



Replacement Handle Assembly

for Part No. 11-2239

Part No. 98-2671

Installation
Instructions

The original handle for lawn mower model 20700 is no longer available. Install the replacement handle provided in the handle kit according to these instructions.

Contents of the Kit

DESCRIPTION	QUANTITY
Upper handle	1
Lower handle	1
Handle latches	2
Long shoulder screws	2
Short shoulder screws	2
Locknuts	6
Spacers	2
Handle pins	2
Handle knobs	2
Handle screws	2

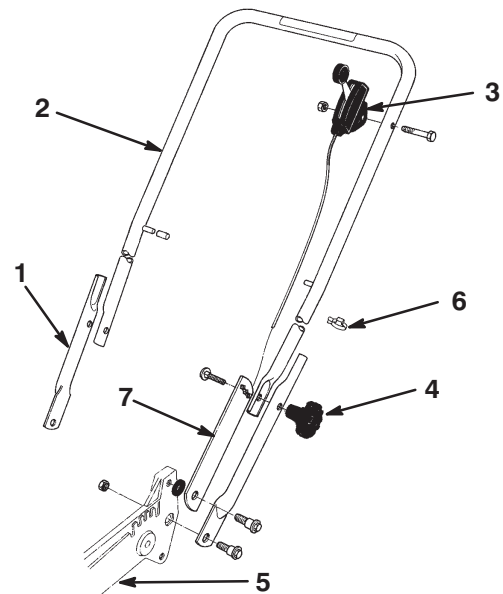


Figure 1

Removing the Original Handle

1. Remove the throttle control from the upper handle (Fig. 1).
2. Remove the cable clip from the handle, and move the throttle control and the throttle cable away from the upper and lower handles (Fig. 1).
3. Remove the knobs and screws that secure the upper handle to the lower handle (Fig. 1).

4. Remove the lower handle from the lawn mower deck (Fig. 1).
5. Remove the handle latches from the lawn mower deck (Fig. 1).
6. Discard the upper and lower handles, the handle latches, the knobs, and the old hardware.

Installing the Replacement Handle

1. Attach the left and right handle latches to the lawn mower deck using the long shoulder screws, spacers, and locknuts as shown in Figure 2.

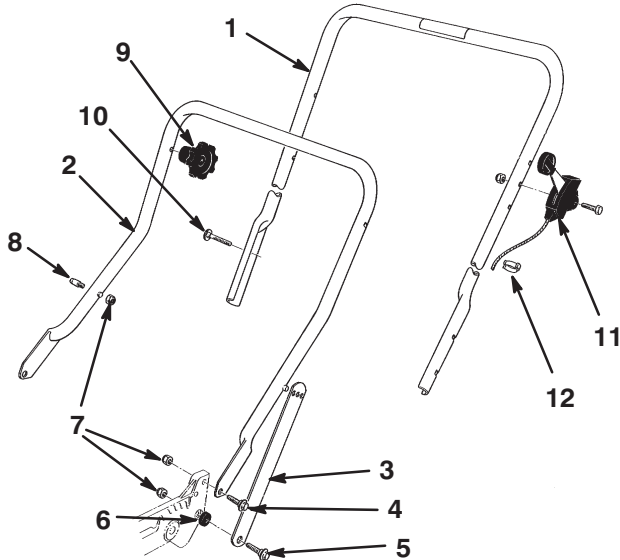


Figure 2

- | | |
|-----------------------------|----------------------|
| 1. Upper handle | 7. Locknuts (6) |
| 2. Lower handle | 8. Handle pin (2) |
| 3. Left handle latch | 9. Handle knob (2) |
| 4. Short shoulder screw (2) | 10. Handle screw (2) |
| 5. Long shoulder screw (2) | 11. Throttle control |
| 6. Spacer (2) | 12. Cable clip (2) |

Note: The right handle latch is not shown in Figure 2 for the purpose of clarity.

2. Install the lower handle on the lawn mower deck using the short shoulder screws and locknuts as shown in Figure 2.
3. Install the handle pins on the lower handle using locknuts as shown in Figure 2.
4. Attach the lower handle to the handle latches using the handle pins and locknuts as shown in Figure 2.
5. Install the upper handle to the lower handle using the handle knobs and handle screws as shown in Figure 2.
6. Install the throttle control on the upper handle (Fig. 2).
7. Use the cable clips to hold the throttle cable to the upper handle (Fig. 2).