



Count on it.

Parts Catalog

Multi Pro® 5800-G

Turf Sprayer with ExcelaRate® Spray System

Model No. 41394CA—Serial No. 400000000 and Up



Ordering Replacement Parts

To order replacement parts, please supply the part number, the quantity, and the description of each part desired.

Understanding Reference Numbers

Each identified part in an illustration has a reference number. The reference number for a part also appears in the parts list, along with other information about the part.

This catalog uses two special reference number formats, one to indicate parts in a service assembly and another to indicate the quantity of a given part in an illustration.

Service Assembly Reference Numbers

Parts in service assemblies have reference numbers in the form a:b. The a represents the reference number of the entire service assembly and the b represents a sequential number unique to each part within the service assembly.

For example, a wheel assembly might be identified by reference number 6, the tire by 6:1, the valve by 6:2, and the wheel by 6:3. When you order the assembly identified by reference number 6, you receive all parts identified by reference numbers 6:1, 6:2, and 6:3. However, you may also order any part individually. Reference numbers of this type appear in illustration and in parts lists.

Reference Numbers Indicating Quantity

In an illustration, if a reference number indicates more than one part, the reference number has the form nX y. The n represents the quantity of the part, the X is the multiplication symbol, and the y represents the reference number.

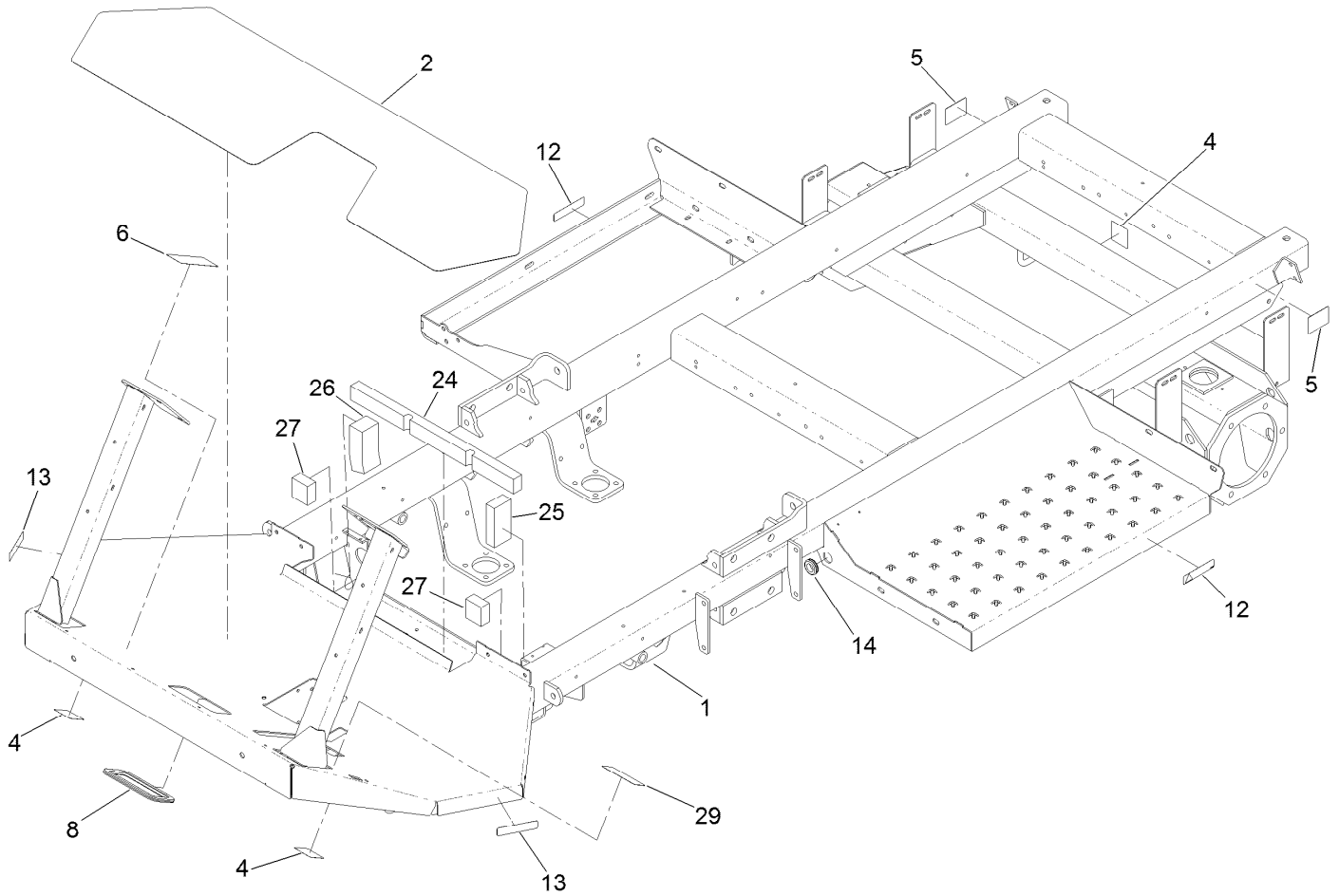
For example, in an illustration, the reference number 2X 37 means that two of the parts identified by reference number 37 are indicated.

Contents

Frame and Step Assembly	5
Front Axle Assembly	6
Cylinder Assembly No. 138-6102	8
Hub Assembly No. 119-6003	9
Front Suspension Assembly	10
Seat Base Assembly	11
Seat, Fresh Water Tank and Roll-Over Protection System Assembly	12
Control Console Assembly	14
Brake Pedal Assembly	15
Traction Pedal Assembly	16
Throttle Assembly	17
Dash Panel Assembly	18
Hood and Fender Assembly	19
Engine Mounting and Bell Housing Assembly	20
Muffler and Air Cleaner Assembly	21
Air Cleaner Assembly No. 106-5277	23
Engine and Shroud Assembly	24
Fuel Tank Assembly	25
Radiator Assembly	26
Hydraulic Pump and Filter Assembly	28
Piston Pump Assembly No. 117-0685	30
Control Assembly No. 115-4446	32
Tandem Pump Assembly No. 138-6193	33
Hydraulic Tank Assembly	34
Hydraulic Pump and Filter Assembly	35
Pump Control Valve Assembly No. 117-0708	37
Steering Hydraulic Assembly	38
Steering Valve Assembly No. 137-7509	39
Boom Lift Assembly	40
Hydraulic Cylinder Assembly No. 117-0701	41
On-Off Boom Lift Valve Assembly No. 136-2400	42
Rear Drive Assembly	43
Planetary Assembly No. 136-2913	45
RH Brake Assembly No. 100-3069	46
LH Brake Assembly No. 100-3070	47
Hydraulic Motor Assembly No. 132-5631	48
Hydraulic Motor Assembly No. 136-2373	49
Electrical Assembly	50
Tank and Saddle Assembly	51
Tank Assembly No. 117-8005	52
Spray Tank Lid Assembly No. 138-6283	53
Bypass Hose Assembly No. 132-4297	54
Tank Mounting and Filter Assembly	55
Filter Assembly No. 130-7096	56
Spray System Hose Assembly	57
Spray Pump and Valve Assembly	59
Spray Manifold Assembly	61
Flow Meter Assembly No. 138-6128	62
Manifold Valve Kit No. 131-7256	63
Manifold Valve Kit No. 131-0253	64
Pressure Filter Assembly No. 131-3791	65
On/Off Manifold Valve Kit No. 127-9803	66
On/Off Actuator Kit No. 131-3723	67
Bypass Valve Assembly No. 127-9805	68

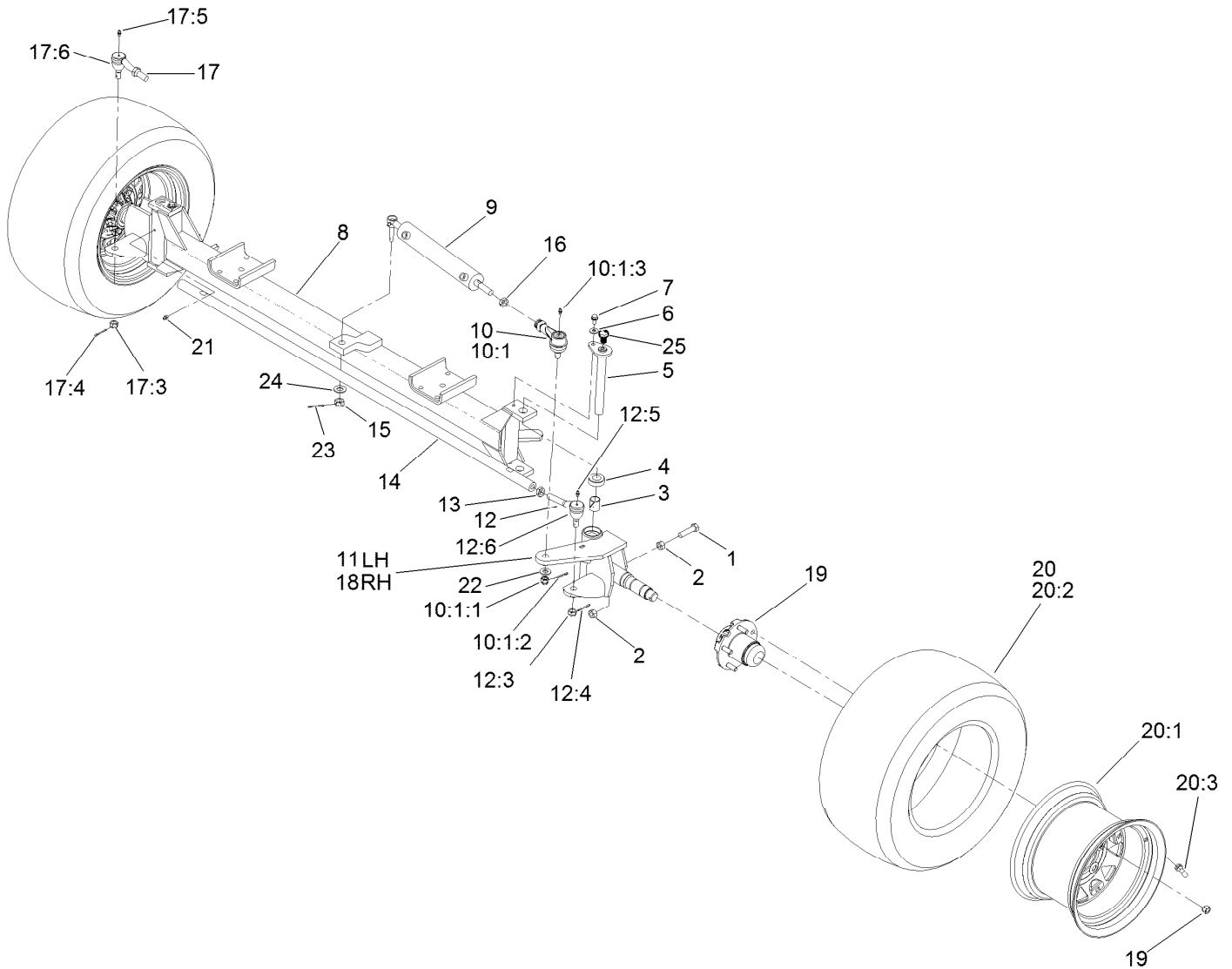
Contents (continued)

On/Off 2-Way Valve Kit No. 131-0249	69
Pump Assembly No. 137-4230	70
Agitation Hose Assembly No. 139-3093	71
Hydraulic Motor Assembly No. 117-0706	72
Center Boom Assembly	73
RH Single Body Turret Assembly No. 108-3726	75
Double Turret Body Assembly No. 108-3727	76
LH Single Turret Body Assembly No. 108-3725	77
Left and Right Hand Boom Assembly	78
Crankcase Assembly	79
Oil Pan Assembly	80
Cylinder Head Assembly	81
Gear Case and Oil Filter Cartridge Assembly	82
Cylinder Head Cover Assembly	83
Oil Dipstick and Guide Assembly	84
Main Bearing Case Assembly	85
Cam Shaft and Idle Gear Assembly	86
Piston and Crankshaft Assembly	87
Flywheel and Sensor Switch Assembly	88
Ignition Coil and Delivery Pipe Assembly	89
Engine Covers Assembly	90
Solenoid Cover and Hydraulic Pump Cover	91
Alternator, Pulley and Fan Assembly	92
Alternator Assembly No. 131-9567	93
Starter Installation Assembly	94
Starter Components Assembly	95
Water Flange and Thermostat Assembly	96
Water Pump Assembly	97
Valve and Rocker Arm Assembly	98
Inlet Manifold Assembly	99
Exhaust Manifold Assembly	100
Wire Harness Assembly	101
Electronic Control Unit Assembly	102
Miscellaneous Engine Parts	103
Attachments and Accessories	104



Frame and Step Assembly

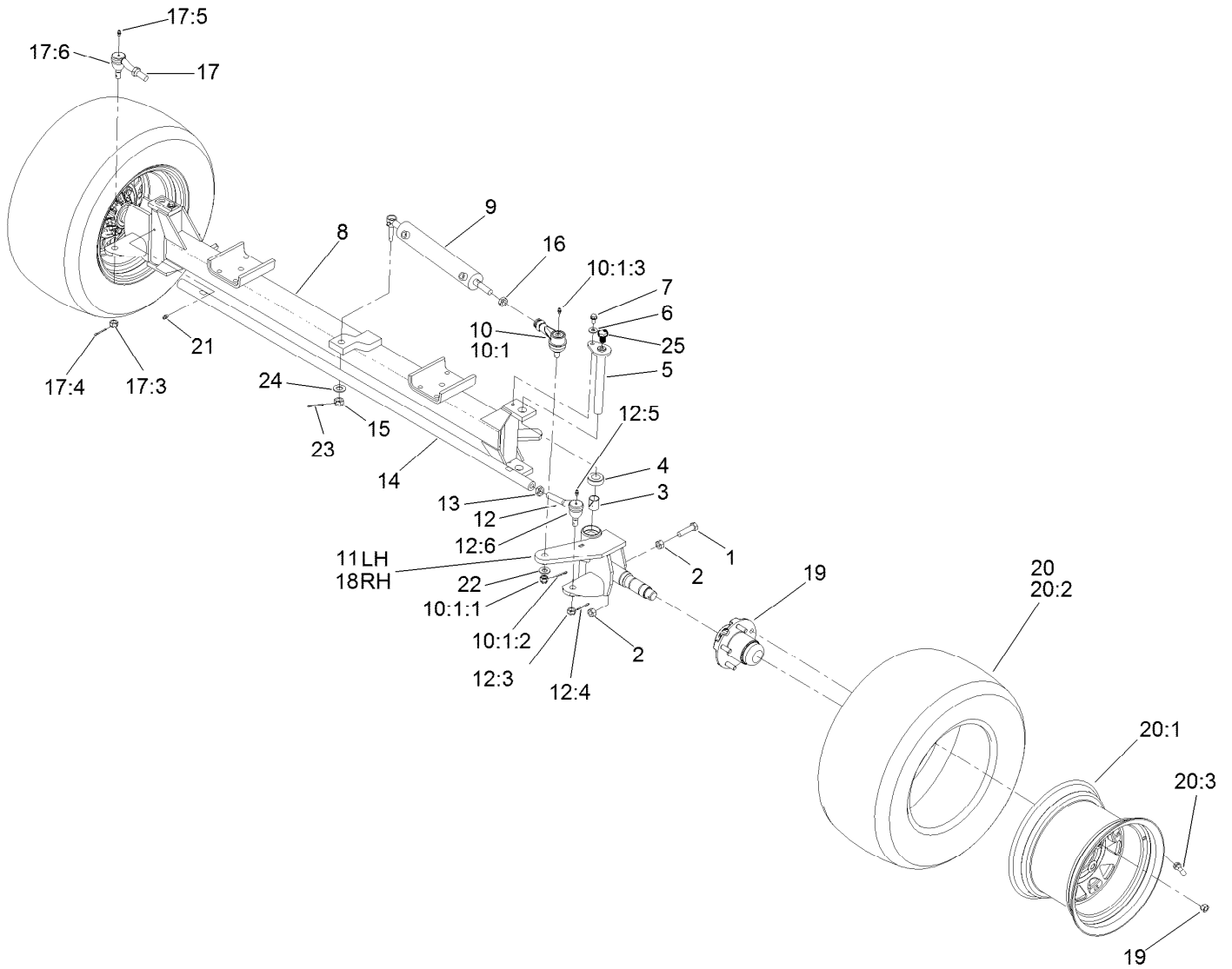
<i>Ref.</i>	<i>Part Number</i>	<i>Qty.</i>	<i>Description</i>
1	130-7070-03	1	Frame
2	104-8863	1	Tread-Floor
4	120-0623	3	Decal-Tie Down, Towing
5	107-8667	2	Decal-Jacking
6	107-8724	1	Decal-Traction
8	119-0599	1	Trim-Seal
12	107-8732	2	Decal-Torque (CE)
13	107-8731	2	Decal-Torque (CE)
14	240-6	1	Grommet-Rubber
24	131-5751	1	Foam-Seal
25	131-5752	1	Foam-Seal
26	131-5753	1	Foam-Seal
27	131-5754	2	Foam-Seal
29	136-2351	1	Decal-Brake, Parking



Front Axle Assembly

Ref.	Part Number	Qty.	Description	Ref.	Part Number	Qty.	Description
1	01-182-0816	2	Bolt-HH	12:5	302-5	1	Fitting-Grease
2	3217-9	4	Nut-HH	12:6	107-1587	1	Seal
3	93-6586	4	Bushing	13	3218-21	1	Nut-Jam
4	93-6587	2	Bearing	14	93-6588	1	Rod-Steering
5	138-6177	2	Pin-King	15	32136-13	1	Nut-SHH
6	3256-3	2	Washer-Flat	16	3220-11	2	Nut-Jam
7	32144-14	2	Screw-HWHTF	17	87-1480-03	1	End-Tie Rod, RH
8	138-9615-03	1	Front Axle ASM	17:3	32136-3	1	Nut-SHH
9	138-6102	1	Cylinder ASM	17:4	3272-12	1	Pin-Cotter
10	93-6509-03	1	Tie Rod End ASM	17:5	302-5	1	Fitting-Grease
10:1		1	End-Tie Rod ●	17:6	107-1587	1	Seal
10:1:1	137-4176	1	Nut-Hex, Slotted	18	117-5897-03	1	Spindle-RH
10:1:2	3272-12	1	Pin-Cotter	19	119-6003	2	Hub ASM
10:1:3	302-5	1	Fitting-Grease	20	127-1100	2	Wheel And Tire ASM
11	138-6244-03	1	Spindle-LH	20:1	125-5899	1	Wheel
12	87-1470-03	1	End-Tie Rod, LH	20:2	120-2114	1	Tire-Smooth
12:3	32136-3	1	Nut-SHH	20:3	232-27	1	Stem-Valve
12:4	3272-12	1	Pin-Cotter	21	302-5	2	Fitting-Grease

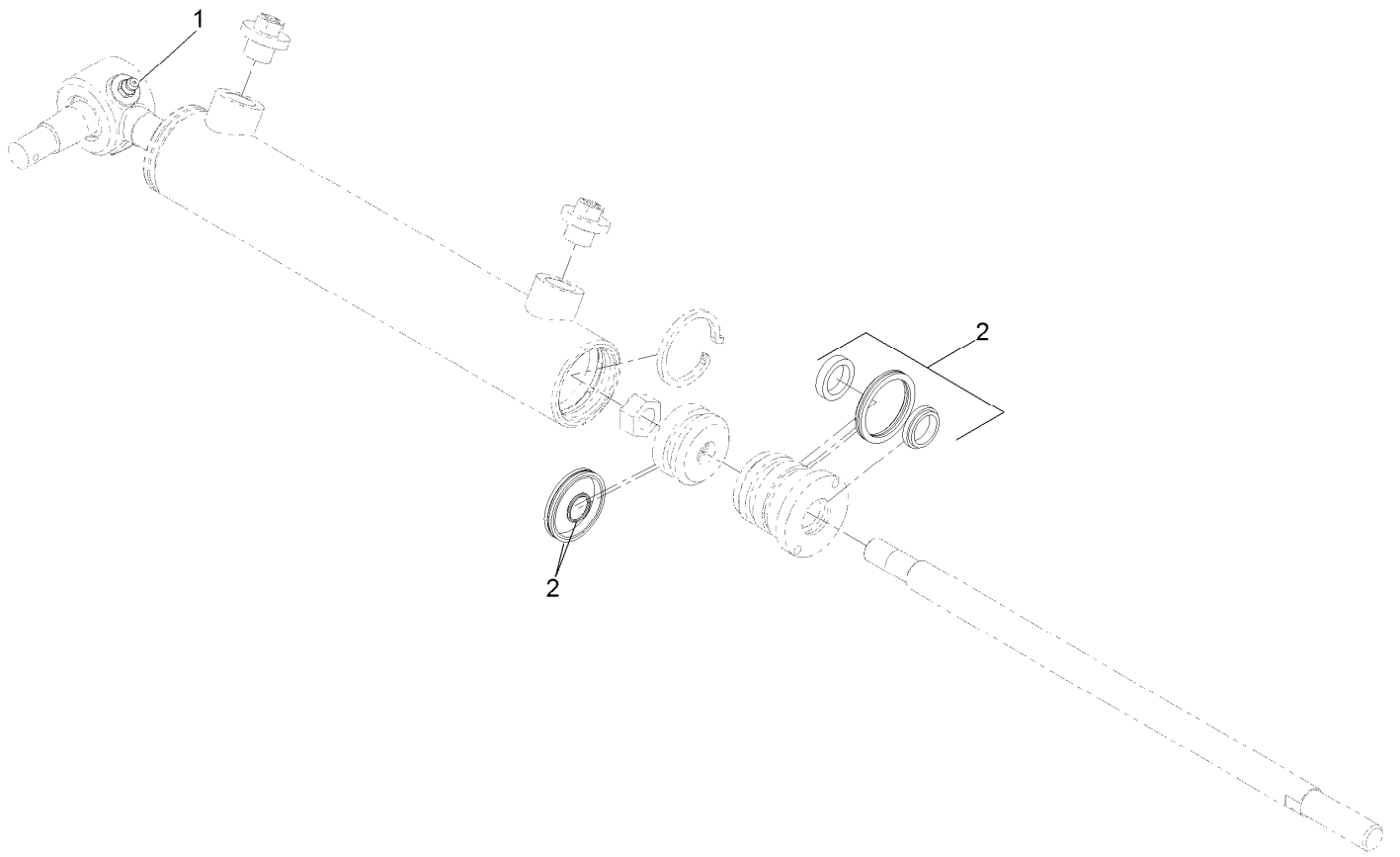
● Not serviced separately



Front Axle Assembly (continued)

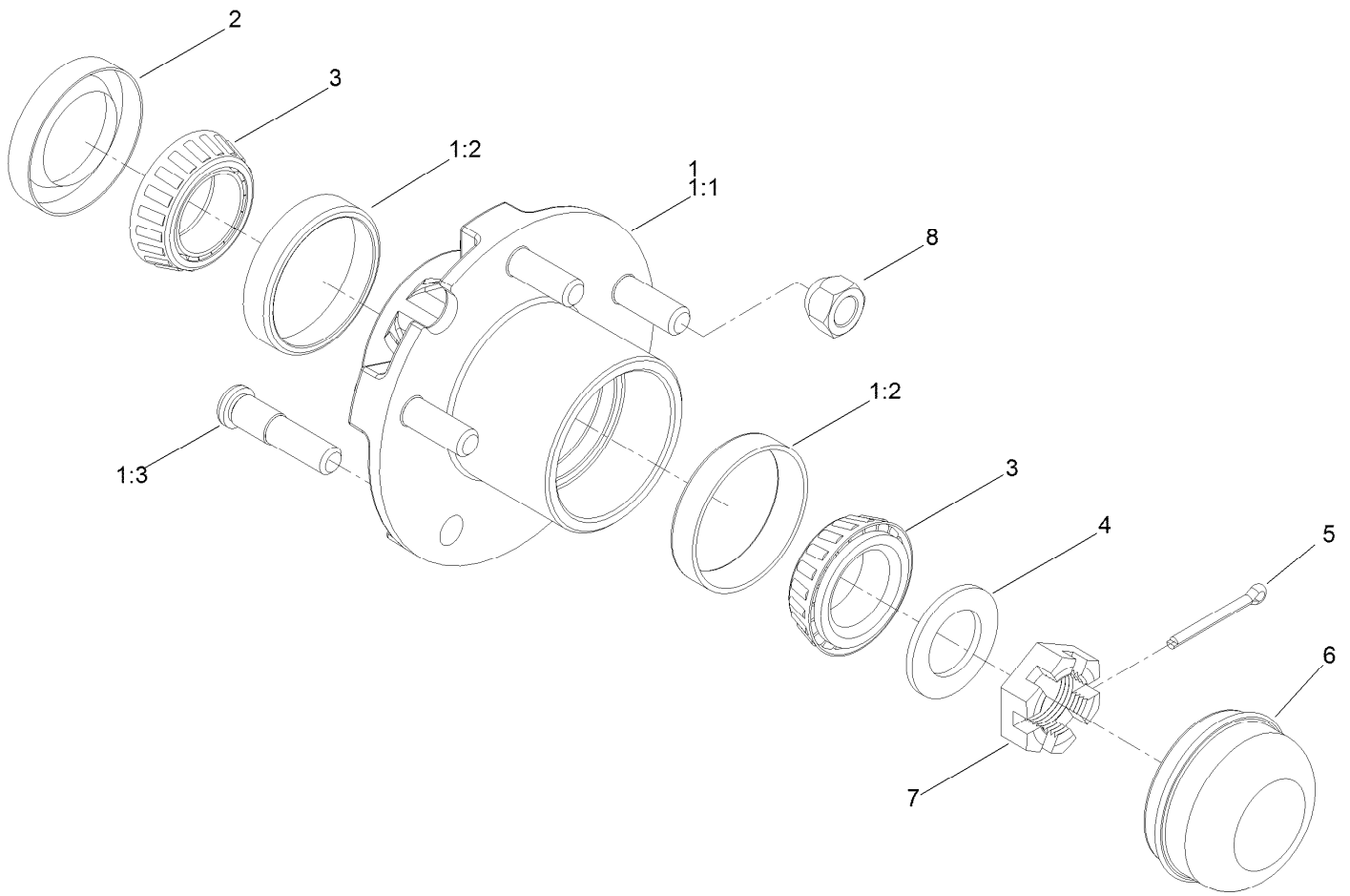
<i>Ref.</i>	<i>Part Number</i>	<i>Qty.</i>	<i>Description</i>	<i>Ref.</i>	<i>Part Number</i>	<i>Qty.</i>	<i>Description</i>
22	87-7270	1	Washer-Thrust	24	119-1868	1	Washer
23	3272-12	2	Pin-Cotter	25	138-6279	2	Screw-Cap, HH

● Not serviced separately



Cylinder Assembly No. 138-6102

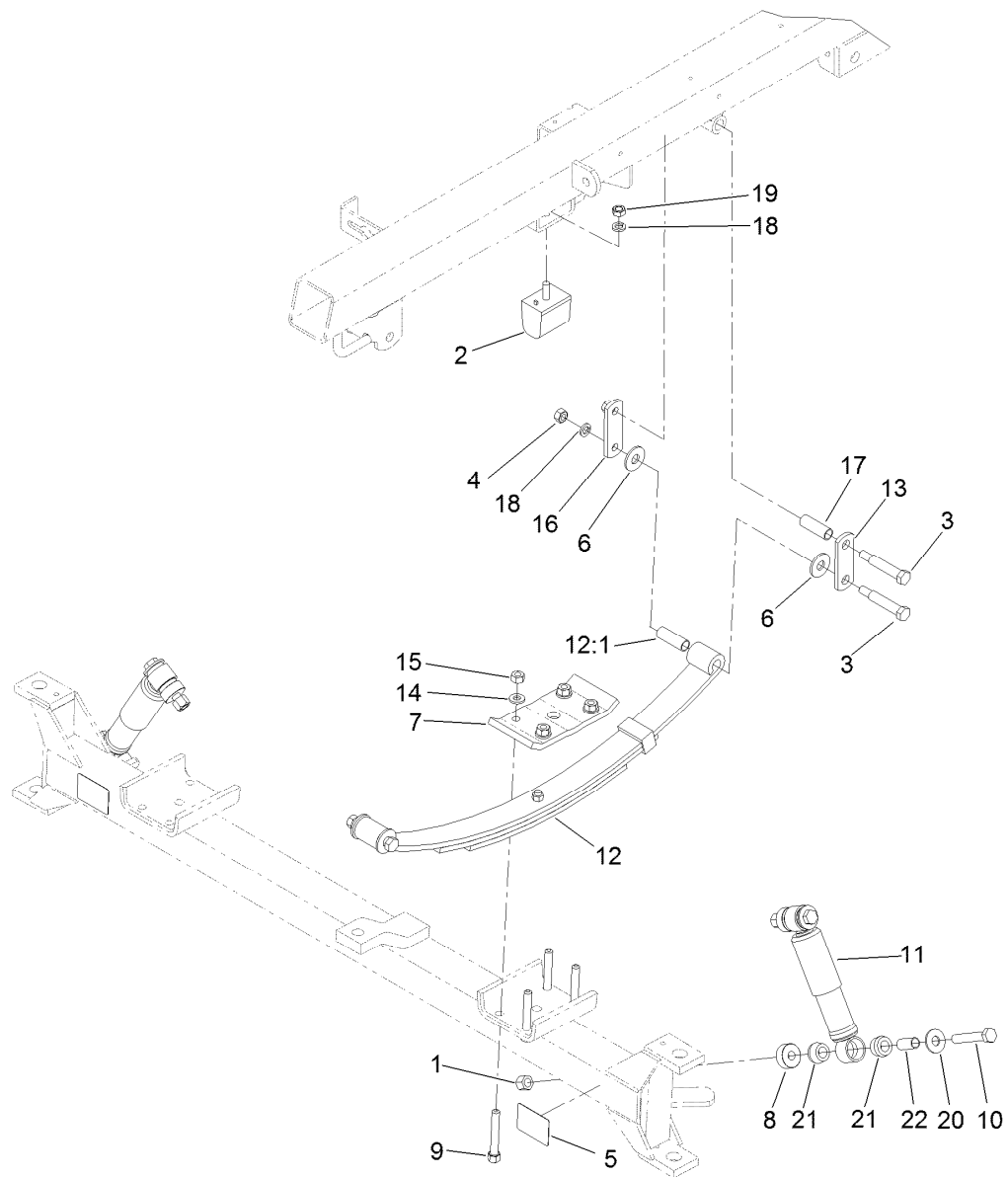
<i>Ref.</i>	<i>Part Number</i>	<i>Qty.</i>	<i>Description</i>
1	302-5	1	Fitting-Grease
2	139-3099	1	Repair Kit, Cylinder



Hub Assembly No. 119-6003

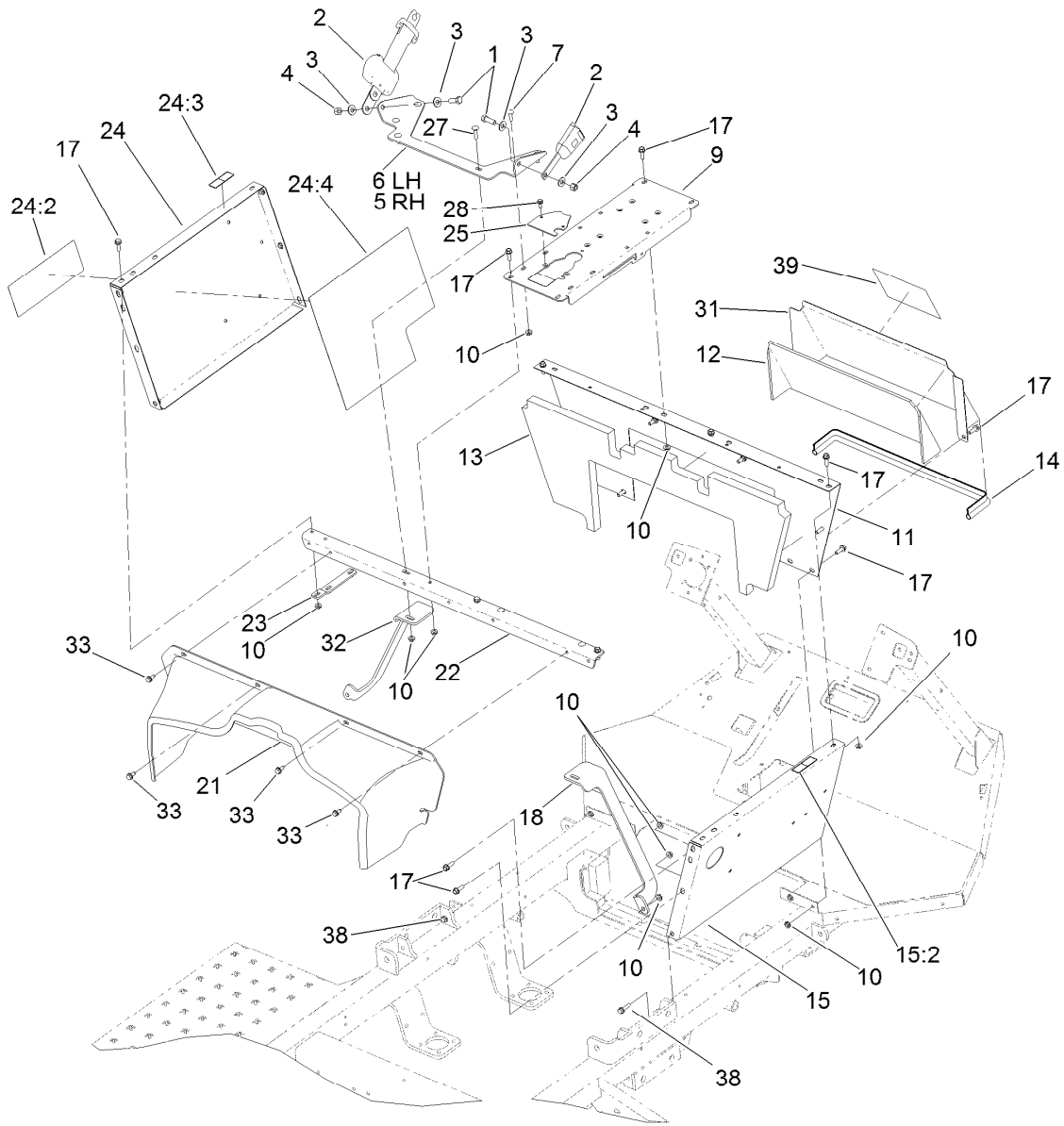
<i>Ref.</i>	<i>Part Number</i>	<i>Qty.</i>	<i>Description</i>
1	119-6001	1	Hub ASM
1:1		1	Hub ●
1:2	115-9471	2	Bearing-Cup
1:3	69-2990	5	Stud-Wheel
2	94-7285	1	Seal
3	254-62	2	Bearing-Roller, Cone
4	85-5770	1	Washer-Thrust
5	3272-18	1	Pin-Cotter
6	119-6004	1	Cap-Dust
7	119-6005	1	Nut-Slotted, Hex
8	242-35	5	Nut-Wheel

● Not serviced separately



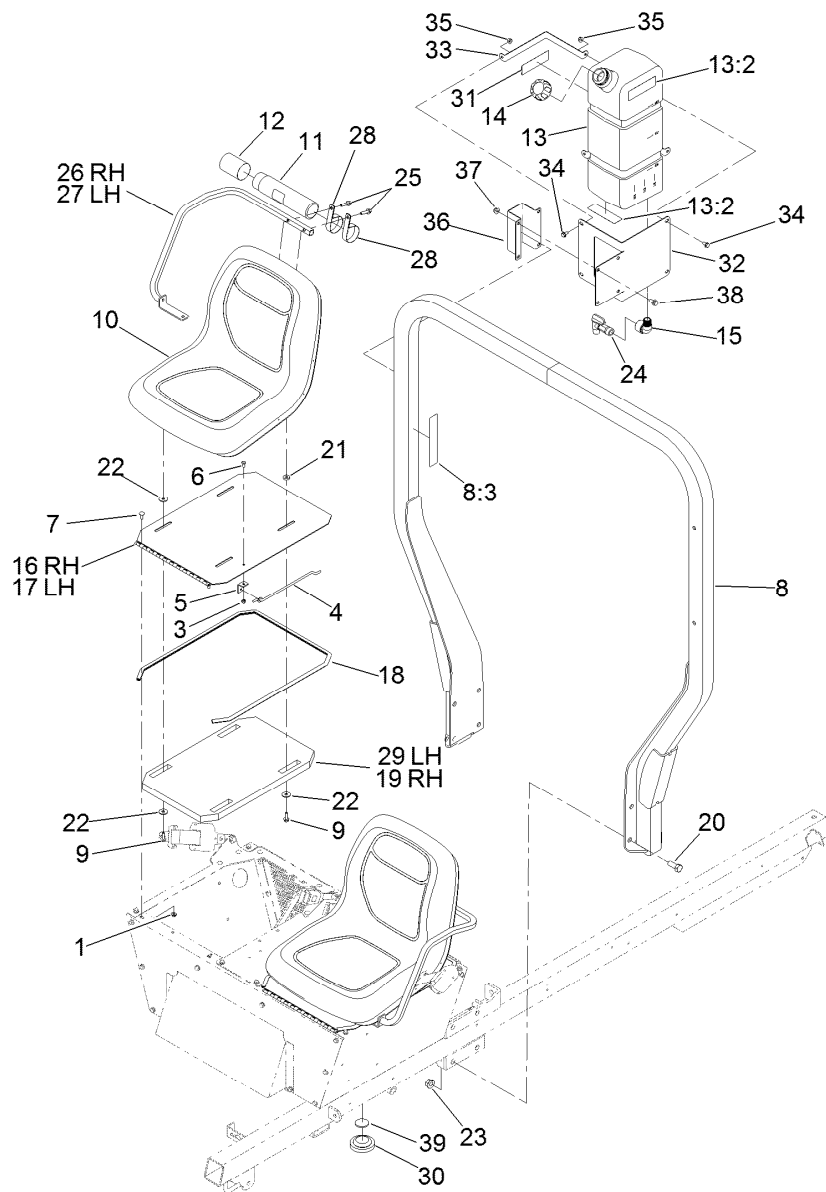
Front Suspension Assembly

Ref.	Part Number	Qty.	Description	Ref.	Part Number	Qty.	Description
1	3296-23	4	Nut-Lock, NI	12:1	119-9437	2	Bushing-Spring, Leaf
2	87-3470	2	Bumper	13	42574	2	Shackel-Outside
3	110-5072	6	Bolt-Shoulder	14	87-7480	8	Washer
4	3217-8	6	Nut-Hex	15	106-0327	8	Nut-Hex
5	107-8667	2	Decal-Jacking	16	42576	2	Shackel-Inside
6	93-6161	8	Washer	17	42592	2	Bushing-Shackle
7	121-5089-03	2	Plate-Top, Spring	18	3253-6	8	Washer-Lock
8	127-2913	4	Spacer	19	93-6166	2	Nut-Hex
9	26-0672	8	Bolt-Blade	20	3256-6	4	Washer-Flat
10	325-12	4	Screw-HH	21	87-3920	8	Bushing
11	121-9774	2	Absorber-Shock	22	127-2925	4	Sleeve
12	99-0569	2	Spring Leaf				



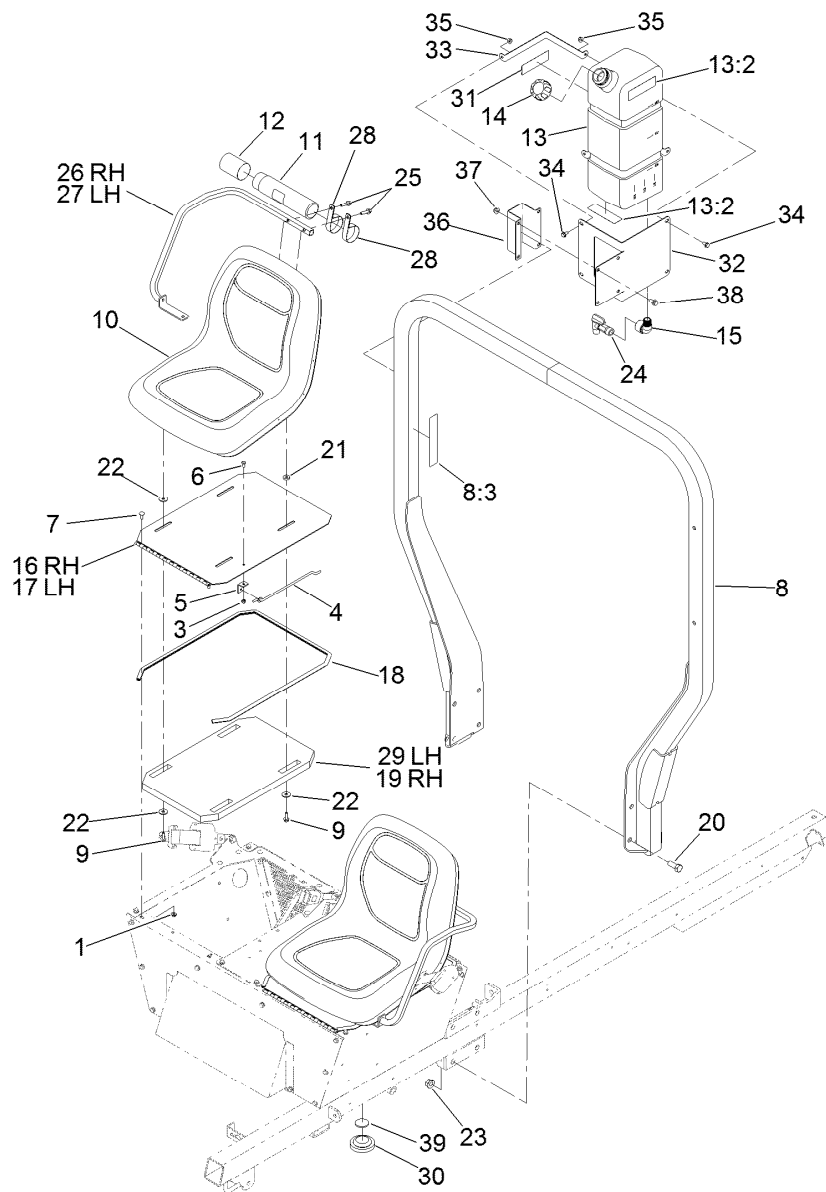
Seat Base Assembly

<i>Ref.</i>	<i>Part Number</i>	<i>Qty.</i>	<i>Description</i>	<i>Ref.</i>	<i>Part Number</i>	<i>Qty.</i>	<i>Description</i>
1	324-5	4	Screw-HH	21	132-7660	1	Cover-Engine
2	110-0413	2	Seatbelt-Retractable	22	119-5025-03	1	Angle-Seat Box
3	3256-4	8	Washer-Flat	23	95-2264-03	2	Strap-Support, Belt
4	3296-48	4	Nut-Hex	24	131-5788	1	LH Seat Box Panel ASM
5	121-5071-03	1	Bracket-Seat Belt, RH	24:2	120-0619	1	Decal-Warning
6	121-5072-03	1	Bracket-Seat Belt, LH	24:3	120-0625	1	Decal-Warning
7	3230-22	10	Screw-CARR	24:4	131-5806	1	Shield-Heat Tape, Seatbase (LH)
9	132-7667-03	1	Base-Console	25	132-7705-03	1	Retainer-Harness, Base
10	32128-20	38	Nut-HF	27	3230-3	2	Screw-CARR
11	130-7107-01	1	Panel-Front, Seatbase	28	119-4012	2	Screw-HWHTF
12	130-7132	1	Barrier-Noise, Access Panel	31	130-7119-01	1	Panel-Access, Seatbase
13	130-7135	1	Barrier-Noise, Front Panel	32	107-8730-03	1	Support-LH
14	131-3282	1	Trim	33	32144-70	4	Screw-HWHTF
15	130-7104	1	Panel-Seatbase, RH	38	3234-36	2	Screw-HHF
15:2	120-0625	1	Decal-Warning	39	139-3065	1	Decal-Service
17	3234-17	20	Screw-HHF				
18	107-8729-03	1	Support-RH				



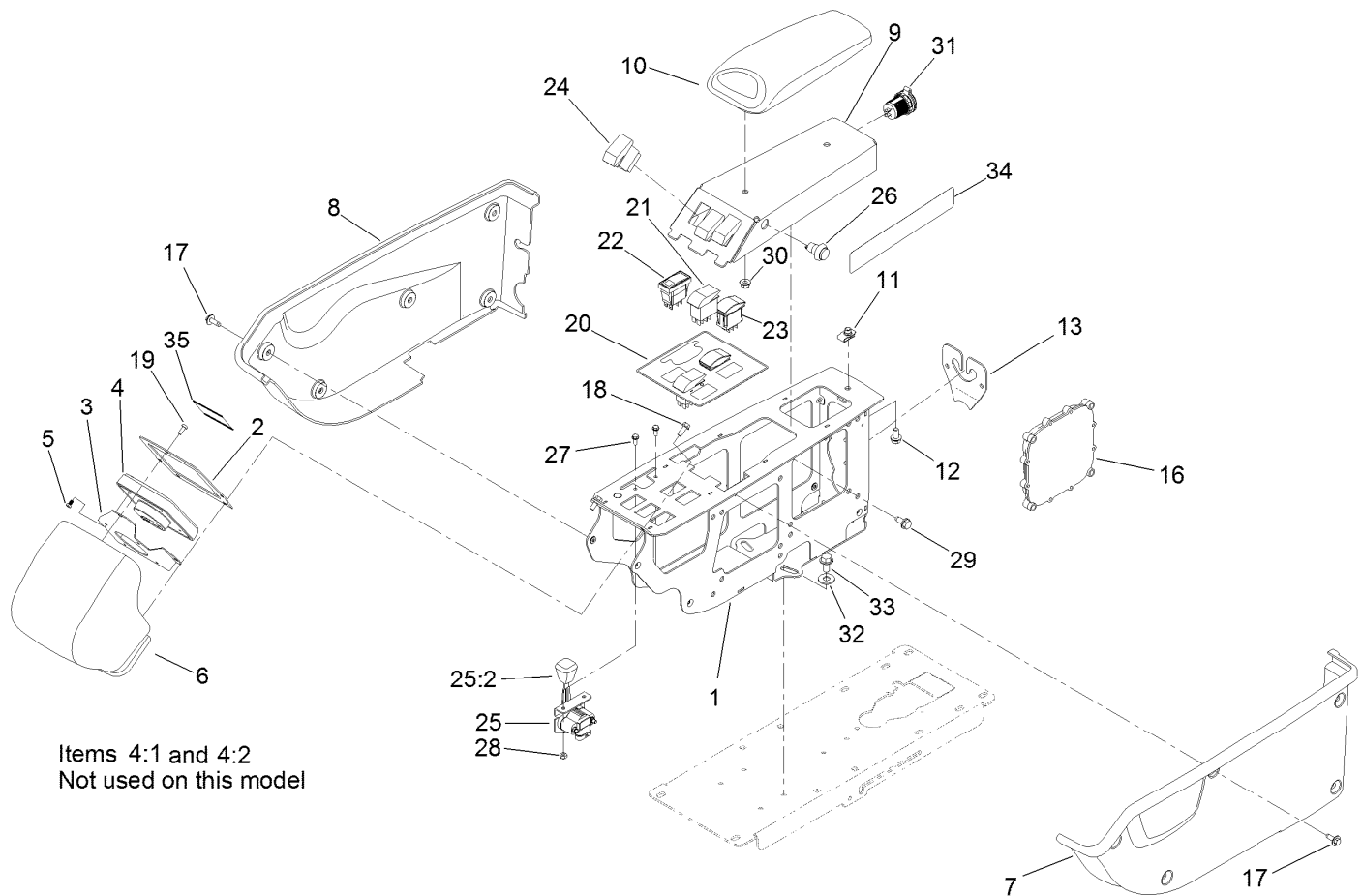
Seat, Fresh Water Tank and Roll-Over Protection System Assembly

<i>Ref.</i>	<i>Part Number</i>	<i>Qty.</i>	<i>Description</i>	<i>Ref.</i>	<i>Part Number</i>	<i>Qty.</i>	<i>Description</i>
1	32128-20	4	Nut-HF	19	108-3290	1	Barrier-Noise, Seat
3	3296-42	2	Nut-Lock, NI	20	327-4	8	Screw-HH
4	94-7204	2	Rod-Prop, Seat	21	7-0081	6	Washer-Flat
5	94-7203	2	Bracket	22	52-2861	10	Washer
6	321-3	2	Screw-HH	23	32128-50	8	Nut-Flange
7	3230-23	4	Screw-CARR	24	100-7011	1	Spigot-90 DEG
8	119-0589	1	ROPS ASM	25	33104-035	4	Screw-HHF
8:3	117-4955	1	Decal-Danger, ROPS (CE)	26	119-0732-03	1	Armrest-RH
9	33104-025	8	Screw-HHF	27	119-0731-03	1	Armrest-LH
10	112-2923	2	Seat ASM	28	2412-133	2	Clamp-R
11	104-7050	1	Tube-Manual	29	132-7666	1	Barrier-Noise, Seat
12	104-7048	1	Cap-Housing	30	100-3524	1	Switch-Seat
13	132-7745	1	Fresh Water Tank ASM	31	120-0616	1	Decal-Water, Fresh
13:2	120-0616	3	Decal-Water, Fresh	32	132-5619-03	1	Mount-Tank, Eye Wash
14	106-5052	1	Cap-Water, Fresh	33	132-7628-03	2	Band-Tank, Eye Wash
15	132-7706	1	Elbow-90 DEG	34	3234-7	4	Screw-HHF
16	108-3289-03	1	Panel-Seat, RH	35	104-8300	4	Nut-HF, NI
17	132-7664-03	1	Panel-Seat, LH	36	132-7627-03	1	Clamp-Bracket, Fresh Water Tank
18	94-7085	2	Trim				



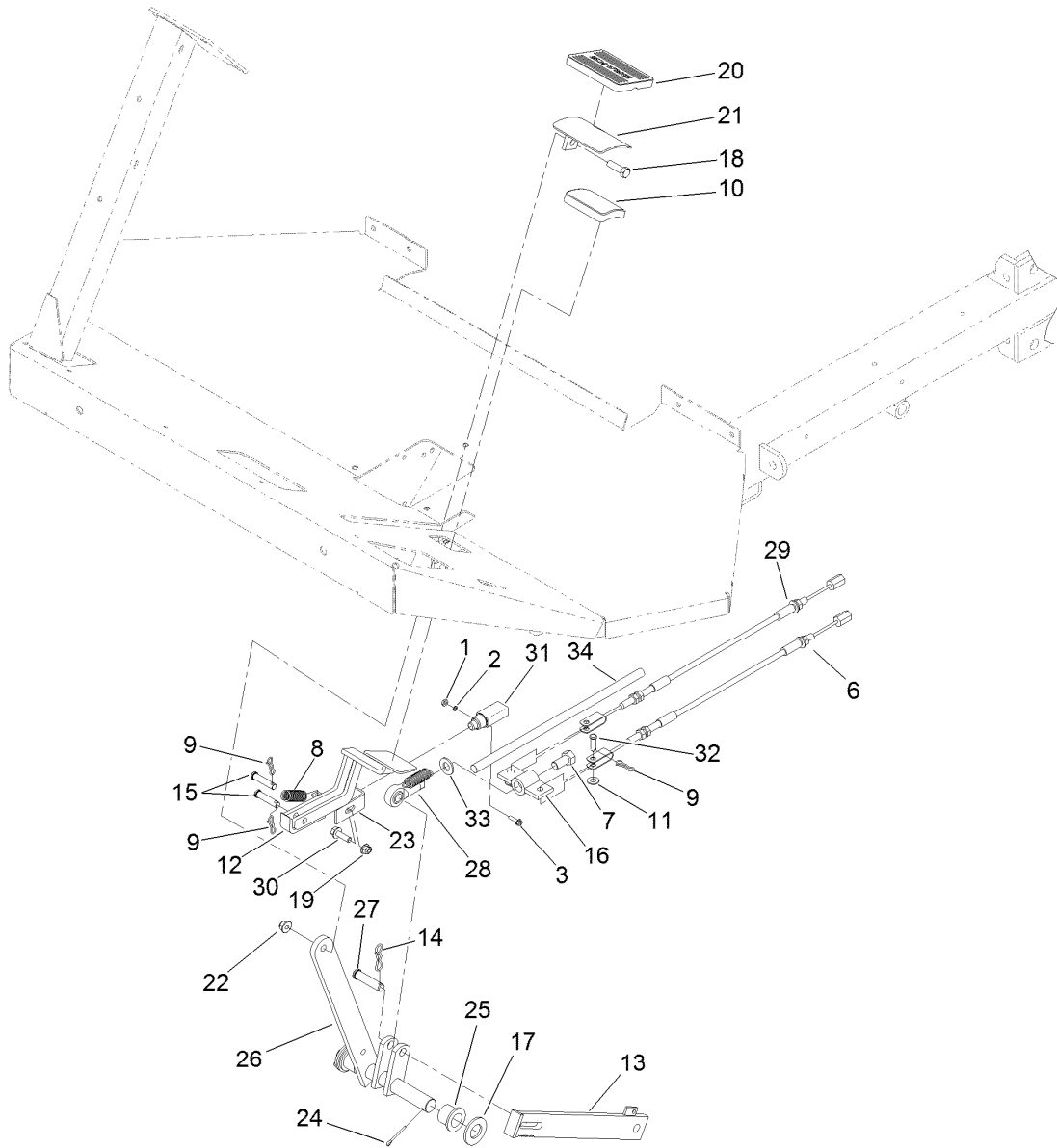
Seat, Fresh Water Tank and Roll-Over Protection System Assembly (continued)

<i>Ref.</i>	<i>Part Number</i>	<i>Qty.</i>	<i>Description</i>	<i>Ref.</i>	<i>Part Number</i>	<i>Qty.</i>	<i>Description</i>
37	104-8301	4	Nut-HF, NI	38	3234-1	4	Screw-HHF
				39	133-2797	1	Disc-Plunger



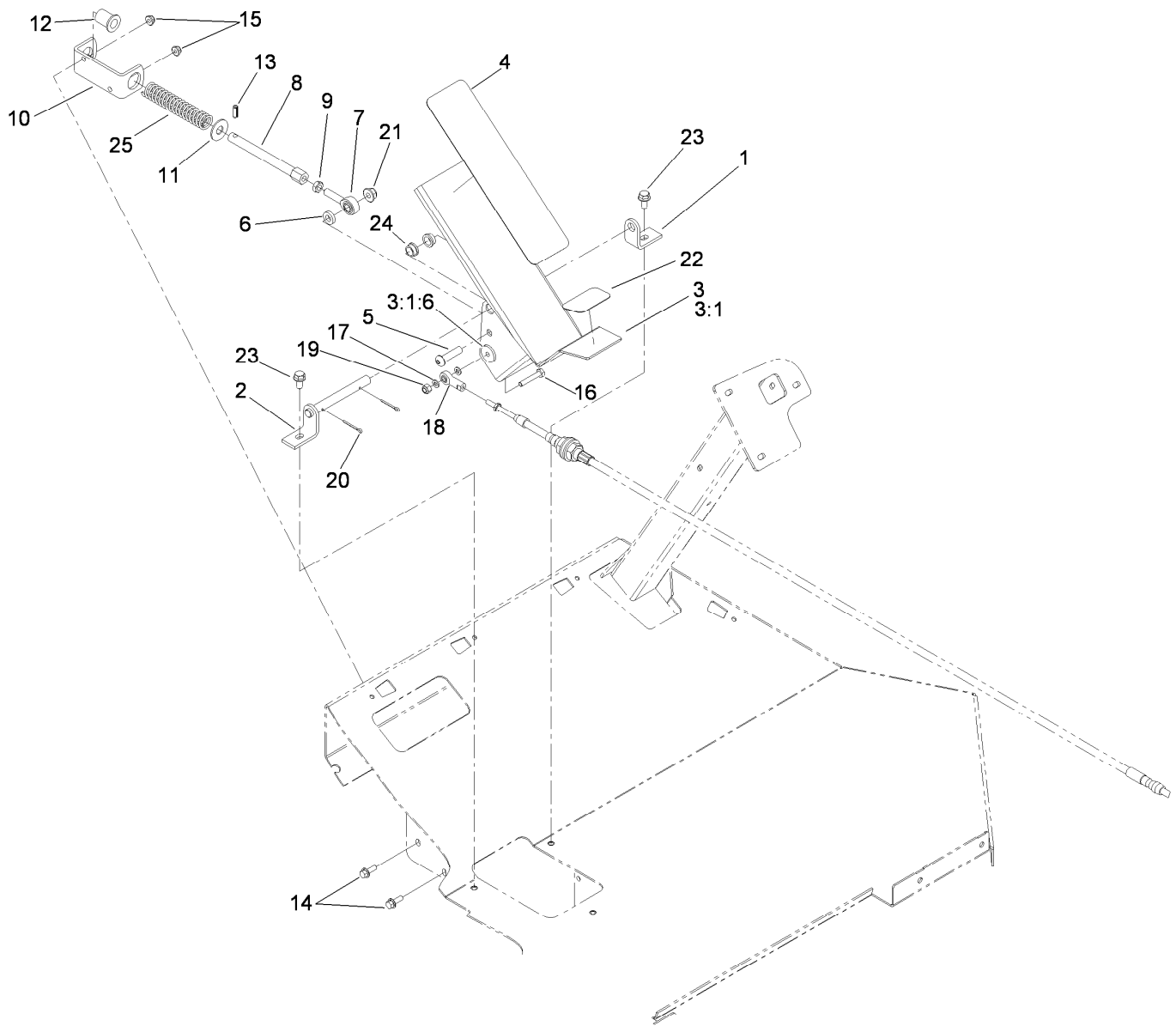
Control Console Assembly

Ref.	Part Number	Qty.	Description	Ref.	Part Number	Qty.	Description
1	132-5640-03	1	Frame-Console	20	132-7695	1	Decal-Console
2	132-7615-03	1	Plate-Monitor	21	100-8490	2	Switch-Rocker, On-None-On
3	132-7610-03	1	Retainer-Monitor	22	104-9007	1	Switch-Rocker
4	125-5320	1	Infocenter	23	100-1535	2	Switch-Rocker, (On)-Off-(On)
4:1	115-8884	4	Nut-Thumb	24	95-8999	3	Switch
4:2	115-8885	4	Stud	25	122-0111	1	Throttle-Electronic
5	132-7668	4	Screw-PPH	25:2	66-0120	1	Knob
6	132-7617	1	Hood-Console	26	125-7996	1	Switch-Pb, Momentary
7	132-7611	1	Cover-LH	27	3290-321	2	Screw-HWH
8	132-7612	1	Cover-RH	28	3296-2	2	Nut-Lock, NI
9	132-5645-03	1	Panel-Arm	29	32144-70	4	Screw-HWHTF
10	131-9637	1	Armrest-Quick Find	30	104-8300	2	Nut-HF, NI
11	112-3306	1	Nut	31	131-8388	1	Socket-USB
12	3234-14	1	Screw-HHF	32	3256-4	3	Washer-Flat
13	132-7704-03	1	Retainer-Harness, Console	33	110-9380	3	Screw-HWH
16	114-3321	1	Controller-Tec	34	132-7786	1	Decal-Quickfind
17	119-4012	12	Screw-HWHTF	35	114-5554	1	Decal-Center, Info
18	32144-85	2	Screw-HWH				
19	3250-12	3	Screw-PPH				



Brake Pedal Assembly

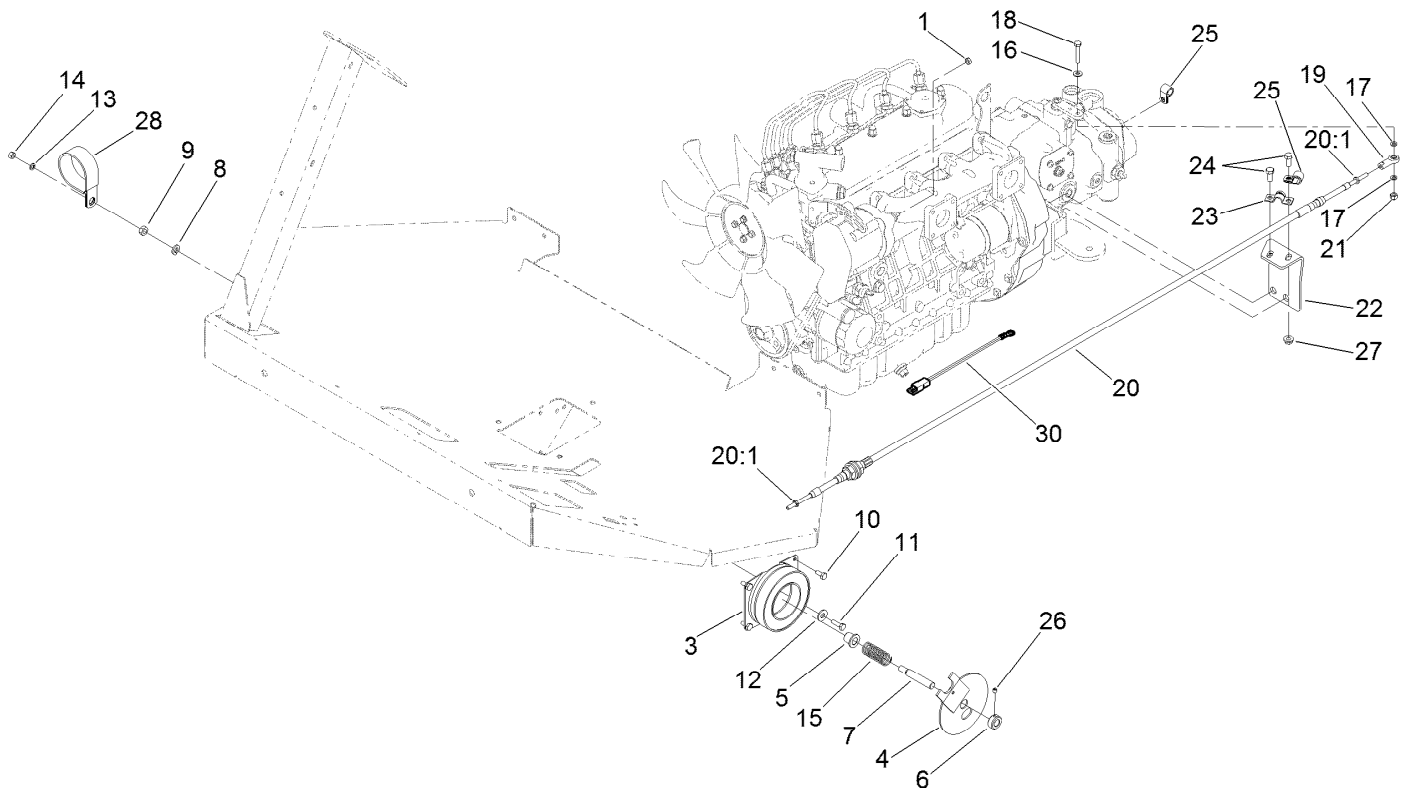
Ref.	Part Number	Qty.	Description	Ref.	Part Number	Qty.	Description
1	3217-26	2	Nut-Hex	19	104-8300	1	Nut-HF, NI
2	3253-17	2	Washer-Lock	20	7-3900	1	Pad-Brake
3	32105-13	2	Screw-HWH	21	100-8422-03	1	Bracket-Pedal
6	119-9364	1	Cable-Brake, LH	22	104-8301	1	Nut-HF, NI
7	3213-1	1	Screw-HH	23	93-6592-03	1	Bracket
8	92-0417	2	Spring-EXT	24	3272-12	2	Pin-Cotter
9	119-1415	4	Pin-Cotter, Locking	25	94-7164	2	Bearing
10	42719	1	Pad-Pedal	26	93-6589	1	Shaft-Brake
11	3256-23	2	Washer-Plain	27	42195	1	Pin-Clevis
12	93-6599-03	1	Catch	28	522087	1	Rod-End
13	93-6598-03	1	Strap-Brake	29	119-9365	1	Cable-Brake, RH
14	119-1416	1	Pin-Cotter, Locking	30	3234-17	1	Screw-HHF
15	283-15	2	Pin-Clevis	31	99-7407	1	Switch
16	93-6595	1	Equalizer-Brake	32	283-58	2	Pin-Clevis
17	3256-29	3	Washer-Flat	33	3256-26	1	Washer-Flat
18	323-7	1	Screw-HH	34	130-7176	1	Sleeve-Thermal, Wrap



Traction Pedal Assembly

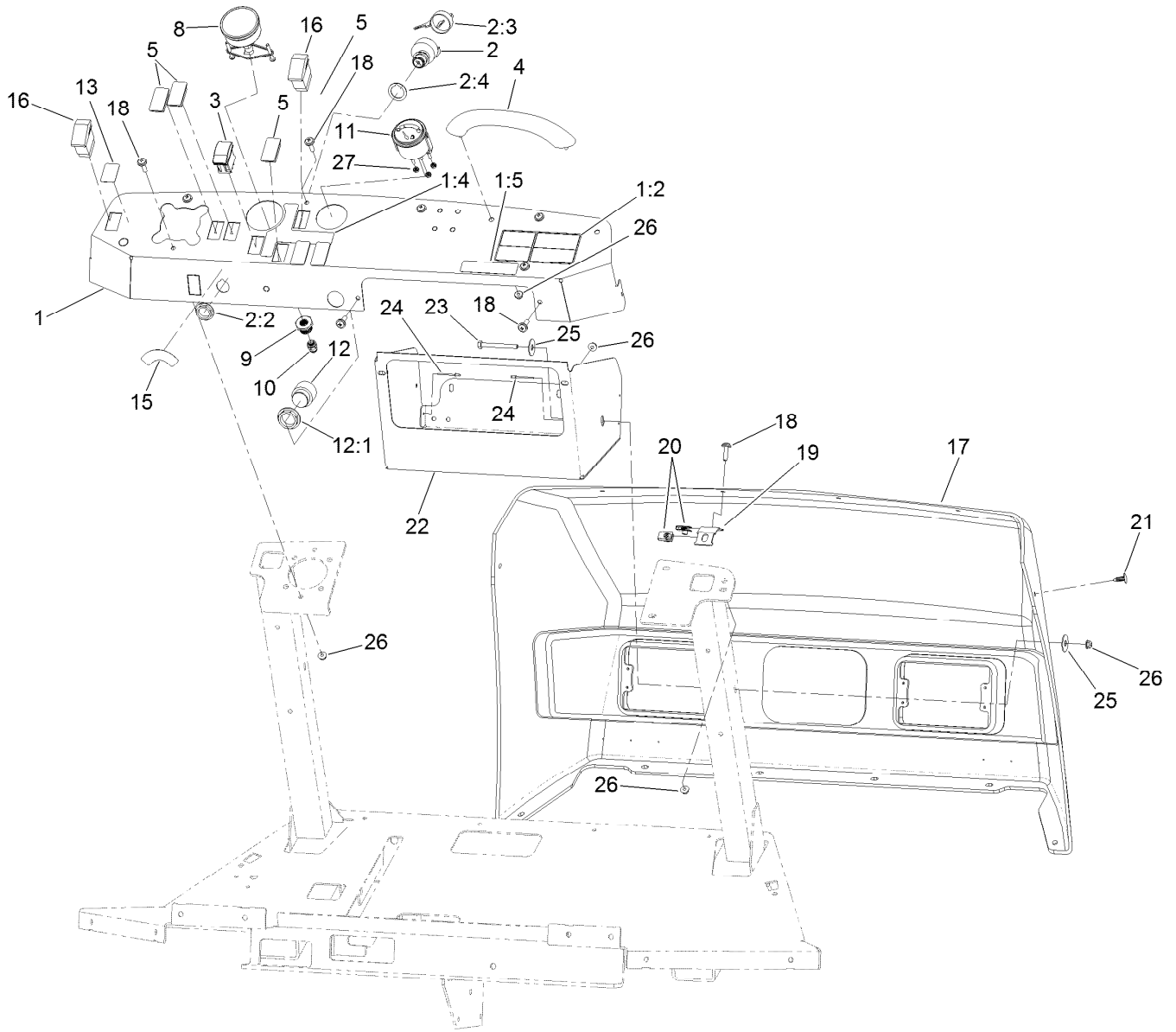
Ref.	Part Number	Qty.	Description	Ref.	Part Number	Qty.	Description
1	92-0450-03	1	Bracket-Pin	13	32121-11	1	Pin-Roll
2	92-0448	1	Pin-Pivot	14	3234-4	2	Screw-HHF
3	106-5247-03	1	Traction Pedal ASM	15	104-7201	2	Nut-HF
3:1		1	Pedal-Traction ●	16	321-9	1	Screw-HH
3:1:6	106-5248	1	Spacer	17	33093-00	2	Washer-Flat
4	71-0440	1	Abrasive-Pedal	18	2411-41	1	Rod End-Ball Joint
5	95-3857	1	Screw-HSBH	19	3296-42	1	Nut-Lock, NI
6	80-7730	1	Spacer	20	3272-7	2	Pin-Cotter
7	2411-36	1	Bearing-End, Rod	21	104-8301	1	Nut-HF, NI
8	92-7609	1	Shaft-Spring	22	71-0450	1	Abrasive-Pedal, Rear
9	3220-3	1	Nut-HJ	23	3234-14	2	Screw-HHF
10	92-7608-03	1	Bracket-Spring	24	256-156	2	Bushing-Flange
11	3256-5	1	Washer-Flat	25	84-9100	1	Spring
12	92-7610	1	Retainer-Spring				

● Not serviced separately



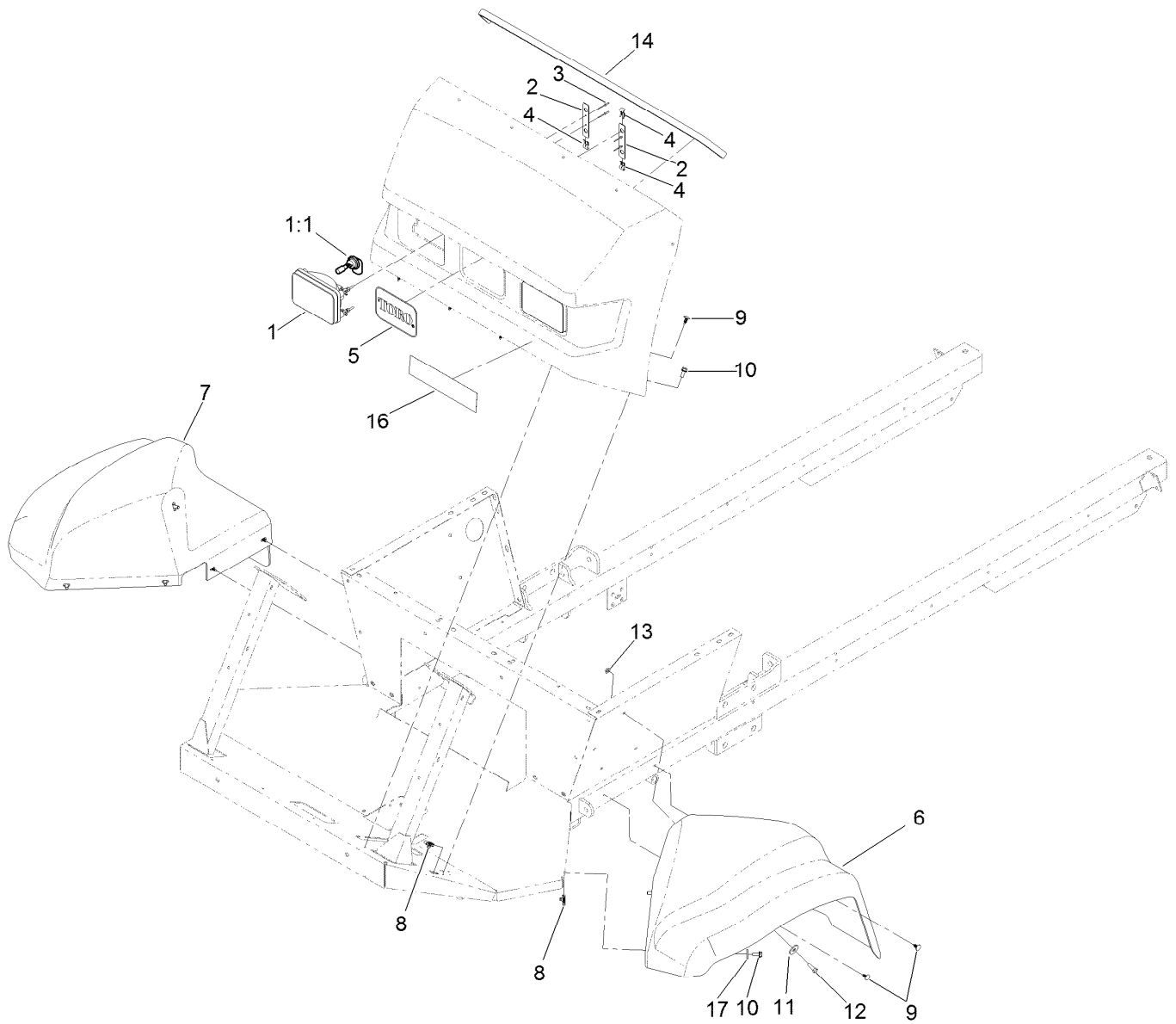
Throttle Assembly

<i>Ref.</i>	<i>Part Number</i>	<i>Qty.</i>	<i>Description</i>	<i>Ref.</i>	<i>Part Number</i>	<i>Qty.</i>	<i>Description</i>
1	33013-00	1	Nut-Hex	17	33093-00	2	Washer-Flat
3	42-1720	1	Core-Field, Coil	18	321-9	1	Screw-HH
4	43-6110-0P	1	Clutch Plate ASM [primed]	19	2411-41	1	Rod End-Ball Joint
5	256-273	1	Bushing-Flange	20	106-5233	1	Cable-Traction
6	43-6320	1	Collar	20:1	3220-1	2	Nut-Jam
7	69-9170	1	Shaft-Cruise	21	3296-42	1	Nut-Lock, NI
8	3253-5	1	Washer-Lock	22	119-9359	1	Bracket-Cable, Rear
9	3217-7	1	Nut-Hex	23	93-2092	1	Clamp-Cable
10	321-3	3	Screw-HH	24	322-3	2	Screw-HH
11	321-5	1	Screw-HH	25	2412-93	2	Clamp-R
12	3256-3	1	Washer-Flat	26	3245-32	1	Screw-HSH
13	3253-3	4	Washer-Lock	27	32128-20	2	Nut-HF
14	3217-5	4	Nut-Hex	28	2412-102	1	Clamp-R
15	43-6200	1	Spring-Compression	30	108-9455	1	Harness-Wire, Fusible Link
16	3256-22	1	Washer-Flat				



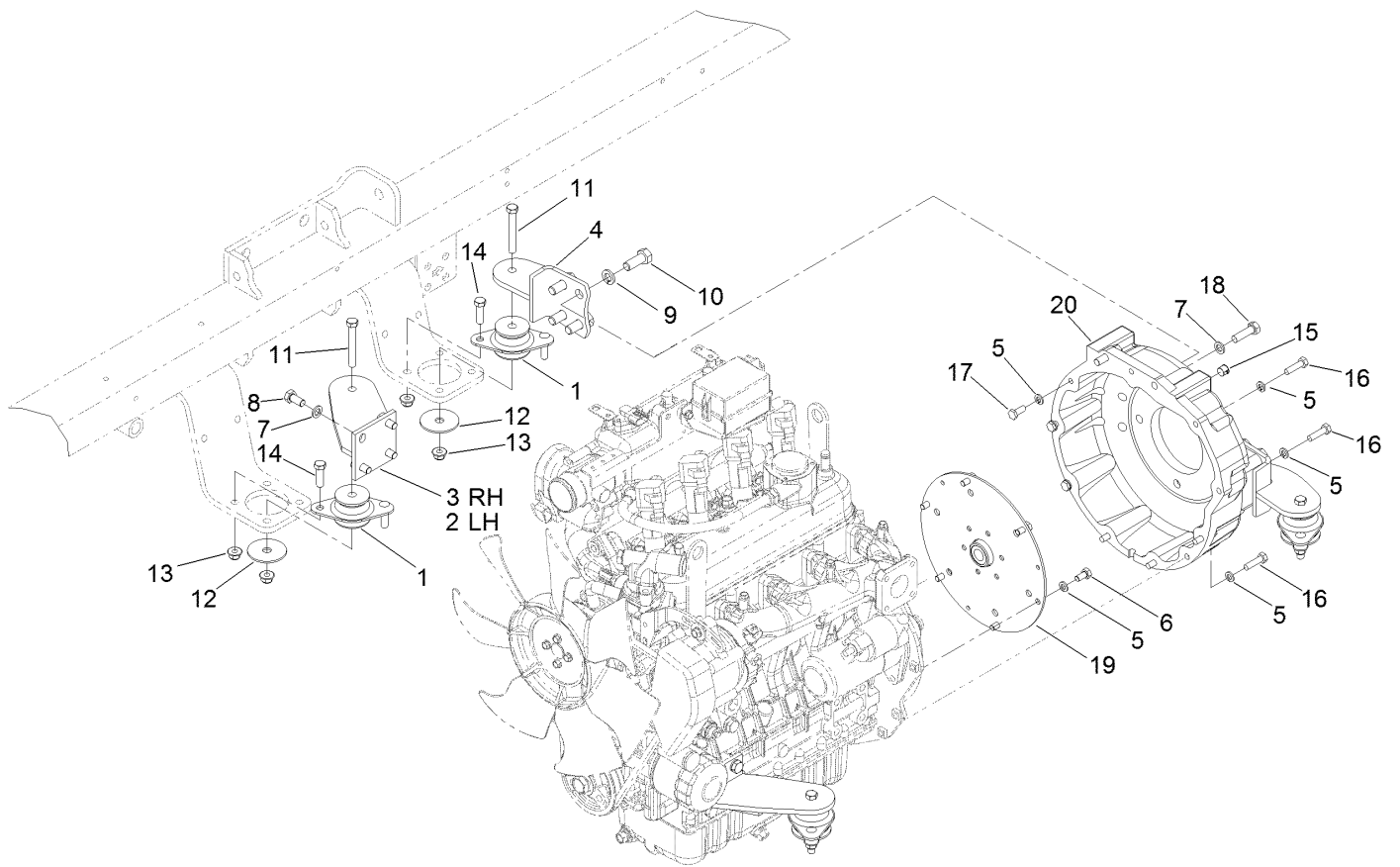
Dash Panel Assembly

Ref.	Part Number	Qty.	Description	Ref.	Part Number	Qty.	Description
1	132-7690	1	Dash Panel ASM	12	80-9330	1	Audio Alarm ASM
1:2	120-0624	1	Decal-Warning, Passenger	12:1	104-5107	1	Nut-Plastic, Knurled
1:4	132-7689	1	Decal-Switch	13	132-7708	1	Decal-Lights, Horn
1:5	133-8062	1	Decal-Arrestor, Spark	15	132-7783	1	Decal-Ignition Switch, Gas
2	106-5269	1	Ignition Switch ASM	16	95-8999	2	Switch
2:2	108-8660	1	Nut-Mounting	17	117-0793	1	Hood
2:3	106-5270	1	Ignition Key Set	18	110-9361	12	Screw-PPH
2:4	108-8659	1	Washer-Backup	19	117-0735	4	Bracket-Hood
3	100-1535	1	Switch-Rocker, (On)-Off-(On)	20	107069	8	Clip
4	117-4948	1	Handle-Grab	21	117-2382	2	Plug-Plastic
5	99-7420	5	Plug-Hole	22	136-0426-03	1	Compartment-Storage
8	120-8546	1	Gauge-Pressure	23	321-15	1	Screw-HH
9	100-8665	1	Reducer-Gauge, Pressure	24	3269-32	3	Rivet-Pop
10	100-8667	1	Coupler-Reducer	25	52-2860	2	Washer
11	132-7614	1	Gauge-Fuel	26	104-7201	7	Nut-HF
				27	363-1483	3	Nut-Hex, K Lock



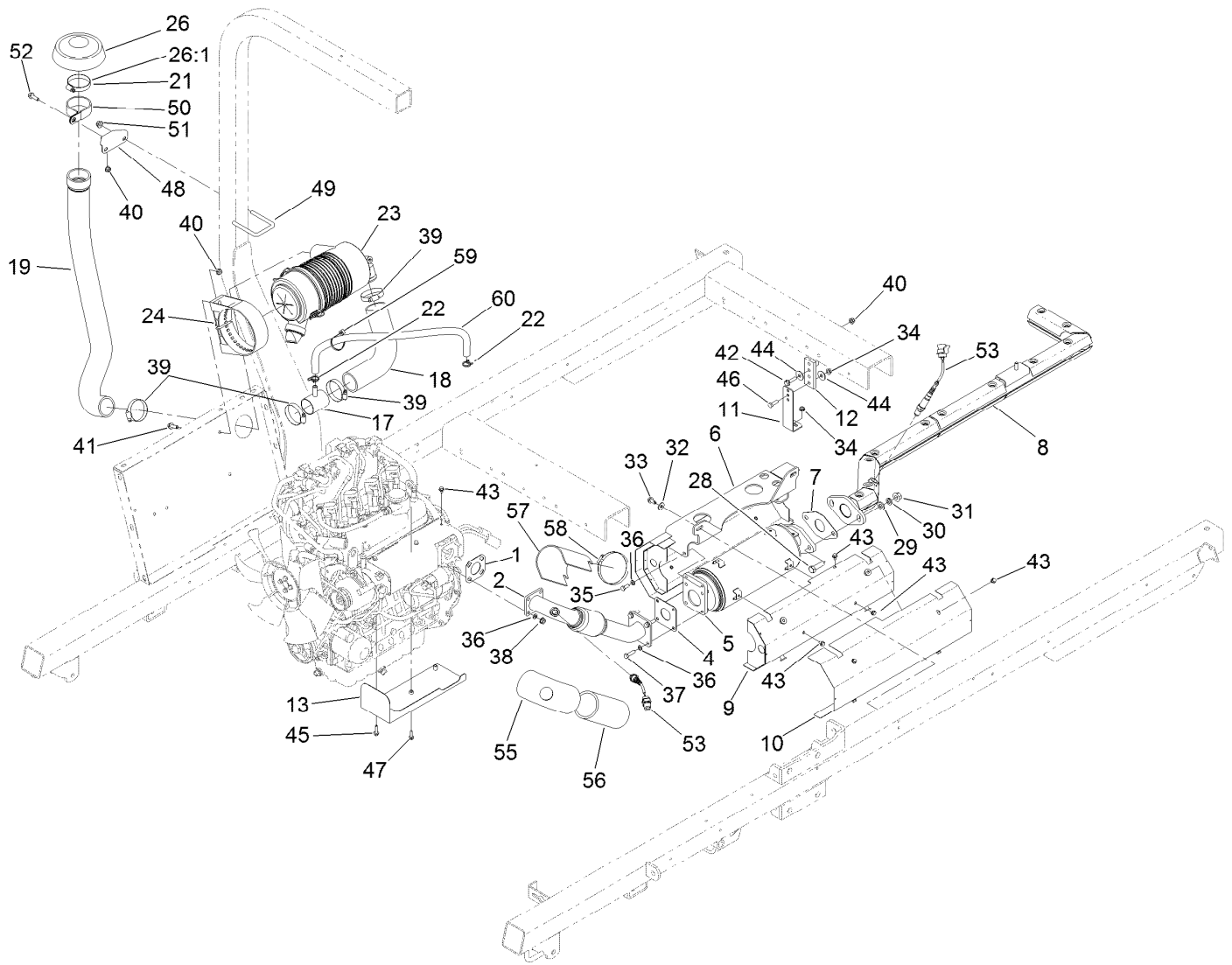
Hood and Fender Assembly

<i>Ref.</i>	<i>Part Number</i>	<i>Qty.</i>	<i>Description</i>	<i>Ref.</i>	<i>Part Number</i>	<i>Qty.</i>	<i>Description</i>
1	132-6703	2	Headlight ASM	9	117-2382	8	Plug-Plastic
1:1	115-2395	1	Bulb-Light	10	3234-47	6	Screw-HHF
2	117-5832	4	Bracket-Headlight	11	63-8410	2	Washer
3	3290-274	8	Rivet-Pop	12	322-5	2	Screw-HH
4	115-2408	6	Clip-Speed	13	32128-20	2	Nut-HF
5	62-5550	1	Decal	14	119-0504	1	Trim-Hood
6	119-0417	1	Fender	16	131-3309	1	Decal
7	119-0418	1	Fender	17	3256-82	4	Washer-Flat
8	94-2413	6	Nut-U				



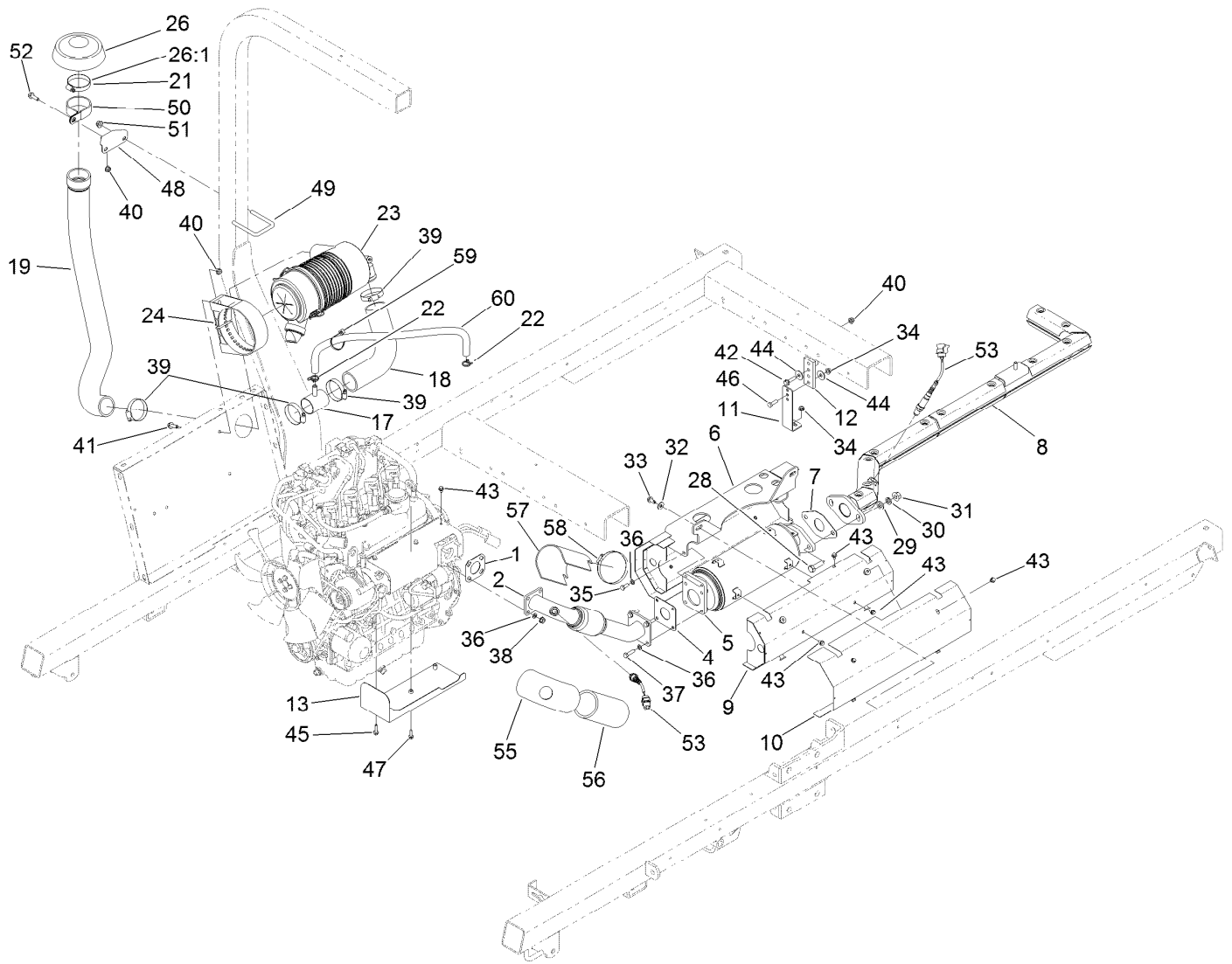
Engine Mounting and Bell Housing Assembly

<i>Ref.</i>	<i>Part Number</i>	<i>Qty.</i>	<i>Description</i>	<i>Ref.</i>	<i>Part Number</i>	<i>Qty.</i>	<i>Description</i>
1	131-1821	4	Mount-Engine	11	323-13	4	Screw-HH
2	117-0667-03	1	Bracket-LH	12	87-5100	4	Washer-Snubbing
3	117-0666-03	1	Bracket-RH	13	104-8301	12	Nut-HF, NI
4	117-0669-03	2	Bracket-Mount, Rear	14	323-7	8	Screw-HH
5	3253-4	15	Washer-Lock	15	119-6039	2	Plug-Plastic
6	99-5132	6	Bolt	16	33114-030	6	Screw-HH
7	48-9590	10	Washer-Lock	17	33114-020	3	Screw-HH
8	63-7790	8	Screw-Cap	18	56-2140	2	Screw-HH
9	3253-7	8	Washer-Lock	19	92-0285	1	Coupling ASM
10	325-5	8	Screw-HH	20	105-0100	1	Housing-Flywheel



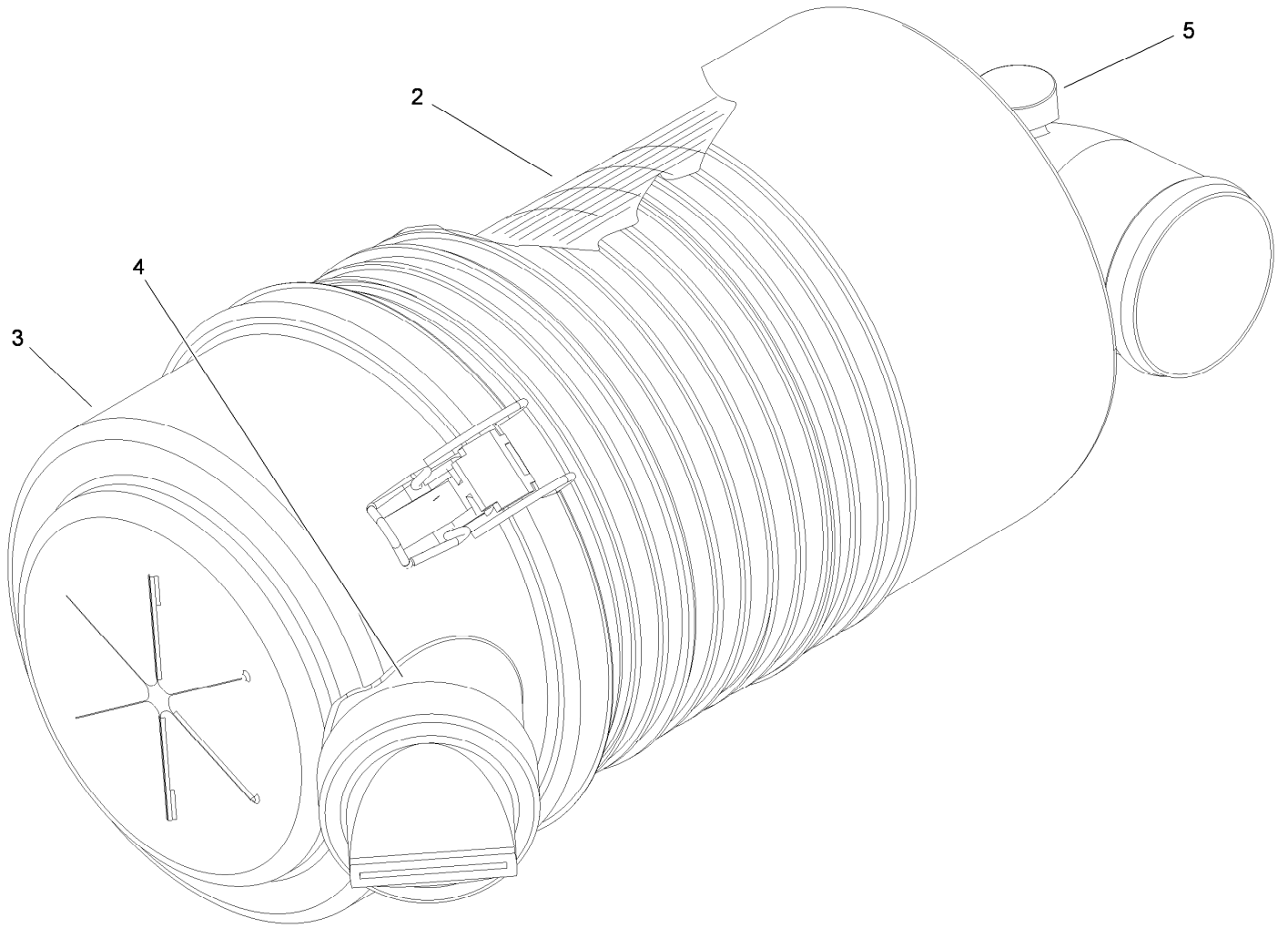
Muffler and Air Cleaner Assembly

Ref.	Part Number	Qty.	Description	Ref.	Part Number	Qty.	Description
1	121-5589	1	Gasket-Manifold, Exhaust	28	33116-040	2	Screw-HH
2	131-5773	1	Pipe-Header	29	33096-00	2	Washer-Flat
4	121-5590	1	Gasket-Manifold, Outlet	30	48-8070	2	Washer-Lock
5	133-2788	1	Catalyst	31	33006-00	2	Nut-HF
6	127-8935	1	Bracket-Mount, Exhaust	32	3256-3	2	Washer-Flat
7	121-5591	1	Gasket-Outlet, Catalyst	33	32104-32	2	Screw-HWH
8	130-7333	1	Pipe-Tail	34	32128-25	2	Nut-HF
9	130-7228	2	Shield-Muffler, Inner	35	33114-020	4	Screw-HH
10	130-7208	2	Shield-Muffler, Outer	36	3253-4	12	Washer-Lock
11	120-8557	1	Bracket-Hanger	37	33114-030	4	Screw-HH
12	117-0744	1	Hanger-Muffler	38	33004-00	8	Nut-HF
13	130-7206	1	Shield-Manifold, Bottom	39	2412-130	4	Clamp-Hose
17	120-5552	1	Vent	40	104-8300	4	Nut-HF, NI
18	130-7098	1	Hose-Intake	41	3234-17	2	Screw-HHF
19	136-2267	1	Hose-Air Cleaner	42	119-4036	1	Screw-HHF
21	2412-42	1	Clamp-Hose	43	81-1280	16	Screw-HHF
22	117-1193	2	Clamp-Hose	44	52-2860	2	Washer
23	106-5277	1	Air Cleaner ASM	45	33103-025	2	Screw-HHF
24	98-4525	1	Bracket-Cleaner, Air	46	322-5	1	Screw-HH
26	139-0686	1	Rain Cap ASM	47	110-3986	1	Screw
26:1	2412-130	1	Clamp-Hose	48	131-3319-03	1	Bracket-Mount, Air Intake



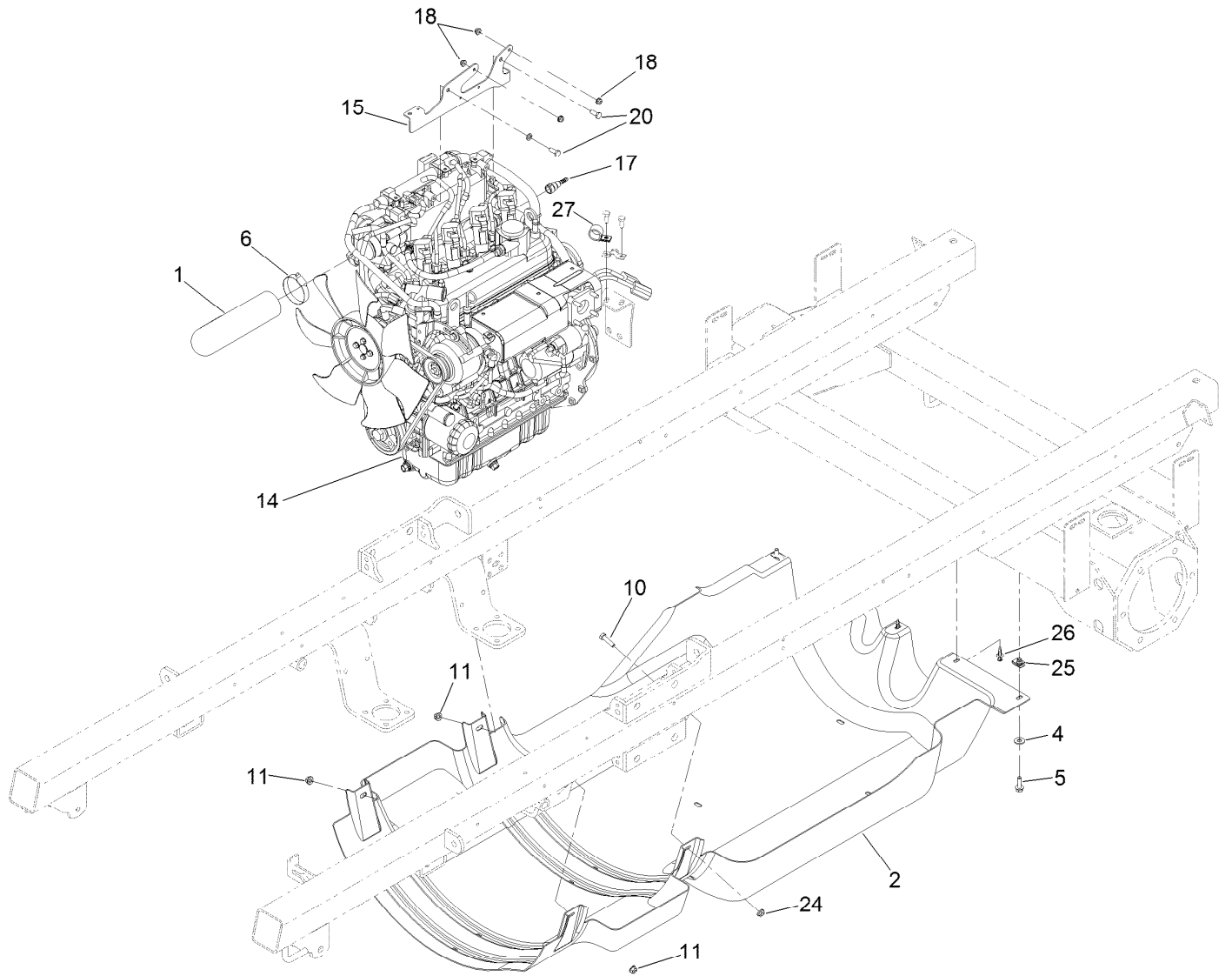
Muffler and Air Cleaner Assembly (continued)

<i>Ref.</i>	<i>Part Number</i>	<i>Qty.</i>	<i>Description</i>	<i>Ref.</i>	<i>Part Number</i>	<i>Qty.</i>	<i>Description</i>
49	47-3460	1	U-Bolt	56	131-9601	1	Jacket-Lower, Header
50	2412-102	1	Clamp-R	57	131-9598	1	Shield-Composite
51	104-8301	2	Nut-HF, NI	58	2412-110	1	Clamp-Band/Screw
52	3234-29	1	Screw-HHF	59	3290-378	1	Tie-Cable
53	120-3832	2	Sensor-Oxygen	60	131-5841	1	Hose-Overflow
55	131-9600	1	Jacket-Upper, Header				



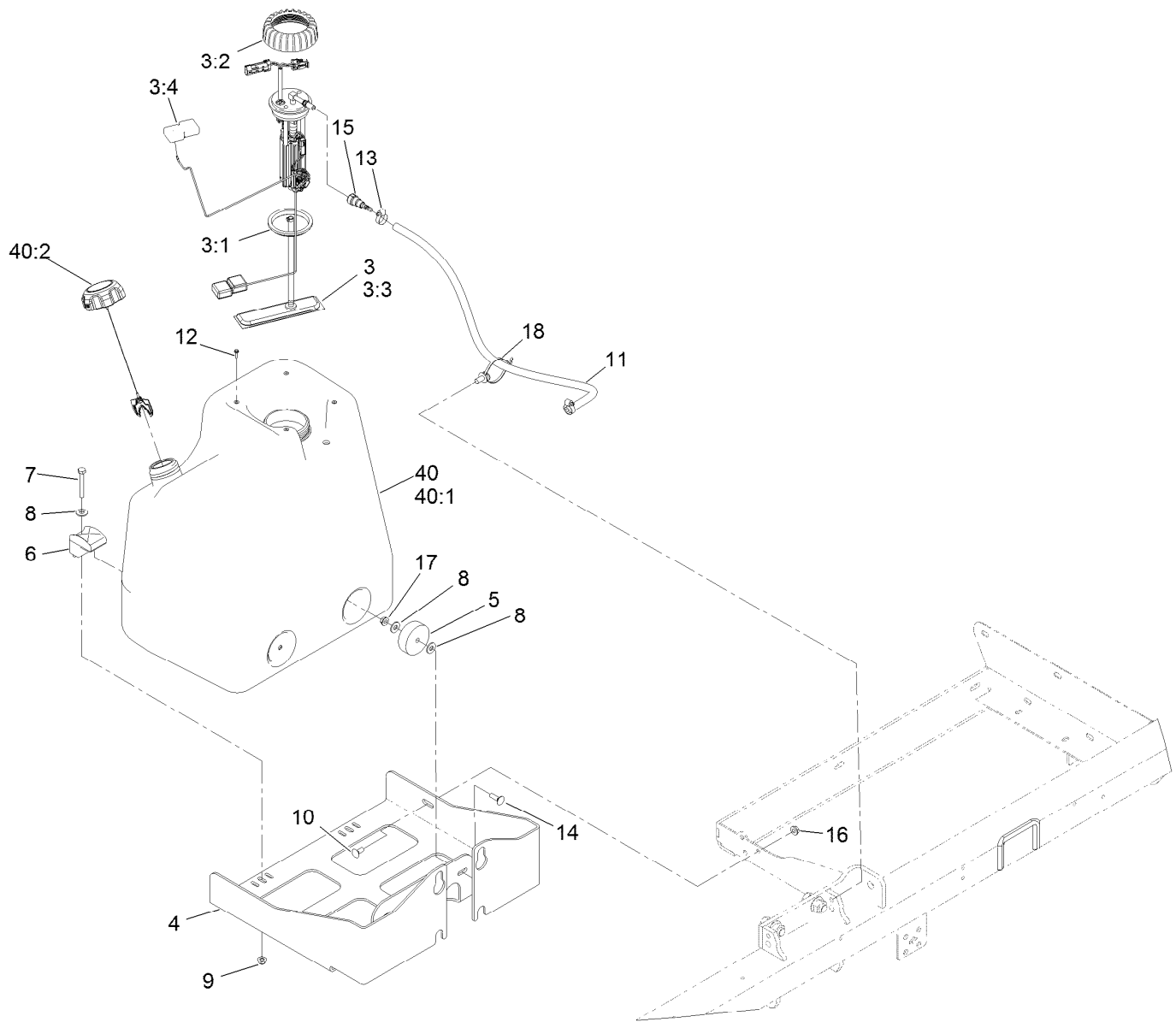
Air Cleaner Assembly No. 106-5277

<i>Ref.</i>	<i>Part Number</i>	<i>Qty.</i>	<i>Description</i>
2	108-3810	1	Filter-Air
3	98-9771	1	Cover ASM
4	87-9400	1	Valve-Vacuator
5	285-17	1	Plug-Pipe



Engine and Shroud Assembly

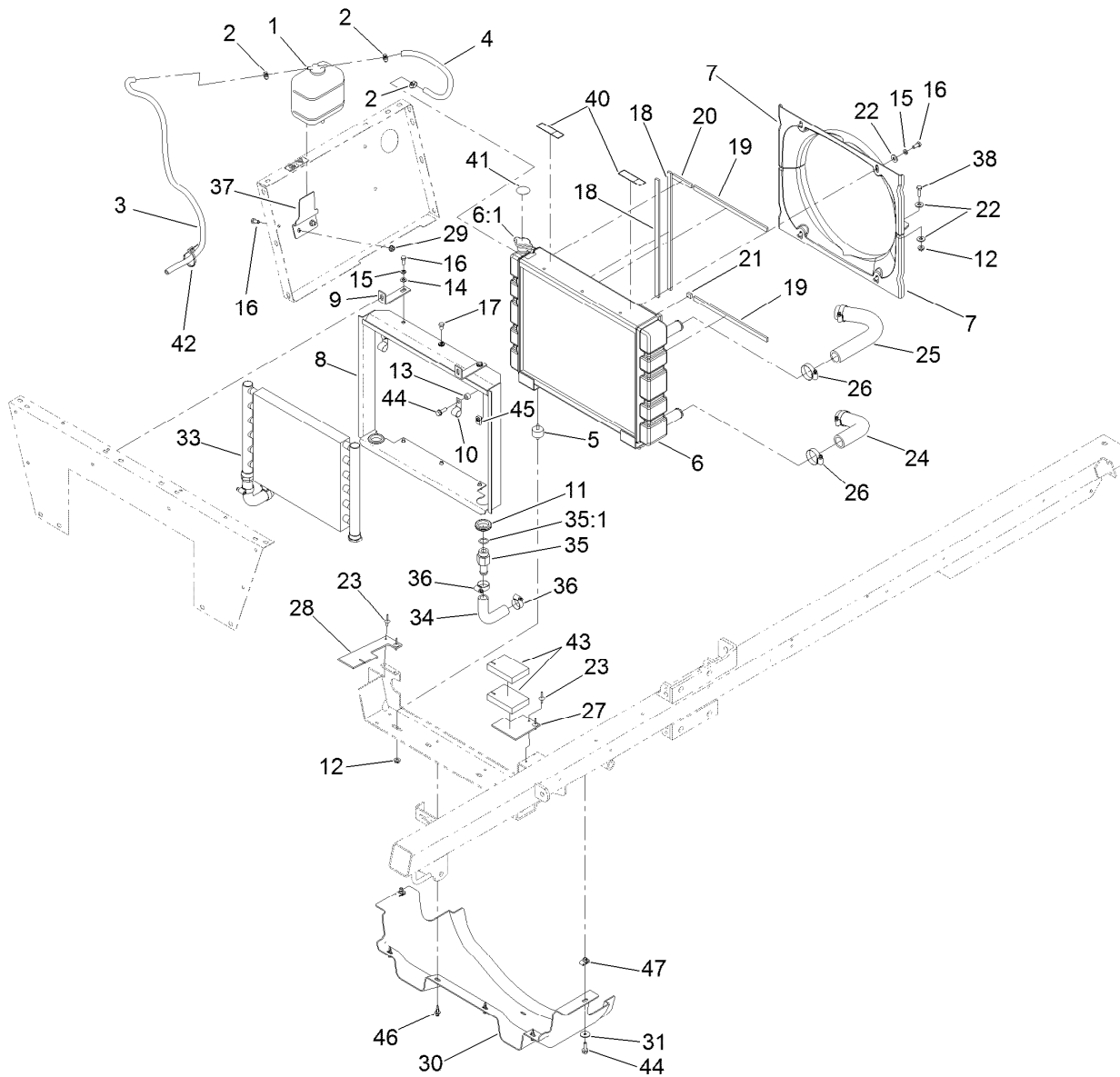
<i>Ref.</i>	<i>Part Number</i>	<i>Qty.</i>	<i>Description</i>	<i>Ref.</i>	<i>Part Number</i>	<i>Qty.</i>	<i>Description</i>
1	120-3841	1	Hose-Cleaner, Air	15	137-4222-03	1	Bracket-Engine
2	130-7177	1	Shroud-Undercarriage	17	125-2921	1	Fitting-Fuel
4	3256-3	2	Washer-Flat	18	3234-21	2	Screw-HHF
5	3234-29	2	Screw-HHF	20	33114-020	2	Screw-HH
6	2412-130	1	Clamp-Hose	24	32128-20	1	Nut-HF
10	322-6	2	Screw-HH	25	94-2413	2	Nut-U
11	104-8300	2	Nut-HF, NI	26	125-9622	3	Rivet-Blind
14	138-9622	1	Engine-Kubota, Wg1605	27	110-0824	1	R-Clamp



Fuel Tank Assembly

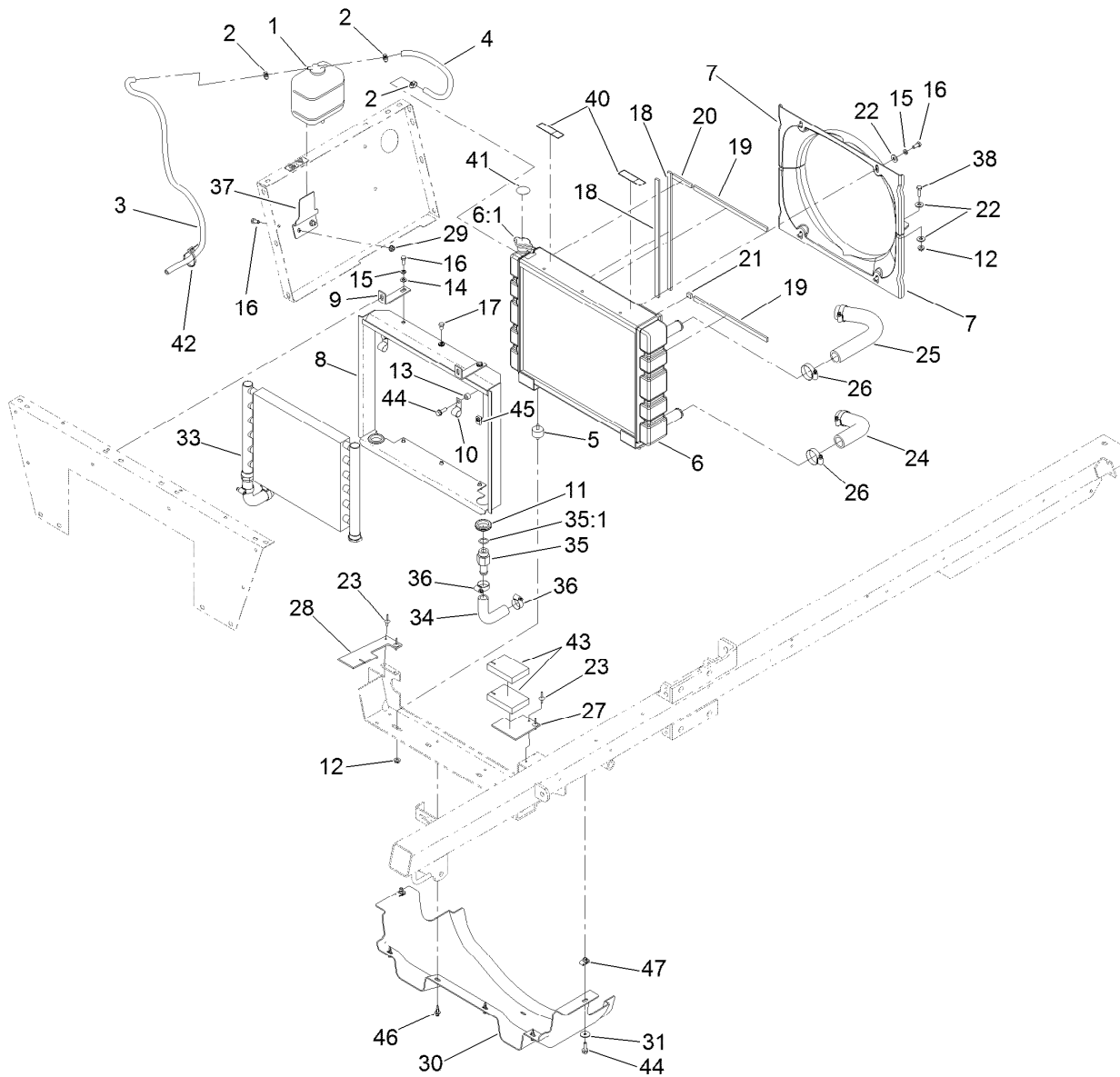
Ref.	Part Number	Qty.	Description	Ref.	Part Number	Qty.	Description
3	121-5641	1	Pump-Fuel	11	121-6321	1	Hose-Fuel
3:1	115-2163	1	Gasket-Pump, Fuel	12	98-1375	4	Screw-HWH
3:2	115-2162	1	Cap-Pump, Fuel	13	2412-36	2	Clamp-Hose
3:3	125-2902	1	Filter-Fuel	14	3230-2	2	Bolt-CARR
3:4	120-4812	1	Float	15	125-2921	1	Fitting-Fuel
4	131-9550-03	1	Bracket-Tank, Fuel Tank	16	32128-20	1	Nut-HF
5	108-1605	2	Bumper-Recess	17	32128-25	2	Nut-HF
6	107-4543	2	Clamp	18	32180-031	1	Clip-Tree (W/Tie)
7	322-11	2	Screw-HH	40		1	Fuel Tank ASM ●
8	3256-3	6	Washer-Flat	40:1	125-5872	1	Tank-Fuel
9	104-8300	2	Nut-HF, NI	40:2	136-2266	1	Cap-Fuel, Dual Vent
10	3230-1	1	Bolt-CARR				

● Not serviced separately



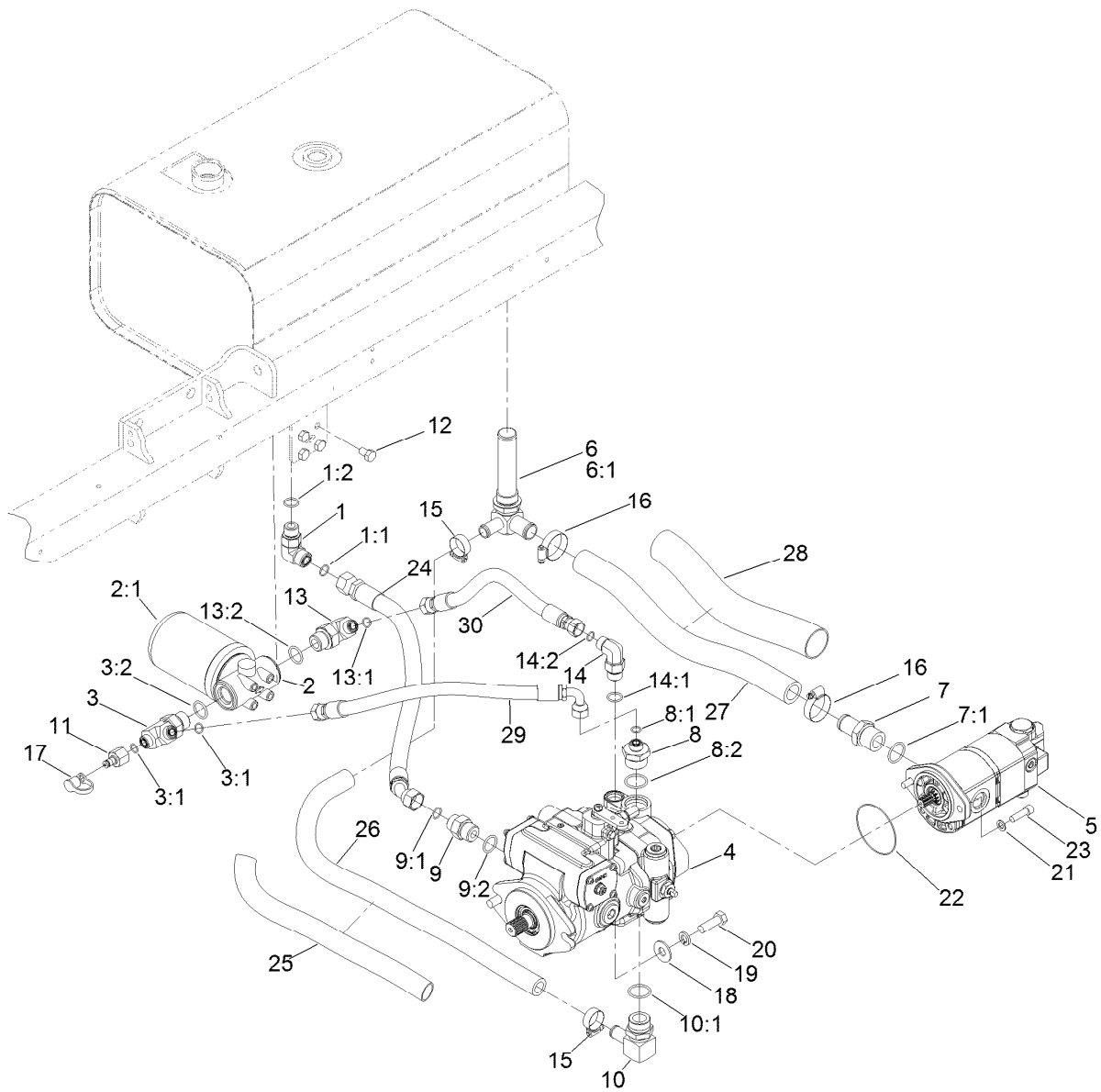
Radiator Assembly

Ref.	Part Number	Qty.	Description	Ref.	Part Number	Qty.	Description
1	108-0638	1	Bottle-Overflow	21	107-8678	2	Seal-Foam
2	92-2379	3	Clamp-Hose	22	3256-56	8	Washer-Flat
3	109-0309	1	Hose-Fuel	23	3269-18	4	Rivet-Blind
4	106-1126	1	Hose-Fuel	24	119-4992	1	Hose-Radiator
5	62-5480	2	Isolater-Seat	25	106-5239	1	Hose-Radiator, Upper
6	138-6160	1	Radiator	26	2412-111	4	Clamp
6:1	1-643161	1	Cap-Radiator	27	136-2315	1	Baffle-Heat
7	131-5779	2	Shroud-Fan	28	119-5037	1	Baffle-Heat, RH
8	138-9584-03	1	Shroud-Radiator	29	104-8300	2	Nut-HF, NI
9	106-5185	2	Brace-Radiator	30	119-9393	1	Shield-Front Heat, Engine
10	2412-150	2	Clip-J	31	3256-82	2	Washer-Flat
11	240-3	2	Grommet-Rubber	33	94-7007	1	Cooler-Oil
12	32128-20	4	Nut-HF	34	125-5880	2	Hose-Cooler, Oil
13	98-4695	2	Spacer	35	112-7835	2	Ftg-STR, Spcl
14	3256-23	6	Washer-Plain	35:1	237-81	1	O-Ring
15	3253-4	10	Washer-Lock	36	2412-129	4	Clamp-Hose
16	322-3	4	Screw-HH	37	130-7102-03	1	Bracket-Reservoir
17	322-1	4	Screw-HH	38	322-5	2	Screw-HH
18	107-8675	4	Seal-Foam	40	120-0627	2	Decal-Warning
19	107-8676	2	Seal-Foam	41	106-6755	1	Decal-Cap, Radiator
20	107-8677	2	Seal-Foam	42	3290-378	1	Tie-Cable



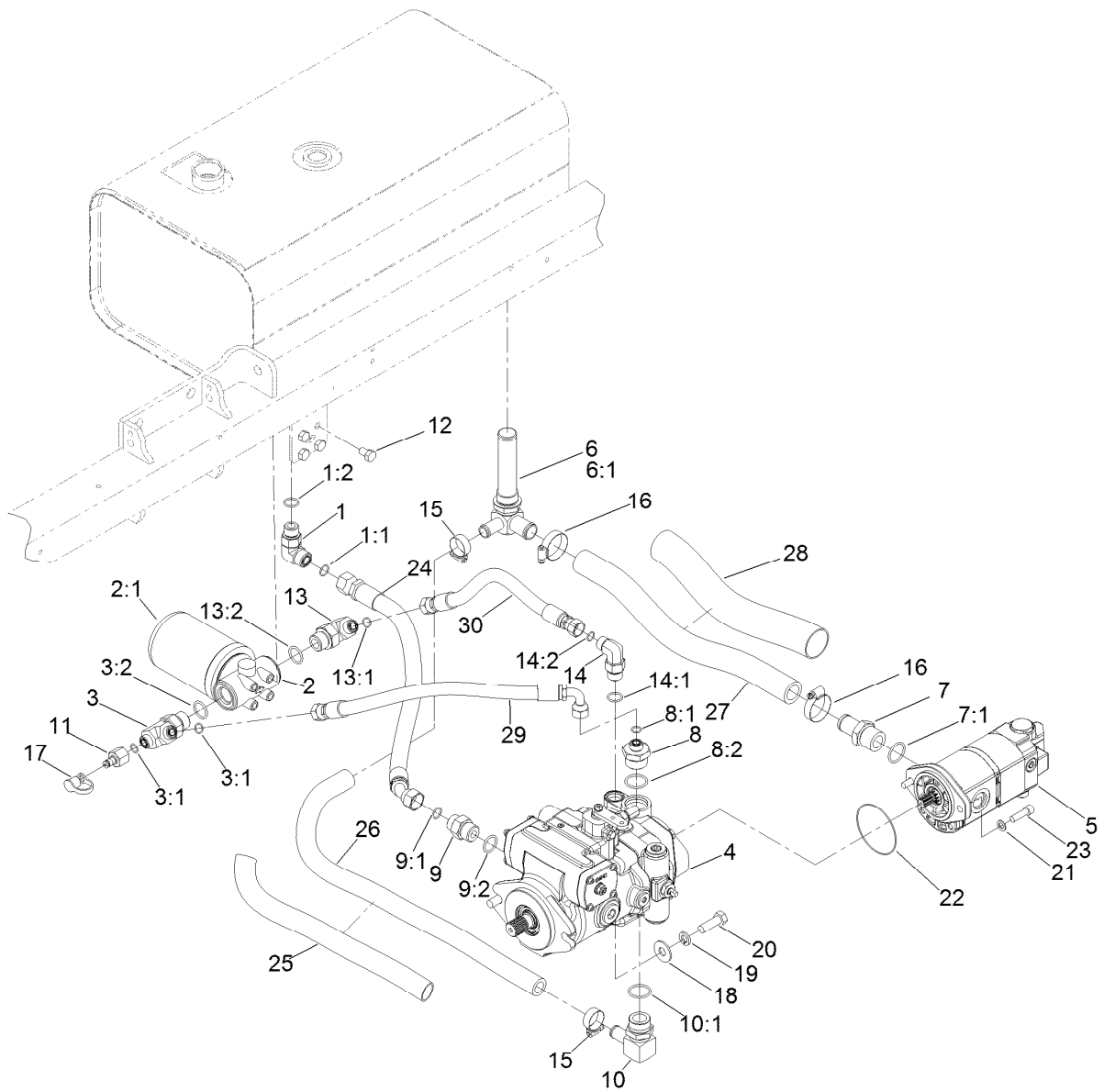
Radiator Assembly (continued)

<i>Ref.</i>	<i>Part Number</i>	<i>Qty.</i>	<i>Description</i>	<i>Ref.</i>	<i>Part Number</i>	<i>Qty.</i>	<i>Description</i>
43	136-2316	2	Baffle-Foam	46	125-9622	4	Rivet-Blind
44	3234-29	4	Screw-HHF	47	115-7721	2	Nut-Clip, U
45	94-2413	2	Nut-U				



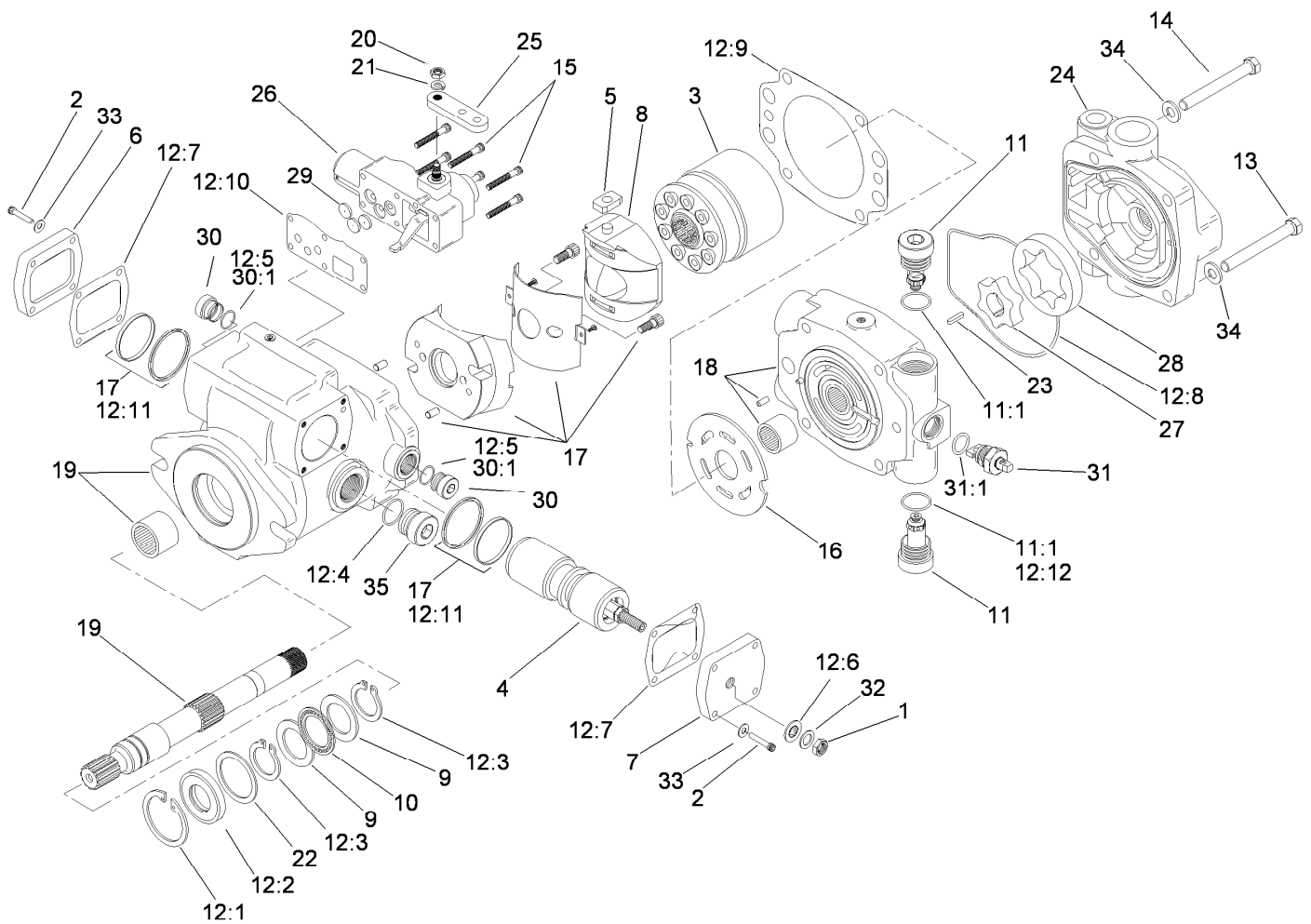
Hydraulic Pump and Filter Assembly

Ref.	Part Number	Qty.	Description	Ref.	Part Number	Qty.	Description
1	340-17	1	Fitting-Elbow, 90 DEG	10:1	237-117	1	O-Ring
1:1	237-65	1	O-Ring	11	100-5616	1	Fitting
1:2	237-80	1	O-Ring	12	33115-016	4	Screw-HH
2	93-2242	1	Oil Filter ASM	13	340-131	1	Fitting-HYD, 90 DEG
2:1	75-1310	1	Filter-HYD	13:1	237-30	1	O-Ring
3	117-0676	1	Fitting-Tee	13:2	237-81	1	O-Ring
3:1	237-30	2	O-Ring	14	340-105	1	Fitting-Elbow, 90 DEG
3:2	237-81	1	O-Ring	14:1	237-80	1	O-Ring
4	117-0685	1	Piston Pump ASM	14:2	237-30	1	O-Ring
5	138-6193	1	Pump-Tandem	15	2412-129	2	Clamp-Hose
6	117-0684	1	Strainer-Tee	16	2412-111	2	Clamp
6:1	237-146	1	O-Ring	17	354-79	1	Cap-Dust
7	354-78	1	Fitting-STR	18	3256-6	2	Washer-Flat
7:1	237-146	1	O-Ring	19	3253-7	2	Washer-Lock
8	104-9178	1	Fitting-STR	20	325-6	2	Screw-HH
8:1	237-30	1	O-Ring	21	60-3540	2	Washer
8:2	237-146	1	O-Ring	22	60-3520	1	O-Ring
9	340-8	1	Fitting-Straight	23	3274-1	2	Screw-HSH
9:1	237-65	1	O-Ring	24	112-2561	1	Hose-HYD
9:2	237-81	1	O-Ring	25	94-3688	1	Sleeve-Protective
10	98-0971	1	Fitting-Elbow, 90	26	119-5045	1	Hose-Suction



Hydraulic Pump and Filter Assembly (continued)

<i>Ref.</i>	<i>Part Number</i>	<i>Qty.</i>	<i>Description</i>	<i>Ref.</i>	<i>Part Number</i>	<i>Qty.</i>	<i>Description</i>
27	117-0681	1	Hose ASM	29	117-0686	1	Hose-HYD
28	107-3589	1	Sleeve-Hose	30	117-0729	1	Hose ASM

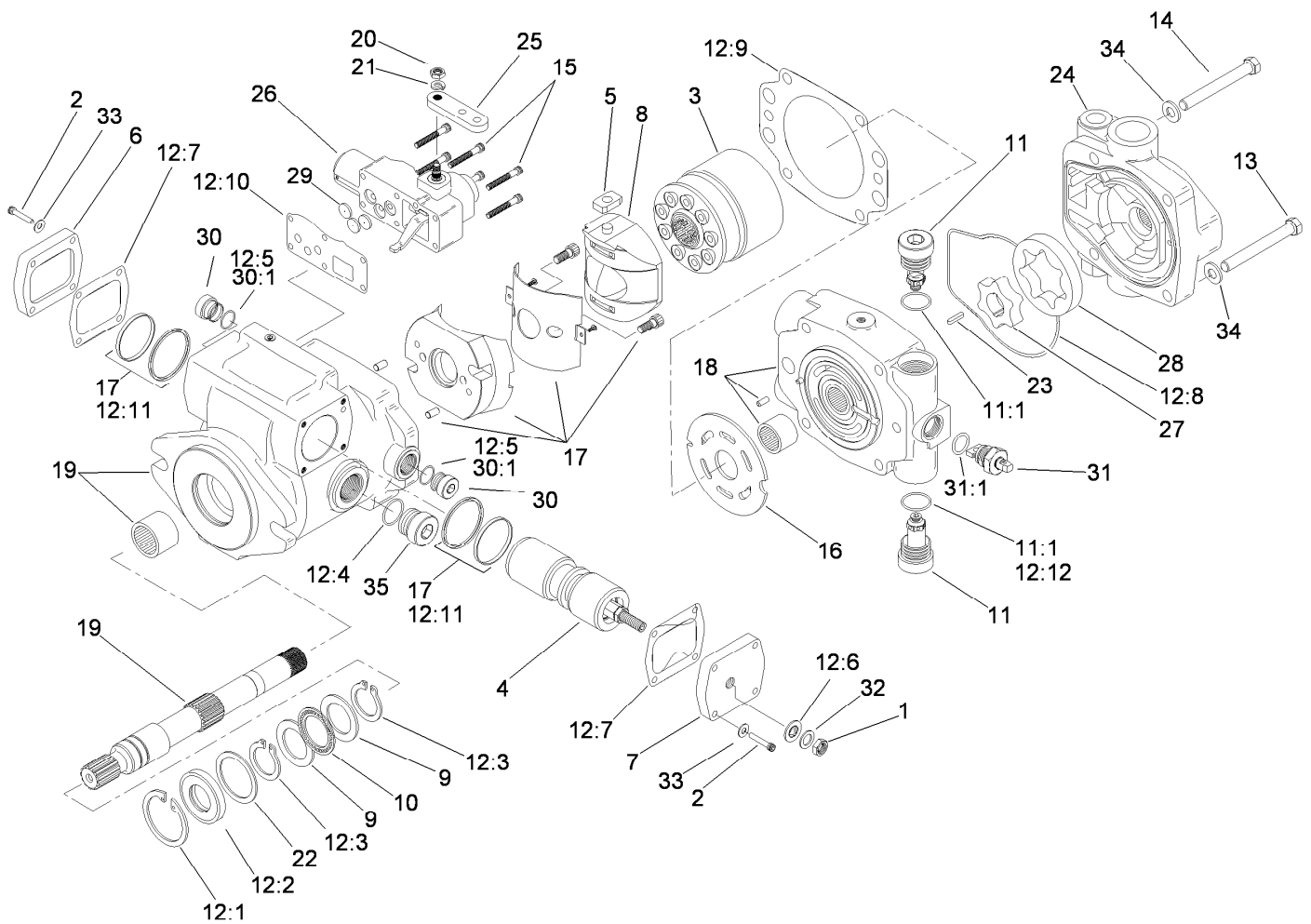


Piston Pump Assembly No. 117-0685

Ref.	Part Number	Qty.	Description	Ref.	Part Number	Qty.	Description
1	3220-3	1	Nut-HJ	12:6	94-3027	1	Washer-Seal
2	93-6337	8	Screw	12:7	93-6339	2	Gasket
3	99-8701	1	Rotating Kit	12:8	105-2905	1	O-Ring ●
4	105-2856	1	Piston-Servo	12:9	105-2900	1	Gasket-Housing
5	94-3032	1	Follower-Piston	12:10	105-2901	1	Gasket-Housing, Control
6	94-3033	1	Plate-Cover	12:11		2	Seal ASM ■
7	105-9853	1	Plate-Cover	12:12	74-9380	1	O-Ring ●
8	94-3026	1	Camplate ASM	13	323-15	2	Screw-HH
9	76-6950	2	Race-Thrust	14	323-16	2	Screw-HH
10	76-6960	1	Bearing-Thrust	15	93-6324	6	Screw
11	105-2858	2	Valve-Relief	16	99-8704	1	Plate-Valve
11:1		1	O-Ring ■	17		1	Housing ■
12	107-1561	1	Seal Kit ●	18	105-2904	1	Backplate
12:1	60-6260	1	Ring	19	93-6344	1	Driveshaft
12:2	105-3331	1	Seal-Shaft	20	3217-5	1	Nut-Hex
12:3	76-7000	2	Ring-Retaining	21	3253-3	1	Washer-Lock
12:4		2	O-Ring ■	22	60-6240	1	Washer
12:5	93-6314	2	O-Ring ●	23	93-6375	1	Key

● Not illustrated

■ Not serviced separately

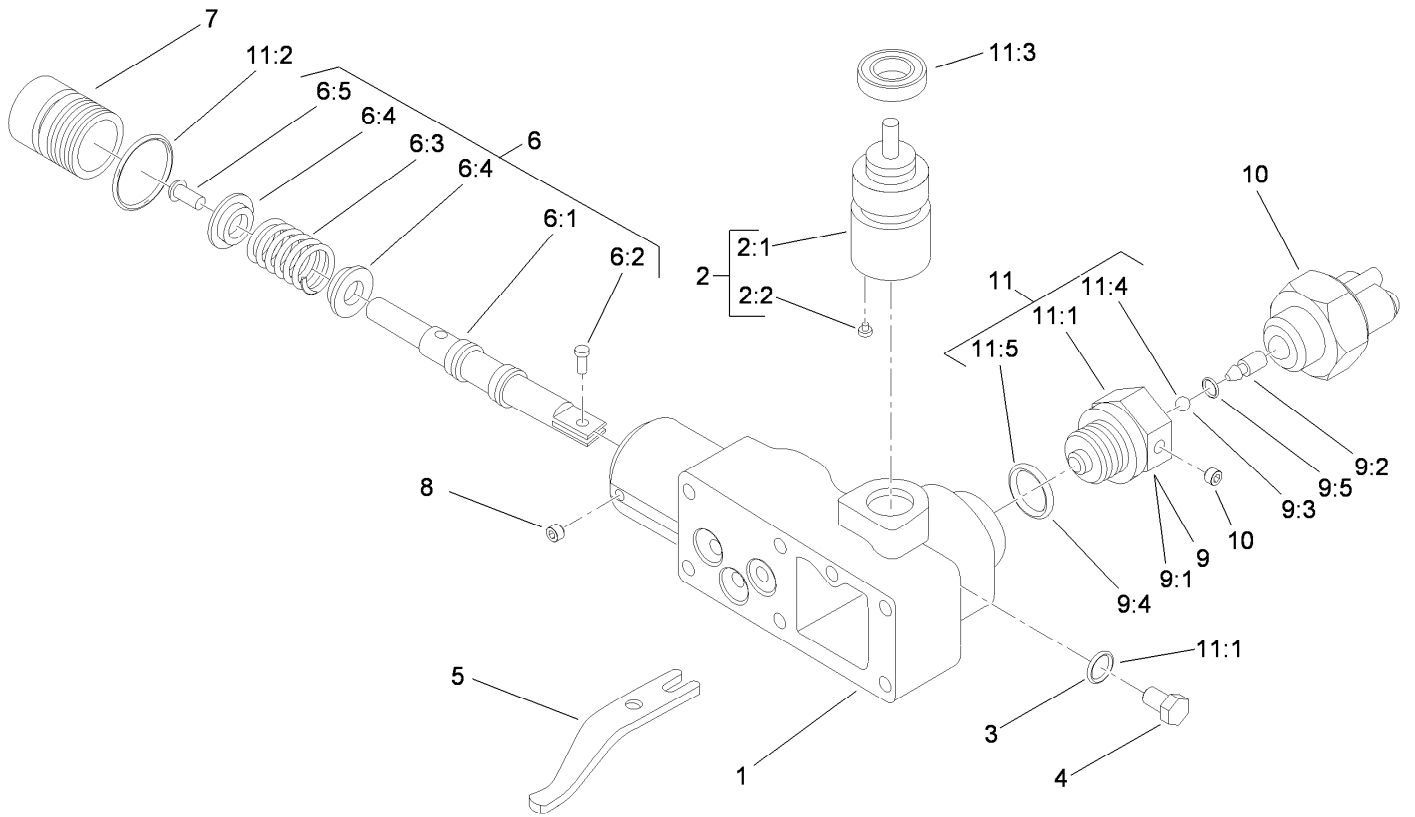


Piston Pump Assembly No. 117-0685 (continued)

Ref.	Part Number	Qty.	Description	Ref.	Part Number	Qty.	Description
24	95-2110	1	Adaptor	30:1		1	O-Ring ■
25	105-2862	1	Arm-Control	31	105-2913	1	Valve-Bypass
26	115-4446	1	Control-Servo, Manual	31:1		1	O-Ring ■
27	93-6365	1	Geroter-Inner	32	94-3030	1	Washer
28	93-6364	1	Geroter-Outer	33	93-6336	8	Washer
29	94-3041	3	Orifice-Control (.028 DIA)	34	3256-24	4	Washer-Flat
30	74-9280	2	Plug ASM	35		1	Plug ASM ■

● Not illustrated

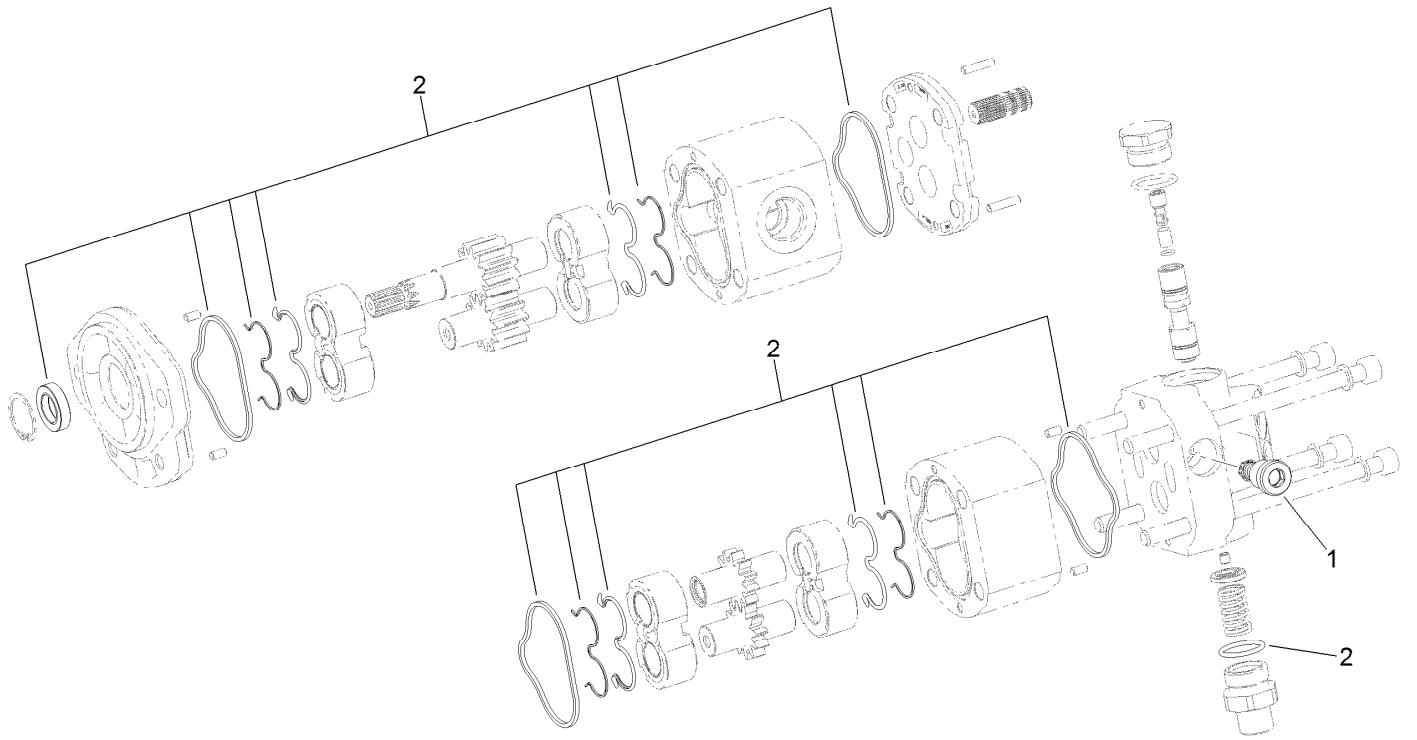
■ Not serviced separately



Control Assembly No. 115-4446

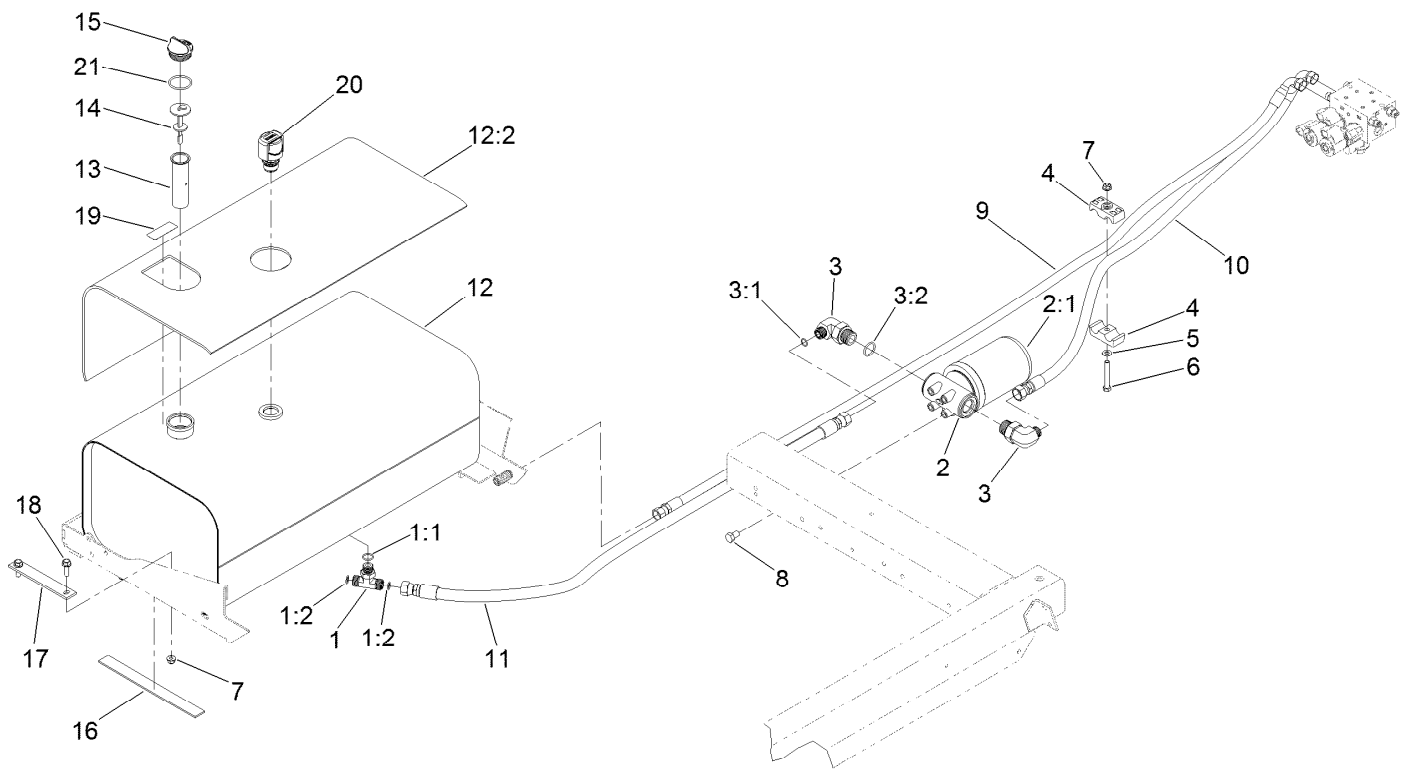
Ref.	Part Number	Qty.	Description	Ref.	Part Number	Qty.	Description
1		1	Housing-Control ●	8		2	Screw-Set ●
2	108-7099	1	Input Control Shaft ASM	9	108-8003	1	Adaptor ASM
2:1		1	Shaft ●	9:1		1	Adaptor-Lockout, Neutral ●
2:2		1	Pin ●	9:2		1	Pin ●
3		1	O-Ring ●	9:3		1	Ball ●
4		1	Plug ●	9:4		1	O-Ring ●
5		1	Link-Feedback ●	9:5		1	O-Ring ●
6	108-7098	1	Valve Spool ASM	10	115-3795	1	Switch-Neutral
6:1		1	Valve-Spool ●	11	94-3044	1	Seal Kit
6:2		1	Pin-Dowel ●	11:1	117-8979	1	Seal-Shaft
6:3		1	Spring ●	11:2	105-2901	1	Gasket-Housing, Control
6:4		2	Retainer ●	11:3		1	O-Ring ●
6:5		1	Screw ●	11:4		1	O-Ring ●
7		1	Plug ●	11:5		1	Seal-Wiper ●

● Not serviced separately



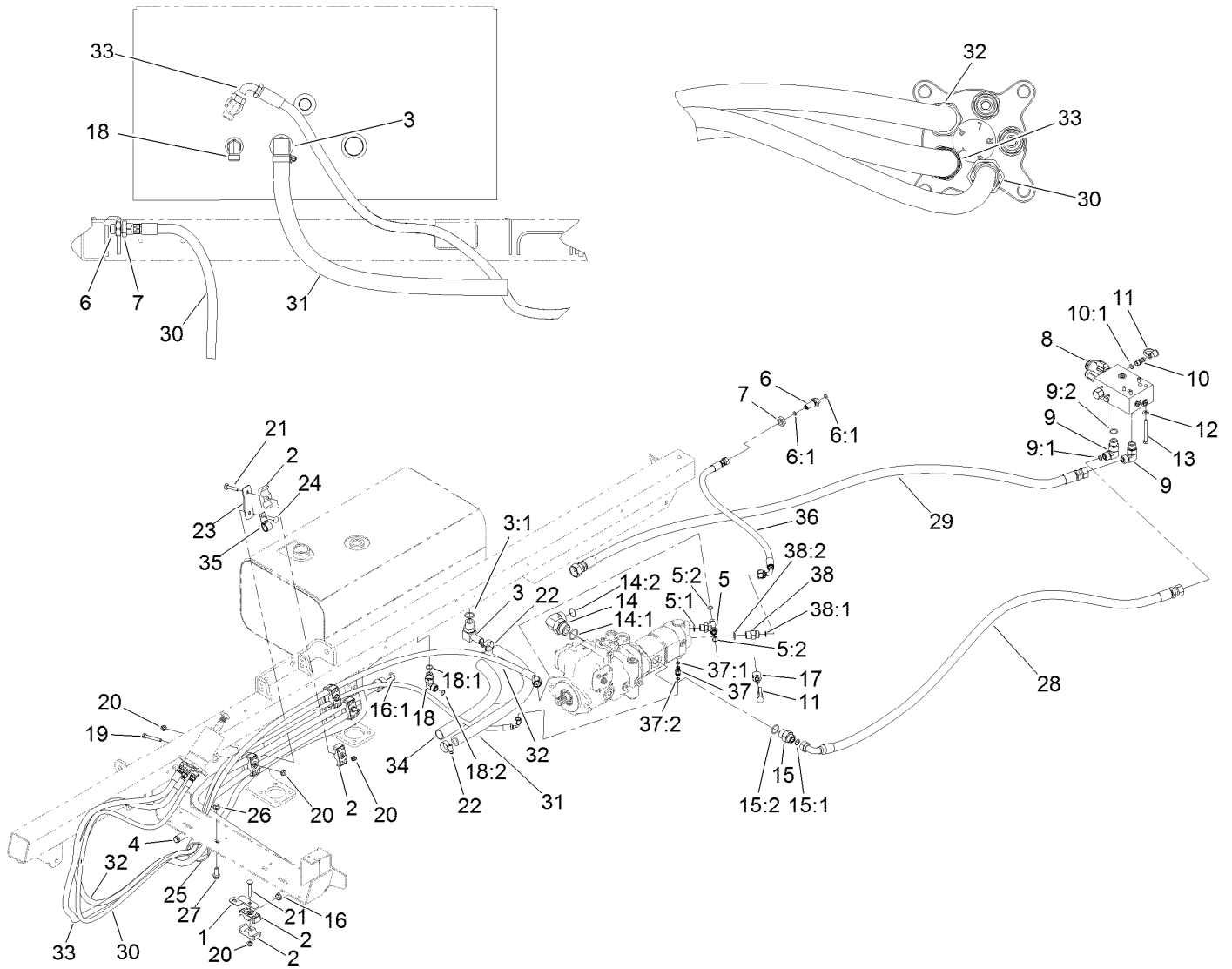
Tandem Pump Assembly No. 138-6193

<i>Ref.</i>	<i>Part Number</i>	<i>Qty.</i>	<i>Description</i>
1	138-6257	1	Valve-Relief
2	138-6258	1	Seal Kit



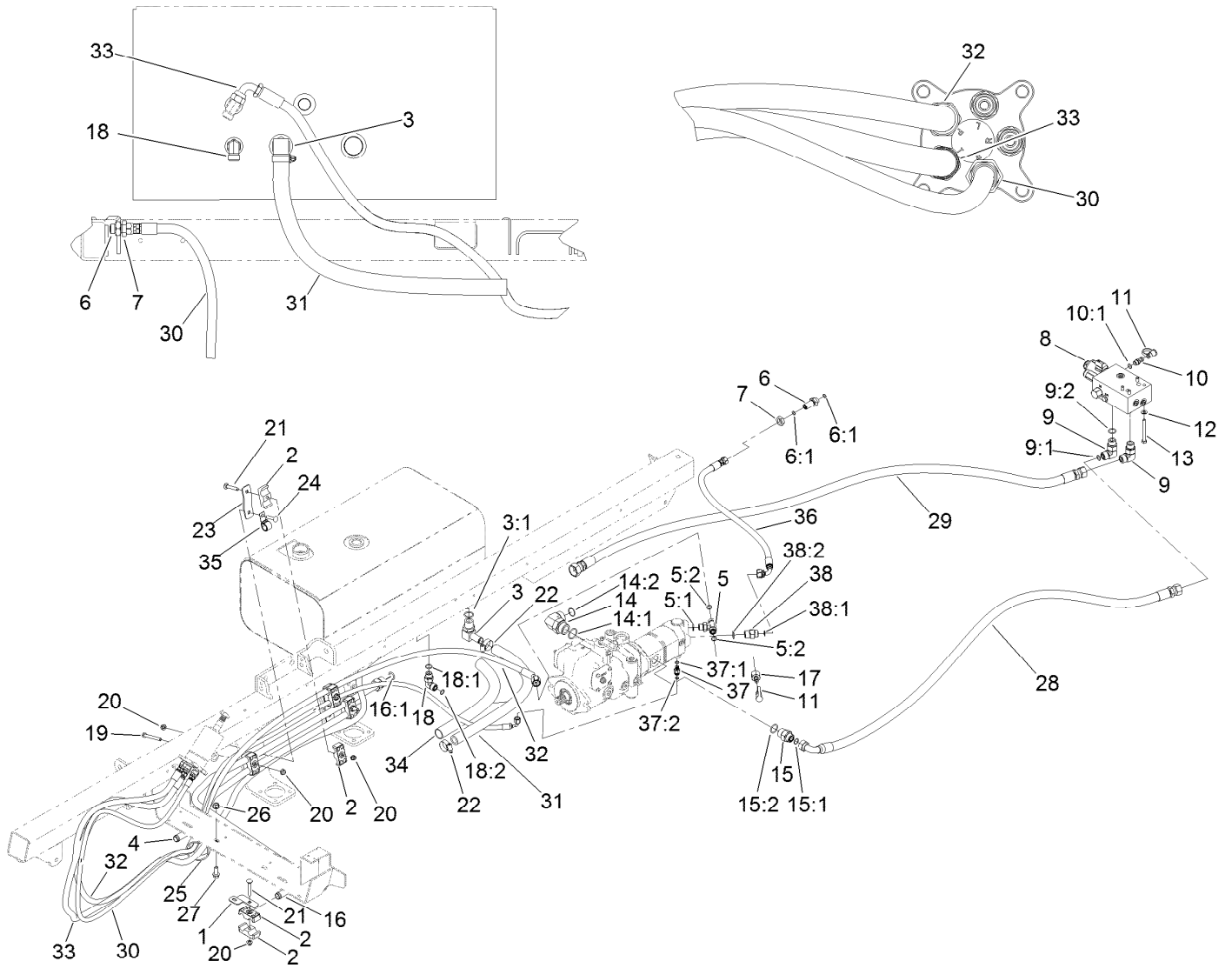
Hydraulic Tank Assembly

<i>Ref.</i>	<i>Part Number</i>	<i>Qty.</i>	<i>Description</i>	<i>Ref.</i>	<i>Part Number</i>	<i>Qty.</i>	<i>Description</i>
1	340-157	1	Fitting-HYD, Tee	10	119-0587	1	HYD Hose ASM
1:1	237-79	1	O-Ring	11	106-3672	1	HYD Hose ASM
1:2	237-30	2	O-Ring	12	131-5799	1	Hydraulic Tank ASM
2	93-2242	1	Oil Filter ASM	12:2	131-5787	1	Cover-Tank, Hydraulic
2:1	75-1310	1	Filter-HYD	13	92-1705	1	Filter-Screen
3	340-131	2	Fitting-HYD, 90 DEG	14	105-2812	1	Dipstick
3:1	237-30	1	O-Ring	15	93-7498	1	Plug-Plastic
3:2	237-81	1	O-Ring	16	41995	2	Strip-Armaflex
4	94-8105	2	Clamp-Tube	17	94-7068-03	2	Strap-Hold Down
5	3256-23	1	Washer-Plain	18	3234-17	4	Screw-HHF
6	322-11	1	Screw-HH	19	93-6686	1	Decal-Oil, HYD
7	104-8300	5	Nut-HF, NI	20	115-9793	1	Breather
8	33115-016	4	Screw-HH	21	237-101	1	O-Ring
9	119-0588	1	HYD Hose ASM				



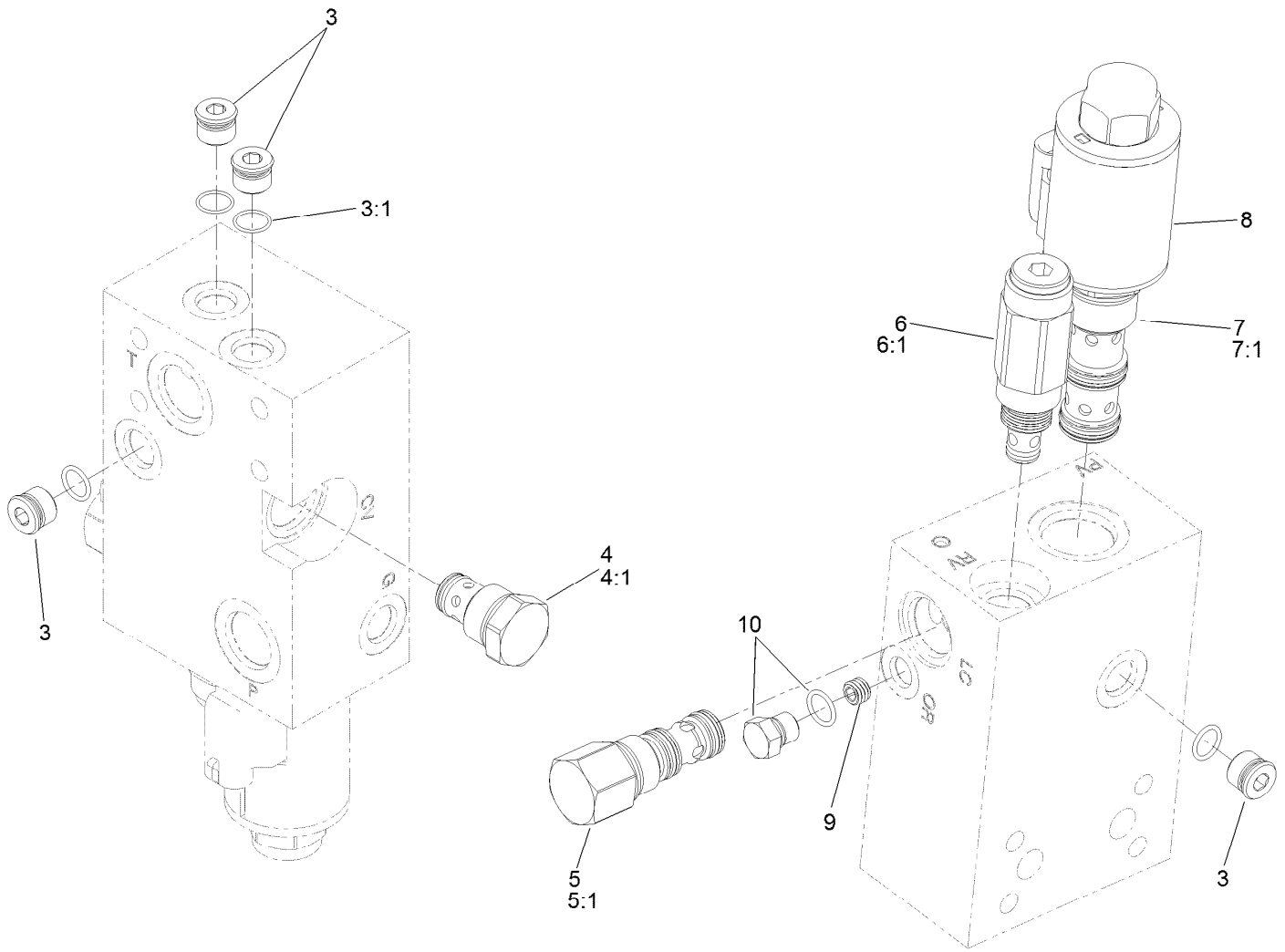
Hydraulic Pump and Filter Assembly

Ref.	Part Number	Qty.	Description	Ref.	Part Number	Qty.	Description
1	117-0723	1	Plate-Mount, Tube Clamp	14:1	237-146	1	O-Ring
2	94-8105	10	Clamp-Tube	14:2	340-65	1	O-Ring
3	353-987	1	Fitting-Elbow, 90	15	340-8	1	Fitting-Straight
3:1	237-81	1	O-Ring	15:1	237-65	1	O-Ring
4	117-0693	1	Hydraulic Tube	15:2	237-81	1	O-Ring
5	340-157	1	Fitting-HYD, Tee	16	125-5854	1	Tube ASM
5:1	237-79	1	O-Ring	16:1	237-58	1	O-Ring
5:2	237-30	2	O-Ring	17	100-5616	1	Fitting
6	340-71	1	Fitting-Straight, Bulkhead	18	340-98	1	Fitting-Elbow, 90 DEG
6:1	237-22	2	O-Ring	18:1	237-79	1	O-Ring
7	340-70	1	Nut-Lock	18:2	237-30	1	O-Ring
8	117-0708	1	Pump Control Valve ASM	19	322-13	2	Screw-HH
9	340-17	2	Fitting-Elbow, 90 DEG	20	104-8300	6	Nut-HF, NI
9:1	237-65	1	O-Ring	21	3230-6	3	Bolt-CARR
9:2	237-80	1	O-Ring	22	2412-129	2	Clamp-Hose
10	59-7410	1	Fitting-Diagnostic	23	117-0689	2	Plate-Mount, Tube Clamps
10:1	237-42	1	O-Ring	24	33-5790	1	Bolt-CARR
11	354-79	2	Cap-Dust	25	2412-102	1	Clamp-R
12	3256-23	4	Washer-Plain	26	32128-43	1	Nut-Flange
13	322-14	4	Screw-HH	27	3234-11	1	Screw-HHF
14	340-129	2	Fitting-Elbow, 90 DEG	28	117-0680	1	Hose ASM



Hydraulic Pump and Filter Assembly (continued)

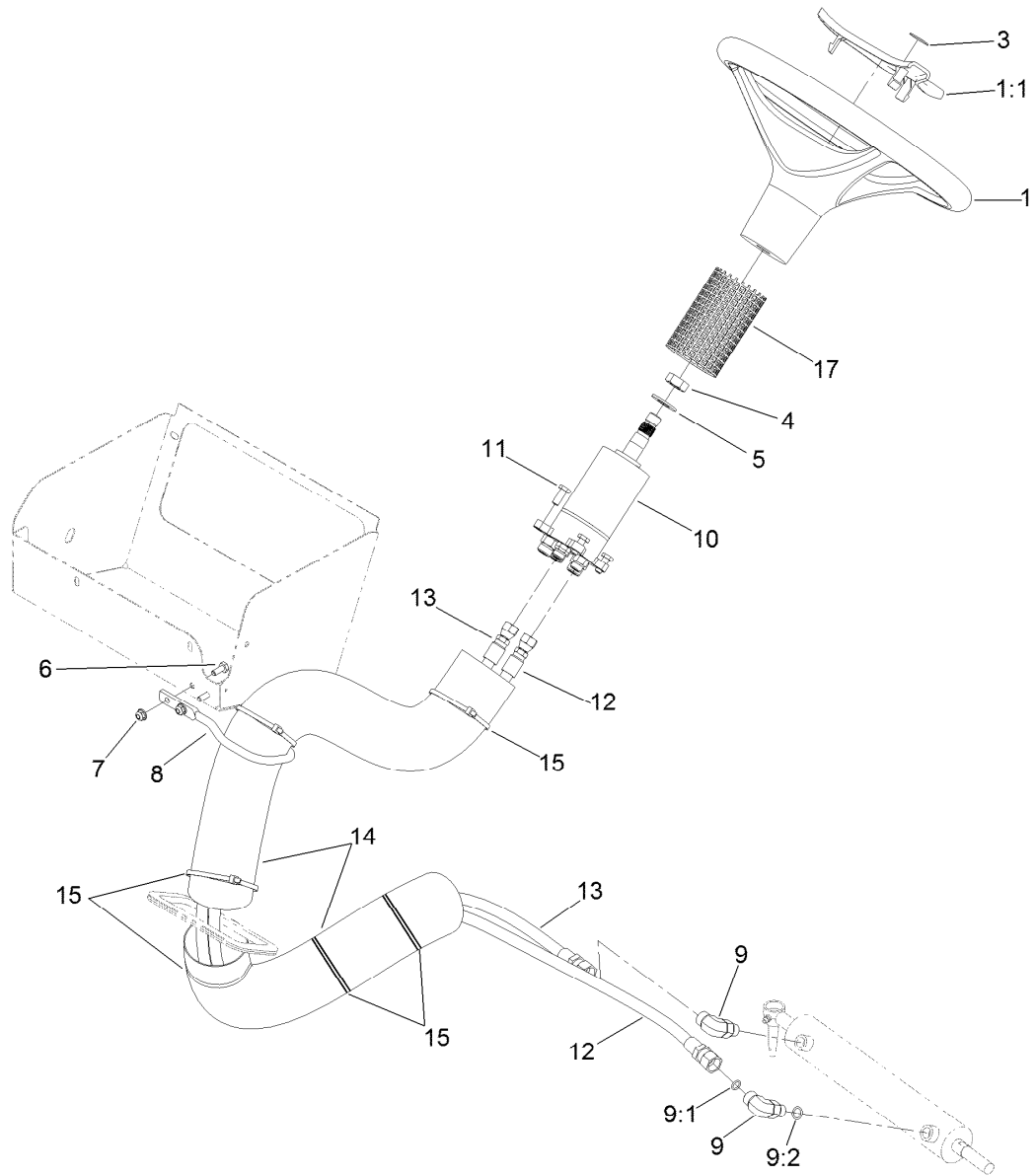
<i>Ref.</i>	<i>Part Number</i>	<i>Qty.</i>	<i>Description</i>	<i>Ref.</i>	<i>Part Number</i>	<i>Qty.</i>	<i>Description</i>
29	117-0682	1	Hose ASM	36	138-6196	1	Hose ASM
30	138-6265	1	Hose ASM	37	340-92	1	Fitting-Straight
31	119-5045	1	Hose-Suction	37:1	237-78	1	O-Ring
32	138-6266	1	Hose-ASM	37:2	237-21	1	O-Ring
33	125-5853	1	HYD-Hose	38	340-6	1	Fitting-Straight
34	94-3688	1	Sleeve-Protective	38:1	237-30	1	O-Ring
35	94-9580	1	Clamp-J	38:2	237-80	1	O-Ring



Pump Control Valve Assembly No. 117-0708

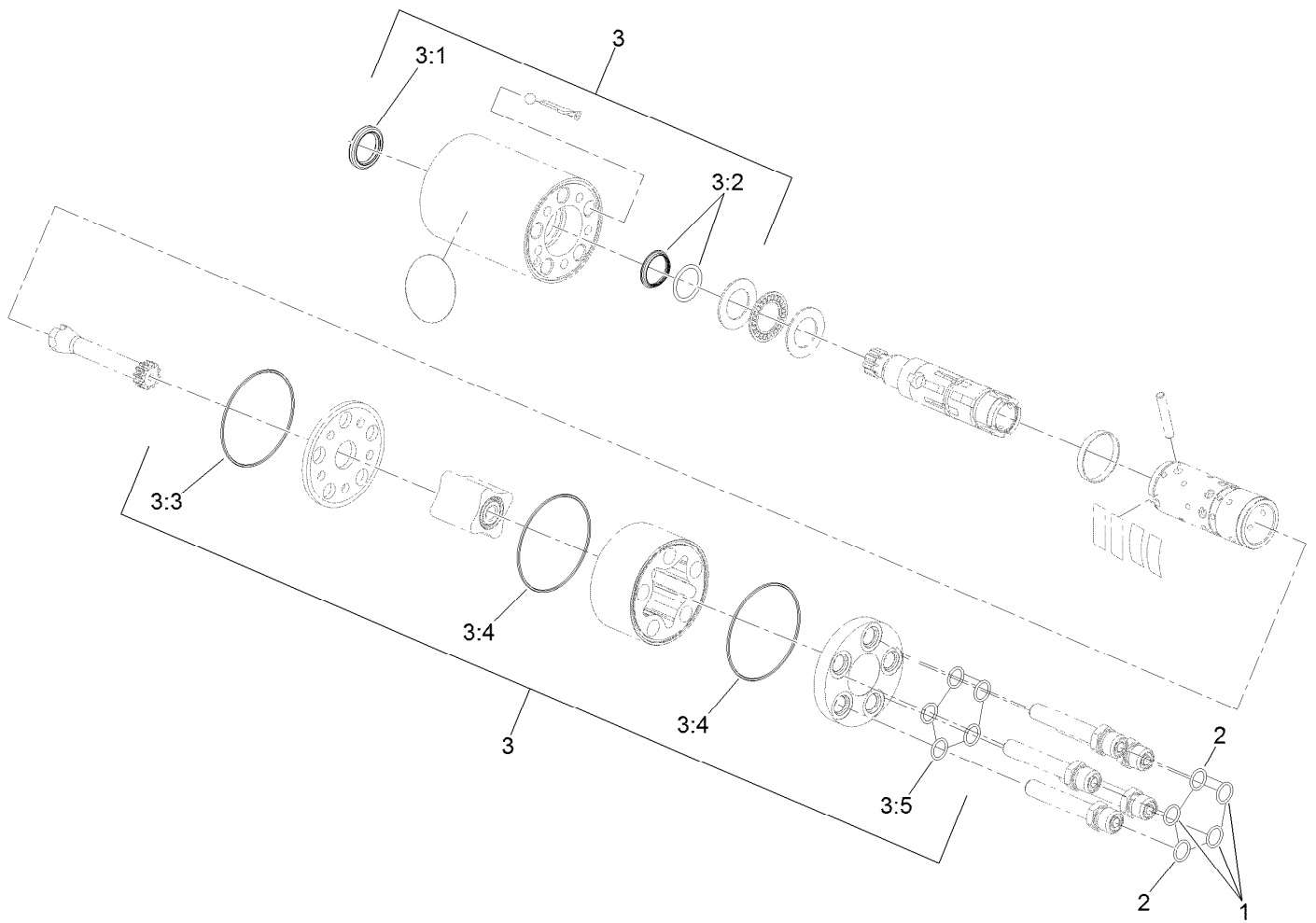
Ref.	Part Number	Qty.	Description
3	353-512	4	Plug
3:1	237-78	1	O-Ring
4	110-8881	1	Valve-Check
4:1	105-9159	1	Seal Kit ●
5	120-1660	1	Compensator-Pressure
5:1	107-7813	1	Seal Kit ●
6	117-8312	1	Valve-Relief
6:1	105-9156	1	Seal Kit
7	120-2590	1	Valve-Flow Control
7:1	114-5515	1	Seal Kit
8	120-2589	1	Coil-12Vdc
9	107-1987	1	Orifice-0.040
10	117-0115	1	Plug

● Not illustrated



Steering Hydraulic Assembly

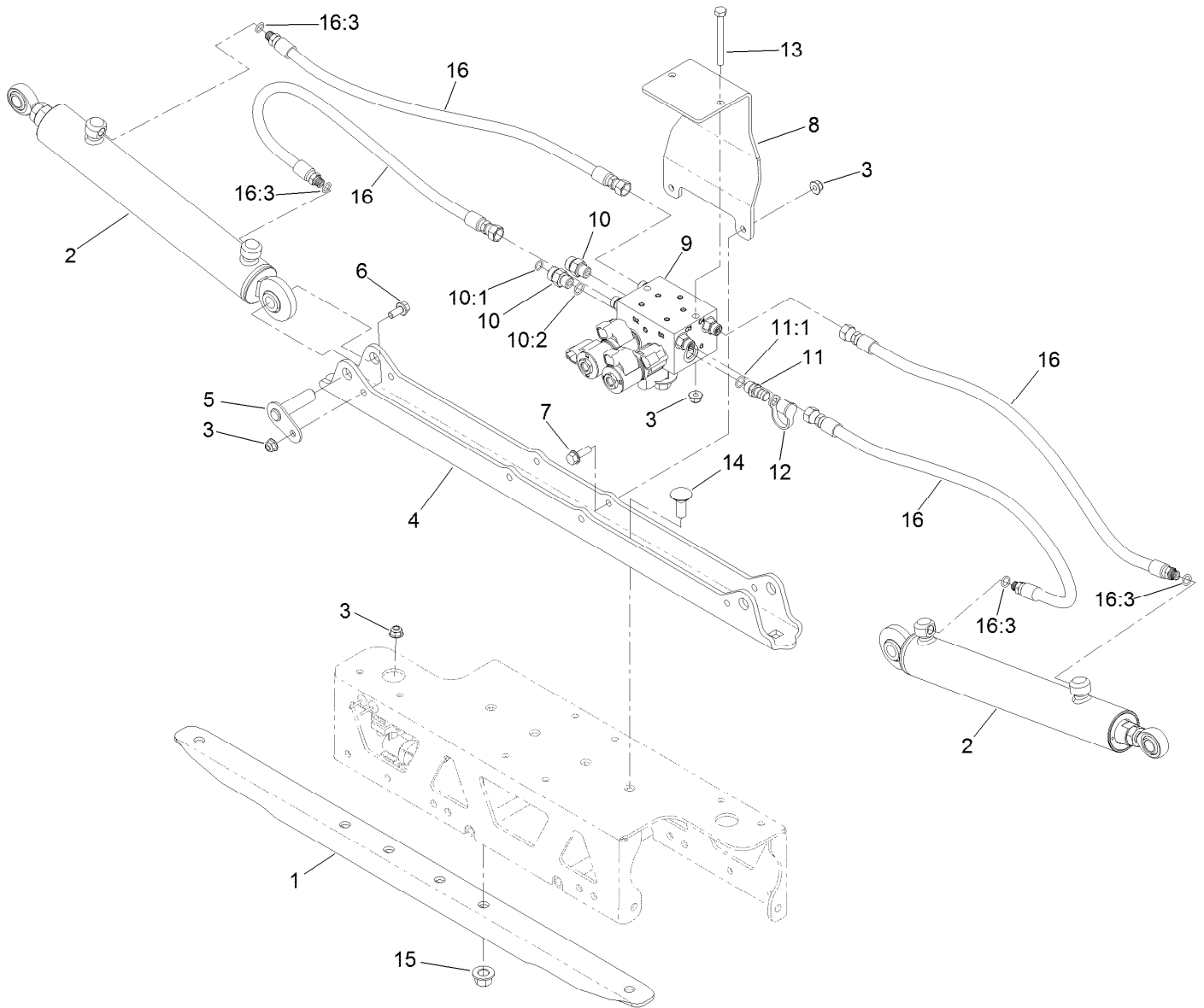
<i>Ref.</i>	<i>Part Number</i>	<i>Qty.</i>	<i>Description</i>	<i>Ref.</i>	<i>Part Number</i>	<i>Qty.</i>	<i>Description</i>
1	98-1471	1	Wheel-Steering	9:1	237-22	1	O-Ring
1:1	98-1468	1	Cover-Wheel, Steering	9:2	237-42	1	O-Ring
3	98-1459	1	Decal	10	137-7509	1	Valve-Steering
4	3296-33	1	Nut-Lock, NI	11	33114-020	4	Screw-HH
5	3256-27	1	Washer-Flat	12	117-0717	1	Hose ASM
6	321-3	2	Screw-HH	13	117-0688	1	Hose ASM
7	104-7201	2	Nut-HF	14	106-6713	2	Cover-Lines, Steering
8	119-4853	1	Guide-Hose	15	3290-379	7	Tie-Cable
9	340-77	2	Fitting-Elbow, 90 DEG	17	130-8296	1	Sleeve-Steering Cover



Steering Valve Assembly No. 137-7509

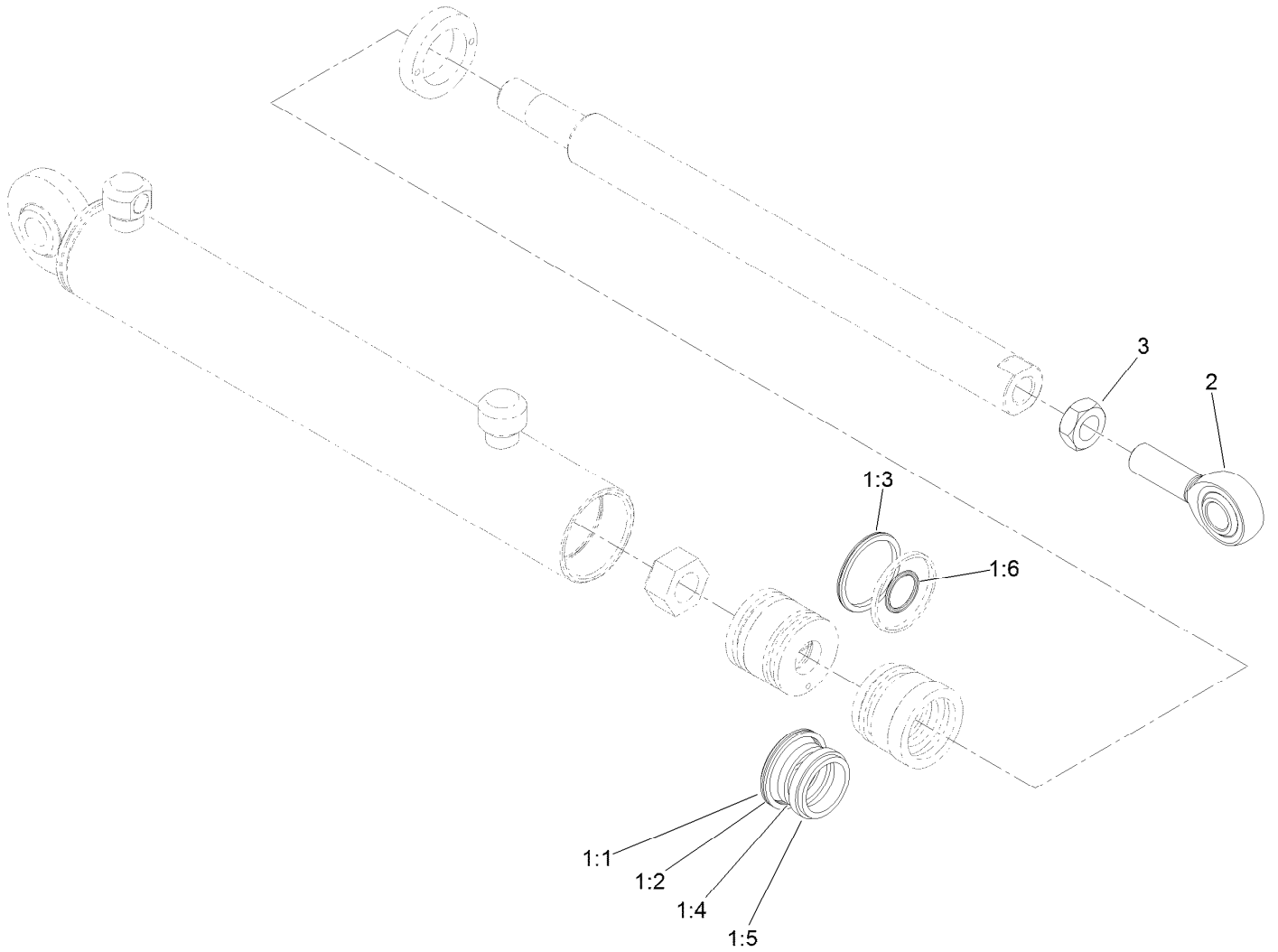
Ref.	Part Number	Qty.	Description
1	237-21	3	O-Ring
2	237-22	2	O-Ring
3	106-6716	1	Seal Kit
3:1		1	Ring-Seal, Dust ●
3:2		1	Seal-Shaft ●
3:3		1	O-Ring ●
3:4		2	O-Ring ●
3:5		5	O-Ring ●

● Not serviced separately



Boom Lift Assembly

<i>Ref.</i>	<i>Part Number</i>	<i>Qty.</i>	<i>Description</i>	<i>Ref.</i>	<i>Part Number</i>	<i>Qty.</i>	<i>Description</i>
1	131-0285-03	1	Stiffener-Channel	10:1	237-22	1	O-Ring
2	117-0701	2	Hydraulic Cylinder ASM	10:2	237-42	1	O-Ring
3	104-8300	7	Nut-HF, NI	11	59-7410	1	Fitting-Diagnostic
4	131-0275-03	1	Plate-Mount	11:1	237-42	1	O-Ring
5	112-7884	2	Pin-Pivot	12	354-79	1	Cap-Dust
6	110-5053	2	Screw-HHF	13	322-14	2	Screw-HH
7	3234-29	2	Screw-HHF	14	110-5067	4	Screw-CARR
8	130-8201-03	1	Mount-Valve	15	99-5107	4	Nut-Lock
9	136-2400	1	On-Off Boom Lift Valve ASM	16	131-0276	4	Hose ASM
10	340-2	2	Fitting-Straight	16:3	237-78	1	O-Ring

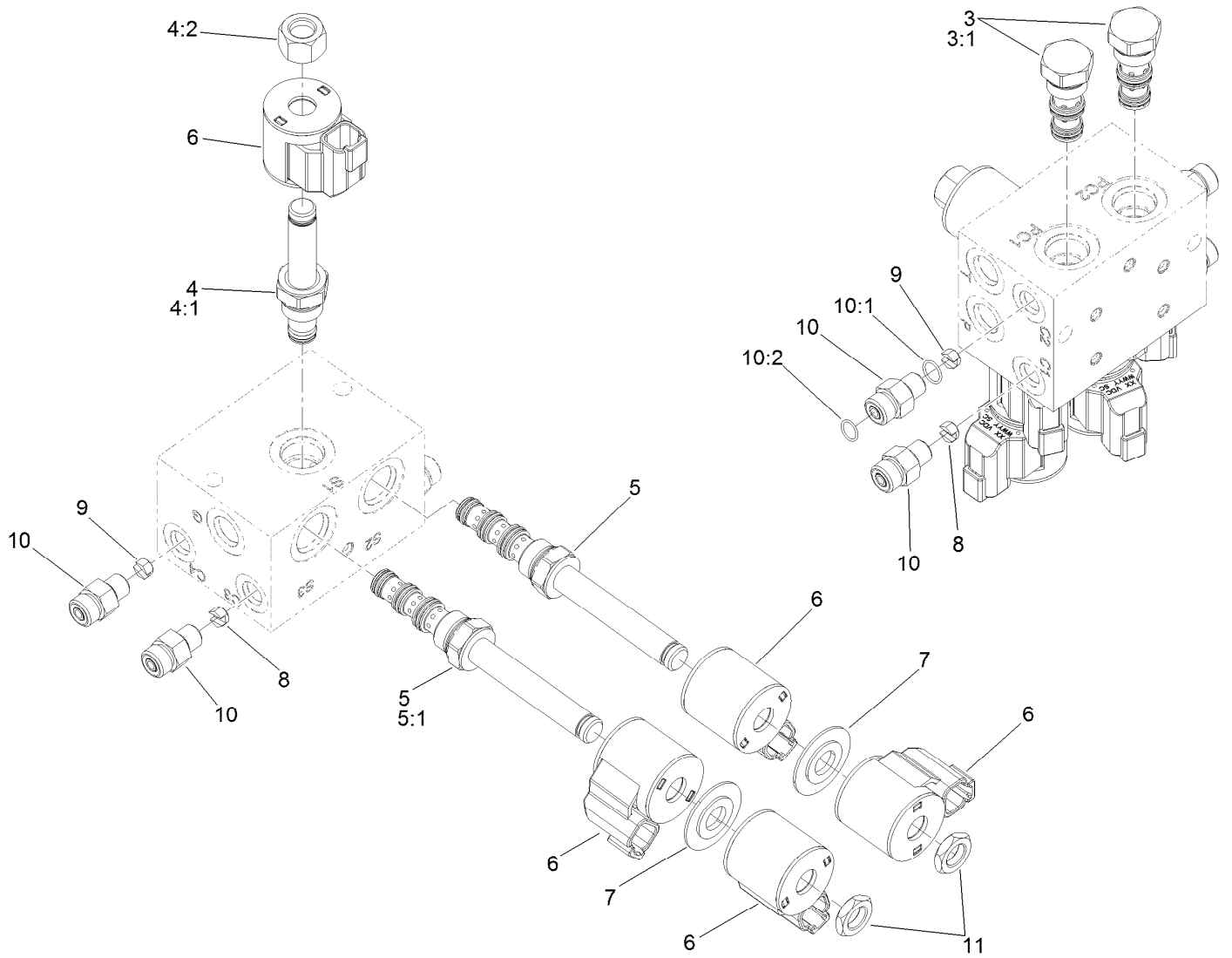


Hydraulic Cylinder Assembly No. 117-0701

Ref.	Part Number	Qty.	Description
1	119-8026	1	Seal Kit ●
1:1		1	O-Ring ■
1:2		1	Ring-Backup ■
1:3		1	Bp Seal ■
1:4		1	Bs Seal ■
1:5		1	Dust Seal ■
1:6		1	O-Ring ■
2	119-8027	1	Rod End
3	3220-6	1	Nut-Jam

● Not illustrated

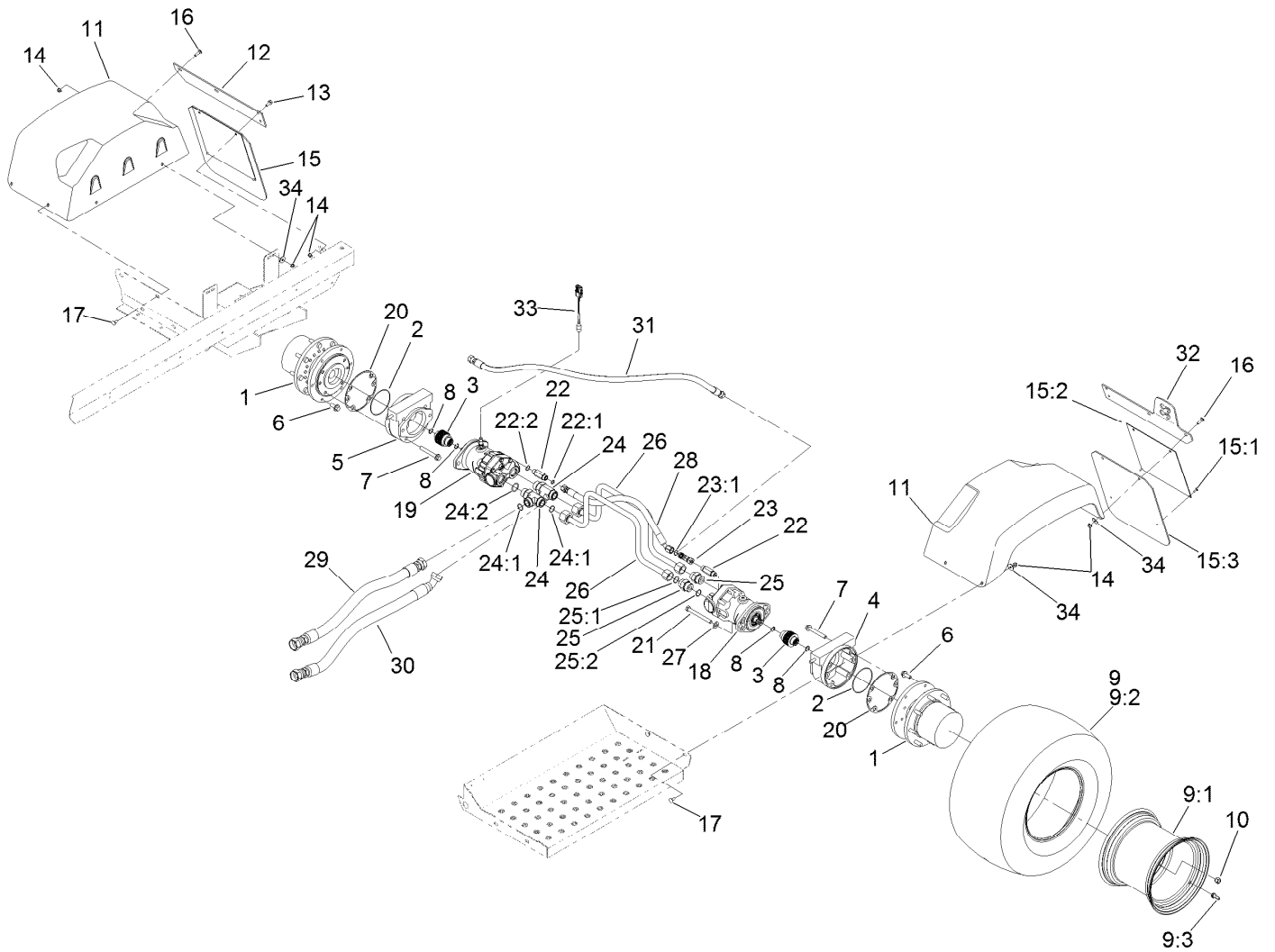
■ Not serviced separately



On-Off Boom Lift Valve Assembly No. 136-2400

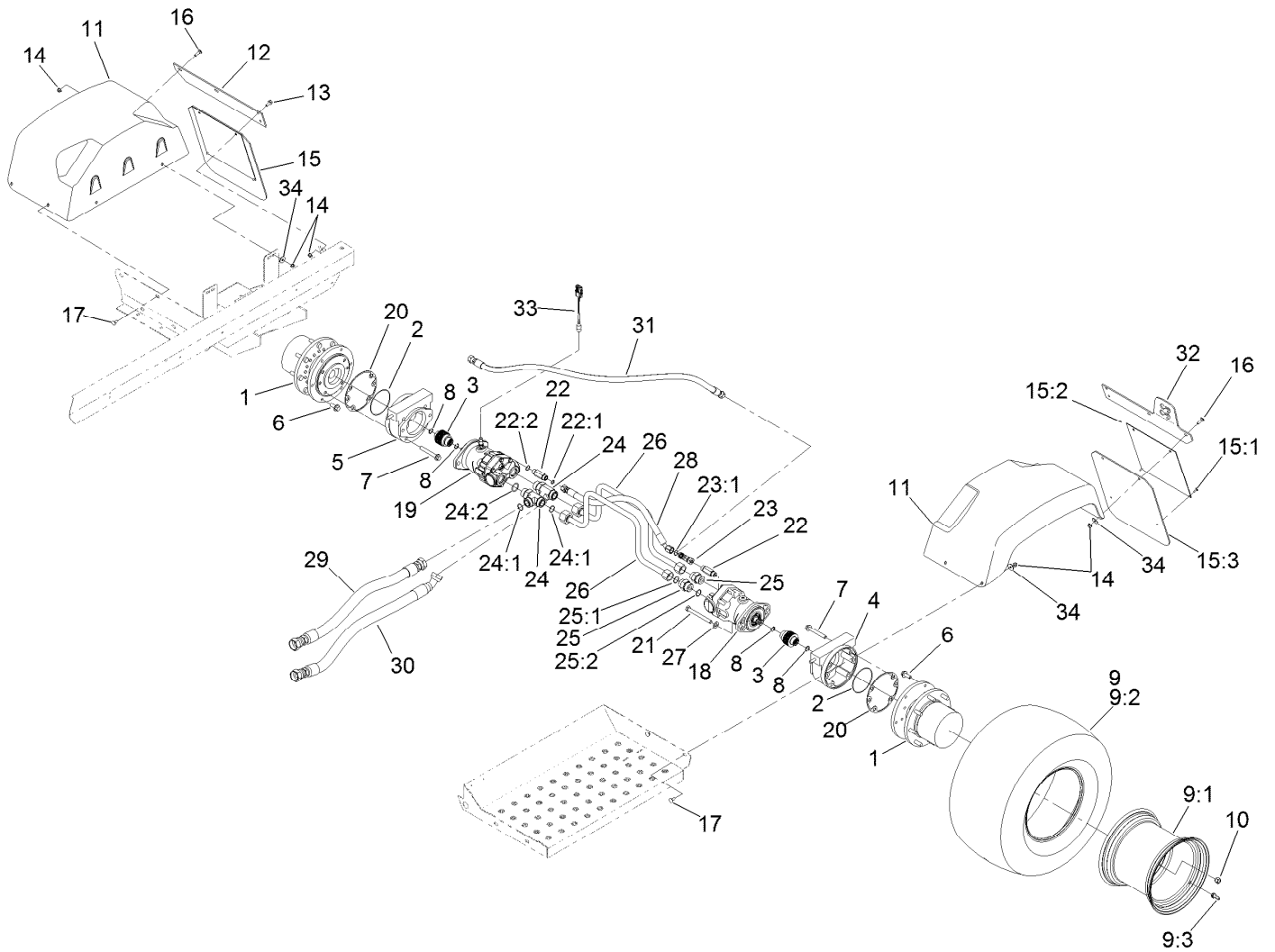
Ref.	Part Number	Qty.	Description
3	136-2430	2	Valve-Check, Po
3:1	120-0886	1	Seal Kit
4	107-7517	1	Valve-Solenoid
4:1	105-9156	1	Seal Kit
4:2	107-7812	1	Nut-Solenoid
5	120-2587	2	Valve-Solenoid
5:1	112-6520	1	Seal Kit ●
6	119-8036	5	Coil
7	120-2586	2	Spacer-Coil
8	110-8903	2	Orifice-Control, Flow (0.055)
9	125-8849	2	Orifice-Flow Control
10	340-92	4	Fitting-Straight
10:1	237-78	1	O-Ring
10:2	237-21	1	O-Ring
11	110-2634	2	Nut-Coil

● Not illustrated



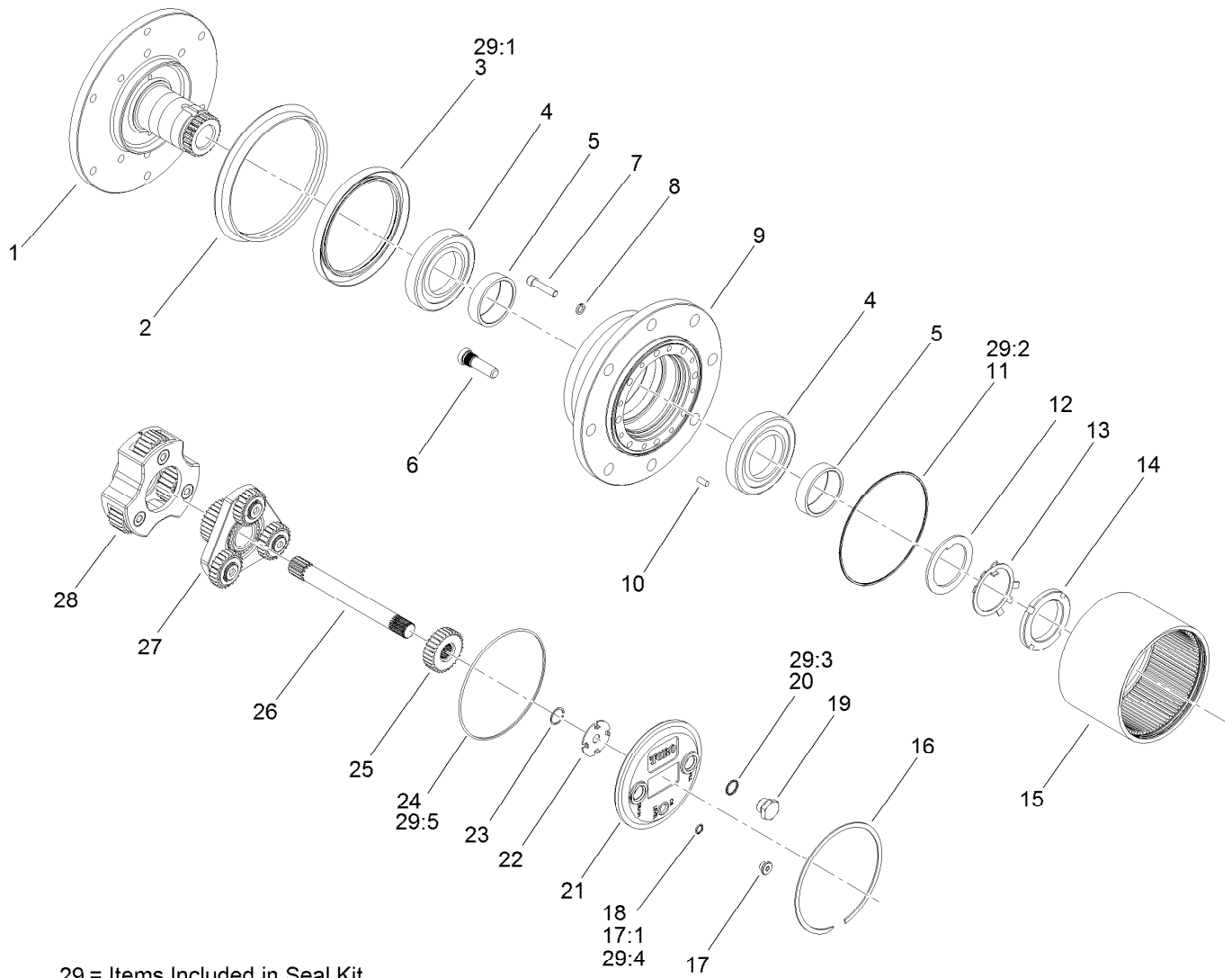
Rear Drive Assembly

Ref.	Part Number	Qty.	Description	Ref.	Part Number	Qty.	Description
1	136-2913	2	Planetary ASM	16	3230-2	4	Bolt-CARR
2	237-166	2	O-Ring	17	3230-1	8	Bolt-CARR
3	100-3046	2	Shaft-Brake, Splined	18	132-5631	1	HYD Motor ASM
4	100-3069	1	RH Brake ASM	19	136-2373	1	Motor-Hydraulic (W/Speed Sensor)
5	100-3070	1	LH Brake ASM	20	93-7984	2	Gasket
6	33106-030	12	Screw-HHF	21	33116-110	4	Screw-HH
7	33106-080	8	Screw-HHF	22	119-4854	2	Fitting-STR
8	93-7972	4	Ring-Retaining, Internal	22:1	237-30	1	O-Ring
9	133-2744	2	Tire And Wheel ASM	22:2	237-79	1	O-Ring
9:1	133-2723	1	Wheel	23	340-104	1	Fitting-Tee
9:2	133-2724	1	Tire	23:1	237-30	2	O-Ring
9:3	232-27	1	Stem-Valve	24	104-3795	2	Fitting-Tee
10	242-50	16	Nut-Lug	24:1	340-65	2	O-Ring
11	93-6498	2	Fender-Rear	24:2	237-146	1	O-Ring
12	93-6528-03	1	Strap-Mount, Fender	25	340-91	2	Fitting-STR
13	3234-5	4	Screw-HHF	25:1	237-58	1	O-Ring
14	104-8300	16	Nut-HF, NI	25:2	237-146	1	O-Ring
15	94-7127	2	Splash Guard ASM	26	117-0674	2	Tube-Traction
15:1	114439	2	Rivet-Blind	27	33096-00	4	Washer-Flat
15:2	94-7128-03	1	Plate-Guard, Splash	28	131-9634	1	Hydraulic Hose ASM
15:3	94-7129	1	Guard-Splash				



Rear Drive Assembly (continued)

<i>Ref.</i>	<i>Part Number</i>	<i>Qty.</i>	<i>Description</i>	<i>Ref.</i>	<i>Part Number</i>	<i>Qty.</i>	<i>Description</i>
29	120-8563	1	Hose ASM	32	136-2308-03	1	Support-Mount, Drain
30	120-8564	1	Hose ASM	33	136-2339	1	Harness-Wire, Adaptor
31	119-0582	1	Hose ASM	34	3256-82	12	Washer-Flat

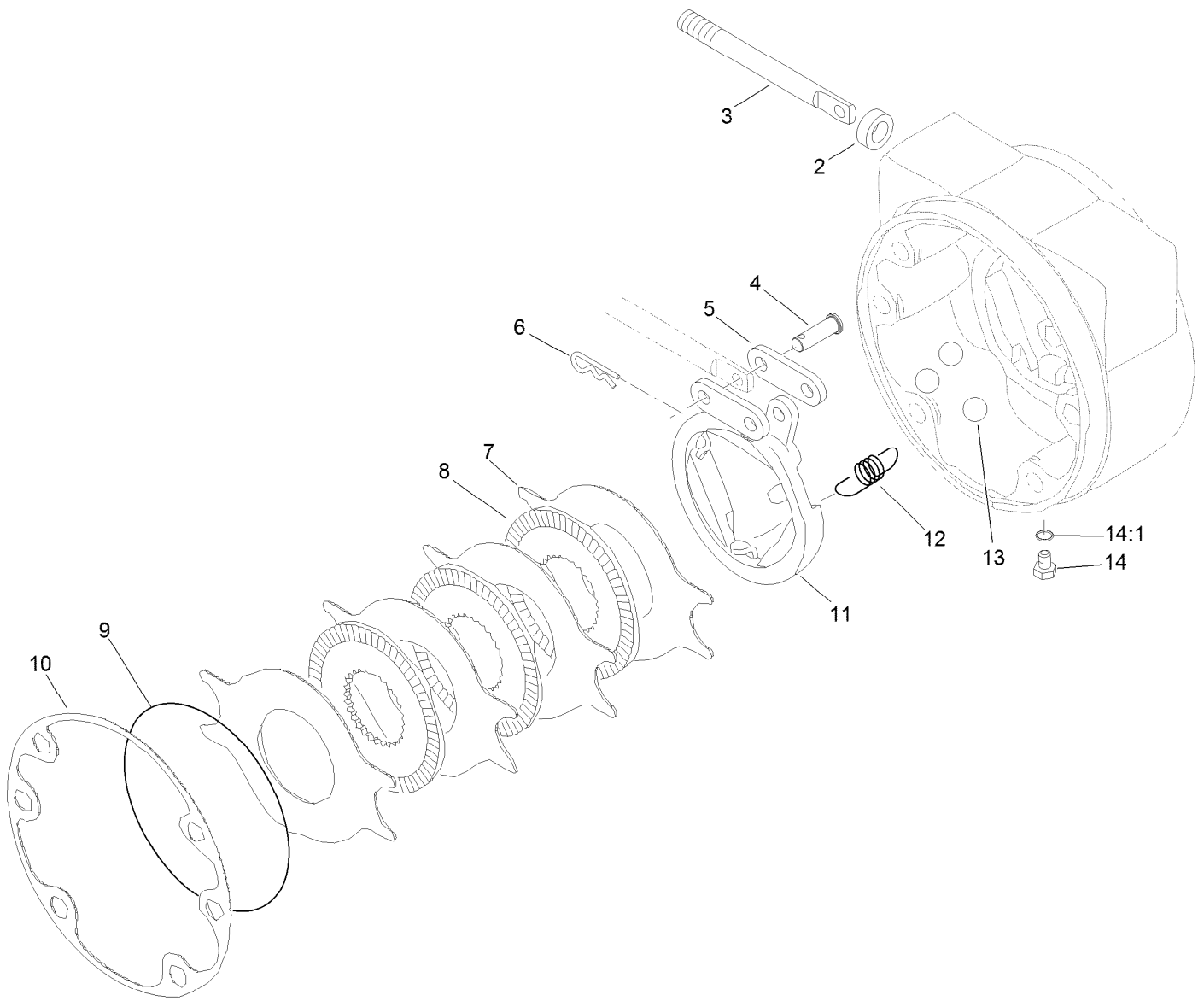


29 = Items Included in Seal Kit

Planetary Assembly No. 136-2913

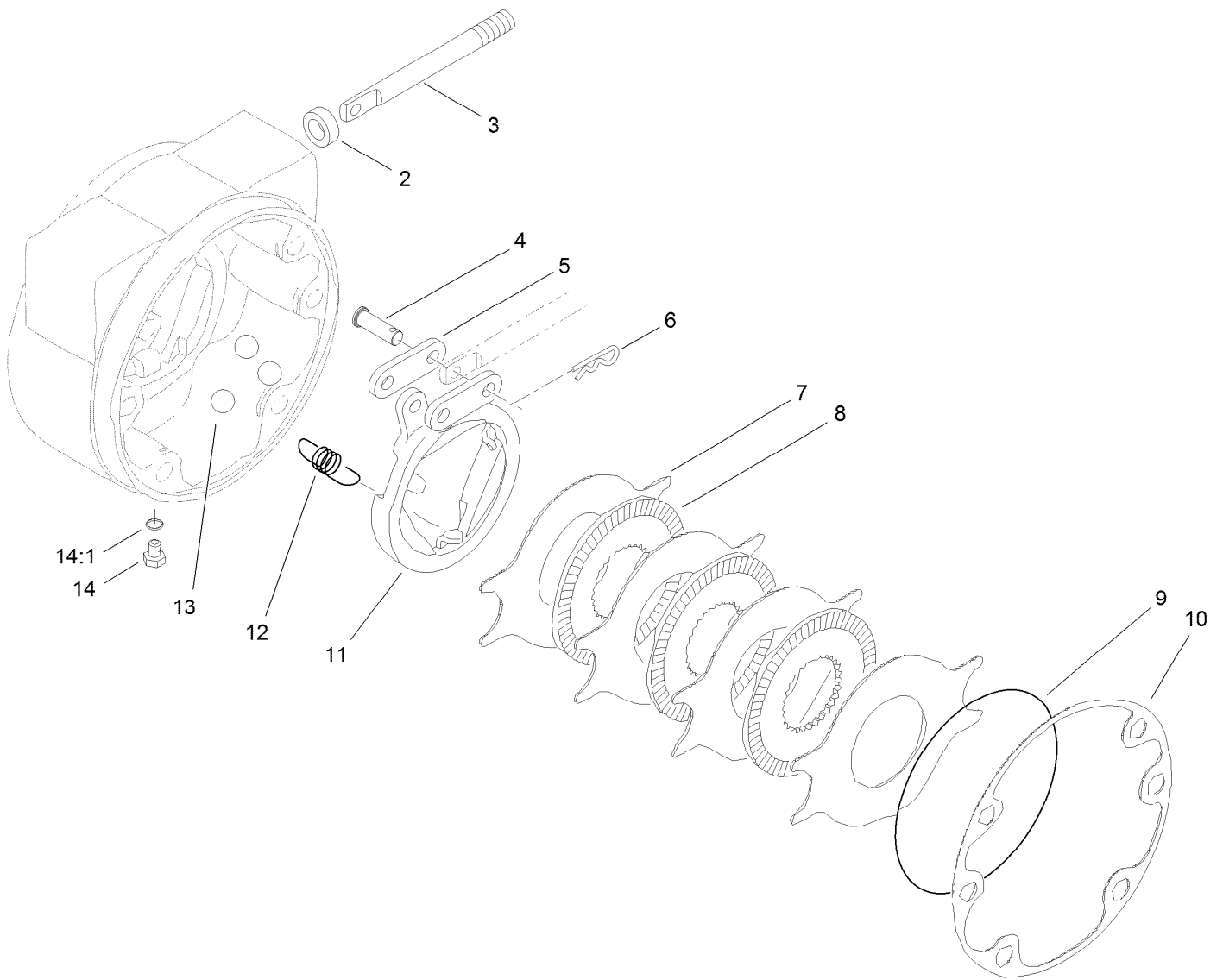
Ref.	Part Number	Qty.	Description	Ref.	Part Number	Qty.	Description
1		1	Spindle ●	18	237-78	1	O-Ring
2	138-1204	1	Seal-Boot	19	138-1211	2	Plug-Flange, Magnetic
3		1	Seal-Lip ●	20	138-1212	2	O-Ring
4	138-1205	2	Bearing-Cup	21	138-1213	1	Cap-End
5	138-1206	2	Bearing-Cone	22	138-1214	1	Washer-Thrust, Sun
6	105-8124	8	Stud-Wheel	23	105-8131	2	Ring-Retaining
7	138-1207	8	Screw-Socket Head	24		1	O-Ring ●
8	138-1208	8	Washer-Lock	25	138-1215	1	Gear-Primary, Sun
9		1	Housing ●	26	138-1216	1	Shaft-Drive
10	105-8121	4	Pin-Dowel	27	138-1217	1	Primary Carrier ASM
11		1	O-Ring ●	28	138-1218	1	Secondary Carrier ASM
12	138-6928	1	Spacer	29	138-1219	1	Seal Kit
13	138-6929	1	Washer	29:1		1	Seal-Lip ●
14	138-6930	1	Nut-Lock	29:2		1	O-Ring ●
15	138-1209	1	Gear-Ring	29:3		1	O-Ring ●
16	138-1210	1	Ring-Snap	29:4		1	O-Ring ●
17	353-990	1	Plug ASM	29:5		1	O-Ring ●
17:1	237-78	1	O-Ring				

● Not serviced separately



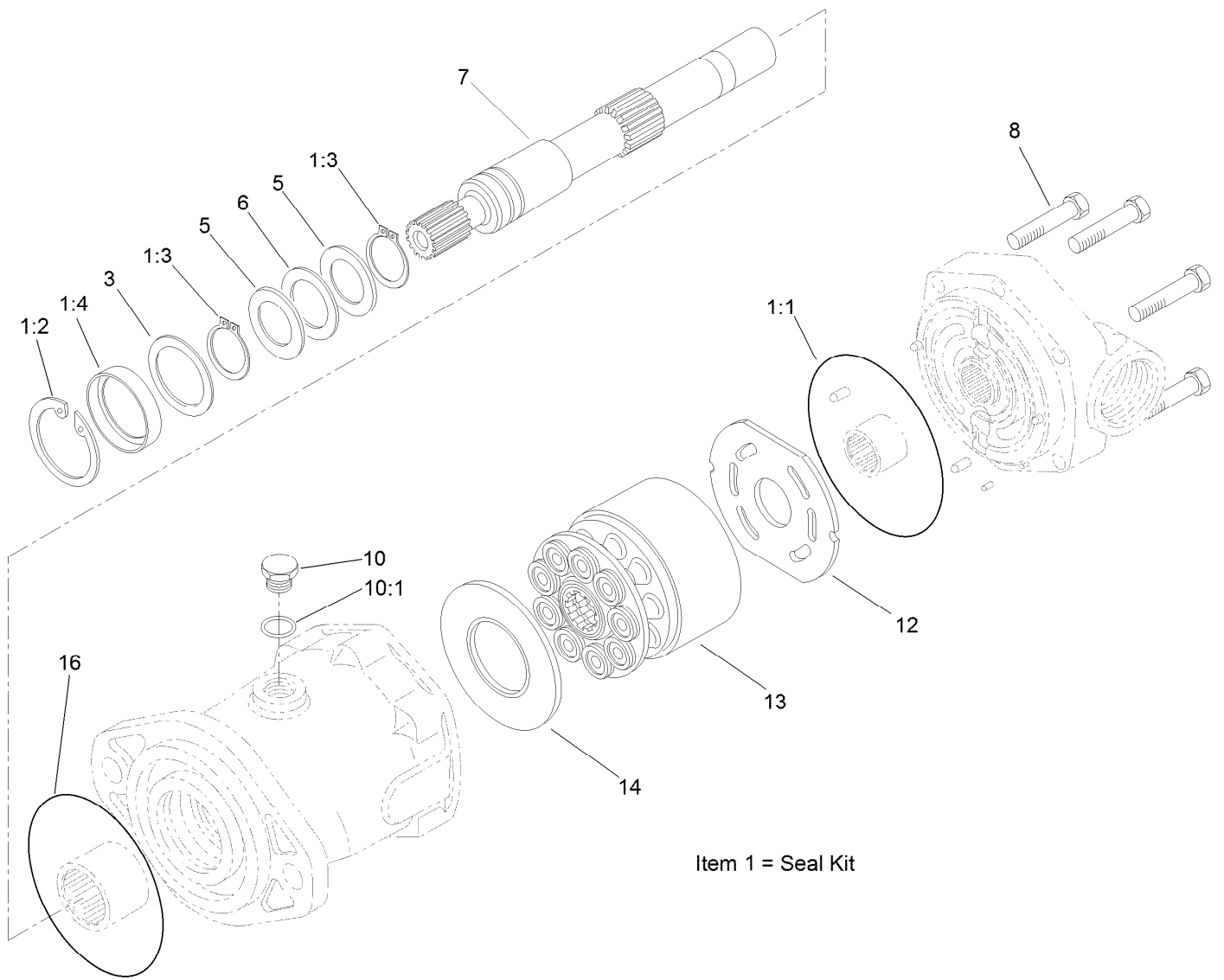
RH Brake Assembly No. 100-3069

Ref.	Part Number	Qty.	Description
2	93-7977	1	Seal
3	93-7978	1	Rod-Pull
4	93-7983	2	Pin-Clevis
5	93-7980	2	Link
6	93-7979	2	Pin-Hitch
7	93-7986	4	Disc-Stationary
8	104-4278	3	Disc-Rotating
9	93-7976	1	Ring-Retaining
10	93-7984	1	Gasket
11	104-4280	1	Actuator-Rotating
12	93-7987	3	Spring-Extension
13	93-7985	3	Ball
14	353-990	2	Plug ASM
14:1	237-78	1	O-Ring



LH Brake Assembly No. 100-3070

<i>Ref.</i>	<i>Part Number</i>	<i>Qty.</i>	<i>Description</i>
2	93-7977	1	Seal
3	93-7978	1	Rod-Pull
4	93-7983	2	Pin-Clevis
5	93-7980	2	Link
6	93-7979	2	Pin-Hitch
7	93-7986	4	Disc-Stationary
8	104-4278	3	Disc-Rotating
9	93-7976	1	Ring-Retaining
10	93-7984	1	Gasket
11	104-4279	1	Actuator-Rotating
12	93-7987	3	Spring-Extension
13	93-7985	3	Ball
14	353-990	2	Plug ASM
14:1	237-78	1	O-Ring

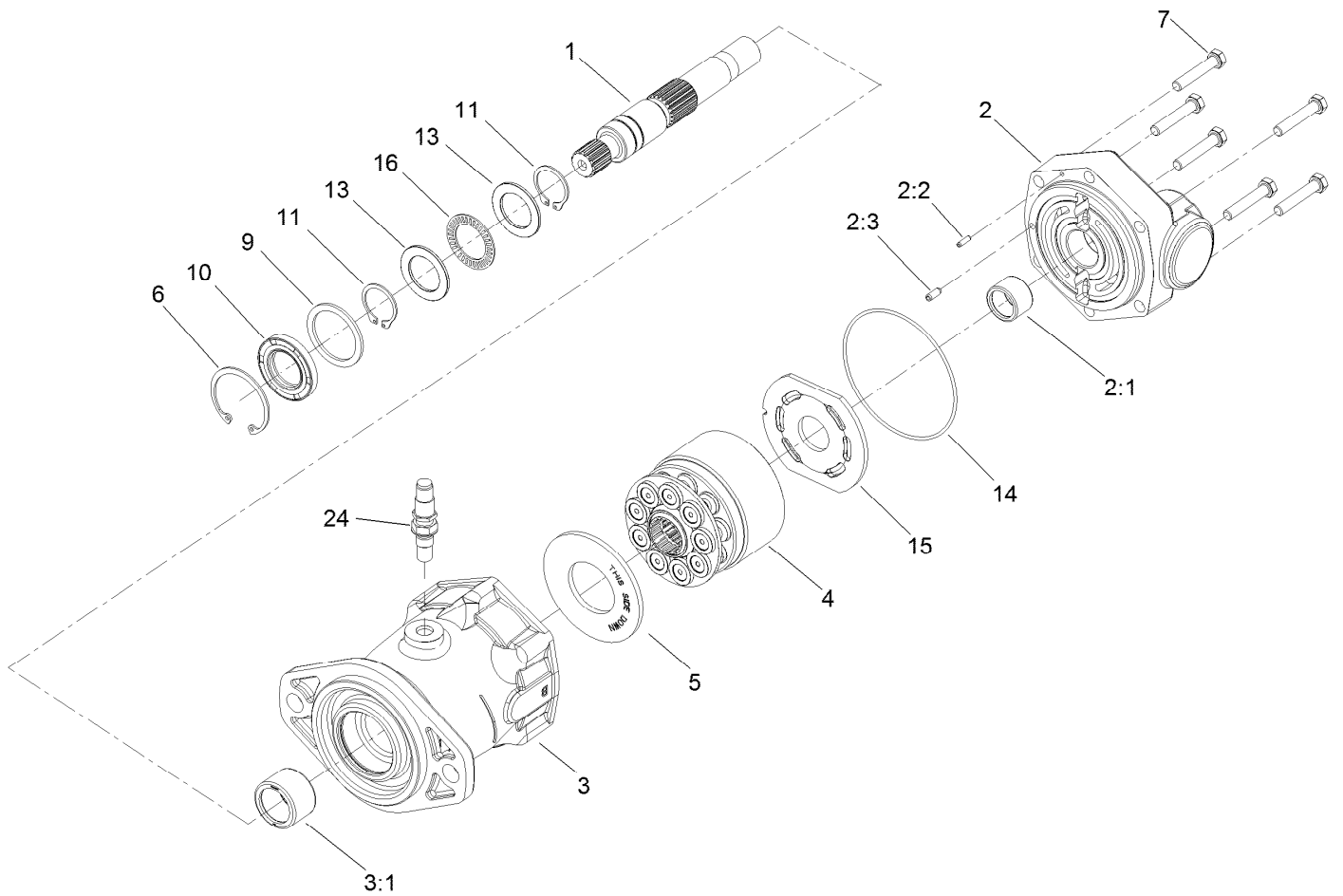


Hydraulic Motor Assembly No. 132-5631

Ref.	Part Number	Qty.	Description	Ref.	Part Number	Qty.	Description
1	106-6876	1	Seal Kit	7	94-3004	1	Shaft-Drive, Splined
1:1		1	O-Ring ●■	8	94-3002	6	Screw-Cap
1:2	76-7010	1	Ring-Retaining ●	10	94-3009	1	Plug
1:3	76-7000	2	Ring-Retaining ●	10:1		1	O-Ring ■
1:4		1	Seal-Shaft ●■	12	94-3003	1	Plate-Valve
3	60-6240	1	Washer	13	76-6910	1	Rotating Kit
5	76-6950	2	Race-Thrust	14	76-6970	1	Insert-Plate, Cam
6	76-6960	1	Bearing-Thrust	16	237-166	1	O-Ring

● Not illustrated

■ Not serviced separately

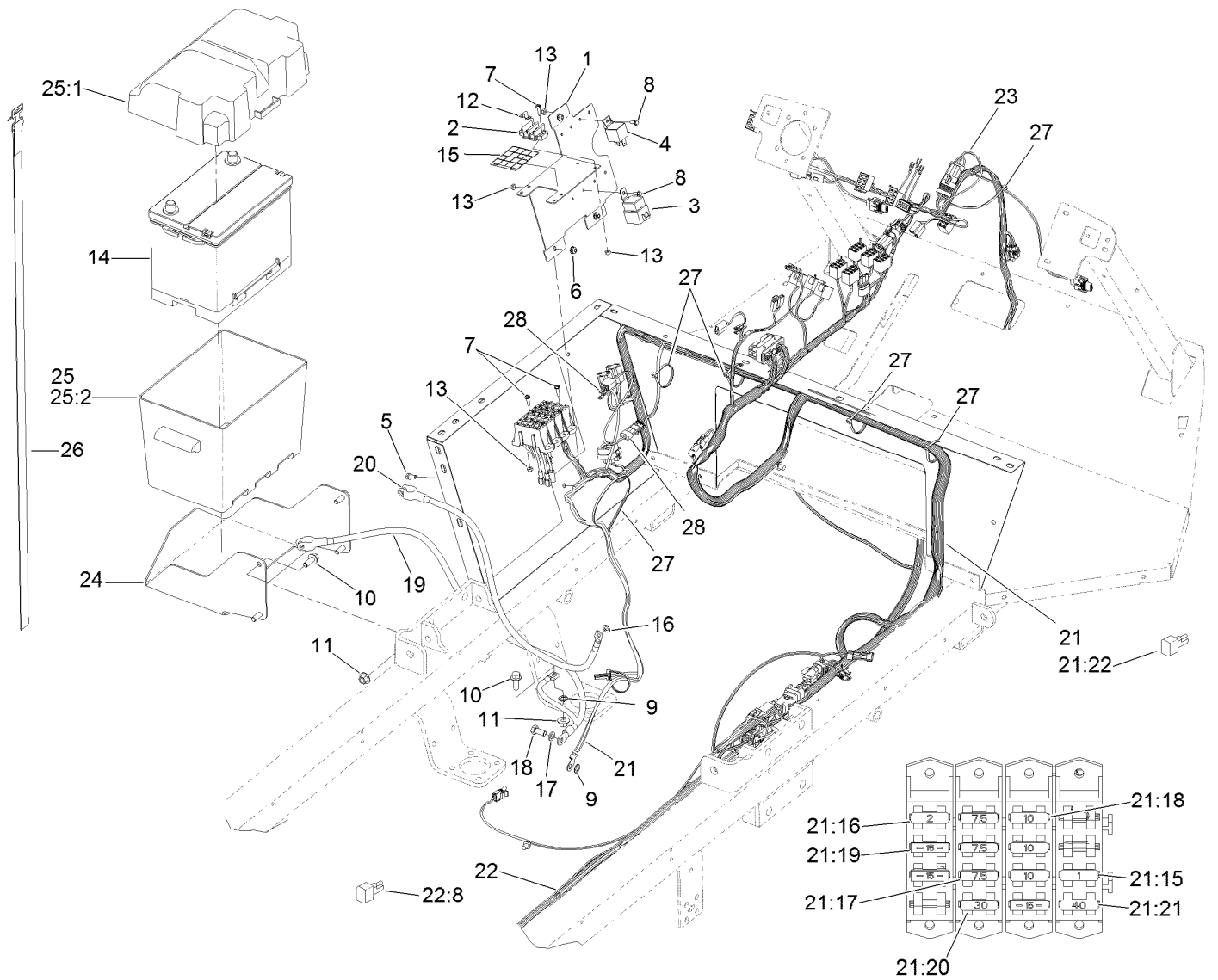


Hydraulic Motor Assembly No. 136-2373

Ref.	Part Number	Qty.	Description	Ref.	Part Number	Qty.	Description
1	94-3004	1	Shaft-Drive, Splined	10	106-6876	1	Seal Kit
2	136-2366	1	Backplate ASM	10:1		1	O-Ring ■●
2:1	136-2367	1	Bearing	10:2	76-7010	1	Ring-Retaining ●
2:2	136-2369	1	Pin-Roll	10:3	76-7000	2	Ring-Retaining ●
2:3	136-2370	1	Pin-Roll	10:4		1	Seal-Shaft ■●
3	136-2365	1	Housing ASM	11	76-7000	2	Ring-Retaining
3:1	136-2368	1	Bearing	13	76-6950	2	Race-Thrust
4	76-6910	1	Rotating Kit	14	76-6980	1	O-Ring
5	76-6970	1	Insert-Plate, Cam	15	94-3003	1	Plate-Valve
6	76-7010	1	Ring-Retaining	16	76-6960	1	Bearing-Thrust
7	94-3002	6	Screw-Cap	24	136-2270	1	Sensor-Speed, Wheel
9	60-6240	1	Washer				

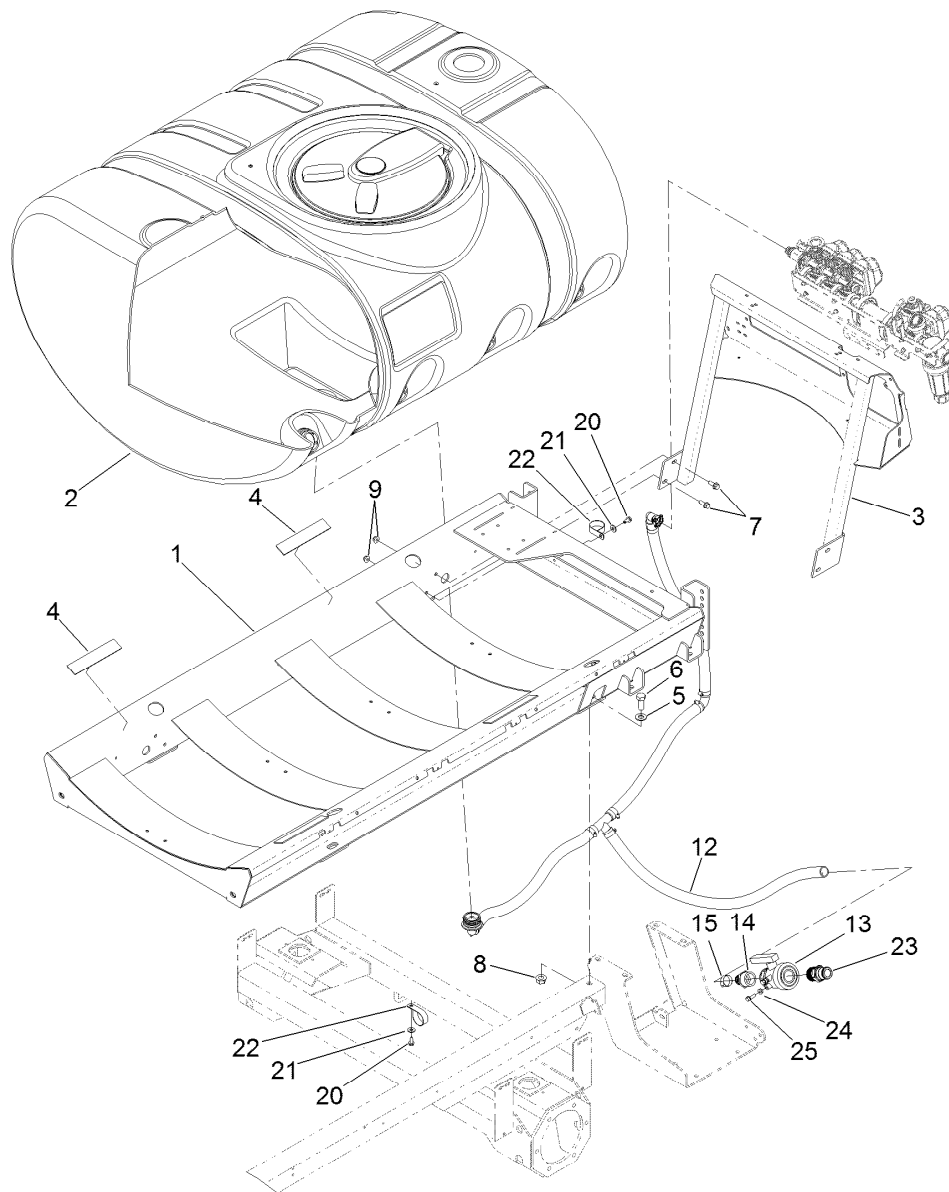
● Not illustrated

■ Not serviced separately



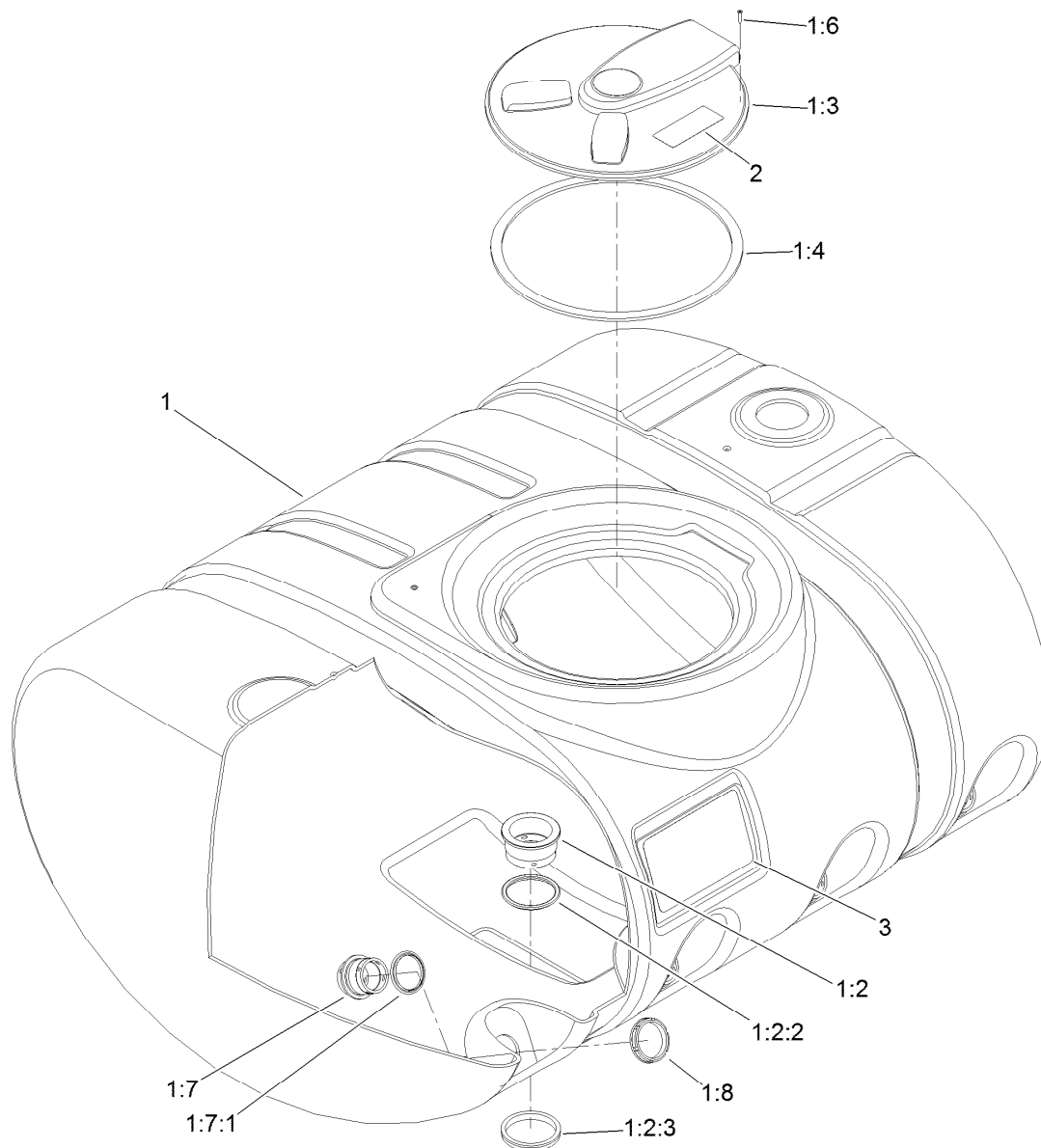
Electrical Assembly

Ref.	Part Number	Qty.	Description	Ref.	Part Number	Qty.	Description
1	133-2757-01	1	Panel-Electrical	21	122-1442	1	Harness-Wire
2	42862	1	Block-Terminal, Ground	21:15	104-9055	1	Fuse-Blade, 1 Amp
3	99-7430	1	Relay-Mini	21:16	94-6710	1	Fuse-2 Amp
4	99-7435	1	Relay	21:17	114241	3	Fuse-Blade, 7.5 Amp
5	321-3	3	Screw-HH	21:18	218-578	3	Fuse-Blade, 10 Amp
6	104-7201	3	Nut-HF	21:19	109355	3	Fuse-Blade, 15 Amp
7	32105-13	4	Screw-HWH	21:20	109103	1	Fuse-Blade, 30 Amp
8	3290-321	2	Screw-HWH	21:21	99-6124	1	Fuse-40 Amp
9	3255-9	2	Washer-Lock	21:22	100-4918	2	Diode
10	3234-11	5	Screw-HHF	22	122-0694	1	Harness-Wire, Rear
11	32128-43	5	Nut-Flange	22:8	100-4918	4	Diode
12	42863	1	Strip-Jumper	23	122-0695	1	Harness-Wire, Auto/MAN
13	3296-2	6	Nut-Lock, NI	24	119-5049-03	1	Bracket-Battery
14	106-5190	1	Battery	25	93-7595	1	Battery Box ASM
15	133-2758	1	Decal-Fuse	25:1	105-2914	1	Top-Battery Box
16	3255-8	1	Washer-Lock	25:2	105-2915	1	Bottom-Battery Box
17	48-9590	1	Washer-Lock	26	3339-175	1	Strapping-Web
18	63-7790	1	Screw-Cap	27	3290-379	6	Tie-Cable
19	120-0615	1	Cable-Battery, Negative	28	108-8657	1	Harness-Wire, Seat
20	105-0114	1	Cable-Battery, Positive				



Tank and Saddle Assembly

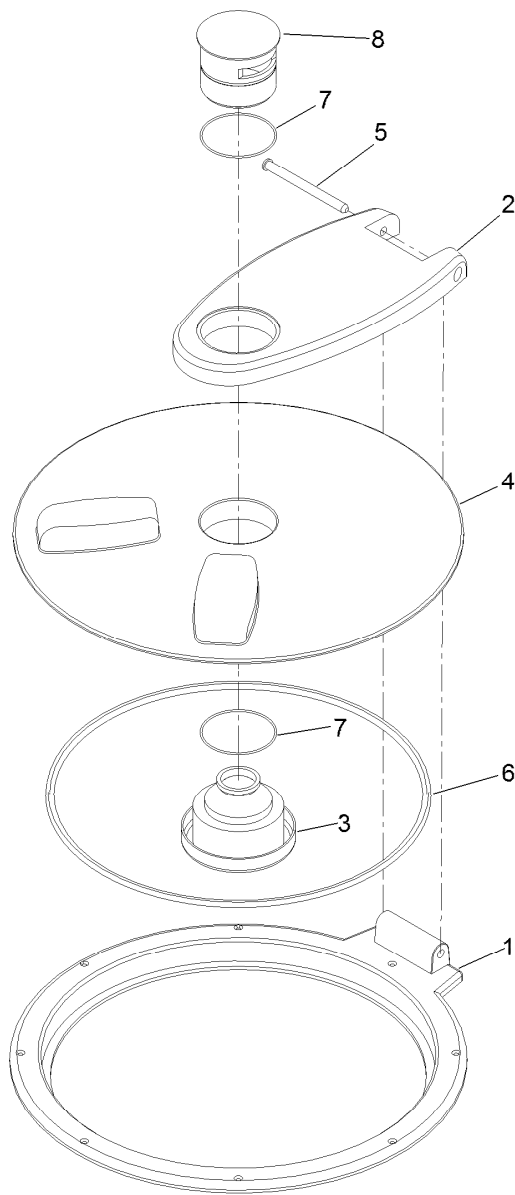
<i>Ref.</i>	<i>Part Number</i>	<i>Qty.</i>	<i>Description</i>	<i>Ref.</i>	<i>Part Number</i>	<i>Qty.</i>	<i>Description</i>
1	130-7092-03	1	Tank Saddle ASM	13	108-0069	1	Valve-Ball
2	117-8005	1	Tank ASM	14	110-5224	1	Fitting-Barbed, Straight
3	136-2289-03	1	Support-Valve	15	2412-34	1	Clamp-Hose
4	104-7102	4	Pad-Battery	20	32104-32	2	Screw-HWH
5	3256-27	4	Washer-Flat	21	3256-3	2	Washer-Flat
6	327-4	4	Screw-HH	22	2412-147	2	Clamp-R
7	3234-11	4	Screw-HHF	23	132-7787	1	Coupler-Quick
8	32128-50	4	Nut-Flange	24	32128-26	2	Nut-Flange
9	104-8301	4	Nut-HF, NI	25	3234-29	2	Screw-HHF
12	132-4297	1	Bypass Hose ASM				



Tank Assembly No. 117-8005

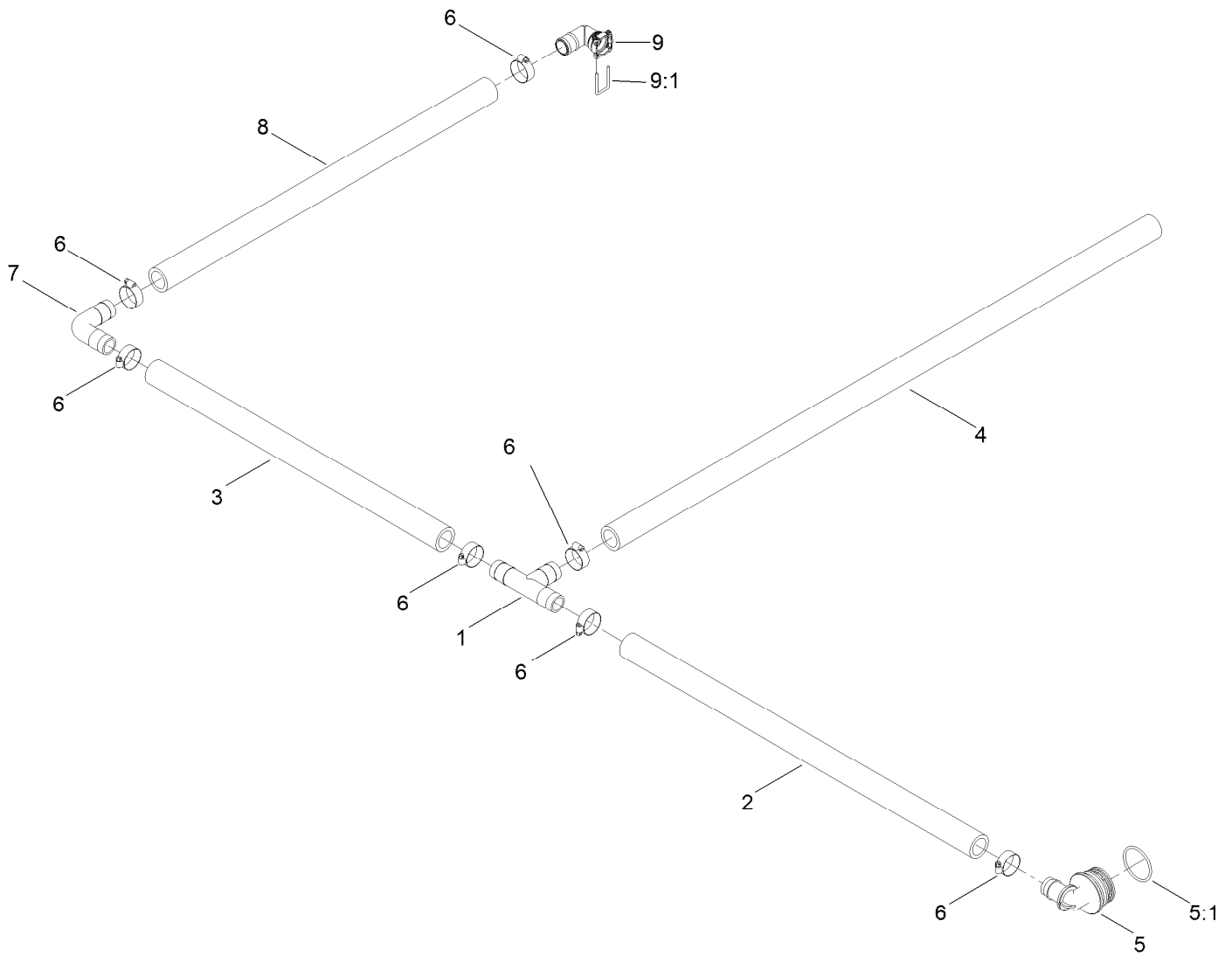
<i>Ref.</i>	<i>Part Number</i>	<i>Qty.</i>	<i>Description</i>
1		1	Tank ASM ●
1:2	117-7851	1	Bulkhead ASM
1:2:2	100-8646	1	Gasket-Bulkhead
1:2:3	100-8647	1	Nut-Bulkhead
1:3	138-6283	1	Lid ASM - Sprayer Tank
1:4	119-9378	1	Gasket-Lid, Tank
1:6	107-8635	8	Screw-PFH
1:7	108-3358	4	Fitting-Bulkhead
1:7:1	107-2864	1	Gasket-Bulkhead
1:8	100-7051	4	Nut-Bulkhead
2	120-0622	1	Decal-Warning
3	119-5042	2	Decal-Tank

● Not serviced separately



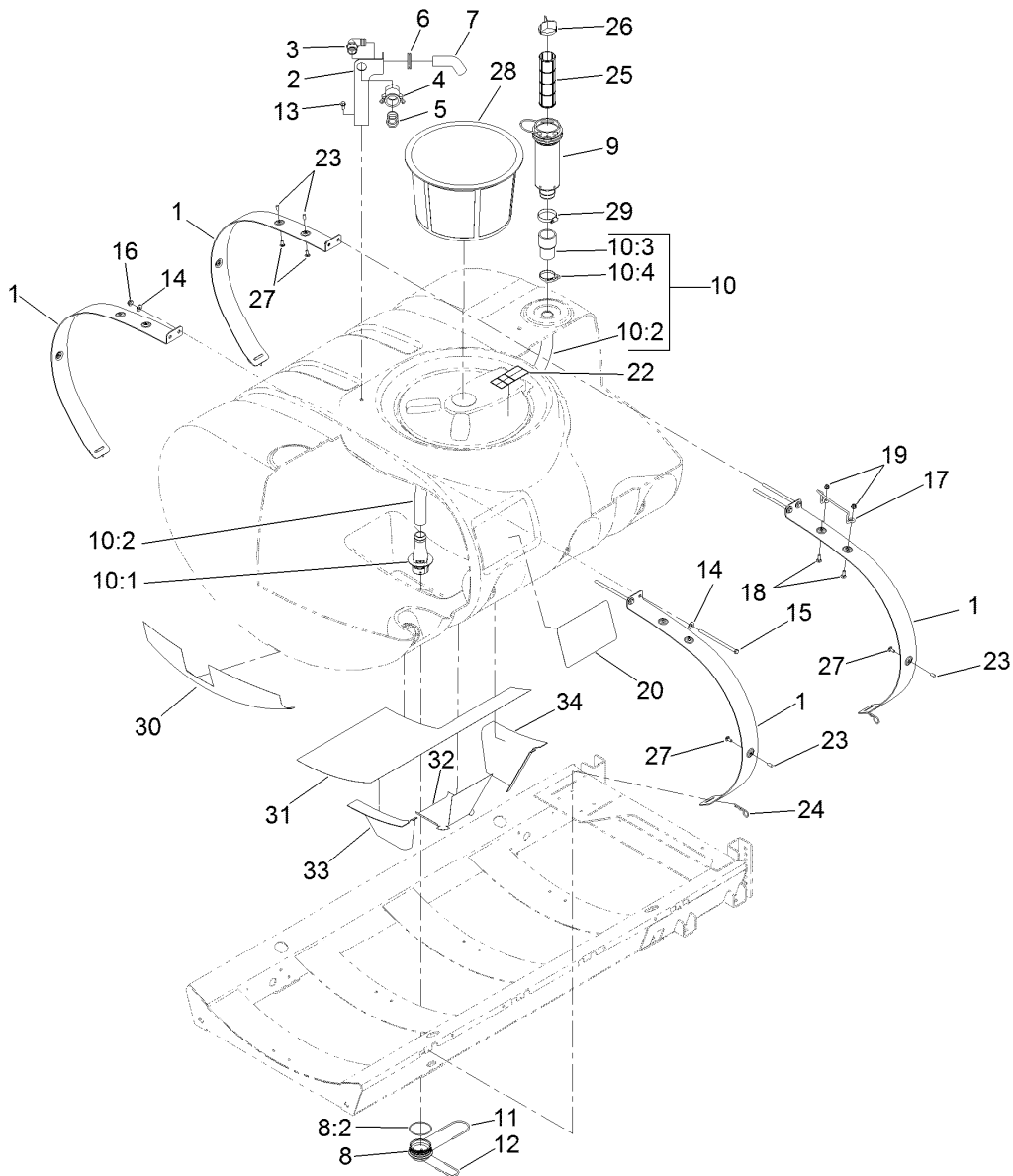
Spray Tank Lid Assembly No. 138-6283

<i>Ref.</i>	<i>Part Number</i>	<i>Qty.</i>	<i>Description</i>
1	119-9381	1	Ring-Lid
2	119-9382	1	Arm-Lid
3	119-9383	1	Vent-Lid
4	119-9384	1	Cover-Lid
5	119-9385	1	Pin-Pivot
6	138-6281	1	Seal - Tank Lid
7	119-9386	2	O-Ring
8	119-9387	1	Cap-Lid



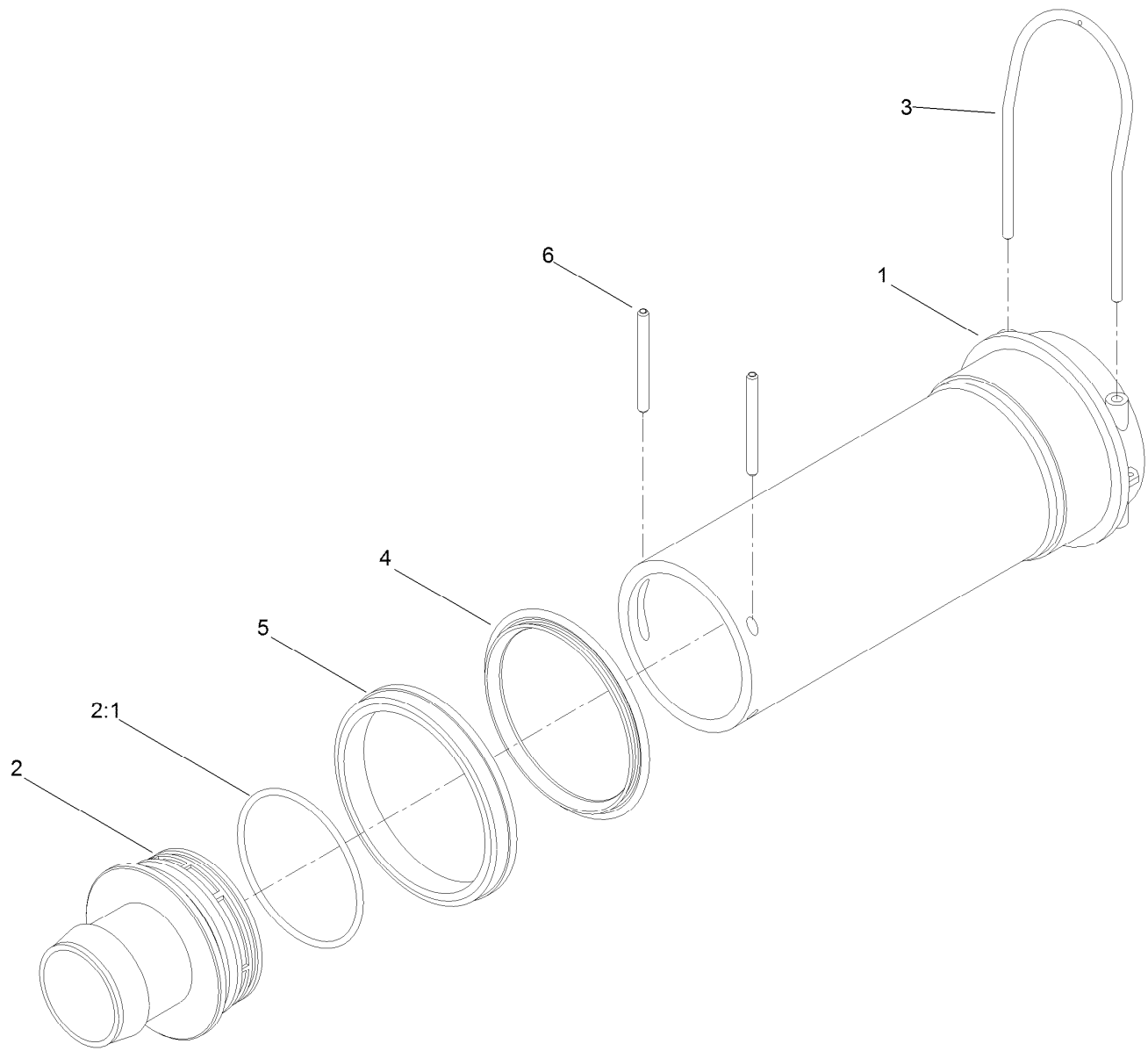
Bypass Hose Assembly No. 132-4297

Ref.	Part Number	Qty.	Description
1	117-7866	1	Tee-Hosebarb
2	131-5775	1	Hose-Drain
3	131-5825	1	Hose-Drain
4	131-5777	1	Hose-Drain
5	106-4933	1	Hosebarb ASM
5:1	100-8637	1	O-Ring
6	2412-34	7	Clamp-Hose
7	117-7867	1	Elbow-Hosebarb
8	131-5824	1	Hose-Drain
9	131-0213	1	90 DEG Barb Fitting Kit
9:1	133-0398	1	Pin-Fork



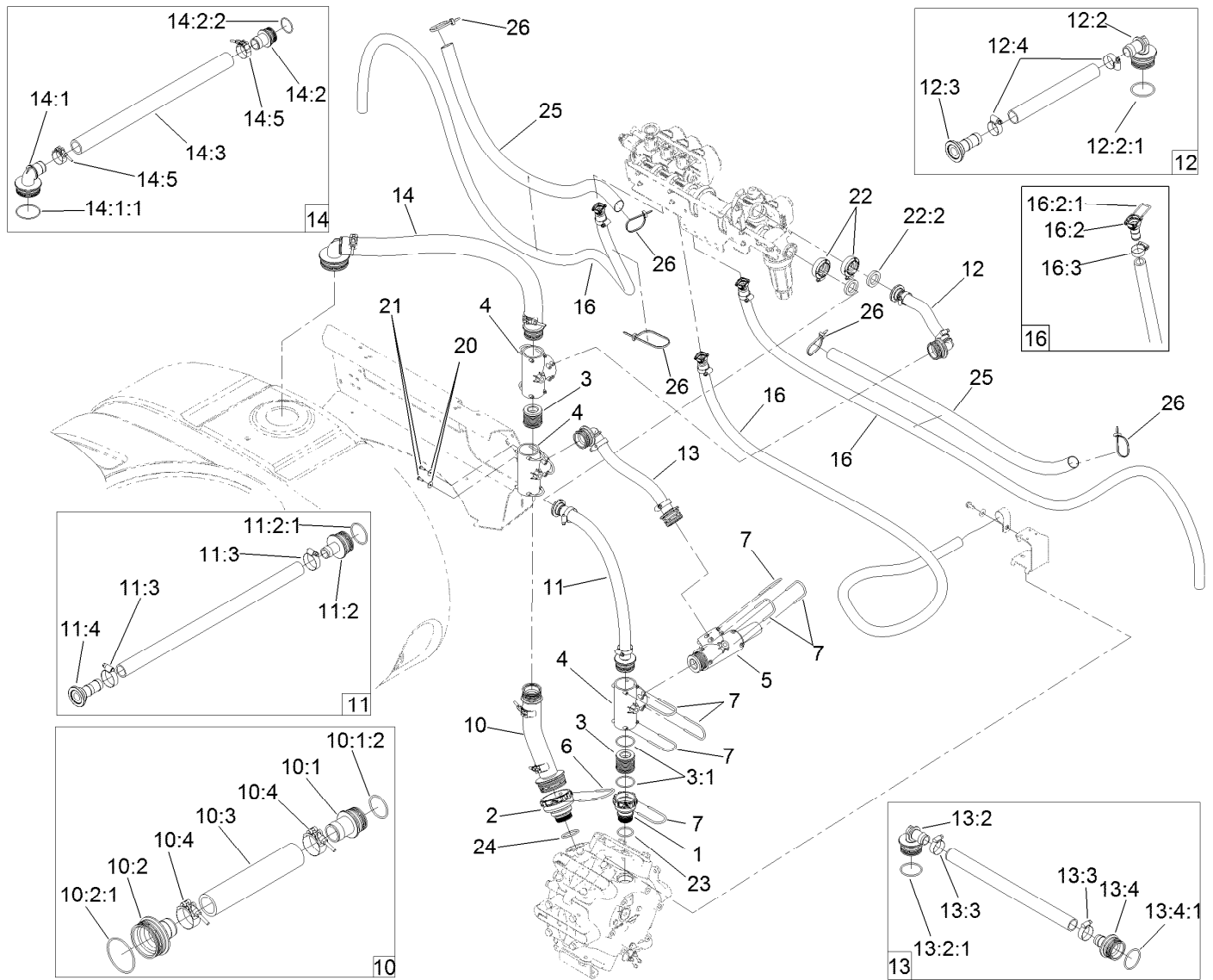
Tank Mounting and Filter Assembly

Ref.	Part Number	Qty.	Description	Ref.	Part Number	Qty.	Description
1	117-8029-03	4	Band-Tank	17	119-5019	1	Stop-Lid
2	110-5082-03	1	Bracket-Anti Siphon	18	3230-2	2	Bolt-CARR
3	41140	1	Elbow	19	104-8300	2	Nut-HF, NI
4	100-6779	1	Coupling-Female	20	131-3316	2	Decal-Tank
5	41316	1	Adapter-Quick	22	120-0622	1	Decal-Warning
6	110-5090	1	Grommet	23	42452	5	Cap-Protective
7	110-5088	1	Hose-Fill	24	3290-343	4	Pin-Hair
8	117-7928	1	Adapter ASM	25	100-6991	1	Element-Filter, Green
8:2	100-6989	1	O-Ring	25	100-6992	1	Element-Filter, Red
9	130-7096	1	Filter ASM	25	100-8642	1	Screen-Suction
10	121-5003	1	Suction Tube ASM	26	100-8641	1	Vane-Screen
10:1	121-5008	1	Foot-Suction	27	3230-1	5	Bolt-CARR
10:2	121-5030	1	Tube-Suction	28	119-9419	1	Basket-Filter
10:3	121-5031	1	Connector-Suction	29	2412-130	1	Clamp-Hose
10:4	121-5047	1	Clamp-Nylon	30	130-7139	1	Shield-Heat Tape, Front
11	117-7996	1	Fork	31	130-7140	1	Shield-Heat Tape, Bottom
12	100-8635	1	Fork	32	130-7141	1	Shield-Heat Tape, Sump
13	3234-5	1	Screw-HHF	33	131-3298	1	Shield-Heat Tape, Sump, Front
14	3256-4	8	Washer-Flat	34	131-3299	1	Shield-Heat Tape, Sump, Rear
15	120-0649	4	Bolt-TAP HH				
16	104-8301	4	Nut-HF, NI				



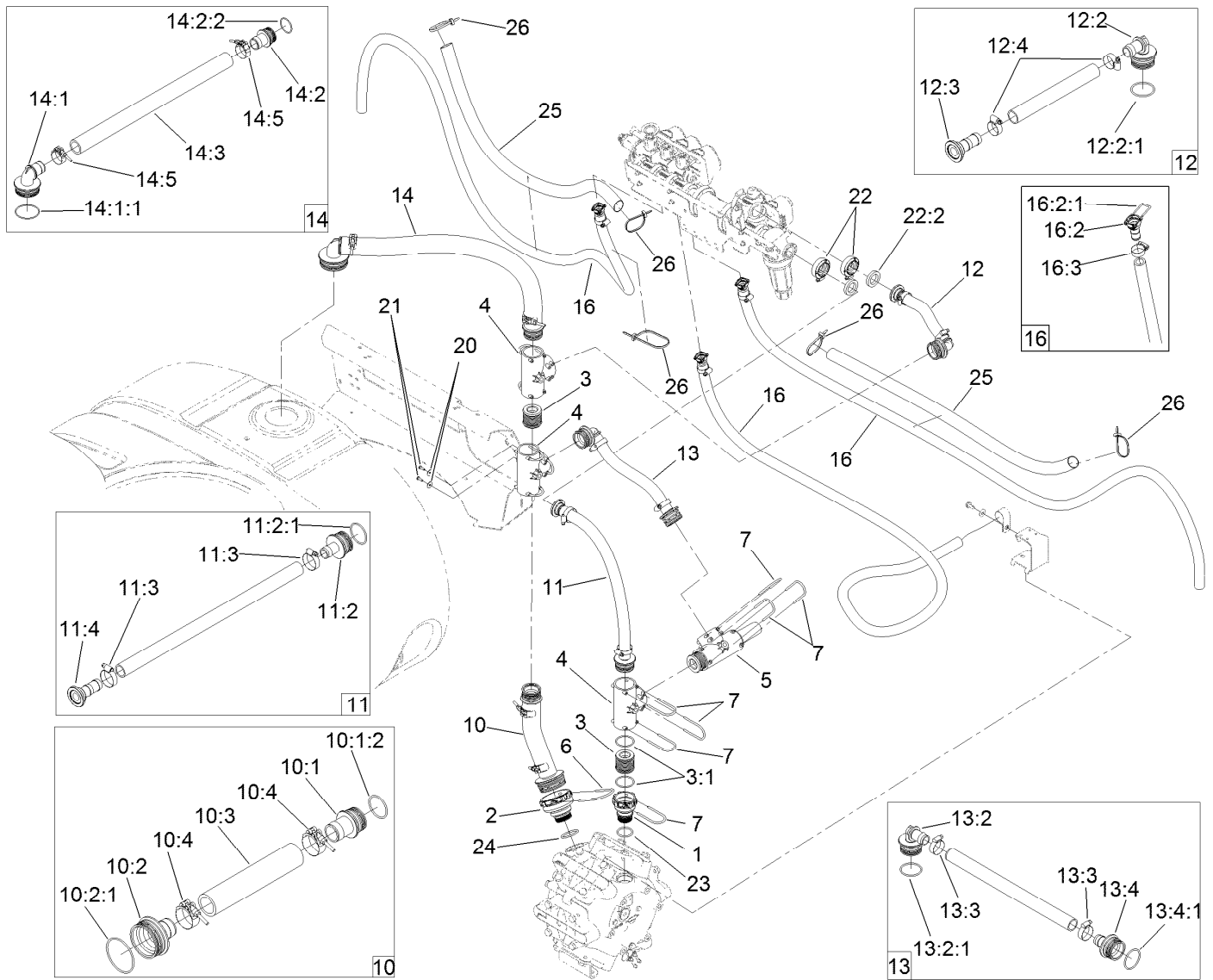
Filter Assembly No. 130-7096

<i>Ref.</i>	<i>Part Number</i>	<i>Qty.</i>	<i>Description</i>
1	100-8643	1	Housing-Filter
2	106-4942	1	Hosebarb-Straight
2:1	100-6989	1	O-Ring
3	100-8636	1	Fork-Special
4	100-8646	1	Gasket-Bulkhead
5	100-8647	1	Nut-Bulkhead
6	100-8644	2	Pin-Expansion



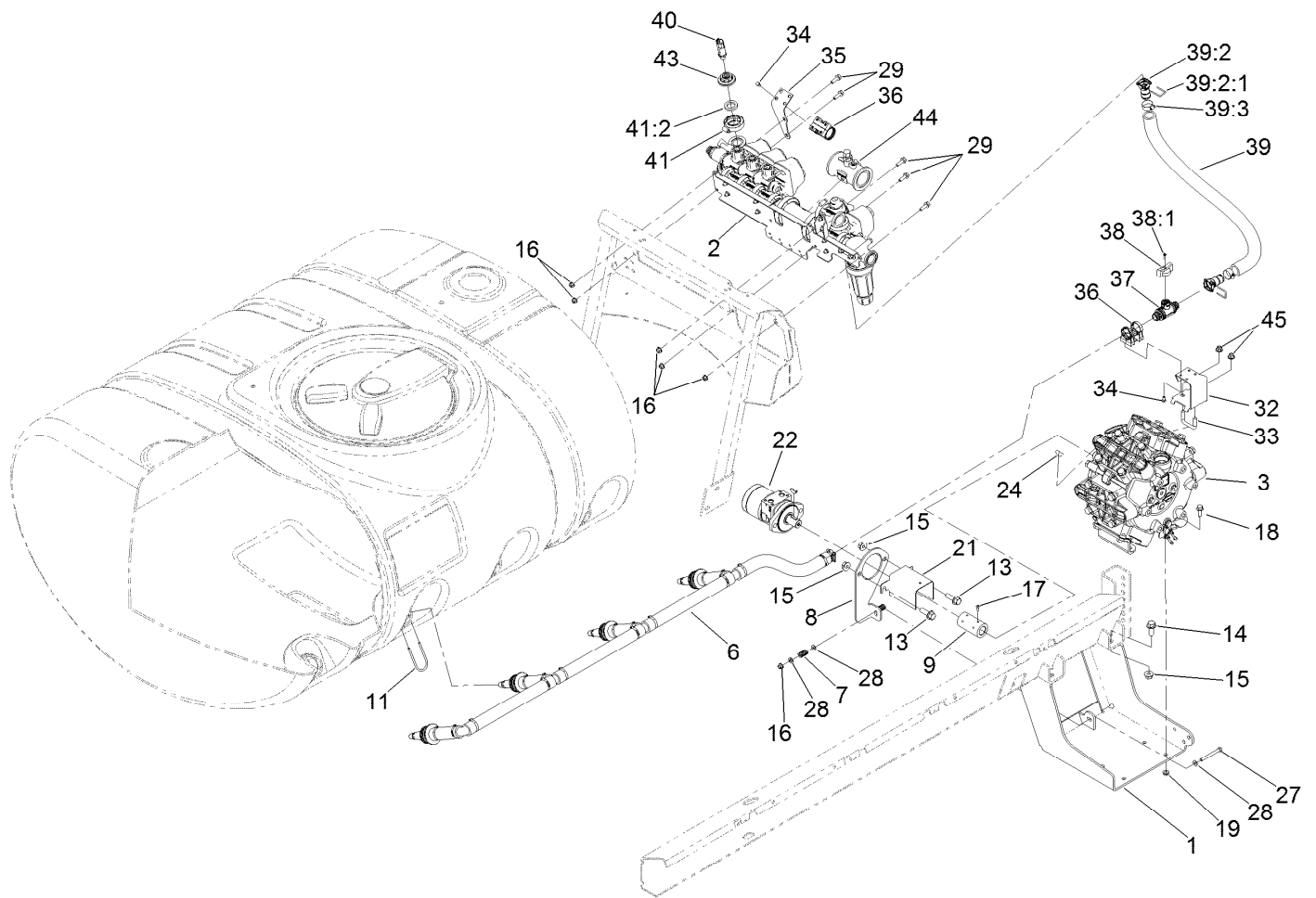
Spray System Hose Assembly

Ref.	Part Number	Qty.	Description	Ref.	Part Number	Qty.	Description
1	133-2881	1	Fitting	12:2	106-4933	1	Hosebarb ASM
2	133-2883	1	Fitting	12:2:1	100-8637	1	O-Ring
3	106-4947	2	Connector	12:3	127-1142	1	Fitting-Barb
3:1	100-8637	2	O-Ring	12:4	2412-129	2	Clamp-Hose
4	100-6704	3	Tee	13	117-7963	1	Pressure Relief Hose ASM
5	117-7874	1	Relief Valve ASM	13:2	106-4933	2	Hosebarb ASM
6	117-7996	1	Fork	13:2:1	100-8637	1	O-Ring
7	100-8635	11	Fork	13:3	2412-3	2	Clamp-Hose
10	130-7128	1	Lower Suction Hose ASM	13:4	106-4932	1	Hosebarb-Straight
10:1	117-7982	1	Hosebarb ASM	13:4:1	100-8637	1	O-Ring
10:1:2	100-8637	1	O-Ring	14	130-7127	1	Upper Suction Hose ASM
10:2	117-7965	1	Hosebarb ASM	14:1	106-4952	1	Hosebarb-90 DEG
10:2:1	100-6989	1	O-Ring	14:1:1	100-6989	1	O-Ring
10:3	127-8982	1	Hose-Suction, Lower	14:2	117-7982	1	Hosebarb ASM
10:4	130-7125	2	Clamp, T-Bolt	14:2:2	100-8637	1	O-Ring
11	132-4295	1	Supply Hose ASM	14:3	127-8981	1	Hose-Suction, Upper
11:2	106-4932	1	Hosebarb-Straight	14:5	130-7125	2	Clamp, T-Bolt
11:2:1	100-8637	1	O-Ring	16	132-4298	3	Left Boom Hose ASM
11:3	2412-3	2	Clamp-Hose	16:2	127-9807	1	Straight Fitting Kit
11:4	127-1142	1	Fitting-Barb	16:2:1	133-0398	1	Pin-Fork
12	132-4296	1	Agitation Bypass Hose ASM	16:3	2412-129	1	Clamp-Hose



Spray System Hose Assembly (continued)

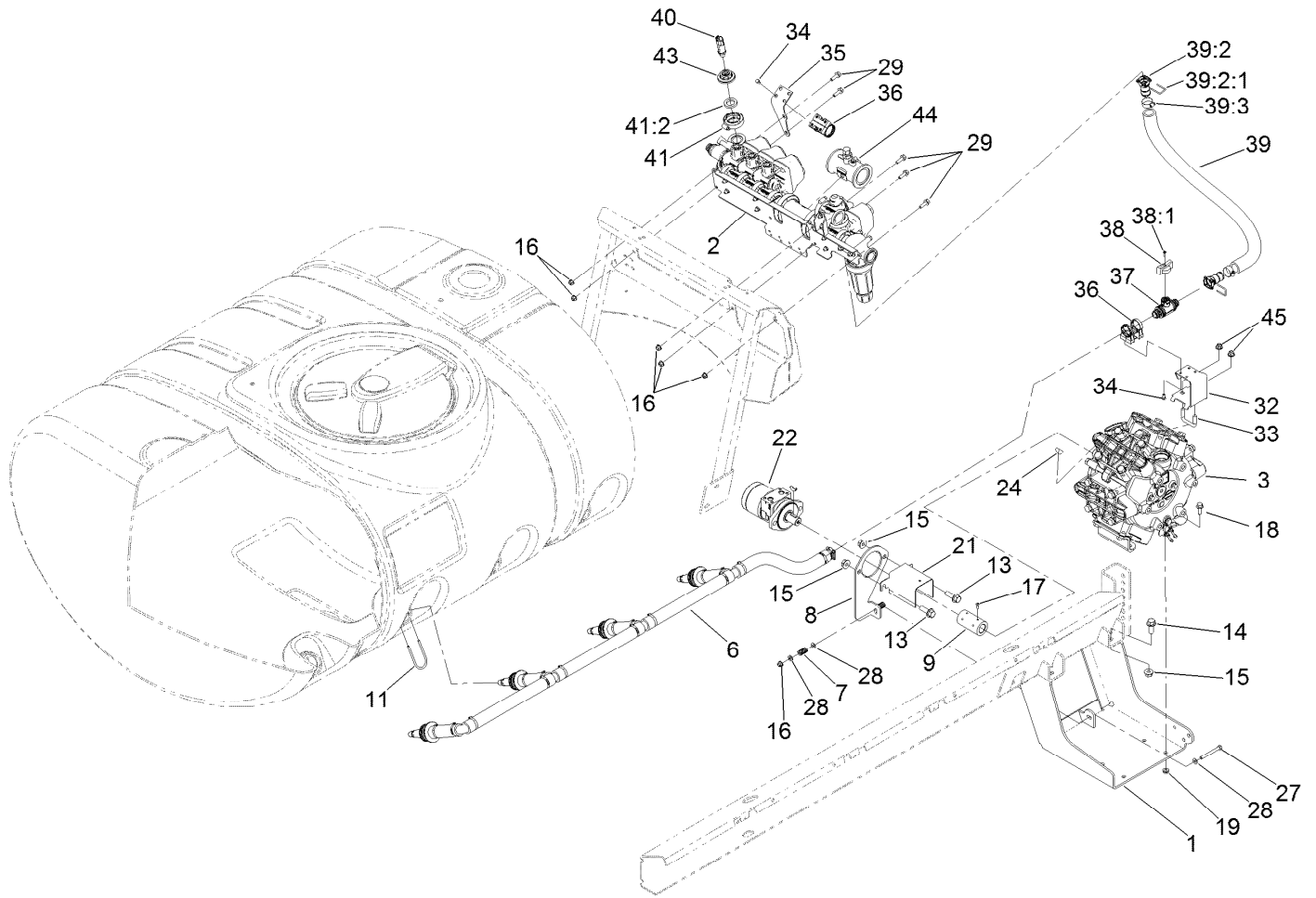
<i>Ref.</i>	<i>Part Number</i>	<i>Qty.</i>	<i>Description</i>	<i>Ref.</i>	<i>Part Number</i>	<i>Qty.</i>	<i>Description</i>
20	3256-61	2	Washer-Flat	23	133-2882	1	O-Ring
21	32144-32	2	Screw	24	133-2884	1	O-Ring
22	127-9829	2	Clamp/Gasket Kit	25	107-8650	2	Conduit-Convolutd
22:2	127-1145	1	Gasket-Flange	26	3290-378	5	Tie-Cable



Spray Pump and Valve Assembly

Ref.	Part Number	Qty.	Description	Ref.	Part Number	Qty.	Description
1	117-0655-03	1	Bracket-Pump	27	322-14	1	Screw-HH
2		1	Spray Manifold ASM ●	28	3256-23	5	Washer-Plain
3	137-4230	1	Pump ASM	29	3234-29	5	Screw-HHF
6	139-3093	1	Agitation Hose ASM	32	136-0376-03	1	Bracket-Valve, Agitation
7	110-5331	2	Spring-Compression	33	107-3073	1	U-Bolt
8	117-8040-03	1	Plate-Mount, Motor	34	33113-012	8	Screw-HH
9	117-8045	1	Coupler	35	136-2286-03	1	Mount-Plate, Support
11	100-8635	4	Fork	36	132-4302	2	Mount-Valve
13	100-6116	2	Screw-HHF	37	131-0249	1	On/Off 2-Way Valve Kit
14	110-5057	4	Capscrew-HHF	38	131-0264	1	Agitation Throttling Handle Kit
15	108-3745	6	Nut-HHF, Whiz	38:1	131-0263	1	Screw-Handle
16	104-8300	6	Nut-HF, NI	39	132-4310	1	Agitation Supply Hose ASM
17	3241-7	4	Screw-SQH	39:2	127-9806	2	Fitting Kit
18	3234-11	4	Screw-HHF	39:2:1	133-0398	1	Pin-Fork
19	3290-357	4	Nut-HHF, Whiz	39:3	2412-34	2	Clamp-Hose
21	120-0628-03	1	Guard-Shaft, Pump	40	130-8202	1	Transducer-Pressure
22	117-0706	1	HYD Motor ASM	41	127-9829	1	Clamp/Gasket Kit
24	106-1990	1	Key-Woodruff				

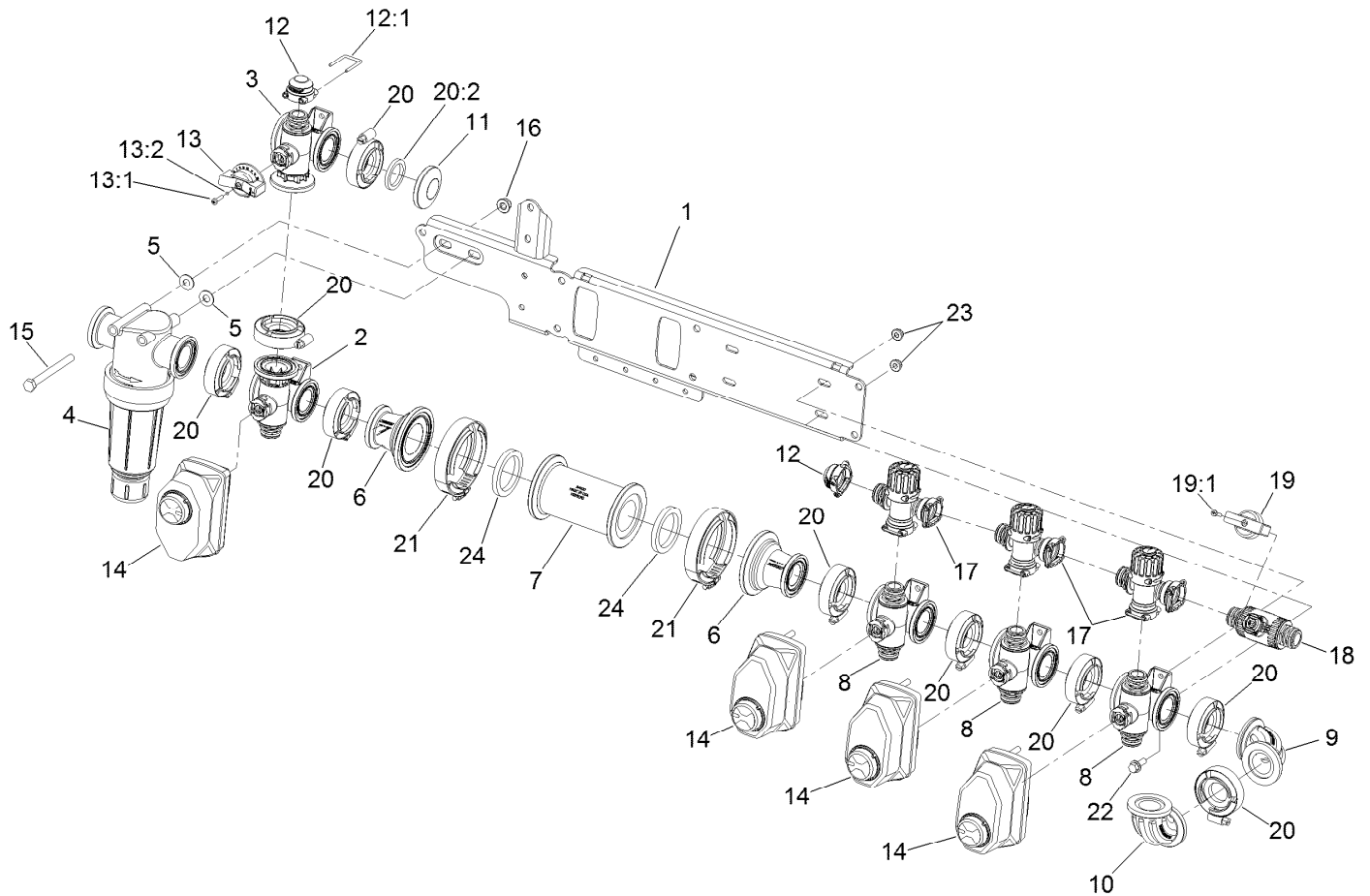
● Not serviced separately



Spray Pump and Valve Assembly (continued)

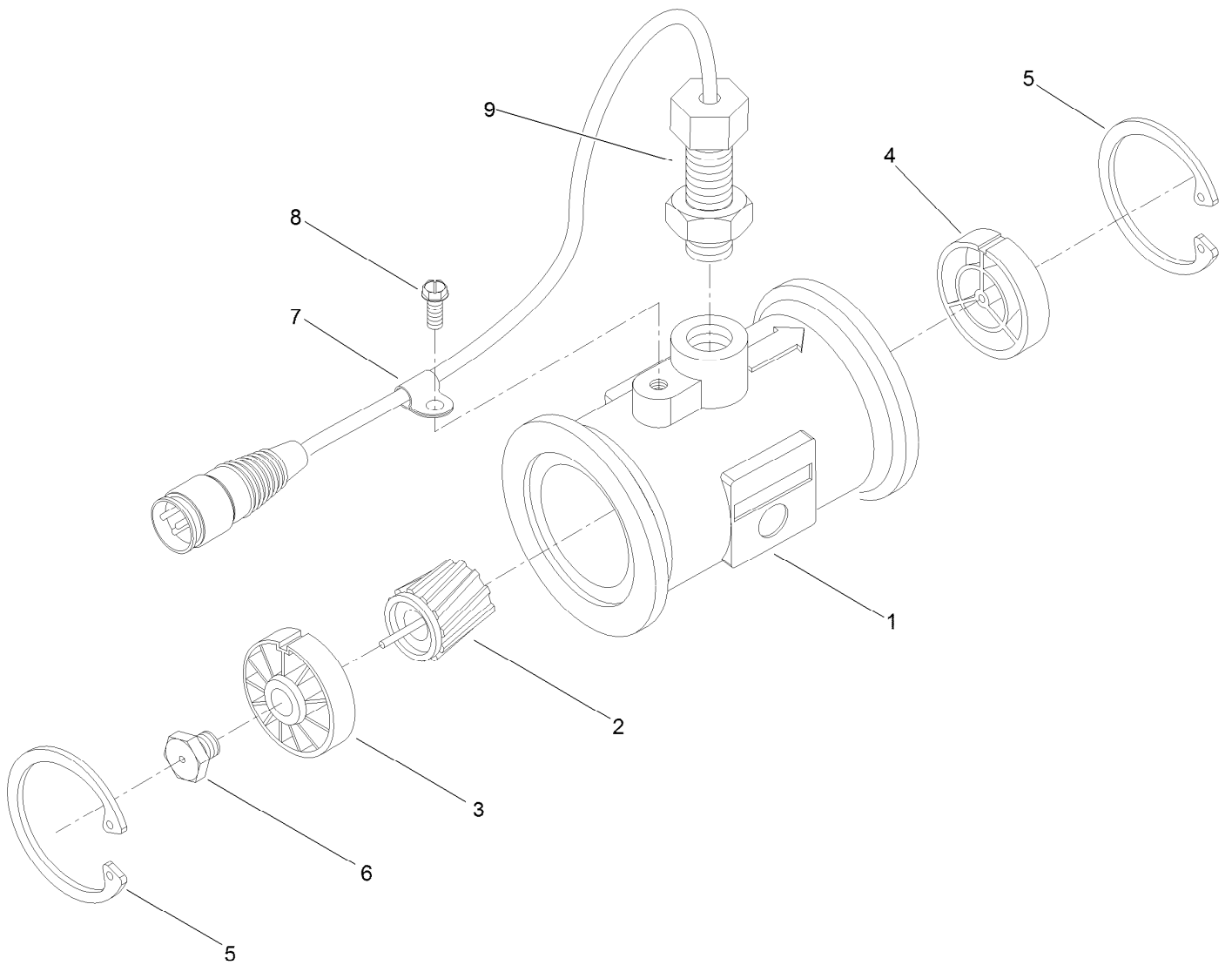
<i>Ref.</i>	<i>Part Number</i>	<i>Qty.</i>	<i>Description</i>	<i>Ref.</i>	<i>Part Number</i>	<i>Qty.</i>	<i>Description</i>
41:2	127-1145	1	Gasket-Flange	44	138-6128	1	Flow Meter ASM
43	127-1185	1	Fitting-Cap, Port	45	104-8301	2	Nut-HF, NI

● Not serviced separately



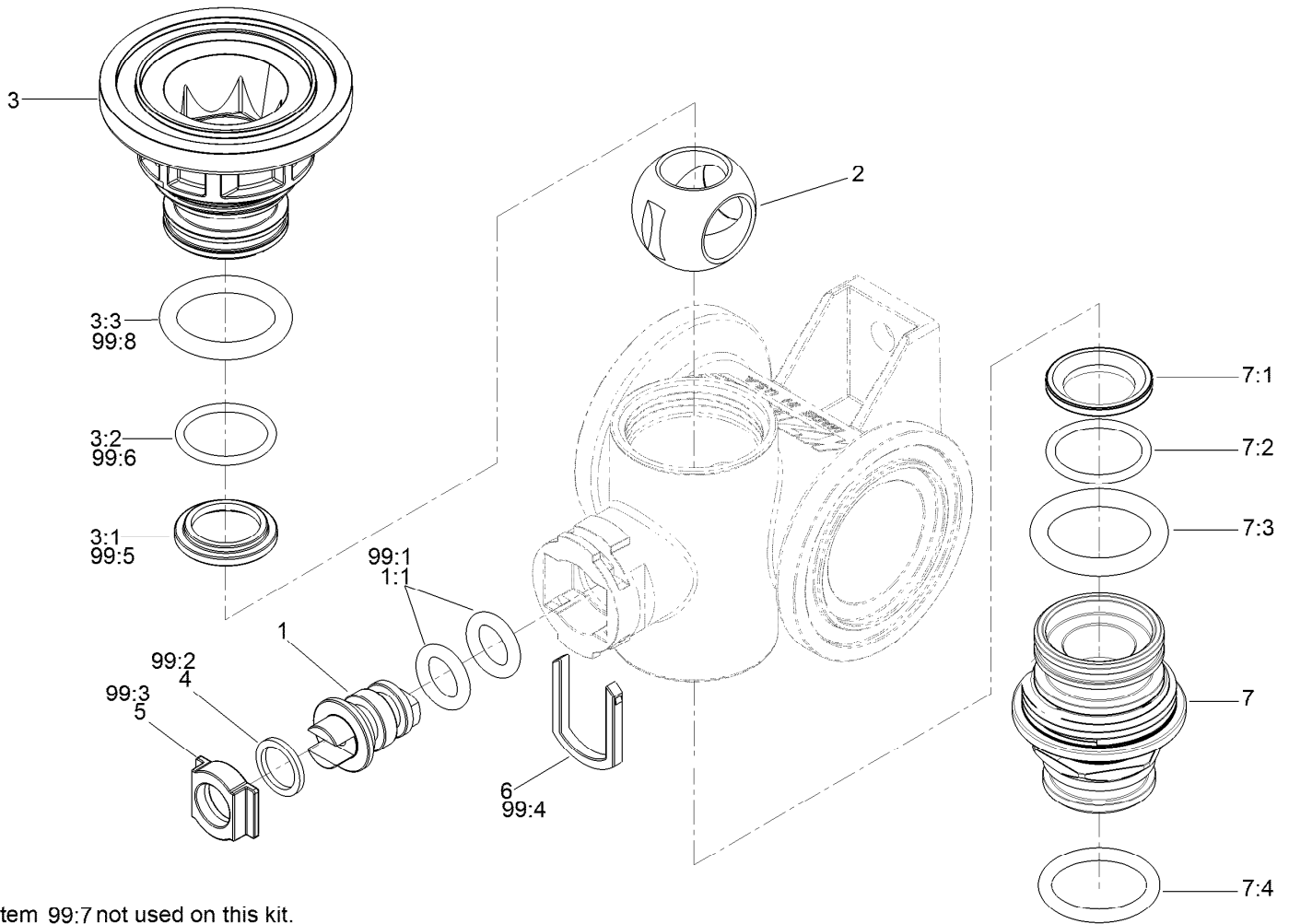
Spray Manifold Assembly

<i>Ref.</i>	<i>Part Number</i>	<i>Qty.</i>	<i>Description</i>	<i>Ref.</i>	<i>Part Number</i>	<i>Qty.</i>	<i>Description</i>
1	133-2852	1	Mount-Valve	13:1	131-0263	1	Screw-Handle
2	131-7256	1	Manifold Valve Kit	13:2	127-1197	1	O-Ring-Stem
3	131-0253	1	Manifold Valve Kit	14	131-3723	4	Actuator On/Off Kit
4	131-3791	1	Filter-Pressure	15	322-22	2	Screw-HH
5	107-0279	2	Washer	16	104-8300	2	Nut-HF, NI
6	127-1144	2	Fitting-Adapter	17	127-9805	3	Bypass Valve ASM
7	131-3739	1	Adapter	18	131-0249	1	On/Off 2-Way Valve Kit
8	127-9803	3	On/Off Manifold Valve Kit	19	131-0267	1	Bypass Handle Kit
9	131-3726	1	Fitting-Elbow, 90 DEG	19:1	131-0263	1	Screw-Handle
10	130-8297	1	Fitting-Elbow, Sweep	20	127-9829	9	Clamp/Gasket Kit
11	127-9815	1	Fitting-Cap	20:2	127-1145	1	Gasket-Flange
12	127-9811	2	Fitting-Cap, Female	21	104-9089	2	Clamp-Screw, Worm
12:1	133-0398	1	Pin-Fork	22	3234-4	8	Screw-HHF
13	131-0265	1	Agitation Regulating Handle Kit	23	104-7201	8	Nut-HF
				24	104-9090	2	Gasket



Flow Meter Assembly No. 138-6128

<i>Ref.</i>	<i>Part Number</i>	<i>Qty.</i>	<i>Description</i>
1	106-1042	1	Body-Meter, Flow
2	104-9059	1	Rotor / Magnet ASM
3	104-9060	1	Upstream Hub And Bearing ASM
4	104-9061	1	Downstream Hub ASM
5	104-9062	2	Ring-Retaining, Internal
6	42480	1	Stud-Turbine (W / Bearing)
7	104-9063	1	Clamp-Cable
8	104-9064	1	Screw-HWHTF
9	138-6129	1	Sensor-Meter, Flow

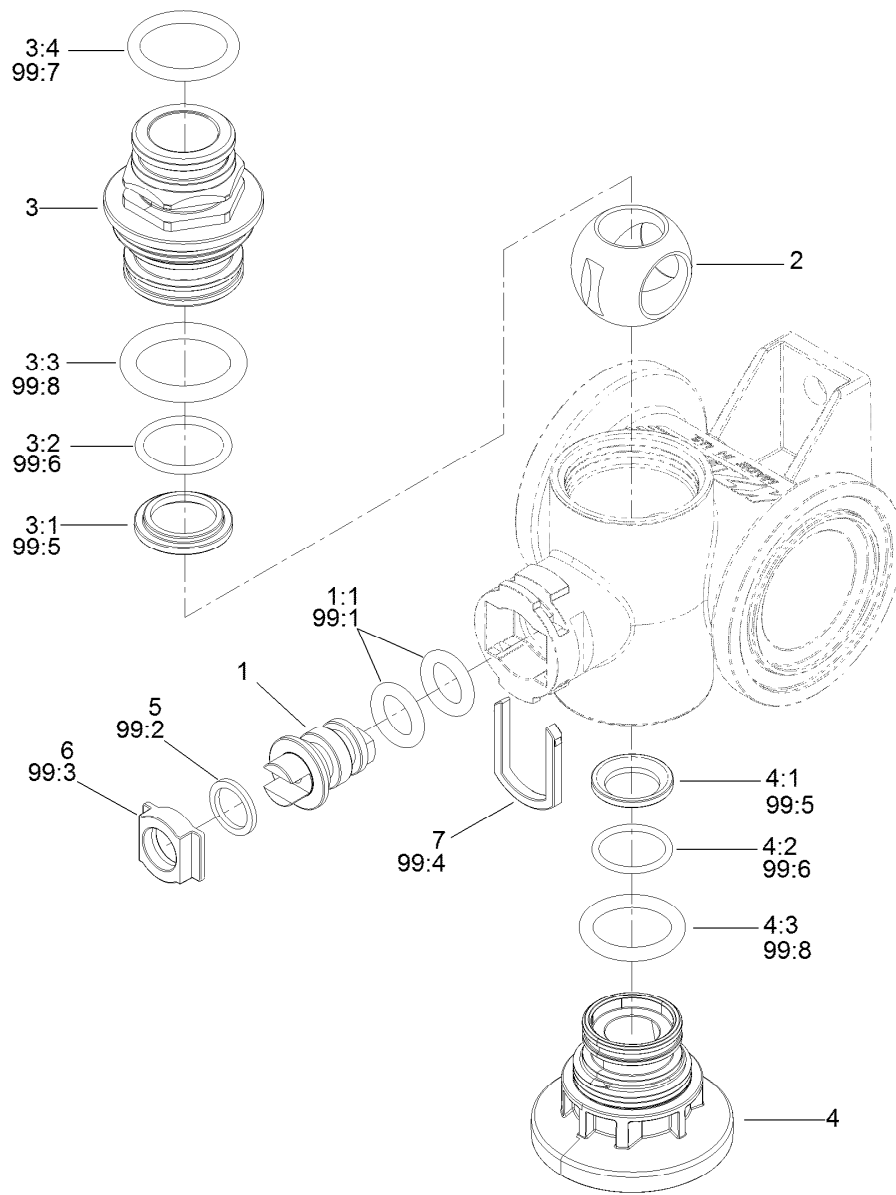


Item 99:7 not used on this kit.

Manifold Valve Kit No. 131-7256

Ref.	Part Number	Qty.	Description	Ref.	Part Number	Qty.	Description
1	130-8248	1	Valve Stem Kit	7:2	127-1188	1	O-Ring, Seat (Ball)
1:1	127-1197	2	O-Ring-Stem	7:3	127-1189	1	O-Ring, Endcap
2	127-1194	1	Ball-Valve, 3Way	7:4	127-1187	1	O-Ring, Endcap
3	130-8249	1	Endcap Kit	99	130-7304	1	Valve Repair Kit ●
3:1	127-1192	1	Seat-Ball	99:1	127-1197	2	O-Ring-Stem
3:2	127-1188	1	O-Ring, Seat (Ball)	99:2	127-1196	2	Washer-Stem, Valve
3:3	127-1189	1	O-Ring, Endcap	99:3	127-1195	1	Seat-Stem, Valve
4	127-1196	1	Washer-Stem, Valve	99:4	127-1190	1	Fork-Stem, Valve
5	127-1195	1	Seat-Stem, Valve	99:5	127-1192	2	Seat-Ball
6	127-1190	1	Fork-Stem, Valve	99:6	127-1188	2	O-Ring, Seat (Ball)
7	130-7317	1	Endcap Kit	99:7	127-1187	2	O-Ring, Endcap
7:1	127-1192	1	Seat-Ball	99:8	127-1189	2	O-Ring, Endcap

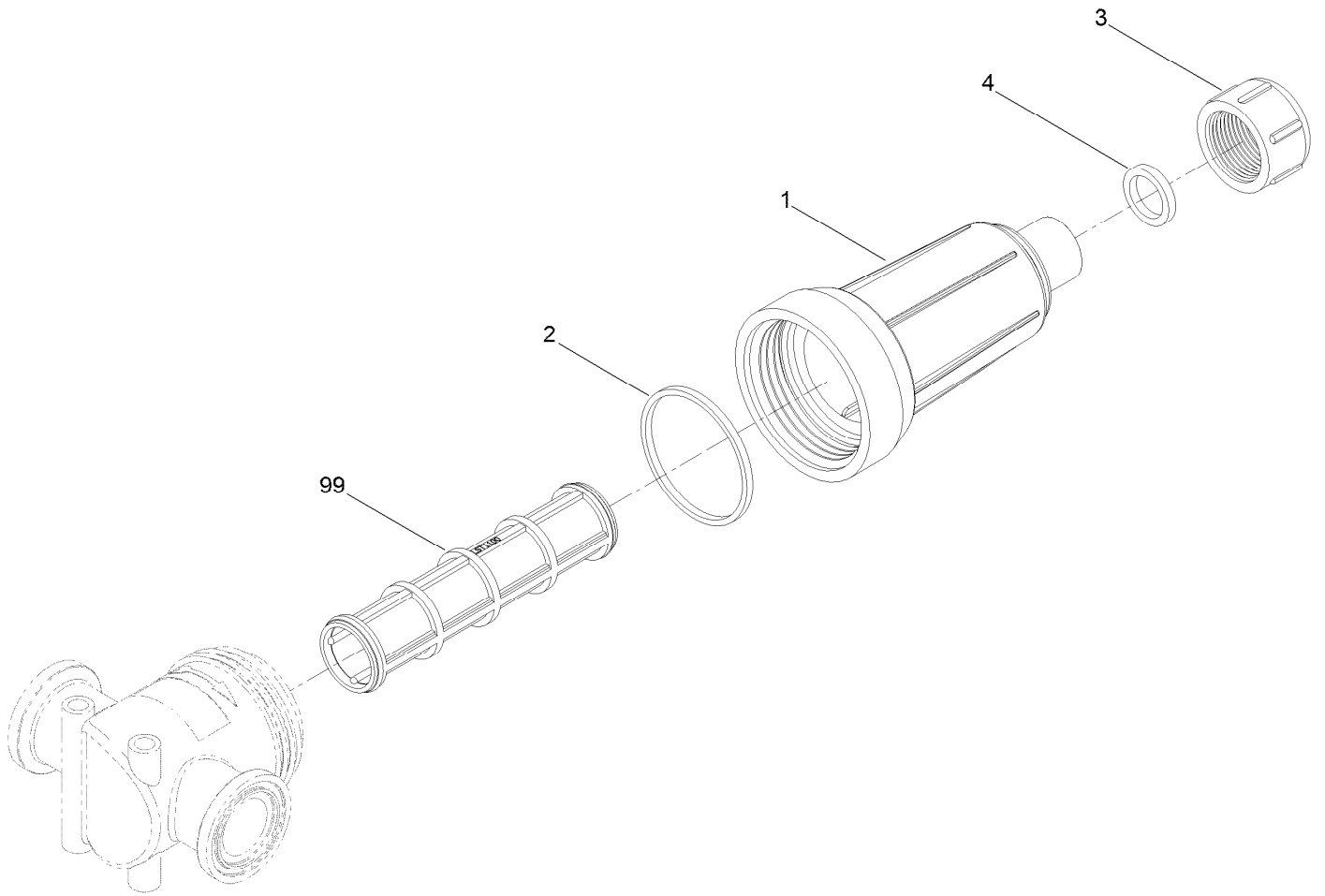
● Not illustrated



Manifold Valve Kit No. 131-0253

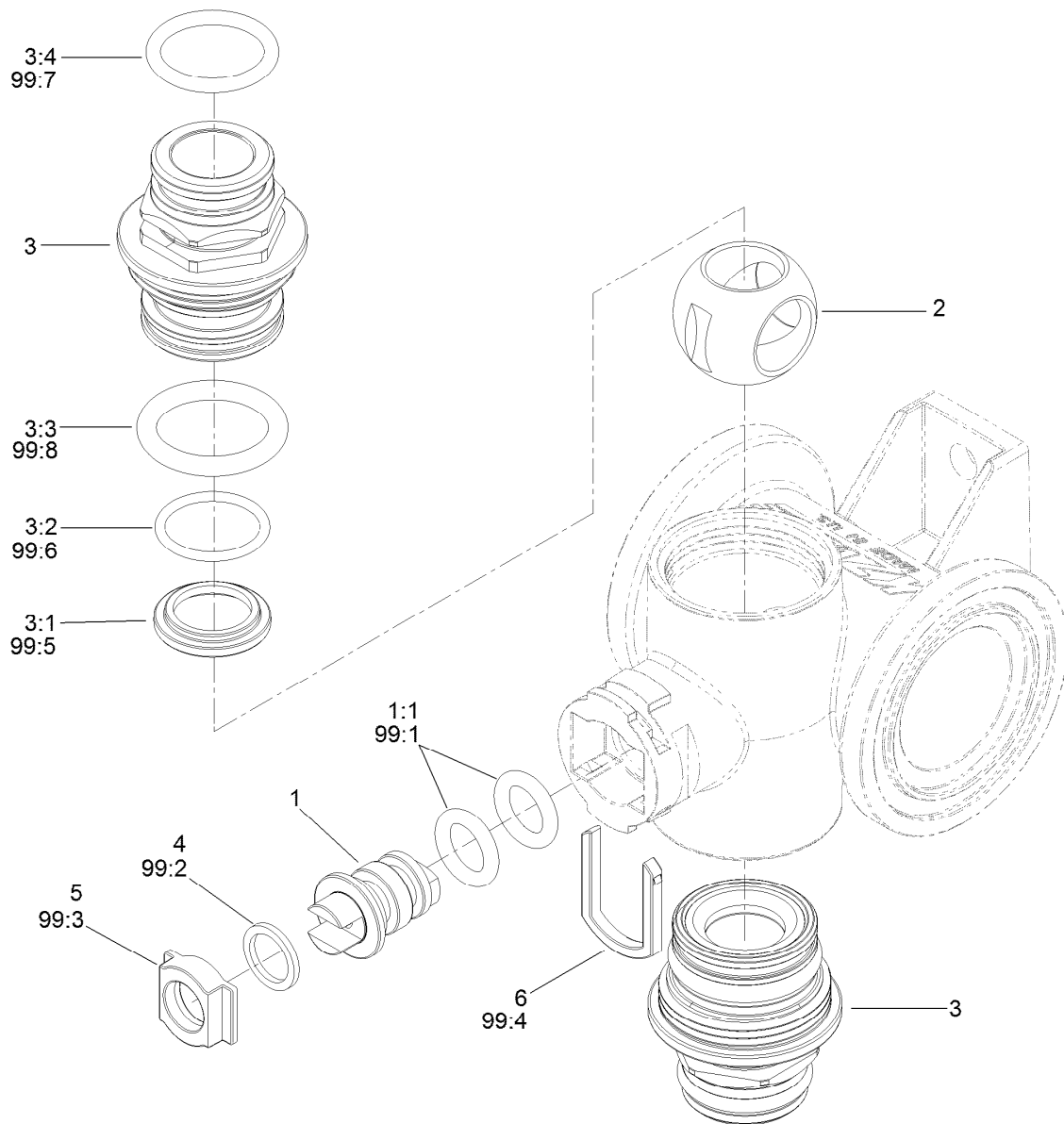
<i>Ref.</i>	<i>Part Number</i>	<i>Qty.</i>	<i>Description</i>	<i>Ref.</i>	<i>Part Number</i>	<i>Qty.</i>	<i>Description</i>
1	130-8248	1	Valve Stem Kit	5	127-1196	1	Washer-Stem, Valve
1:1	127-1197	2	O-Ring-Stem	6	127-1195	1	Seat-Stem, Valve
2	127-1113	1	Ball-V	7	127-1190	1	Fork-Stem, Valve
3	130-7317	1	Endcap Kit	99	130-7304	1	Valve Repair Kit ●
3:1	127-1192	1	Seat-Ball	99:1	127-1197	2	O-Ring-Stem
3:2	127-1188	1	O-Ring, Seat (Ball)	99:2	127-1196	2	Washer-Stem, Valve
3:3	127-1189	1	O-Ring, Endcap	99:3	127-1195	1	Seat-Stem, Valve
3:4	127-1187	1	O-Ring, Endcap	99:4	127-1190	1	Fork-Stem, Valve
4	130-8249	1	Endcap Kit	99:5	127-1192	2	Seat-Ball
4:1	127-1192	1	Seat-Ball	99:6	127-1188	2	O-Ring, Seat (Ball)
4:2	127-1188	1	O-Ring, Seat (Ball)	99:7	127-1187	2	O-Ring, Endcap
4:3	127-1189	1	O-Ring, Endcap	99:8	127-1189	2	O-Ring, Endcap

● Not illustrated



Pressure Filter Assembly No. 131-3791

<i>Ref.</i>	<i>Part Number</i>	<i>Qty.</i>	<i>Description</i>
1	136-0397	1	Bowl-Strainer
2	136-0398	1	Rubber-Gasket
3	136-0410	1	Strainer Cap
4	136-0399	1	Rubber-Gasket
99	133-0384	1	Screen-Teejet, 30 Mesh
99	133-0385	1	Screen-Teejet, 50 Mesh
99	133-0386	1	Screen-Teejet, 80 Mesh
99	133-0387	1	Screen-Teejet, 100 Mesh

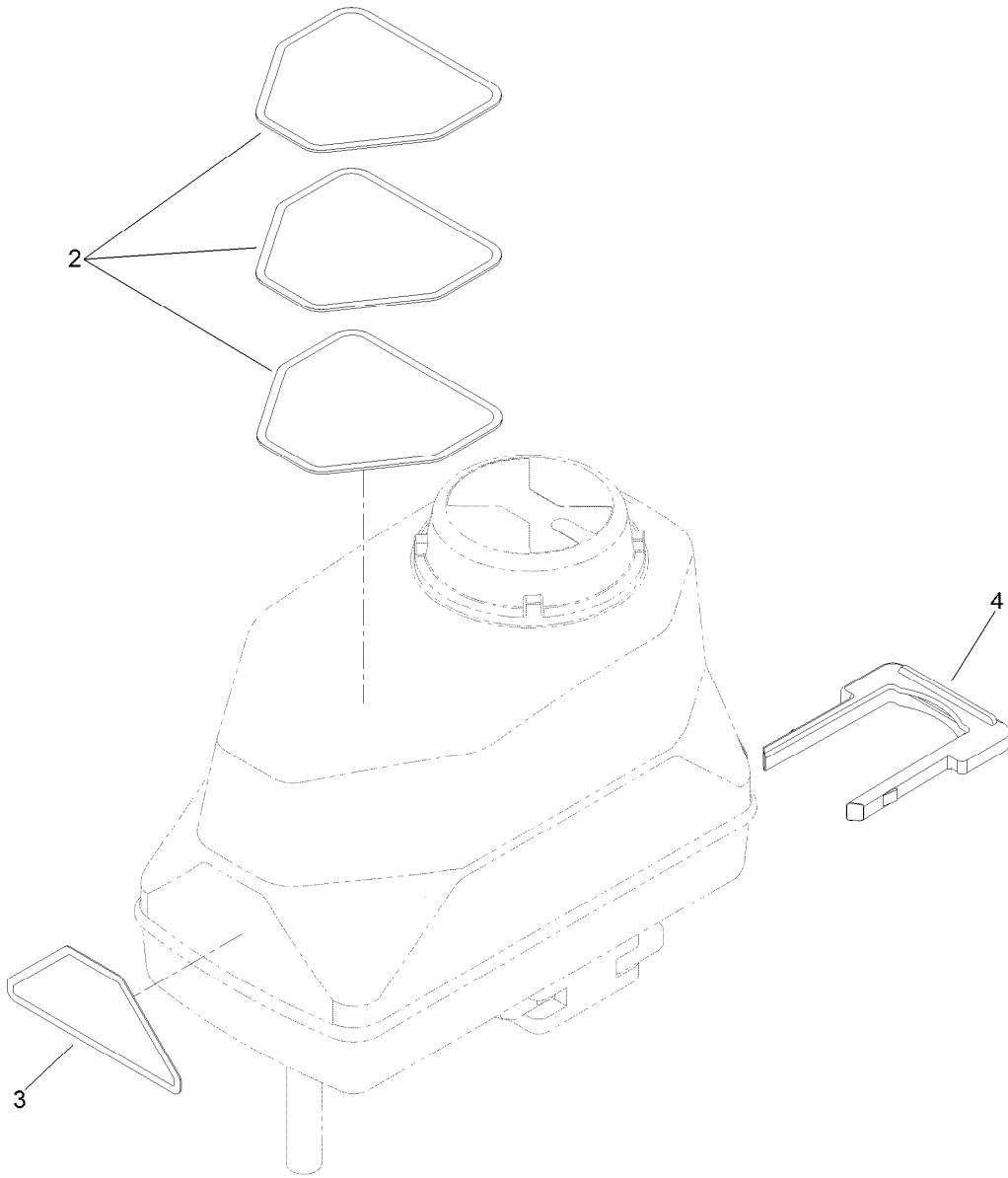


On/Off Manifold Valve Kit No. 127-9803

Ref.	Part Number	Qty.	Description
1	130-8248	1	Valve Stem Kit
1:1	127-1197	2	O-Ring-Stem
2	127-1194	1	Ball-Valve, 3Way
3	130-7317	2	Endcap Kit
3:1	127-1192	1	Seat-Ball
3:2	127-1188	1	O-Ring, Seat (Ball)
3:3	127-1189	1	O-Ring, Endcap
3:4	127-1187	1	O-Ring, Endcap
4	127-1196	1	Washer-Stem, Valve
5	127-1195	1	Seat-Stem, Valve

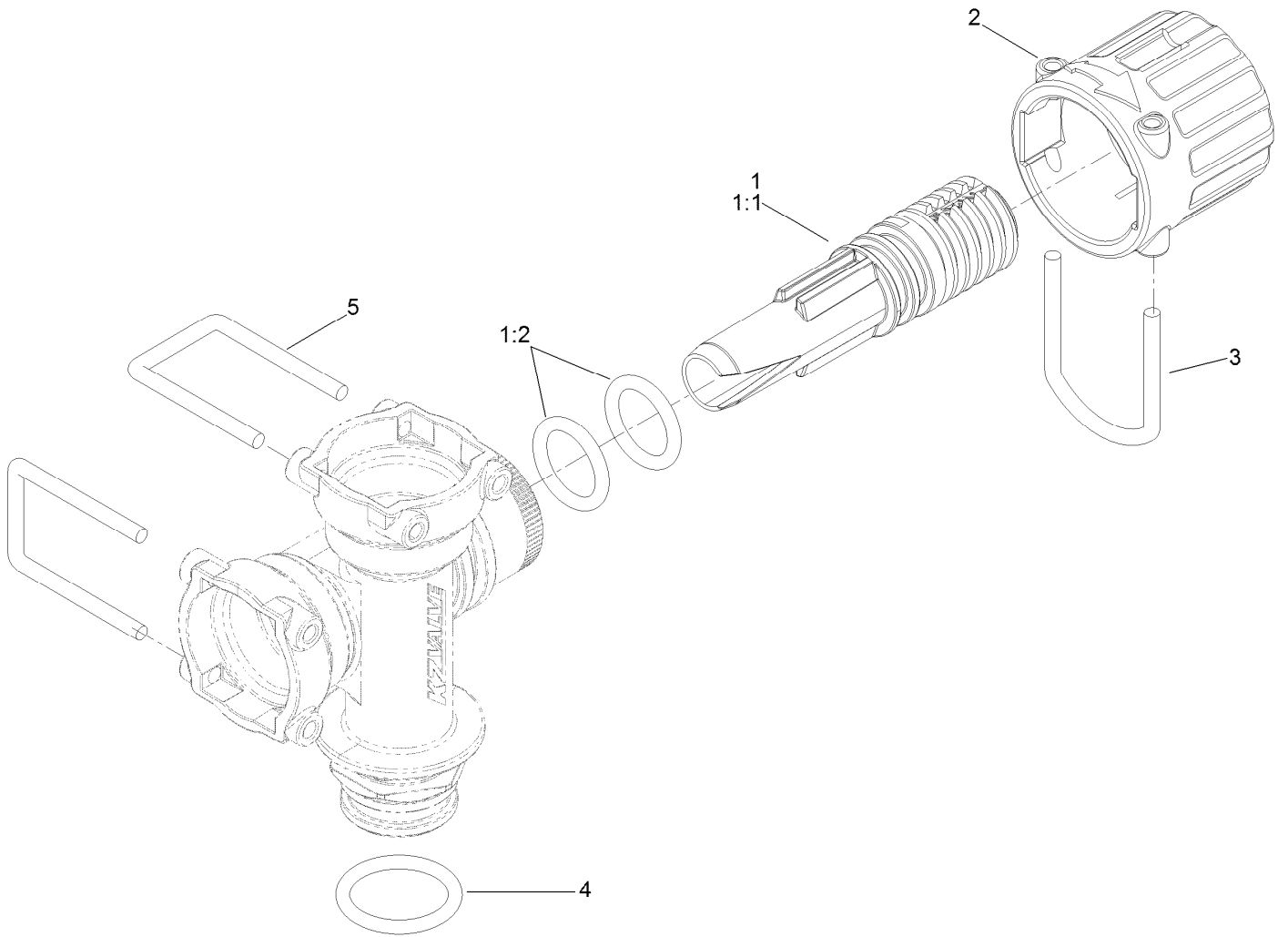
Ref.	Part Number	Qty.	Description
6	127-1190	1	Fork-Stem, Valve
99	130-7304	1	Valve Repair Kit ●
99:1	127-1197	2	O-Ring-Stem
99:2	127-1196	2	Washer-Stem, Valve
99:3	127-1195	1	Seat-Stem, Valve
99:4	127-1190	1	Fork-Stem, Valve
99:5	127-1192	2	Seat-Ball
99:6	127-1188	2	O-Ring, Seat (Ball)
99:7	127-1187	2	O-Ring, Endcap
99:8	127-1189	2	O-Ring, Endcap

● Not illustrated



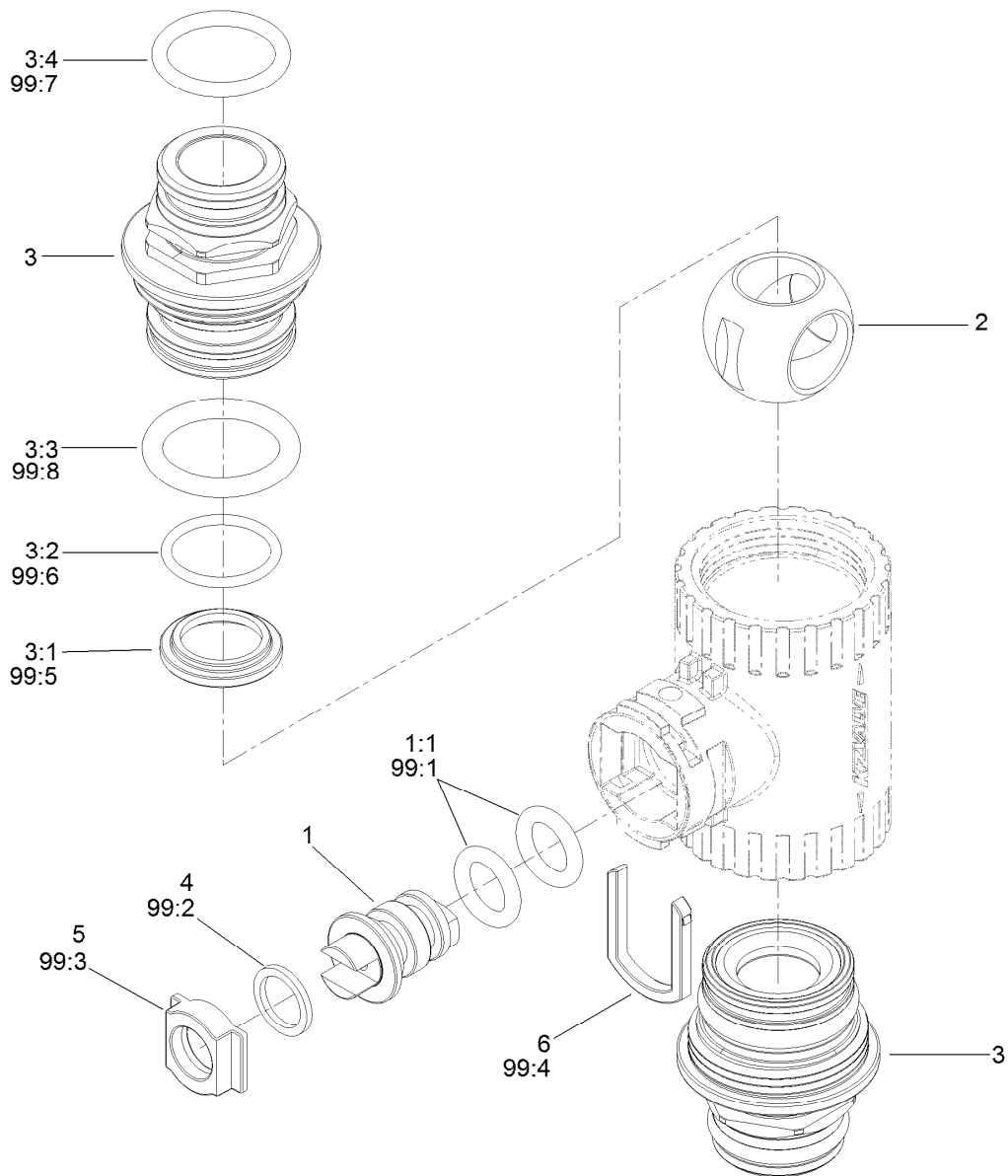
On/Off Actuator Kit No. 131-3723

<i>Ref.</i>	<i>Part Number</i>	<i>Qty.</i>	<i>Description</i>
2	127-6979	1	Decal-Valve, Agitation
2	127-6981	1	Decal-Valve, On/Off
2	127-6982	1	Decal-Valve, Master Boom
3	127-6976	1	Decal-Valve, Bypass Adjust
4	130-7301	1	Hairpin-Actuator



Bypass Valve Assembly No. 127-9805

<i>Ref.</i>	<i>Part Number</i>	<i>Qty.</i>	<i>Description</i>
1	131-0298	1	Bypass Needle Kit
1:1	127-1182	1	Needle-Bypass
1:2	127-1181	2	Oring-Bypass Needle
2	127-1180	1	Knob-Bypass
3	127-1179	1	Fork-Bypass Knob
4	127-1187	1	O-Ring, Endcap
5	133-0398	2	Pin-Fork

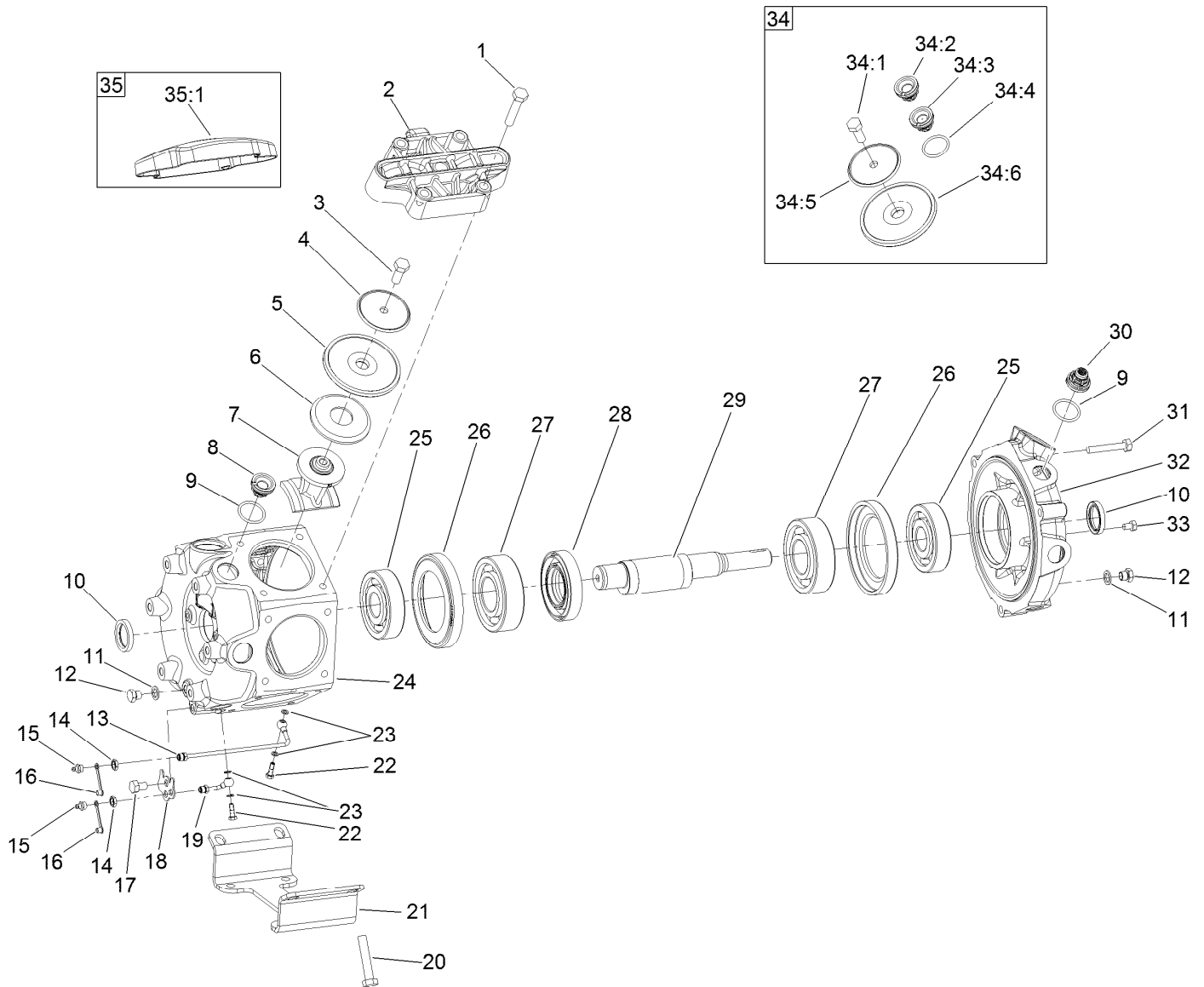


On/Off 2-Way Valve Kit No. 131-0249

Ref.	Part Number	Qty.	Description
1	130-8248	1	Valve Stem Kit
1:1	127-1197	2	O-Ring-Stem
2	131-0252	1	Ball-2-Way
3	130-7317	2	Endcap Kit
3:1	127-1192	1	Seat-Ball
3:2	127-1188	1	O-Ring, Seat (Ball)
3:3	127-1189	1	O-Ring, Endcap
3:4	127-1187	1	O-Ring, Endcap
4	127-1196	1	Washer-Stem, Valve
5	127-1195	1	Seat-Stem, Valve

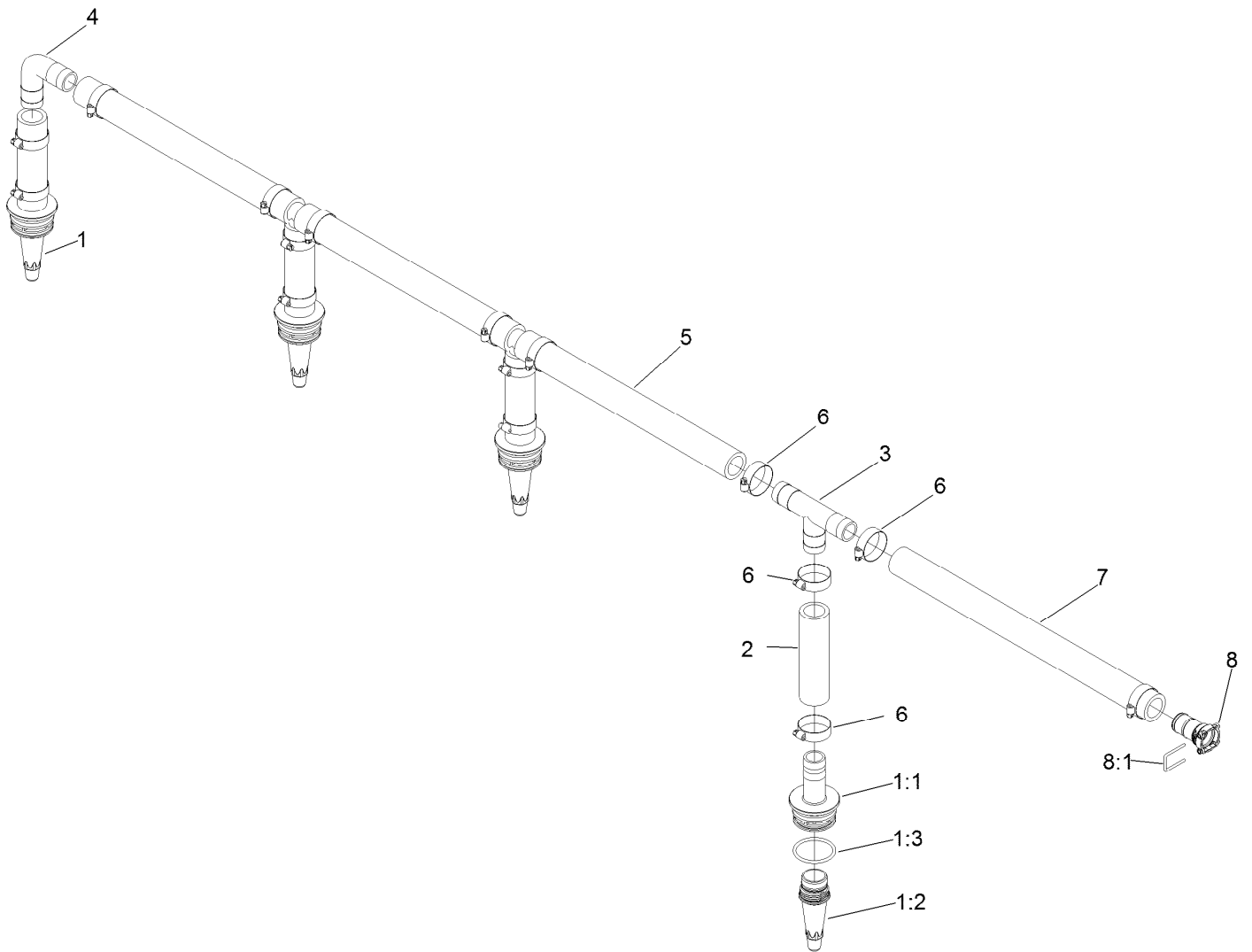
Ref.	Part Number	Qty.	Description
6	127-1190	1	Fork-Stem, Valve
99	130-7304	1	Valve Repair Kit ●
99:1	127-1197	2	O-Ring-Stem
99:2	127-1196	2	Washer-Stem, Valve
99:3	127-1195	1	Seat-Stem, Valve
99:4	127-1190	1	Fork-Stem, Valve
99:5	127-1192	2	Seat-Ball
99:6	127-1188	2	O-Ring, Seat (Ball)
99:7	127-1187	2	O-Ring, Endcap
99:8	127-1189	2	O-Ring, Endcap

● Not illustrated



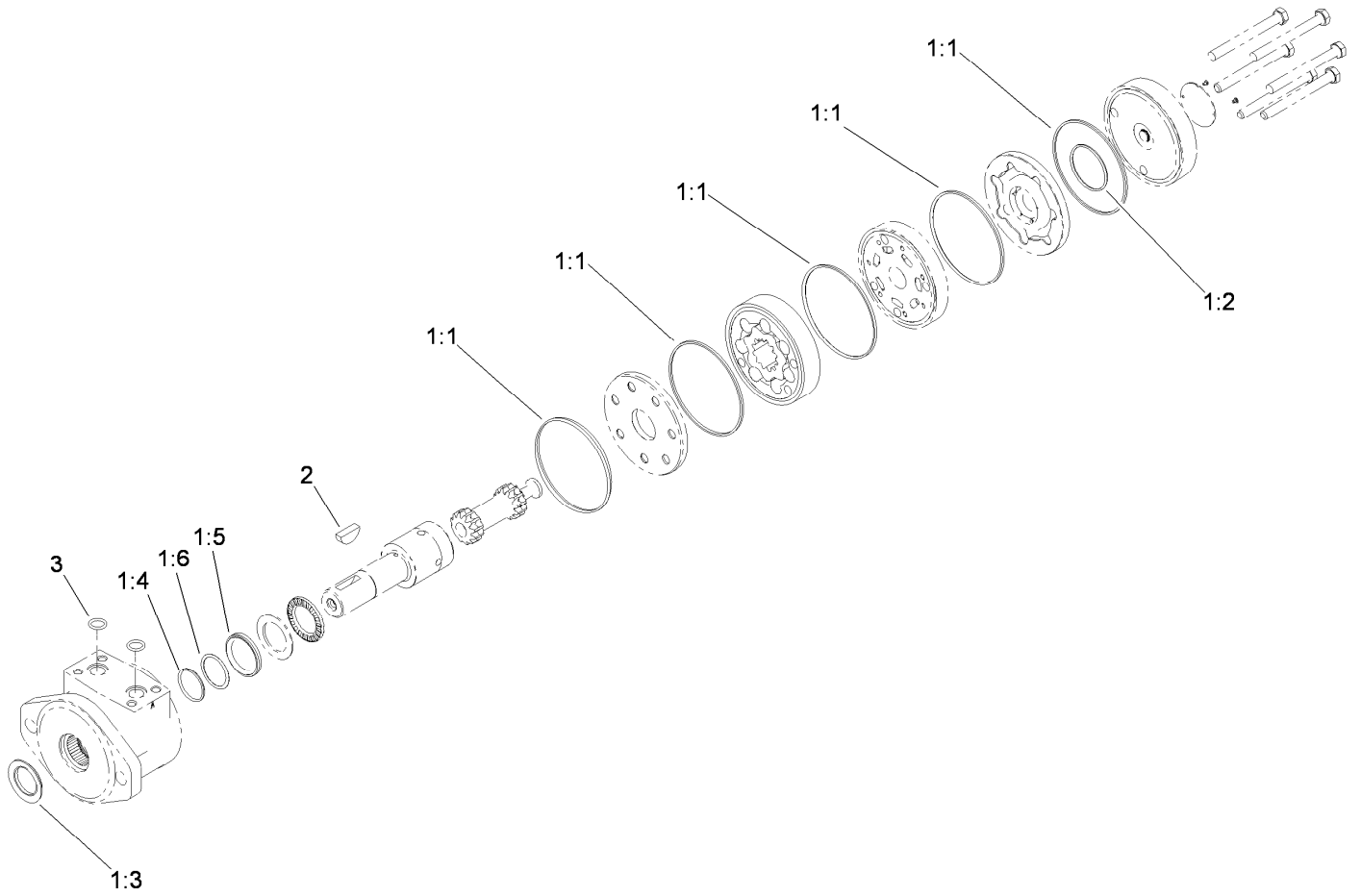
Pump Assembly No. 137-4230

Ref.	Part Number	Qty.	Description	Ref.	Part Number	Qty.	Description
1	120-0773	20	Bolt-Hex	22	133-2830	2	Bolt-Banjo
2	133-2824	6	Cover-Pump, Hardened	23	136-2251	4	Gasket
3	120-0777	6	Bolt-Hex	24	133-2821	1	Housing-Pump, Main
4	120-0778	6	Disc-Diaphragm	25	120-0788	2	Bearing-Ball
5	120-0779	6	Diaphragm	26	133-2820	2	Spacer-Metal
6	120-0780	6	Disc-Backing, Diaphragm	27	120-0791	2	Bearing-Ball
7	120-0781	6	Rod-Connecting	28	133-2827	1	Distance Ring
8	99-0861	10	Valve-Pump	29	133-2825	1	Shaft-Crank
9	100-6651	12	O-Ring	30	120-0793	2	Valve W/Hole
10	120-0783	2	Seal-Oil	31	120-0794	3	Bolt-Hex
11	120-0786	2	Seal	32	133-2822	1	Housing-Pump, Front
12	120-0785	2	Plug	33	120-0784	4	Bolt-Hex
13	133-2877	1	Tube-Banjo, Long	34	120-0796	1	Pump Kit
14	133-2878	2	Nut	34:1	120-0777	6	Bolt-Hex
15	133-2879	2	Nipple-Grease	34:2	99-0861	10	Valve-Pump
16	133-2880	2	Cap-Grease Nipple, Yellow	34:3	120-0793	2	Valve W/Hole
17	136-2252	1	Bolt-Hex	34:4	100-6651	12	O-Ring
18	133-2875	1	Plate-Nipple, Grease	34:5	120-0778	6	Disc-Diaphragm
19	133-2876	1	Tube-Banjo, Short	34:6	120-0779	6	Diaphragm
20	120-0774	4	Bolt-Hex	35	133-2898	1	Pump Head Kit
21	120-0787	1	Foot-Pump	35:1	133-2824	6	Cover-Pump, Hardened



Agitation Hose Assembly No. 139-3093

Ref.	Part Number	Qty.	Description
1	131-3731	4	Agitation Nozzle ASM
1:1	131-3732	1	Fitting-Barb
1:2	120-8579	1	Nozzle-Agitation
1:3	121-4996	1	O-Ring
2	119-0441	4	Hose-Agitaiton
3	117-7866	3	Tee-Hosebarb
4	117-7867	1	Elbow-Hosebarb
5	117-7862	3	Hose-Main Agitation
6	2412-34	16	Clamp-Hose
7	137-4181	1	Hose-Agitation
8	127-9806	1	Fitting Kit
8:1	133-0398	1	Pin-Fork

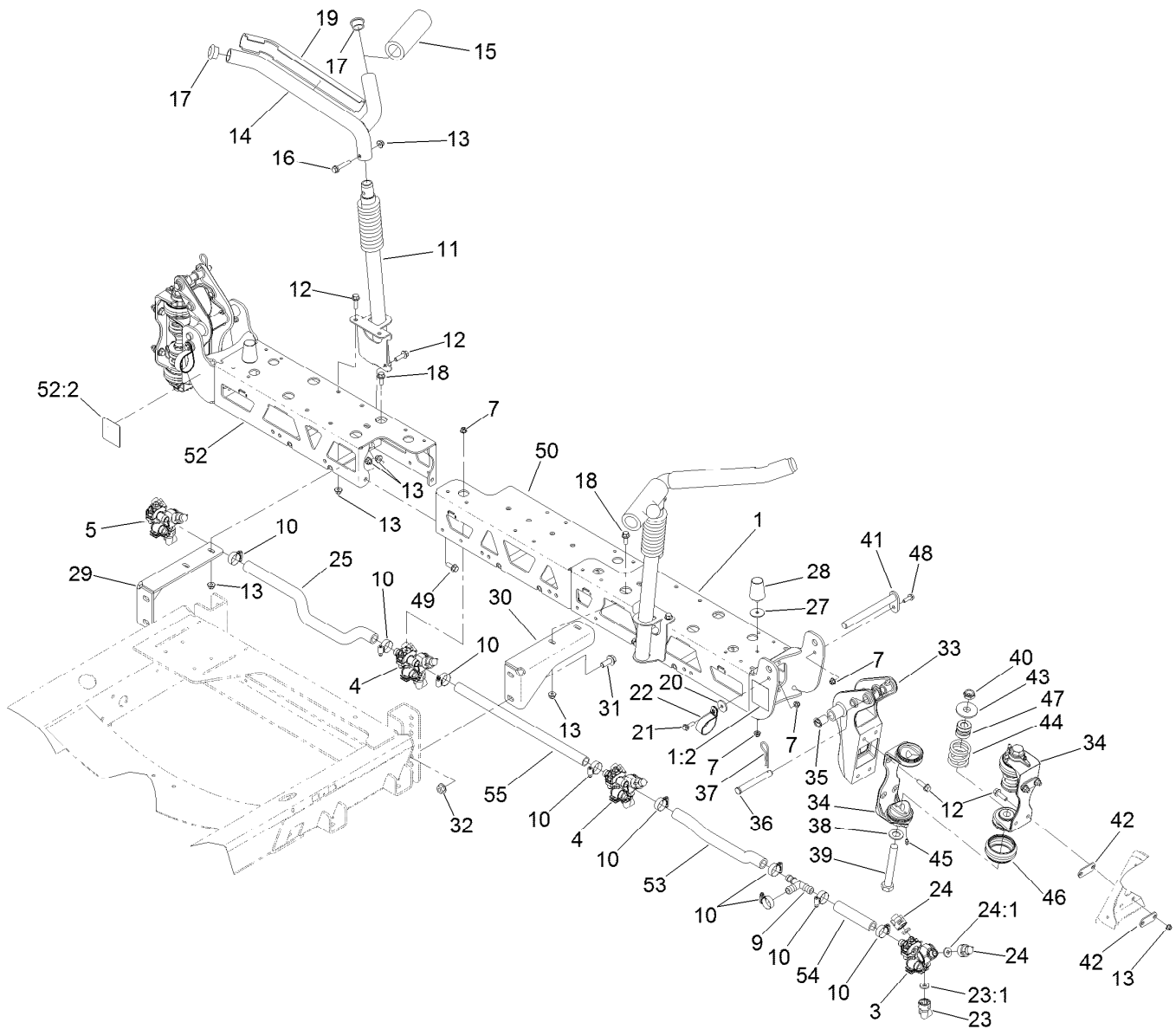


Hydraulic Motor Assembly No. 117-0706

<i>Ref.</i>	<i>Part Number</i>	<i>Qty.</i>	<i>Description</i>
1	119-0433	1	Wheel Motor Seal Kit ●
1:1		5	Seal-Ring ■
1:2		1	Seal-Commutator ■
1:3		1	Seal-Dirt And Water ■
1:4		1	Ring-Backing ■
1:5		1	Seal-Shaft ■
1:6		1	Washer-Backup ■
2	3257-8	1	Key-Woodruff
3	120-0691	2	O-Ring

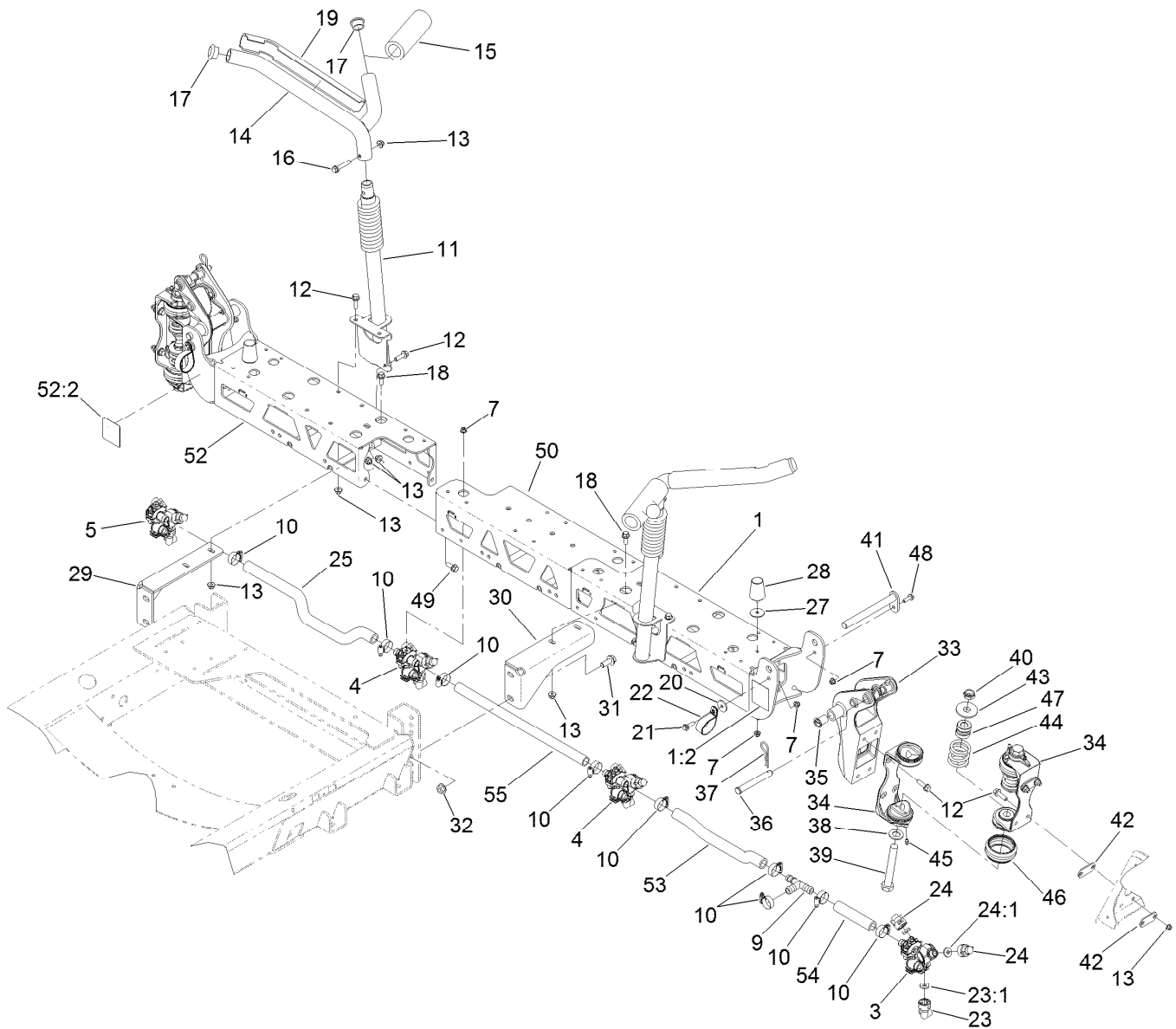
● Not illustrated

■ Not serviced separately



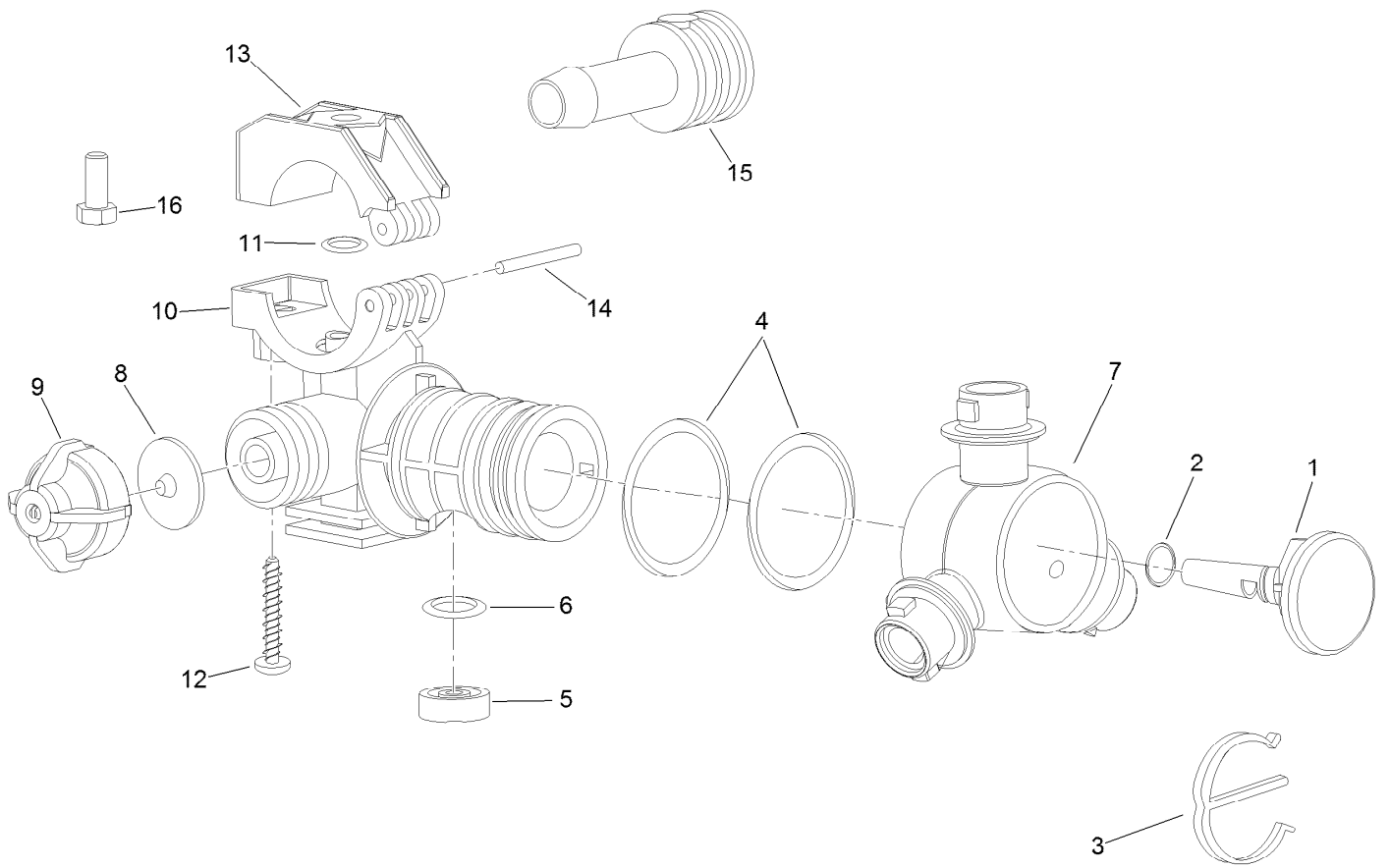
Center Boom Assembly

Ref.	Part Number	Qty.	Description	Ref.	Part Number	Qty.	Description
1	136-0381	1	Boom-LH	23	95-9186	4	Cap
1:2	120-0617	2	Decal-Warning, Pinch, Crush	23:1	40998	1	Seat-Gasket
3	108-3725	1	LH Single Body Turret ASM	24	95-9187	8	Cap-Blank
4	108-3727	2	Double Turret Body ASM	24:1	40998	1	Seat-Gasket
5	108-3726	1	RH Single Body Turret ASM	25	108-3735	1	Hose-Boom, Center (LH)
7	104-8300	10	Nut-HF, NI	27	3256-68	2	Washer-Flat
9	108-3439	1	Tee	28	110-5070	2	Bumper
10	2412-129	9	Clamp-Hose	29	127-8955-03	1	Mount-Boom
11	130-8238-03	2	Lower Cradle ASM	30	127-8956-03	1	Mount-Boom
12	110-5050	22	Screw-HHF	31	110-5057	4	Capscrew-HHF
13	104-8301	32	Nut-HF, NI	32	108-3745	4	Nut-HHF, Whiz
14	108-3476-03	2	Cradle-Upper	33	119-4993-03	2	Bracket-Pivot
15	108-3457	2	Spacer	34	108-3471-03	4	Hinge
16	108-3742	2	Screw-HHF	35	100-8541	4	Bushing-A Arm
17	108-3489	4	Cap-Tube	36	108-3436	2	Pin-Clevis
18	110-5052	4	Screw-HHF	37	3290-468	2	Pin-Cotter
19	108-3495	2	Cover-Slide	38	110-5054	4	Washer-Flat
20	108-3743	2	Washer	39	108-3738	4	Screw-HH
21	108-3744	2	Screw-Shoulder	40	3296-15	4	Nut-Lock, NI
22	114-9566	2	Clamp-R	41	108-3419	2	Pivot Pin ASM
				42	108-3605	8	Plate-Backing



Center Boom Assembly (continued)

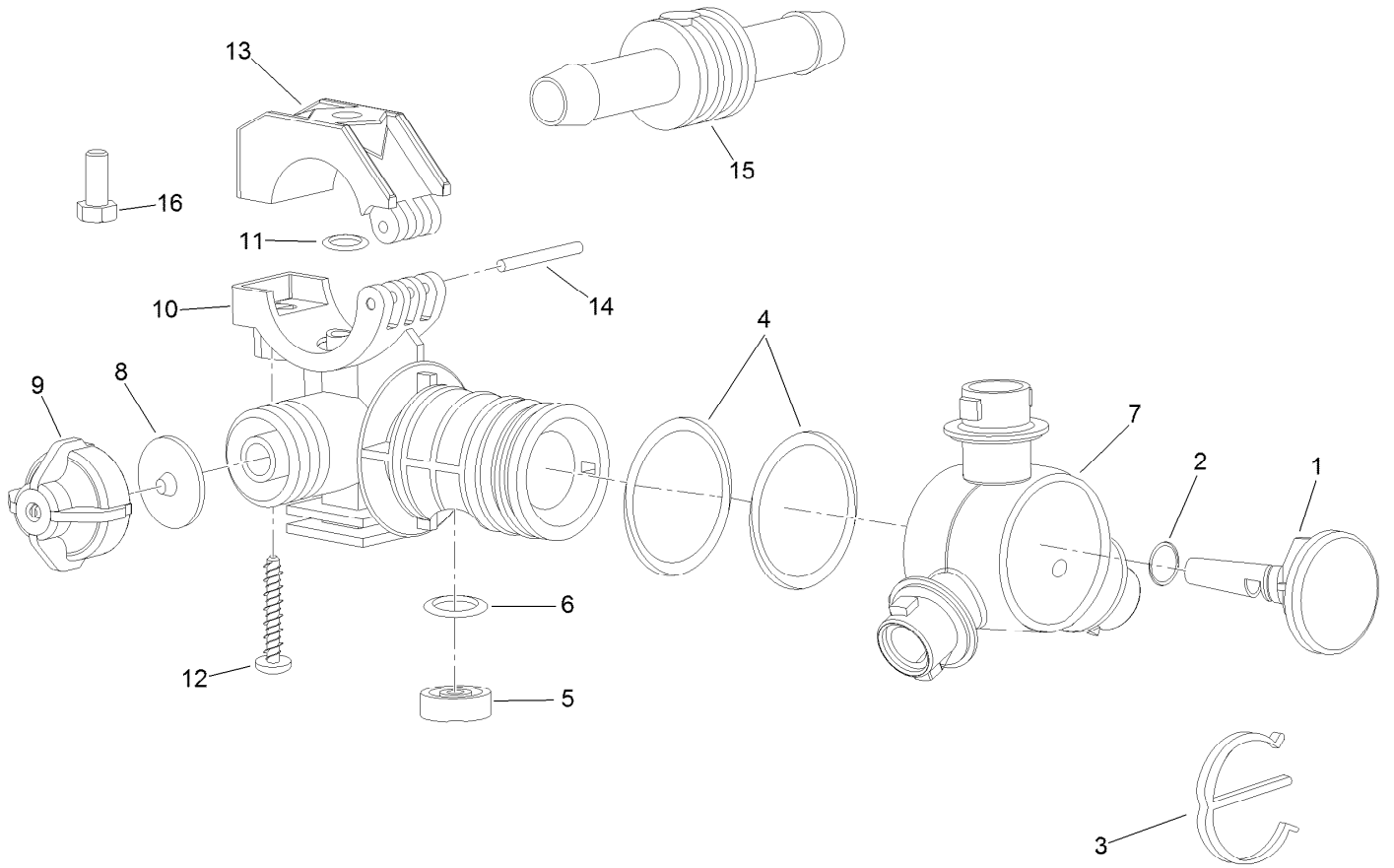
<i>Ref.</i>	<i>Part Number</i>	<i>Qty.</i>	<i>Description</i>	<i>Ref.</i>	<i>Part Number</i>	<i>Qty.</i>	<i>Description</i>
43	108-3444	4	Retainer-Spring	50	133-0412-03	1	Center-Center, Boom
44	108-3440	4	Spring-Breakaway, Boom	52	136-0382	1	Boom-RH
45	302-5	8	Fitting-Grease	52:2	120-0617	2	Decal-Warning, Pinch, Crush
46	108-3459	4	Boot-Hinge	53	136-0438	1	Hose-Formed
47	120-8541	4	Dampener-Hinge	54	108-3728	1	Hose-Boom
48	108-3748	2	Screw-HHF	55	40506	1	Hose-Jumper
49	3234-42	4	Screw-HHF				



RH Single Body Turret Assembly No. 108-3726

<i>Ref.</i>	<i>Part Number</i>	<i>Qty.</i>	<i>Description</i>
1	95-9200	1	Plug
2	95-9198	1	O-Ring
3	95-9197	1	E-Clip
4	95-9199	2	O-Ring
5	108-3264	1	Seal-Viton
6	108-3265	1	O-Ring-Viton
7	95-9196	1	Turret
8	41003	1	Diaphragm

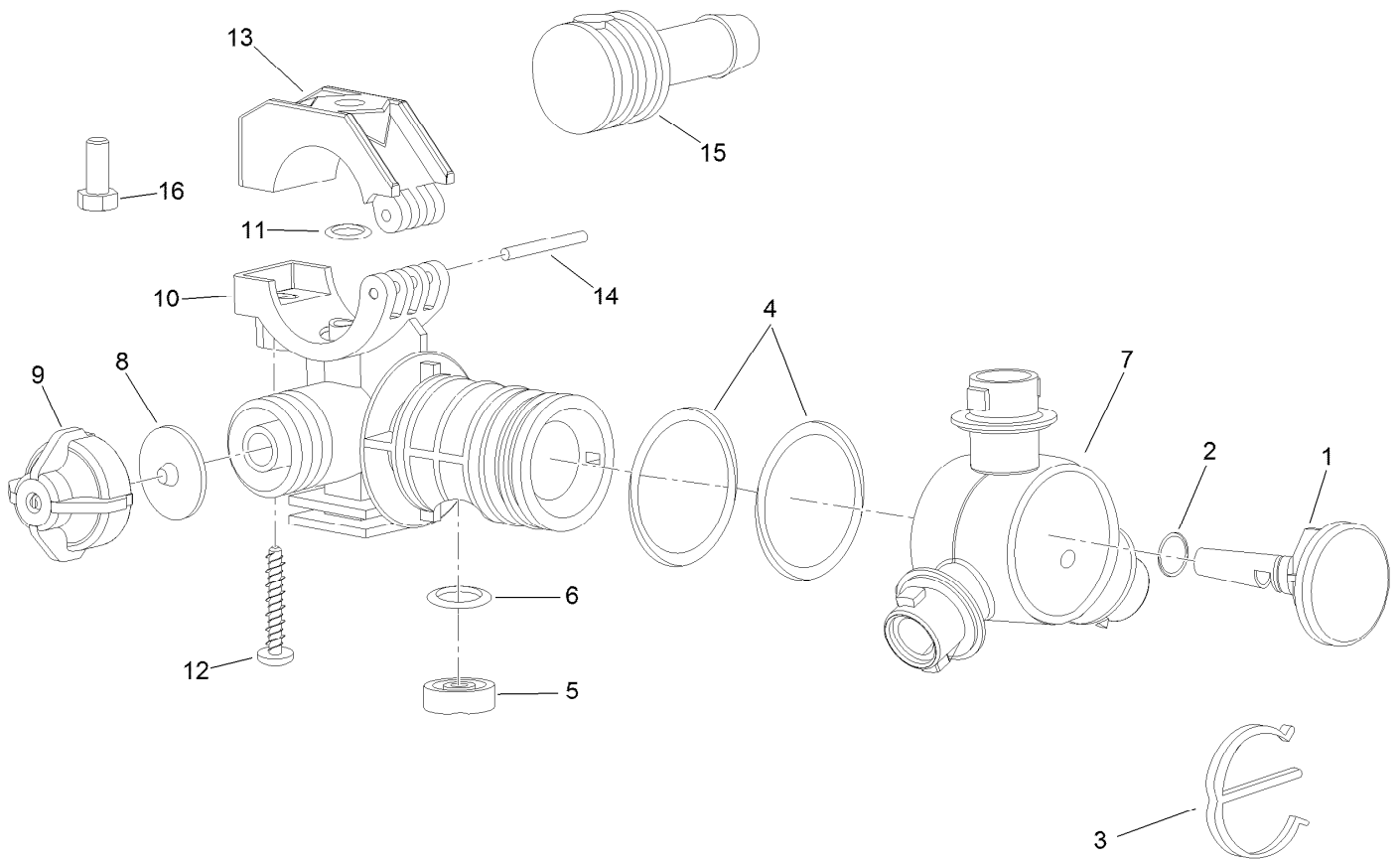
<i>Ref.</i>	<i>Part Number</i>	<i>Qty.</i>	<i>Description</i>
9	95-9193	1	Cap-Diaphragm
10	95-9192	1	Body-Split Eyelet
11	95-9191	1	O-Ring
12	99-0811	1	Screw-Clamp
13	99-0812	1	Clamp-Upper
14	99-0814	1	Pin-Pivot
15	95-9201	1	Shank-Hose
16	322-3	1	Screw-HH



Double Turret Body Assembly No. 108-3727

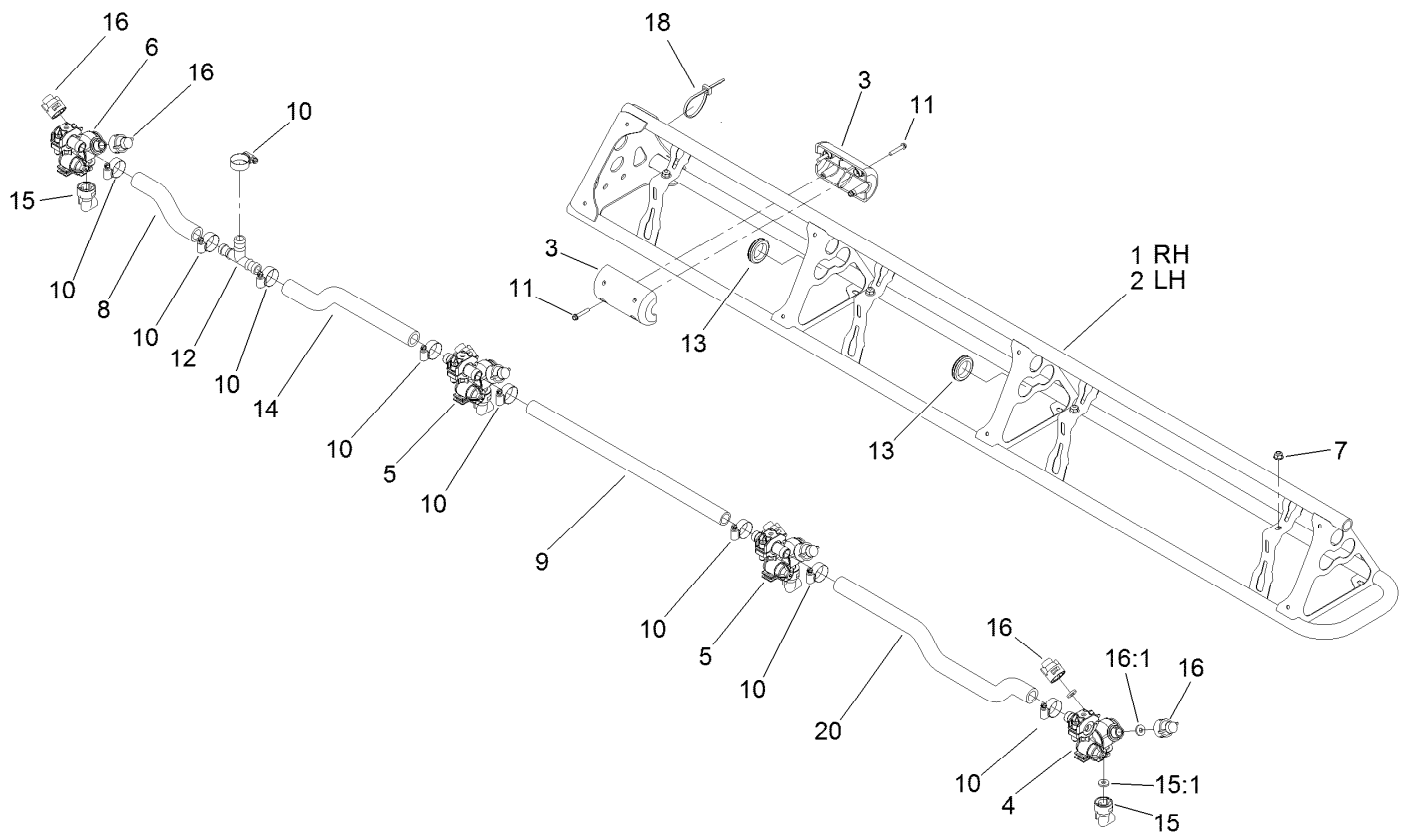
<i>Ref.</i>	<i>Part Number</i>	<i>Qty.</i>	<i>Description</i>
1	95-9200	1	Plug
2	95-9198	1	O-Ring
3	95-9197	1	E-Clip
4	95-9199	2	O-Ring
5	108-3264	1	Seal-Viton
6	108-3265	1	O-Ring-Viton
7	95-9196	1	Turret
8	41003	1	Diaphragm

<i>Ref.</i>	<i>Part Number</i>	<i>Qty.</i>	<i>Description</i>
9	95-9193	1	Cap-Diaphragm
10	95-9192	1	Body-Split Eyelet
11	95-9191	1	O-Ring
12	99-0811	1	Screw-Clamp
13	99-0812	1	Clamp-Upper
14	99-0814	1	Pin-Pivot
15	95-9202	1	Shank-Hose
16	322-3	1	Screw-HH



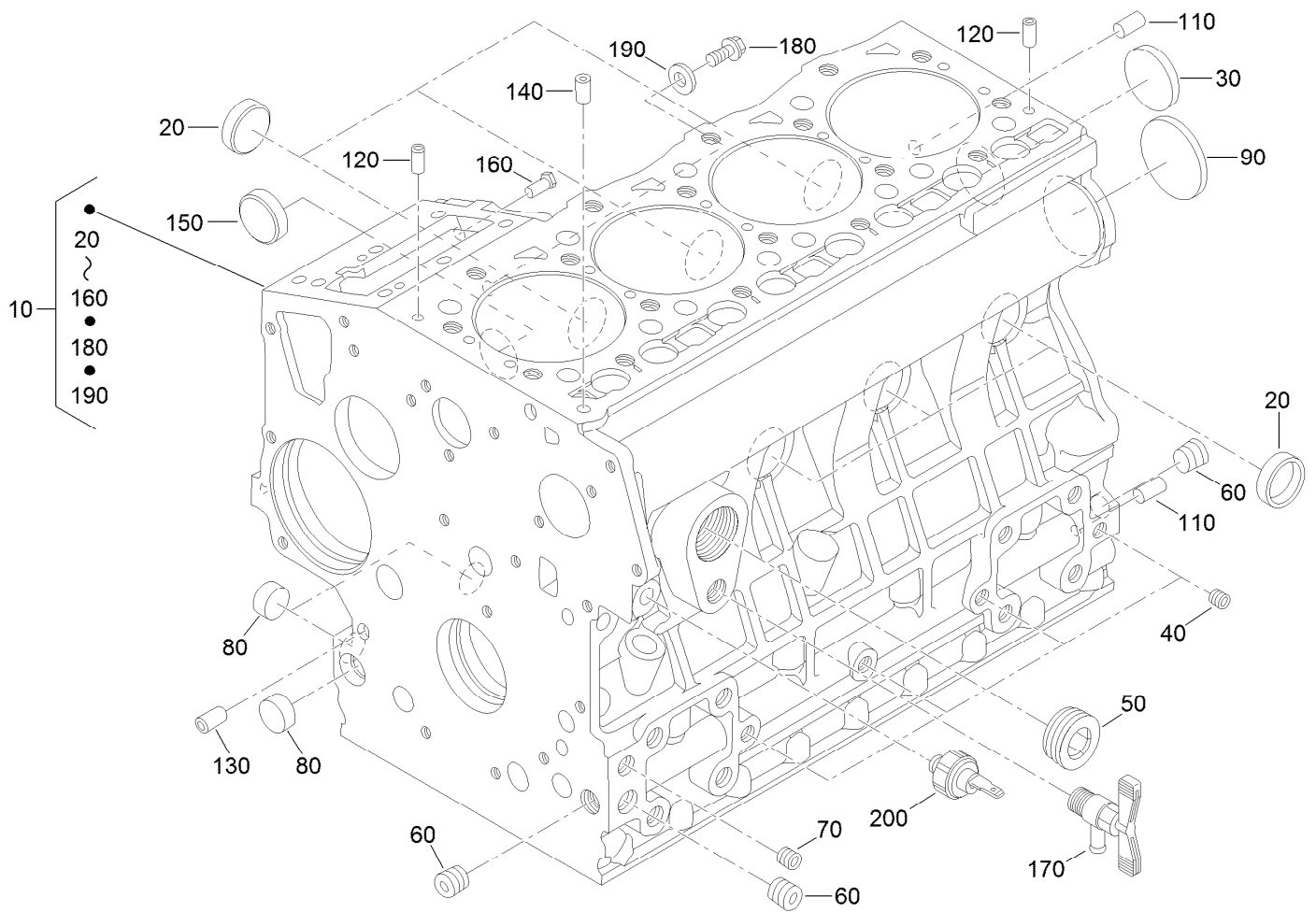
LH Single Turret Body Assembly No. 108-3725

<i>Ref.</i>	<i>Part Number</i>	<i>Qty.</i>	<i>Description</i>	<i>Ref.</i>	<i>Part Number</i>	<i>Qty.</i>	<i>Description</i>
1	95-9200	1	Plug	9	95-9193	1	Cap-Diaphragm
2	95-9198	1	O-Ring	10	95-9192	1	Body-Split Eyelet
3	95-9197	1	E-Clip	11	95-9191	1	O-Ring
4	95-9199	2	O-Ring	12	99-0811	1	Screw-Clamp
5	108-3264	1	Seal-Viton	13	99-0812	1	Clamp-Upper
6	108-3265	1	O-Ring-Viton	14	99-0814	1	Pin-Pivot
7	95-9196	1	Turret	15	95-9201	1	Shank-Hose
8	41003	1	Diaphragm	16	322-3	1	Screw-HH



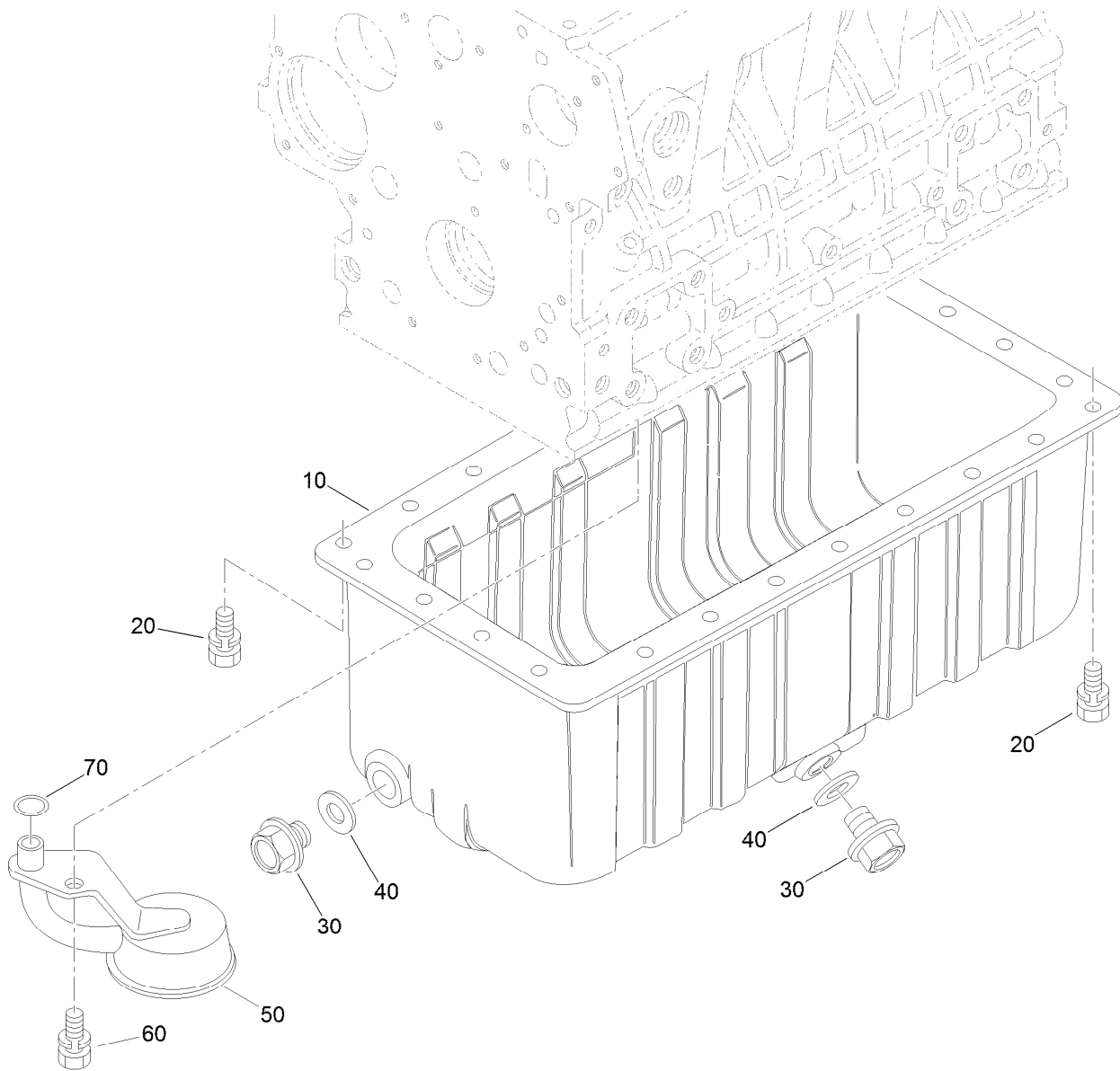
Left and Right Hand Boom Assembly

<i>Ref.</i>	<i>Part Number</i>	<i>Qty.</i>	<i>Description</i>	<i>Ref.</i>	<i>Part Number</i>	<i>Qty.</i>	<i>Description</i>
1	108-3524-03	1	Boom-RH	11	119-9369	8	Screw-HHF
2	108-3525-03	1	Boom-LH	12	108-3439	2	Tee
3	119-9368	4	Block Slide	13	240-3	4	Grommet-Rubber
4	108-3725	2	LH Single Body Turret ASM	14	136-0436	2	Hose-Formed
5	108-3727	4	Double Turret Body ASM	15	95-9186	8	Cap
6	108-3726	2	RH Single Body Turret ASM	15:1	40998	1	Seat-Gasket
7	104-8300	8	Nut-HF, NI	16	95-9187	16	Cap-Blank
8	136-0437	2	Hose-Formed	16:1	40998	1	Seat-Gasket
9	40506	2	Hose-Jumper	18	3290-378	2	Tie-Cable
10	2412-129	18	Clamp-Hose	20	108-3735	2	Hose-Boom, Center (LH)



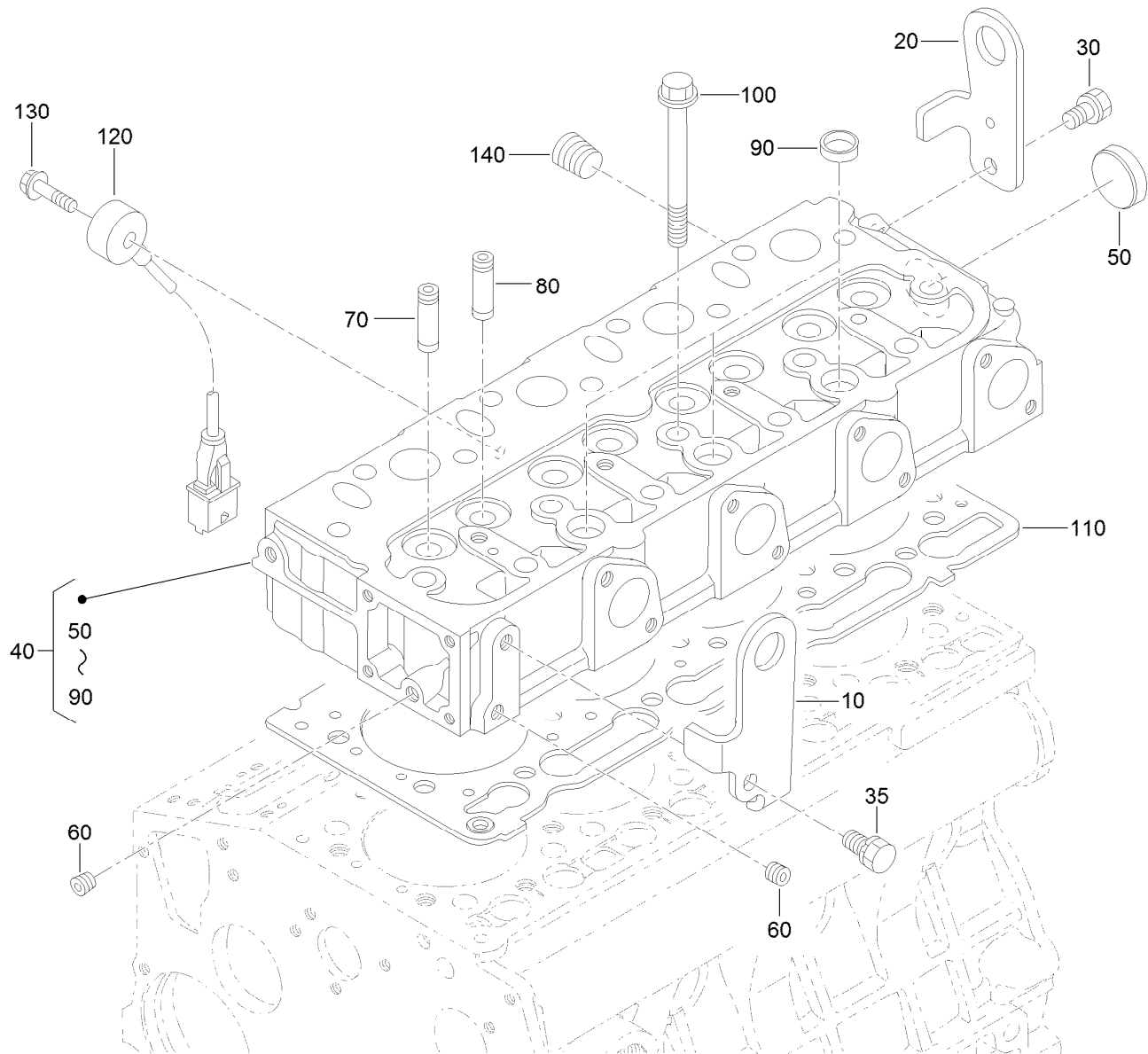
Crankcase Assembly

<i>Ref.</i>	<i>Part Number</i>	<i>Qty.</i>	<i>Description</i>	<i>Ref.</i>	<i>Part Number</i>	<i>Qty.</i>	<i>Description</i>
10	127-0451	1	Crankcase ASM	120	98-9376	2	Pin-Straight
20	98-9398	6	Cap-Sealing	130	98-9387	2	Pin-Pipe
30	98-7539	1	Cap-Sealing	140	98-9539	1	Pin-Pipe
40	98-9687	4	Plug	150	98-9599	1	Plug
50	105-3779	1	Plug	160	105-3796	1	Pin-Spring, Start
60	98-9597	3	Plug	170	120-3121	1	Draincock ASM
70	98-7487	2	Plug	180	99-8363	1	Bolt-Flange
80	98-9379	3	Plug-Expansion	190	98-7654	1	Gasket
90	98-9668	1	Plug-Expansion	200	98-9416	1	Switch-Oil
110	98-9377	2	Pin-Straight				



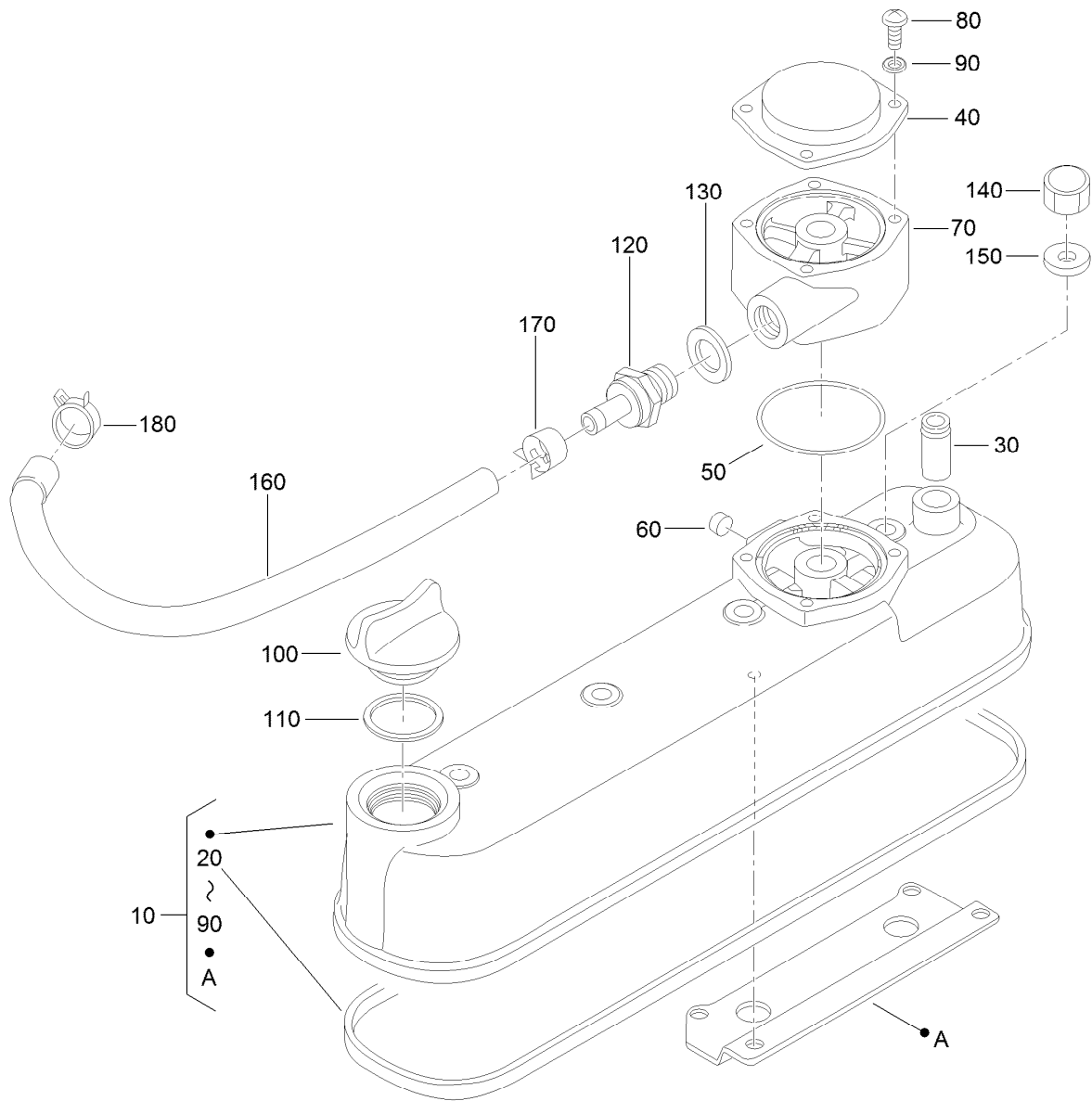
Oil Pan Assembly

<i>Ref.</i>	<i>Part Number</i>	<i>Qty.</i>	<i>Description</i>
10	108-2852	1	Oil Pan ASM
20	98-9351	26	Bolt
30	114-8151	2	Plug-Drain
40	98-7524	2	Gasket
50	112-7003	1	Head-Filter, Oil
60	98-7526	1	Bolt
70	105-3776	1	O-Ring



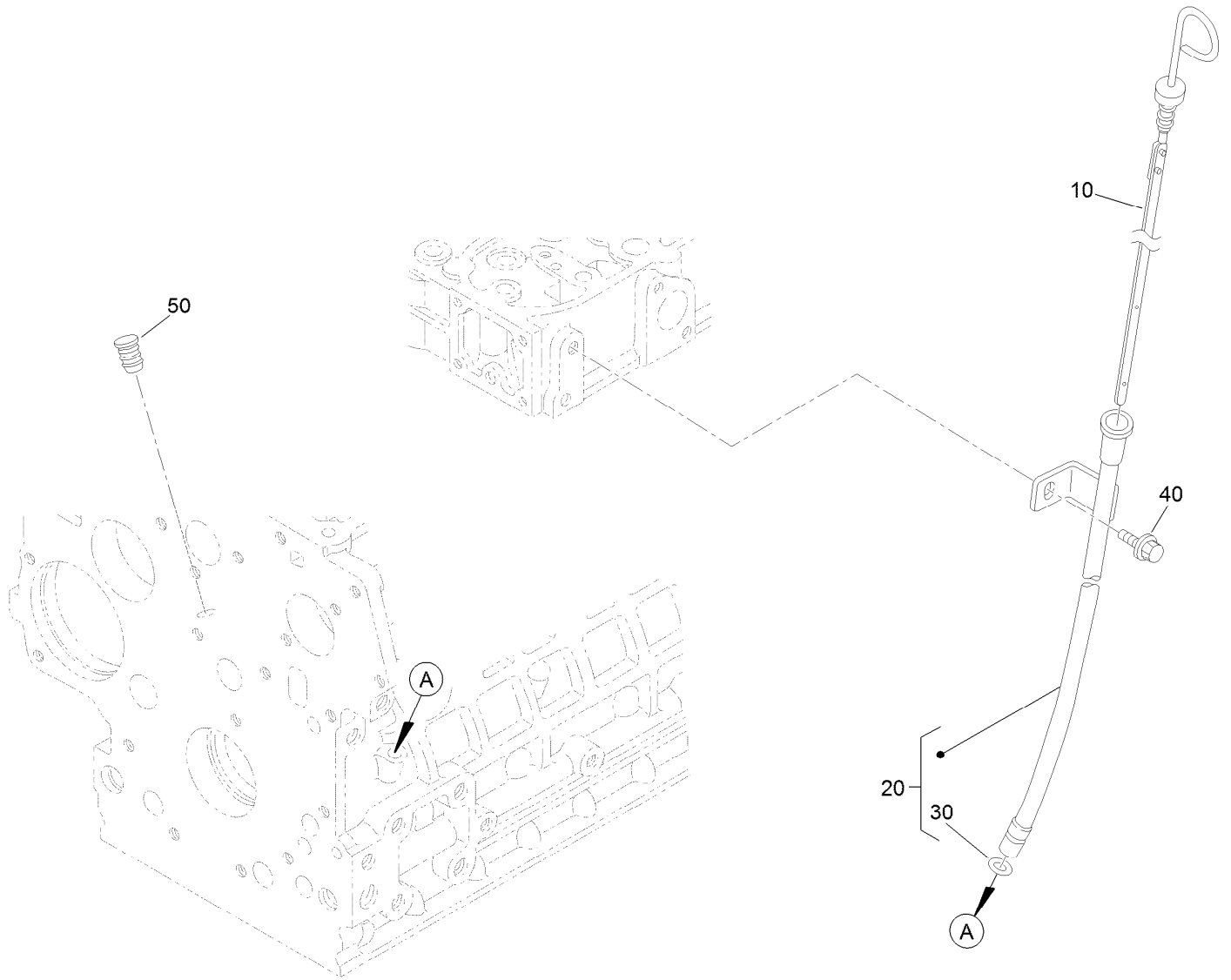
Cylinder Head Assembly

<i>Ref.</i>	<i>Part Number</i>	<i>Qty.</i>	<i>Description</i>
10	127-0463	1	Hook-Engine
20	127-0464	1	Hook-Engine
30	100-9195	1	Bolt
35	98-7526	1	Bolt
40	127-0452	1	Cylinder Head ASM
50	105-3705	1	Cap-Sealing
60	98-9687	2	Plug
70	107-9066	4	Guide-Valve, Inlet
80	127-0478	4	Guide-Valve, Exhaust
90	98-9389	3	Cap-Sealing
100	98-9479	9	Bolt-Head, Cylinder
110	127-0434	1	Gasket-Head, Cylinder
120	127-0467	1	Sensor-Knock
130	127-0506	1	Bolt-Sensor, Knock
140	98-9444	1	Plug



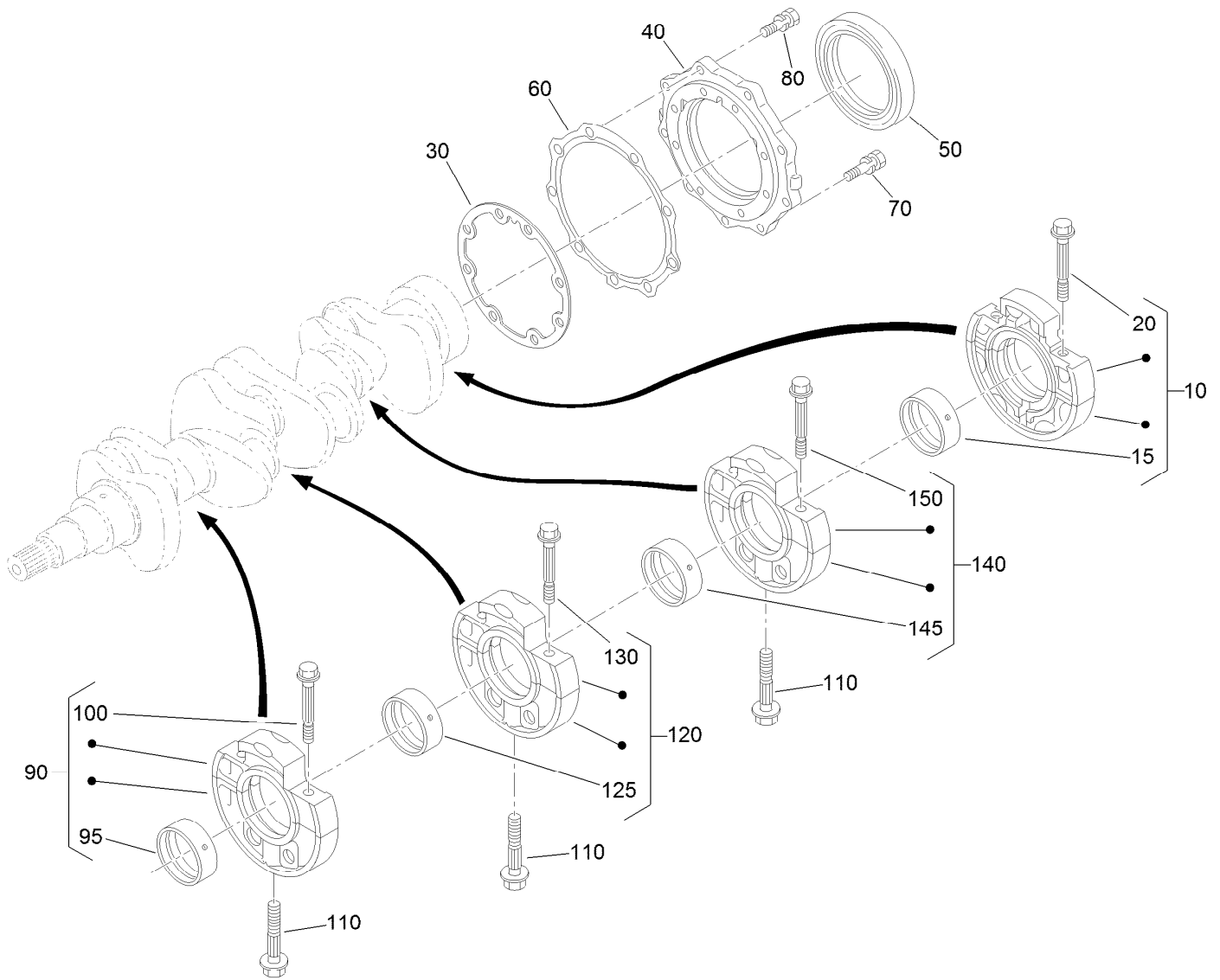
Cylinder Head Cover Assembly

<i>Ref.</i>	<i>Part Number</i>	<i>Qty.</i>	<i>Description</i>	<i>Ref.</i>	<i>Part Number</i>	<i>Qty.</i>	<i>Description</i>
10	127-0479	1	Cylinder Head Cover ASM	100	107-9075	1	Plug-Filler, Oil
20	105-3712	1	Gasket-Cover, Head	110	99-3446	1	O-Ring
30	98-7766	1	Pipe-Return, Water	120	127-0468	1	Valve-Pcv
40	108-7060	1	Cover-Breather	130	98-7528	1	O Ring-Copper
50	110-3846	2	O Ring-Breather	140	98-9455	4	Nut-Cap
60	115-3042	1	Cap-Sealing	150	98-9454	4	Gasket
70	127-0480	1	Spacer-Breather	160	127-0469	1	Tube-Breather
80	115-3044	4	Screw-Pan Head	170	127-0491	1	Clamp-Hose
90	127-0408	4	Washer-Lock, Spring	180	98-9579	1	Band-Pipe



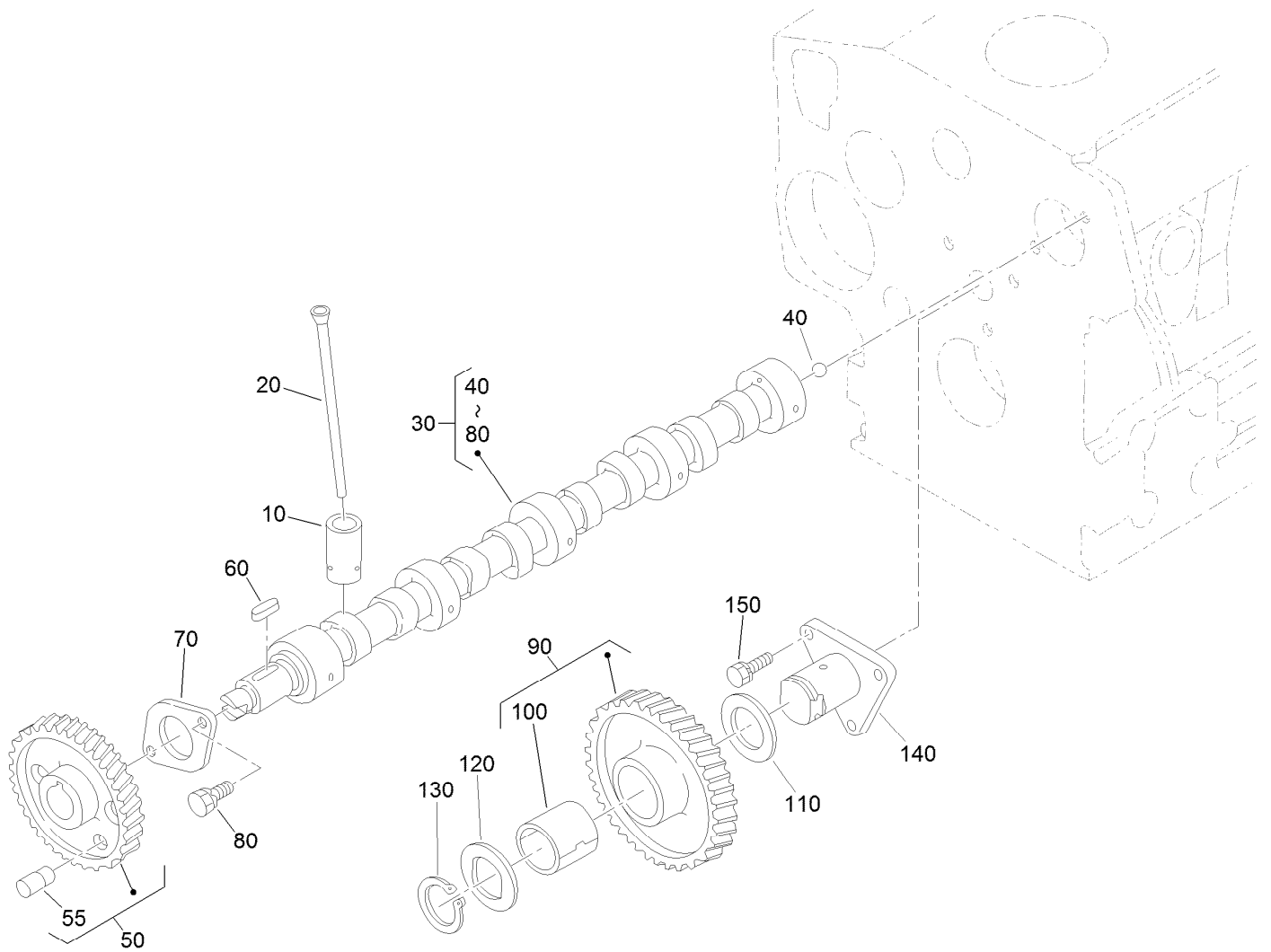
Oil Dipstick and Guide Assembly

Ref.	Part Number	Qty.	Description
10	98-9670	1	Gauge-Oil
20	98-9672	1	Oil Gauge Guide ASM
30	98-9722	1	O-Ring
40	115-8504	1	Bolt-Flange
50	110-3720	1	Plug-Gauge, Oil



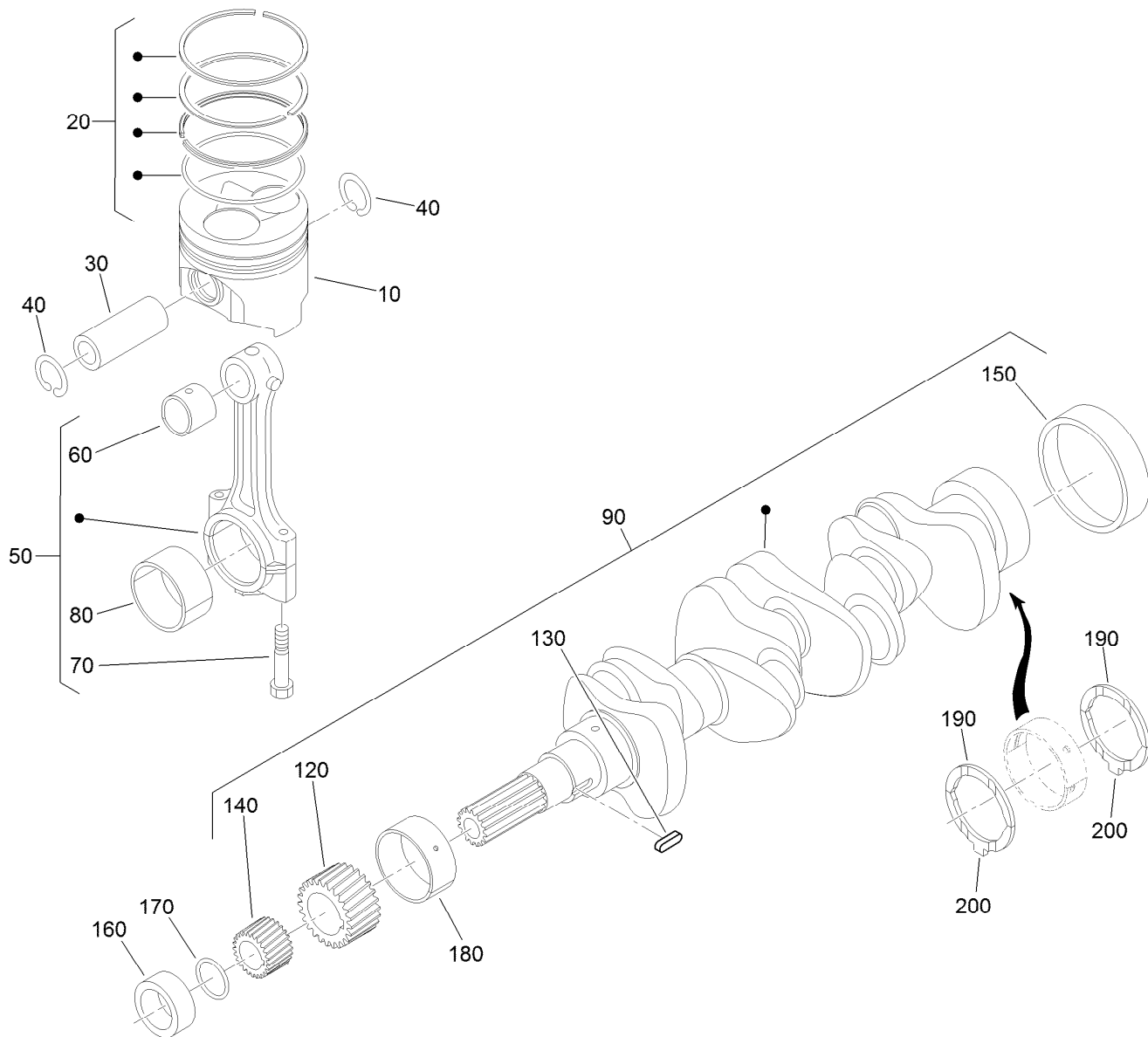
Main Bearing Case Assembly

<i>Ref.</i>	<i>Part Number</i>	<i>Qty.</i>	<i>Description</i>	<i>Ref.</i>	<i>Part Number</i>	<i>Qty.</i>	<i>Description</i>
10	112-7026	1	Wheel Bearing Case ASM	95	98-9524	2	Metal-Crankshaft (STD Set)
15	98-9525	1	Metal-Crankshaft (STD Set)	100	98-9484	2	Bolt-Case, Bearing
20	98-9484	2	Bolt-Case, Bearing	110	98-9485	3	Bolt-Case, Bearing
30	131-6554	1	Gasket-Case, Bearing	120	127-0428	1	Main Bearing Case ASM
40	112-7046	1	Cover-Case, Bearing	125	98-9524	1	Metal-Crankshaft (STD Set)
50	112-0180	1	Seal-Oil	130	98-9484	2	Bolt-Case, Bearing
60	112-7037	1	Gasket-Cover, Case	140	127-0429	1	Bearing Case ASM
70	127-0441	8	Bolt	145	98-9524	1	Metal-Crankshaft (STD Set)
80	127-0442	9	Bolt	150	98-9484	2	Bolt-Case, Bearing
90	127-0427	1	Main Bearing Case ASM				



Cam Shaft and Idle Gear Assembly

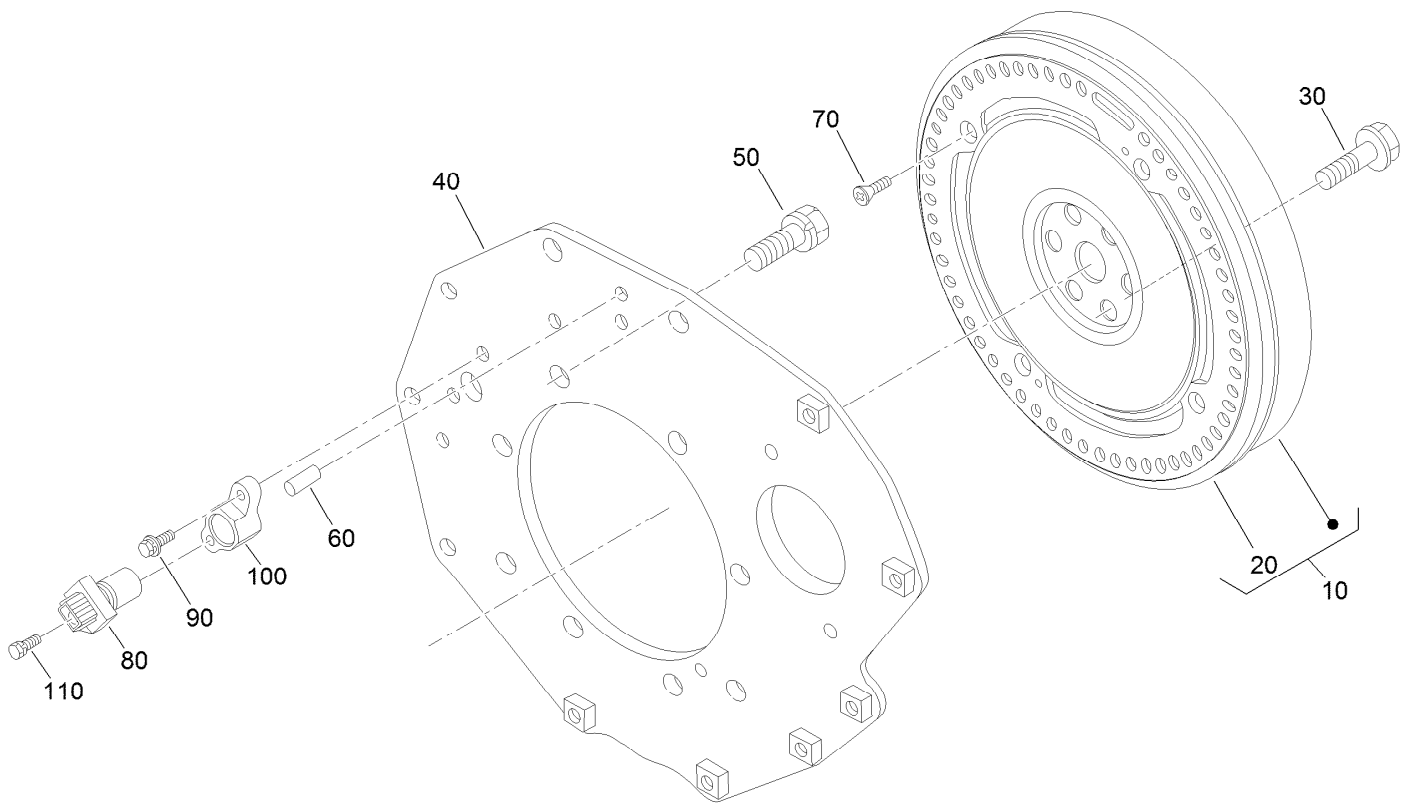
<i>Ref.</i>	<i>Part Number</i>	<i>Qty.</i>	<i>Description</i>	<i>Ref.</i>	<i>Part Number</i>	<i>Qty.</i>	<i>Description</i>
10	112-0185	8	Tappet	80	98-7692	2	Bolt
20	127-0421	8	Rod-Push	90	117-7584	1	Idler Gear ASM
30	127-0481	1	Camshaft ASM	100	117-7585	1	Bushing-Gear, Idle
40	110-3729	1	Ball	110	98-9535	1	Collar-Gear, Idle
50	127-0482	1	Cam Gear ASM	120	98-9536	1	Collar-Gear, Idle
55	127-0483	1	Pin-Gear, Cam	130	98-9534	1	Circlip-Gear, Idle
60	98-9378	1	Key-Feather	140	98-9533	1	Shaft-Gear, Idle
70	98-9510	1	Stopper-Camshaft	150	98-7692	3	Bolt



Piston and Crankshaft Assembly

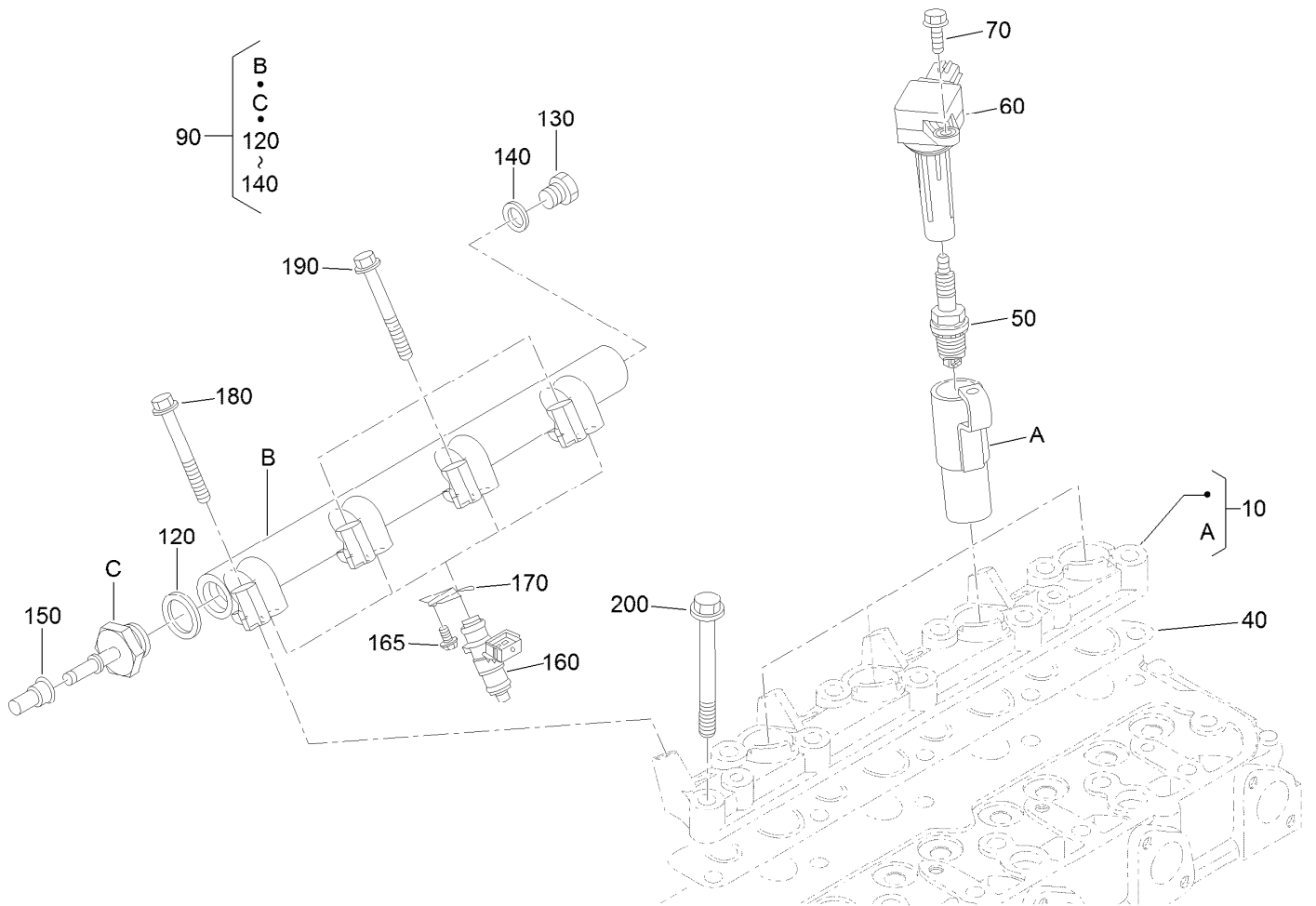
Ref.	Part Number	Qty.	Description
10	127-0487	4	Piston (STD)
10	127-0488	4	Piston (+0.50Mm)
20	127-0485	4	Piston Ring ASM (STD)
20	127-0486	4	Piston Ring ASM (+0.50Mm)
30	98-9513	4	Pin-Piston
40	98-9514	8	Circlip-Pin, Piston
50	117-7586	4	Connecting Rod ASM
60	115-3014	4	Bushing-Pin, Piston
70	98-9517	8	Bolt-Rod, Connecting
80	98-9553	4	Bearing-Rod (STD)
80	98-9519	4	Bearing-Rod (-0.2Mm)
80	117-7588	4	Metal-Crankpin (-0.4Mm)
90	127-0433	1	Metal-Crankshaft (-0.2Mm)
120	117-7561	1	Gear-Crankshaft

Ref.	Part Number	Qty.	Description
130	98-9666	1	Key
140	127-0445	1	Gear-Drive, Oil Pump
150	98-9522	1	Sleeve-Crankshaft
160	127-0444	1	Collar-Crankshaft
170	105-3783	1	O-Ring
180	98-9524	3	Metal-Crankshaft (STD Set)
180	127-0433	3	Metal-Crankshaft (-0.2Mm)
180	127-0432	1	Metal-Crankshaft (-0.4Mm)
190	98-9413	2	Bearing-Thrust (STD)
190	127-0416	2	Metal-Side (+0.2Mm)
190	127-0417	2	Metal-Side (+0.40Mm)
200	98-9688	2	Bearing-Thrust (STD)
200	127-0437	2	Metal-Side (+0.2Mm)
200	127-0438	2	Metal-Side (+0.40Mm)



Flywheel and Sensor Switch Assembly

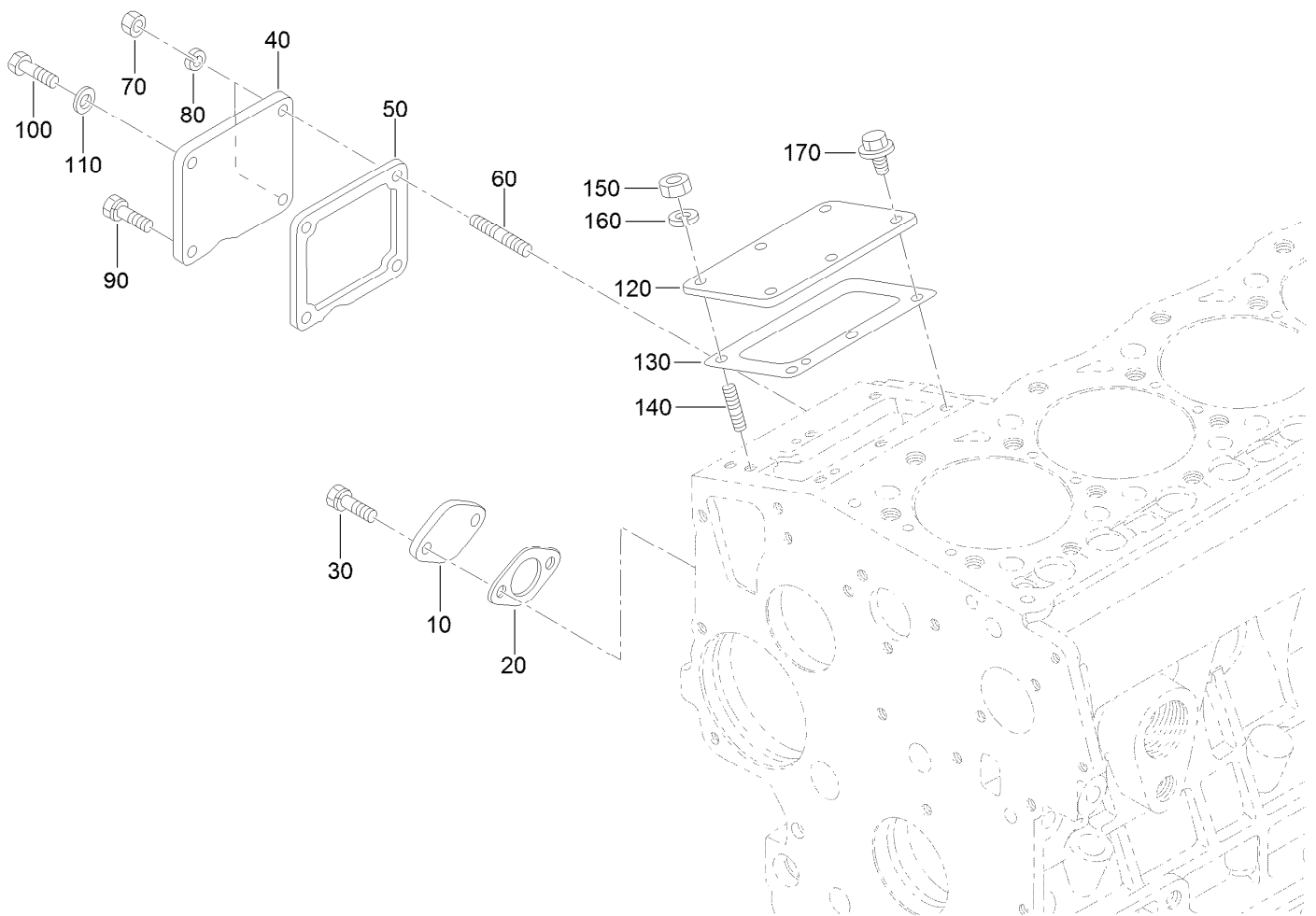
<i>Ref.</i>	<i>Part Number</i>	<i>Qty.</i>	<i>Description</i>
10	127-0489	1	Flywheel ASM
20	115-3015	1	Gear-Ring
30	98-9537	6	Bolt-Flywheel
40	127-0454	1	Plate-End, Rear
50	98-9392	8	Bolt
60	127-0412	2	Pin-Straight
70	127-0407	4	Screw-Head, Flat
80	125-9103	1	Sensor Stick ASM
90	127-0403	1	Bolt-Flange
100	127-0494	1	Holder-Sensor
110	127-0404	1	Bolt-Flange



Ignition Coil and Delivery Pipe Assembly

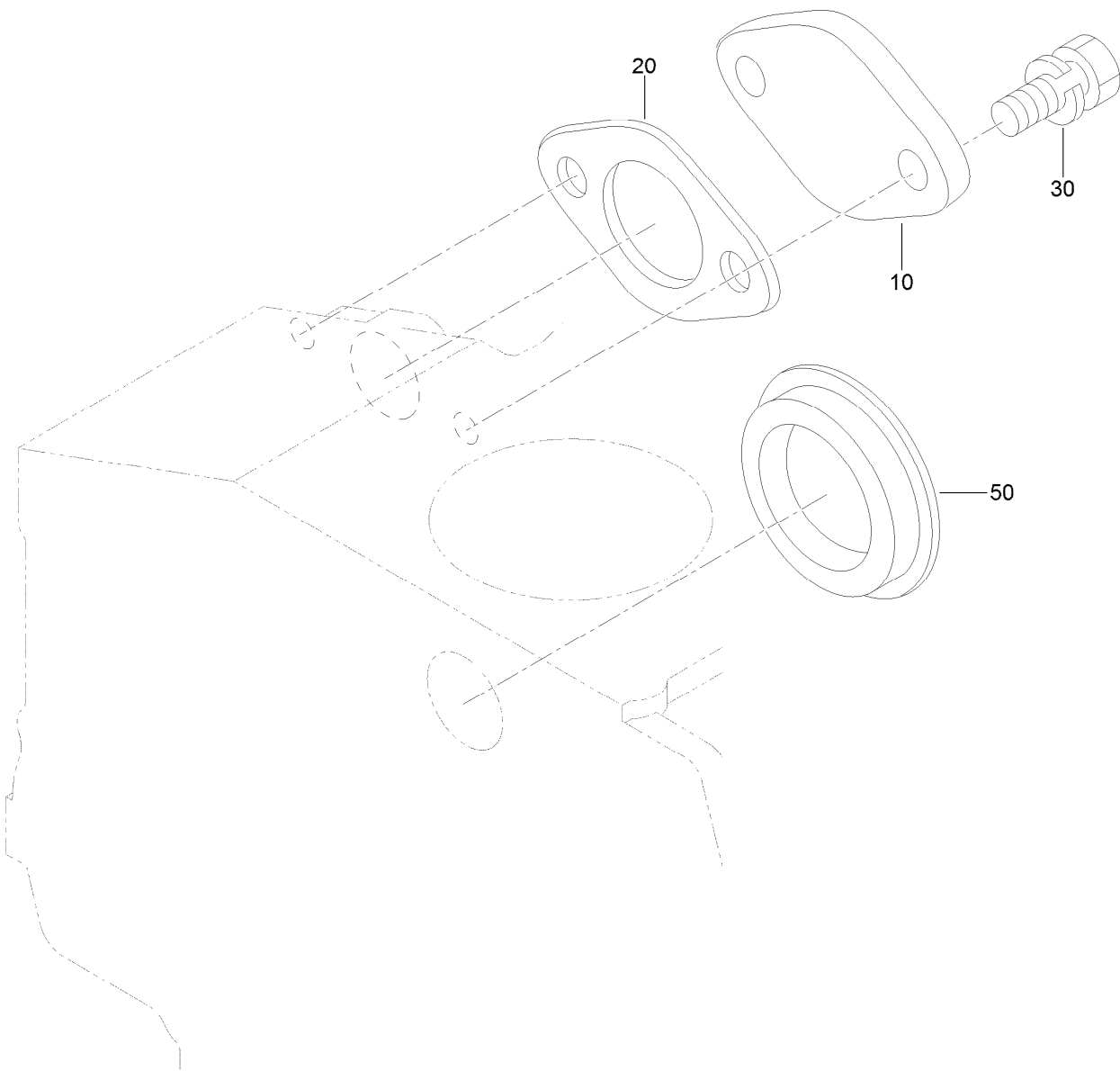
<i>Ref.</i>	<i>Part Number</i>	<i>Qty.</i>	<i>Description</i>
10	127-0459	1	Flange-Injector
40	127-0460	1	Gasket-Flange
50	127-0499	4	Spark Plug
60	127-0498	4	Coil-Ignition
70	99-8363	4	Bolt-Flange
90	127-0509	1	Delivery Pipe ASM
120	127-0411	1	Packing
130	127-0413	1	Plug

<i>Ref.</i>	<i>Part Number</i>	<i>Qty.</i>	<i>Description</i>
140	125-9096	1	Gasket
150	127-0456	1	Cap-Fuel
160	125-9107	4	Injector
165	100-1774	4	Bolt-Flange
170	127-0458	4	Stopper-Injector
180	127-0404	1	Bolt-Flange
190	127-0405	3	Bolt-Flange
200	127-0466	9	Bolt-Head, Cylinder



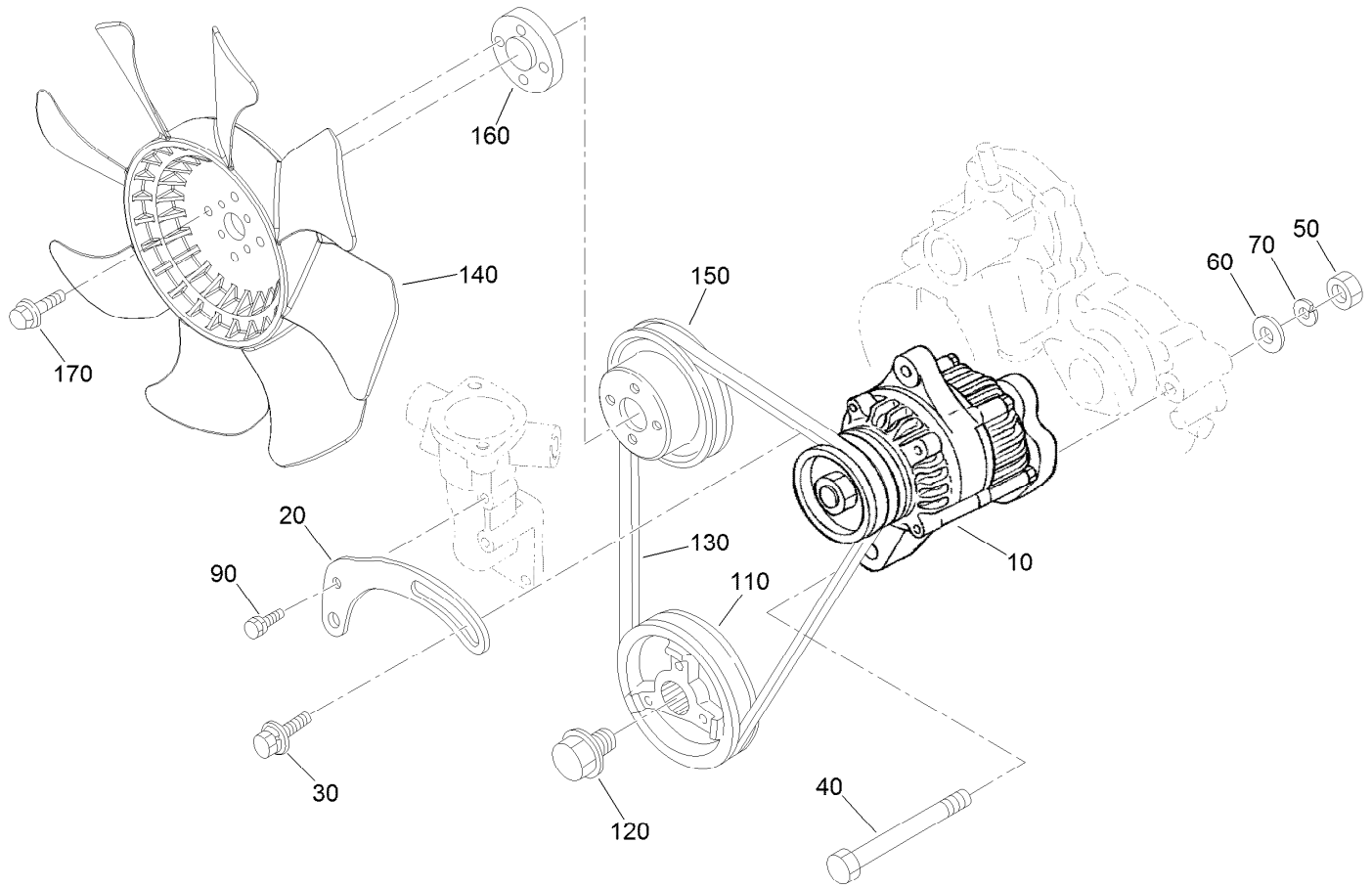
Engine Covers Assembly

<i>Ref.</i>	<i>Part Number</i>	<i>Qty.</i>	<i>Description</i>	<i>Ref.</i>	<i>Part Number</i>	<i>Qty.</i>	<i>Description</i>
10	115-4122	1	Cover-Shaft, Fork Lever	100	127-0401	1	Bolt-Hex
20	98-9682	1	Gasket	110	98-7654	1	Gasket
30	98-9350	2	Bolt	120	127-0465	1	Cover-Pump, Injection
40	127-0418	1	Cover	130	105-3728	1	Shim-Pump, Injection (.20Mm)
50	98-9637	1	Gasket	140	98-9438	3	Stud
60	105-3710	2	Stud	150	100-1776	3	Nut
70	98-7572	2	Nut	160	98-7699	3	Washer-Spring
80	98-7699	2	Washer-Spring	170	100-1774	3	Bolt-Flange
90	98-9350	1	Bolt				



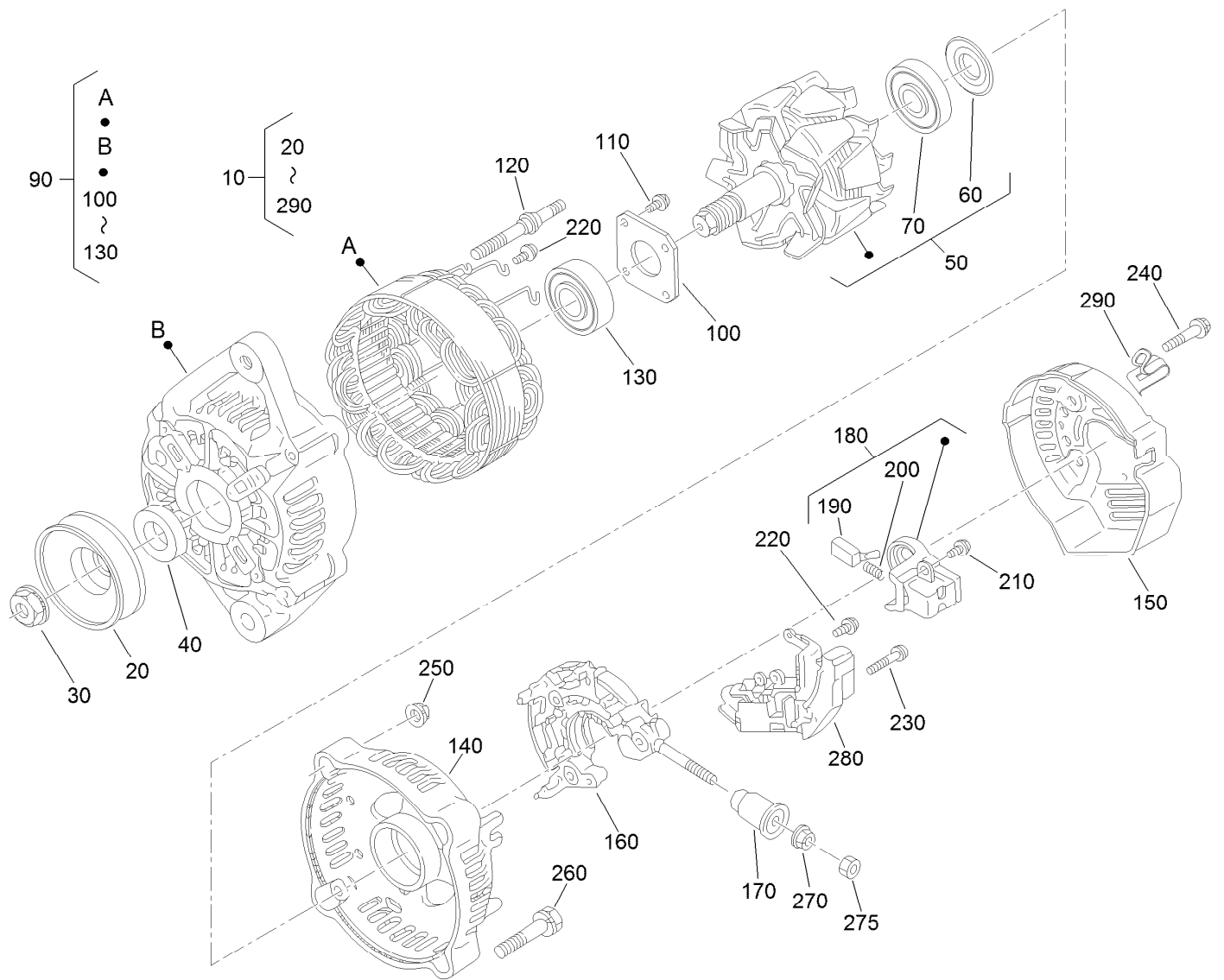
Solenoid Cover and Hydraulic Pump Cover

<i>Ref.</i>	<i>Part Number</i>	<i>Qty.</i>	<i>Description</i>
10	127-0419	1	Cover-Solenoid
20	98-9683	1	Gasket-Cover, Solenoid
30	98-7692	2	Bolt
50	112-7016	1	Cover-Pump



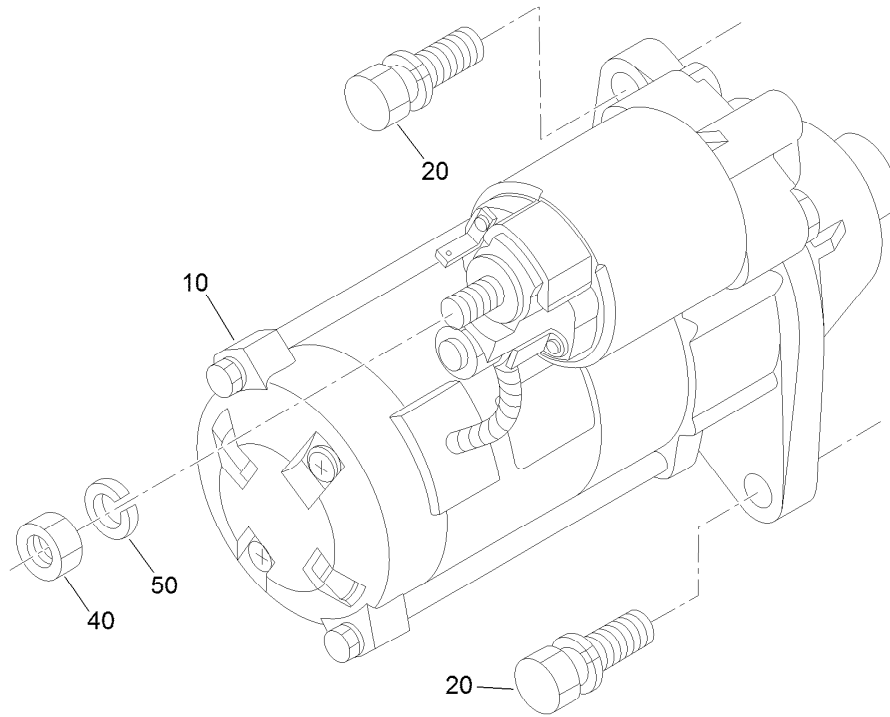
Alternator, Pulley and Fan Assembly

Ref.	Part Number	Qty.	Description
10	131-9567	1	60 Amp Alternator ASM
20	117-5542	1	Bracket
30	108-7088	1	Bolt
40	98-9360	1	Bolt
50	98-7737	1	Nut
60	98-9366	1	Washer-Plain
70	98-7738	1	Washer-Spring
90	98-7692	1	Bolt
110	105-3745	1	Pulley-Drive, Fan
120	98-9585	1	Bolt
130	104-3494	1	Belt-V
140	131-5803	1	Fan
150	98-9584	1	Pulley-Fan
160	108-2872	1	Collar-Fan
170	114-8414	4	Screw-HHF



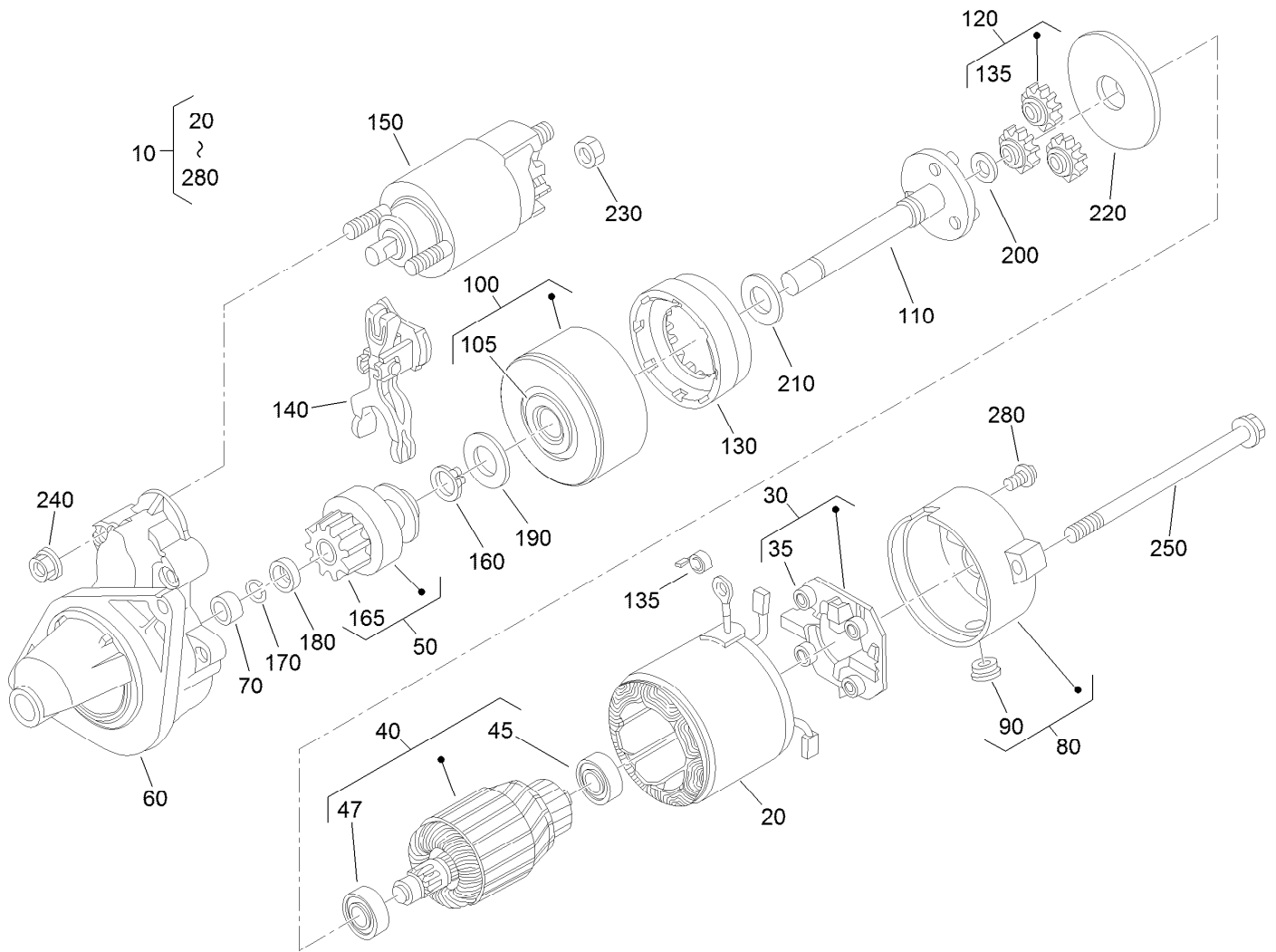
Alternator Assembly No. 131-9567

Ref.	Part Number	Qty.	Description	Ref.	Part Number	Qty.	Description
10	131-9567	1	60 Amp Alternator ASM	170	117-0321	1	Insulation-Brush
20	98-9453	1	Pulley-Dynamo	180	107-0141	1	Brush Holder ASM
30	98-7708	1	Nut	190	98-7724	2	Brush
40	98-7709	1	Collar	200	98-7725	2	Spring-Brush
50	107-0136	1	Rotor ASM	210	98-7726	2	Screw-Head, Round
60	98-7711	1	Cover-Bearing	220	98-7727	6	Screw-Head, Round
70	107-0138	1	Bearing-Ball	230	98-7728	1	Screw-Head, Round
90	131-9573	1	Frame-End, Drive	240	98-7729	3	Bolt
100	98-7715	1	Plate-Retainer	250	98-7730	2	Nut
110	98-7716	4	Screw-Head, Round	260	98-7731	2	Bolt
120	98-7717	2	Bolt-Through	270	98-7732	1	Nut
130	133-2811	1	Bearing	275	100-1776	1	Nut
140	121-3812	1	Frame-End	280	121-3809	1	Regulator ASM
150	121-3813	1	Cover-End	290	120-5841	1	Clamp-Cord
160	121-3805	1	Rectifier ASM				



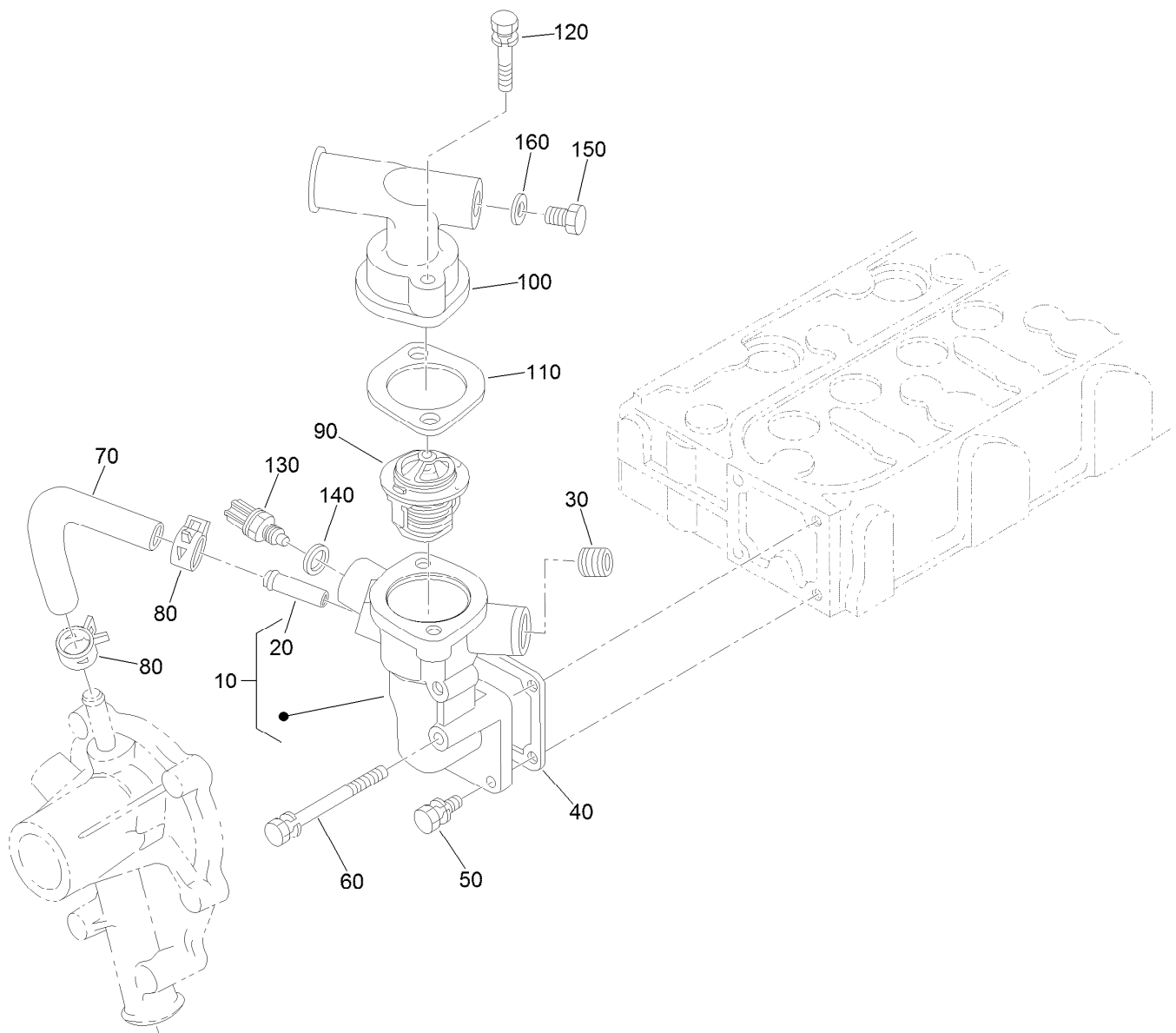
Starter Installation Assembly

<i>Ref.</i>	<i>Part Number</i>	<i>Qty.</i>	<i>Description</i>
10	127-0495	1	Starter ASM
20	98-7697	2	Bolt
40	98-7739	1	Nut
50	3253-4	1	Washer-Lock



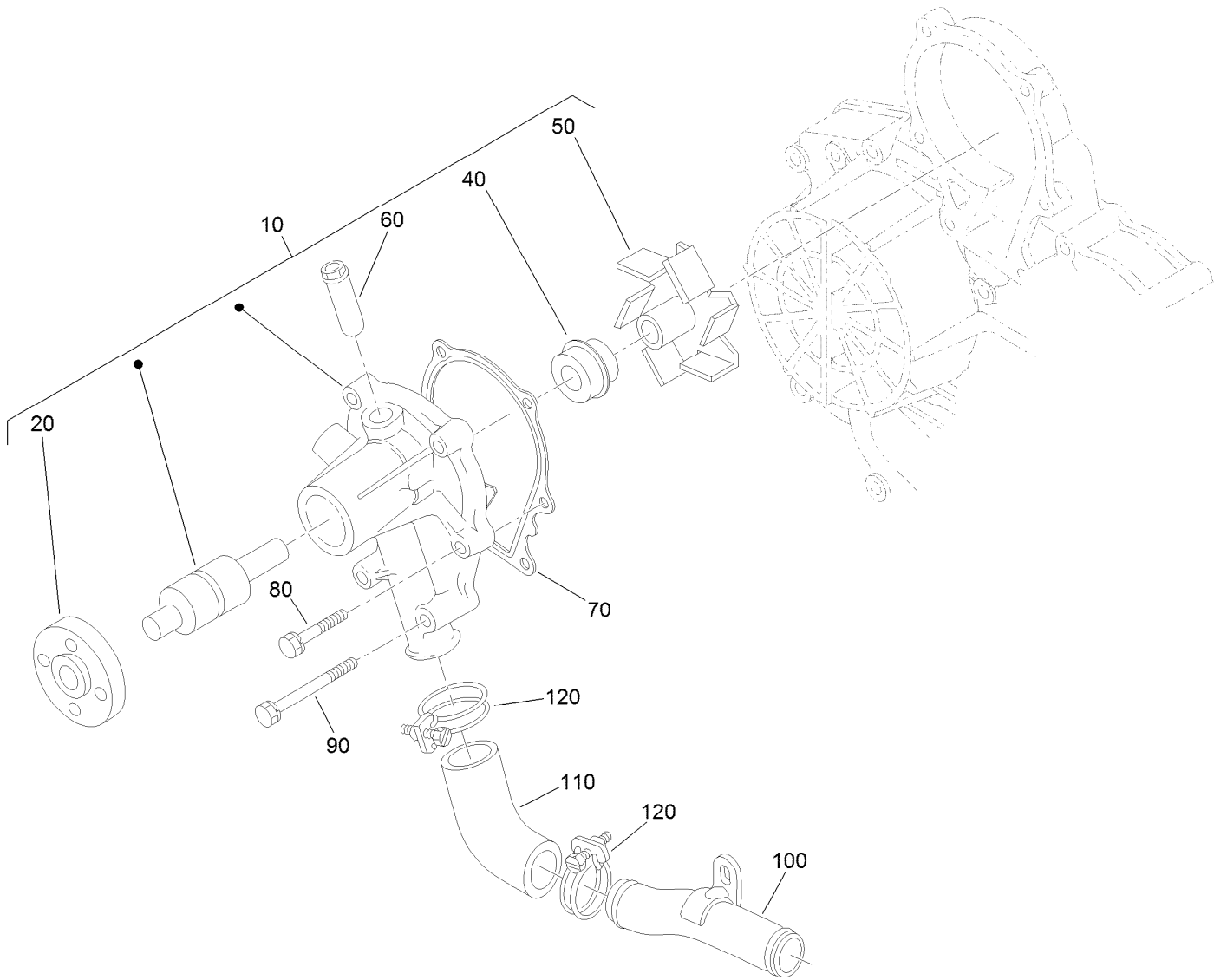
Starter Components Assembly

Ref.	Part Number	Qty.	Description	Ref.	Part Number	Qty.	Description
10	127-0495	1	Starter ASM	130	100-2221	1	Gear
20	100-2181	1	Starter Yoke ASM	135	98-7750	4	Spring-Brush
30	100-2222	1	Holder ASM	140	100-2218	1	Lever
35	127-0415	4	Spring-Brush	150	127-0448	1	Switch-Magnetic
40	100-2182	1	Armature ASM	160	100-2219	1	Ring-Snap
45	98-9412	1	Bearing-Ball	165	112-2833	1	Gear-Pinion
47	98-9411	1	Bearing-Ball	170	100-2212	1	Ring-Snap
50	100-2185	1	Starter Clutch ASM	180	100-2216	1	Collar
60	127-0490	1	Starter Housing ASM	190	100-2224	1	Washer-Plain
70	100-2183	1	Bearing	200	100-2225	1	Washer-Plain
80	127-0449	1	Frame ASM	210	100-2226	1	Washer-Plain
90	100-2213	1	Cover	220	100-2227	1	Plate
100	100-2223	1	Bearing ASM	230	99-8371	1	Nut-Hex
105	127-0414	1	Bearing	240	100-1813	2	Nut
110	100-2187	1	Starter Shaft ASM	250	100-2210	2	Bolt-Through
120	100-2220	3	Gear	280	100-2188	2	Screw



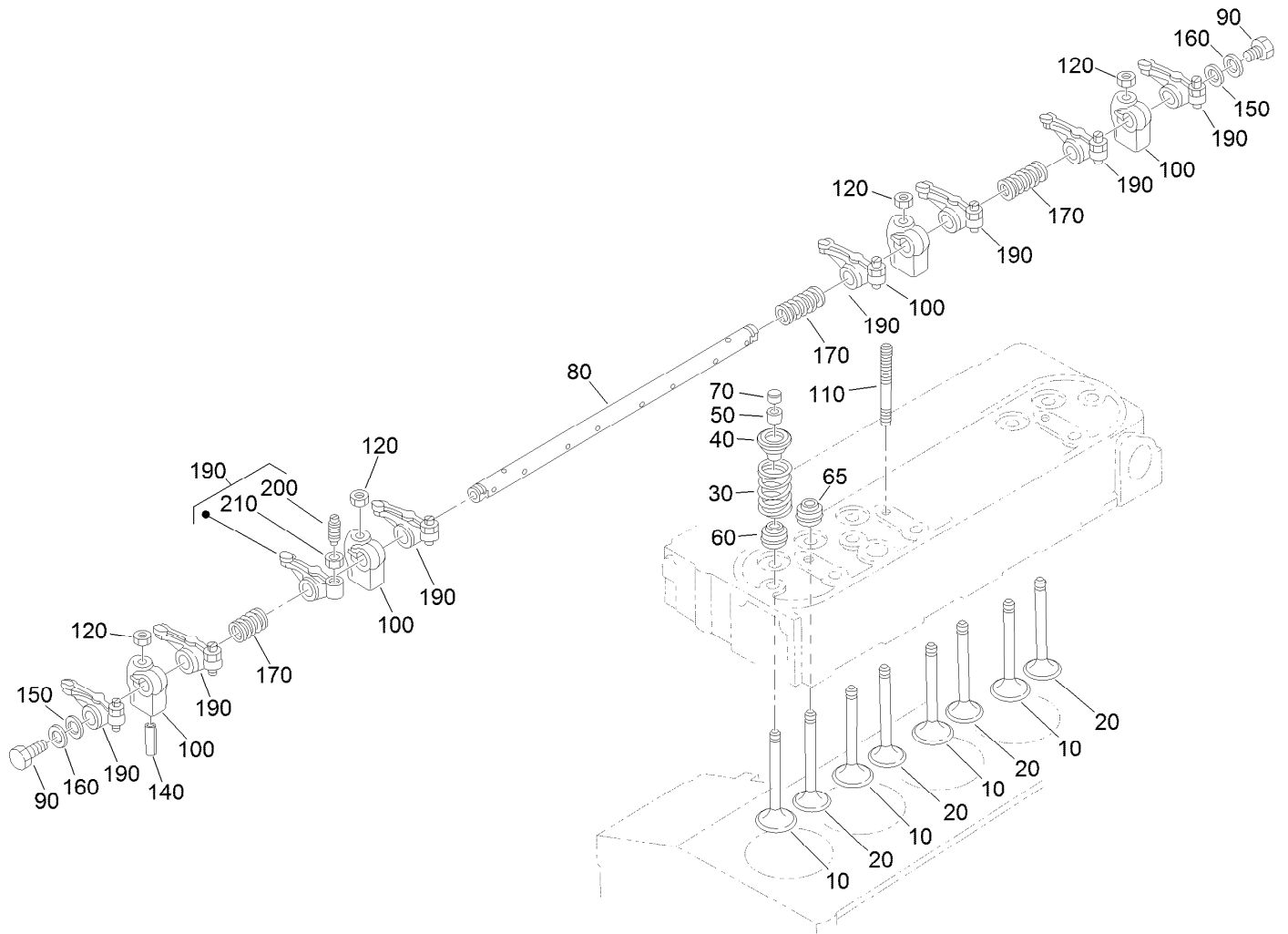
Water Flange and Thermostat Assembly

<i>Ref.</i>	<i>Part Number</i>	<i>Qty.</i>	<i>Description</i>	<i>Ref.</i>	<i>Part Number</i>	<i>Qty.</i>	<i>Description</i>
10	127-0435	1	Water Flange ASM	90	98-7778	1	Thermostat ASM
20	98-9580	1	Pipe-Return, Water	100	108-2869	1	Cover-Thermostat
30	105-2874	1	Plug	110	105-3748	1	Gasket-Thermostat
40	98-9638	1	Gasket-Flange, Water	120	98-7777	2	Bolt
50	98-7692	3	Bolt	130	125-9102	1	Sensor-Temperature, Water
60	98-9356	1	Bolt	140	127-0410	1	Washer-Seal
70	98-9578	1	Pipe-Return, Water	150	108-2870	1	Plug-Drain
80	125-9078	2	Clamp-Hose	160	100-9155	1	Gasket



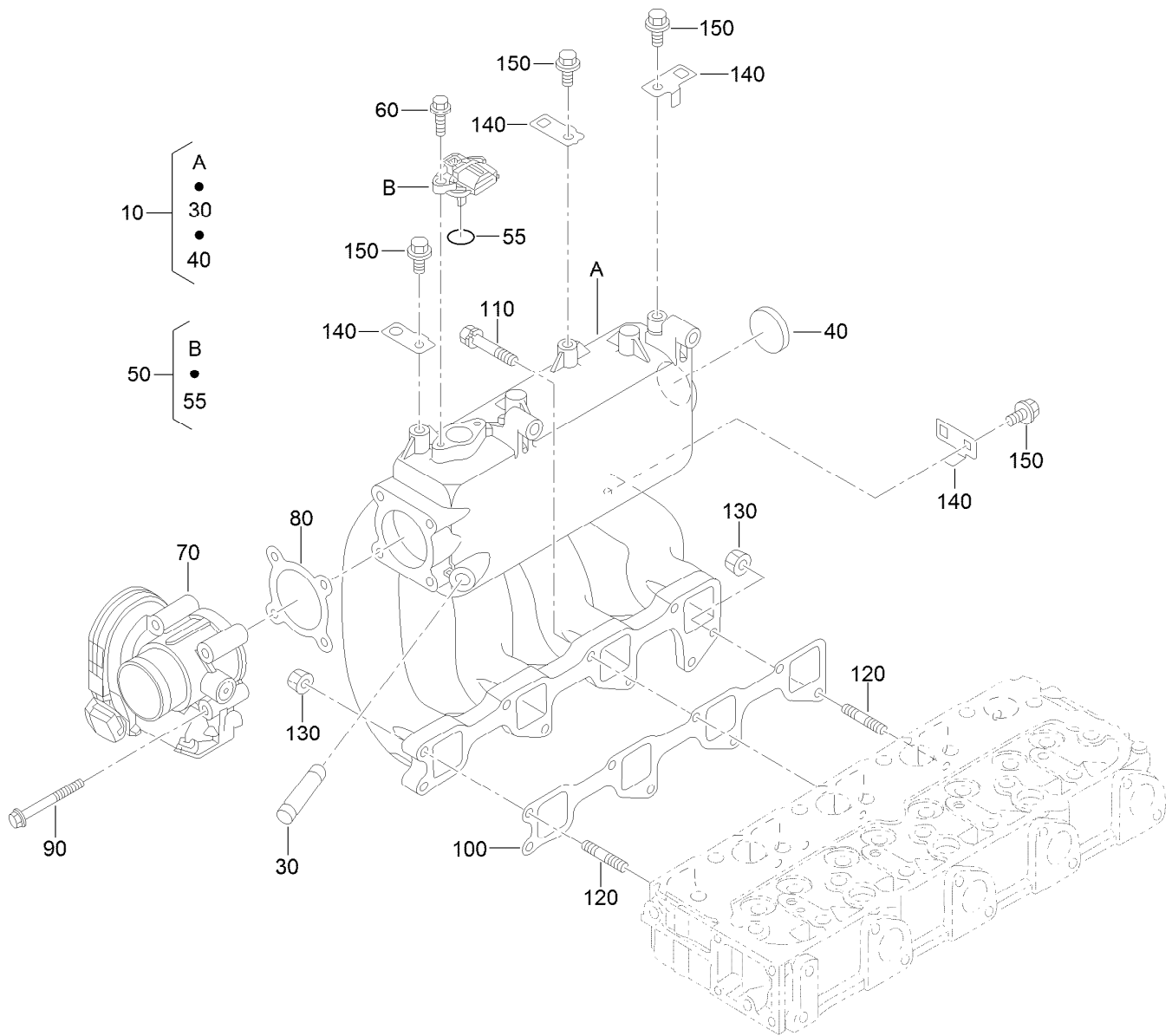
Water Pump Assembly

<i>Ref.</i>	<i>Part Number</i>	<i>Qty.</i>	<i>Description</i>
10	107-9089	1	Water Pump ASM
20	99-3516	1	Flange-Pump, Water
40	105-3750	1	Mechanical Seal ASM
50	112-7017	1	Impeller-Pump, Water
60	100-1932	1	Pipe-Return, Water
70	99-3454	1	Gasket-Pump, Water
80	98-9353	4	Bolt
90	107-9090	2	Bolt
100	98-9716	1	Pipe-Water
110	107-9091	1	Pipe-Water
120	127-0439	2	Clamp-Hose



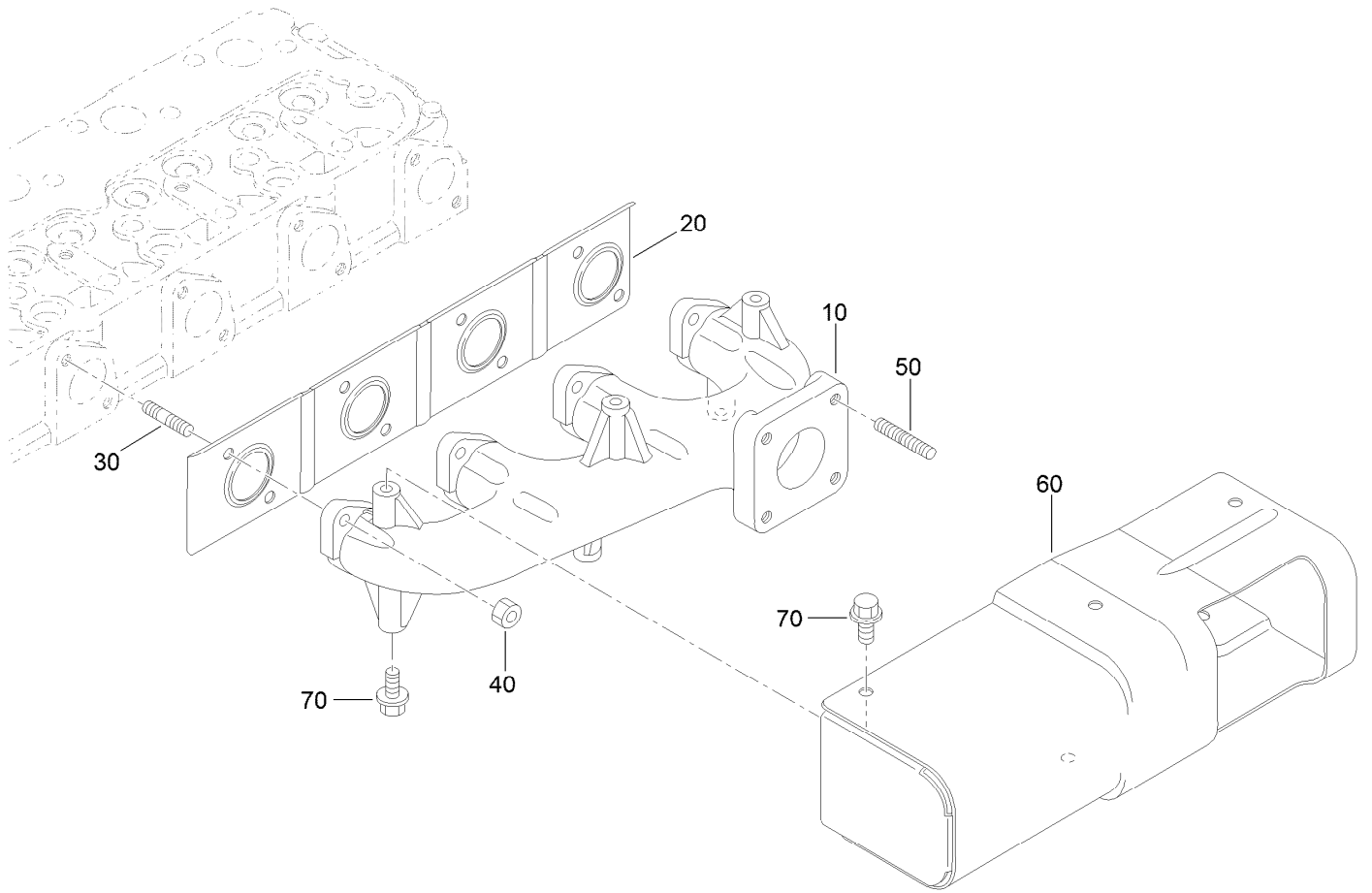
Valve and Rocker Arm Assembly

<i>Ref.</i>	<i>Part Number</i>	<i>Qty.</i>	<i>Description</i>	<i>Ref.</i>	<i>Part Number</i>	<i>Qty.</i>	<i>Description</i>
10	127-0475	4	Valve-Intake	100	98-9505	4	Bracket-Arm, Rocker
20	127-0476	4	Valve-Exhaust	110	98-9506	4	Stud
30	98-9626	8	Spring-Valve	120	131-6563	4	Nut-Flange
40	107-9092	8	Retainer-Spring	140	105-3758	1	Pin-Spring
50	117-7572	8	Collet-Spring, Valve	150	98-9507	2	Washer-Shaft, Rocker Arm
60	99-8385	4	Seal-Stem, Valve	160	110-3832	2	Washer-Plain
65	127-0477	4	Seal-Stem, Valve	170	98-9504	3	Spring-Arm, Rocker
70	98-9497	8	Cap-Valve	190	112-7020	8	Rocker Arm ASM
80	127-0420	1	Shaft-Arm, Rocker	200	98-9502	8	Screw-Adjusting
90	99-8363	2	Bolt-Flange	210	98-9503	8	Nut



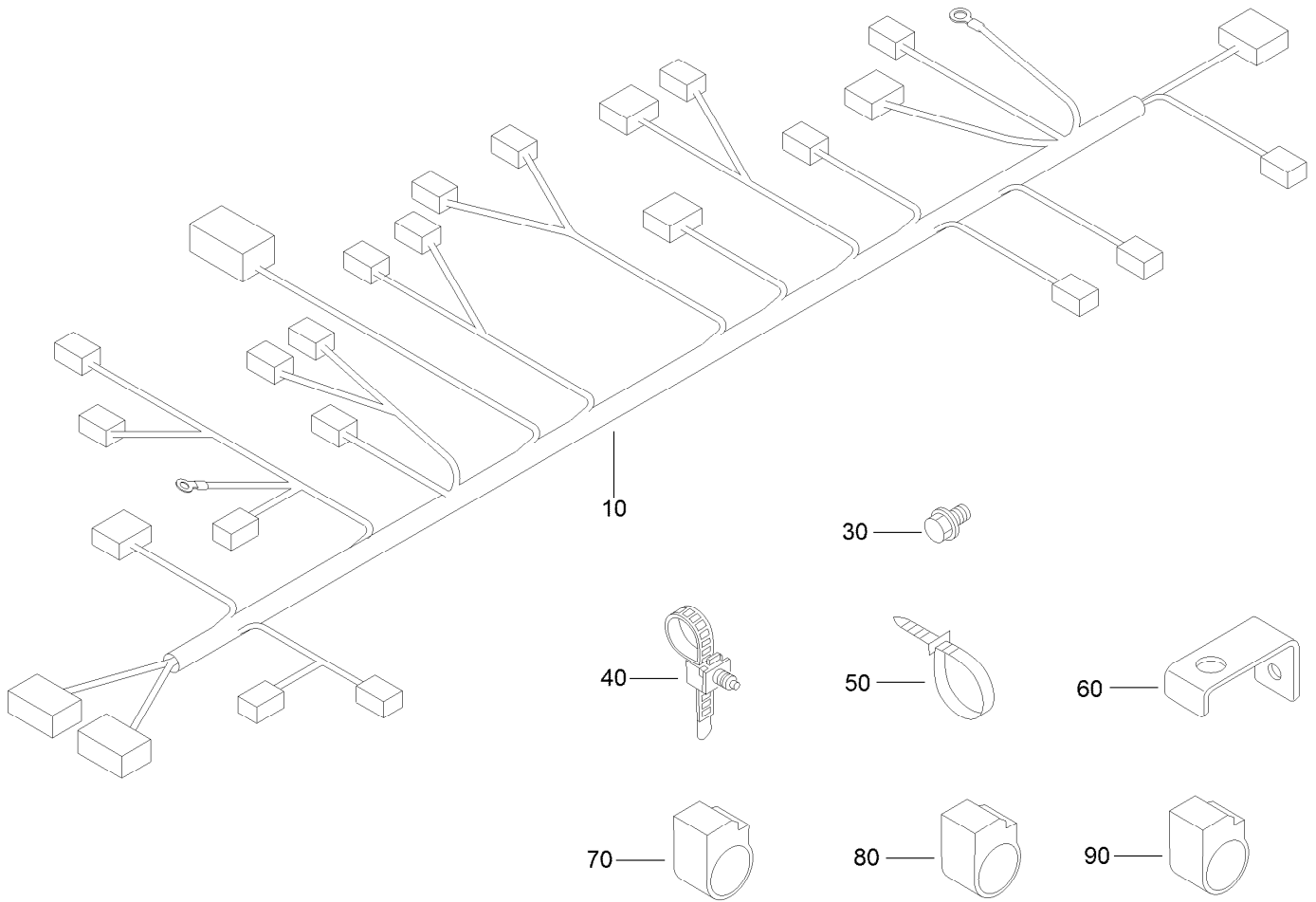
Inlet Manifold Assembly

Ref.	Part Number	Qty.	Description
10	127-0471	1	Manifold-Intake
30	127-0470	1	Joint-Tube, Breather
40	98-7539	1	Cap-Sealing
50	125-9110	1	Sensor (Tmap)
55	125-9112	1	O Ring
60	125-9111	2	Bolt-Flange
70	127-0492	1	Throttle Body ASM
80	127-0493	1	Gasket-Throttle
90	127-0405	1	Bolt-Flange
100	127-0472	1	Gasket-Intake
110	98-9352	6	Bolt
120	125-9092	2	Stud
130	100-2203	2	Nut-Flange
140	127-0496	4	Bracket-Harness
150	100-1774	4	Bolt-Flange



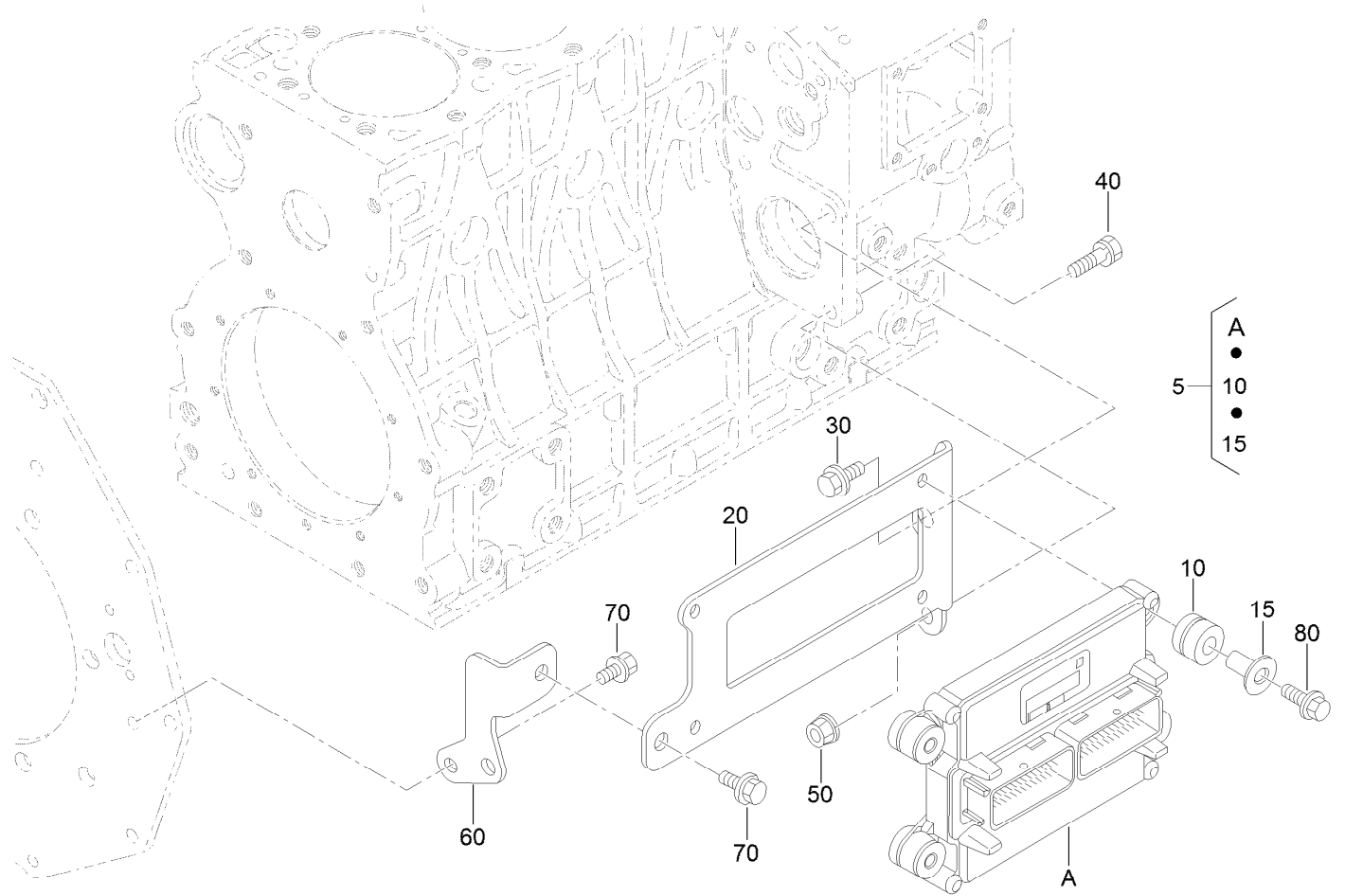
Exhaust Manifold Assembly

<i>Ref.</i>	<i>Part Number</i>	<i>Qty.</i>	<i>Description</i>
10	131-9592	1	Manifold-Exhaust
20	127-0474	1	Gasket-Manifold, Exhaust
30	127-0507	8	Stud
40	98-9665	8	Nut
50	127-0446	4	Stud
60	131-9593	1	Cover-Exhaust
70	99-8363	6	Bolt-Flange



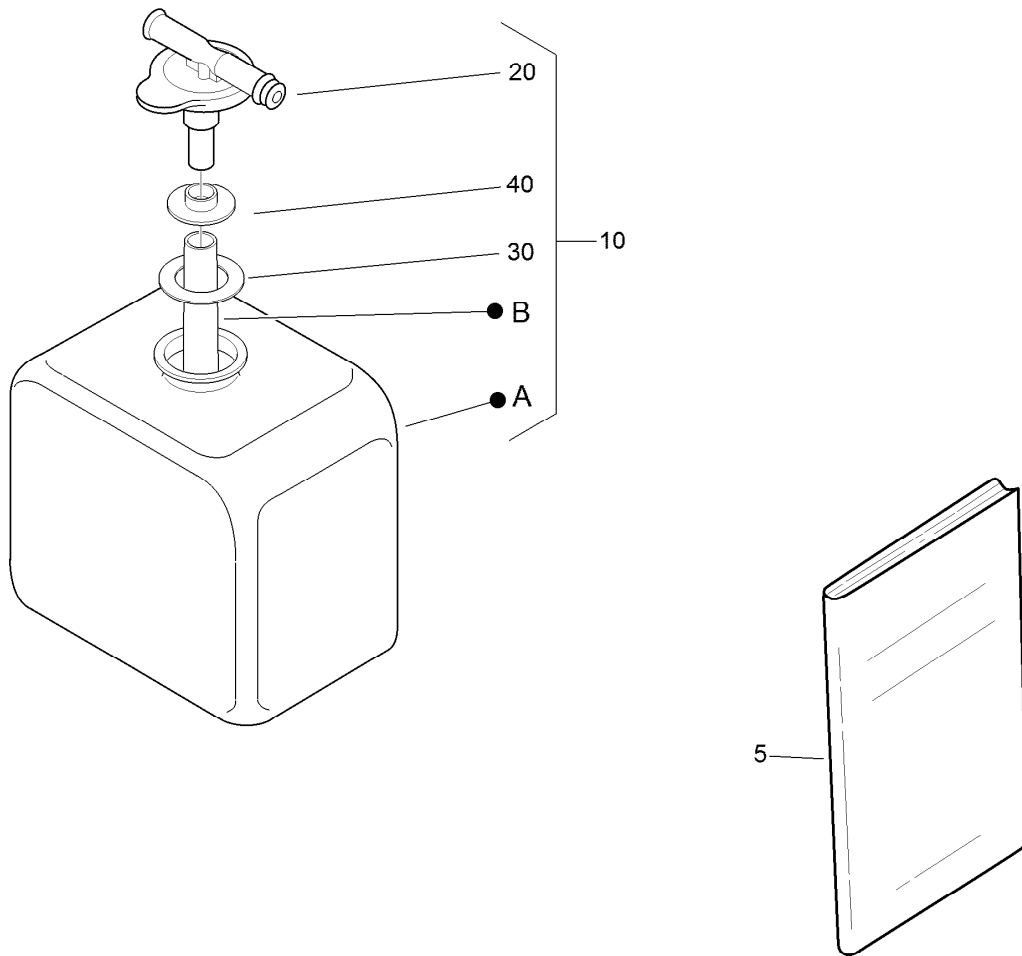
Wire Harness Assembly

<i>Ref.</i>	<i>Part Number</i>	<i>Qty.</i>	<i>Description</i>
10	139-6131	1	Wire Harness ASM
30	115-8504	1	Bolt-Flange
40	127-0515	1	Clamp
50	127-0447	4	Band-Cord
60	127-0497	1	Bracket-Harness
70	127-0514	1	Clamp
80	127-0513	2	Clamp
90	127-0512	1	Clamp



Electronic Control Unit Assembly

Ref.	Part Number	Qty.	Description
5	133-2789	1	Electronic Control Unit ASM
10	127-0501	4	Rubber-Cushion
15	127-0500	4	Spacer (E C U)
20	127-0502	1	Stay-E C M
30	127-0406	1	Bolt-Flange
40	98-7697	1	Bolt
50	112-2492	1	Nut-Flange
60	127-0503	1	Stay-E C M
70	115-8504	2	Bolt-Flange
80	125-9094	4	Bolt-Flange



Miscellaneous Engine Parts

<i>Ref.</i>	<i>Part Number</i>	<i>Qty.</i>	<i>Description</i>
5	136-2287	1	Manual-Owners
10	108-0638	1	Bottle-Overflow
20	105-3754	1	Cap
30	105-3755	1	Gasket
40	105-3756	1	Plate

Attachments and Accessories

For 41394CA Multi Pro 5800-G Turf Sprayer with ExcelaRate Spray System

Product Name	Model/Part
Drift Reduction Boom Shroud Kit	41602
Road Light / Homologation Kit	41628
Hand Spray Wand Kit	41118
Pivoting Hose Reel Kit	41621
Eductor Kit	41622
Tank Rinse Kit.....	41614
Single Nozzle Kit.....	41023
Ultra Sonic Boom Leveling Kit	41219
Ultra Sonic Boom Finishing Kit.....	130-8229
Spark Arrestor	115-2919
Low Flow Kit	130-7258
Beacon Kit	120-8505
License Plate Kit.....	120-8506
Covered Boom Spring Upgrade Kit.....	120-8508
Premium Heavy Duty All Season Gear Lube (Pail)	108-1188
Premium Heavy Duty All Season Gear Lube (Quart)	108-1591
Premium All Purpose Grease (Tube)	108-1190
Premium All Season Hydraulic Fluid (55 Gallon Drum)	108-1177
Premium All Season Hydraulic Fluid (5 Gallon Pail).....	108-1178
Pro-Foam.....	41607
Pro Foam Concentrate (4 x 1 Gallon)	41157
Wheel And Tire Asm	127-1100
Tire	119-6021
Lance Suction Assembly	127-9826
Right Hand Step Kit	130-8230
Left Hand Step Kit.....	130-8231
Rear Work Light Kit.....	41010
Pump Head Kit.....	133-2898
Pivoting Hose Reel Finishing Kit, 2014 and Before Multi-Pro 5800 Turf Sprayer	131-3291
Geolink Lte Precision Spray System.....	41633
Geolink - GSM	41634
TNL Reference Antenna Kit, MR-2	41635
Autoguidance Kit - Multi Pro 5800.....	41636
Geolink Finish Kit, Mp 5800	41675
AutoSteer Finish Kit, Serial Number 316000001 and After Multi Pro 5800 Turf Sprayer with GeoLink	138-6246
Nozzalert - Mp Nozzle Flow System	41166
X25 Monitor Kit	41637
CL-55 CDMA Modem Kit	41638
Clutch Assembly, Right.....	41639
Premium Engine Oil 10w30 (55 Gallon Drum)	121-6392
Premium Engine Oil 10w30 (5 Gallon Pail)	121-6393
EU Compliance Kit.....	41608
CDMA RTK Correction Modem Kit, GeoLink Precision Spray System	41624
GSM RTK Correction Modem Kit, GeoLink Precision Spray System.....	41625
GeoLink Reference Antenna Kit	41626

Attachments and Accessories (continued)

X25 GeoLink Precision Spray System Kit, Serial Number 315000001 and After Multi Pro 1750 or 5800 Turf Sprayer 41630

GeoLink Spray System Finishing Kit, 2016 and After Multi Pro 5800 Turf Sprayer 41632

Notes:

Notes:



Count on it.