



Wheel Horse[®] Lawn Tractor

For 32" and 38" Mowers

Set-Up
Instructions

Loose Parts

Note: Use the chart below to verify all parts have been shipped.

DESCRIPTION	QTY.	USE
Bolt 1/4-20 x 3/4"	2	Install battery cables.
Wing nut	2	
Spring Hook	1	Used to install lift assist spring.
Key	2	Use in ignition and Key Choice™ switches
Washout Port Adapter	1	Use when washing underside of mower
Operator's Manual	1	Read and watch before operating tractor.
Engine Operator's Manual	1	
Safety Booklet	1	
Safety Video	1	
Registration Card	1	Fill out and mail the card.

PROTOTYPE

Check Tire Pressure

Check front and rear tires for proper inflation. Refer to Operator's Manual Maintenance section under Tire Pressure for recommended inflation pressure.

Activate the Battery

1. Remove the battery and battery box from the tractor: refer to Operator's Manual, Removing the Battery.

IMPORTANT: Be careful not to damage the long vent tube when removing the battery box.

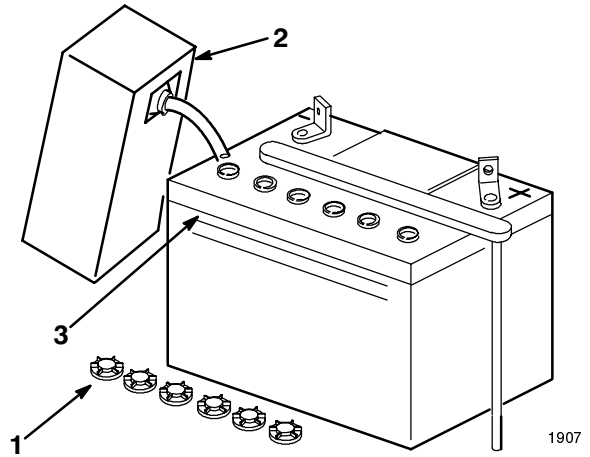


Figure 1

1. Filler caps
2. Electrolyte
3. Upper line

DANGER

POTENTIAL HAZARD

- Battery electrolyte contains sulfuric acid which is a deadly poison and it causes severe burns.

WHAT CAN HAPPEN

- If you carelessly drink electrolyte you could die or if it gets onto your skin you will be burned.

HOW TO AVOID THE HAZARD

- Do not drink electrolyte and avoid contact with skin, eyes or clothing. Wear safety glasses to shield your eyes and rubber gloves to protect your hands.
- Fill the battery where clean water is always available for flushing the skin.
- Follow all instructions and comply with all safety messages on the electrolyte container.

2. Unscrew six filler caps from the battery. Slowly pour electrolyte into each cell until the level is up to the "UPPER" line on the battery case (Fig. 1).

3. Leave the filler caps off and connect a 3 to 4 amp battery charger to the battery posts (Fig. 2). Charge the battery at a rate of 4 amperes or less for 4 hours (12 volts).

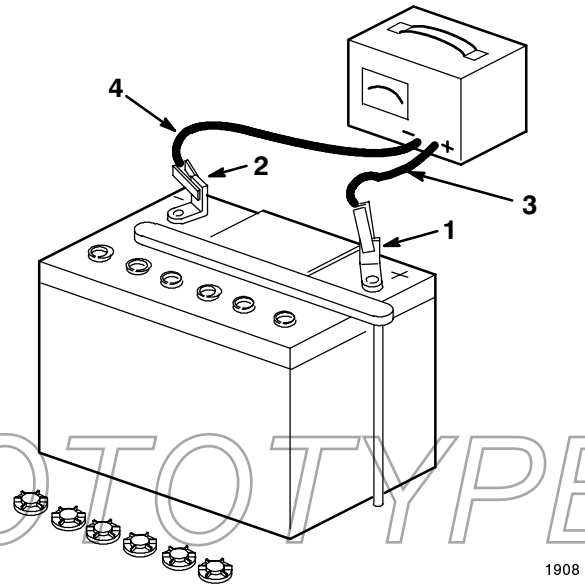


Figure 2

1. Positive post
2. Negative post
3. Charger red (+) wire
4. Charger black (-) wire

! WARNING**POTENTIAL HAZARD**

- Charging battery produces gasses.

WHAT CAN HAPPEN

- Battery gasses can explode.

HOW TO AVOID THE HAZARD

- Keep cigarettes, sparks and flames away from battery.

4. When the battery is fully charged, disconnect the charger from the electrical outlet and from the negative and positive battery posts (Fig. 2).
5. Slowly pour electrolyte into each cell until the level is once again up to the "UPPER" line on the battery case (Fig. 1).
6. Install the battery and battery box in the tractor: refer to the Operator's Manual, Installing the Battery.

Check Oil Level

The tractor is shipped from the factory with oil in the engine crankcase; however, it may be necessary to add oil. Refer to the Operator's Manual, Engine Oil Specifications, for oil type, viscosity, and crankcase capacity. Add only enough oil to raise the level to the "FULL" mark on the dipstick.

**Mower Discharge Chute
(38" Deck only)**

Remove roll pin from discharge chute spring and discard. This is for shipment only. Make sure spring returns discharge chute to the full down position.

Check Mower Adjustment

The mower deck was leveled at the factory. If the mower is not cutting level, adjust side-to-side level and front-to-rear blade slope. See the Operator's Manual for proper procedure.

Lubrication

Make sure all of the necessary points on the tractor are lubricated; refer to Greasing and Lubrication in the Operator's Manual.

**Insert Keys into Ignition and
Key Choice™ Switches**

The Key Choice switch is located on the seat bracket in front of and below the seat.

Check Safety System

Refer to the Operator's Manual, Checking Safety System.

PROTOTYPE

Purge Hydro Transaxle (Hydro Drive Tractors Only)

During handling and shipping air can be introduced into the hydro transaxle. To achieve proper performance all trapped air must be removed.

1. Place tractor on a flat level surface.
2. Place the drive control in the “Push” position (Fig. 3).

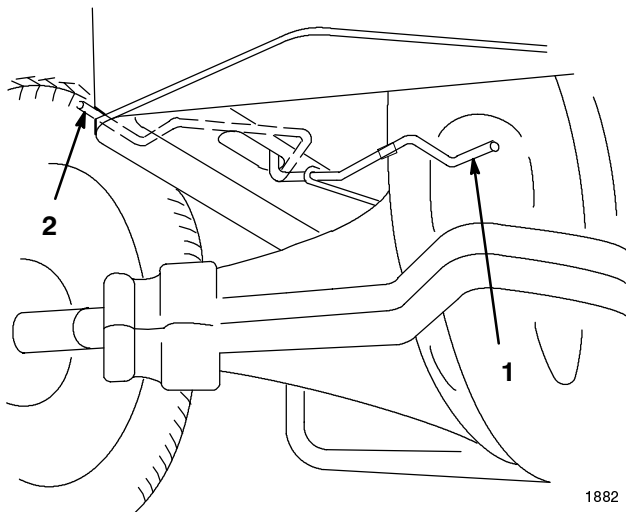


Figure 3

1. Operate position 2. Push position

3. Run engine at a low idle and move traction control pedal forward for five (5) seconds then reverse for five (5) seconds. Repeat three (3) times.
4. Place the drive control in the “Operate” position (Fig. 3). Drive the tractor forward then reverse approximately five (5) feet. Repeat three (3) times.

Check Hydro Neutral Position (Hydro Drive Tractors Only)

Ensure the neutral position is set properly. Adjustment is required if the tractor creeps without the traction control pedal being depressed.

1. Run engine at a low idle and move traction control pedal forward, then release. Move traction control pedal reverse, then release. If the tractor creeps adjust as follows:
2. With the engine off, raise the rear wheels off the ground and support with jackstands.
3. Loosen locknut securing adjustment (Fig. 4).
4. Move adjustment stud up or down until creep is minimized (Fig. 4). There may still be some wheel rotation with wheels off the ground.
5. Tighten the locknut (Fig. 4). Move the traction control pedal forward and reverse and allow it to center. Verify that there is no creep with the wheels on the ground.

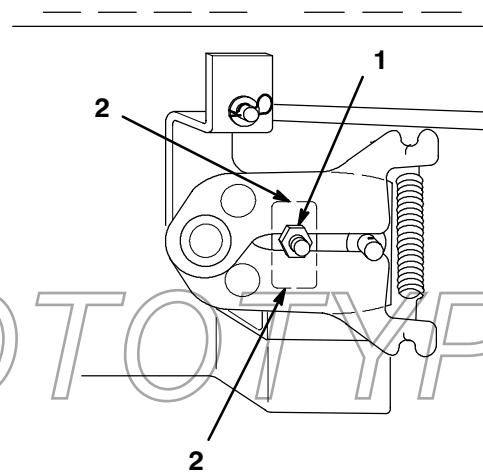


Figure 4

1. Locknut
2. Stop

Check Traction Control Pedal (Hydro Drive Tractors Only)

After adjusting the hydro neutral position, it is necessary to check the traction control pedal. Shut the engine off. Press the control pedal full forward and full reverse. The Transaxle linkage must contact the stop(s) before the control pedal hits the footrest pad (Fig. 4). If contact is made with the foot pad, before hitting stop(s) on transaxle, in either forward or reverse directions, adjustment is required.

1. Loosen the capscrews below the right footrest. Slide the pedal in the slots away from the direction that made contact with the footrest (Fig. 5).
2. Tighten capscrews and recheck traction control pedal for contact with the stop(s) on the transaxle and footrest.

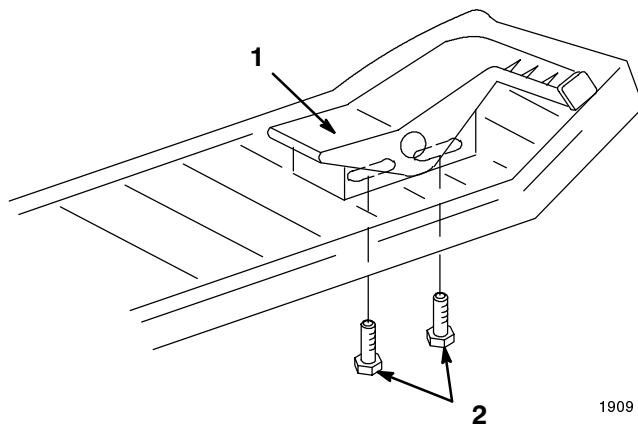


Figure 5

1. Traction control pedal
2. Adjusting capscrews

Check Shift Cable Adjustment (Gear Drive Tractors Only)

Cable adjustment is required if the ground speed selector lever does not move firmly toward the numbers on the shift plate when released or it is difficult to shift between gears on-the-go (Fig. 6).

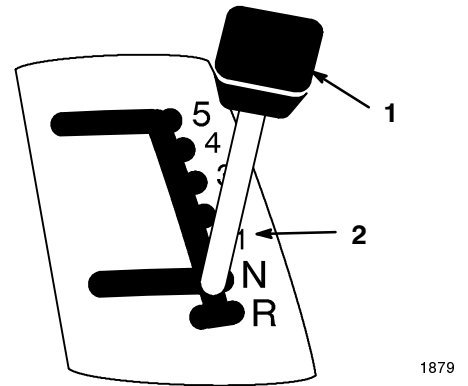


Figure 6

1. Gear select lever
2. Numbers

1. If either of the above conditions exist, turn the engine off and check that the belt guides are positioned no more than 1/8 inch away from the engine and transmission pulleys.
2. Check the cable tension. Cable should be taught and have 1/2 inch movement with slight pressure applied (Fig. 7).
3. Move gear select lever and note gap between lever and edge of gate. There should be about 1/4 inch of free play before cable is taught.
4. To adjust the cable tension loosen the front cable guide, located on tractor brace above deck pulley. Slide guide sideways as required for proper tension (Fig. 7).

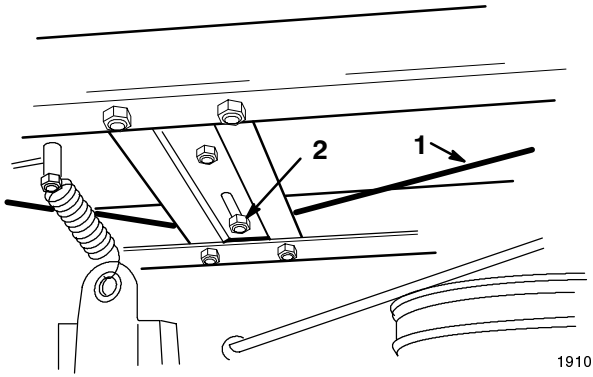


Figure 7

1. Cable

2. Cable guide

Test Drive the Tractor

Make sure all electrical and mechanical systems are operating properly. See Operator's Manual for proper control function.

PROTOTYPE

PROTOTYPE



PROTOTYPE