



312-8 Garden Tractor

Wheel Horse® Classic Garden Tractor

Model No. 73429 - 200000001 & Up

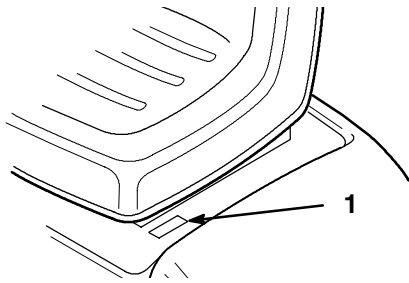
Operator's Manual

Introduction

Thank you for purchasing a Toro product.

All of us at Toro want you to be completely satisfied with your new product, so feel free to contact your local Authorized Service Dealer for help with service, genuine replacement parts, or other information you may require.

Whenever you contact your Authorized Service Dealer or the factory, always know the model and serial numbers of your product. These numbers will help the Service Dealer or Service Representative provide exact information about your specific product. You will find the model and serial number plate located in a unique place on the product as shown below.



1. Model and Serial Number Plate

For your convenience, write the product model and serial numbers in the space below.

Model No. _____
Serial No. _____

Read this manual carefully to learn how to operate and maintain your product correctly. Reading this manual will help you and others avoid personal injury and damage to the product. Although we design, produce and market safe, state-of-the-art products, you are responsible for using the product properly and safely. You are also responsible for training persons, who you allow to use the product, about safe operation.

The warning system in this manual identifies potential hazards and has special safety messages that help you and others avoid personal injury, even death. DANGER, WARNING and CAUTION are signal words used to identify the level of hazard. However, regardless of the hazard, be extremely careful.



DANGER signals an extreme hazard that will cause serious injury or death if the recommended precautions are not followed.

WARNING signals a hazard that may cause serious injury or death if the recommended precautions are not followed.

CAUTION signals a hazard that may cause minor or moderate injury if the recommended precautions are not followed.

Two other words are also used to highlight information. "Important" calls attention to special mechanical information and "Note" emphasizes general information worthy of special attention.

The left and right side of the machine is determined by sitting on the seat in the normal operator's position.

	WARNING:	
<p>The engine exhaust from this product contains chemicals known to the State of California to cause cancer, birth defects, or other reproductive harm.</p>		

IMPORTANT: This engine is not equipped with a spark arrester muffler. It is a violation of California Public Resource Code Section 4442 to use or operate this engine on any forest-covered, brush-covered or grass-covered land. Other states or federal areas may have similar laws.


Contents

	Page		Page
Safe Operating Practices	2	Adjusting Dial-A-Height	17
Slope Chart	5	Positioning the Seat	17
Safety and Instruction Decals	7	Lights	18
Gasoline and Oil	8	Installing PTO Belt	18
Recommended Gasoline	8	Maintenance	19
Stabilizer/Conditioner	9	Service Interval Chart	19
Filling the Fuel Tank	9	Air Cleaner	20
Check Engine Oil Level	9	Engine Oil	22
Operation	10	Spark Plug	24
Think Safety First	10	Greasing and Lubrication	25
Controls	10	Tire Pressure	26
Key Choice Switch	10	Cleaning Engine Cooling Systems	26
Parking Brake	10	Brake	27
Starting and Stopping the Engine	11	PTO (Power Take Off) Clutch and Brake .	28
Operating the Power Take Off (PTO)	12	Front Wheel Toe-In	29
Instruments	12	Fuel Tank	30
Indicator Light	12	Transaxle Fluid	31
The Safety Interlock System	13	Headlights	32
Operating-in-Reverse	13	Battery	33
Driving Forward or Backward	16	Fuse	35
Selecting Ground Speeds	16	Wiring Diagram	36
Stopping the Machine	16	Cleaning and Storage	37
Attachment Lift Lever	17	Troubleshooting	38
		Warranty	Back Cover

The enclosed Engine Owner's Manual is supplied for information regarding The U.S. Environmental Protection Agency (EPA) and the California Emission Control Regulation of emission systems, maintenance and warranty.

Keep this engine Owner's Manual with your unit. Should this engine Owner's Manual become damaged or illegible, replace immediately. Replacements may be ordered through the engine manufacturer.

Safety

This machine meets or exceeds the B71.1-1996 specifications of the American National Standards Institute, in effect at the time of production. However, improper use or maintenance by the operator or owner can result in injury. To reduce the potential for injury, comply with these safety instructions and always pay attention to the safety alert  symbol, which means CAUTION, WARNING, or DANGER—“personal safety instruction.” Failure to comply with the instruction may result in personal injury or death.

Safe Operating Practices

This product is capable of amputating hands and feet and throwing objects. Always follow all safety instructions to avoid serious injury or death.

WARNING

POTENTIAL HAZARD

- Engine exhaust contains carbon monoxide, which is an odorless, deadly poison.

WHAT CAN HAPPEN

- Carbon monoxide can kill you and is also known to the State of California to cause birth defects.

HOW TO AVOID THE HAZARD

- Do not run engine indoors or in an enclosed area.

General Operation

1. Read, understand, and follow all instructions in the operator’s manual and on the machine before starting.
2. Allow only responsible adults who are familiar with the instructions to operate the machine.
3. Clear the area of objects such as rocks, toys, wire, etc., which could be picked up and thrown by the blade.
4. Be sure the area is clear of other people before mowing. Stop the machine if anyone enters the area.
5. Never carry passengers.
6. Do not mow in reverse unless absolutely necessary. Always look down and behind before and while backing.
7. Be aware of the mower discharge direction and do not point it at anyone. Do not operate the mower without either the entire grass catcher or the guard in place.
8. Slow down before turning. Sharp turns on any terrain may cause loss of control.
9. Never leave a running machine unattended. Always turn off blades, set parking brake, stop engine, and remove key before dismounting.
10. Turn off blades when not mowing.
11. Keep hands, feet, hair and loose clothing away from attachment discharge area, underside of mower and any moving parts while engine is running.
12. Stop the engine before removing the grass catcher or unclogging the chute.
13. Mow only in daylight or good artificial light.

14. Do not operate the machine while under the influence of alcohol or drugs.
15. Watch for traffic when operating near or crossing roadways.
16. Use extra care when loading or unloading the machine into a trailer or truck.
17. Do not touch equipment or attachment parts which may be hot from operation. Allow to cool before attempting to maintain, adjust or service.

Slope Operation

Slopes are a major factor related to loss-of-control and tip-over accidents, which can result in severe injury or death. All slopes require extra caution. If you cannot back up the slope or if you feel uneasy on it, do not mow it.

DO

- Mow up and down slopes greater than 5°, not across.
- Mow downhill only on slopes above 10°, never mow uphill. If a steep slope must be ascended, back up the hill, and drive forward down the hill, keeping the machine in gear.
- Remove obstacles such as rocks, tree limbs, etc. from the mowing area. Watch for holes, ruts or bumps, as uneven terrain could overturn the machine. Tall grass can hide obstacles.
- Use slow speed. Choose a low gear so that you will not have to stop or shift while on the slope.
- Follow the manufacturer's recommendations for wheel weight or counterweights to improve stability.
- Use extra care with grass catchers or other attachments. These can change the stability of the machine.

- Keep all movement on slopes slow and gradual. Do not make sudden changes in speed or direction.
- Avoid starting or stopping on a slope. If tires lose traction, disengage the blades and proceed slowly straight down the slope.

DO NOT

- Do not operate machine on hillsides or slopes exceeding 15°.
- Avoid turning on slopes. If you must turn, turn slowly and gradually downhill, if possible.
- Do not mow near drop-offs, ditches, or embankments. The machine could suddenly turn over if a wheel goes over the edge of a cliff or ditch, or if an edge caves in.
- Do not mow on wet grass. Reduced traction could cause sliding.
- Do not try to stabilize the machine by putting your foot on the ground.
- Do not use a grass catcher on steep slopes. Heavy grass bags could cause loss of control or overturn the machine.

Children

Tragic accidents can occur if the operator is not alert to the presence of children. Children are often attracted to the machine and the mowing activity. Never assume that children will remain where you last saw them. The following requirements must be followed to prevent injury to children.

1. Keep children out of the mowing area and under the watchful care of another responsible adult.
2. Be alert and turn the machine off if children enter the area.
3. Before and while backing, look behind and down for small children.
4. Never carry children. They may fall off and be seriously injured or interfere with safe machine operation.
5. Never allow children to operate the machine.
6. Use extra care when approaching blind corners, shrubs, trees, the end of a fence or other objects that may obscure vision.

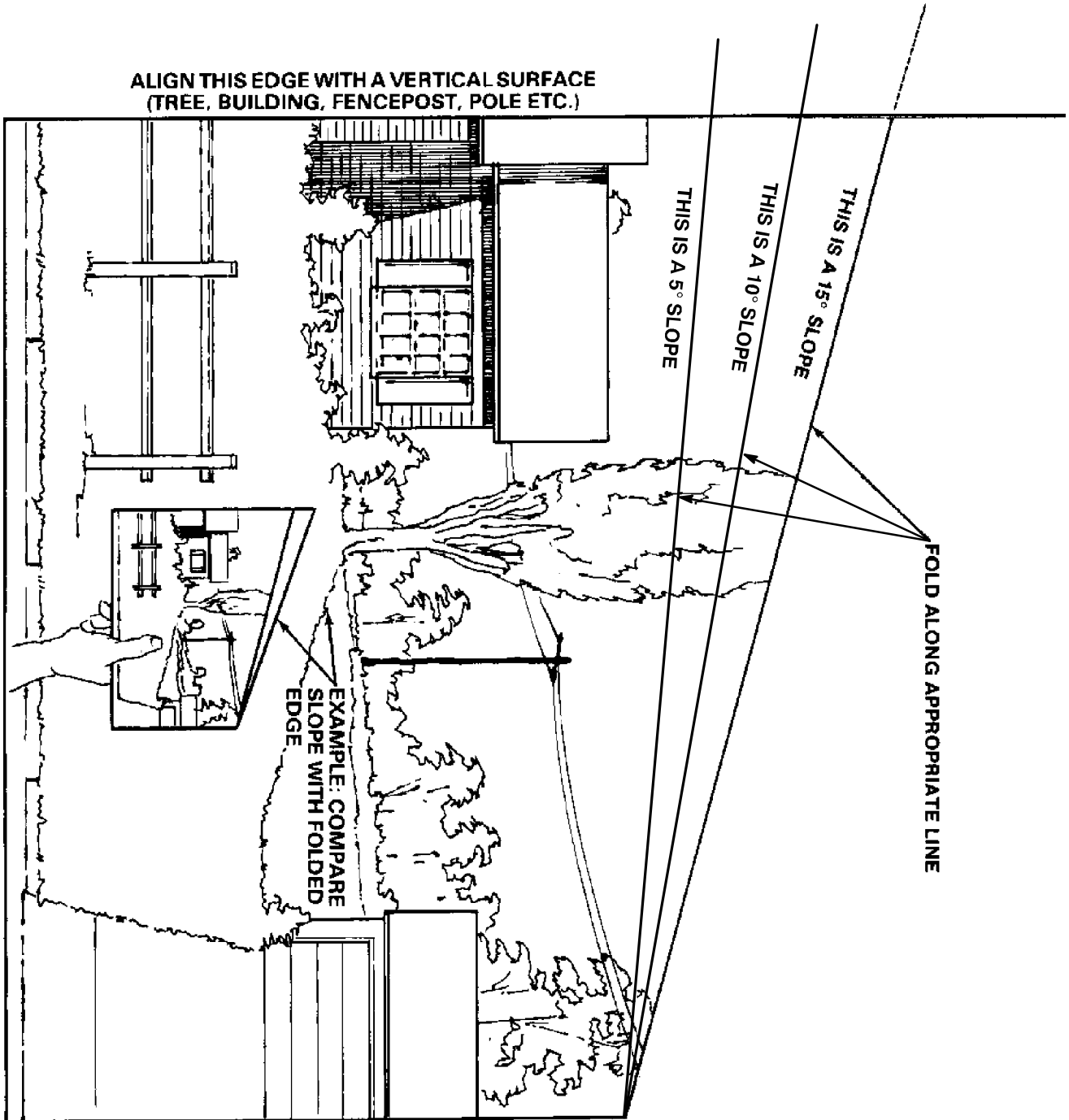
Service

1. Stop the engine and disconnect spark plug wire(s) before performing any service, repairs, maintenance or adjustments.
2. Use extra care when handling gasoline and other fuels. They are flammable and vapors are explosive.
 - A. Use only an approved container.
 - B. Never remove the gas cap or add fuel when the engine is running. Allow the engine to cool before refueling. Do not smoke.
 - C. Never refuel the machine indoors.
 - D. Never store the machine or fuel container inside where there is an open flame, such as near a water heater or furnace.
3. Never run a machine inside a closed area.

4. Keep nuts and bolts tight, especially the blade attachment bolts. Keep equipment in good condition.
5. Never tamper with safety devices. Check safety systems for proper operation before each use.
6. Keep the machine free of grass, leaves, or other debris build-up. Clean up oil or fuel spillage. Allow the machine to cool before storing.
7. Stop and inspect the equipment if you strike an object. Repair, if necessary, before restarting.
8. Grass catcher components are subject to wear, damage and deterioration, which could expose moving parts or allow objects to be thrown. Frequently check components and replace with manufacturer's recommended parts, when necessary.
9. Mower blades are sharp and can cut. Wrap the blade(s) or wear gloves, and use extra caution when servicing them.
10. Use only genuine Toro replacement parts to ensure that original standards are maintained.
11. Check brake operation frequently. Adjust and service as required.
12. Battery acid is poisonous and can cause burns. Avoid contact with skin, eyes and clothing. Protect your face, eyes and clothing when working with a battery.
13. Battery gases can explode. Keep cigarettes, sparks and flames away from battery.

Slope Chart

Read all safety instructions on pages 2-4.

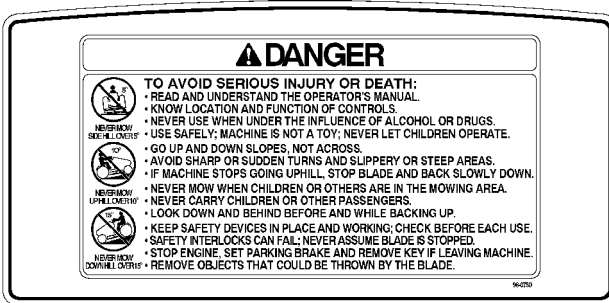


Safety and Instruction Decals

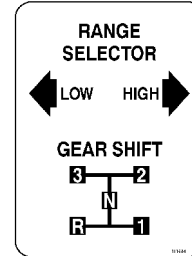


Safety decals and instructions are easily visible to the operator and are located near any area of potential danger. Replace any decal that is damaged or lost.

**ON HOOD ABOVE STEERING WHEEL
(Part No. 98-0750)**



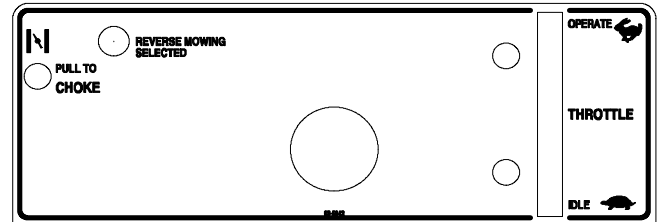
**ON RIGHT SIDE OF SHIFT PLATE
NEXT TO SHIFT CONTROL
(Part No. 111534)**



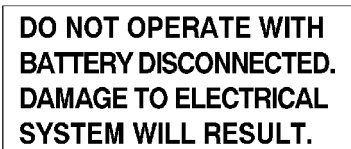
**ON SHIFT PLATE UNDER
STEERING WHEEL
(Part No. 92-8946)**



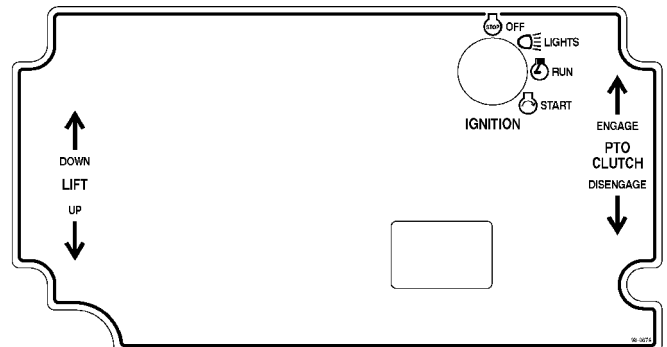
**UNDER STEERING WHEEL ON
CONTROL CONSOLE
(Part No. 99-5342)**



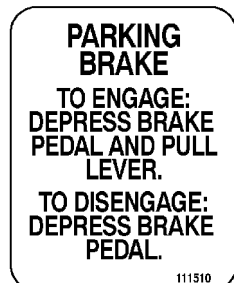
**ON RIGHT INSIDE HOODSTAND
NEXT TO BATTERY
(Part No. 111926)**



**UNDER STEERING WHEEL ON
GAUGE PLATE
(Part No. 98-0674)**



**ON LEFT SIDE OF SHIFT PLATE NEXT
TO PARKING BRAKE CONTROL
(Part No. 111510)**



**ON SEAT BRACKET
(Part No. 99-5339)**



**ON SEAT BRACKET
(Part No. 99-2985)**



Gasoline and Oil

Recommended Gasoline

Use UNLEADED Regular Gasoline suitable for automotive use (85 pump octane minimum). Leaded regular gasoline may be used if unleaded regular is not available.

IMPORTANT: Never use methanol, gasoline containing methanol, or gasohol containing more than 10% ethanol because the fuel system could be damaged. Do not mix oil with gasoline.

DANGER

POTENTIAL HAZARD

- In certain conditions gasoline is extremely flammable and highly explosive.

WHAT CAN HAPPEN

- A fire or explosion from gasoline can burn you, others, and cause property damage.

HOW TO AVOID THE HAZARD

- Use a funnel and fill the fuel tank outdoors, in an open area, when the engine is cold. Wipe up any gasoline that spills.
- Do not fill the fuel tank completely full. Add gasoline to the fuel tank until the level is 1/4" to 1/2" (6 mm to 13 mm) below the bottom of the filler neck. This empty space in the tank allows gasoline to expand.
- Never smoke when handling gasoline, and stay away from an open flame or where gasoline fumes may be ignited by a spark.
- Store gasoline in an approved container and keep it out of the reach of children. Never buy more than a 30-day supply of gasoline.

DANGER

POTENTIAL HAZARD

- In certain conditions gasoline is extremely flammable and highly explosive.

WHAT CAN HAPPEN

- A fire or explosion from gasoline can burn you, others, and cause property damage.

HOW TO AVOID THE HAZARD

- Always place gasoline containers on the ground away from your vehicle before filling.
- Do not fill gasoline containers inside a vehicle or on a truck or trailer bed because interior carpets or plastic truck bed liners may insulate the container and slow the loss of any static charge.
- When practical, remove gas-powered equipment from the truck or trailer and refuel the equipment with its wheels on the ground.
- If this is not possible, then refuel such equipment on a truck or trailer from a portable container, rather than from a gasoline dispenser nozzle.
- If a gasoline dispenser nozzle must be used, keep the nozzle in contact with the rim of the fuel tank or container opening at all times until fueling is complete.

Stabilizer/Conditioner

Add the correct amount of gas stabilizer/conditioner to the gas. Using a stabilizer/conditioner in the machine:

- Keeps gasoline fresh during storage of 90 days or less. For longer storage it is recommended that the fuel tank be drained.
- Cleans the engine while it runs
- Eliminates gum-like buildup in the fuel system, which causes hard starting

IMPORTANT: Never use fuel additives containing methanol or ethanol.

Filling the Fuel Tank

1. Shut the engine off and set the parking brake.
2. Clean around each fuel tank cap and remove the cap. Add unleaded regular gasoline to both fuel tanks, until the level is 1/4 to 1/2 inch (6 mm to 13 mm) below the bottom of the filler neck. This space in the tank allows gasoline to expand. Do not fill the fuel tanks completely full.
3. Install fuel tank caps securely. Wipe up any gasoline that may have spilled.
4. Fuel gauge is located in right side tank.

Check Engine Oil Level

Before you start the engine and use the machine, check the oil level in the engine crankcase; refer to Checking Oil Level, page 22.

Operation

Think Safety First

Please carefully read all the safety instructions and symbols in the safety section. Knowing this information could help you, your family, pets or bystanders avoid injury.

Controls

Become familiar with all the controls (Fig. 1) before you start the engine and operate the machine.

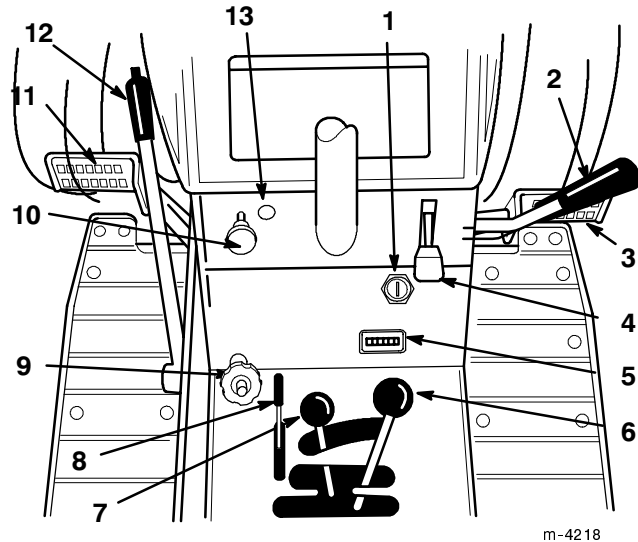


Figure 1

- | | |
|--------------------------|---------------------------|
| 1. Ignition/light switch | 8. Parking brake lever |
| 2. Power take off (PTO) | 9. Dial-A-Height knob |
| 3. Brake pedal | 10. Choke lever |
| 4. Throttle lever | 11. Clutch pedal |
| 5. Hour meter | 12. Attachment lift lever |
| 6. Gear shift | 13. Indicator light |
| 7. Range selector | |

Key Choice Switch

A turn and release switch used for deactivating the “Operating-in-Reverse” interlock feature. Located on the seat bracket on the right side just below the seat (Fig. 2)

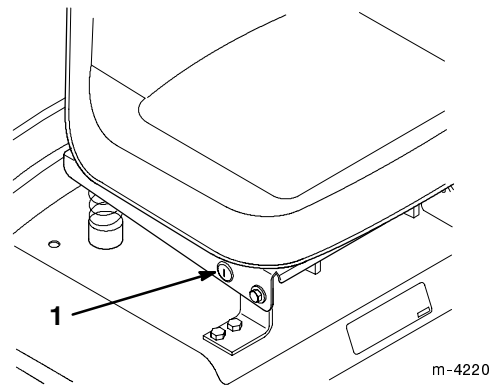


Figure 2

1. “Key Choice” switch

Parking Brake

Always set the parking brake when you stop the machine or leave it unattended.

While the ignition key is in the “RUN” position and the Parking Brake is engaged, the light, in the Indicator Module, will be lit.

Setting the Parking Brake

1. Push the brake pedal (Fig. 3) down and hold it in the depressed position.
2. Move the parking brake lever (Fig. 3) back and gradually take your foot off the brake pedal. The brake pedal should stay in the depressed (locked) position.

Releasing the Parking Brake

1. Push down on the brake pedal (Fig. 3). The parking brake lever should release.
2. Gradually release the brake pedal.

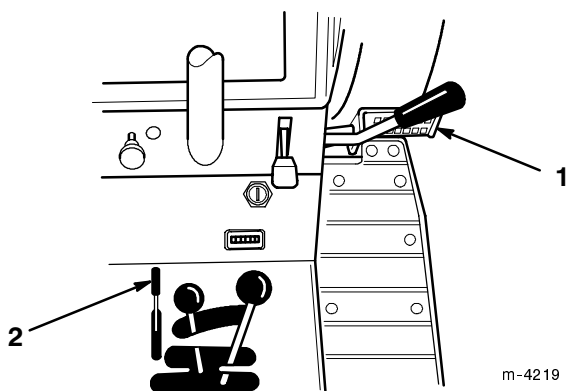


Figure 3

1. Brake pedal
2. Parking brake lever

Starting and Stopping the Engine

Starting

1. Sit down on the seat.
2. Set the parking brake; refer to Setting the Parking Brake, page 10.
3. Move the PTO (power take off) to disengage (Fig. 4).
4. Move the gear shift lever to “N” neutral; refer to Selecting Ground Speeds, page 16.
5. Move the choke lever to “ON” (Fig. 4).

Note: An engine that has been running and is warm may not require step 5.

6. Move throttle lever to “FAST” (Fig. 5).
7. Depress the clutch.

8. Turn the ignition key clockwise and hold it in the “START” position (Fig. 7). When the engine starts, release the key.

IMPORTANT: If the engine does not start after 30 seconds of continuous cranking, turn the ignition key to “OFF” and let the starter motor cool; refer to Troubleshooting, page 38.

9. After the engine starts, move the choke lever to “OFF” (Fig. 5). If the engine stalls or hesitates, move the choke lever back to “ON” for a few seconds. Then move the throttle lever to desired setting. Repeat this as required.

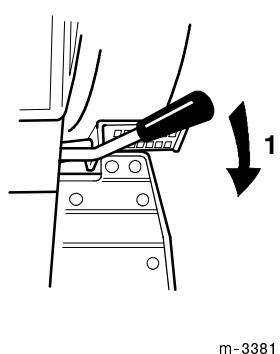


Figure 4

1. PTO—Disengaged

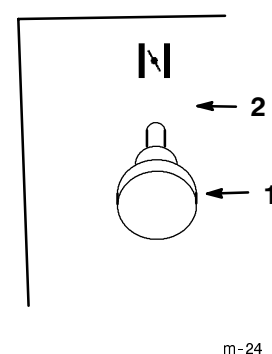


Figure 5

1. Choke-On
2. Choke-Off

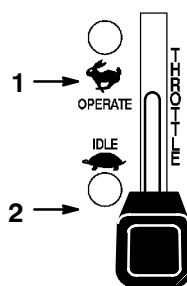


Figure 6

1. Fast
2. Slow

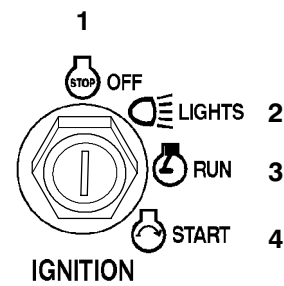


Figure 7

1. Off
2. Lights
3. Run
4. Start

Stopping

1. Move the throttle lever to “SLOW” (Fig. 6).
2. Turn the ignition key to “OFF” (Fig. 7).

Note: If the engine has been working hard or is hot, let it idle for a minute before turning the ignition key “OFF.” This helps cool the engine before it is stopped. In an emergency, the engine may be stopped by turning the ignition key to “OFF.”

Operating the Power Take Off (PTO)

The power take off (PTO) engages and disengages power to the attachment drive clutch.

Engaging the Power Take Off (PTO)

1. Depress the clutch and brake pedals to stop the machine.
2. Push the power take off (PTO) lever forward to engage (Fig. 8).

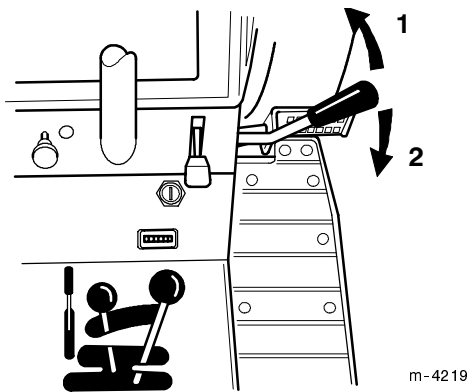


Figure 8

1. Engage
2. Disengage

Disengaging the Power Take Off (PTO)

1. Depress the clutch and brake pedals to stop the machine.
2. Pull the power take off (PTO) lever back to disengage (Fig. 8).

Instruments

The gauges show conditions that need to be monitored during tractor operation. Read them to check operation immediately after starting the engine and regularly during use.

Hour Meter

The hour meter records the number of hours the engine has operated (Fig. 9). It is turned on when the ignition switch is in the “RUN” position. Use these times for scheduling regular maintenance.

Indicator Light

Operating-in-Reverse

The “reverse mowing selected” light (Fig. 9) will illuminate whenever the key choice switch is used to deactivate the operating-in-reverse interlock. It is a reminder that the interlock system is deactivated. The light goes out whenever the power take off (PTO) is disengaged or the engine is shut off.

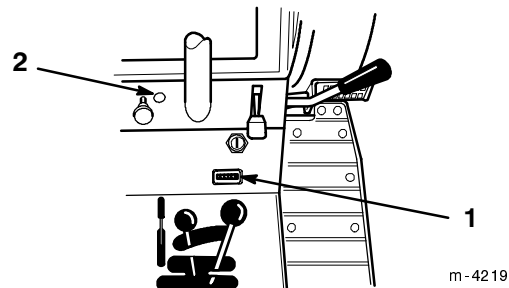


Figure 9

1. Hour meter
2. Indicator light

The Safety Interlock System

Understanding the Safety Interlock System

The safety interlock system is designed to prevent the engine from starting unless:

- You are sitting on the seat
- The gear shift lever is in neutral
- The power take off (PTO) is disengaged

The safety interlock system is designed to stop the engine if:

- You rise from the seat when the power take off (PTO) is engaged
- You rise from the seat when the gear shift lever is not in neutral
- The parking break is engaged and the gear shift lever is not in neutral
- You shift into reverse with the power take off (PTO) engaged and the operating-in-reverse interlock not deactivated.

Operating-in-Reverse


An interlock feature is provided that prevents the Power Take Off (PTO) from operating while the tractor is traveling in reverse. If the unit is shifted into reverse while the mower blade or other PTO driven attachment is engaged, the engine will stop.

Do not mow while backing up unless it is absolutely necessary. If you need to mow while in reverse gear or use other PTO driven attachments (such as a snowthrower or tiller), this operating-in-reverse interlock feature may be temporarily deactivated.

Before deactivating this feature, be sure there are no children present on or near the property where you are using the tractor, and that none are likely to appear while you are mowing or operating an attachment. Be extra observant after you have chosen to deactivate the interlock feature because the sound of the tractor's engine might prevent you from being aware that a child or a bystander has entered the area where you are operating the tractor.

If you are certain that you can safely mow in reverse or operate an attachment, deactivate the operating-in-reverse interlock feature by turning the "Key Choice" switch (Fig. 10), located on the seat bracket on the right side just below the seat, after engaging the blade (PTO). A red light on the front console (Fig. 11) will turn on as a reminder that the operating-in-reverse interlock has been deactivated. Once the interlock is deactivated it stays in this mode--with your mower blade or PTO-driven attachment operating whenever you back up-- and the console light stays on until either the blade (PTO) is disengaged, or the engine is turned off.

Note: Do not insert the "Key Choice" key unless it is absolutely necessary to mow in reverse or operate an attachment. The "Key Choice" key should also be removed from the unit if it will be operated by someone other than a responsible, experienced operator. This will prevent the unit from operating in reverse with the mower blade or other PTO attachment engaged. Always remove both the ignition and the "Key Choice" keys and put them in a safe place out of the reach of children when leaving the unit unattended.


DANGER

POTENTIAL HAZARD

- A child or bystander could be backed over by a riding mower with its blade(s) engaged.

WHAT CAN HAPPEN

- Blade contact will cause serious personal injury or death.

HOW TO AVOID THE HAZARD

- Do not mow in reverse unless absolutely necessary.
- Always look backward and down before backing up.
- Use “Key Choice” switch only if you are certain no children or other bystanders will appear in the mowing area.
- Always remove both the ignition and “Key Choice” keys and put them in a safe place out of the reach of children or unauthorized users when leaving the unit unattended.

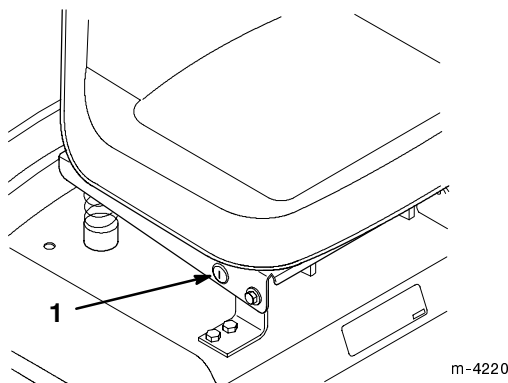


Figure 10

1. “Key Choice switch

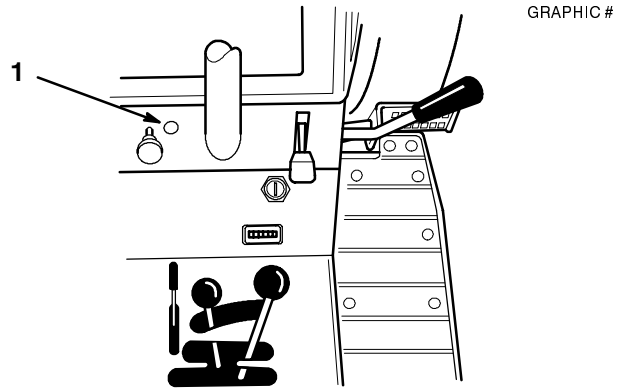


Figure 11

1. Operating –in–Reverse light

Testing the Safety Interlock System

Test the safety interlock system before you use the machine each time. If the safety system does not operate as described below, have an Authorized Service Dealer repair the safety system immediately.

1. While sitting on the seat, set the parking brake, move the gear shift lever to neutral and move the power take off (PTO) to disengaged. Now rise slightly from the seat and turn the ignition key to “START”; the engine should not crank.
2. While sitting on the seat, move the gear shift lever to neutral and move the power take off (PTO) to engaged. Now turn the ignition key to “START”; the engine should not crank.
3. While sitting on the seat, move the power take off (PTO) to disengaged and move the gear shift lever out of neutral. Now turn the ignition key to “START”; the engine should not crank.
4. While sitting on the seat, set the parking brake, move the gear shift lever to neutral and move the power take off (PTO) to disengaged. Now start the engine. While the engine is running, move the power take off (PTO) to engaged and rise slightly from the seat; the engine should stop.

5. While sitting on the seat, set the parking brake, move the gear shift lever to neutral and move the power take off (PTO) to disengaged. Now start the engine. While the engine is running, depress the clutch, place the gear shift lever into gear, release the parking brake and begin driving the tractor. While driving rise slightly from the seat; the engine should stop.
6. While sitting on the seat, set the parking brake, move the gear shift lever to neutral and move the power take off (PTO) to disengaged. Now start the engine. While the engine is running, depress the clutch and place the gear shift lever into gear; the engine should stop.
7. Put the PTO lever in the “disengage” position and the gear shifter in neutral. Now start the engine. While the engine is running, move the PTO lever to the “engage” position, push in the clutch and put the gear shifter in reverse. The engine should stop.
8. Put the PTO lever in the “disengage” position and the gear shifter in neutral. Now start the engine. Move the PTO lever to the “engage” position and turn the “Key Choice” key and release. The Operating-in-Reverse warning light should illuminate. Move the PTO lever to the “disengage” position and the Operating-in-Reverse warning light should turn off.

Driving Forward or Backward

The throttle control regulates the engine speed as measured in rpm (revolutions per minute). Place the throttle control in the “FAST” position for best performance.

CAUTION

POTENTIAL HAZARD

- If you release the clutch pedal too quickly when the ground speed selector is in gear, you could suddenly put the machine in motion.

WHAT CAN HAPPEN

- Sudden engagement of the machine’s drive system could cause you to lose control.

HOW TO AVOID THE HAZARD

- Always release the clutch pedal slowly when starting the machine in motion (forward or reverse).

To go forward or backward, depress the clutch and brake pedals. Move the range selector to the desired high–low location and select a forward or reverse gear. Release the brake pedal. As you slowly release the clutch pedal, the machine will begin to move. Steer the machine with the steering wheel.

Note: For reverse motion, with the PTO engaged, the operating–in–reverse interlock must be deactivated by the “key choice” switch located on the seat bracket on the right hand side just below the seat.

Selecting Ground Speeds

IMPORTANT: To avoid transmission damage, always depress the clutch and brake pedals before shifting gears or high–low range.

Always start the machine and change gears by depressing the clutch pedal (Fig. 12). In most conditions, the machine is powerful enough to move out in any speed. If it will not move out in a selected speed (i.e., #5) due to a heavy load, use a lower speed (i.e., #2).

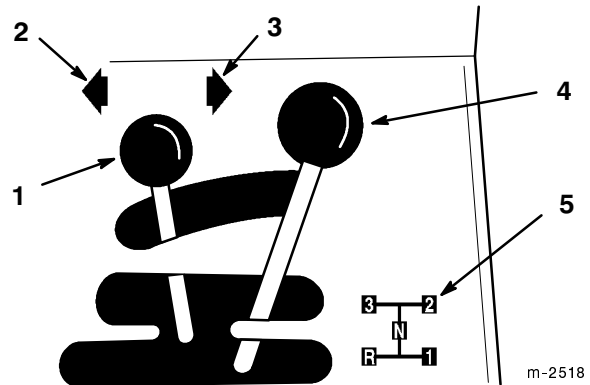


Figure 12

- | | |
|-------------------|---------------------------|
| 1. Range selector | 4. Ground speeds selector |
| 2. Low range | 5. Gear location 1-3, R |
| 3. High range | |

Stopping the Machine

To stop the machine, depress the clutch and brake pedals, disengage the power take off (PTO), and turn the ignition key to “OFF” to stop the engine. Also set the parking brake if you leave the machine unattended; refer to Setting the Parking Brake, page 10. Remember to remove the ignition and “key choice” keys.

CAUTION

POTENTIAL HAZARD

- Someone could move or attempt to operate the tractor while it is unattended.

WHAT CAN HAPPEN

- Children or bystanders may be injured if they use the tractor.

HOW TO AVOID THE HAZARD

- Always remove the ignition and key choice keys and set the parking brake when leaving the machine unattended, even if just for a few minutes.

IMPORTANT: To prevent excessive wear, do not “Ride the Brakes,” or use brakes to slow ground speed when in gear. On hills shift to a lower gear for slower ground speed.

Attachment Lift Lever

The attachment lift lever (Fig. 13) is used to raise and lower various attachments.

Raising Attachments

1. Depress the clutch and brake pedals to stop the machine.
2. Pull attachment lift lever rearward until latch locks. In this position the lift will hold the attachment in the up, or raised position.

Lowering Attachments

1. Depress the clutch and brake pedals to stop the machine.
2. Pull attachment lift lever rearward, to release lift pressure, and push the button on top to release the latch. Move lift lever forward to lower attachment.

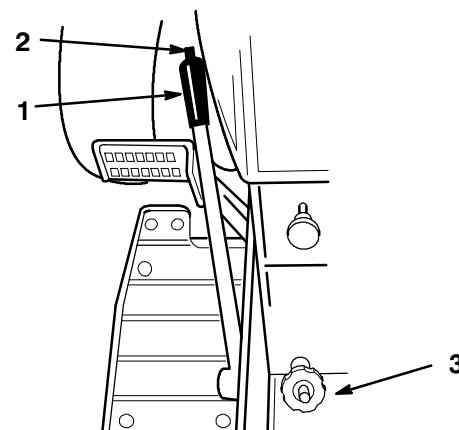


Figure 13

1. Lift lever
2. Button
3. Dial-A-Height

Adjusting Dial-A-Height

The Dial-A-Height control (Fig. 13) is used to limit the downward travel of attachments other than mowers. For example, use the Dial-a-Height to hold the blade or snowthrower above a gravel drive to prevent picking up stones or hold the tiller at a selected depth. For mowing, turn the Dial-a-Height fully counterclockwise until the knob contacts the plastic thread cap, so the mower can move through its full range of travel. Use the mower’s height control to set cutting height. To use the Dial-a-height:

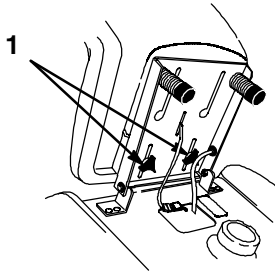
1. Raise the attachment lift lever: Refer to Raising Attachments. In the raised position the Dial-A-Height knob (Fig. 13) can be rotated to change the stop location. Turn right to raise and left to lower the height of the attachment.

Positioning the Seat

The seat can move forward and backward. Position the seat where you have the best control of the machine and are most comfortable.

1. Raise the seat and loosen the adjustment knobs (Fig. 14).

- Slide the seat to the desired position and tighten the knobs.



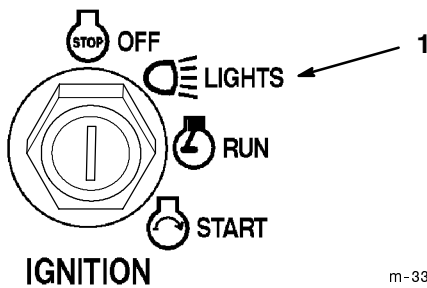
m-4223

Figure 14

- Adjustment knobs

Lights

The headlights are turned on with a separate position, “LIGHTS”, of the ignition switch (Fig. 15). The lights are on while the ignition switch is in the “LIGHTS” position even with the engine off. Remove the key when the machine is left unattended so lights cannot be turned on discharging the battery.



m-3382

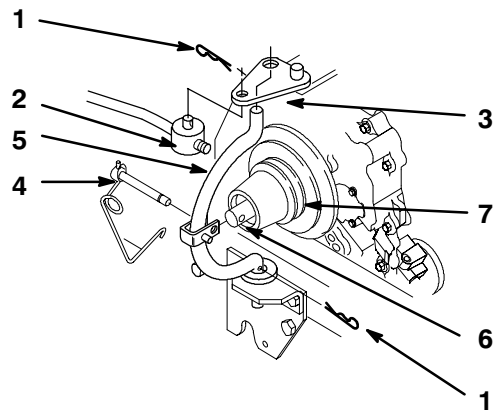
Figure 15

- Light position

- Remove hairpin cotters from trunnion and bottom of yoke (Fig. 16).
- Unlatch and remove clevis pin that secures yoke assembly to clutch shaft. Pivot yoke out and forward to remove from clutch shaft and engagement plate (Fig. 16).
- Place belt in pulley groove, going between clutch yoke and engagement plate (Fig. 16).

Note: Install belt in inside pulley groove for mowers and outside pulley groove for tiller and snowthrower.

- Assemble yoke and engagement plate and attach clevis pin, trunnion and hairpin cotters to secure (Fig. 16).
- Install the belt cover.



m-3443

Figure 16

- | | |
|---------------------|-----------------|
| 1. Hairpin cotter | 5. Yoke |
| 2. Trunnion | 6. Clutch shaft |
| 3. Engagement plate | 7. Belt groove |
| 4. Clevis pin | |

Installing PTO Belt

- Park the machine on a level surface, disengage the power take off (PTO), set the parking brake, and turn the ignition key to “OFF” to stop the engine. Remove the key.
- Remove the belt cover.

Maintenance

Service Interval Chart

Service Operation	Each Use	5 Hours	25 Hours	50 Hours	100 Hours	200 Hours	Storage Service
Oil—check level	X						
Oil—change*		Initial			X		X
Oil filter—change* (200 hours or every other oil change)						X	X
Safety System—check	X						X
Brake—check	X						X
Foam Air Cleaner—service*			X				X
Paper Air Cleaner—replace*					X		X
Spark Plug(s)—check						X	X
Chassis—grease*				X			X
Belts—check for wear/cracks				X			X
Gasoline—drain							X
Engine—clean outside and air intake*	X				X		X
Chipped Surfaces—paint							X
Battery—check electrolyte		X					X
Battery—charge, disconnect cables							X
Fuel Filter—replace					X		X
PTO Clutch\Brake—adjust					X		X
Tires—check pressure			X				X
Front Wheels—check toe-in					X		X
Transaxle Fluid—check level	X						X
* More often in dusty, dirty conditions							

CAUTION

POTENTIAL HAZARD

- If you leave the key in the ignition switch, someone could start the engine.

WHAT CAN HAPPEN

- Accidental starting of the engine could seriously injure you or other bystanders.

HOW TO AVOID THE HAZARD

- Remove the key from the ignition switch and pull the wire(s) off the spark plug(s) before you do any maintenance. Also push the wire(s) aside so it does not accidentally contact the spark plug(s).

Air Cleaner

Service Interval/Specification

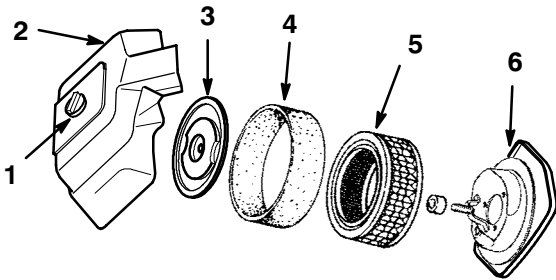
Foam Element: Clean and re-oil after every 25 operating hours, or yearly, whichever occurs first.

Paper Element: Replace after every 100 operating hours or yearly, whichever occurs first.

Note: Service the air cleaner more frequently (every few hours) if operating conditions are extremely dusty or sandy.

Removing the Foam and Paper Elements

1. Disengage the power take off (PTO), set the parking brake, and turn the ignition key to "OFF" to stop the engine. Remove the key.
2. Open the hood.
3. Clean around the air cleaner to prevent dirt from getting into the engine and causing damage. Remove the wing nut and air cleaner cover (Fig. 17).



m-3384

Figure 17

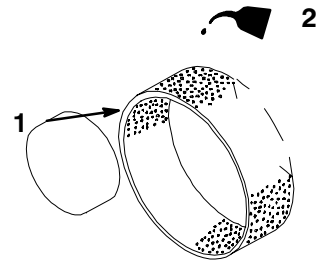
- | | |
|----------------------|---------------------|
| 1. Wing nut | 4. Foam element |
| 2. Air cleaner cover | 5. Paper element |
| 3. Cover | 6. Air cleaner base |

4. Unscrew the nut and remove the cover, foam element and paper element (Fig. 17).
5. Carefully slide the foam element off the paper element (Fig. 17).

Cleaning the Foam and Paper Elements

1. Foam Element
 - A. Wash the foam element in liquid soap and warm water. When the element is clean, rinse it thoroughly.
 - B. Dry the element by squeezing it in a clean cloth.
 - C. Put one or two ounces of oil on the element (Fig. 18). Squeeze the element to distribute the oil.

IMPORTANT: Replace the foam element if it is torn or worn.



1213

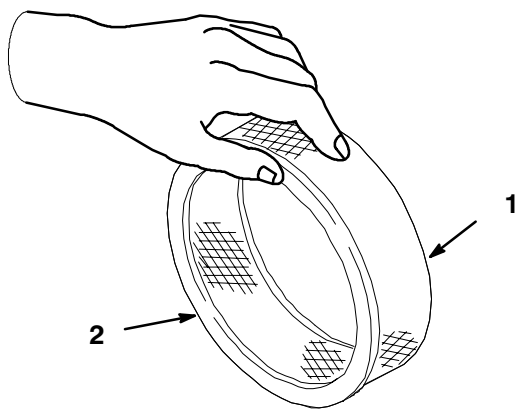
Figure 18

- | | |
|-----------------|--------|
| 1. Foam element | 2. Oil |
|-----------------|--------|

2. Paper Element

- A. Lightly tap the element on a flat surface to remove dust and dirt (Fig. 19).
- B. Inspect the element for tears, an oily film, and damage to the rubber seal.

IMPORTANT: Never clean the paper element with pressurized air or liquids, such as solvent, gas, or kerosene. Replace the paper element if it is damaged or cannot be cleaned thoroughly.



1213

Figure 19

1. Paper element
2. Rubber seal

Installing the Foam and Paper Elements

IMPORTANT: To prevent engine damage, always operate the engine with the complete foam and paper air cleaner assembly installed.

1. Carefully slide the foam element onto the paper air cleaner element (Fig. 17).
2. Place the air cleaner assembly into air cleaner base. Slide cover onto rod and secure with nut (Fig. 17).
3. Install the air cleaner cover and secure with wing nut (Fig. 17).
4. Close the hood.

Engine Oil

Service Interval/Specification

Change oil:

- After the first 5 operating hours.
- After every 100 operating hours.

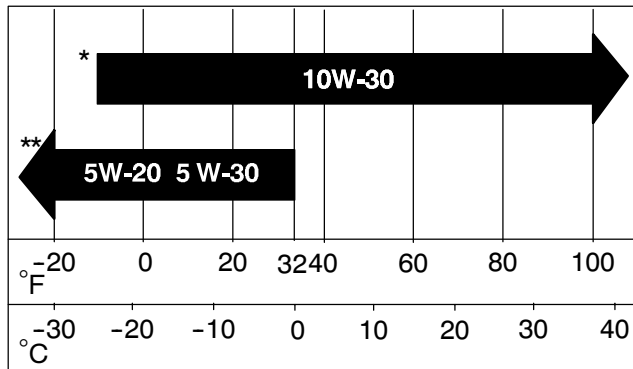
Note: Change oil more frequently when operating conditions are extremely dusty or sandy.

Oil Type: Detergent oil (API service SG or SH)

Crankcase Capacity: without filter, 3-1/2 pints (1.7 l)
with filter, 4 pints (1.9 l)

Viscosity: See table below

USE THESE SAE VISCOSITY OILS



*Use of synthetic oil having 5W-20 or 5W-30 rating is acceptable, up to 40° F).

**Synthetic oils will provide better starting in extreme cold (below -10° F).

Checking Oil Level

1. Park the machine on a level surface, disengage the power take off (PTO), set the parking brake, and turn the ignition key to “OFF” to stop the engine. Remove the key.
2. Open the hood.
3. Clean around the oil dipstick (Fig. 20) so dirt cannot fall into the filler hole and damage the engine.
4. Pull the oil dipstick out and wipe the metal end clean (Fig. 20).
5. Push the oil dipstick fully into the filler tube (Fig. 20). Pull the dipstick out and look at the metal end. If oil level is low, slowly pour only enough oil into the filler tube to raise the level to the “FULL” mark.

IMPORTANT: Do not overfill the crankcase with oil because the engine may be damaged.

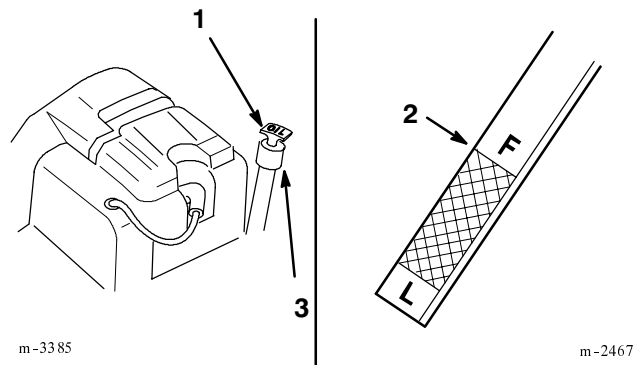


Figure 20

1. Oil dipstick
2. Metal end
3. Filler tube

Changing/Draining Oil

1. Start the engine and let it run five minutes. This warms the oil so it drains better.
2. Park the machine so that the drain side is slightly lower than the opposite side to assure the oil drains completely. Then disengage the power take off (PTO), set the parking brake, and turn the ignition key to "OFF" to stop the engine. Remove the key.
3. Open the hood.
4. Place a pan below the oil drain. Open the drain by removing the cap (Fig. 21).
5. When oil has drained completely, close the drain by installing the cap.

Note: Dispose of the used oil at a certified recycling center.

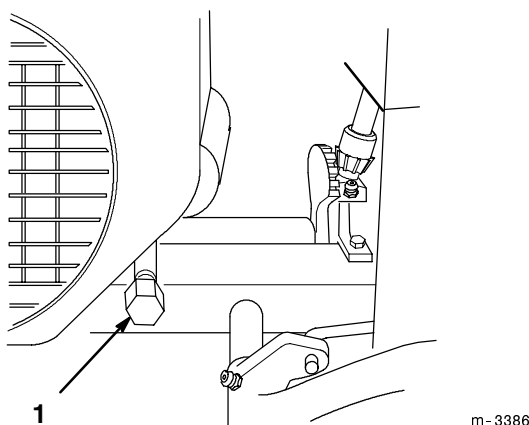


Figure 21

1. Oil drain cap

6. Slowly pour approximately 80% of the specified amount of oil into the filler tube (Fig. 20). Now check the oil level; refer to Checking Oil Level, page 22. Slowly add additional oil to bring to "FULL" mark on dipstick.

Change Oil Filter

Service Interval/Specification

Replace the oil filter after every 200 hours or every other oil change.

Note: Change oil filter more frequently when operating conditions are extremely dusty or sandy.

1. Drain the oil from the engine; refer to Changing/Draining Oil, page 23.
2. Remove the old filter and wipe the filter adapter (Fig. 22) gasket surface.
3. Apply a thin coat of new oil to the rubber gasket on the replacement filter (Fig. 22).

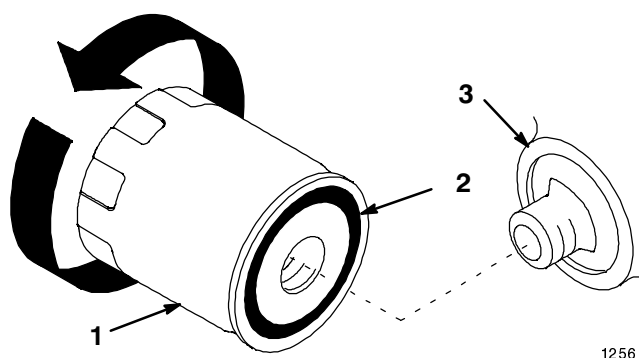


Figure 22

1. Oil filter
2. Gasket
3. Adapter

4. Install the replacement oil filter to the filter adapter. Turn the oil filter clockwise until the rubber gasket contacts the filter adapter, then tighten the filter an additional 1/2 turn (Fig. 22).
5. Fill the crankcase with the proper type of new oil; refer to Changing/Draining Oil, page 23.

Note: Dispose of the used oil filter at a certified recycling center.

Spark Plug

Service Interval/Specification

Check the spark plug(s) after every 200 operating hours. Make sure the air gap between the center and side electrodes is correct before installing the spark plug. Use a spark plug wrench for removing and installing the spark plug(s) and a gapping tool/feeler gauge to check and adjust the air gap.

Type: Champion RC12YC (or equivalent)

Air Gap: 0.040" (1.02 mm)

Removing the Spark Plug(s)

1. Disengage the power take off (PTO), set the parking brake, and turn the ignition key to "OFF" to stop the engine. Remove the key.
2. Open the hood.
3. Pull the wire(s) off the spark plug(s) (Fig. 23). Now clean around the spark plug(s) to prevent dirt from falling into the engine and potentially causing damage.
4. Remove the spark plug(s) and metal washer.

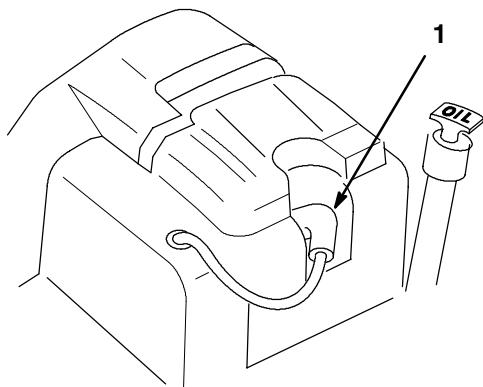


Figure 23

1. Spark plug wire

Checking the Spark Plug

1. Look at the center of the spark plug(s) (Fig. 24). If you see light brown or gray on the insulator, the engine is operating properly. A black coating on the insulator usually means the air cleaner is dirty.

IMPORTANT: Never clean the spark plug(s). Always replace the spark plug(s) when it has: a black coating, worn electrodes, an oily film, or cracks.

2. Check the gap between the center and side electrodes (Fig. 24). Bend the side electrode (Fig. 24) if the gap is not correct.

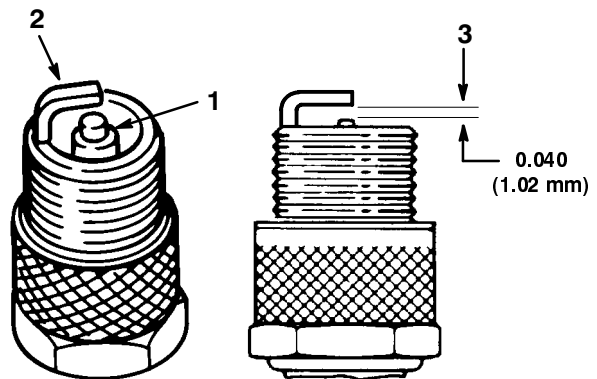


Figure 24

1. Center electrode insulator
2. Side electrode
3. Air gap (not to scale)

Installing the Spark Plug(s)

1. Install the spark plug(s) and metal washer. Make sure the air gap is set correctly.
2. Tighten the spark plug(s) to 30 ft. lb. (41 N•m).
3. Push the wire(s) onto the spark plug(s) (Fig. 23).
4. Close the hood.

Greasing and Lubrication

Service Interval/Specification

Grease the machine after every 50 operating hours or yearly, whichever occurs first. Grease more frequently when operating conditions are extremely dusty or sandy.

Grease Type: General-purpose grease.

How to Grease

1. Disengage the power take off (PTO), set the parking brake, and turn the ignition key to "OFF" to stop the engine. Remove the key.
2. Clean the grease fittings with a rag. Make sure to scrape any paint off the front of the fitting(s).
3. Connect a grease gun to the fitting. Pump grease into the fittings until grease begins to ooze out of the bearings.
4. Wipe up any excess grease.

Where to Add Grease

1. Lubricate the front wheels, spindles and tie-rod ends until grease begins to ooze out of the bearings (Fig. 25).
2. Lubricate the front axle pivot (Fig. 25).

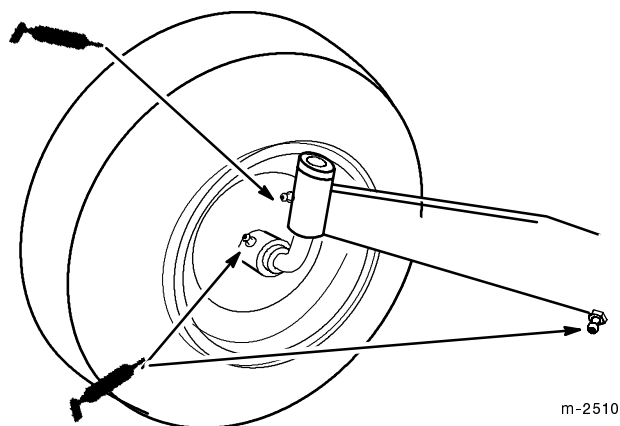


Figure 25

3. Lubricate the pedal(s) where it pivots on the mounting shaft, steering shaft and spread grease on steering sector teeth (Fig. 26).

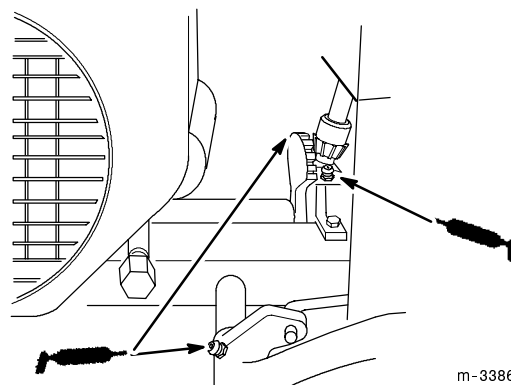


Figure 26

Tire Pressure

Service Interval/Specification

Maintain the air pressure in the front and rear tires as specified. Check the pressure at the valve stem after every 25 operating hours or monthly, whichever occurs first (Fig. 27). Check the tires when they are cold to get the most accurate pressure reading.

Pressure: 12 psi (83 kPa) front and rear

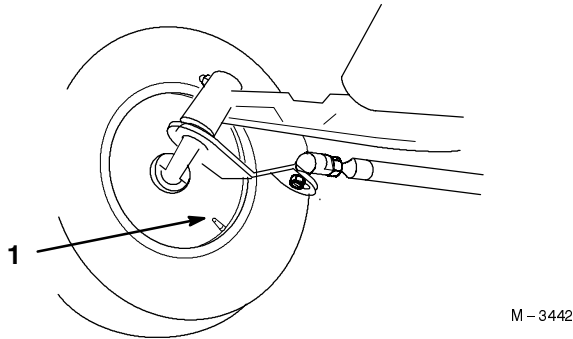


Figure 27
1. Valve stem

Cleaning Engine Cooling Systems

Before each use, check and clean cooling screen. Remove any build-up of grass, dirt or other debris from the engine air intake. Every 100 hours clean engine cylinder and cylinder head cooling fins. Also clean around carburetor, governor levers and linkage. This will help insure adequate cooling to engine and will reduce the possibility of overheating and mechanical damage.

1. Clean off engine air intake (Fig. 28).
2. Blow out fins of engine and screen with compressed air. If area between screen and fins is tightly packed, remove engine shroud.

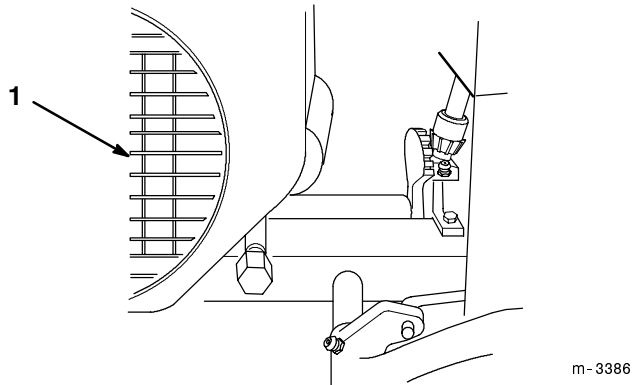


Figure 28

1. Engine air intake

Brake

Always set the parking brake when you stop the machine or leave it unattended. If the parking brake does not hold securely, an adjustment is required.

Checking the Brake

1. Park the machine on a level surface, disengage the power take off (PTO), set the parking brake, and turn the ignition key to "OFF" to stop the engine. Remove the key.
2. Place the gear shift in neutral. Rear wheels must lock and skid when you try to push the tractor forward. Adjustment is required if the wheels turn and do not lock; refer to Adjusting the Brake, page 27.
3. Release the parking brake and push the tractor. Wheels should rotate freely without brake drag.
4. If both conditions are met no adjustment is required.

Adjusting the Brake

The brake adjustment is behind the left side cover (Fig. 29). If the parking brake does not hold securely, an adjustment is required.

1. Check the brake before you adjust it; refer to Checking the Brake, page 27.
2. Set parking brake so latch is in second notch. To do this lift up on parking brake lever and slowly depress brake pedal and feel when latch is in second notch.
3. To adjust the brake tighten adjustment nut until rear wheels skid, then tighten an additional 1/2 turn (Fig. 29).
4. Check the brake operation again; refer to Checking the Brake, page 27.

IMPORTANT: With the parking brake released and the gear shift in neutral, the rear wheels must rotate freely when you push the

tractor. If brake action and free wheel rotation cannot be achieved contact your service dealer immediately.

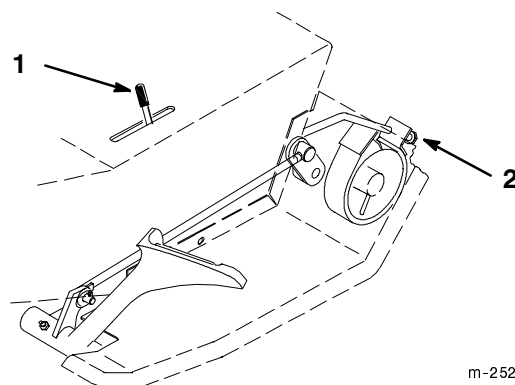


Figure 29

1. Parking brake lever
2. Adjustment nut

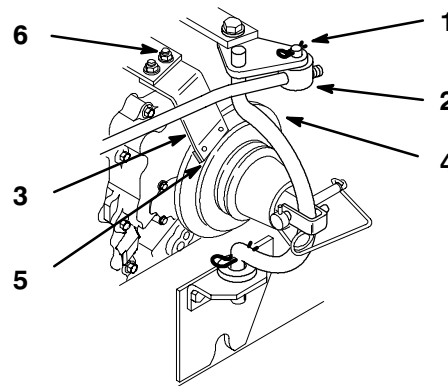
PTO (Power Take Off) Clutch and Brake

Service Interval/Specification

Check PTO clutch and brake after every 100 operating hours or yearly, whichever occurs first. If attachment drive slippage or slow stopping is noticed adjust clutch and brake.

Adjusting PTO Clutch and Brake

1. Disengage the power take off (PTO), set the parking brake, and turn the ignition key to "OFF" to stop the engine. Remove the key.
2. Remove the belt cover.
3. To adjust clutch, remove hairpin cotter and thread trunnion onto rod one turn at a time until there is moderate resistance as the clutch engages and clutch slippage is eliminated (Fig. 30).
4. To adjust brake, engage PTO clutch and loosen (2) adjustment nuts (Fig. 30).
5. Place a 0.012 (0.3 mm) feeler gauge between brake pad and clutch pulley. Holding brake pad against feeler gauge tighten adjusting nuts (Fig. 30).
6. Disengage PTO and check if brake pad engages properly to provide braking of PTO pulley.
7. Install the belt cover.



m-3444

Figure 30

- | | |
|-------------------|-------------------------------|
| 1. Hairpin cotter | 5. 0.012 (0.3mm) feeler gauge |
| 2. Trunnion | 6. Adjustment nut |
| 3. Brake pad | |
| 4. Pulley | |
-

Front Wheel Toe-In

Service Interval/Specification

Maintain toe-in of the front wheels as specified. If uneven tire wear, lawn scuffing or hard steering develop adjustment may be required. Check the toe-in after every 100 operating hours or yearly, whichever occurs first (Fig. 31).

Specification: 1/8-1/4 inch toe-in on front wheels.

Measuring Toe-in

1. Disengage the power take off (PTO), set the parking brake, and turn the ignition key to "OFF" to stop the engine. Remove the key.
2. Push front tires out, at front, to remove normal looseness in the linkage.
3. Measure, between the rims, at spindle level, in the front and rear of the wheels (Fig. 31).
4. The front measurement should be less than the rear, as specified.

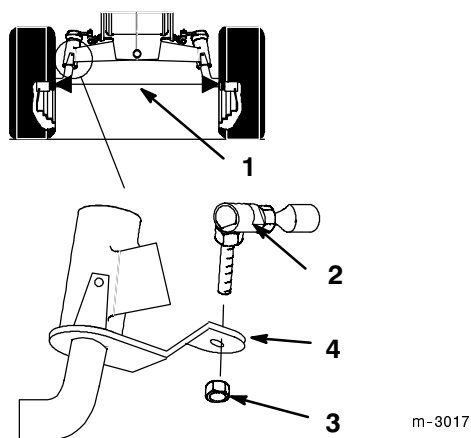


Figure 31

- | | |
|---------------------|-------------------|
| 1. Measure here | 3. Jam nut |
| 2. Ball joint flats | 4. Steering lever |


Adjusting Toe-In

1. Check the toe-in before you adjust it; refer to Measuring Toe-In, Page 29.
2. Remove ball joint from one steering lever (Fig. 31).
3. Loosen jam nut securing ball joint to steering rod. Rotate ball joint one turn, clockwise to decrease or counter clockwise to increase toe-in.
4. Install ball joint to steering lever and check the toe-in; refer to Measuring Toe-In, Page 29.

IMPORTANT: If more than one turn is required to meet specifications, alternate between left and right steering rods to maintain steering wheel alignment.

Fuel Tank

Draining The Fuel Tank

 **DANGER**

POTENTIAL HAZARD

- In certain conditions gasoline is extremely flammable and highly explosive.

WHAT CAN HAPPEN

- A fire or explosion from gasoline can burn you, others, and cause property damage.

HOW TO AVOID THE HAZARD

- Drain gasoline from the fuel tank when the engine is cold. Do this outdoors in an open area. Wipe up any gasoline that spills.
- Never drain gasoline near an open flame or where gasoline fumes may be ignited by a spark.
- Never smoke a cigarette, cigar or pipe.

1. Park the machine on a level surface, to assure fuel tank drains completely. Then disengage the power take off (PTO), set the parking brake, and turn the ignition key to "OFF" to stop the engine. Remove the key.
2. Close fuel shut-off valve at fuel tank (Fig. 32).

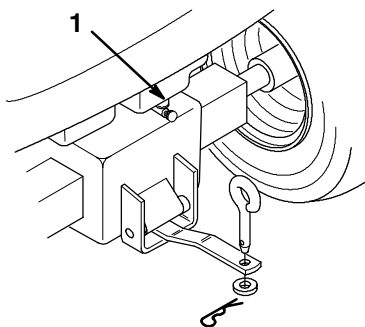


Figure 32

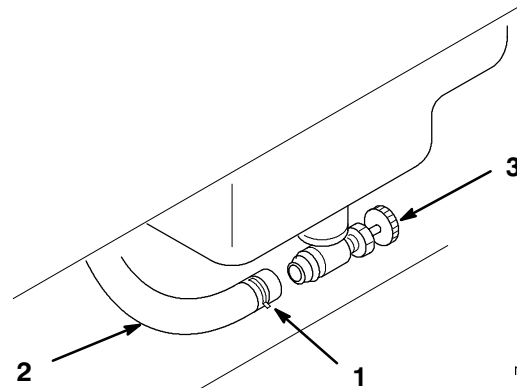
1. Fuel shut-off valve

3. Loosen the hose clamp and slide it up the fuel line away from the fuel shut-off valve (Fig. 33).

4. Pull the fuel line off fuel shut-off valve (Fig. 33). Open fuel shut-off valve and allow gasoline to drain into a gas can or drain pan.

Note: Now is the best time to install a new fuel filter because the fuel tank is empty.

5. Install the fuel line onto the fuel shut-off valve. Slide the hose clamp close to the fuel shut-off valve to secure the fuel line (Fig. 33).



m-2487

Figure 33

1. Hose clamp
2. Fuel line
3. Fuel shut-off valve

Transaxle Fluid

Service Interval/Specification

Check fluid level before every use. Always keep the fluid level at the full level when the transaxle is cold.

Fluid Type: SAE 90 gear lube (API service QL-5)

Capacity: 2 quarts (1.9 l)

Checking Fluid Level

1. Park the machine on a level surface, disengage the power take off (PTO), set the parking brake, and turn the ignition key to “OFF” to stop the engine. Remove the key.
2. Tilt the seat up.
3. Clean around the transaxle dipstick (Fig. 34) so dirt cannot fall into the filler hole and damage the transaxle.

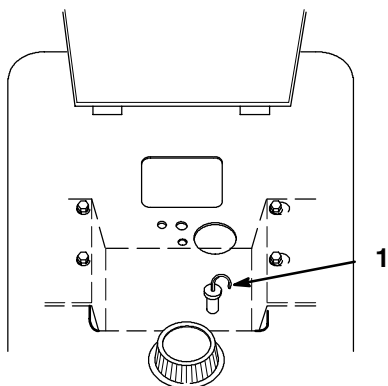


Figure 34

1. Transaxle dipstick

4. Pull out the dipstick and wipe the metal end clean (Fig. 34).
5. Slide the dipstick fully into the filler tube (Fig. 20). Pull the dipstick out and look at the metal end. When transaxle is cold oil should be at the “Full” line on the dipstick (Fig. 34).

6. If oil level is low, slowly pour only enough oil into the filler tube to raise the level to the “FULL” mark.

IMPORTANT: Do not fill above the “Full” line as fluid may overflow when operating.

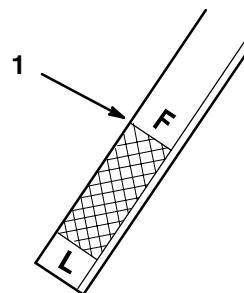


Figure 35

1. Full cold level

m-2467

Headlights

Removing the Bulb

1. Disengage the power take off (PTO), set the parking brake, and turn the ignition key to "OFF" to stop the engine. Remove the key.
2. Open the hood. Pull wire connectors off light terminals.
3. Remove screw securing retainer bracket (Fig. 36).
4. Lift and twist bulb out of pocket (Fig. 36).

Installing the Bulb

1. Locate index boss horizontal and twist bulb under tabs on left side of pocket (Fig. 36).
2. Hold bulb in socket with retainer bracket and secure with screw (Fig. 36).
3. Push wire connectors onto bulb terminals (Fig. 36).

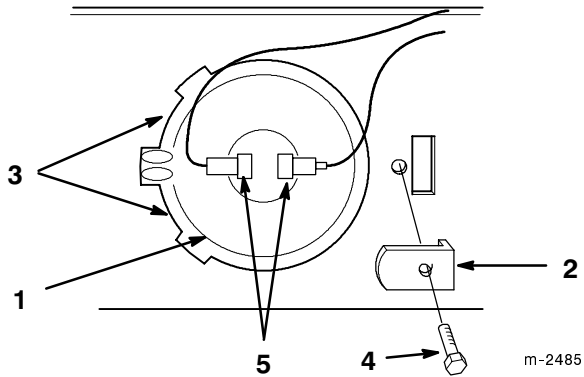


Figure 36

- | | |
|---------------------|--------------|
| 1. Bulb | 4. Screw |
| 2. Retainer bracket | 5. Terminals |
| 3. Tabs | |

Battery

Service Interval/Specification

Check the electrolyte level in the battery every five hours. Always keep the battery clean and fully charged. Use a paper towel to clean the battery case. If the battery terminals are corroded, clean them with a solution of four parts water and one part baking soda. Apply a light coating of grease to the battery terminals to prevent corrosion.

Removing the Battery

1. Disengage the power take off (PTO), set the parking brake, and turn the ignition key to "OFF" to stop the engine. Remove the key.
2. Open the hood to see the battery.
3. Disconnect the negative (black) ground cable from the battery post (Fig. 37).
4. Lift the red rubber cover up on the positive cable. Disconnect the positive cable (red cover) from the battery post (Fig. 37).
5. Remove the battery hold down rods (Fig. 37). Lift battery from tractor

Voltage: 12 v, 210 Cold Cranking Amps

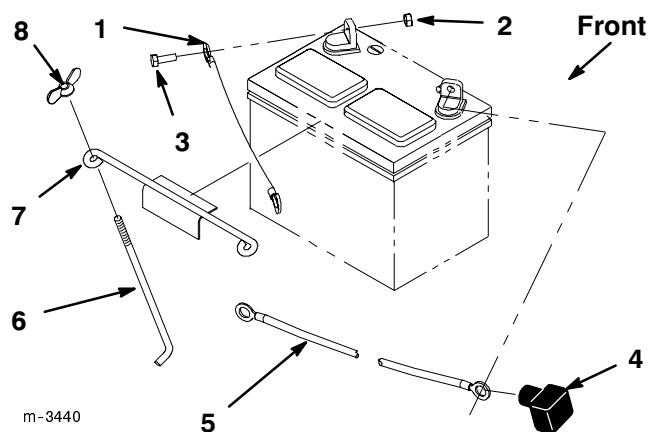


Figure 37

- | | |
|-----------------------|-------------------|
| 1. Negative cable | 5. Positive cable |
| 2. Locknut | 6. Battery clamp |
| 3. Bolt | 7. Hold down rod |
| 4. Rubber cover (red) | 8. Wing nut |

Installing the Battery

6. Install the battery into the chassis (Fig. 37).
7. Secure battery in chassis with hold down rods and wing nuts (Fig. 37).
8. Using the bolt and locknut, connect the positive (red cover) cable to the positive (+) battery post (Fig. 37). Slide the rubber cover over the battery post.
9. Using the bolt and locknut, connect the negative (black) cable to the negative (-) battery post (Fig. 37).

Checking Electrolyte Level

1. With the engine off, open the hood to see the battery.
2. Open covers to see into the cells. The electrolyte must be up to the lower part of the tube (Fig. 38). Do not allow the electrolyte to get below the plates. (Fig. 38).
3. If the electrolyte is low, add the required amount of distilled water; refer to Adding Water to the Battery, page 34.

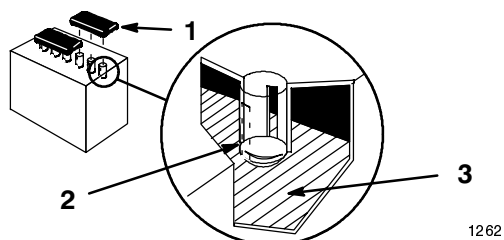


Figure 38

- | | |
|-----------------------|-----------|
| 1. Filler caps | 3. Plates |
| 2. Lower part of tube | |

Adding Water to the Battery

The best time to add distilled water to the battery is just before you operate the machine. This lets the water mix thoroughly with the electrolyte solution.

1. Clean the top of the battery with a paper towel.
2. Lift off the filler caps (Fig. 38).
3. Slowly pour distilled water into each battery cell until the level is up to the lower part of the tube (Fig. 38).

IMPORTANT: Do not overfill the battery because electrolyte (sulfuric acid) can cause severe corrosion and damage to the chassis.

4. Press the filler caps onto the battery.

Charging the Battery

IMPORTANT: Always keep the battery fully charged (1.260 specific gravity). This is especially important to prevent battery damage when the temperature is below 32°F (0°C).

1. Remove the battery from the chassis; refer to Removing the Battery, page 33.
2. Check the electrolyte level; refer to Checking Electrolyte Level, page 34, steps 2-3.
3. Remove the filler caps from the battery and connect a 3 to 4 amp battery charger to the battery posts. Charge the battery at a rate of 4 amperes or less for 4 hours (12 volts). Do not overcharge the battery. Install the filler caps after the battery is fully charged.

WARNING

POTENTIAL HAZARD

- Charging the battery produces gasses.

WHAT CAN HAPPEN

- Battery gasses can explode.

HOW TO AVOID THE HAZARD

- Keep cigarettes, sparks and flames away from battery.

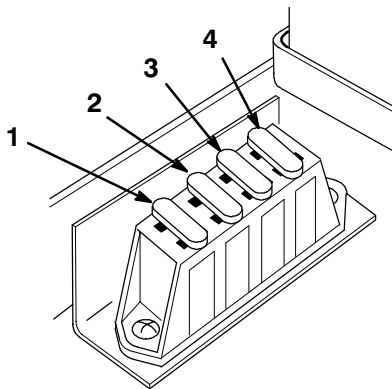
4. Install the battery in the chassis; refer to Installing the Battery, page 33.

Fuse

Service Interval/Specification

The electrical system is protected by fuses. It requires no maintenance, however, if a fuse blows check component/circuit for malfunction or short. To replace fuses pull up on the fuse (Fig. 39) to remove or replace it.

Fuse: Main F1-30 amp, blade-type
Alternator F2-25 amp, blade-type
Safety system F3-10 amp, blade-type
Lights F4-10 amp, blade-type

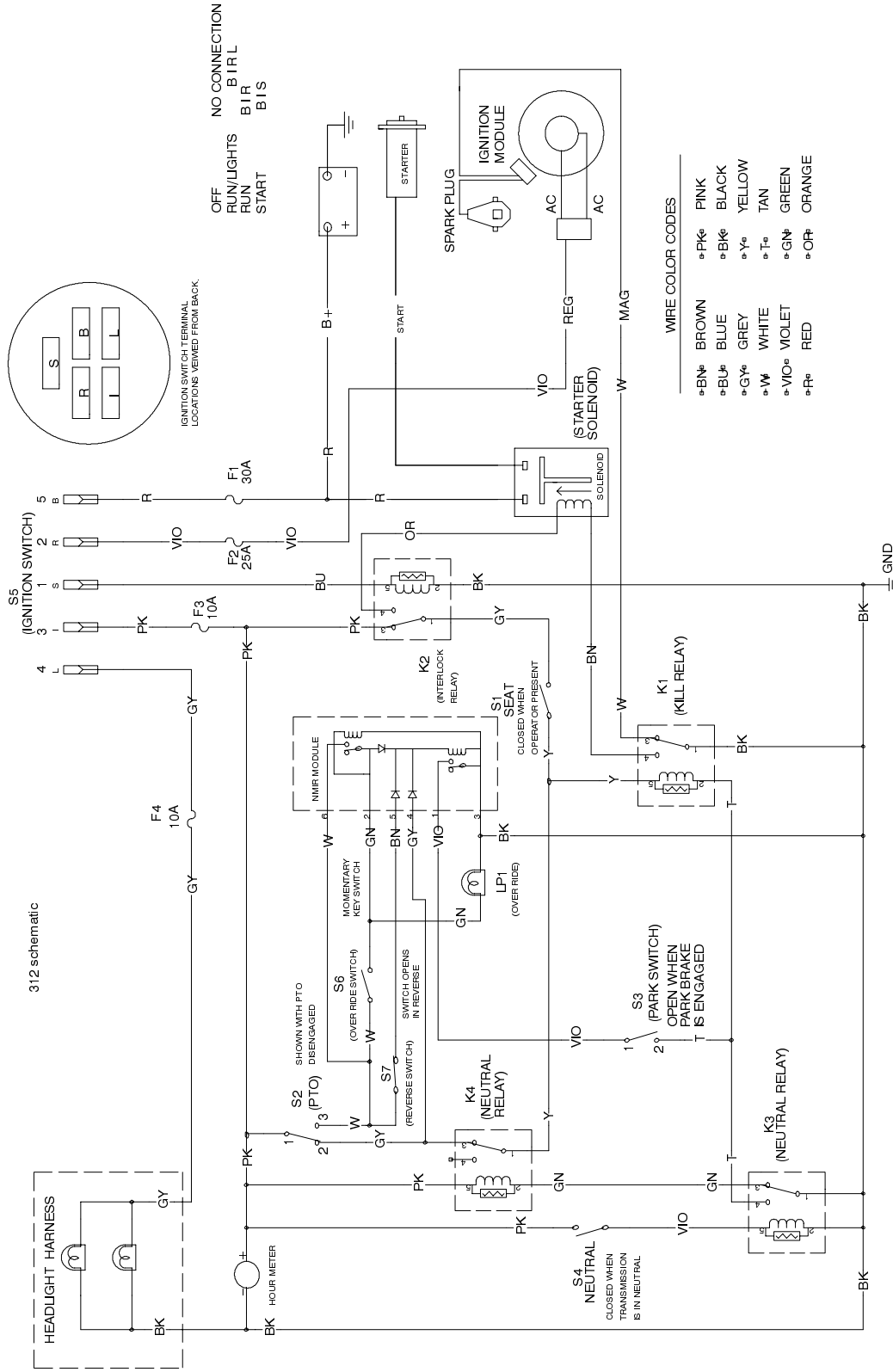


m-3387

Figure 39

- | | |
|----------------------|-------------------------|
| 1. Main-30 amp | 3. Safety system-10 amp |
| 2. Alternator-25 amp | 4. Lights-10 amp |

Wiring Diagram



Cleaning and Storage

1. Disengage the power take off (PTO), set the parking brake, and turn the ignition key to “OFF” to stop the engine. Remove the key.
2. Remove grass clippings, dirt, and grime from the external parts of the entire machine, especially the engine. Clean dirt and chaff from the outside of the engine’s cylinder head fins and blower housing.

IMPORTANT: You can wash the machine with mild detergent and water. DO NOT PRESSURE WASH THE MACHINE. Pressure washing may damage the electrical system or wash away necessary grease at friction points. Avoid excessive use of water, especially near the control panel, lights, engine, and the battery.

3. Check the brake; refer to Brake, page 27.
4. Service the air cleaner; refer to Air Cleaner, page 20.
5. Grease the chassis; refer to Greasing and Lubrication, page 25.
6. Change the crankcase oil; refer to Engine Oil, page 22.
7. Remove the spark plug(s) and check its condition; refer to Spark Plug, page 24. With the spark plug(s) removed from the engine, pour two tablespoons of engine oil into the spark plug hole. Now use the electric starter to crank the engine and distribute the oil inside the cylinder. Install the spark plug(s); refer to Spark Plug, page 24. Do not install the wire on the spark plug(s).
8. Remove the battery from the chassis, check the electrolyte level, and charge it fully; refer to Battery, page 33. Do not connect the battery cables to the battery posts during storage.

IMPORTANT: The battery must be fully charged to prevent it from freezing and being damaged at temperatures below 32°F (0°C).

A fully charged battery maintains its charge for about 50 days at temperatures lower than 40°F (4°C). If the temperatures will be above 40°F (4°C), check the water level in the battery and charge it every 30 days.

9. Check the tire pressure; refer to Tire Pressure, page 26.
10. For long-term storage (more than 90 days) add stabilizer/conditioner additive to fuel in the tank (1 oz. per gallon) (8 ml per liter) and proceed as follows:
 - A. Run the engine to distribute conditioned fuel through the fuel system (5 minutes).
 - B. Stop the engine, allow it to cool and drain the fuel tank; refer to Fuel Tank, page 30, or operate engine until it stops.
 - C. Restart the engine and run until it stops. Repeat, with the “CHOKE” on, until the engine will not restart.
 - D. Dispose of fuel properly or use within 90 days for other applications. Recycle in accordance with local codes.

Note: Do not store stabilizer/conditioned gasoline over 90 days.

11. Check and tighten all bolts, nuts, and screws. Repair or replace any part that is damaged or defective.
12. Paint all scratched or bare metal surfaces. Paint is available from your Authorized Service Dealer.
13. Store the machine in a clean, dry garage or storage area. Remove the key from the ignition switch and keep it in a memorable place. Cover the machine to protect it and keep it clean.

Troubleshooting

PROBLEM	POSSIBLE CAUSES	CORRECTIVE ACTION
Starter does not crank	<ol style="list-style-type: none"> 1. Blade control (PTO) is ENGAGED. 2. Parking brake is not on. 3. Operator is not seated. 4. Speed selector not in "N" neutral. 5. Battery is dead. 6. Electrical connections are corroded or loose. 7. Fuse is blown. 8. Relay or switch is defective. 	<ol style="list-style-type: none"> 1. Move blade control (PTO) to DISENGAGED. 2. Set parking brake. 3. Sit on the seat. 4. Move speed selector to "N" neutral. 5. Charge the battery. 6. Check electrical connections for good contact. 7. Replace fuse. 8. Contact Authorized Service Dealer.
Engine will not start, starts hard, or fails to keep running.	<ol style="list-style-type: none"> 1. Fuel tank is empty. 2. Choke is not ON. 3. Air cleaner is dirty. 4. Spark plug wire is loose or disconnected. 5. Spark plug is pitted, fouled, or gap is incorrect. 6. Dirt in fuel filter. 7. Dirt, water, or stale fuel is in fuel system. 	<ol style="list-style-type: none"> 1. Fill fuel tank with gasoline. 2. Move choke lever to ON. 3. Clean or replace air cleaner element. 4. Install wire on spark plug. 5. Install new, correctly gapped spark plug. 6. Replace fuel filter. 7. Contact Authorized Service Dealer.
Engine loses power.	<ol style="list-style-type: none"> 1. Engine load is excessive. 2. Air cleaner is dirty. 3. Oil level in crankcase is low. 4. Cooling fins and air passages under engine blower housing are plugged. 5. Spark plug is pitted, fouled, or gap is incorrect. 6. Vent hole in fuel cap is plugged. 7. Dirt in fuel filter. 8. Dirt, water, or stale fuel is in fuel system. 	<ol style="list-style-type: none"> 1. Shift into lower gear to reduce ground speed. 2. Clean air cleaner element. 3. Add oil to crankcase. 4. Remove obstruction from cooling fins and air passages. 5. Install new, correctly gapped spark plug. 6. Clean or replace the fuel cap. 7. Replace fuel filter. 8. Contact Authorized Service Dealer.

PROBLEM	POSSIBLE CAUSES	CORRECTIVE ACTION
Engine overheats.	<ol style="list-style-type: none"> 1. Engine load is excessive. 2. Oil level in crankcase is low. 3. Cooling fins and air passages under engine blower housing are plugged. 	<ol style="list-style-type: none"> 1. Shift into lower gear to reduce ground speed. 2. Add oil to crankcase. 3. Remove obstruction from cooling fins and air passages.
Abnormal vibration.	<ol style="list-style-type: none"> 1. Engine mounting bolts are loose. 2. Loose engine pulley, idler pulley, or blade pulley. 3. Engine pulley is damaged. 	<ol style="list-style-type: none"> 1. Tighten engine mounting bolts. 2. Tighten the appropriate pulley. 3. Contact Authorized Service Dealer.
Machine does not drive.	<ol style="list-style-type: none"> 1. Traction belt is worn, loose or broken. 2. Traction belt is off pulley. 3. Transmission does not shift. 	<ol style="list-style-type: none"> 1. Contact Authorized Service Dealer. 2. Contact Authorized Service Dealer. 3. Contact Authorized Service Dealer.



Consumer
Riding
Products

The Toro Total Coverage Guarantee

A Two-Year Full Warranty
(Limited Warranty for Commercial Use)

Conditions and Products Covered

The Toro Company and its affiliate, Toro Warranty Company, pursuant to an agreement between them, jointly promise to repair any Toro Product used for normal residential purposes* if defective in materials or workmanship. The following time periods apply from the date of purchase:

<u>Products</u>	<u>Warranty Period</u>
• All Products	2 year full warranty
• 300 and 5xi Series Tractors:	
Chassis	5 year full warranty
Front Axle	5 year full warranty
Drive Shaft (5xi Series Only)	5 year full warranty
• All Batteries	1 year full warranty

This warranty covers both the cost of parts and labor, and transportation within a fifteen mile radius of the servicing dealer.

This warranty applies to all consumer riding products and their attachments.

* Normal residential purposes means use of the product on the same lot as your home. Use at more than one location is considered commercial use, and the commercial use warranty would apply.

Limited Warranty for Commercial Use

Toro Consumer Products and attachments used for commercial, institutional, or rental use are warranted against defects in materials or workmanship for the following time periods from the date of purchase:

<u>Products</u>	<u>Warranty Period</u>
• All Products	90 day limited warranty
• 300 and 5xi Series Tractors:	
Chassis	1 year limited warranty
Liquid Cooled Gas Engines	1 year limited warranty
Air Cooled Gas and Diesel Engines	2 year limited warranty

Instructions for Obtaining Warranty Service

Should you feel your Toro Product contains a defect in materials or workmanship, contact the retailer who sold you the product or any Authorized Service Dealer or Master Service Dealer. The Yellow Pages of your telephone directory is a good reference source. The dealer will either arrange service at his/her dealership or recommend another Authorized Service Dealer who may be more convenient. You may need proof of purchase (copy of registration card, sales receipt, etc.) for warranty validation.

Countries Other than the United States or Canada

Customers who have purchased Toro products exported from the United States or Canada should contact their Toro Distributor (Dealer) to obtain guarantee policies for your country, province, or state. If for any reason you are dissatisfied with your Distributor's service or have difficulty obtaining guarantee information, contact the Toro importer. If all other remedies fail, you may contact us at Toro Warranty Company.

If for any reason you are dissatisfied with the Service Dealer's analysis of the defect in materials or workmanship or if you need a referral to a Toro Service Dealer, please feel free to contact us at:

Customer Service Department
Toro Warranty Company
8111 Lyndale Avenue South
Bloomington, MN 55420-1196
612-888-8801
800-348-2424

Owner Responsibilities

You must maintain your Toro Product by following the maintenance procedures described in the operator's manual. Such routine maintenance, whether performed by a dealer or by you, is at your expense.

Items and Conditions Not Covered

There is no other express warranty except for special emission system coverage on some products. This express warranty does not cover:

- Cost of regular maintenance service or parts, such as filters, fuel, lubricants, tune-up parts, blade sharpening, brake and clutch adjustments.
- Any product or part which has been altered or misused or required replacement or repair due to normal wear, accidents, or lack of proper maintenance.
- Repairs necessary due to improper fuel, contaminants in the fuel system, or failure to properly prepare the fuel system prior to any period of non-use over three months.
- Pickup and delivery charges for distances beyond a fifteen mile radius from an Authorized Toro Service Dealer.

All repairs covered by this warranty must be performed by an Authorized Toro Service Dealer using Toro approved replacement parts.

General Conditions

Repair by an Authorized Toro Service Dealer is your sole remedy under this warranty.

Neither The Toro Company nor Toro Warranty Company is liable for indirect, incidental or consequential damages in connection with the use of the Toro Products covered by this warranty, including any cost or expense of providing substitute equipment or service during reasonable periods of malfunction or non-use pending completion of repairs under this warranty. Some states do not allow exclusions of incidental or consequential damages, or limitations on how long an implied warranty lasts, so the above exclusions and limitations may not apply to you.

This warranty gives you specific legal rights, and you may also have other rights which vary from state to state.