



**Count on it.**

**Parts Catalog**

**Reelmaster®**

**7-Blade Reel Mower**

Model No. 01007—Serial No. 403460001 and Up



# Ordering Replacement Parts

To order replacement parts, please supply the part number, the quantity, and the description of each part desired.

## Understanding Reference Numbers

Each identified part in an illustration has a reference number. The reference number for a part also appears in the parts list, along with other information about the part.

This catalog uses two special reference number formats, one to indicate parts in a service assembly and another to indicate the quantity of a given part in an illustration.

## Service Assembly Reference Numbers

Parts in service assemblies have reference numbers in the form a:b. The a represents the reference number of the entire service assembly and the b represents a sequential number unique to each part within the service assembly.

For example, a wheel assembly might be identified by reference number 6, the tire by 6:1, the valve by 6:2, and the wheel by 6:3. When you order the assembly identified by reference number 6, you receive all parts identified by reference numbers 6:1, 6:2, and 6:3. However, you may also order any part individually. Reference numbers of this type appear in illustration and in parts lists.

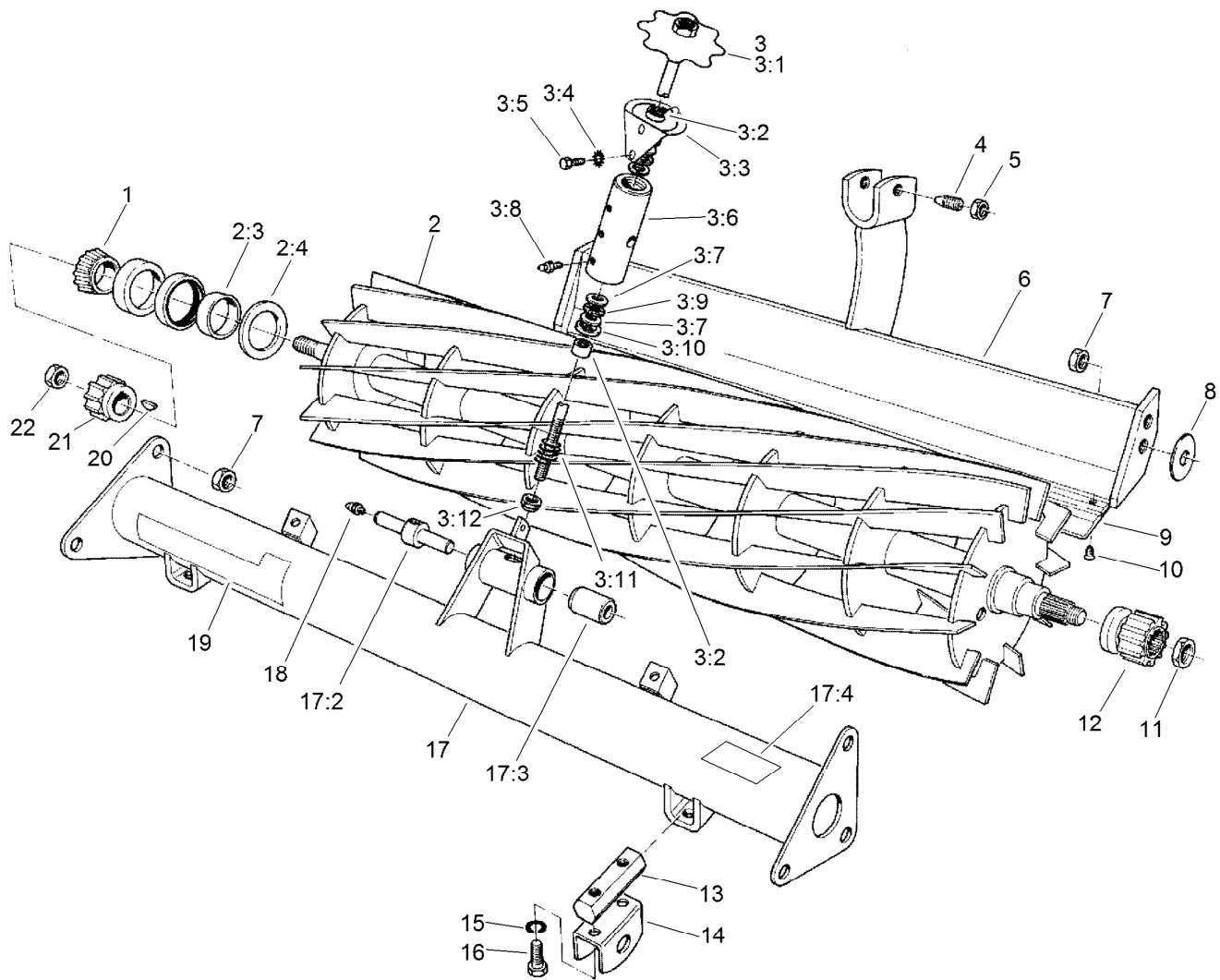
## Reference Numbers Indicating Quantity

In an illustration, if a reference number indicates more than one part, the reference number has the form nX y. The n represents the quantity of the part, the X is the multiplication symbol, and the y represents the reference number.

For example, in an illustration, the reference number 2X 37 means that two of the parts identified by reference number 37 are indicated.

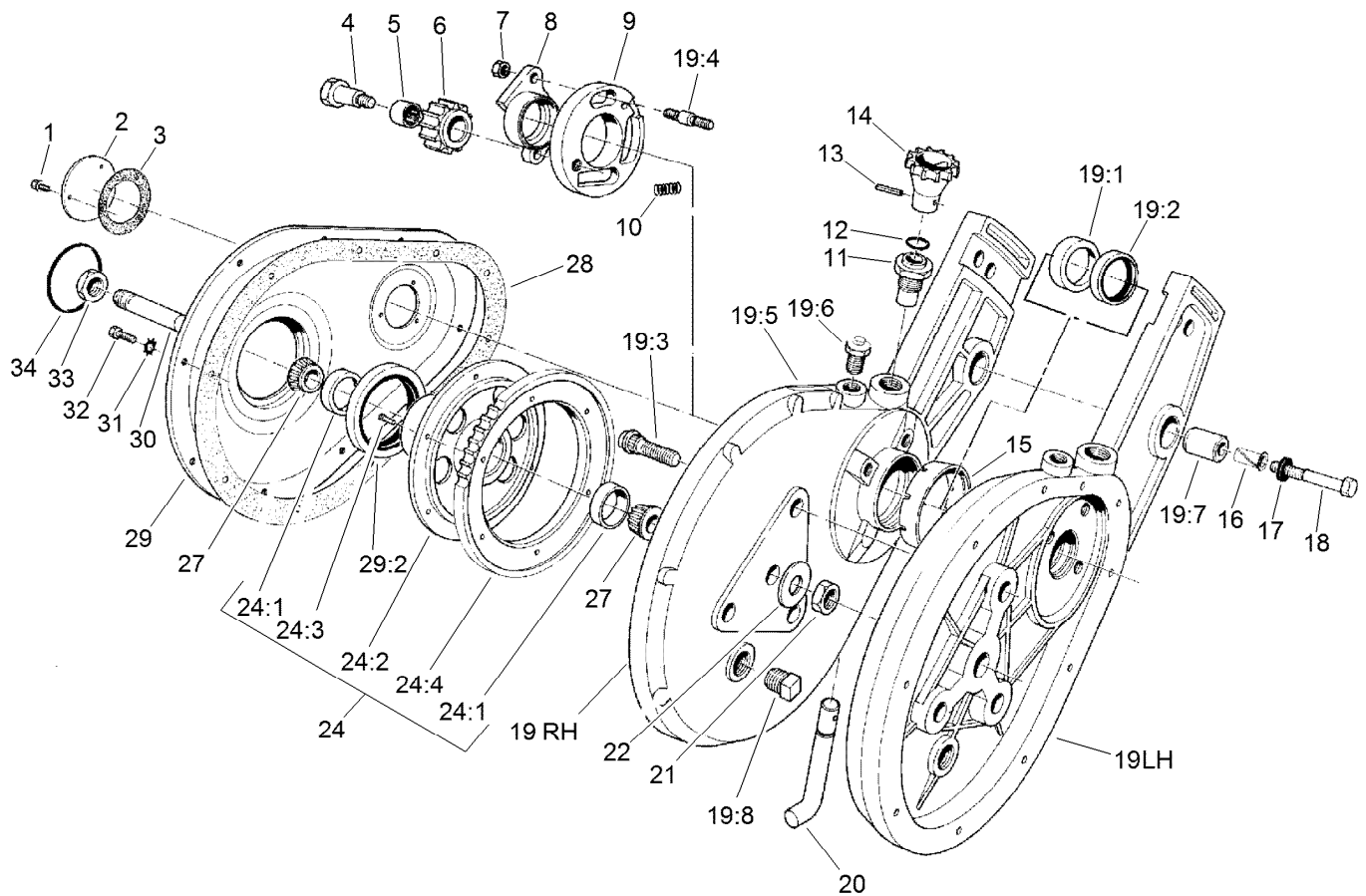
# Contents

- Reel and Bedbar Assembly ..... 4
- Gear Case Assembly ..... 5
- Roller and Bracket Assembly ..... 7
- Rear Roller Reelmaster Gang Mower Kit No. 100-4161 ..... 8
- Attachments and Accessories ..... 9



## Reel and Bedbar Assembly

Ref.	Part Number	Qty.	Description	Ref.	Part Number	Qty.	Description
1	254-94	2	Bearing-Cone, Tapered	6	47-4080-01	1	Bedbar
2	130-0071	1	8In Fairway, (30In) 7 Blade Reel ASM	7	3296-19	8	Nut-Hex
2:3	47-4250	2	Sleeve-Wear	8	47-4440	2	Washer-Plastic
2:4	47-4260	2	Slinger-Grass	9	49-7660-05	1	Bedknife-5 And 7 Blade
3	11-3849	1	Spa Assembly	10	119-4151	11	Screw-Bedknife
3:1	47-4300-01	1	Handle ASM	11	3296-57	1	Nut-Lock, NI
3:2	47-4420	2	Spacer-Sleeve, Adjustment	12	47-4490	1	Pinion-Reel
3:3	47-4400	1	Arm-Spring	13	47-4530	2	Retainer-Drawbar
3:4	3290-244	2	Washer-Lock	14	37-3490-01	2	Bracket-Drawbar
3:5	322-1	2	Screw-HH	15	3253-21	4	Washer-Lock
3:6	47-4410	1	Housing-Retainer	16	323-6	4	Screw-HH
3:7	257-5	4	Washer-Thrust	17	11-5069	1	Main Tube ASM
3:8	302-5	1	Fitting-Grease	17:2	47-4510	1	Shaft-Adjusting
3:9	257-6	2	Bearing-Thrust	17:3	68-7530	2	Bushing
3:10	253-84	2	Seal-Oil	17:4	137-9706	1	Decal-Warning
3:11	5-4373	1	Spring	18	302-5	1	Fitting-Grease
3:12	3296-62	1	Nut-Lock,NI	19	49-7570	1	Decal
4	57-5190	2	Screw-Set, HSH	20	3257-3	1	Key-Woodruff
5	3218-18	2	Nut-Jam	21	5-1463	1	Pinion-Reel
				22	3-8386	1	Nut-Pinion, Reel

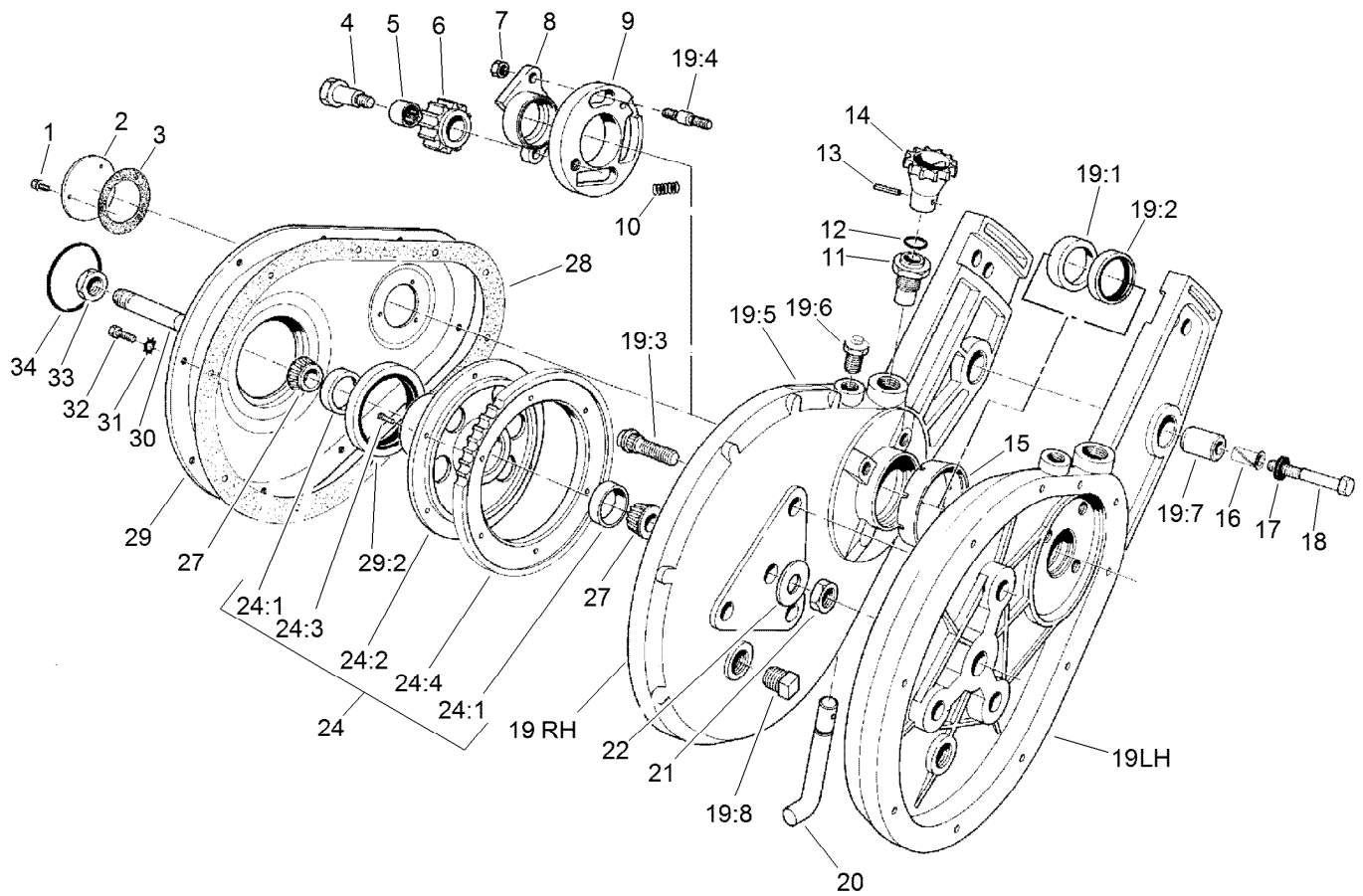


## Gear Case Assembly

Ref.	Part Number	Qty.	Description	Ref.	Part Number	Qty.	Description
1	11-8960	6	Fastener ASM	16	47-4430	2	Bushing-Flanged
2	5-1460	2	Cover-Pinon, Reel	17	47-5640	2	Spacer-Rubber
3	106-5408	2	Gasket-Cover	18	47-4450	1	Bolt-Shoulder ●
4	3-9116	1	Shaft-Idler Pinion, RH ●	18	47-4460	1	Bolt-Shoulder, Ecc
4	3-9117	1	Shaft-Idler Pinion, LH	19	11-5049	1	LH Gear Case ASM
5	252-6	2	Bearing-Needle	19	11-5059	1	RH Gear Case ASM
6	12-1190	2	Pinion-Idler	19:1	254-72	1	Bearing-Cup, Tapered
7	3296-6	6	Nut-Lock	19:2	105-0150	1	Seal-Grease
8	47-4470	1	Retainer-Ratchet Ring, RH	19:3	17-2520	3	Stud-Type, Drive
8	47-4480	1	Retainer-Ratchet Ring, LH ●	19:4	3-7445	3	Stud-Ring, Ratchet
9	3-4160	1	LH Idler Ring ASM ●	19:5	94-6304	1	Decal-Clutch, LH
9	3-4170	1	RH Idler Ring ASM	19:5	94-6305	1	Decal-Clutch, RH
10	95-1821	4	Spring-Compression	19:6	302-39	1	Fitting-Plug
11	3-3892	2	Bearing-Finger, Throwout	19:7	68-7530	1	Bushing
12	237-21	2	O-Ring	19:8	281-3	1	Plug-Pipe, SQH
13	3283-1	2	Pin-Grooved	20	3-3891	1	Finger-Throwout, LH
14	5-1464-03	2	Handle-Ratchet, Throwout	20	3-3904	1	Finger-Throwout, RH ●
15	68-9970	2	Guard-Seal	21	3219-10	2	Nut-Hex

● Not illustrated

■ Not serviced separately

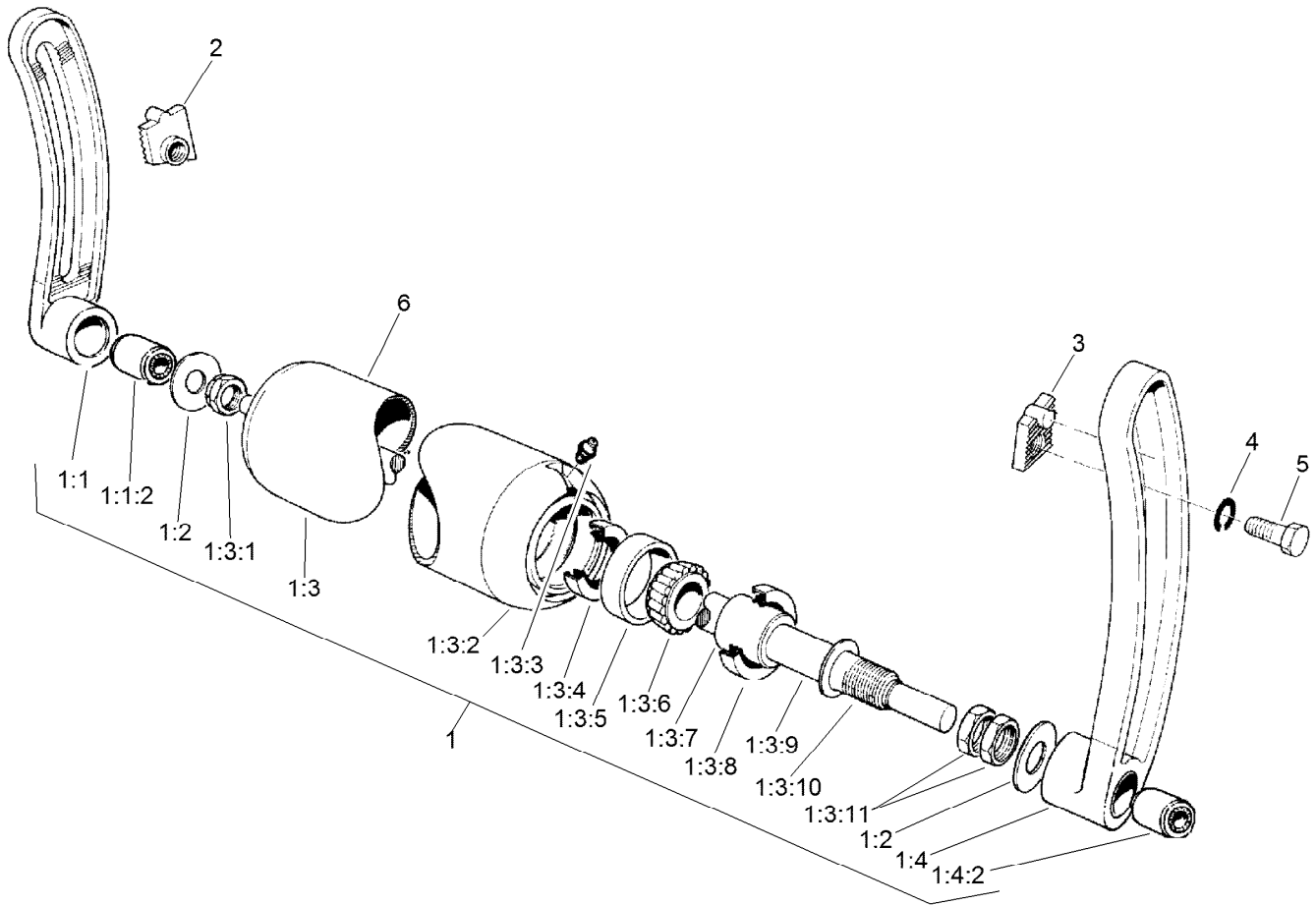


## Gear Case Assembly (continued)

<i>Ref.</i>	<i>Part Number</i>	<i>Qty.</i>	<i>Description</i>	<i>Ref.</i>	<i>Part Number</i>	<i>Qty.</i>	<i>Description</i>
22	3256-15	2	Washer-Flat	29	140-5509	2	ASM - Gearcase Cover
24	2-4599	2	Ring Gear And Hub ASM	29:2	84-8200	1	Seal-Oil
24:1	254-79	2	Bearing-Roller, Cup	30	49-4100	2	Shaft-Axle, Stub
24:2		1	Gear-Wheel, Drive ■	31	3254-17	20	Washer-Lock
24:3	3262-3	6	Rivet-Button Head	32	49-2040	20	Screw-HWHTF
24:4	95-1828	1	Hub-Gear, Ring	33	3296-15	2	Nut-Lock, NI
27	254-78	4	Bearing-Cone	34	237-38	2	O-Ring
28	106-5409	2	Gasket-Case, Gear				

● Not illustrated

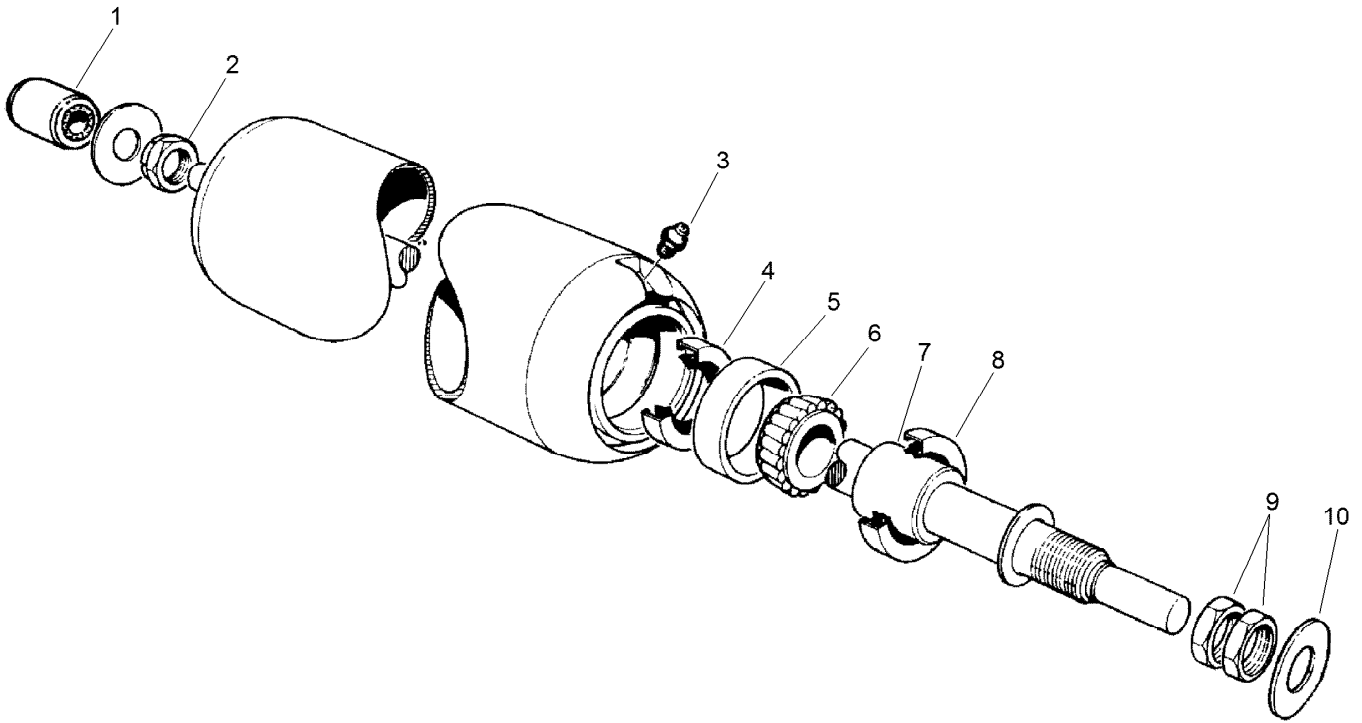
■ Not serviced separately



## Roller and Bracket Assembly

Ref.	Part Number	Qty.	Description	Ref.	Part Number	Qty.	Description
1		1	Roller And Bracket ASM ●	1:3:9	8-3980	1	Shaft-Roller
1:1	11-5089	1	RH Roller Bracket ASM	1:3:10	47-7510	2	Washer-Nylon
1:1:2	3-4010	1	Bushing ASM	1:3:11	3220-7	2	Nut-Jam
1:2	5-4527	2	Washer-Thrust	1:4	11-5079	1	LH Roller Bracket ASM
1:3	8-3990	1	Rear Roller ASM	1:4:2	3-4010	1	Bushing ASM
1:3:1	3296-15	1	Nut-Lock, NI	2	47-4380	1	Nut-Roller Adj, RH (Machining)
1:3:2	4-5189-01	1	Roller And End Cap ASM	3	47-4390	1	Nut-Roller Adj, LH (Machining)
1:3:3	302-5	2	Fitting-Grease	4	3253-7	2	Washer-Lock
1:3:4	253-122	2	Seal-Oil	5	325-7	2	Screw-HH
1:3:5	254-79	2	Bearing-Roller, Cup	6	100-4161	1	Rear Roller Reelmaster Gang Mower Kit
1:3:6	254-78	2	Bearing-Cone				
1:3:7	5-4523	2	Sleeve				
1:3:8	253-117	2	Seal-Oil				

● Not serviced separately



## Rear Roller Reelmaster Gang Mower Kit No. 100-4161

<i>Ref.</i>	<i>Part Number</i>	<i>Qty.</i>	<i>Description</i>
1	3-4010	2	Bushing ASM
2	3296-15	1	Nut-Lock, NI
3	302-5	2	Fitting-Grease
4	253-122	2	Seal-Oil
5	254-79	2	Bearing-Roller, Cup
6	254-78	2	Bearing-Cone
7	5-4523	2	Sleeve
8	253-117	2	Seal-Oil
9	3220-7	2	Nut-Jam
10	47-7510	2	Washer-Nylon

# Attachments and Accessories

## For 01007 Reelmaster 7-Blade Reel Mower

<b>Product Name</b>	<b>Model/Part</b>
18in Semi-Pneumatic Wheel Kit .....	01035
16in Semi-Pneumatic Wheel Kit .....	01304
16in Pneumatic Wheel Kit.....	01323
16in Steel Wheel Kit .....	01336
Reelmaster 5, 7 and 11-Blade Reel Mower Overhaul Kit.....	13-3629
Angle Indicator.....	131-6828
Angle Indicator Mount.....	131-6829
Tire-2 Ply, Stud Tread .....	231-3
Roller Scraper Kit.....	47-4540
Grass Dispersion Shield .....	47-5390
7in Reel Bedknife-Service .....	47-6680
8in Reel Bedknife-Service .....	49-7660
Reel Bearing Puller.....	49-8060
Reelmaster Mower Compliance Kit.....	94-5327

**Notes:**

**Notes:**



**Count on it.**