



Count on it.

Parts Catalog

**Greensmaster® Flex™ 1021
Traction Unit**

Model No. 04860—Serial No. 40000000 and Up



Ordering Replacement Parts

To order replacement parts, please supply the part number, the quantity, and the description of each part desired.

Understanding Reference Numbers

Each identified part in an illustration has a reference number. The reference number for a part also appears in the parts list, along with other information about the part.

This catalog uses two special reference number formats, one to indicate parts in a service assembly and another to indicate the quantity of a given part in an illustration.

Service Assembly Reference Numbers

Parts in service assemblies have reference numbers in the form a:b. The a represents the reference number of the entire service assembly and the b represents a sequential number unique to each part within the service assembly.

For example, a wheel assembly might be identified by reference number 6, the tire by 6:1, the valve by 6:2, and the wheel by 6:3. When you order the assembly identified by reference number 6, you receive all parts identified by reference numbers 6:1, 6:2, and 6:3. However, you may also order any part individually. Reference numbers of this type appear in illustration and in parts lists.

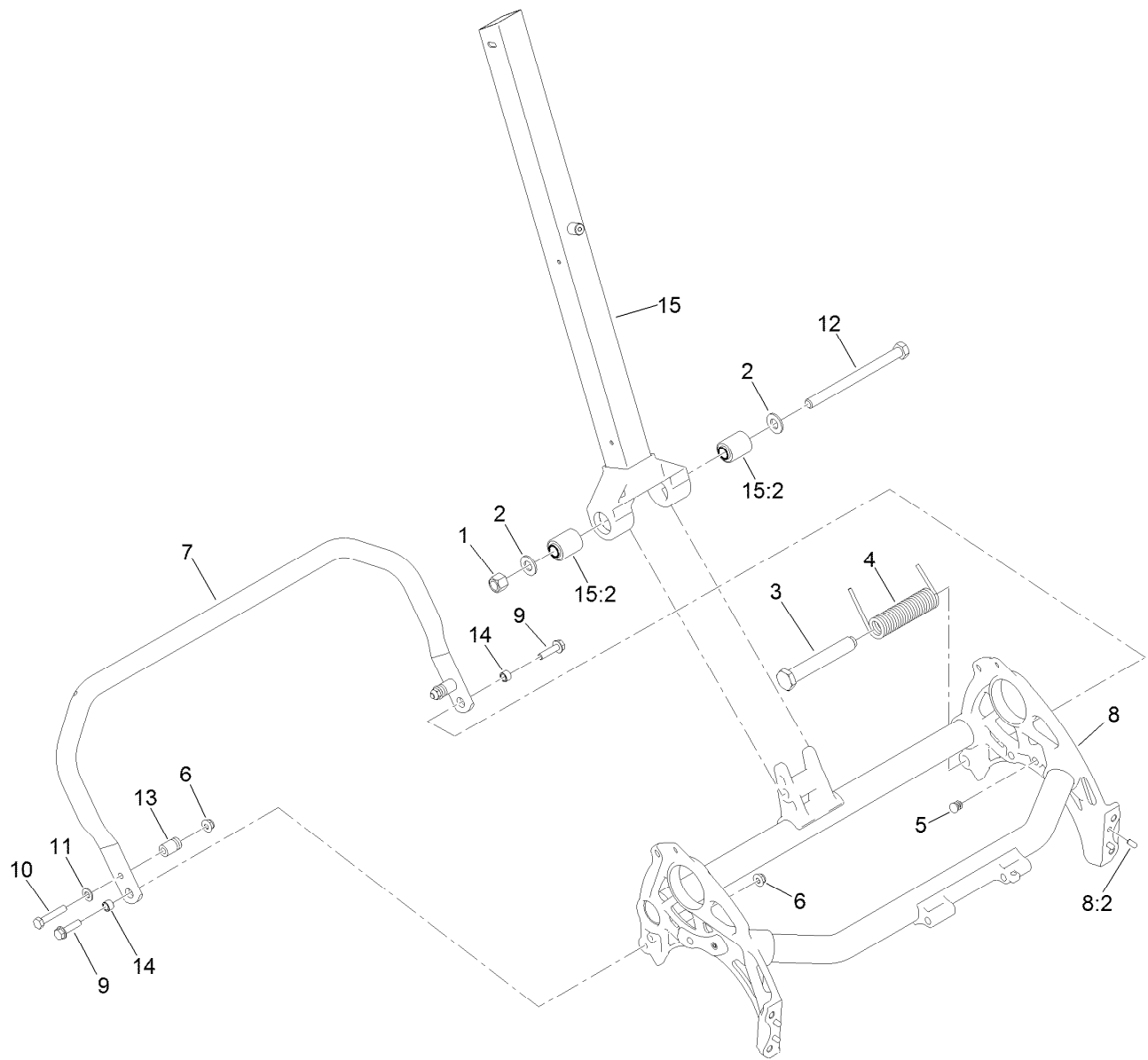
Reference Numbers Indicating Quantity

In an illustration, if a reference number indicates more than one part, the reference number has the form nX y. The n represents the quantity of the part, the X is the multiplication symbol, and the y represents the reference number.

For example, in an illustration, the reference number 2X 37 means that two of the parts identified by reference number 37 are indicated.

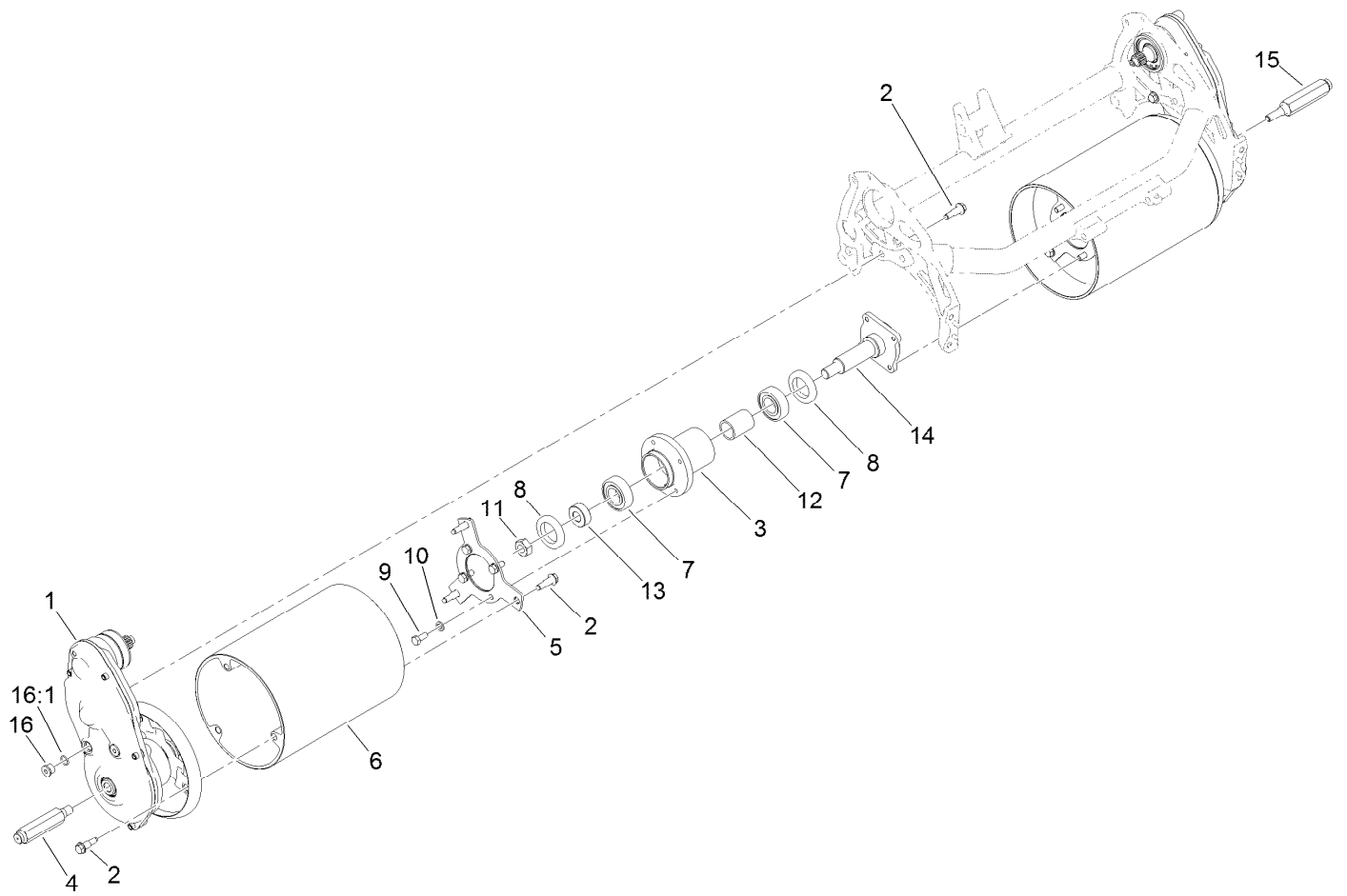
Contents

| | |
|---|----|
| Frame and Handle Mount Assembly | 4 |
| Drum Drive Assembly | 5 |
| Drum Drive Gearbox Assembly No. 132-4566 | 6 |
| Drive Shaft and Reel Components Assembly | 7 |
| Transmission and Engine Assembly | 8 |
| Engine Assembly No. 138-2142 | 10 |
| Transmission Gearbox Assembly No. 130-6820 Transmission Case Assembly | 11 |
| Transmission Gearbox Assembly No. 130-6820 Reel Drive Assembly | 12 |
| Transmission Gearbox Assembly No. 130-6820 Traction Drive Assembly | 13 |
| Differential Assembly No. 132-4555 | 14 |
| Frame Assembly..... | 15 |
| Grass Basket Assembly | 16 |
| Reel Controls and Covers Assembly..... | 17 |
| Upper Handle Assembly | 18 |
| Traction Bail Assembly | 19 |
| CE Decal | 20 |
| Attachments and Accessories | 21 |



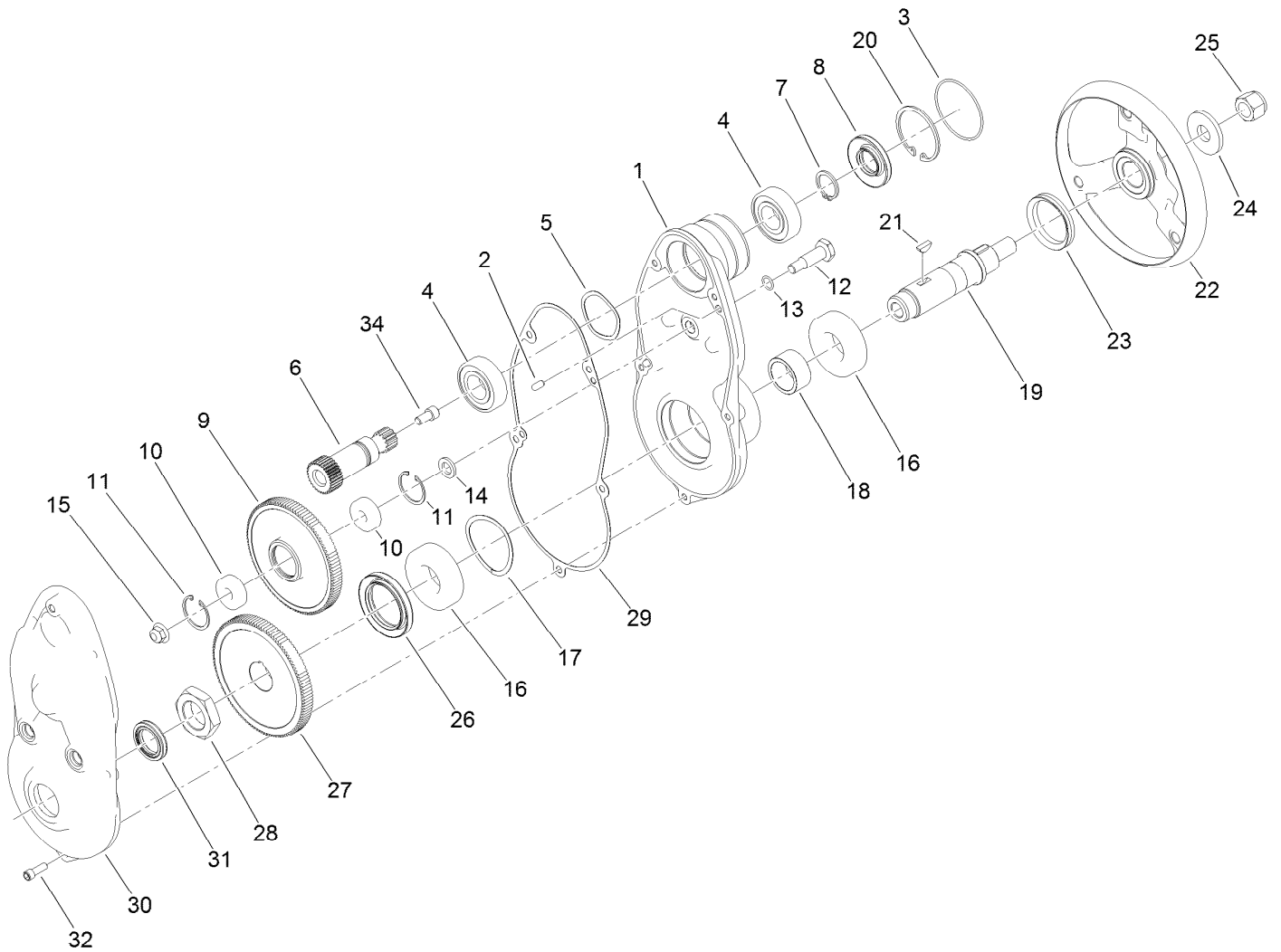
Frame and Handle Mount Assembly

| <i>Ref.</i> | <i>Part Number</i> | <i>Qty.</i> | <i>Description</i> | <i>Ref.</i> | <i>Part Number</i> | <i>Qty.</i> | <i>Description</i> |
|-------------|--------------------|-------------|--------------------|-------------|--------------------|-------------|--------------------|
| 1 | 3296-23 | 1 | Nut-Lock, NI | 9 | 112-6913 | 2 | Screw-HHF |
| 2 | 3256-26 | 2 | Washer-Flat | 10 | 322-9 | 2 | Screw-HH |
| 3 | 138-1510 | 1 | Pin-Mount, Spring | 11 | 3256-23 | 2 | Washer-Plain |
| 4 | 138-1459 | 1 | Spring-Torsion, LH | 12 | 325-33 | 1 | Screw-HH |
| 5 | 139-4326 | 2 | Plug-Plastic | 13 | 65-7900 | 2 | Retainer-Spring |
| 6 | 119-4041 | 3 | Nut-HF | 14 | 65-7910 | 2 | Spacer |
| 7 | 133-9113-03 | 1 | Kickstand-21 Inch | 15 | 137-0292 | 1 | Lower Handle ASM |
| 8 | 138-1647 | 1 | 21 Inch Frame ASM | 15:2 | 138-1469 | 2 | Bushing-Straight |
| 8:2 | 95-0715 | 4 | Pin-Dowel | | | | |



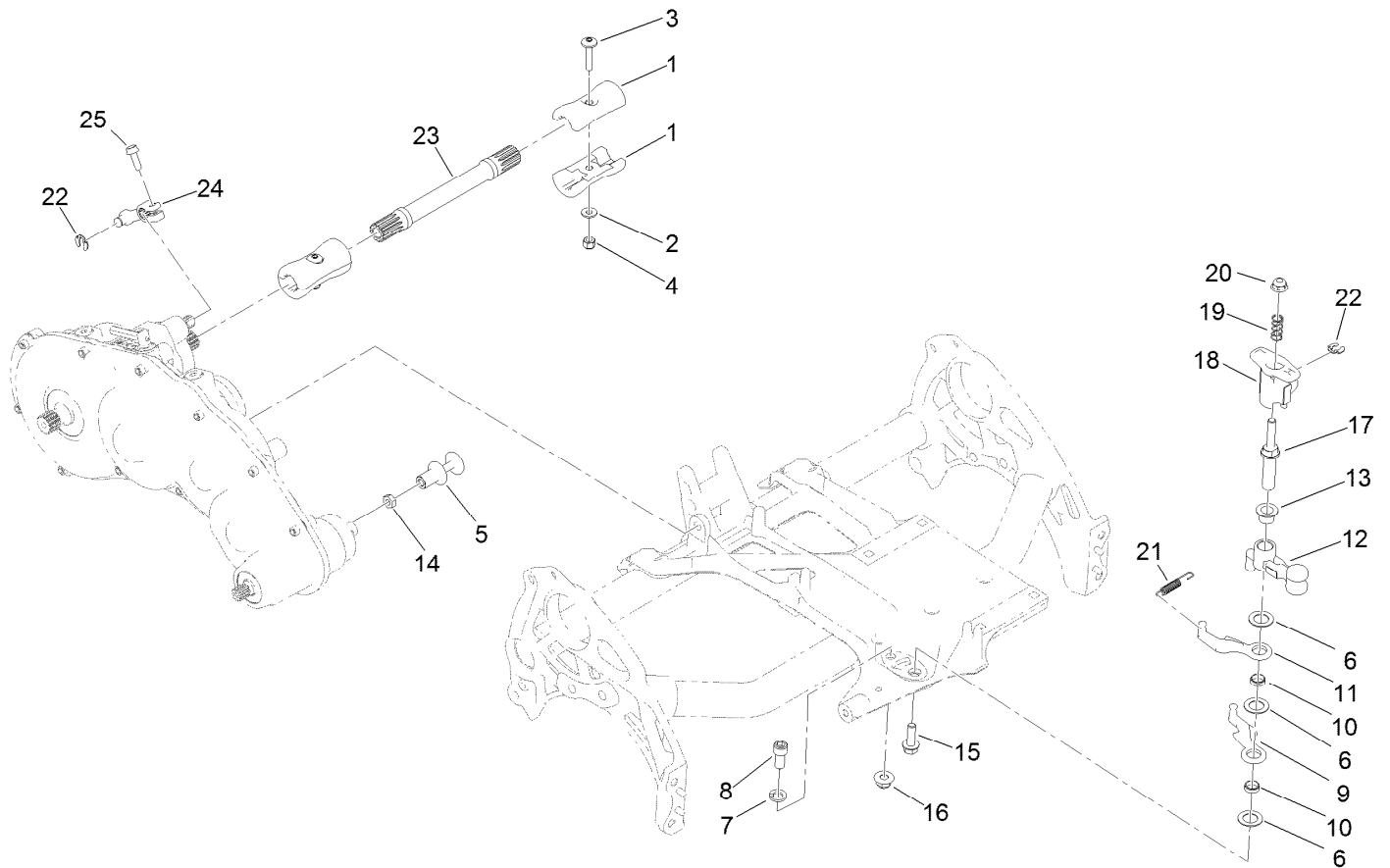
Drum Drive Assembly

| <i>Ref.</i> | <i>Part Number</i> | <i>Qty.</i> | <i>Description</i> | <i>Ref.</i> | <i>Part Number</i> | <i>Qty.</i> | <i>Description</i> |
|-------------|--------------------|-------------|-------------------------|-------------|--------------------|-------------|--------------------|
| 1 | 132-4566 | 2 | Drum Drive Gear Box ASM | 10 | 3253-4 | 8 | Washer-Lock |
| 2 | 132-4607 | 14 | Bolt-Shoulder, Flange | 11 | 3296-33 | 1 | Nut-Lock, NI |
| 3 | 132-6971 | 1 | Hub-Drum | 12 | 65-6520 | 1 | Spacer |
| 4 | 132-4605 | 1 | Shaft-Hex, RH | 13 | 65-6530 | 1 | Spacer |
| 5 | 133-9240-0P | 2 | Plate-Drum, Hub | 14 | 94-5850 | 1 | Spindle-Drum |
| 6 | 139-4362 | 2 | Drum-Traction, Flex | 15 | 132-4606 | 1 | Shaft-Hex, LH |
| 7 | 251-82 | 2 | Bearing-Ball | 16 | 353-989 | 4 | Plug-Hex, Hollow |
| 8 | 253-159 | 2 | Seal | 16:1 | 237-42 | 1 | O-Ring |
| 9 | 322-3 | 8 | Screw-HH | | | | |



Drum Drive Gearbox Assembly No. 132-4566

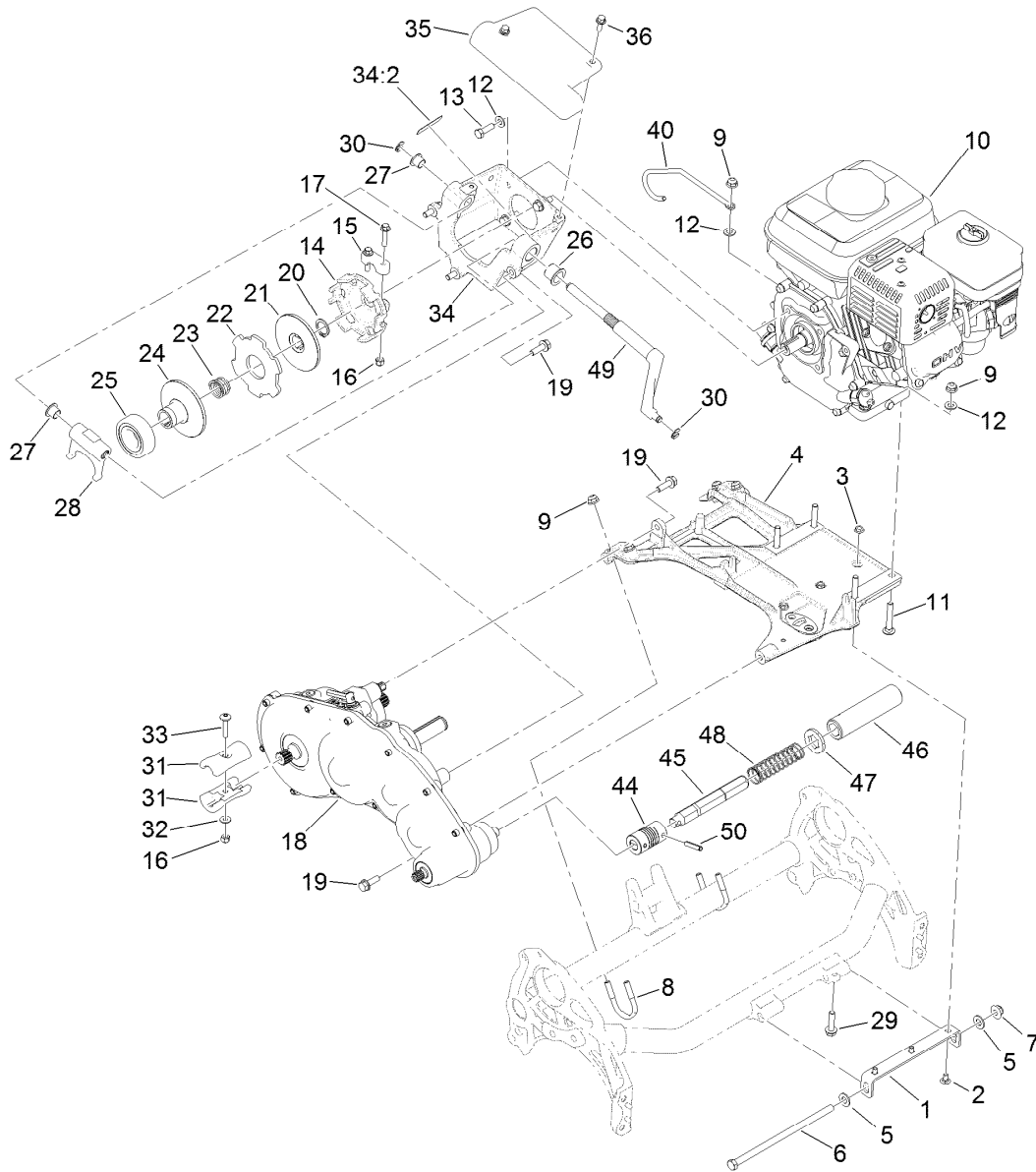
| <i>Ref.</i> | <i>Part Number</i> | <i>Qty.</i> | <i>Description</i> | <i>Ref.</i> | <i>Part Number</i> | <i>Qty.</i> | <i>Description</i> |
|-------------|--------------------|-------------|----------------------------|-------------|--------------------|-------------|----------------------------|
| 1 | 137-0282 | 1 | Housing-Drive, Drum | 17 | 115-5258 | 1 | Spring-Wire, Flat |
| 2 | 133-4591 | 2 | Pin-Dowel | 18 | 132-4568 | 1 | Spacer |
| 3 | 133-9082 | 1 | O-Ring | 19 | 133-4562 | 1 | Shaft-Drum, Drive |
| 4 | 251-82 | 2 | Bearing-Ball | 20 | 138-1480 | 1 | Ring-Retaining, Int (52Mm) |
| 5 | 3290-485 | 1 | Washer-Wave | 21 | 138-1504 | 2 | Key-Woodruff, 5Mm |
| 6 | 132-4565 | 1 | Gear-Spur, 30T | 22 | 133-9244 | 1 | Hub-Drum, Outer |
| 7 | 138-1507 | 1 | Ring-Retaining, EXT (25Mm) | 23 | 253-161 | 1 | Seal-V-Ring |
| 8 | 138-1491 | 1 | Seal-Oil | 24 | 104-9216 | 1 | Washer-Hardened |
| 9 | 137-0274 | 1 | Gear-Spur, 108T | 25 | 126-3841 | 1 | Nut-Hex, NI |
| 10 | 49-2410 | 2 | Bearing-Ball | 26 | 138-1490 | 1 | Seal-Oil |
| 11 | 138-1506 | 2 | Ring-Retaining, Int (32Mm) | 27 | 137-0275 | 1 | Gear-Spur, 114T |
| 12 | 133-4558 | 1 | Pin-Bearing, Short | 28 | 133-9078 | 1 | Nut-Hex |
| 13 | 80-8460 | 1 | O-Ring | 29 | 132-4569 | 1 | Gasket-Drive, Drum |
| 14 | 133-4553 | 1 | Spacer-Bearing | 30 | 137-0284 | 1 | Cover-Drive, Drum |
| 15 | 119-4042 | 1 | Nut-HF, NI | 31 | 133-4559 | 1 | Seal-Oil |
| 16 | 251-312 | 2 | Bearing-Ball | 32 | 3274-8 | 5 | Screw-HSH |
| | | | | 34 | 3274-12 | 1 | Screw-HSH |



Drive Shaft and Reel Components Assembly

| Ref. | Part Number | Qty. | Description |
|------|-------------|------|--------------------------|
| 1 | 133-9100 | 4 | Coupler-Splined, 4 Tooth |
| 2 | 119-8952 | 2 | Washer |
| 3 | 126-8232 | 2 | Screw-Truss |
| 4 | 3296-42 | 2 | Nut-Lock, NI |
| 5 | 133-9207 | 1 | Adapter-Slider |
| 6 | 139-7362 | 3 | Washer-Poly |
| 7 | 3253-21 | 1 | Washer-Lock |
| 8 | 131-8573 | 1 | Screw-HSH |
| 9 | 138-1523 | 1 | Reel Lever |
| 10 | 133-9226 | 2 | Bushing-Straight |
| 11 | 138-1524 | 1 | Lever-Reel |
| 12 | 133-9206 | 1 | Bellcrank-Reel |
| 13 | 125-5239 | 1 | Bushing-Flange |

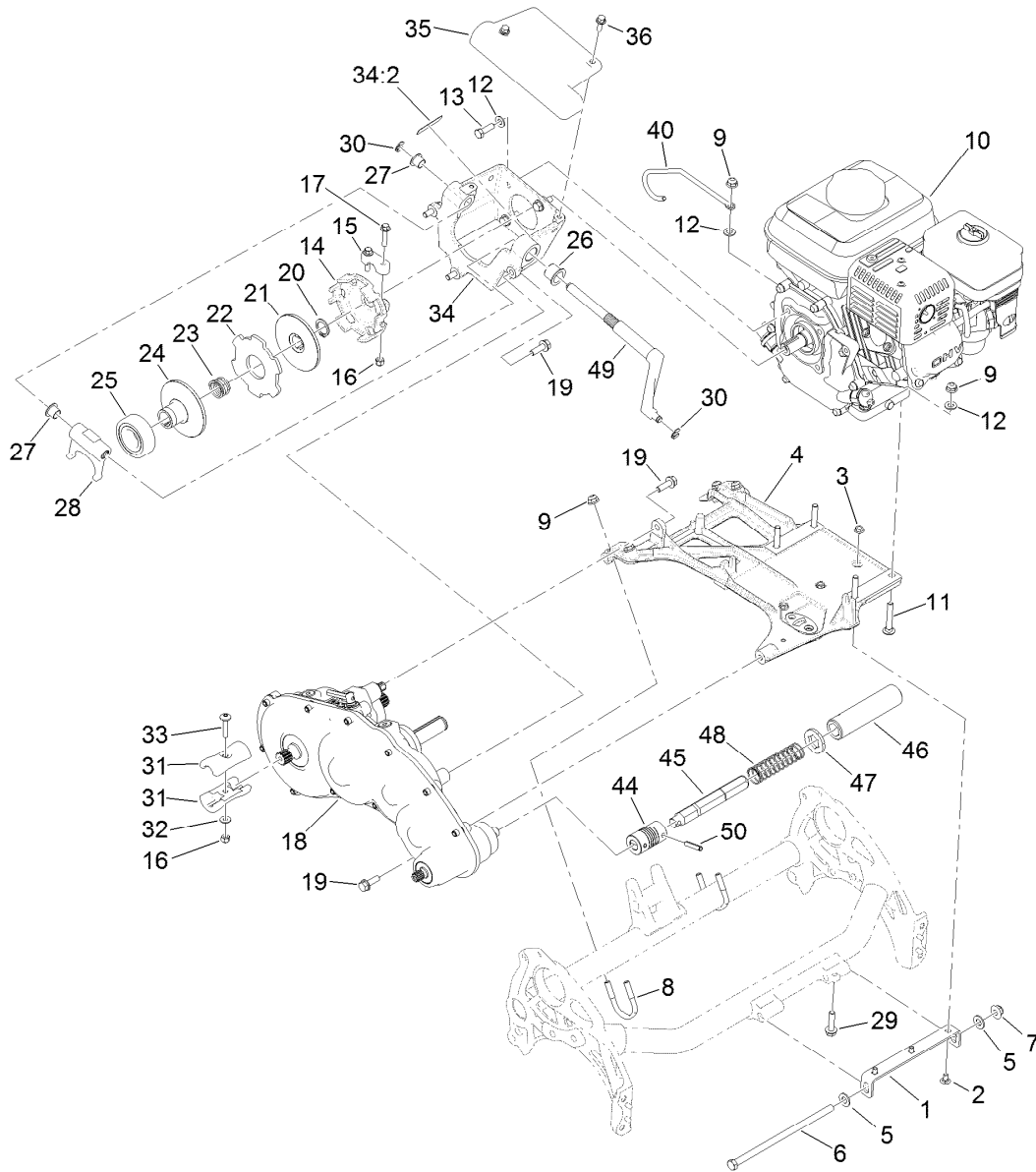
| Ref. | Part Number | Qty. | Description |
|------|-------------|------|----------------------|
| 14 | 120-9638 | 1 | Nut-Jam |
| 15 | 115-5142 | 1 | Screw-HHF |
| 16 | 119-4042 | 1 | Nut-HF, NI |
| 17 | 137-0298 | 1 | Shaft-Selector, Reel |
| 18 | 137-0299 | 1 | Hub-Selector, Reel |
| 19 | 117-1031 | 1 | Spring-Compression |
| 20 | 119-4041 | 1 | Nut-HF |
| 21 | 119-4609 | 1 | Spring-Extension |
| 22 | 32151-47 | 2 | Ring-Retaining |
| 23 | 133-9208 | 1 | Shaft-Drive |
| 24 | 133-9117 | 1 | Lever-Brake, Cable |
| 25 | 131-6150 | 1 | Screw-HWHTF |



Transmission and Engine Assembly

| Ref. | Part Number | Qty. | Description | Ref. | Part Number | Qty. | Description |
|------|-------------|------|---------------------------------------|------|-------------|------|-------------------------------|
| 1 | 138-1623-01 | 1 | Bracket-Mount, Engine | 18 | 130-6820 | 1 | Transmission Gear Box ASM |
| 2 | 116-5611 | 3 | Bolt-CARRIAGE 1/4-20 X 1/2 Short Neck | 19 | 115-5142 | 5 | Screw-HHF |
| 3 | 32128-10 | 3 | Nut-Lock, HHF | 20 | 32151-33 | 1 | Ring-Retaining, EXT |
| 4 | 138-5517 | 1 | Base-Engine | 21 | 133-9095 | 1 | Disc-Clutch |
| 5 | 3256-24 | 2 | Washer-Flat | 22 | 133-9094 | 1 | Plate-Friction |
| 6 | 323-30 | 1 | Screw-HH | 23 | 133-9123 | 1 | Spring-Compression, Clutch |
| 7 | 119-4042 | 1 | Nut-HF, NI | 24 | 138-1508 | 1 | Disc-Clutch, Slider |
| 8 | 137-0301 | 2 | Clamp-Tube | 25 | 138-1505 | 1 | Bearing-Sealed, Self Aligning |
| 9 | 119-4041 | 8 | Nut-HF | 26 | 132-4089 | 1 | Bushing |
| 10 | 138-2142 | 1 | Engine ASM ● | 27 | 125-5239 | 2 | Bushing-Flange |
| 11 | 3230-6 | 4 | Bolt-CARR | 28 | 138-3548 | 1 | Fork-Clutch |
| 12 | 3256-23 | 8 | Washer-Plain | 29 | 112-6913 | 1 | Screw-HHF |
| 13 | 131-5919 | 4 | Screw-HH, Patch | 30 | 32151-47 | 2 | Ring-Retaining |
| 14 | 138-3542 | 1 | Hub-Clutch, External | 31 | 133-9100 | 2 | Coupler-Splined, 4 Tooth |
| 15 | 138-5522 | 1 | Clamp-Hub, Clutch | 32 | 119-8952 | 1 | Washer |
| 16 | 3296-42 | 3 | Nut-Lock, NI | 33 | 126-8232 | 1 | Screw-Truss |
| 17 | 127-8639 | 2 | Screw-HHF | | | | |

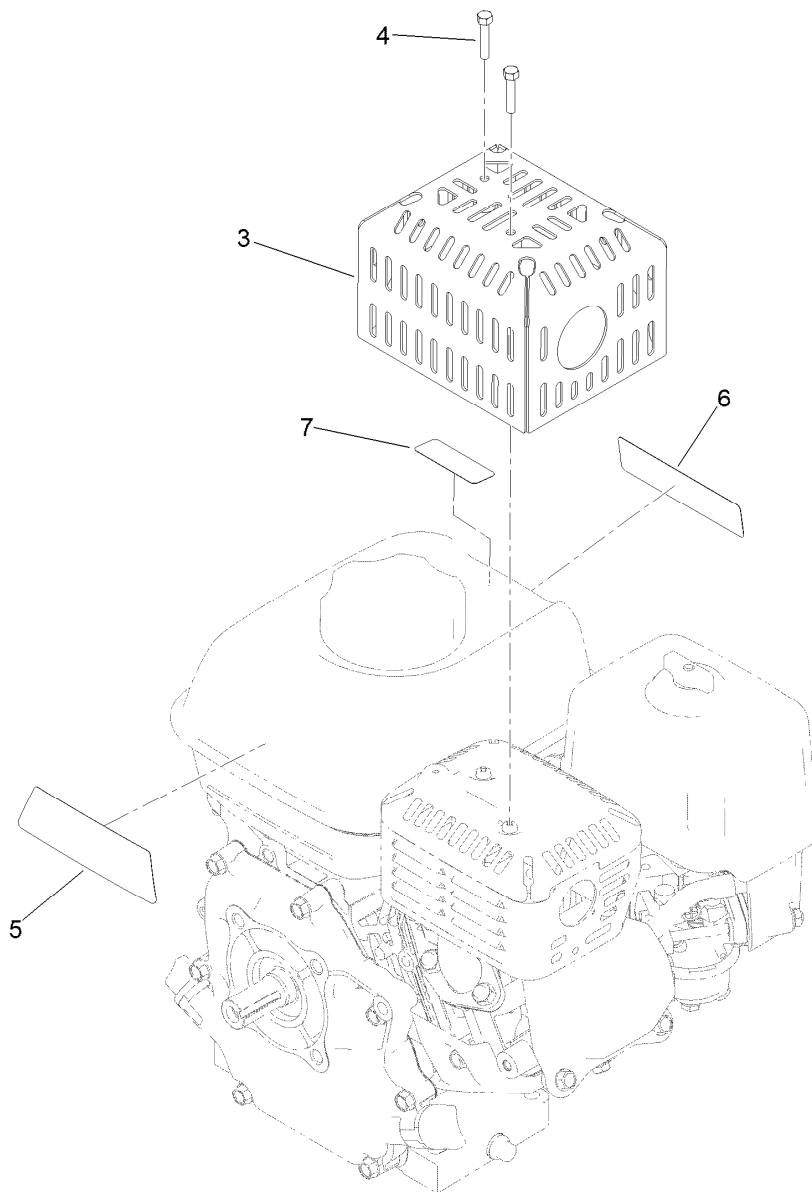
● Obtain parts from www.honda-engines.com



Transmission and Engine Assembly (continued)

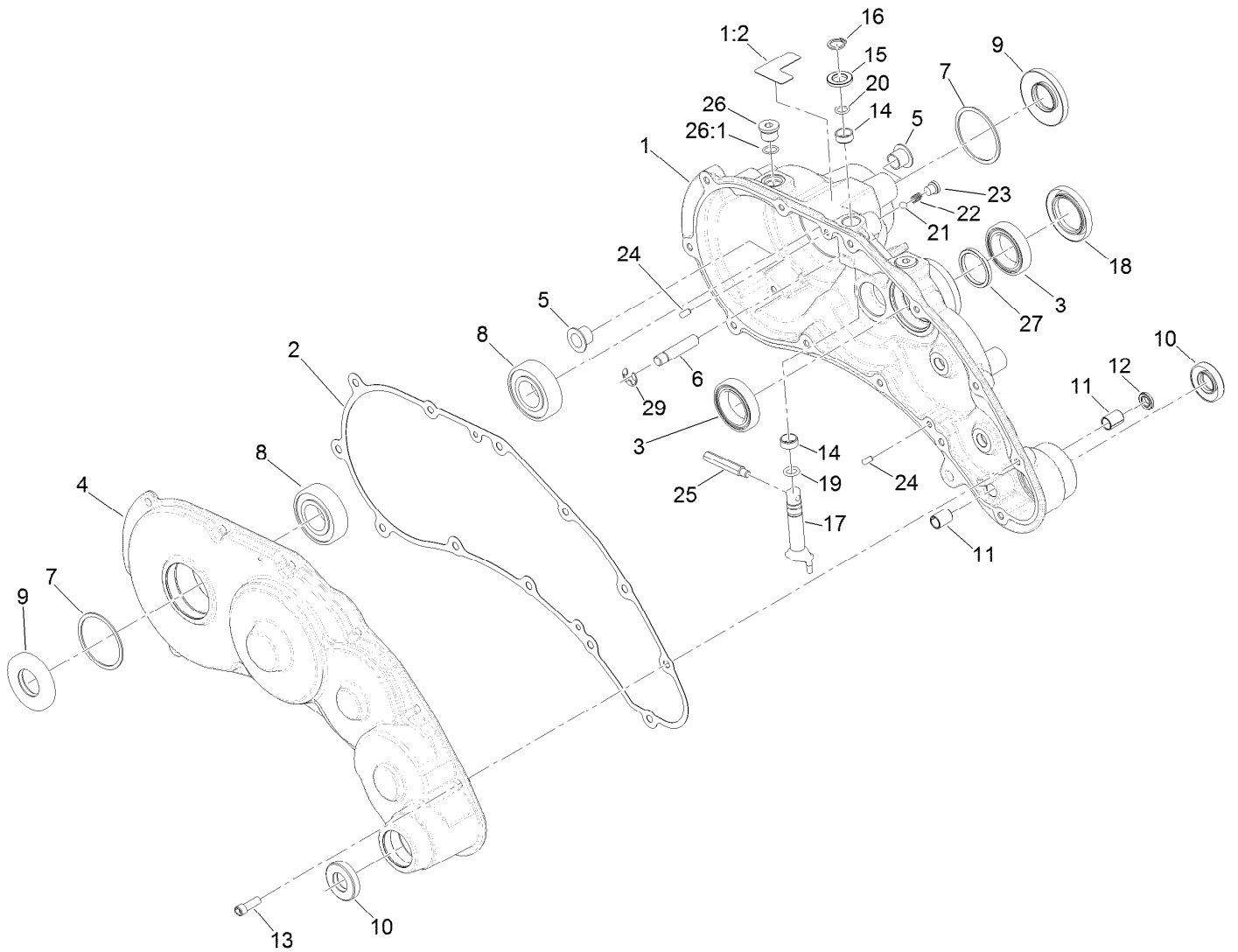
| <i>Ref.</i> | <i>Part Number</i> | <i>Qty.</i> | <i>Description</i> | <i>Ref.</i> | <i>Part Number</i> | <i>Qty.</i> | <i>Description</i> |
|-------------|--------------------|-------------|--------------------|-------------|--------------------|-------------|--------------------|
| 34 | 139-4301 | 1 | Bell Housing ASM | 45 | 139-7379 | 1 | Shaft-Coupler |
| 34:2 | 120-9570 | 1 | Decal-Warning | 46 | 110-2390 | 1 | Tube-Hex |
| 35 | 138-5545 | 1 | Cover-Clutch | 47 | 139-7391 | 1 | Collar-Lock |
| 36 | 120-9678 | 2 | Screw-HHF | 48 | 139-7390 | 1 | Spring-Compression |
| 40 | 139-4309 | 1 | Guide-Cable | 49 | 138-3549 | 1 | Shaft-Fork |
| 44 | 133-2341 | 1 | Coupling-Helical | 50 | 125-3542 | 2 | Pin-Spring |

● Obtain parts from www.honda-engines.com



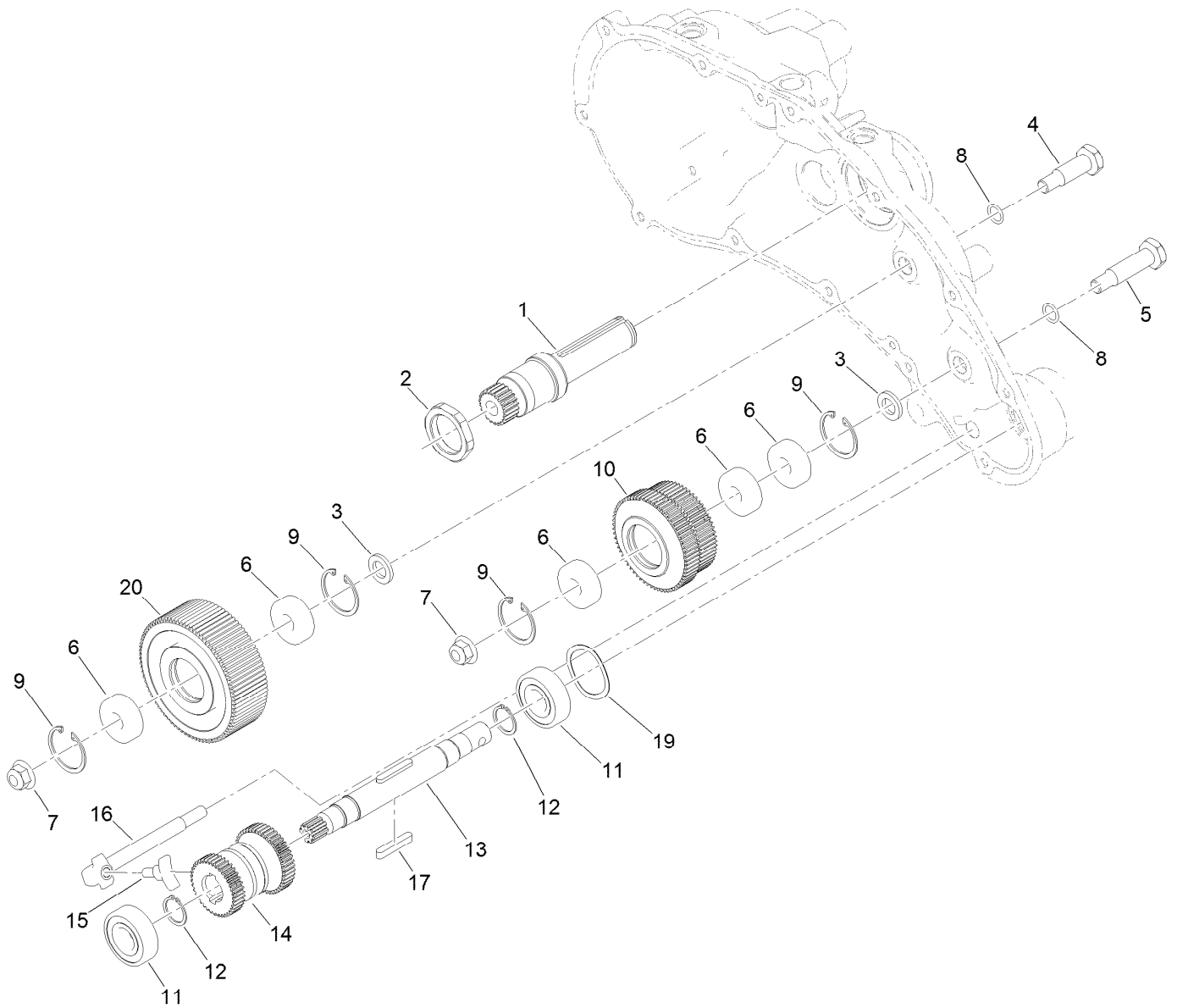
Engine Assembly No. 138-2142

| <i>Ref.</i> | <i>Part Number</i> | <i>Qty.</i> | <i>Description</i> |
|-------------|--------------------|-------------|------------------------|
| 3 | 138-2128-03 | 1 | Guard-Muffler |
| 4 | 87-5150 | 2 | Screw-HH |
| 5 | 138-2138 | 1 | Decal-Warning, Engine |
| 6 | 133-8062 | 1 | Decal-Arrestor, Spark |
| 7 | 130-8322 | 1 | Decal-Warning, Ethanol |



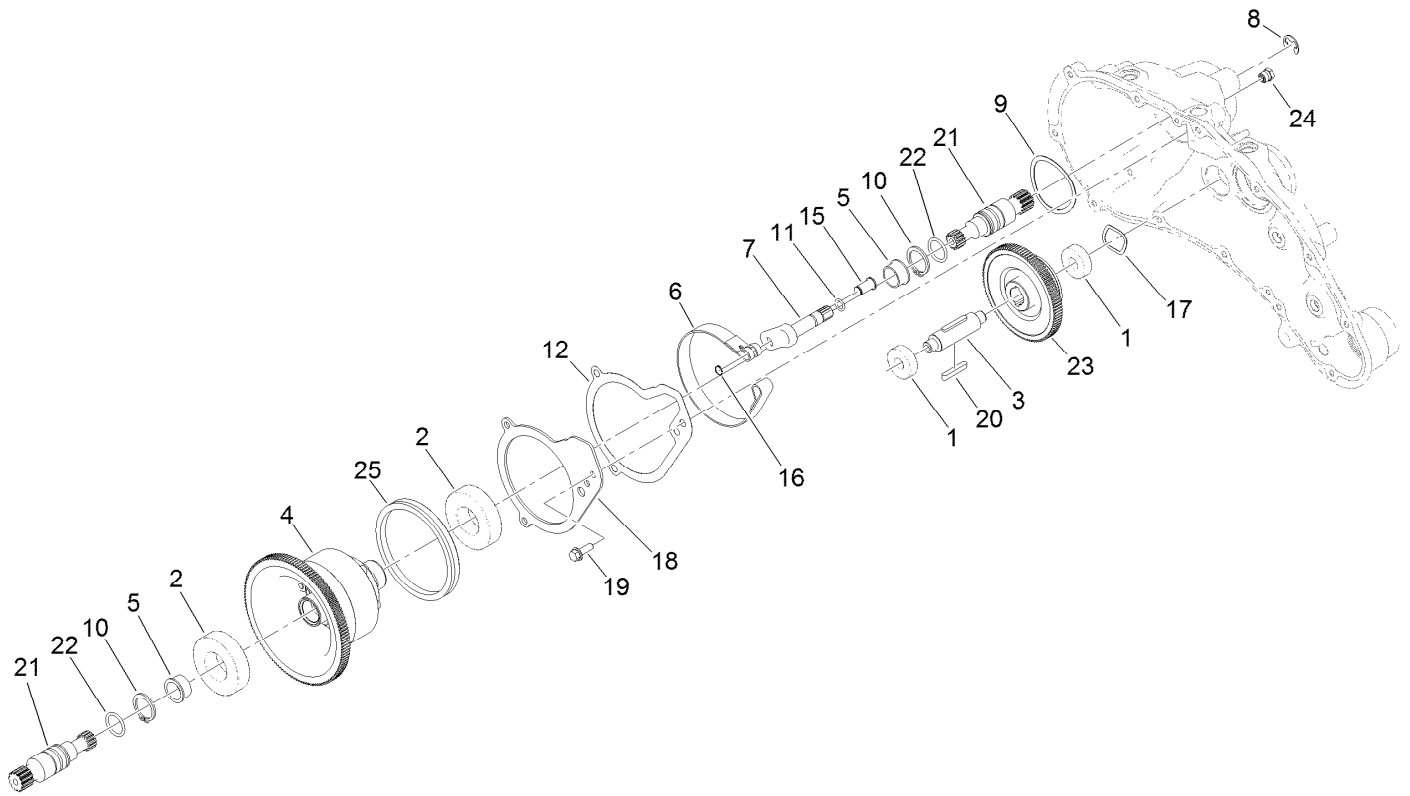
Transmission Gearbox Assembly No. 130-6820 Transmission Case Assembly

| <i>Ref.</i> | <i>Part Number</i> | <i>Qty.</i> | <i>Description</i> | <i>Ref.</i> | <i>Part Number</i> | <i>Qty.</i> | <i>Description</i> |
|-------------|--------------------|-------------|--------------------------|-------------|--------------------|-------------|--------------------------|
| 1 | 139-4306 | 1 | Transmission Housing ASM | 15 | 108-5059 | 1 | Spacer-Bushing |
| 1:2 | 138-1644 | 1 | Decal-Release, Traction | 16 | 32151-61 | 1 | Ring-Retaining |
| 2 | 132-4551 | 1 | Gasket-Transmission | 17 | 130-6816 | 1 | Shaft-Selector, Traction |
| 3 | 121-9281 | 2 | Bearing-Ball | 18 | 116-5647 | 1 | Seal-Grease |
| 4 | 138-1603 | 1 | Transmission Cover ASM | 19 | 131-1879 | 1 | O-Ring Seal |
| 5 | 125-5239 | 2 | Bushing-Flange | 20 | 237-22 | 1 | O-Ring |
| 6 | 133-9122 | 1 | Pin-Mount, Brake | 21 | 105-2442 | 1 | Ball-Detent |
| 7 | 32151-92 | 2 | Ring-Retaining | 22 | 105-2443 | 1 | Spring-Detent |
| 8 | 251-82 | 2 | Bearing-Ball | 23 | 131-1825 | 1 | Plug-ORB |
| 9 | 133-9075 | 2 | Seal-Oil | 24 | 121-9249 | 2 | Pin-Dowel |
| 10 | 130-9463 | 2 | Seal-Oil | 25 | 133-9149 | 1 | Pin-Groomer |
| 11 | 131-3038 | 2 | Bushing-Sleeve | 26 | 353-989 | 2 | Plug-Hex, Hollow |
| 12 | 131-3126 | 1 | Seal-Oil | 26:1 | 237-42 | 1 | O-Ring |
| 13 | 3274-8 | 12 | Screw-HSH | 27 | 138-1496 | 1 | Spacer |
| 14 | 121-4738 | 2 | Bushing-Straight | 29 | 105-7004 | 1 | E-Ring |



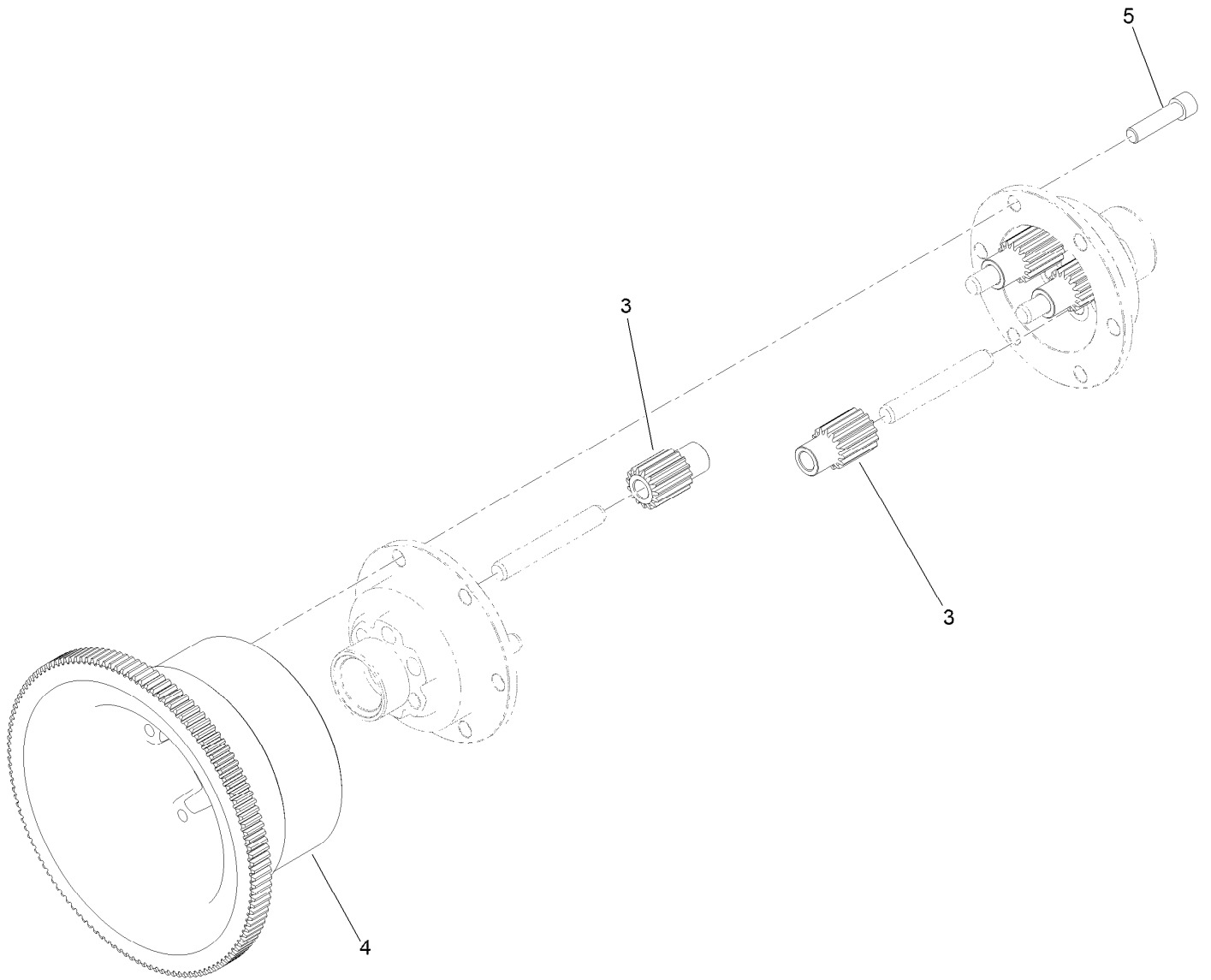
Transmission Gearbox Assembly No. 130-6820 Reel Drive Assembly

| <i>Ref.</i> | <i>Part Number</i> | <i>Qty.</i> | <i>Description</i> | <i>Ref.</i> | <i>Part Number</i> | <i>Qty.</i> | <i>Description</i> |
|-------------|--------------------|-------------|----------------------------|-------------|--------------------|-------------|----------------------------|
| 1 | 138-1509 | 1 | Shaft-Input, 22T | 11 | 38-7820 | 2 | Bearing-Ball |
| 2 | 138-1495 | 1 | Nut-Lock, Thin | 12 | 138-1629 | 2 | Ring-Retaining, EXT (17Mm) |
| 3 | 133-4553 | 2 | Spacer-Bearing | 13 | 139-4359 | 1 | Shaft-Drive, Reel |
| 4 | 133-4558 | 1 | Pin-Bearing, Short | 14 | 130-6834 | 1 | Gear-Spur, Slider |
| 5 | 133-4557 | 1 | Pin-Bearing, Long | 15 | 133-9120 | 1 | Shoe-Clutch, Reel |
| 6 | 49-2410 | 5 | Bearing-Ball | 16 | 133-9121 | 1 | Actuator-Clutch, Reel |
| 7 | 104-8301 | 2 | Nut-HF, NI | 17 | 103-2739 | 2 | Key |
| 8 | 80-8460 | 2 | O-Ring | 19 | 131-3170 | 1 | Spring-Wave |
| 9 | 138-1506 | 4 | Ring-Retaining, Int (32Mm) | 20 | 137-0273 | 1 | Gear-Spur, 85T |
| 10 | 137-0272 | 1 | Gear-Spur, 60T/65T | | | | |



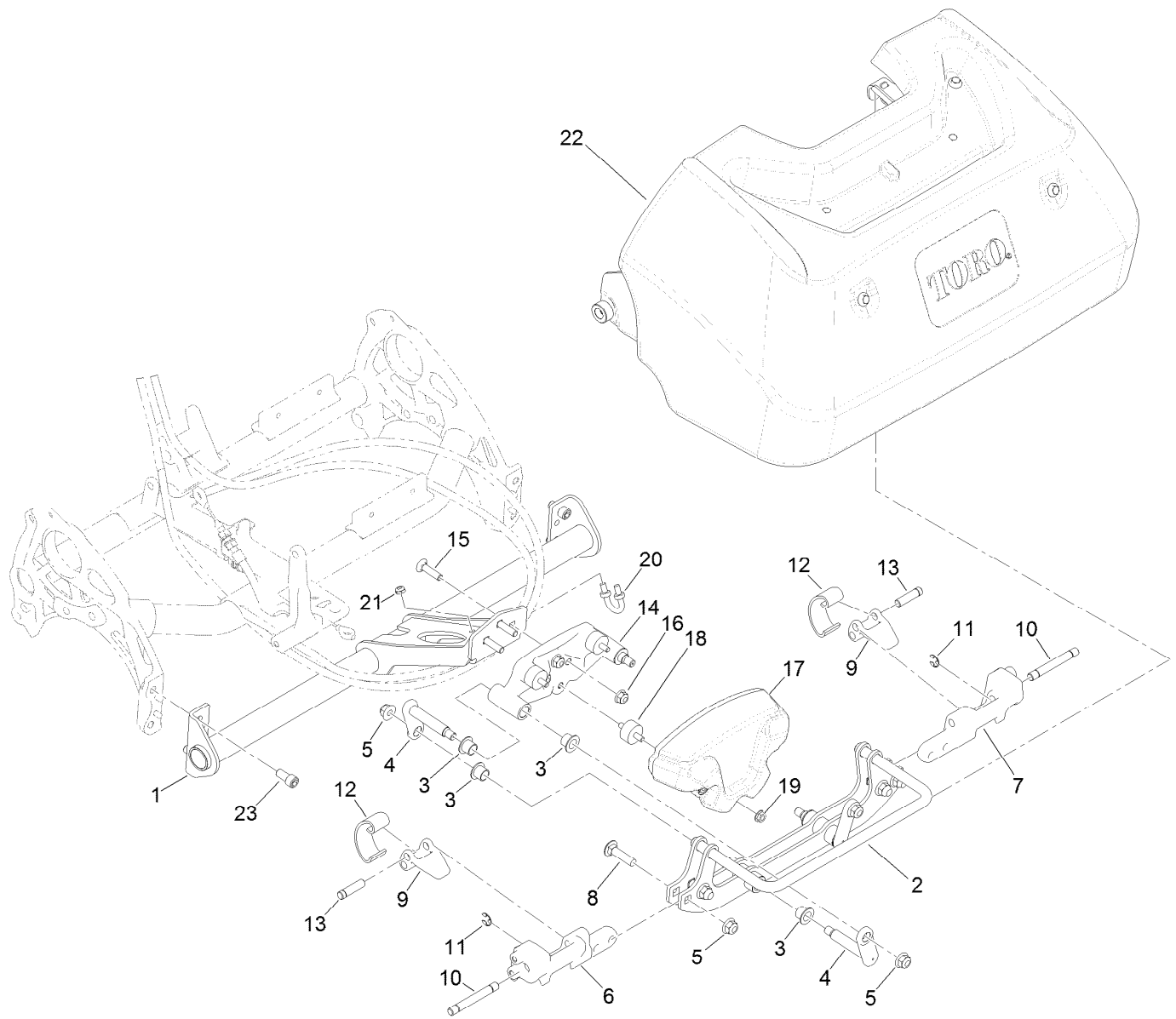
Transmission Gearbox Assembly No. 130-6820 Traction Drive Assembly

| <i>Ref.</i> | <i>Part Number</i> | <i>Qty.</i> | <i>Description</i> | <i>Ref.</i> | <i>Part Number</i> | <i>Qty.</i> | <i>Description</i> |
|-------------|--------------------|-------------|--------------------------|-------------|--------------------|-------------|--------------------------|
| 1 | 49-2410 | 2 | Bearing-Ball | 15 | 120-9687 | 1 | Pin-Clevis, Brake |
| 2 | 251-312 | 2 | Bearing-Ball | 16 | 32120-46 | 1 | Ring-Retaining |
| 3 | 137-0236 | 1 | Shaft-Slider, Neutral | 17 | 112-5163 | 1 | Washer-Wave |
| 4 | 132-4555 | 1 | Differential ASM | 18 | 137-0238 | 1 | Plate-Retainer |
| 5 | 256-252 | 2 | Bearing-Flange | 19 | 119-1138 | 4 | Screw-HWH |
| 6 | 130-6824 | 1 | Band-Brake | 20 | 103-2739 | 2 | Key |
| 7 | 132-4550 | 1 | Lever-Brake | 21 | 130-6841 | 2 | Shaft-Differential |
| 8 | 32120-47 | 1 | Ring-Retaining, External | 22 | 237-159 | 2 | O-Ring |
| 9 | 115-5258 | 1 | Spring-Wire, Flat | 23 | 137-0276 | 1 | Gear-Spur, Neutral (93T) |
| 10 | 32151-36 | 2 | Ring-Retaining | 24 | 133-4589 | 1 | Fitting-Plug |
| 11 | 237-22 | 1 | O-Ring | 25 | 138-1472 | 1 | V-Ring, Seal |
| 12 | 138-1631 | 1 | Gasket-Plate, Brake | | | | |



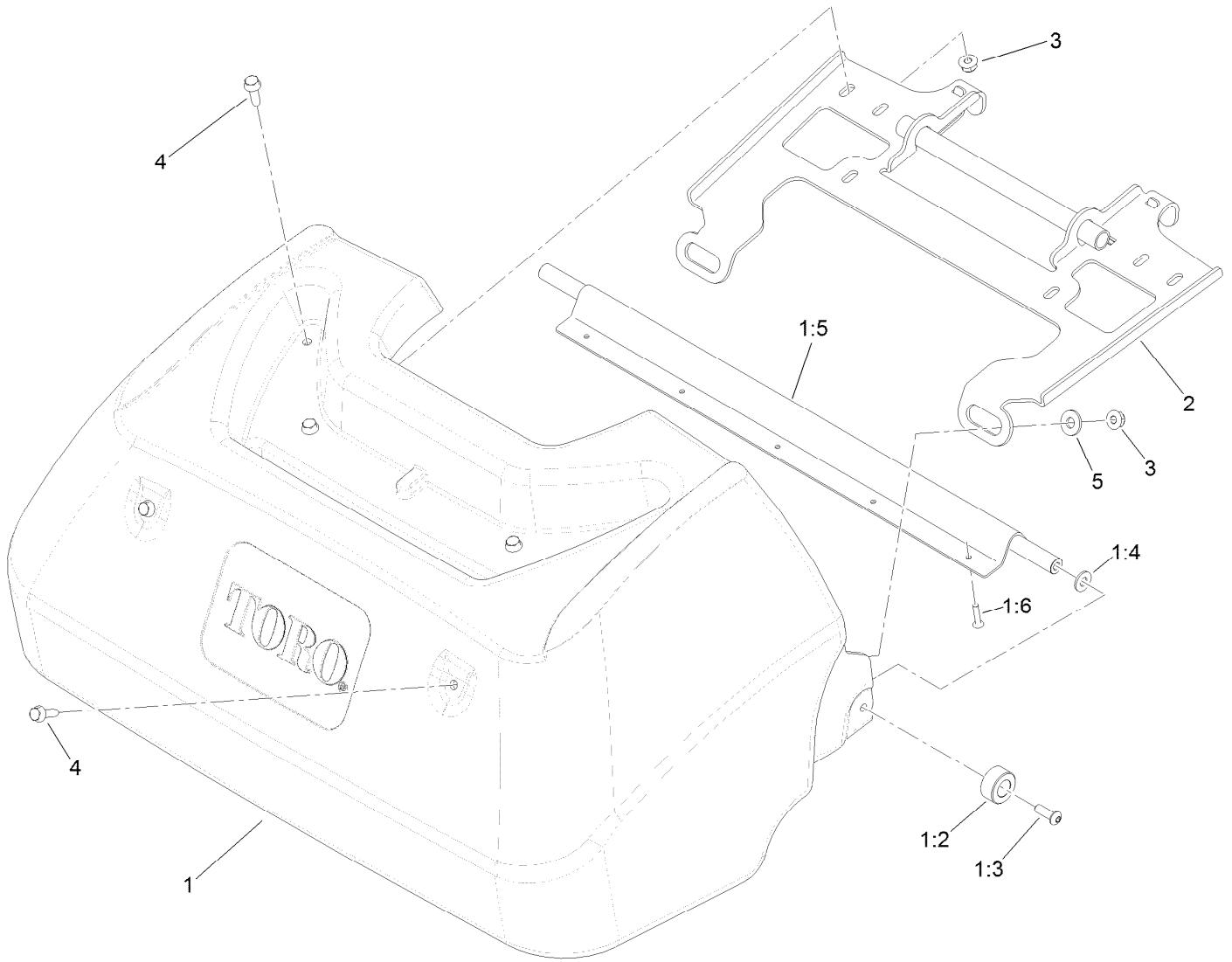
Differential Assembly No. 132-4555

| <i>Ref.</i> | <i>Part Number</i> | <i>Qty.</i> | <i>Description</i> |
|-------------|--------------------|-------------|-------------------------|
| 3 | 130-6840 | 6 | Gear-Spur, Differential |
| 4 | 137-0294 | 1 | Gear-Differential, 127T |
| 5 | 3274-26 | 6 | Screw-HSH |



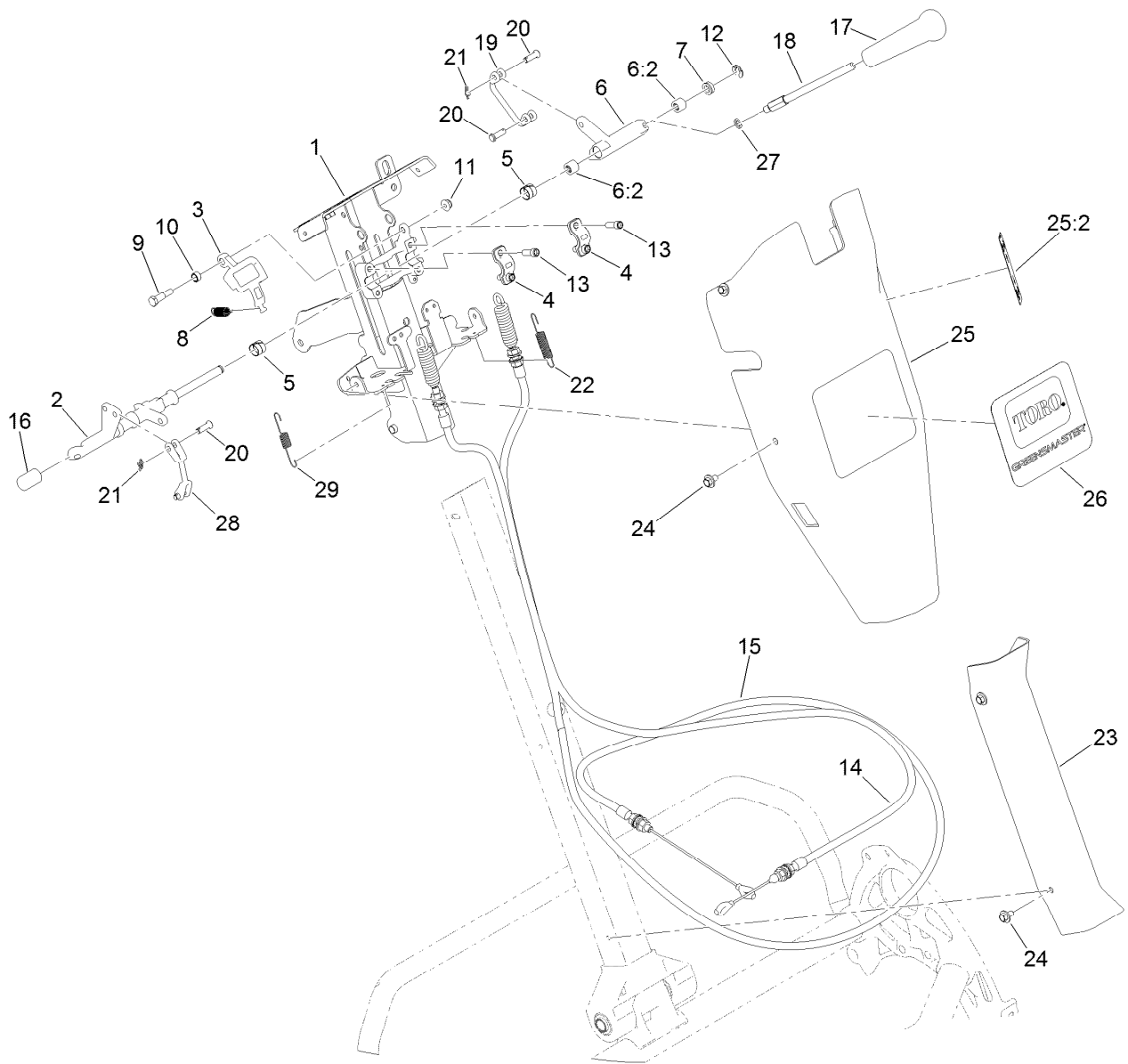
Frame Assembly

| Ref. | Part Number | Qty. | Description | Ref. | Part Number | Qty. | Description |
|------|-------------|------|------------------------------|------|-------------|------|------------------|
| 1 | 139-7364-01 | 1 | Frame ASM Flex, Welded | 12 | 114-8048 | 2 | Spring |
| 2 | 139-7435-01 | 1 | Roll Frame ASM, Welded [red] | 13 | 114-8049 | 2 | Pin-Pivot |
| 3 | 125-5239 | 8 | Bushing-Flange | 14 | 139-7439 | 1 | Frame-Link |
| 4 | 139-7376 | 4 | Link-Flex | 15 | 99-6005 | 3 | Bolt-Carriage |
| 5 | 104-8301 | 8 | Nut-HF, NI | 16 | 104-8300 | 3 | Nut-HF, NI |
| 6 | 139-7372 | 1 | Hub-End, RH | 17 | 140-3358-01 | 1 | Weight-Tmd [red] |
| 7 | 139-7374 | 1 | Hub-End, LH | 18 | 140-3356 | 3 | Isolator-Tmd |
| 8 | 3231-4 | 4 | Screw-CARR | 19 | 32128-14 | 3 | Nut-HF |
| 9 | 114-8047 | 2 | Lever | 20 | 01-170-0040 | 1 | U-Bolt |
| 10 | 139-7380 | 2 | Pin-Pivot, Latch | 21 | 3296-56 | 2 | Nut-Lock, NI |
| 11 | 32120-18 | 2 | E-Ring | 22 | 125-3500 | 1 | Grass Basket ASM |
| | | | | 23 | 131-8573 | 4 | Screw-HSH |



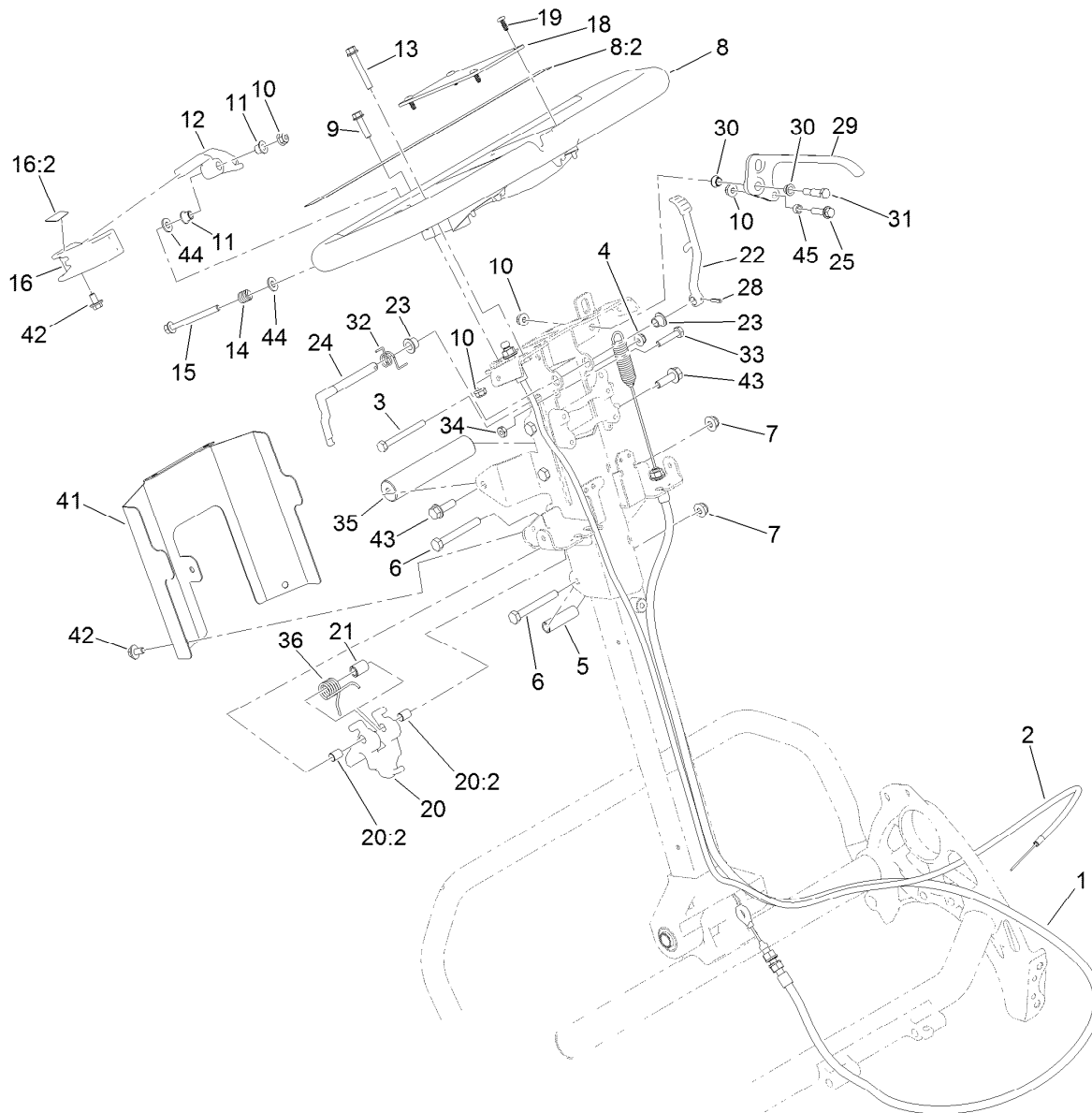
Grass Basket Assembly

| Ref. | Part Number | Qty. | Description |
|------|-------------|------|-----------------|
| 1 | 127-1539 | 1 | Basket ASM |
| 1:2 | 121-4730 | 2 | Bumper-Basket |
| 1:3 | 3274-69 | 2 | Screw-HSBH |
| 1:4 | 120-9679 | 2 | Washer-Flat |
| 1:5 | 127-1541 | 1 | Channel |
| 1:6 | 3290-382 | 5 | Rivet-Pop |
| 2 | 133-8833-03 | 1 | Bracket-Basket |
| 3 | 119-4040 | 6 | Nut-Flange, NI |
| 4 | 119-4012 | 6 | Screw-HWHTF |
| 5 | 1-603716 | 2 | Washer-Friction |



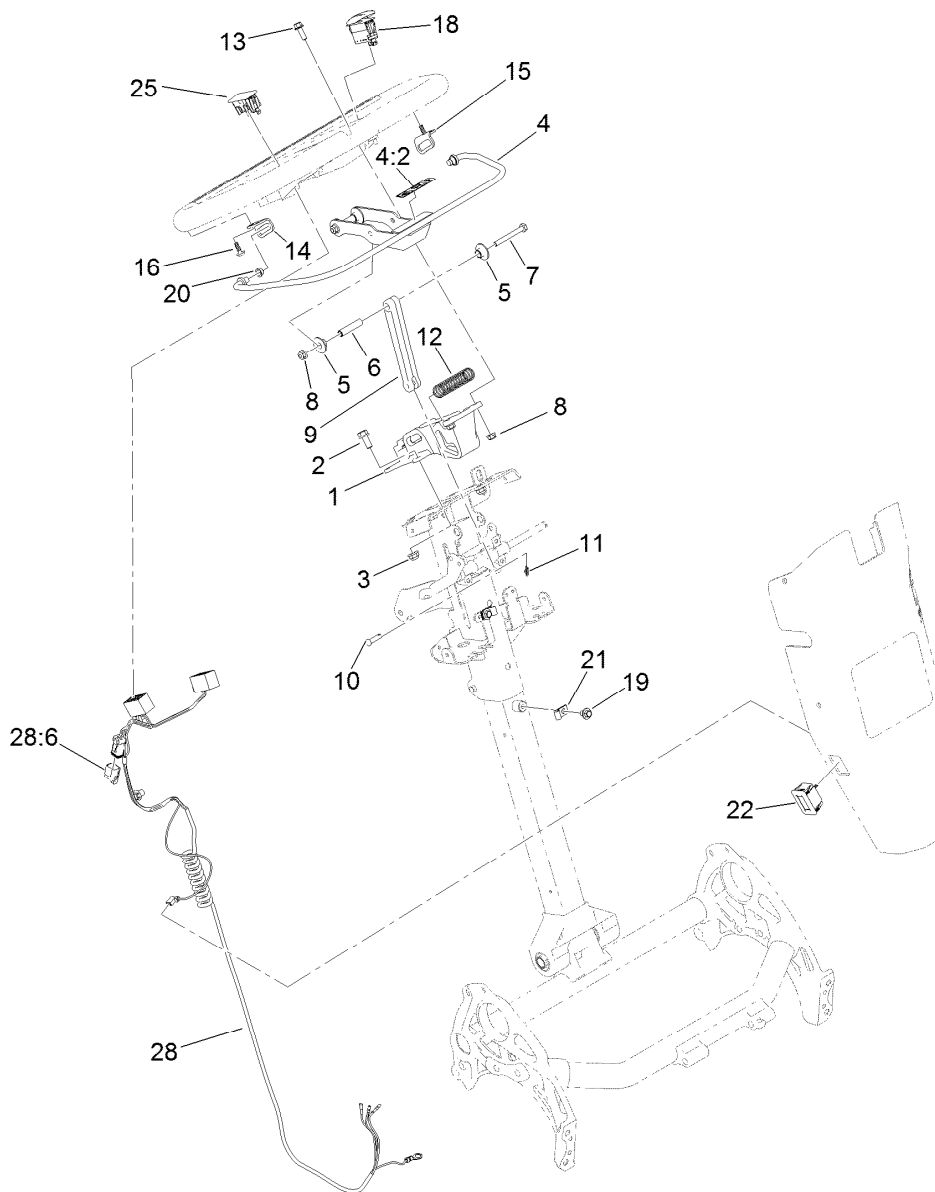
Reel Controls and Covers Assembly

| Ref. | Part Number | Qty. | Description | Ref. | Part Number | Qty. | Description |
|------|-------------|------|----------------------|------|-------------|------|------------------------------|
| 1 | 139-5191-0P | 1 | Receiver-Upper | 17 | 104-9760 | 1 | Knob-Black |
| 2 | 137-0264 | 1 | Shaft-Main, Controls | 18 | 137-0190 | 1 | Rod-Handle, Reel Lever |
| 3 | 137-0266 | 1 | Cam-Latch, Upper | 19 | 137-0232 | 1 | Connector-Clevis |
| 4 | 138-1513 | 2 | Clamp-Shaft, Control | 20 | 1-808265 | 4 | Pin-Clevis |
| 5 | 137-0263 | 2 | Bushing-Split | 21 | 138-1587 | 2 | Clip-Pin, Cotter |
| 6 | 137-0312 | 1 | Reel Lever ASM | 22 | 138-1536 | 1 | Spring-Extension |
| 6:2 | 138-1637 | 2 | Bearing-Needle | 23 | 138-1479 | 1 | Cover-Handle, Lower |
| 7 | 131-3187 | 1 | Seal-V-Ring | 24 | 46-6810 | 8 | Screw And Washer ASM |
| 8 | 140-3410 | 1 | Spring-Extension | 25 | 139-4304 | 1 | Control Upper Cover ASM |
| 9 | 137-0313 | 1 | Screw-Shoulder | 25:2 | 138-1589 | 1 | Decal-Reel Drive Engagement |
| 10 | 137-0346 | 1 | Spacer-Latch, Bail | 26 | 140-3383 | 1 | Decal-Greensmaster Flex 1021 |
| 11 | 104-7201 | 1 | Nut-HF | 27 | 75-5470 | 1 | Spacer-Bearing |
| 12 | 32151-47 | 1 | Ring-Retaining | 28 | 138-1592 | 1 | Connector-Clevis |
| 13 | 3274-8 | 4 | Screw-HSH | 29 | 140-3417 | 1 | Spring-Extension |
| 14 | 137-0180 | 1 | Cable-Clutch | | | | |
| 15 | 137-0181 | 1 | Cable-Traction | | | | |
| 16 | 138-1641 | 1 | Stockcap | | | | |



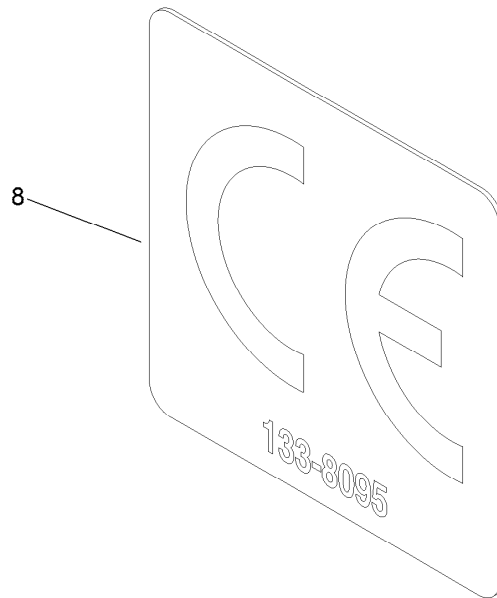
Upper Handle Assembly

| Ref. | Part Number | Qty. | Description | Ref. | Part Number | Qty. | Description |
|------|-------------|------|--------------------------|------|-------------|------|------------------------|
| 1 | 137-0183 | 1 | Cable-Brake | 20:2 | 137-0308 | 2 | Bushing-Igus |
| 2 | 137-0182 | 1 | Cable-Throttle | 21 | 137-0318 | 1 | Spacer-Spring |
| 3 | 321-15 | 1 | Screw-HH | 22 | 140-3377 | 1 | Lever-Lock, Brake |
| 4 | 104-7201 | 1 | Nut-HF | 23 | 138-1514 | 2 | Bushing-Flange |
| 5 | 137-0243 | 3 | Spacer | 24 | 138-1573 | 1 | Latch-Brake |
| 6 | 322-12 | 4 | Screw-HH | 25 | 119-1066 | 1 | Screw-HF |
| 7 | 119-4041 | 4 | Nut-HF | 28 | 32121-73 | 1 | Pin-Roll |
| 8 | 138-1645 | 1 | Handle ASM | 29 | 138-5505 | 1 | Lever |
| 8:2 | 138-5532 | 1 | Decal-Warning, General | 30 | 138-5538 | 2 | Bushing-Flange |
| 9 | 120-4654 | 2 | Screw-HHF | 31 | 138-1559 | 1 | Screw-Shoulder |
| 10 | 119-4040 | 5 | Nut-Flange, NI | 32 | 138-1518 | 1 | Spring-Brake, Torsion |
| 11 | 138-3538 | 2 | Bushing-Flange | 33 | 114-0282 | 1 | Screw-HH |
| 12 | 138-1636 | 1 | Arm-Throttle | 34 | 120-9695 | 1 | Nut-Jam |
| 13 | 138-5527 | 1 | Screw-HHF | 35 | 138-1535 | 1 | Handle-Assist, Lift |
| 14 | 3-5787 | 1 | Spring-Compression | 36 | 138-1481 | 1 | Spring-Handle, Torsion |
| 15 | 114-8410 | 1 | Screw-HHF | 41 | 138-5530-03 | 1 | Cover-Bottom, Controls |
| 16 | 139-4303 | 1 | Throttle Lever ASM | 42 | 46-6810 | 3 | Screw And Washer ASM |
| 16:2 | 138-5534 | 1 | Decal-Throttle | 43 | 115-5142 | 2 | Screw-HHF |
| 18 | 138-5514 | 1 | Plate-Notepad, Handle | 44 | 3256-22 | 2 | Washer-Flat |
| 19 | 127-6843 | 4 | Screw-Plastite, Torx Pan | 45 | 120-6564 | 1 | Spacer |
| 20 | 137-0317 | 1 | Handle Adjuster ASM | | | | |



Traction Bail Assembly

| <i>Ref.</i> | <i>Part Number</i> | <i>Qty.</i> | <i>Description</i> | <i>Ref.</i> | <i>Part Number</i> | <i>Qty.</i> | <i>Description</i> |
|-------------|--------------------|-------------|----------------------|-------------|--------------------|-------------|----------------------------|
| 1 | 138-5524 | 1 | Mount-Handle | 13 | 120-9678 | 2 | Screw-HHF |
| 2 | 3234-47 | 2 | Screw-HHF | 14 | 138-3539 | 1 | Bracket-Bail, RH |
| 3 | 119-4041 | 2 | Nut-HF | 15 | 138-3540 | 1 | Bracket-Bail, LH |
| 4 | 139-4302 | 1 | Clutch Bail ASM | 16 | 138-5775 | 2 | Screw-Delta Point |
| 4:2 | 138-5533 | 1 | Decal-Bail, Traction | 18 | 122-1497 | 1 | Switch-Rocker, On-None-Off |
| 5 | 138-3466 | 4 | Bushing-Flange | 19 | 46-6810 | 2 | Screw And Washer ASM |
| 6 | 138-3465 | 2 | Spacer-Tube | 20 | 138-5538 | 2 | Bushing-Flange |
| 7 | 321-18 | 2 | Screw-HH | 21 | 2412-72 | 2 | Clip-Closed, Insulated |
| 8 | 119-4040 | 4 | Nut-Flange, NI | 22 | 119-1347 | 1 | Meter-Hour |
| 9 | 138-5515 | 1 | Link-Bail, Clutch | 25 | 119-7791 | 1 | Plug-Hole, Carling |
| 10 | 353-322 | 1 | Pin-Clevis | 28 | 122-1416 | 1 | Harness-Wire |
| 11 | 138-1587 | 1 | Clip-Pin, Cotter | 28:6 | 32180-091 | 1 | Cap-Dust, 2 Way |
| 12 | 138-3468 | 1 | Spring-Compression | | | | |



CE Decal

| <i>Ref.</i> | <i>Part Number</i> | <i>Qty.</i> | <i>Description</i> |
|-------------|--------------------|-------------|--------------------|
| 8 | 133-8095 | 1 | Decal-CE |

Attachments and Accessories

For 04860 Greensmaster Flex 1021 Traction Unit

| Product Name | Model/Part |
|---|-------------------|
| 11-Blade 21in FLEX ES CU | 04863 |
| 14-Blade 21in FLEX ES CU | 04864 |
| Narrow Wiehle Roller Kit, Greensmaster DPA Cutting Units | 04027 |
| Paspalum Wiehle Roller, Greensmaster Flex 1021 Traction Unit | 04028 |
| Extended Wiehle Roller Kit, Greensmaster Flex 1021 Traciton Unit..... | 04029 |
| Split Full Front Roller | 04249 |
| Split Narrow Wiehle Roller | 04250 |
| 21in Full Roller..... | 04815 |
| 21in Wide Wiehle Roller..... | 04825 |
| Front Brush for Narrow Wiehle Roller (Qty 1) | 115-7377 |
| Front Brush for Wide Wiehle Roller (Qty 1) | 115-7378 |
| Front Brush for Full Roller (Qty 1) | 115-7379 |
| Front Comb for Narrow Wiehle Roller (Qty 1)..... | 115-7380 |
| Front Comb for Wide Wiehle Roller (Qty 1) | 115-7381 |
| Front Comb for Full Roller (Qty 1) | 115-7382 |
| Front Scraper for Narrow Wiehle Roller (Qty 1)..... | 125-3503 |
| Front Scraper for Wide Wiehle Roller (Qty 1) | 125-3504 |
| Front Scraper for Full Roller (Qty 1) | 125-3505 |
| Steel Rear Full Roller (Qty 1) | 120-9595 |
| Rear Roller ASM, 21 Inch | 140-9259 |
| Rear Roller Scraper Kit with Roller..... | 115-7383 |
| Universal Groomer Drive Kit | 04648 |
| 21in Soft Grooming Brush..... | 04270 |
| 21in Stiff Grooming Brush | 04271 |
| 21in Twin Tip Groomer Reel | 04802 |
| 21in Soft Grooming Brush Kit..... | 127-1547 |
| 21in Stiff Grooming Brush Kit..... | 127-1548 |
| Roller Extension Kit | 115-7361 |
| High Height-of-Cut Arms (Qty 1)..... | 120-9600 |
| Rear Roller Adjustment (Qty 1)..... | 120-9602 |
| Access Backlap Kit | 139-4342 |
| Bedbar | 106-2648-01 |
| Bedbar-Aggressive | 99-3794-0P |
| Bedknife-Tournament, Extended | 108-4302 |
| Bedknife-Microcut, Extended..... | 108-4303 |
| Bedknife-EDGEMAX, Microcut..... | 115-1880 |
| Bedknife-EDGEMAX, Tournament Cut | 115-1881 |
| Bedknife-EDGEMAX, Microcut Short | 139-4320 |
| Bedknife-EDGEMAX, Tournament Short | 139-4321 |
| Bedknife-Fairway..... | 63-8610 |
| Bedknife-Microcut..... | 93-4262 |
| Bedknife-Tournament Cut..... | 93-4263 |
| Bedknife-Low Cut | 93-4264 |
| Bedknife-Highcut | 94-6392 |
| Blade-Groomer, Universal Harden Blade (Thin) | 132-4626 |
| Wheel Kit | 04123 |

Attachments and Accessories (continued)

| | |
|---|----------|
| Light Kit (2019+) | 04135 |
| Push Broom Kit, Walk Greensmower (2019+) | 04136 |
| Wireless Hour Meter Kit | 139-4369 |
| MVP Kit-Cutting Unit Re-Build | 121-2637 |
| Premium Engine Oil 10w30 (55 Gallon Drum) | 121-6392 |
| Premium Engine Oil 10w30 (5 Gallon Pail) | 121-6393 |
| Grease-Synthetic..... | 136-8595 |
| Turf Evaluator | 04399 |
| Toro Reel Paper (10 Pack)..... | 125-5610 |
| Toro Reel Shim (0.002in) | 125-5611 |
| Angle Indicator..... | 131-6828 |
| Angle Indicator Mount..... | 131-6829 |
| Height-of-Cut Bar..... | 94-9010 |
| Trans Pro 80 Tow-Behind Trailer..... | 04238 |
| Flat Ramp | 04245 |
| Rail Ramp Kit (Update)..... | 04247 |
| Trans Pro 100 Tow-Behind Trailer..... | 04240 |
| Rail Ramp Kit TP100 | 138-5011 |
| Retention Kit | 139-2683 |
| Retention Straps Kit..... | 139-6477 |

Notes:



Count on it.