



**17-44 HXL**

**Wheel Horse® Lawn Tractor**

**Model No. 71228—210000001 & Up**

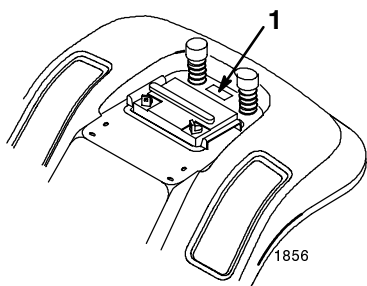
**Operator's Manual**

# Introduction

Thank you for purchasing a Toro product.

All of us at Toro want you to be completely satisfied with your new product, so feel free to contact your local Authorized Service Dealer for help with service, genuine Toro replacement parts, or other information you may require.

Whenever you contact your Authorized Service Dealer or the factory, always know the model and serial numbers of your product. These numbers will help the Service Dealer or Service Representative provide exact information about your specific product. You will find the model and serial number plate located in a unique place on the product as shown below.



1. Model and Serial Number Plate (under the seat)

For your convenience, write the product model and serial numbers in the space below.

<b>Model No.</b> _____
<b>Serial No.</b> _____

Read this manual carefully to learn how to operate and maintain your product correctly. Reading this manual will help you and others avoid personal injury and damage to the product. Although Toro designs, produces and markets safe, state-of-the-art products, you are responsible for using the product properly and safely. You are also responsible for training persons who you allow to use the product about safe operation.

The Toro warning system in this manual identifies potential hazards and has special safety messages that help you and others avoid personal injury, even death. DANGER, WARNING and CAUTION are signal words used to identify the level of hazard. However, regardless of the hazard, be extremely careful.



**DANGER** signals an extreme hazard that will cause serious injury or death if the recommended precautions are not followed.

**WARNING** signals a hazard that may cause serious injury or death if the recommended precautions are not followed.

**CAUTION** signals a hazard that may cause minor or moderate injury if the recommended precautions are not followed.

Two other words are also used to highlight information. "Important" calls attention to special mechanical information and "Note" emphasizes general information worthy of special attention.

The left and right side of the machine is determined by sitting on the seat in the normal operator's position.

	<b>WARNING:</b>	
<b>The engine exhaust from this product contains chemicals known to the State of California to cause cancer, birth defects, or other reproductive harm.</b>		

**IMPORTANT:** The engine in this product is not equipped with a spark arrester muffler. It is a violation of California Public Resource Code Section 4442 to use or operate this engine on any forest-covered, brush-covered or grass-covered land as defined in CPRC 4126. Other states or federal areas may have similar laws.

# Contents

	Page		Page
Safety .....	2	Maintenance .....	20
Safe Operating Practices .....	2	Service Interval Chart .....	20
Toro Riding Mower Safety .....	4	Greasing and Lubrication .....	21
Slope Chart .....	5	Tire Pressure .....	22
Safety and Instruction Decals .....	7	Brake .....	22
Gasoline and Oil .....	9	Wiring Diagram .....	23
Recommended Gasoline .....	9	Fuse .....	24
Stabilizer/Conditioner .....	10	Headlights .....	24
Filling the Fuel Tank .....	10	Battery .....	25
Check Engine Oil Level .....	10	Spark Plug .....	28
Operation .....	11	Fuel Tank .....	29
Think Safety First .....	11	Fuel Filter .....	29
Controls .....	11	Air Cleaner .....	30
Parking Brake .....	11	Engine Oil .....	32
Positioning the Seat .....	12	Transaxle Fluid .....	33
Headlights .....	12	Cutting Blade .....	34
Using the Blade Control (PTO) .....	12	Removing the Mower .....	35
Setting the Height of Cut .....	13	Installing the Mower .....	38
Adjusting the Gage Wheels .....	13	Installing the Recycler) Baffle .....	41
Starting and Stopping the Engine .....	14	Removing the Recycler) Baffle .....	41
The Safety Interlock System .....	15	Blade Drive Belt .....	41
Testing the Safety System .....	16	Adjusting Blade Brakes .....	42
Pushing the Machine by Hand .....	17	Side-to-Side Mower Leveling .....	42
Driving Forward or Backward .....	17	Front-to-Rear Blade Slope .....	43
Stopping the Machine .....	18	Washing Underside of Mower .....	45
Side Discharge or Mulch Grass .....	18	Cleaning and Storage .....	45
Tips for Mowing Grass .....	18	Troubleshooting .....	47
		The Toro Total Coverage Guarantee .....	50

**The enclosed Engine Owner's Manual is supplied for information regarding The U.S. Environmental Protection Agency (EPA) and the California Emission Control Regulation of emission systems, maintenance and warranty.**

**Keep this engine Owner's Manual with your unit. Should this engine Owner's Manual become damaged or illegible, replace immediately. Replacements may be ordered through the engine manufacturer.**

# Safety

**This machine meets or exceeds the B71.1-1998 specifications of the American National Standards Institute, in effect at the time of production. However, improper use or maintenance by the operator or owner can result in injury. To reduce the potential for injury, comply with these safety instructions and always pay attention to the safety alert ▲ symbol, which means CAUTION, WARNING, or DANGER—“personal safety instruction.” Failure to comply with the instruction may result in personal injury or death.**

## Safe Operating Practices

The following instructions are from ANSI standard B71.1—1998.

This product is capable of amputating hands and feet and throwing objects. Always follow all safety instructions to avoid serious injury or death.

### General Operation

- Read, understand, and follow all instructions in the operator’s manual and on the machine before starting.
- Allow only responsible adults who are familiar with the instructions to operate the machine.
- Clear the area of objects such as rocks, toys, wire, etc., which could be picked up and thrown by the blade.
- Be sure the area is clear of other people before mowing. Stop the machine if anyone enters the area.
- Never carry passengers.
- Do not mow in reverse unless absolutely necessary. Always look down and behind before and while backing.
- Be aware of the mower discharge direction and do not point it at anyone. Do not operate the mower without either the entire grass catcher or the guard in place.
- Slow down before turning.
- Never leave a running machine unattended. Always turn off blades, set parking brake, stop engine, and remove keys before dismounting.
- Turn off blades when not mowing.
- Stop the engine before removing the grass catcher or unclogging the chute.
- Mow only in daylight or good artificial light.
- Do not operate the machine while under the influence of alcohol or drugs.
- Watch for traffic when operating near or crossing roadways.
- Use extra care when loading or unloading the machine into a trailer or truck.
- Always wear safety goggles or safety glasses with side shields when operating mower.
- Data indicates that operators, age 60 years and above, are involved in a large percentage of riding mower-related injuries. These operators should evaluate their ability to operate the riding mower safely enough to protect themselves and others from serious injury.

## Slope Operation

Slopes are a major factor related to loss-of-control and tip-over accidents, which can result in severe injury or death. All slopes require extra caution. If you cannot back up the slope or if you feel uneasy on it, do not mow it.

- Mow up and down slopes, not across.
- Remove obstacles such as rocks, tree limbs, etc.
- Watch for holes, ruts or bumps. Uneven terrain could overturn the machine. Tall grass can hide obstacles.
- Use slow speed. Choose a low gear so that you will not have to stop or shift while on the slope.
- Follow Toro's recommendations for wheel weight or counterweights to improve stability.
- Use extra care with grass catchers or other attachments. These can change the stability of the machine.
- Keep all movement on slopes slow and gradual. Do not make sudden changes in speed or direction.
- Avoid starting or stopping on a slope. If tires lose traction, disengage the blades and proceed slowly straight down the slope.
- Do not turn on slopes unless necessary, and then, turn slowly and gradually downhill, if possible.
- Do not mow near drop-offs, ditches, or embankments. The machine could suddenly turn over if a wheel goes over the edge of a cliff or ditch, or if an edge caves in.
- Do not mow on wet grass. Reduced traction could cause sliding.
- Do not try to stabilize the machine by putting your foot on the ground.
- Do not use a grass catcher on steep slopes.

## Children

Tragic accidents can occur if the operator is not alert to the presence of children. Children are often attracted to the machine and the mowing activity. Never assume that children will remain where you last saw them.

- Keep children out of the mowing area and under the watchful care of another responsible adult.
- Be alert and turn the machine off if children enter the area.
- Before and while backing, look behind and down for small children.
- Never carry children, even with the blades off. They may fall off and be seriously injured or interfere with safe machine operation.
- Never allow children to operate the machine.
- Use extra care when approaching blind corners, shrubs, trees, the end of a fence or other objects that may obscure vision.


## Service

- Use extra care when handling gasoline and other fuels. They are flammable and vapors are explosive.
  - A. Use only an approved container.
  - B. Never remove the gas cap or add fuel when the engine is running. Allow the engine to cool before refueling. Do not smoke.
  - C. Never refuel the machine indoors.
  - D. Never store the machine or fuel container inside where there is an open flame, such as near a water heater or furnace.
- Never run a machine inside a closed area.
- Keep nuts and bolts tight, especially the blade attachment bolts. Keep equipment in good condition.

- Never tamper with safety devices. Check their proper operation regularly.
- Keep the machine free of grass, leaves, or other debris build-up. Clean up oil or fuel spillage. Allow the machine to cool before storing.
- Stop and inspect the equipment if you strike an object. Repair, if necessary, before restarting.
- Grass catcher components are subject to wear, damage and deterioration, which could expose moving parts or allow objects to be thrown. Frequently check components and replace with manufacturer's recommended parts, when necessary.
- Mower blades are sharp and can cut. Wrap the blade(s) or wear gloves, and use extra caution when servicing them.
- Use only genuine Toro replacement parts to ensure that original standards are maintained.
- Slow down before turning. Sharp turns on any terrain may cause loss of control.
- Never leave a running machine unattended. Always turn off blades, set parking brake, stop engine, and remove the ignition and KeyChoice™ keys before dismounting.
- Keep hands, feet, hair and loose clothing away from attachment discharge area, underside of mower and any moving parts while engine is running.
- Do not touch equipment or attachment parts which may be hot from operation. Allow to cool before attempting to maintain, adjust or service.
- Battery acid is poisonous and can cause burns. Avoid contact with skin, eyes and clothing. Protect your face, eyes and clothing when working with a battery.
- Battery gases can explode. Keep cigarettes, sparks and flames away from battery.

## Toro Riding Mower Safety

The following list contains safety information specific to Toro products or other safety information that you must know that is not included in the ANSI standards.

 **WARNING**

**POTENTIAL HAZARD**

- **Engine exhaust contains carbon monoxide, which is an odorless, deadly poison.**

**WHAT CAN HAPPEN**

- **Carbon monoxide can kill you and is also known to the State of California to cause birth defects.**

**HOW TO AVOID THE HAZARD**

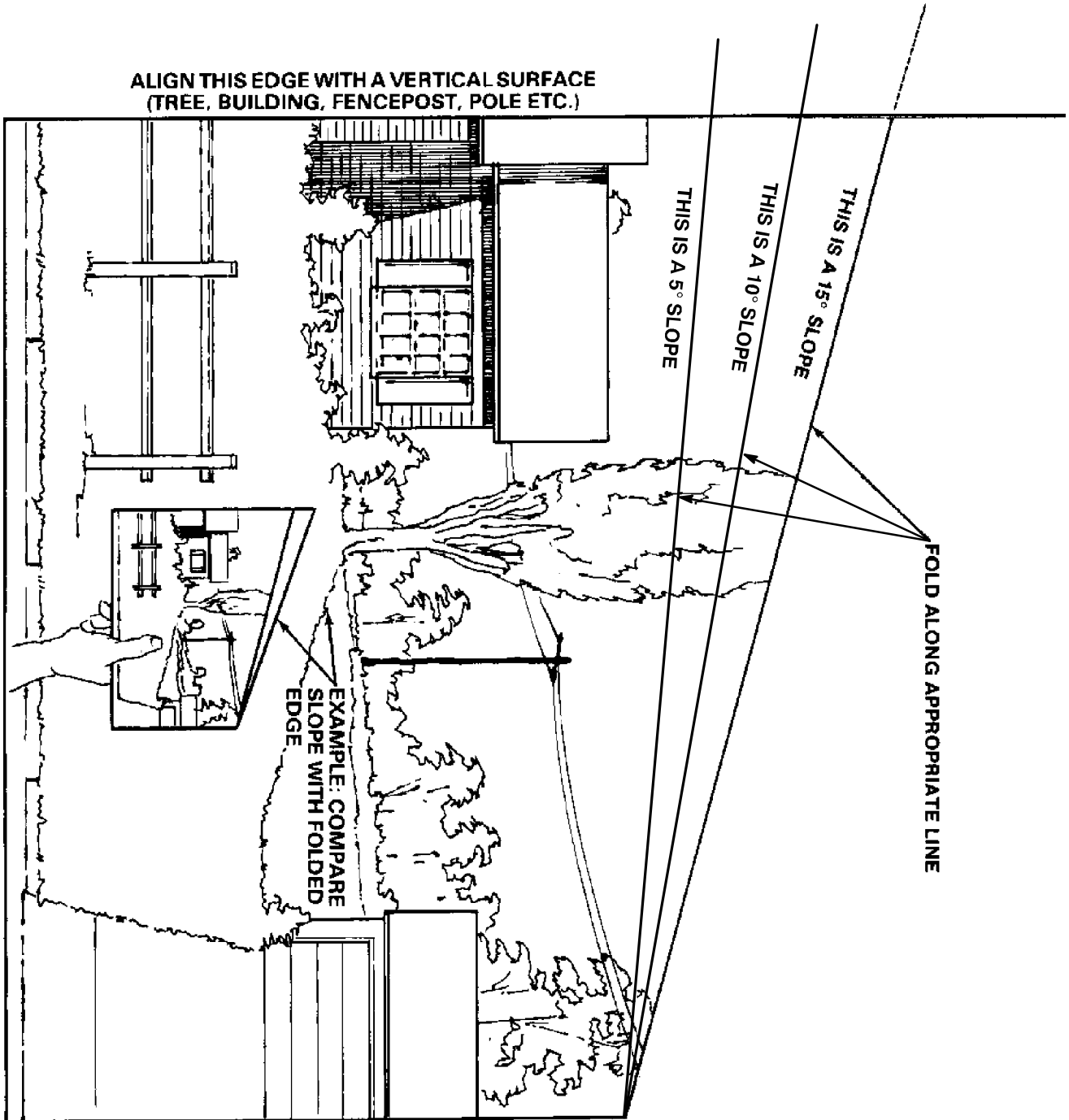
- **Do not run engine indoors or in an enclosed area.**

- Stop the engine, disconnect spark plug wire(s) and remove key before performing any service, repairs, maintenance or adjustments.

- Use only genuine replacement parts to ensure that original standards are maintained.
- Use only Toro approved attachments. Warranty may be voided if used with unapproved attachments.
- Do not mow across slopes exceeding 5 degrees.
- Do not mow down slopes exceeding 15 degrees.
- Do not mow up slopes exceeding 10 degrees.
- If a steep slope must be ascended, back up the hill, and drive forward down the hill, keeping the machine in gear.
- Avoid turning on slopes. If you must turn, turn slowly and gradually downhill, if possible.
- Do not use a grass catcher on steep slopes. Heavy grass bags could cause loss of control or overturn the machine.

# Slope Chart

Read all safety instructions on pages 2-4.



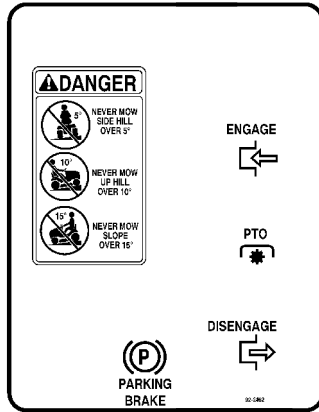


# Safety and Instruction Decals

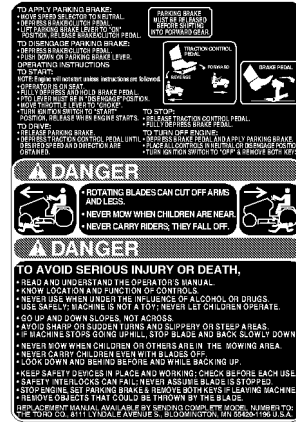


Safety decals and instructions are easily visible to the operator and are located near any area of potential danger. Replace any decal that is damaged or lost.

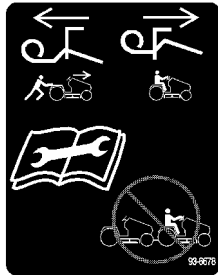
**ON STEERING TOWER  
(Part No. 92-2462)**



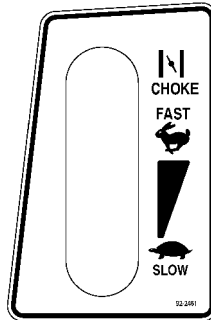
**ON FRAME STEP  
(Part No. 99-6095)**



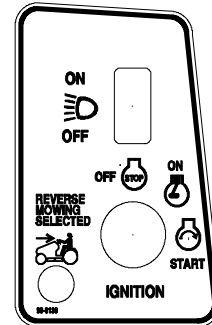
**ON FRAME  
LEFT REAR  
(Part No. 100-7449)**



**ON DASH  
LEFT SIDE  
(Part No. 92-2461)**



**ON DASH  
RIGHT SIDE  
(Part No. 99-8139)**



**ON SEAT  
BRACKET  
(Part No. 99-2985)**



**ON SEAT  
BRACKET  
(Part No. 99-5339)**



**UNDER HOOD  
(Part No. 104-4151)**

**XL SERIES  
QUICK REFERENCE AID**

SEE OPERATOR'S MANUAL

MODEL NUMBER	71228 / 17-44HXL
PART NUMBERS	
DRIVE/TRANS BELT	88-6250
DECK BELT	93-3884
OIL FILTER	492932
AIR ELEMENT	496894
AIR PRE-CLEANER	272403
SPARK PLUG	491055

ITEM	DESCRIPTION	LOCATION
A. ENGINE OIL	CHECK LEVEL	CHANGING
B. GREASE CHAMBER	DISCONNECT SERVICE	DISCONNECT SERVICE
C. FAN BELT	FORM SERVICE	PERPENDICULAR
D. BATTERY	CHARGE	DISCHARGE SERVICE
	CHARGE	DISCHARGE SERVICE

PERFORM ALL SCHEDULED MAINTENANCE MORE OFTEN IN DUSTY, DIRTY CONDITIONS.

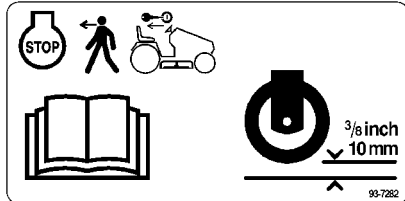
For complete maintenance schedules, refer to your Toro Wheel Horse Owners Manual. For dealer location and more information on Toro products, contact: [www.toro.com](http://www.toro.com)

104-4151

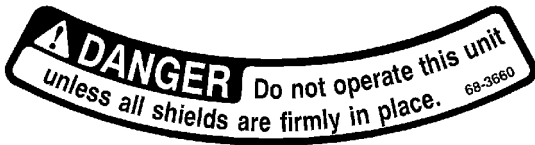
**ON MOWER RIGHT TOP  
AND DEFLECTOR  
(Part No. 93-1122)**



**NEXT TO GAGE WHEELS  
(Part No. 93-7282)**



**UNDER BELT COVERS  
(Part No. 68-3660)**



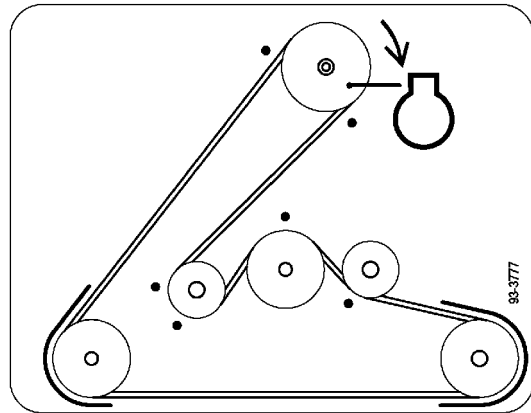
**UNDER GRASS DEFLECTOR  
(Part No. 68-3650)**



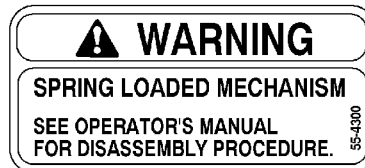
**ON MOWER LEFT SIDE  
(Part No. 66-1340)**



**ON MOWER RIGHT SIDE  
(Part No. 93-3777)**



**ALONGSIDE MOWER LIFT BRACKETS  
(Part No. 55-4300)**



# Gasoline and Oil

## Recommended Gasoline

Use UNLEADED Regular Gasoline suitable for automotive use (85 pump octane minimum). Leaded regular gasoline may be used if unleaded regular is not available.

**IMPORTANT:** Never use methanol, gasoline containing methanol, or gasohol containing more than 10% ethanol because the fuel system could be damaged. Do not mix oil with gasoline.

### DANGER

#### POTENTIAL HAZARD

- In certain conditions gasoline is extremely flammable and highly explosive.

#### WHAT CAN HAPPEN

- A fire or explosion from gasoline can burn you, others, and cause property damage.

#### HOW TO AVOID THE HAZARD

- Use a funnel and fill the fuel tank outdoors, in an open area, when the engine is cold. Wipe up any gasoline that spills.
- Do not fill the fuel tank completely full. Add gasoline to the fuel tank until the level is 1/4" to 1/2" (6 mm to 13 mm) below the bottom of the filler neck. This empty space in the tank allows gasoline to expand.
- Never smoke when handling gasoline, and stay away from an open flame or where gasoline fumes may be ignited by a spark.
- Store gasoline in an approved container and keep it out of the reach of children. Never buy more than a 30-day supply of gasoline.

### DANGER

#### POTENTIAL HAZARD

- In certain conditions gasoline is extremely flammable and highly explosive.

#### WHAT CAN HAPPEN

- A fire or explosion from gasoline can burn you, others, and cause property damage.

#### HOW TO AVOID THE HAZARD

- Always place gasoline containers on the ground away from your vehicle before filling.
- Do not fill gasoline containers inside a vehicle or on a truck or trailer bed because interior carpets or plastic truck bed liners may insulate the container and slow the loss of any static charge.
- When practical, remove gas-powered equipment from the truck or trailer and refuel the equipment with its wheels on the ground.
- If this is not possible, then refuel such equipment on a truck or trailer from a portable container, rather than from a gasoline dispenser nozzle.
- If a gasoline dispenser nozzle must be used, keep the nozzle in contact with the rim of the fuel tank or container opening at all times until fueling is complete.

## Stabilizer/Conditioner

Use a fuel stabilizer/conditioner in the machine to provide the following benefits:

- Keeps gasoline fresh during storage of 90 days or less. For longer storage it is recommended that the fuel tank be drained.
- Cleans the engine while it runs
- Eliminates gum-like varnish buildup in the fuel system, which causes hard starting

**IMPORTANT: Do not use fuel additives containing methanol or ethanol.**

Add the correct amount of gas stabilizer/conditioner to the gas.

**Note:** A fuel stabilizer/conditioner is most effective when mixed with fresh gasoline. To minimize the chance of varnish deposits in the fuel system, use fuel stabilizer at all times.

## Filling the Fuel Tank

1. Shut the engine off and set the parking brake.
2. Clean around fuel tank cap and remove the cap. Add unleaded regular gasoline to fuel tank, until the level is 1/4 to 1/2 inch (6 mm to 13 mm) below the bottom of the filler neck. This space in the tank allows gasoline to expand. Do not fill the fuel tank completely full.
3. Install fuel tank cap securely. Wipe up any gasoline that may have spilled.

## Check Engine Oil Level

Before you start the engine and use the machine, check the oil level in the engine crankcase; refer to Checking Oil Level, page 32.

# Operation

## Think Safety First

Please carefully read all the safety instructions and symbols in the safety section. Knowing this information could help you, your family, pets or bystanders avoid injury.

## Controls

Become familiar with all the controls (Fig. 1) before you start the engine and operate the machine.

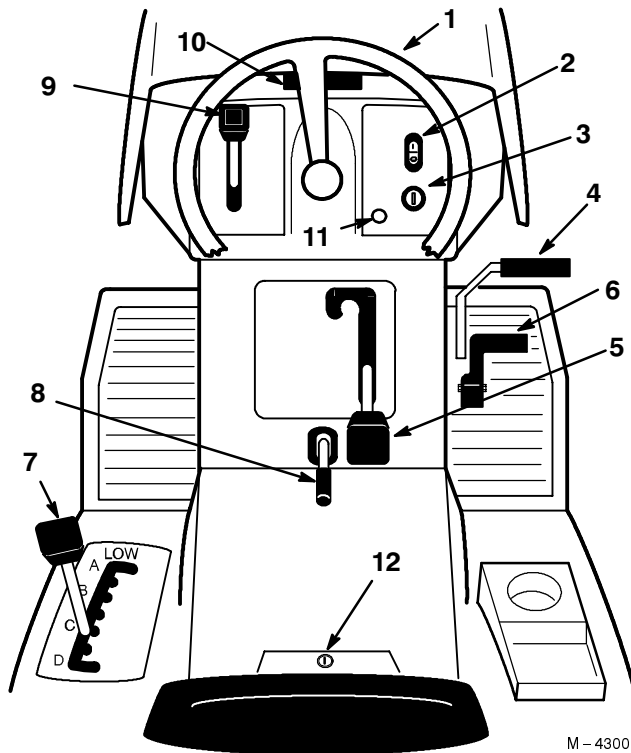


Figure 1

- |  |                                    |
|--|------------------------------------|
| 1. Steering wheel                        | 7. Height-of-cut lever (deck lift) |
| 2. Light switch—on/off (selected models) | 8. Parking brake lever             |
| 3. Ignition switch                       | 9. Throttle lever                  |
| 4. Clutch/brake pedal                    | 10. Hood opening                   |
| 5. Blade control (PTO)                   | 11. Operating-in-Reverse light     |
| 6. Ground speed selector                 | 12. KeyChoice™ switch              |

## Parking Brake

Always set the parking brake when you stop the machine or leave it unattended.

### Setting the Parking Brake

1. Push the brake pedal (Fig. 2) down and hold it in the depressed position.
2. Lift the parking brake lever (Fig. 2) up and gradually take your foot off the brake pedal. The brake pedal should stay in the depressed (locked) position.

### Releasing the Parking Brake

1. Push down on the brake pedal (Fig. 2). The parking brake lever should release.
2. Gradually release the brake pedal.

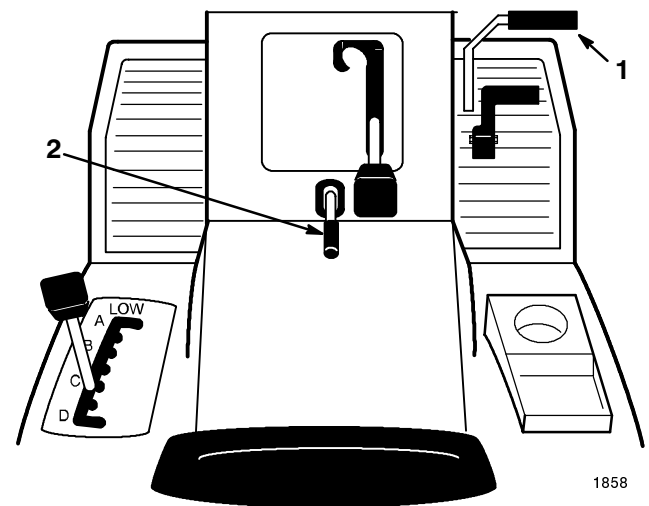


Figure 2

- |                |                        |
|----------------|------------------------|
| 1. Brake pedal | 2. Parking brake lever |
|----------------|------------------------|

## Positioning the Seat

The seat can move forward and backward. Position the seat where you have the best control of the machine and are most comfortable.

1. Raise the seat and loosen the adjustment knob (Fig. 3).
2. Move the seat to the desired position and tighten the knob.

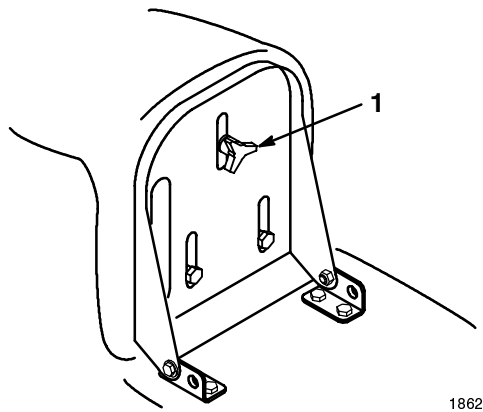


Figure 3

1. Adjustment knob
- 

## Headlights

Headlights are optional on some models. A dash-mounted “ON/OFF” switch (Fig. 1) controls the headlights. The lights only shine while the engine is running and the switch is “ON.”

## Using the Blade Control (PTO)

The blade control (PTO) engages and disengages power to the blade(s).

### Engaging the Blade(s)

1. Depress the brake pedal to stop the machine.
2. Move the blade control (PTO) to “ENGAGED” (Fig. 4).

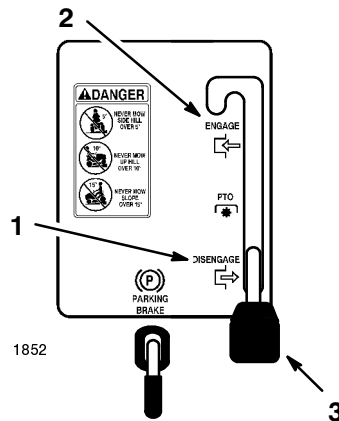


Figure 4

1. Disengaged
  2. Engaged
  3. Blade control (PTO)
- 

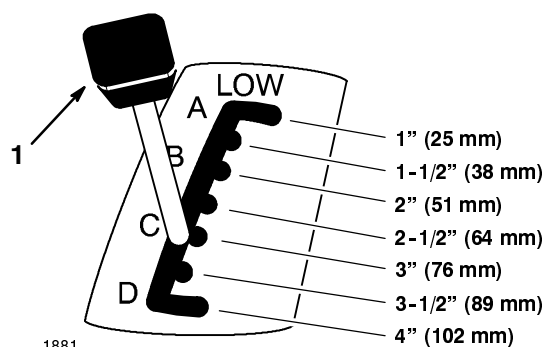
### Disengaging the Blade(s)

1. Depress the brake pedal to stop the machine.
2. Move the blade control (PTO) to “DISENGAGED” (Fig. 4).

## Setting the Height of Cut

The height-of-cut lever (deck lift) is used to raise and lower the mower to the desired cutting height.

1. The cutting height may be set in one of seven positions from approximately 1 to 4 inches (25 to 102 mm).
2. Pull on the height-of-cut lever (deck lift) and move it to the desired position (Fig. 5).



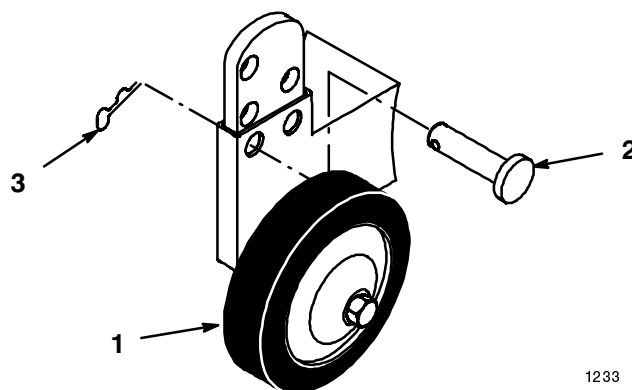
**Figure 5**

1. Height-of-cut lever (deck lift)

## Adjusting the Gage Wheels

The gage wheels must be adjusted in the proper hole location for each height-of-cut position.

1. After adjusting height-of-cut, raise the height-of-cut lever; refer to Setting the Height of Cut, page 13.
2. Remove hairpin cotter and pin to change hole location (Fig. 6).
3. Select a hole position so the gage wheel is  $\frac{3}{8}$ " (9.5 mm) off the ground for the height-of-cut to be used (Fig. 6).
4. Insert pin and secure with hairpin cotter.
5. Repeat adjustment on the other gage wheels.



**Figure 6**

1. Wheel
2. Pin
3. Hair pin Cotter

1233

# Starting and Stopping the Engine

## Starting

1. Sit down on the seat.
2. Set the parking brake; refer to Setting the Parking Brake, page 11.

**Note:** The engine will not start unless you set the parking brake or fully depress the brake pedal.

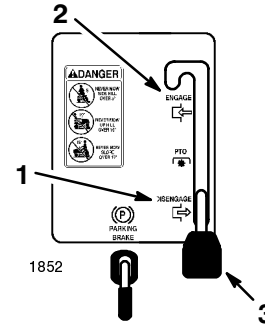
3. Move the blade control (PTO) to “DISENGAGED” (Fig. 7).
4. Move the throttle lever to “CHOKE” (Fig. 8).

**Note:** An engine that has been running and is warm may not require step 4.

5. Turn the ignition key clockwise and hold it in the “START” position (Fig. 9). When the engine starts, release the key.

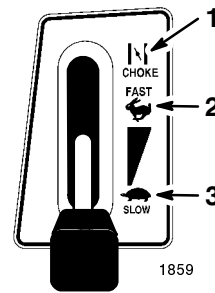
**IMPORTANT: If the engine does not start after 30 seconds of continuous cranking, turn the ignition key to “OFF” and let the starter motor cool; refer to Troubleshooting, page 47.**

6. After the engine starts, slowly move the throttle lever to “FAST” (Fig. 8). If the engine stalls or hesitates, move the throttle lever back to “CHOKE” for a few seconds. Then move the throttle lever to “FAST.” Repeat this as required.



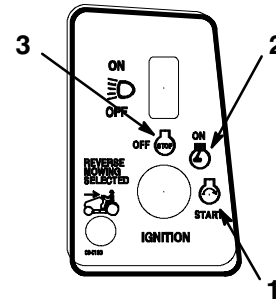
**Figure 7**

- |               |                        |
|---------------|------------------------|
| 1. Disengaged | 3. Blade control (PTO) |
| 2. Engaged    |                        |



**Figure 8**

- |          |         |
|----------|---------|
| 1. Choke | 3. Slow |
| 2. Fast  |         |



**Figure 9**



- |          |        |
|----------|--------|
| 1. Start | 3. Off |
| 2. On    |        |

m-4297

## Stopping

1. Move the throttle lever to “FAST” (Fig. 8).
2. Turn the ignition key to “OFF” and remove the key (Fig. 9).

## The Safety Interlock System

 <b>CAUTION</b> 	
<b>POTENTIAL HAZARD</b>	
<ul style="list-style-type: none"> <li>• Safety interlock switches may be disconnected or damaged.</li> </ul>	
<b>WHAT CAN HAPPEN</b>	
<ul style="list-style-type: none"> <li>• The machine could operate unexpectedly.</li> <li>• Contact with moving parts may cause personal injury.</li> </ul>	
<b>HOW TO AVOID THE HAZARD</b>	
<ul style="list-style-type: none"> <li>• Do not tamper with the interlock switches.</li> <li>• Check the operation of the interlock switches daily and replace any damaged switches before operating the machine.</li> <li>• Replace switches every two years regardless of whether they are operating properly or not.</li> </ul>	

### Understanding the Safety Interlock System

The safety interlock system is designed to prevent the engine from starting unless:

- You are sitting on the seat;
- The brake pedal is depressed;
- The blade control (power take off/PTO) is “DISENGAGED.”


The safety interlock system is designed to stop the engine if:

- You rise from the seat when the brake pedal is released;
- You rise from the seat when the blade control (PTO) is “ENGAGED”;
- You shift into reverse with the blade control (PTO) engaged.

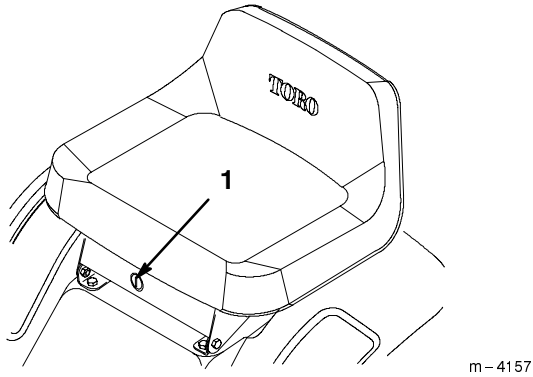
## Setting the KeyChoice™ Switch to Operate in Reverse

An interlock feature on the tractor prevents the power take off (PTO) from operating when backing up. If you shift into reverse with the PTO engaged (i.e., with mower blades or other attachment running), the engine will stop. **Do not mow in reverse unless absolutely necessary.**

If you need to use the PTO while backing up, you can turn off this interlock feature using the KeyChoice switch located near the seat bracket (Fig. 10).

 <b>DANGER</b>	
<b>POTENTIAL HAZARD</b>	
<ul style="list-style-type: none"> <li>• You could back over a child or bystander with the mower blade(s) or other attachment engaged.</li> </ul>	
<b>WHAT CAN HAPPEN</b>	
<ul style="list-style-type: none"> <li>• Blade contact or contact with a moving attachment will cause serious personal injury or death.</li> </ul>	
<b>HOW TO AVOID THE HAZARD</b>	
<ul style="list-style-type: none"> <li>• Do not mow in reverse unless absolutely necessary.</li> <li>• Do not insert the KeyChoice key unless it is absolutely necessary.</li> <li>• Always look backward and down before backing up.</li> <li>• Use the KeyChoice switch only if you are certain no children or other bystanders will enter the mowing area.</li> <li>• Be very observant after deactivating the interlock because the sound of the engine may prevent you from noticing that a child or bystander has entered the work area.</li> <li>• Always remove both the ignition and KeyChoice keys and put them in a safe place out of the reach of children or unauthorized users when leaving the unit unattended.</li> </ul>	

1. Engage the PTO.
2. Insert the KeyChoice key into the switch (Fig. 10).

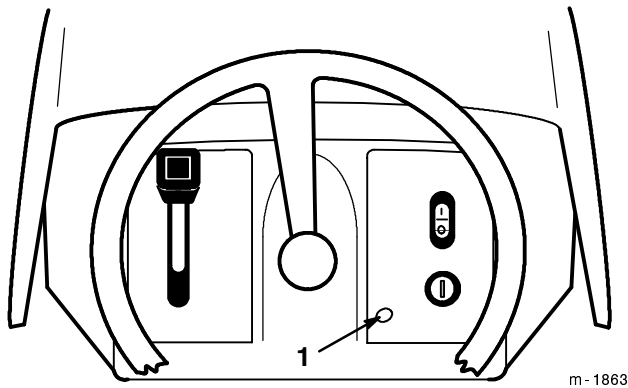


**Figure 10**

1. KeyChoice switch

3. Turn the KeyChoice key.

A red light on the front console (Fig. 11) turns on, indicating that the interlock is disabled.



**Figure 11**

1. Operating-in-reverse light

4. Shift into reverse and complete your task.
5. Stop the PTO of the engine to activate the interlock.
6. Remove the KeyChoice key and put it in a safe place out of reach of children.

## Testing the Safety System

Test the safety system before you use the machine each time. If the safety system does not operate as described below, have an Authorized Service Dealer repair the safety system immediately. While setting in the seat, perform the following checks.

1. Set the parking brake. Move the blade control (PTO) to “ENGAGED.” Now turn the ignition key to “START”; the engine should not crank.
2. Move the blade control (PTO) to “DISENGAGED” and release the parking brake. Now turn the ignition key to “START”; the engine should not crank.
3. Set the parking brake and move the blade control (PTO) to “DISENGAGED.” Now start the engine. While the engine is running, release the parking brake and rise slightly from the seat; the engine should stop.
4. Put the PTO lever in the “disengage” position, the traction control pedal in neutral, and set the parking brake. Now start the engine. While the engine is running, move the PTO lever to the “engage” position and move the foot pedal to reverse. The engine should stop.
5. Put the PTO lever in the “disengage” position, the traction control pedal in neutral, and set the parking brake. Now start the engine. Move the PTO lever to the “engage” position and turn the KeyChoice key and release. The Operating-in-Reverse warning light should illuminate. Move the PTO lever to the “disengage” position and the Operating-in-Reverse warning light should turn off.

## Pushing the Machine by Hand

**IMPORTANT:** Always push the machine by hand. Never tow the machine because transaxle damage may occur.

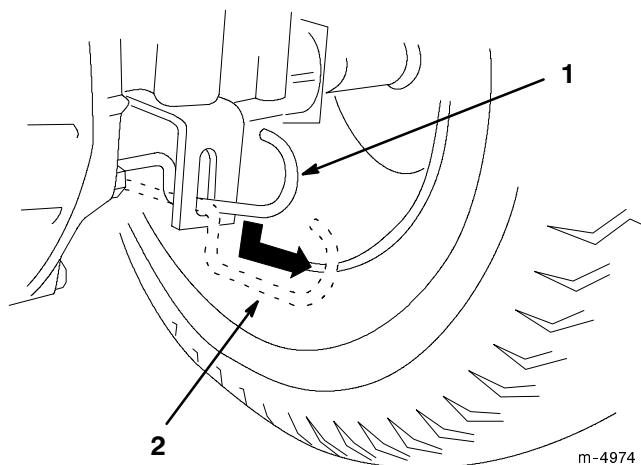
### To Push the Machine

1. Disengage the blade control (PTO), stop the engine, and remove the ignition key.
2. Pull the drive control out to the “PUSH” position. This disengages the drive system and allows the wheels to turn freely (Fig. 12).

### To Operate the Machine

1. Push the drive control in to the “OPERATE” position. This engages the drive system (Fig. 12).

**Note:** The machine will not drive unless the drive control is in the “OPERATE” position.



**Figure 12**

1. Operate position
2. Push position

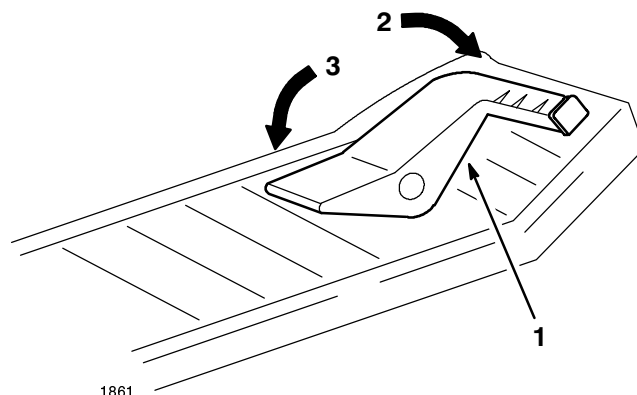
## Driving Forward or Backward

The throttle control regulates the engine speed as measured in rpm (revolutions per minute). Place the throttle control in the “FAST” position for best performance.

To go forward or backward, release the parking brake; refer to Releasing the Parking Brake, page 11. Place your foot on the traction control pedal and slowly press on the top of the traction control pedal to move forward or on the bottom of the traction control pedal to move backward (Fig. 13). The farther you move the traction control pedal in either direction, the faster the machine will move in that direction.

To slow down release the pressure on the traction control pedal.

**IMPORTANT:** To avoid transmission damage, always release the parking brake before moving the traction control pedal.



**Figure 13**

1. Traction control pedal
2. Forward
3. Backward

## Stopping the Machine

To stop the machine, release the traction control pedal, disengage the blade control (PTO), and turn the ignition key to “OFF” to stop the engine. Also set the parking brake if you leave the machine unattended; refer to Setting the Parking Brake, page 11. Remember to remove the key from the ignition switch.

### CAUTION

#### POTENTIAL HAZARD

- Someone could move or attempt to operate the tractor while it is unattended.

#### WHAT CAN HAPPEN

- Children or bystanders may be injured if they use the tractor.

#### HOW TO AVOID THE HAZARD

- Always remove the ignition and KeyChoice keys and set the parking brake when leaving the machine unattended, even if just for a few minutes.

## Side Discharge or Mulch Grass

### DANGER

#### POTENTIAL HAZARD

- Without the grass deflector, mulch baffle, or complete grass catcher assembly mounted in place, you and others are exposed to blade contact and thrown debris.

#### WHAT CAN HAPPEN

- Contact with rotating mower blade(s) and thrown debris will cause injury or death.

#### HOW TO AVOID THE HAZARD

- NEVER remove the grass deflector from the mower because the grass deflector routes material down toward the turf. If the grass deflector is ever damaged, replace it immediately.
- Never put your hands or feet under the mower.
- Never try to clear discharge area or mower blades unless you move the power take off (PTO) to “OFF” and rotate the ignition key to “OFF.” Also remove the key and pull the wire off the spark plug(s).

1. The mower has a hinged grass deflector that disperses clippings to the side and down toward the turf.
2. To mulch grass clippings you must install the Recycler<sup>®</sup> baffles (optional on some models) into the mower; refer to Installing the Recycler<sup>®</sup> Baffle, page 41.

## Tips for Mowing Grass

### Fast Throttle Setting

For best mowing and maximum air circulation, operate the engine at “FAST.” Air is required to thoroughly cut grass clippings, so do not set the height-of-cut so low as to totally surround the mower

by uncut grass. Always try to have one side of the mower free from uncut grass, which allows air to be drawn into the mower.

### **Using the Mower for the First Time**

Cut grass slightly longer than normal to ensure the cutting height of the mower does not scalp any uneven ground. However, the cutting height used in the past is generally the best one to use. When cutting grass longer than six inches tall, you may want to cut the lawn twice to assure an acceptable quality of cut.

### **Cut 1/3 of the Grass Blade**

It is best to cut only about 1/3 of the grass blade. Cutting more than that is not recommended, unless grass is sparse or it is late fall when grass grows more slowly.

### **Mowing Direction**

Alternate mowing direction to keep the grass standing straight. This also helps disperse clippings which enhances decomposition and fertilization.

### **Mow at Correct Intervals**

Normally, mow every 4 days. But remember, grass grows at different rates at different times. So to maintain the same cutting height, which is a good practice, mow more often in early spring. As the grass growth rate slows in mid summer, mow less frequently. If you cannot mow for an extended period, first mow at a high cutting height; then mow again 2 days later at a lower height setting.

### **Ground Speed**

To improve cut quality, use a slower ground speed. For best operation on average lawns, operate the engine at full throttle while controlling the ground speed with the transmission. The tractor should be operated at 2 to 3.5 MPH (3.2 to 5.6 km/hr) while mowing grass. Uneven cutting is often a result of excessive ground speed.

### **Avoid Cutting Too Low**

If the cutting width of the mower is wider than the mower you previously used, raise the cutting height one notch to ensure uneven turf is not cut too short. Average lawns are usually cut at a height between 2 and 3 inches (5 to 7.6 cm).

### **Long Grass**

If the grass is ever allowed to grow slightly longer than normal, or if it contains a high degree of moisture, raise the cutting height higher than usual and cut the grass at this setting. Then cut the grass again using the lower, normal setting.

### **When Stopping**

If the machine's forward motion must be stopped while mowing, a clump of grass clippings may drop onto your lawn. To avoid this:

1. With the blade(s) "ENGAGED," move onto a previously cut area.
2. To disperse the clippings evenly, raise the mower one or two height-of-cut settings while driving forward with the blade(s) "ENGAGED."

### **Keep the Underside of the Mower Clean**

Use the washout port to clean clippings and dirt from the underside of the mower after each use. If grass and dirt build up inside the mower, cutting quality will eventually become unsatisfactory.

### **Blade Maintenance**

Maintain a sharp blade throughout the cutting season because a sharp blade cuts cleanly without tearing or shredding the grass blades. Tearing and shredding turns grass brown at the edges, which slows growth and increases the chance of disease. Every 30 days, check the cutter blade(s) for sharpness and file down any nicks.

# Maintenance

## Service Interval Chart

Service Operation	Each Use	5 Hours	25 Hours	50 Hours	Storage Service	Spring Service	Notes
Oil—check level	X						
Mower Housing—clean	X	X			X		
Safety System—check	X	X	X			X	
Battery—check electrolyte	X	X	X		X	X	
Oil—initial change		X					
Cutter Blade—check		X	X		X		
Brake—check		X	X		X	X	
Oil—periodic change			X		X		
Engine—clean outside			X		X		
Tires—check pressure			X		X	X	
Spark Plug—check			X		X	X	
Chassis—grease			X		X		More often in dusty, dirty conditions
Foam Air Cleaner—service			X		X		
Paper Air Cleaner—replace					X		
Oil Filter				X			
Transaxle Fluid—check					X		Or every 100 hours
Belts—check for wear/cracks					X		
Gasoline—drain					X		
Chipped Surfaces—paint					X		
Battery—charge, disconnect cables					X		
Fuel Filter—replace					X		

**IMPORTANT:** Refer to your engine operator's manual for additional maintenance procedures.

## ! CAUTION

### POTENTIAL HAZARD

- If you leave the key in the ignition switch, someone could start the engine.

### WHAT CAN HAPPEN

- Accidental starting of the engine could seriously injure you or other bystanders.

### HOW TO AVOID THE HAZARD

- Remove the key from the ignition switch and pull the wire off the spark plug before you do any maintenance. Also push the wire aside so it does not accidentally contact the spark plug.

## Greasing and Lubrication

### Service Interval/Specification

Grease the machine after every 25 operating hours or once a year, whichever occurs first. Grease more frequently when operating conditions are extremely dusty or sandy.

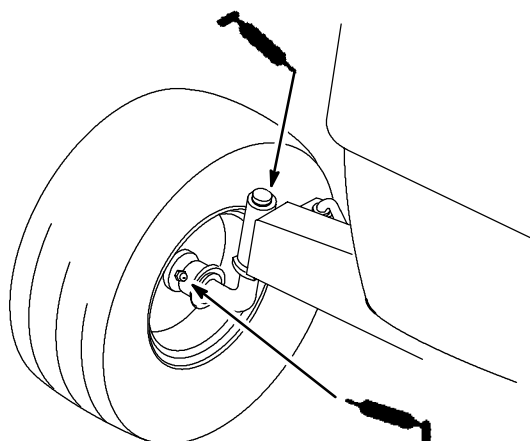
Grease Type: General-purpose grease.

### How to Grease

1. Disengage the blade control (PTO), set the parking brake, stop the engine, and remove the ignition key.
2. Clean the grease fittings with a rag. Make sure to scrape any paint off the front of the fitting(s).
3. Connect a grease gun to the fitting. Pump grease into the fittings.
4. Wipe up any excess grease.

### Where to Add Grease

1. Lubricate the front wheels until grease begins to ooze out the bearings (Fig. 14).



2346

**Figure 14**

## Tire Pressure

### Service Interval/Specification

Maintain the air pressure in the front and rear tires at 20 psi (138 kPa). Check the pressure at the valve stem after every 25 operating hours or yearly, whichever occurs first (Fig. 15). Check the tires when they are cold to get the most accurate pressure reading.

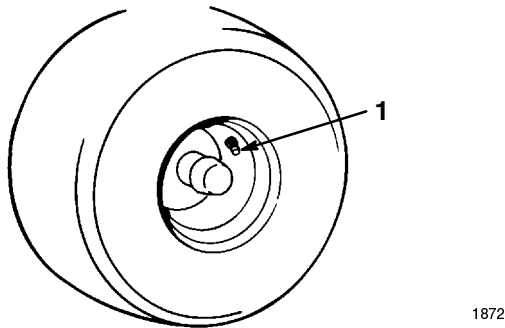


Figure 15

1. Valve stem

## Brake

The brake is on the right side of the rear axle, inside the rear tire (Fig. 16). If the parking brake does not hold securely, an adjustment is required.

### Checking the Brake

1. Park the machine on a level surface, disengage the blade control (PTO), set the parking brake, stop the engine, and remove the ignition key.
2. Move the drive control wire to the "PUSH" position; refer to Pushing the Machine by Hand, page 17.
3. If the rear wheels lock and skid when you push the tractor forward, no adjustment is required. An adjustment is required if the wheels turn and do not lock; refer to Adjusting the Brake, page 22.

### Adjusting the Brake

1. Check the brake before you adjust it; refer to Checking the Brake, page 22.
2. Remove the brake arm spring (Fig. 16).
3. Remove the cotter pin securing the brake adjusting nut and slightly loosen the nut (Fig. 16).
4. Insert a 0.015" (.38 mm) feeler gauge between the brake disc and brake puck (Fig. 16). Tighten the nut until slight resistance is felt on the feeler gauge when sliding it in and out.
5. Install a new cotter pin and reattach the brake arm spring.
6. Check the brake operation again; refer to Checking the Brake, page 22.

**IMPORTANT: With the parking brake released, the rear wheels must rotate freely when you push the tractor. If the .015" (.38 mm) clearance and free wheel rotation cannot be achieved, contact your service dealer immediately.**

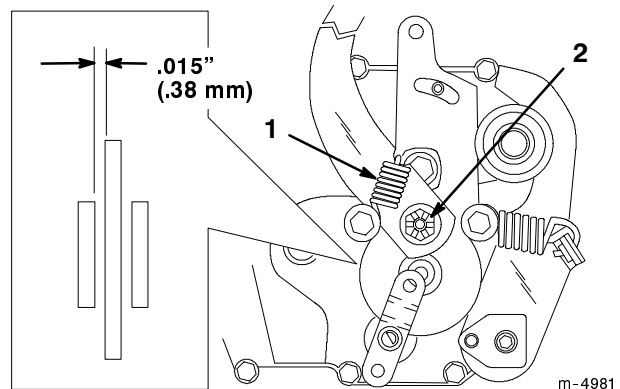


Figure 16

1. Brake arm spring

2. Brake adjusting nut

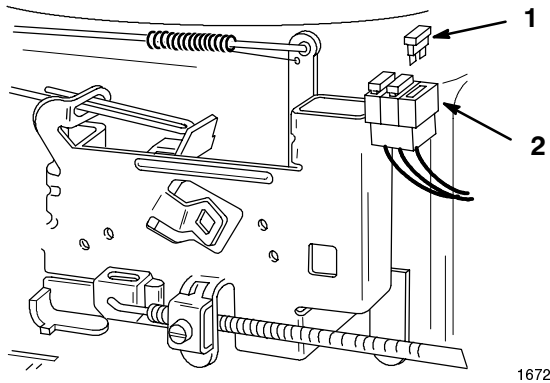


## Fuse

### Service Interval/Specification

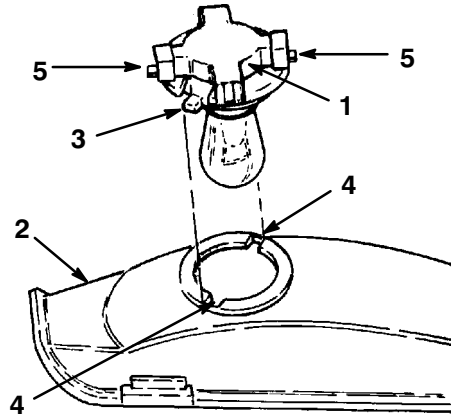
The electrical system is protected by fuses. No maintenance is required, however, if a fuse blows check the circuit wiring for a short. To replace a fuse pull up (Fig. 17) to remove from the socket. Push down to insert.

Fuse: 10 amp, blade-type.



**Figure 17**

1. Fuse (removed)
2. Socket

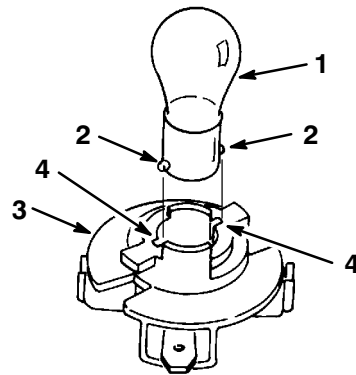


**Figure 18**

1. Bulb holder
2. Reflector
3. Tabs
4. Slots
5. Terminals

### Installing the Bulb

1. The bulb has metal pins on the side of its base. Align the pins with the slots in the bulb holder and insert the base into the holder (Fig. 19). Push and rotate the bulb clockwise until it stops.



**Figure 19**

1. Bulb
2. Metal pins
3. Bulb holder
4. Slots

## Headlights

Specification: Bulb # 1156, automotive type.

### Removing the Bulb

1. Disengage the blade control (PTO), set the parking brake, stop the engine, and remove the ignition key.
2. Open the hood. Pull wire connectors off both bulb holder terminals.
3. Rotate the bulb holder 1/4 turn counterclockwise and remove it from the reflector (Fig. 18).
4. Push and rotate the bulb counterclockwise until it stops (approx. 1/4 turn) and remove bulb from the bulb holder (Fig. 19).

2. The bulb holder has two tabs (Fig. 18). Align the tabs with the slots in the reflector, insert the bulb holder into the reflector and rotate it 1/4 turn clockwise until it stops.
3. Push the wire connectors onto the terminals on the bulb holder.

## Battery

### WARNING

Battery posts, terminals, and related accessories contain lead and lead compounds, chemicals known to the State of California to cause cancer and reproductive harm. *Wash hands after handling.*

### Service Interval/Specification

Check the electrolyte level in the battery before each use. Always keep the battery clean and fully charged. Use a paper towel to clean the battery and battery box. If the battery terminals are corroded, clean them with a solution of four parts water and one part baking soda. Apply a light coating of grease to the battery terminals to prevent corrosion.

Voltage: 12 v, 155 Cold Cranking Amps

### Removing the Battery

1. Disengage the blade control (PTO), set the parking brake, stop the engine, and remove the ignition key.
2. Tip the seat forward to see the battery.
3. Disconnect the negative (black) ground cable from the battery post (Fig. 20).

### WARNING

#### POTENTIAL HAZARD

- Battery terminals or metal tools could short against metal tractor components.

#### WHAT CAN HAPPEN

- Sparks can cause the battery gasses to explode and personal injury.

#### HOW TO AVOID THE HAZARD

- When removing or installing the battery, do not allow the battery terminals to touch any metal parts of the tractor.
- Do not allow metal tools to short between the battery terminals and metal parts of the tractor.

### WARNING

#### POTENTIAL HAZARD

- Incorrect battery cable routing could damage the cables and tractor.

#### WHAT CAN HAPPEN

- Damaged cables could short against metal tractor components and cause sparks.
- Sparks can cause the battery gasses to explode and personal injury.

#### HOW TO AVOID THE HAZARD

- Always **DISCONNECT** the negative (black) battery cable before disconnecting the positive (red) cable.
- Always **RECONNECT** the positive (red) battery cable before reconnecting the negative (black) cable .

- Slide the rubber cover up the positive (red) cable. Disconnect the positive (red) cable from the battery post (Fig. 20).
- Remove the battery box and battery from the chassis (Fig. 20).

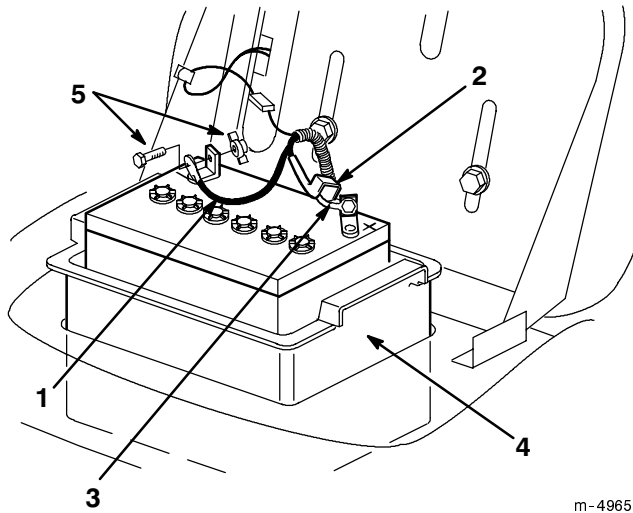


Figure 20

- |                           |                      |
|---------------------------|----------------------|
| 1. Negative cable (black) | 4. Battery box       |
| 2. Rubber cover           | 5. Bolt and wing nut |
| 3. Positive cable (red)   |                      |

## Checking Electrolyte Level

- Tip the seat forward to see the battery.
- Open the vent caps to see into the cells. The electrolyte must be up to the bottom of the vent well (Fig. 21). Do not allow the electrolyte to get below the plates. (Fig. 21).
- If the electrolyte is low, add the required amount of distilled water; refer to Adding Water to the Battery, page 26.

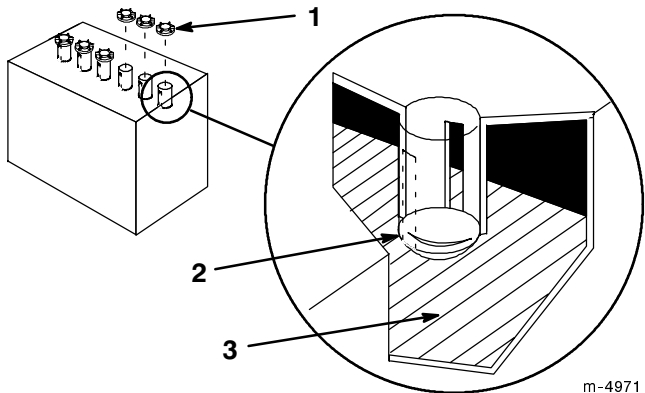


Figure 21

- |                        |           |
|------------------------|-----------|
| 1. Vent caps           | 3. Plates |
| 2. Bottom of vent well |           |

## Installing the Battery

- Put the battery into the battery box and install into the chassis (Fig. 20).
- Using the bolt and wing nut, connect the positive (red) cable to the positive (+) battery post (Fig. 20). Slide the rubber cover over the battery post.
- Using the bolt and wing nut, connect the negative (black) cable to the negative (-) battery post (Fig. 20).

## Adding Water to the Battery

The best time to add distilled water to the battery is just before you operate the machine. This lets the water mix thoroughly with the electrolyte solution.

- Remove the battery from the tractor; refer to Removing the Battery, page 25.
- Clean the top of the battery with a paper towel.

**Note:** Never fill the battery with distilled water while the battery installed in the tractor. Electrolyte could be spilled on other parts and cause corrosion.

3. Remove the vent caps from the battery (Fig. 21).
4. Slowly pour distilled water into each cell until the electrolyte level is up to the bottom of the vent wells (Fig. 21).



## DANGER

### POTENTIAL HAZARD

- **Battery electrolyte contains sulfuric acid which is a deadly poison and it causes severe burns.**

### WHAT CAN HAPPEN

- **If you carelessly drink electrolyte you could die or if it gets onto your skin you will be burned.**

### HOW TO AVOID THE HAZARD

- **Do not drink electrolyte and avoid contact with skin, eyes, or clothing. Wear safety glasses to shield your eyes and rubber gloves to protect your hands.**
- **Fill the battery where clean water is always available for flushing the skin.**
- **Follow all instructions and comply with all safety messages on the electrolyte container.**

5. Wait five to ten minutes after filling the battery cells. Add distilled water, if necessary, until the electrolyte level is back up to the bottom of the vent wells.

**IMPORTANT: Do not overfill the battery because electrolyte (sulfuric acid) can cause severe corrosion and damage to the chassis.**

6. Reinstall the battery vent caps.

## Charging the Battery

**IMPORTANT: Always keep the battery fully charged (1.265 specific gravity). This is especially important to prevent battery damage when the temperature is below 32°F (0°C).**

1. Remove the battery from the chassis; refer to Removing the Battery, page 25.
2. Check the electrolyte level; refer to Checking Electrolyte Level, page 26.
3. Make sure the vent caps are installed in the battery. Connect a battery charger to the battery posts. Charge the battery for 10 to 15 minutes at 25-30 amps or 30 minutes at 4-6 amps. Do not overcharge the battery.



## WARNING

### POTENTIAL HAZARD

- **Charging the battery produces gasses.**

### WHAT CAN HAPPEN

- **Battery gasses can explode.**

### HOW TO AVOID THE HAZARD

- **Keep cigarettes, sparks and flames away from battery.**

4. When the battery is fully charged, unplug the charger from the electrical outlet, then disconnect the charger leads from the battery posts.
5. Install the battery in the tractor; refer to Installing the Battery, page 26.

## Spark Plug

### Service Interval/Specification

Install a new spark plug after every 100 operating hours. Check the spark plug after every 25 operating hours. Make sure the air gap between the center and side electrodes is correct before installing the spark plug. Use a spark plug wrench for removing and installing the spark plug and a gapping tool/feeler gauge to check and adjust the air gap.

Type: Champion RC12YC (or equivalent)  
Air Gap: 0.030" (0.762 mm).

### Removing the Spark Plug

1. Disengage the blade control (PTO), set the parking brake, stop the engine, and remove the ignition key.
2. Open the hood.
3. Pull the wire off the spark plug (Fig. 22). Now clean around the spark plug to prevent dirt from falling into the engine and potentially causing damage.
4. Remove the spark plug and metal washer.

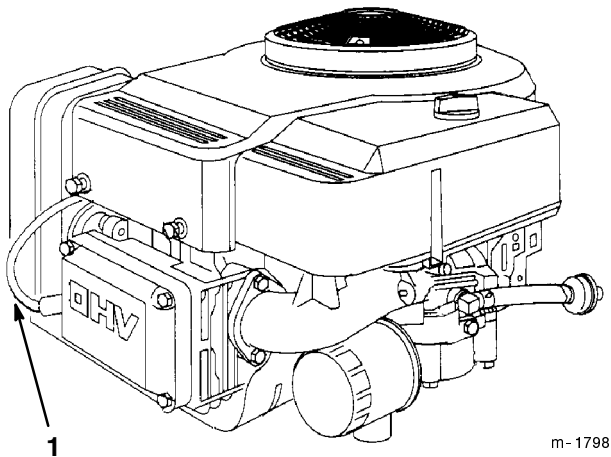


Figure 22

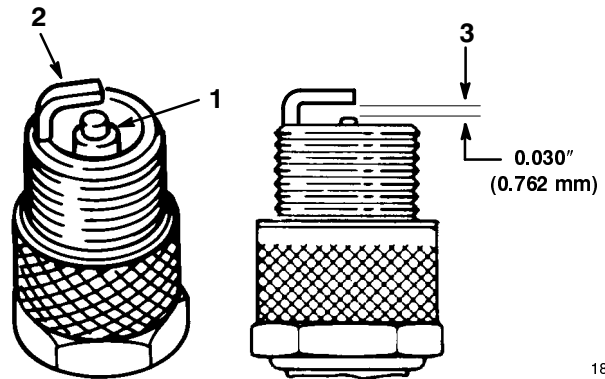
1. Spark plug wire

### Checking the Spark Plug

1. Look at the center of the spark plug (Fig. 23). If you see light brown or gray on the insulator, the engine is operating properly. A black coating on the insulator usually means the air cleaner is dirty.

**IMPORTANT: Never clean the spark plug. Always replace the spark plug when it has a black coating, worn electrodes, an oily film, or cracks.**

2. Check the gap between the center and side electrodes (Fig. 23). Bend the side electrode (Fig. 23) if the gap is not correct.



1870

Figure 23

1. Center electrode insulator
2. Side electrode
3. Air gap (not to scale)

### Installing the Spark Plug

1. Install the spark plug and metal washer. Make sure the air gap is set correctly.
2. Tighten the spark plug to 15 ft-lb (20.4 Nm).
3. Push the wire onto the spark plug (Fig. 22).
4. Close the hood.

## Fuel Tank

### Draining The Fuel Tank

#### DANGER

##### POTENTIAL HAZARD

- In certain conditions gasoline is extremely flammable and highly explosive.

##### WHAT CAN HAPPEN

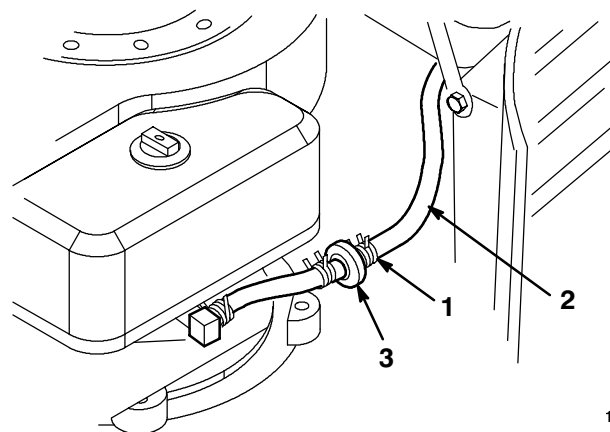
- A fire or explosion from gasoline can burn you, others, and cause property damage.

##### HOW TO AVOID THE HAZARD

- Drain gasoline from the fuel tank when the engine is cold. Do this outdoors in an open area. Wipe up any gasoline that spills.
- Never drain gasoline near an open flame or where gasoline fumes may be ignited by a spark.
- Never smoke a cigarette, cigar or pipe.

1. Park the machine so that the left front side is slightly lower than the right side to assure fuel tank drains completely. Then disengage the blade control (PTO), set the parking brake, stop the engine, and remove the ignition key.
2. Open the hood and locate the fuel filter (Fig. 24).
3. Squeeze the ends of the hose clamp together and slide it up the fuel line toward the fuel tank (Fig. 24).
4. Pull the fuel line off the filter (Fig. 24) and allow gasoline to drain into a gas can or drain pan.
 

**Note:** Now is the best time to install a new fuel filter because the fuel tank is empty.
5. Install the fuel line onto the filter. Slide the hose clamp close to the filter to secure the fuel line and filter.



1873

**Figure 24**

- |               |           |
|---------------|-----------|
| 1. Hose clamp | 3. Filter |
| 2. Fuel line  |           |

## Fuel Filter

### Service Interval/Specification

Replace the fuel filter after every 100 operating hours or yearly, whichever occurs first.

### Replacing the Fuel Filter

The best time to replace the fuel filter (Fig. 24) is when the fuel tank is empty. Never install a dirty filter if it is removed from the fuel line.

1. Disengage the blade control (PTO), set the parking brake, stop the engine, and remove the ignition key.
2. Open the hood.
3. Squeeze the ends of the hose clamps together and slide them away from the filter (Fig. 24).
4. Remove the filter from the fuel lines.
5. Install a new filter and move the hose clamps close to the filter.
6. Close the hood.

## Air Cleaner

### Service Interval/Specification

Foam Element: Clean and re-oil after every 25 operating hours, or yearly, whichever occurs first.

Paper Element: Replace after every 100 operating hours or yearly, whichever occurs first.

**Note:** Service the air cleaner more frequently (every few hours) if operating conditions are extremely dusty or sandy.

### Removing the Foam and Paper Elements

1. Disengage the blade control (PTO), set the parking brake, stop the engine, and remove the ignition key.
2. Open the hood.
3. Clean around the air cleaner to prevent dirt from getting into the engine and causing damage. Unscrew the knob and remove the air cleaner cover (Fig. 25).

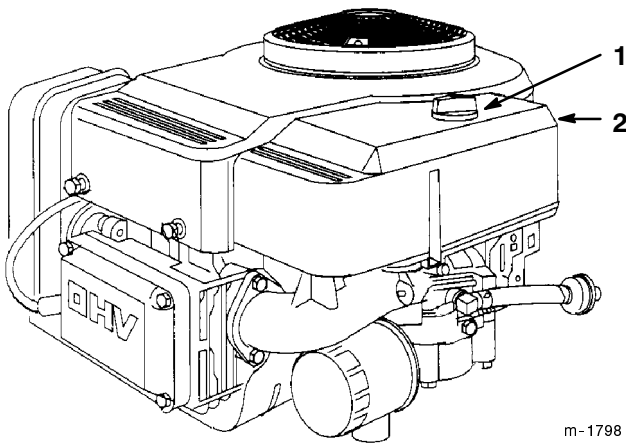


Figure 25

1. Knob
2. Air cleaner cover

4. Carefully slide the foam element off the paper element (Fig. 26).

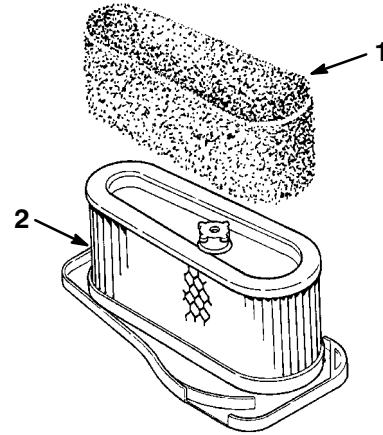


Figure 26

1. Foam element
2. Paper element

1864

5. Unscrew the rubber nut and remove the paper element (Fig. 27).

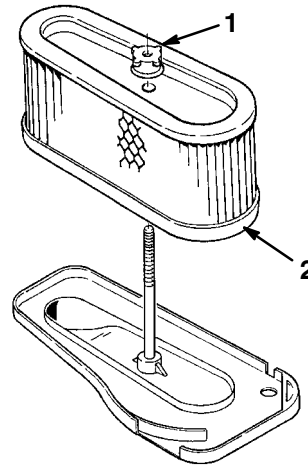


Figure 27

1. Rubber nut
2. Paper element

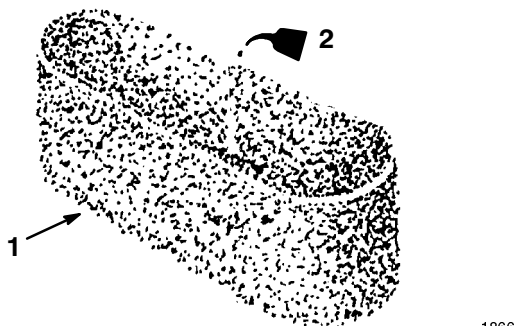
1865

## Cleaning the Foam and Paper Elements

### 1. Foam Element

- A. Wash the foam element in liquid soap and warm water. When the element is clean, rinse it thoroughly.
- B. Dry the element by squeezing it in a clean cloth.
- C. Put one or two ounces of oil on the element (Fig. 28). Squeeze the element to distribute the oil.

**IMPORTANT:** Replace the foam element if it is torn or worn.



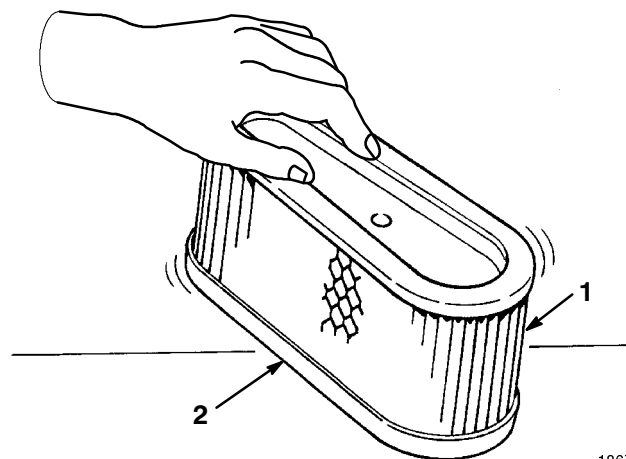
**Figure 28**

1. Foam element
2. Oil

### 2. Paper Element

- A. Lightly tap the element on a flat surface to remove dust and dirt (Fig. 29).
- B. Inspect the element for tears, an oily film, and damage to the rubber seal.

**IMPORTANT:** Never clean the paper element with pressurized air or liquids, such as solvent, gas, or kerosene. Replace the paper element if it is damaged or cannot be cleaned thoroughly.



**Figure 29**

1. Paper element
2. Rubber seal

## Installing the Foam and Paper Elements

**IMPORTANT:** To prevent engine damage, always operate the engine with the complete foam and paper air cleaner assembly installed.

1. Carefully slide the foam element onto the paper air cleaner element (Fig. 26).
2. Slide the air cleaner assembly onto the long rod. Now screw the rubber nut finger-tight against the air cleaner (Fig. 27).

**Note:** Make sure the rubber seal is flat against the air cleaner base.

3. Install the air cleaner cover and knob (Fig. 25). Tighten the knob snugly.
4. Close the hood.

## Engine Oil

### Service Interval/Specification

Check the oil level before each use.

Change oil:

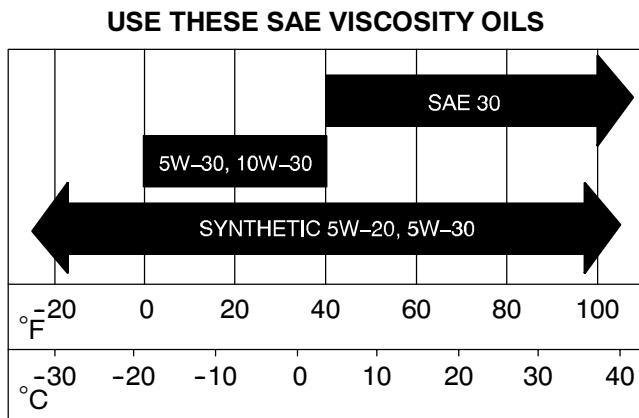
- After the first 5 operating hours.
- After every 25 operating hours.

**Note:** Change oil more frequently when operating conditions are extremely dusty or sandy.

Oil Type: Detergent oil (API service SF, SG, SH, SJ or higher)

Crankcase Capacity: 48 oz/1-1/2 qt (1400 cc/1.4 l) when filter is not changed;  
56 oz/1-3/4 qt (1700 cc/1.7 l) when filter is changed.

Viscosity: See table below



### Checking Oil Level

1. Park the machine on a level surface, disengage the blade control (PTO), set the parking brake, stop the engine, and remove the ignition key.
2. Open the hood.
3. Clean around the oil dipstick (Fig. 30) so dirt cannot fall into the filler hole and damage the engine.

4. Unscrew the oil dipstick and wipe the metal end clean (Fig. 30).
5. Screw the oil dipstick fully onto the filler tube (Fig. 30). Unscrew the dipstick again and look at the metal end. If oil level is low, slowly pour only enough oil into the filler tube to raise the level to the "FULL" mark.

**IMPORTANT: Do not overfill the crankcase with oil because the engine may be damaged.**

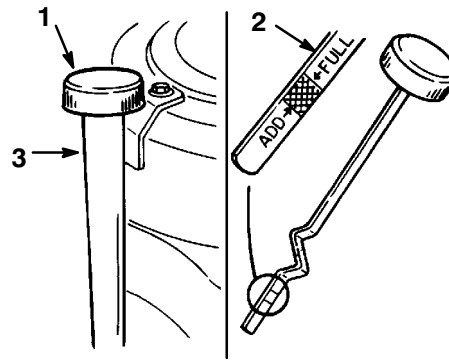


Figure 30

1. Oil dipstick
2. Metal end
3. Filler tube

### Changing/Draining Oil

1. Start the engine and let it run five minutes. This warms the oil so it drains better.
2. Park the machine so that the right front side is slightly lower than the left side to assure the oil drains completely. Then disengage the blade control (PTO), set the parking brake, stop the engine, and remove the ignition key.

3. Open the hood.
4. Place a pan below the oil dipstick/fill tube and remove the drain plug (Fig. 31).
5. When oil has drained completely, install the drain plug.

**Note:** Dispose of the used oil at a certified recycling center.

6. Change oil filter. (Fig. 32).

- Slowly pour approximately 80% of the specified amount of oil into the filler tube (Fig. 30). Now check the oil level; refer to Checking Oil Level, page 32, steps 4-5.

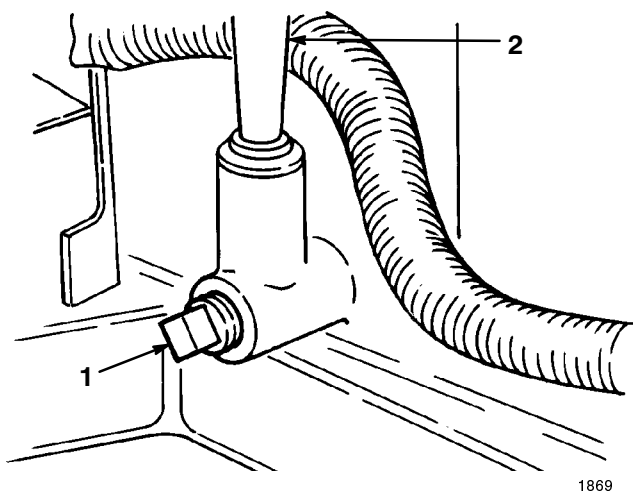


Figure 31

- Oil drain plug
- Oil dipstick/fill tube

### Change Oil Filter—Service Interval/Specification

Replace the oil filter every 50 hours or every other oil change.

**Note:** Change oil filter more frequently when operating conditions are extremely dusty or sandy.

- Drain the oil from the engine; refer to Changing/Draining Oil, page 32.
- Remove the old filter and wipe the filter adapter (Fig. 32) gasket surface.
- Apply a thin coat of new oil to the rubber gasket on the replacement filter (Fig. 32).

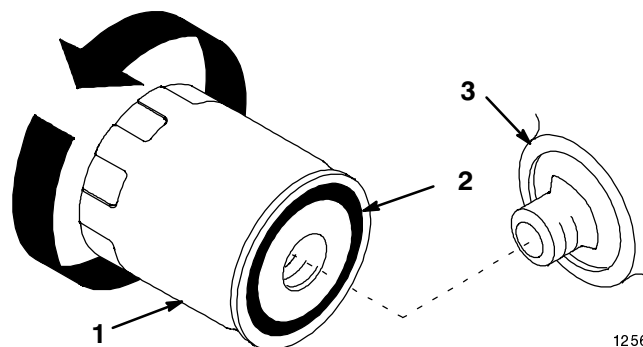


Figure 32

- Oil filter
- Gasket
- Adapter

- Install the replacement oil filter to the filter adapter. Turn the oil filter clockwise until the rubber gasket contacts the filter adapter, then tighten the filter an additional 1/2 turn (Fig. 32).
- Slowly pour approximately 80% of the specified amount of oil into the filler tube (Fig. 30). Now check the oil level; refer to Checking Oil Level, page 32, steps 4 and 5.

## Transaxle Fluid

### Service Interval/Specification

Check fluid level after every 100 hours or yearly, whichever occurs first. Always keep the fluid level at the full level when the transaxle is cold.

**Note:** The transaxle is factory sealed and does not require oil changes.

Fluid Type: SAE 20W-50 engine oil (API service SH/CD recommended)

### Checking Fluid Level

- Park the machine on a level surface, disengage the blade control (PTO), set the parking brake, stop the engine, and remove the ignition key.

2. Clean around the fill plug (Fig. 33) so dirt cannot fall into the reservoir if fluid needs to be added.
3. Remove the fill plug and check the fluid level. The level should not be more than 1-1/4" (32 mm) below the top of the fill port (Fig. 33). Add oil if necessary.

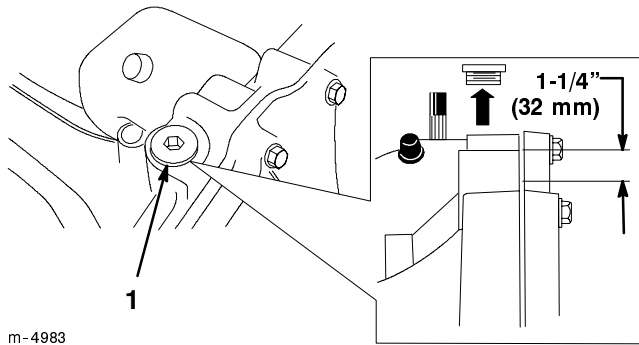


Figure 33

1. Fill plug

4. Replace the fill plug.

## Cutting Blade

To assure a superior quality of cut, keep the blade(s) sharp. For convenient sharpening and replacement, you may want to have an extra blade(s).

### WARNING

#### POTENTIAL HAZARD

- A blade that is worn or damaged could break apart and pieces could be thrown at bystanders or at you as you use the mower.

#### WHAT CAN HAPPEN

- Pieces of blade that may be thrown could seriously injure or kill you or bystanders.

#### HOW TO AVOID THE HAZARD

- Periodically inspect the blade for wear and damage. Immediately install a new blade if it is worn or damaged.

## Inspecting the Blade(s)

1. Remove the mower; refer to Removing the Mower, page 35.
2. Inspect the cutting edges (Fig. 34). If the edges are not sharp or have nicks, remove the blade(s) and sharpen them; refer to Sharpening the Blade(s), page 35.
3. Inspect the blade(s), especially the curved area (Fig. 34). If you notice any damage, wear, or a slot forming in this area (Fig. 34), immediately install a new blade.

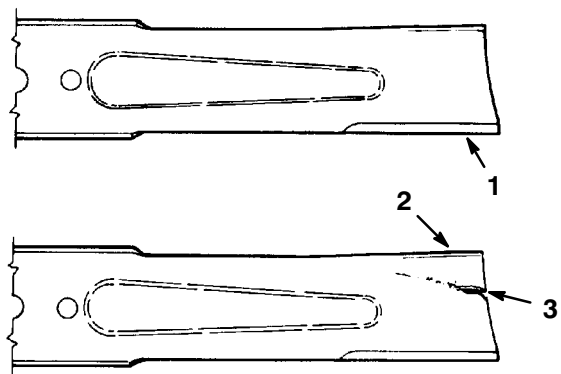


Figure 34

1. Cutting edge
2. Curved area
3. Wear/slot forming

151

## Removing the Blade

1. Remove the mower; refer to Removing the Mower, page 35.
2. Carefully tip the mower over.
3. Remove the bolt, curved washer, and blade (Fig. 35). A block of wood may be wedged between the blade and the mower to lock the blade when you are removing the bolt.
4. Inspect all parts. If a defect or damage is noticed, install new parts.

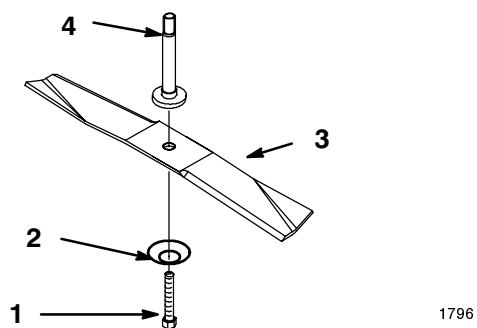


Figure 35

- |                  |            |
|------------------|------------|
| 1. Nut           | 3. Blade   |
| 2. Curved washer | 4. Spindle |

### Sharpening the Blade(s)

- Use a file to sharpen the cutting edge at both ends of the blade (Fig. 36). Maintain the original angle. The blade retains its balance if the same amount of material is removed from both cutting edges.

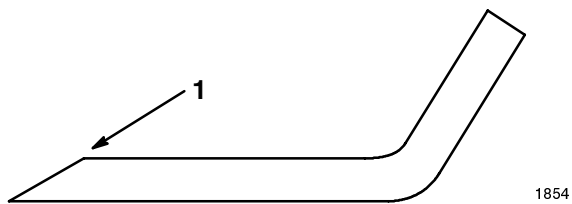


Figure 36

- Sharpen at original angle

- Check the balance of the blade by putting it on a blade balancer (Fig. 37). If the blade stays in a horizontal position, the blade is balanced and can be used. If the blade is not balanced, file some metal off the back side of the blade. Repeat this procedure until the blade is balanced.

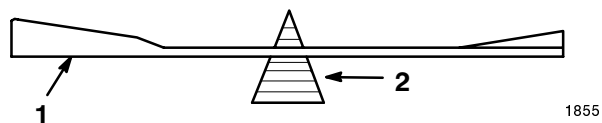


Figure 37

- |          |             |
|----------|-------------|
| 1. Blade | 2. Balancer |
|----------|-------------|

### Installing the Blade(s)

- Install the blade, curved washer (cupped side toward blade), and the blade bolt (Fig. 35).

**IMPORTANT: The curved part of the blade must be pointing toward the inside of the mower to assure proper cutting.**

- Tighten the blade nut to 40-60 ft-lb (54-81 Nm).

### Removing the Mower

- Park the machine on a level surface, disengage the blade control (PTO), set the parking brake, stop the engine, and remove the ignition key.
- Pull the wire off the spark plug.
- Move the height-of-cut lever (deck lift) into the "D" notch.
- Remove the height-of-cut lift assist spring from the retaining bolt (Fig. 38), using the spring tool provided with the machine. The spring is between the frame and the right rear wheel.

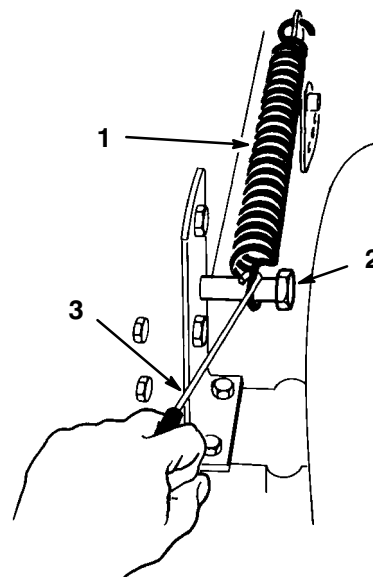


Figure 38

- |           |                |
|-----------|----------------|
| 1. Spring | 3. Spring tool |
| 2. Bolt   |                |

**CAUTION**

**POTENTIAL HAZARD**

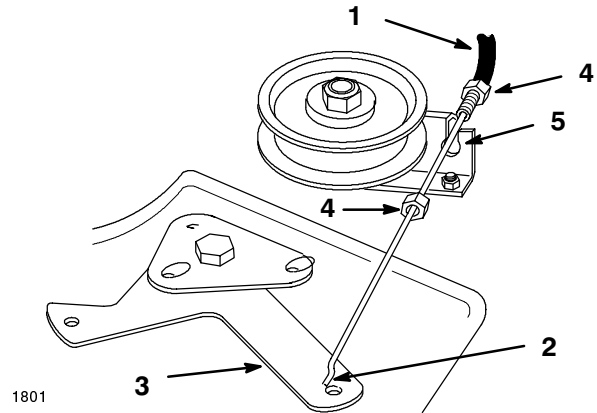
- The height-of-cut lever (deck lift) is spring-tensioned.

**WHAT CAN HAPPEN**

- When the mower is being removed, this spring-loaded mechanism could suddenly release and injure you or someone else.

**HOW TO AVOID THE HAZARD**

- Move the height-of-cut lever (deck lift) to the “D” position and remove the height-of-cut lift assist spring to release the spring tension.

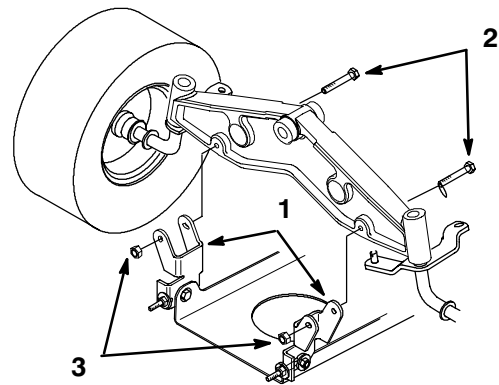


**Figure 39**

- |                              |                     |
|------------------------------|---------------------|
| 1. Blade control (PTO) cable | 4. Jam nut          |
| 2. Z end                     | 5. Mounting bracket |
| 3. Idler arm                 |                     |

5. Move the height-of-cut lever (deck lift) into the “A” notch.
6. Unhook the blade control (PTO) cable Z end from the idler arm on the mower (Fig. 39).
7. Remove rubber wiper and jam nut from blade control (PTO) at mounting bracket. Slide the cable from the bracket and re-install jam nut for safekeeping (Fig. 39).
8. Move the cable out of the way and lay inside frame rail so it cannot get caught in drive belts or pulleys.

9. Remove the bolts and lock nuts and pull the two mower pivot mount brackets down from the front axle (Fig. 40).



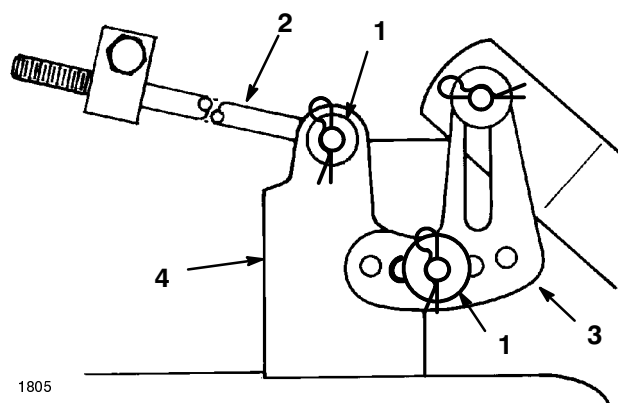
**Figure 40**

- |                          |             |
|--------------------------|-------------|
| 1. Pivot mount bracket   | 3. Lock nut |
| 2. Bolt 5/16-18 x 2-1/2" |             |

10. Remove the hair pin cotter and washer from the end of the long rod (Fig. 41). Slide the rod out of the mower mount.
11. Remove the hair pin cotter and washer at the mower leveling bracket (Fig. 41). Slide the bracket off the mounting pin. Re-install the washer and hairpin cotter for storage.

12. Rotate the leveling bracket up, toward the frame, and hook the long rod into one of the holes to store. Secure long rod with washer and hairpin cotter.
13. Repeat steps 10-12 on the opposite side of the mower.
14. Move the height-of-cut lever (deck lift) into the "D" notch. Hook lift assist spring onto retaining bolt for storage (Fig. 38).

**Note:** Do not install lift assist spring if rear tire chains are to be installed.

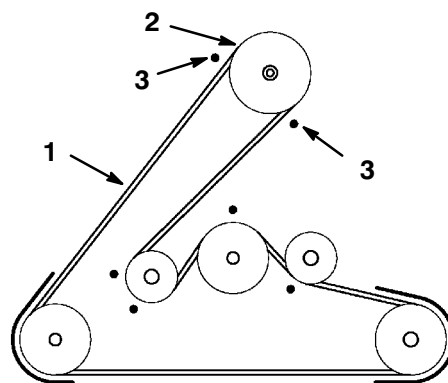


**Figure 41**

- |                               |                     |
|-------------------------------|---------------------|
| 1. Hair pin cotter and washer | 3. Leveling bracket |
| 2. Long rod                   | 4. Mower mount      |

15. Remove the mower belt from the engine pulley (Fig. 42). If you are careful, you can flex the belt guide(s) just far enough away from the pulley to remove the belt. If it is too difficult to remove the belt, loosen the bolts and nuts securing the belt guides. Tighten bolts.

**IMPORTANT:** Do not bend the belt guide(s) away from the pulley because the belt will not operate properly when the mower is installed later.



1850

**Figure 42**

Top View

- |                  |                |
|------------------|----------------|
| 1. Mower belt    | 3. Belt guides |
| 2. Engine pulley |                |

16. Turn the front wheels fully to the left. Slide the mower out to the right to complete removal.

## Installing the Mower

### DANGER

#### POTENTIAL HAZARD

- Without the grass deflector, mulch baffle, or complete grass catcher assembly mounted in place, you and others are exposed to blade contact and thrown debris.

#### WHAT CAN HAPPEN

- Contact with rotating mower blade(s) and thrown debris will cause injury or death.

#### HOW TO AVOID THE HAZARD

- NEVER remove the grass deflector from the mower because the grass deflector routes material down toward the turf. If the grass deflector is ever damaged, replace it immediately.
- Never put your hands or feet under the mower.
- Never try to clear discharge area or mower blades unless you move the power take off (PTO) to “OFF” and rotate the ignition key to “OFF.” Also remove the key and pull the wire off the spark plug(s).

1. Park the machine on a level surface, disengage the blade control (PTO), set the parking brake, stop the engine, and remove the ignition key.
2. Pull the wire off the spark plug.
3. Turn the front wheels fully to the left. Slide the mower under the chassis from the right side.
4. Install mower belt onto the lower engine pulley (Fig. 43). If you are careful, you can flex the belt guide(s) just far enough away from the pulley to install the belt. If it is too difficult to install the belt, loosen the bolts and nuts securing the belt guides.

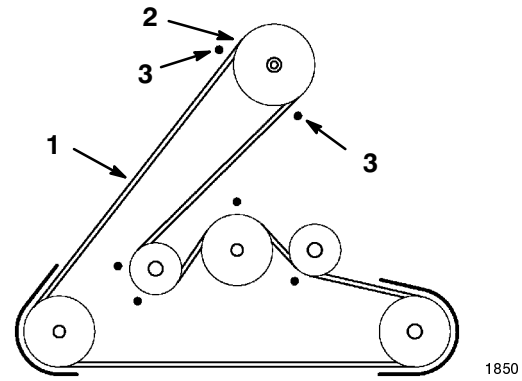


Figure 43

Top View

- |                  |               |
|------------------|---------------|
| 1. Mower belt    | 3. Belt guide |
| 2. Engine pulley |               |

**IMPORTANT:** Do not bend the belt guides away from the pulley. There must be a maximum 1/8" (3.175 mm) between the belt guide and the edge of the pulley to keep the belt on the pulley during operation. If the space is more than 1/8" (3.175 mm), adjust the belt guide(s) and tighten them securely. The belt guide must not contact the pulley.

5. Install the mower pivot mount brackets onto the front axle with bolts and lock nuts (Fig. 44). Tighten fasteners.

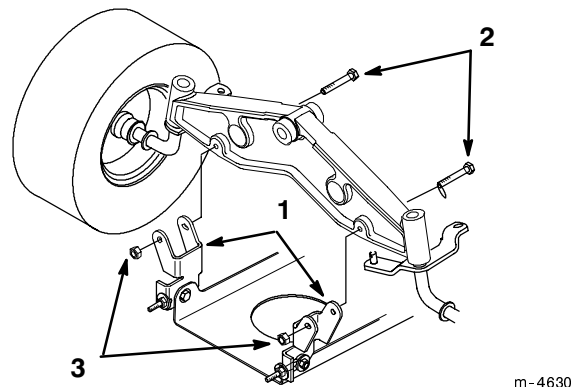


Figure 44

- |                          |             |
|--------------------------|-------------|
| 1. Pivot mount bracket   | 3. Lock nut |
| 2. Bolt 5/16-18 x 2-1/2" |             |

6. Move the height-of-cut lever (deck lift) into the "D" notch.
7. Remove the lift assist spring between the mower right side lift bracket and the retaining bolt (Fig. 45) Use the spring tool provided with the machine.
8. Move the height-of-cut lever (deck lift) into the "A" notch.

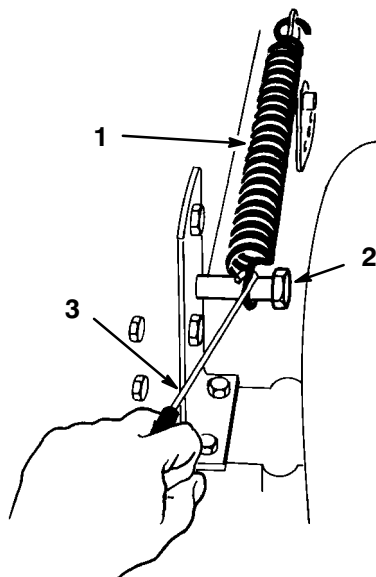


Figure 45

1. Spring
2. Bolt
3. Spring tool

9. Check that both rods extend 5/8" (15.875 mm) beyond adjustment block (Fig. 46).
10. Slide the end of the long rod through the hole in the mower mount (Fig. 46). Install the thin washer and hair pin cotter to secure the rod in place. Repeat this step on the opposite side of the mower.

11. Mount the slotted mower leveling bracket onto the pin on the mower mount (Fig. 46). Install the thick washer and hair pin cotter to secure the mower. Repeat this step on the opposite side of the mower.

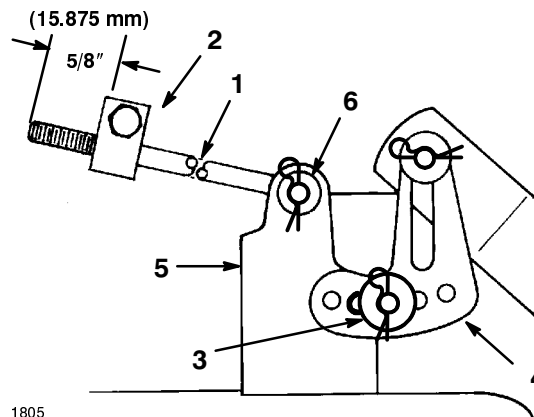
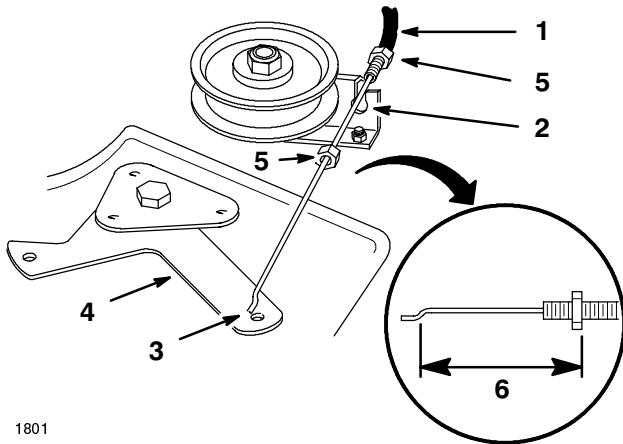


Figure 46

1. Rod
2. Adjusting block
3. Hair pin cotter and thick washer
4. Leveling bracket
5. Mower mount
6. Hair pin cotter and thin washer

12. Look under tractor and take down blade control (PTO) cable nested inside frame rail.
13. Thread first jam nut onto the blade control (PTO) cable all the way. Rout cable through slot in deck bracket and thread second jam nut onto cable (Fig. 47).
14. Hook Z end of blade control (PTO) cable into bellcrank arm (Fig. 47).
15. Engage blade control (PTO) lever on dash. Measure distance between Z end of cable and mounting bracket (Fig. 47). Adjust jam nuts so 3-1/2" (89 mm) dimension is obtained (Fig. 47).
16. Tighten jam nuts securely, replace the rubber boot, and disengage blade control (PTO).

17. Check that blade brake pads contact pulleys and actuating rods are loose when blade control (PTO) is disengaged, and that brake pads are away from pulleys when blade control (PTO) is engaged; see Adjusting Blade Brakes, page 42.

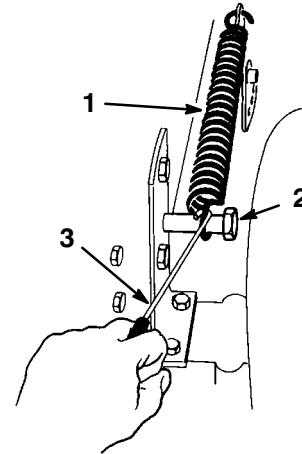


1801

**Figure 47**

- |                          |                           |
|--------------------------|---------------------------|
| 1. Blade control cable   | 4. Idler arm              |
| 2. Mounting bracket slot | 5. Jam nut                |
| 3. Cable Z end           | 6. 3-1/2" (89 mm) Engaged |

18. Move the height-of-cut lever (deck lift) into the "D" notch to make it easier to install the height-of-cut lift assist spring.
19. Hook the lift assist spring between the mower right side lift bracket and the retaining bolt (Fig. 48) Use the spring tool provided with the machine.



1851

**Figure 48**

- |           |                |
|-----------|----------------|
| 1. Spring | 3. Spring tool |
| 2. Bolt   |                |

20. Check mower level; refer to Side-to-Side Mower Leveling page 42, and Front-to-Rear Blade Leveling page 43.

## Installing the Recycler<sup>®</sup> Baffle

1. Thoroughly clean the mower. All debris must be removed to ensure baffle will fit properly against cutting chamber.
2. Place the left side baffle inside cutting chamber. Secure the baffle to mower with 1-1/4" bolts through baffle and outside of deck (Fig. 49). Secure with 5/16" lock nuts.
3. Tighten all mounting hardware securely.
4. Rotate blades to assure there is at least 1/8" clearance between blades and baffle.

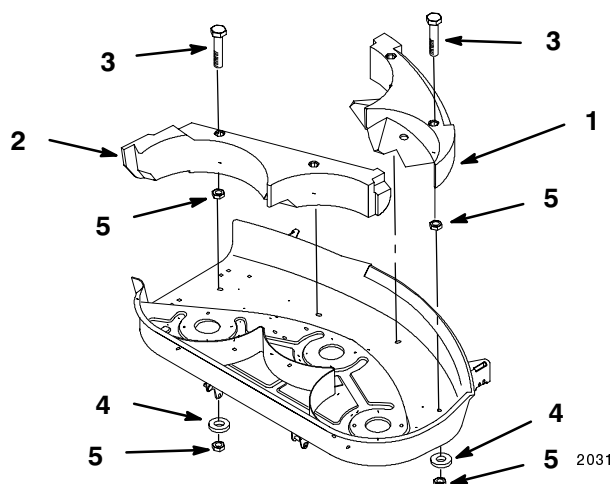


Figure 49

- |                          |                      |
|--------------------------|----------------------|
| 1. Baffle left side      | 4. Belleville washer |
| 2. Baffle right side     | 5. Lock nut 5/16"    |
| 3. Bolt 5/16-18 x 1-1/4" |                      |

## Removing the Recycler<sup>®</sup> Baffle

1. Thoroughly clean the mower.
2. Remove lock nuts from right side baffle (Fig. 49). Lift baffle and slide out of interlock with left side baffle to remove.

**Note:** Only the right side baffle need be removed for side discharge mowing.

**Note:** Save hardware for use when installing baffle.

3. Install 3/8-16 x 3/4" carriage bolts, 3/8" washer and 3/8" lock nuts, from loose parts package, in open holes of mower for safety.

### **!** DANGER

#### POTENTIAL HAZARD

- Open holes in the mower expose you and others to thrown debris.

#### WHAT CAN HAPPEN

- Debris thrown out of holes in the mower can cause injury.

#### HOW TO AVOID THE HAZARD

- Never operate mower without hardware mounted in all holes in mower.
- Install hardware in mounting holes when recycle baffle is removed.

## Blade Drive Belt

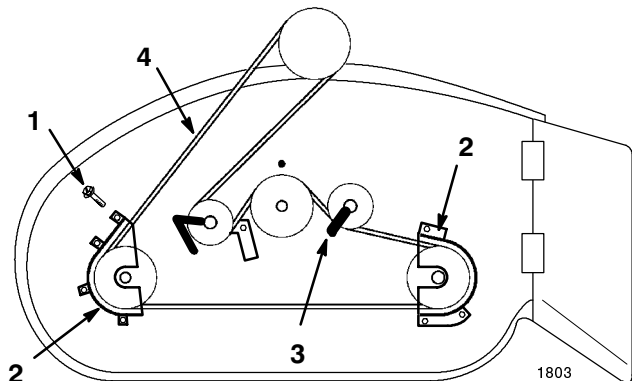
### Removing the Blade Drive Belt

1. Remove the mower; refer to Removing the Mower, page 35.
2. Remove the pulley cover mounting screws and pulley covers from blade pulleys (Fig. 50).
3. Loosen idler pulley mounting bolts to move belt guides (Fig. 50).
4. Remove the belt from the pulleys (Fig. 50).

### Installing the Blade Drive Belt

1. Install the new belt around the blade pulleys and the idler pulleys.
2. Adjust belt guide on idler pulley as shown and tighten mounting bolt (Fig. 50).

3. Install the left and right pulley covers with the mounting screws (Fig. 50).
4. Install the mower; refer to Installing the Mower, page 38.



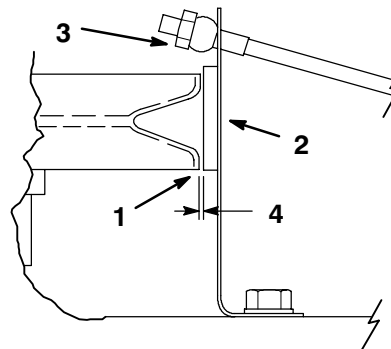
**Figure 50**  
Top View

- |                       |                |
|-----------------------|----------------|
| 1. Pulley cover screw | 3. Belt Guides |
| 2. Pulley cover       | 4. Mower belt  |

## Adjusting Blade Brakes

1. Engage blade control (PTO) lever.
2. Adjust blade control cable to the correct engaged dimension; refer to Installing the Mower, page 38.
3. Using a feeler gage, measure between the bottom flange of (3) blade pulley and brake pad (Fig. 51). Adjust lock nut on brake rods to obtain proper clearance .020-.060 inch (.5-1.5 mm) (Fig. 51).

4. Disengage blade control (PTO) lever, check that blade brake pads contact pulleys and actuating rods are loose when blade control (PTO) is disengaged, and that brake pads are away from pulleys when blade control (PTO) is engaged.



**Figure 51**

- |                  |  |
|------------------|--|
| 1. Bottom flange | 4. Clearance .020-.060 inch<br>(.5-1.5 mm) |
| 2. Brake pad     |  |
| 3. Lock nut      |  |

2270

## Side-to-Side Mower Leveling

The mower blades must be level from side to side. Check the side-to-side level any time you install the mower or when you see an uneven cut on your lawn. Before you level the mower, set the air pressure in the front and rear tires to the recommended inflation; refer to Tire Pressure, page 22.

1. Park the machine on a level surface, disengage the blade control (PTO), set the parking brake, stop the engine, and remove the ignition key.
2. Pull the wire off the spark plug.
3. Move the height-of-cut lever (deck lift) into the "C" notch.

- Carefully rotate blade(s) side to side (Fig. 52). Measure between the outside cutting edges and the flat surface (Fig. 52). If both measurements are not within  $3/16''$  (4.762mm), an adjustment is required; refer to steps 5 and 6.

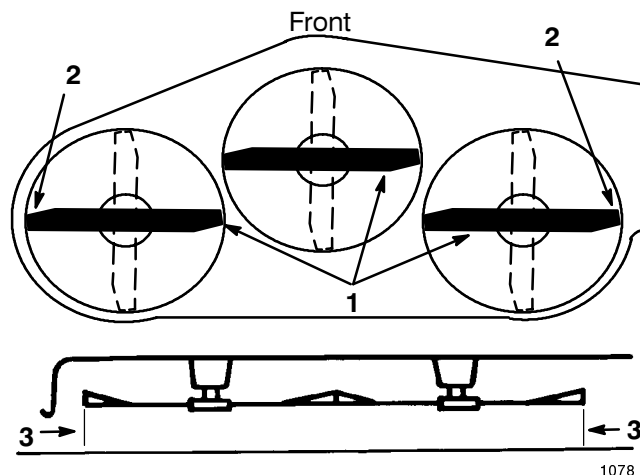


Figure 52

- Blades side to side
- Outside cutting edges
- Measure here

- Remove the hair pin cotter and washer from the leveling bracket (Fig. 53). To level the blade(s), reposition the leveling bracket(s) in a different hole and install the washer and hair pin cotter. (Fig. 53). A front hole lowers the blade height and a rear hole raises its height. Adjust both sides as required.

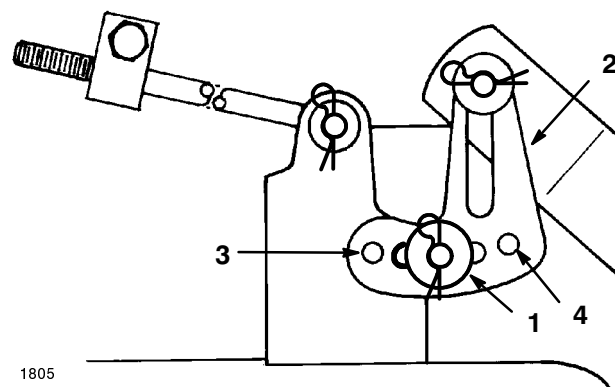


Figure 53

- Hair pin cotter and washer
- Leveling bracket
- Front hole
- Rear hole

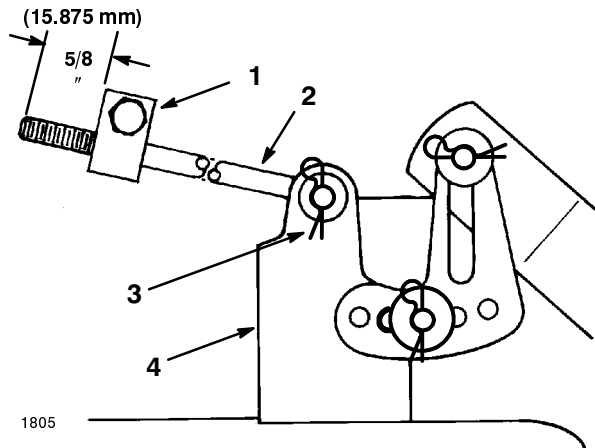
- Check the front-to-rear blade slope; refer to Front-to-Rear Blade Slope, page 43.

## Front-to-Rear Blade Slope

Check the front-to-rear blade slope any time you install the mower. Before you check the slope, set the air pressure in the front and rear tires to the recommended inflation; refer to Tire Pressure, page 22. If the front of the mower is more than  $3/16''$  (4.762mm) lower than the rear of the mower, adjust the blade slope using the following instructions:

- Park the machine on a level surface, disengage the blade control (PTO), set the parking brake, stop the engine, and remove the ignition key.
- Pull the wire off the spark plug.
- Check and adjust side-to-side blade level if you have not checked the setting; refer to Side-to-Side Mower Leveling, page 42.

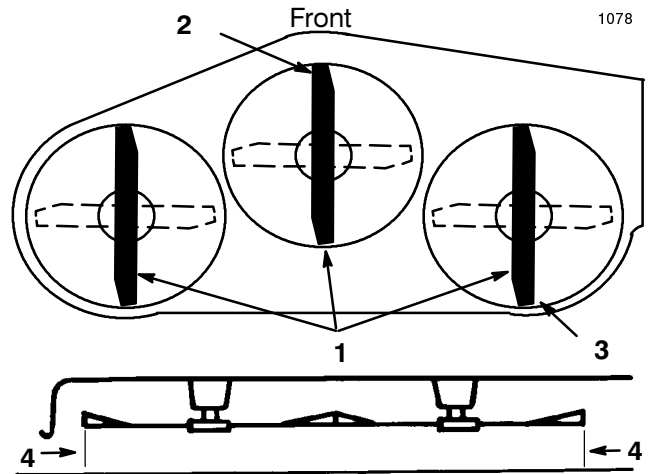
4. Measure the length of the rod extending out the front of the adjusting block on the sides of the chassis (Fig. 54). If the rod length is not  $5/8$ " (15.875 mm), remove the hair pin cotter and washer from the end of the rod (Fig. 54), and turn the rod until the  $5/8$ " (15.875 mm) dimension is obtained. Then install the end of the rod into the hole in the mower mount and secure in place with washer and hair pin cotter. Repeat this procedure on the opposite side of the mower.



**Figure 54**

- |                    |                               |
|--------------------|-------------------------------|
| 1. Adjusting block | 3. Hair pin cotter and washer |
| 2. Rod             | 4. Mower mount                |

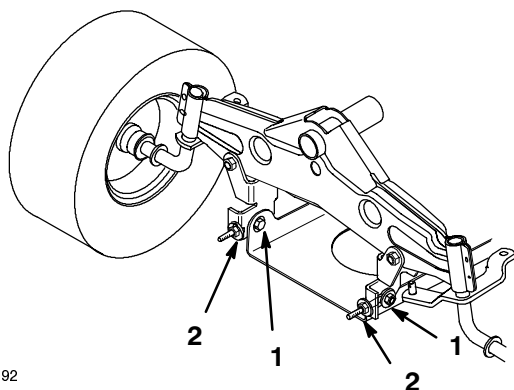
5. Move the height-of-cut lever (deck lift) into the "C" notch and carefully rotate the blades so they are facing front to rear (Fig. 55).
6. Measure between the tip of the front blade (Fig. 55) and the tip of the rear blade to the flat surface. If the front blade tip is not  $0-5/16$ " (0-8 mm) lower than the rear blade tip an adjustment front mower mounting plate at axle (Fig. 55).



**Figure 55**

- |                            |                           |
|----------------------------|---------------------------|
| 1. Blade front to rear     | 3. Measure rear blade tip |
| 2. Measure front blade tip | 4. Measure here           |

7. To adjust front-to-rear blade slope loosen front pivot plate mounting bolts slightly (Fig. 56).
8. Rotate lock nuts on eyebolts to change adjustment (Fig. 56). To raise the front of the mower tighten the eyebolt lock nuts. To lower the front of the mower loosen the eyebolt lock nuts.
9. After adjusting both eyebolt lock nuts evenly, check the front-to-rear slope again. Continue adjusting eyebolts until the front blade tip is  $0-5/16$ " (0-8 mm) lower than the rear blade tip (Fig. 56).
10. When front-to-rear slope is correct, tighten the pivot plate mounting bolts (Fig. 56).



1792

Figure 56

1. Pivot mounting bolt      2. Eyebolt lock nut

11. When front-to-rear blade slope is correct, recheck the side-to-side level of the mower; refer to Side-to-Side Mower Leveling, page 42.
12. Check gage wheel height; refer to Adjusting Gage Wheels, page 13.

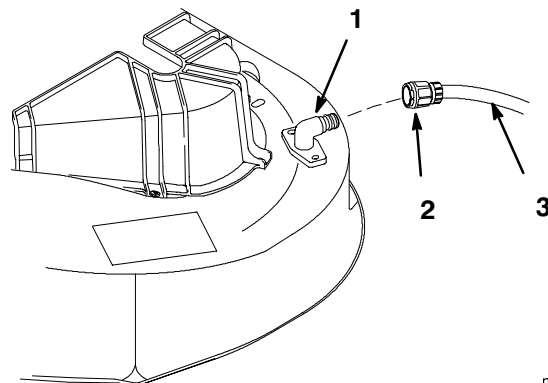
## Washing Underside of Mower

After each use wash the underside of the mower to prevent grass build-up for improved mulch action and clipping dispersal.

1. Park the machine on a hard level surface, disengage the power take off (PTO), stop the engine, and remove the ignition key.
2. Attach hose coupling to the end of the mower washout fitting, turn water on high (Fig. 57).
 

**Note:** Spread petroleum jelly on washout fitting o-ring to make coupling slide on easier and protect o-ring.
3. Lower the mower to the lowest height of cut.
4. Sit on the seat and start the engine. Engage power take off (PTO) and let mower run for one to three minutes.
5. Disengage the blade, power take off (PTO) and stop the engine. Wait for all moving parts to stop.

6. Turn the water off and remove hose coupling from the washout fitting.
7. Run mower again for one to three minutes to remove excess water.



m-3119

Figure 57

1. Washout fitting      3. Hose  
2. Coupling

## ! WARNING

### POTENTIAL HAZARD

- A broken or missing washout fitting could expose you and others to thrown objects or blade contact.

### WHAT CAN HAPPEN

- Contact with thrown debris or blade contact will cause injury or death.

### HOW TO AVOID THE HAZARD

- Replace broken or missing washout fitting immediately, before using mower again.
- Plug any hole(s) in mower with bolts and locknuts.
- Never put your hands or feet under the mower or through openings in the mower.

## Cleaning and Storage

1. Disengage the power take off (PTO), set the parking brake, stop the engine, and remove the ignition key.

2. Remove grass clippings, dirt, and grime from the external parts of the entire machine, especially the engine. Clean dirt and chaff from the outside of the engine's cylinder head fins and blower housing.

**IMPORTANT: You can wash the machine with mild detergent and water. DO NOT PRESSURE WASH THE MACHINE. Pressure washing may damage the electrical system or wash away necessary grease at friction points. Avoid excessive use of water, especially near the control panel, lights, engine, and the battery.**

3. Check the brake; refer to Brake, page 22.
4. Service the air cleaner; refer to Air Cleaner, page 30.
5. Grease the chassis; refer to Greasing and Lubrication, page 21.
6. Change the crankcase oil and filter; refer to Engine Oil, page 32.
7. Check the tire pressure; refer to Tire Pressure, page 22.
8. Prepare the machine for storage when non-use occurs over 30 days. Prepare machine for storage as follows.
  - A. Add a petroleum based stabilizer/conditioner to fuel in the tank. Follow mixing instructions from stabilizer manufacture. (1 oz. per gallon). **Do not use an alcohol based stabilizer (ethanol or methanol).**

**Note:** A fuel stabilizer/conditioner is most effective when mixed with fresh gasoline and used at all times.

  - B. Run engine to distribute conditioned fuel through the fuel system (5 minutes).
  - C. Stop engine, allow to cool and drain the fuel tank; refer to Fuel Tank, page 29.
  - D. Restart engine and run it until it stops.

- E. Choke or prime the engine. Start and run engine until it will not start. Operate primer, if equipped on machine, several times to ensure no fuel remains in primer system.
- F. Dispose of fuel properly. Recycle as per local codes.

**IMPORTANT: Do not store stabilizer/conditioned gasoline over 90 days.**

9. Remove the spark plug(s) and check its condition; refer to Spark Plug, page 28. With the spark plug(s) removed from the engine, pour two tablespoons of engine oil into the spark plug hole. Now use the electric starter to crank the engine and distribute the oil inside the cylinder. Install the spark plug(s); refer to Spark Plug, page 28. Do not install the wire on the spark plug(s).
10. Remove the battery from the chassis, check the electrolyte level, and charge it fully; refer to Battery, page 25. Do not connect the battery cables to the battery posts during storage.

**IMPORTANT: The battery must be fully charged to prevent it from freezing and being damaged at temperatures below 32°F (0°C). A fully charged battery maintains its charge for about 50 days at temperatures lower than 40°F (4°C). If the temperatures will be above 40°F (4°C), check the water level in the battery and charge it every 30 days.**

11. Check and tighten all bolts, nuts, and screws. Repair or replace any part that is damaged.
12. Paint all scratched or bare metal surfaces. Paint is available from your Authorized Service Dealer.
13. Store the machine in a clean, dry garage or storage area. Remove the ignition and KeyChoice keys from the switches and keep them in a memorable place. Cover the machine to protect it and keep it clean.

# Troubleshooting

PROBLEM	POSSIBLE CAUSES	CORRECTIVE ACTION
Starter does not engage.	<ol style="list-style-type: none"> <li>1. Blade control (PTO) is ENGAGED.</li> <li>2. Parking brake is not on.</li> <li>3. Battery is dead.</li> <li>4. Electrical connections are corroded or loose.</li> <li>5. Fuse is blown.</li> <li>6. Relay or switch is defective.</li> </ol>	<ol style="list-style-type: none"> <li>1. Move blade control (PTO) to DISENGAGED.</li> <li>2. Set parking brake.</li> <li>3. Charge the battery.</li> <li>4. Check electrical connections for good contact.</li> <li>5. Replace fuse.</li> <li>6. Contact Authorized Service Dealer.</li> </ol>
Engine will not start, starts hard, or fails to keep running.	<ol style="list-style-type: none"> <li>1. Operator is not seated.</li> <li>2. Fuel tank is empty.</li> <li>3. Air cleaner is dirty.</li> <li>4. Spark plug wire is loose or disconnected.</li> <li>5. Spark plug is pitted, fouled, or gap is incorrect.</li> <li>6. Choke is not closing.</li> <li>7. Dirt in fuel filter.</li> <li>8. Idle speed is too low or mixture is incorrect.</li> <li>9. Dirt, water, or stale fuel is in fuel system.</li> </ol>	<ol style="list-style-type: none"> <li>1. Sit on the seat.</li> <li>2. Fill fuel tank with gasoline.</li> <li>3. Clean or replace air cleaner element.</li> <li>4. Install wire on spark plug.</li> <li>5. Install new, correctly gapped spark plug.</li> <li>6. Check for choke operation.</li> <li>7. Replace fuel filter.</li> <li>8. Contact Authorized Service Dealer.</li> <li>9. Contact Authorized Service Dealer.</li> </ol>
Engine loses power.	<ol style="list-style-type: none"> <li>1. Engine load is excessive.</li> <li>2. Air cleaner is dirty.</li> <li>3. Oil level in crankcase is low.</li> <li>4. Cooling fins and air passages under engine blower housing are plugged.</li> <li>5. Spark plug is pitted, fouled, or gap is incorrect.</li> <li>6. Vent hole in fuel cap is plugged.</li> <li>7. Dirt in fuel filter.</li> <li>8. Dirt, water, or stale fuel is in fuel system.</li> </ol>	<ol style="list-style-type: none"> <li>1. Reduce ground speed.</li> <li>2. Clean air cleaner element.</li> <li>3. Add oil to crankcase.</li> <li>4. Remove obstruction from cooling fins and air passages.</li> <li>5. Install new, correctly gapped spark plug.</li> <li>6. Clean or replace the fuel cap.</li> <li>7. Replace fuel filter.</li> <li>8. Contact Authorized Service Dealer.</li> </ol>

<b>PROBLEM</b>	<b>POSSIBLE CAUSES</b>	<b>CORRECTIVE ACTION</b>
Engine over heats.	<ol style="list-style-type: none"> <li>1. Engine load is excessive.</li> <li>2. Oil level in crankcase is low.</li> <li>3. Cooling fins and air passages under engine blower housing are plugged.</li> </ol>	<ol style="list-style-type: none"> <li>1. Reduce ground speed.</li> <li>2. Add oil to crankcase.</li> <li>3. Remove obstruction from cooling fins and air passages.</li> </ol>
Abnormal vibration.	<ol style="list-style-type: none"> <li>1. Cutting blade(s) is bent or unbalanced.</li> <li>2. Blade mounting bolt is loose.</li> <li>3. Engine mounting bolts are loose.</li> <li>4. Loose engine pulley, idler pulley, or blade pulley.</li> <li>5. Engine pulley is damaged.</li> </ol>	<ol style="list-style-type: none"> <li>1. Install new cutting blade(s).</li> <li>2. Tighten blade mounting bolt.</li> <li>3. Tighten engine mounting bolts.</li> <li>4. Tighten the appropriate pulley.</li> <li>5. Contact Authorized Service Dealer.</li> </ol>
Blade(s) does not rotate.	<ol style="list-style-type: none"> <li>1. Blade drive belt is worn, loose or broken.</li> <li>2. Blade drive belt is off pulley.</li> </ol>	<ol style="list-style-type: none"> <li>1. Install new blade drive belt.</li> <li>2. Install blade drive belt and check idler pulley and belt guides for correct position.</li> </ol>
Machine does not drive.	<ol style="list-style-type: none"> <li>1. Drive control is in "PUSH" position.</li> <li>2. Traction belt is worn, loose or broken.</li> <li>3. Traction belt is off pulley.</li> </ol>	<ol style="list-style-type: none"> <li>1. Move drive control to "OPERATE" position.</li> <li>2. Contact Authorized Service Dealer.</li> <li>3. Contact Authorized Service Dealer.</li> </ol>
Uneven cutting height.	<ol style="list-style-type: none"> <li>1. Gage wheels improperly adjusted.</li> <li>2. Tractor tire pressure is incorrect.</li> <li>3. Mower is not level.</li> <li>4. Underside of mower is dirty.</li> </ol>	<ol style="list-style-type: none"> <li>1. Adjust gage wheels.</li> <li>2. Set tractor tire pressure.</li> <li>3. Level mower from side-to-side and front-to-rear.</li> <li>4. Clean the underside of the mower.</li> </ol>





Consumer  
Riding  
Products

## The Toro Total Coverage Guarantee

A Two-Year Full Warranty  
(Limited Warranty for Commercial Use)

### Conditions and Products Covered

The Toro Company and its affiliate, Toro Warranty Company, pursuant to an agreement between them, jointly promise to repair any Toro Product used for normal residential purposes\* if defective in materials or workmanship. The following time periods apply from the date of purchase:

<u>Products</u>	<u>Warranty Period</u>
• All Products	2 year full warranty
• 300 and 5xi Series Tractors:	
Chassis	5 year full warranty
Front Axle	5 year full warranty
Drive Shaft (5xi Series Only)	5 year full warranty
• All Batteries	1 year full warranty

This warranty covers both the cost of parts and labor, and transportation within a fifteen mile radius of the servicing dealer.

This warranty applies to all consumer riding products and their attachments.

\* Normal residential purposes means use of the product on the same lot as your home. Use at more than one location is considered commercial use, and the commercial use warranty would apply.

### Limited Warranty for Commercial Use

Toro Consumer Products and attachments used for commercial, institutional, or rental use are warranted against defects in materials or workmanship for the following time periods from the date of purchase:

<u>Products</u>	<u>Warranty Period</u>
• All Products	90 day limited warranty
• 300 and 5xi Series Tractors:	
Chassis	1 year limited warranty
Liquid Cooled Gas Engines	1 year limited warranty
Air Cooled Gas and Diesel Engines	2 year limited warranty

### Instructions for Obtaining Warranty Service

Should you feel your Toro Product contains a defect in materials or workmanship, contact the retailer who sold you the product or any Authorized Service Dealer or Master Service Dealer. The Yellow Pages of your telephone directory is a good reference source. The dealer will either arrange service at his/her dealership or recommend another Authorized Service Dealer who may be more convenient. You may need proof of purchase (copy of registration card, sales receipt, etc.) for warranty validation.

If for any reason you are dissatisfied with the Service Dealer's analysis of the defect in materials or workmanship or if you need a referral to a Toro Service Dealer, please feel free to contact us at:

Customer Service Department  
Toro Warranty Company  
8111 Lyndale Avenue South  
Bloomington, MN 55420-1196  
612-888-8801  
800-348-2424

### Owner Responsibilities

You must maintain your Toro Product by following the maintenance procedures described in the operator's manual. Such routine maintenance, whether performed by a dealer or by you, is at your expense.

### Items and Conditions Not Covered

There is no other express warranty except for special emission system coverage on some products. This express warranty does not cover:

- Cost of regular maintenance service or parts, such as filters, fuel, lubricants, tune-up parts, blade sharpening, brake and clutch adjustments.
- Any product or part which has been altered or misused or required replacement or repair due to normal wear, accidents, or lack of proper maintenance.
- Repairs necessary due to improper fuel, contaminants in the fuel system, or failure to properly prepare the fuel system prior to any period of non-use over three months.
- Pickup and delivery charges for distances beyond a fifteen mile radius from an Authorized Toro Service Dealer.

All repairs covered by this warranty must be performed by an Authorized Toro Service Dealer using Toro approved replacement parts.

### General Conditions

Repair by an Authorized Toro Service Dealer is your sole remedy under this warranty.

Neither The Toro Company nor Toro Warranty Company is liable for indirect, incidental or consequential damages in connection with the use of the Toro Products covered by this warranty, including any cost or expense of providing substitute equipment or service during reasonable periods of malfunction or non-use pending completion of repairs under this warranty. Some states do not allow exclusions of incidental or consequential damages, or limitations on how long an implied warranty lasts, so the above exclusions and limitations may not apply to you.

This warranty gives you specific legal rights, and you may also have other rights which vary from state to state.

### Countries Other than the United States or Canada

Customers who have purchased Toro products exported from the United States or Canada should contact their Toro Distributor (Dealer) to obtain guarantee policies for your country, province, or state. If for any reason you are dissatisfied with your Distributor's service or have difficulty obtaining guarantee information, contact the Toro importer. If all other remedies fail, you may contact us at Toro Warranty Company.