



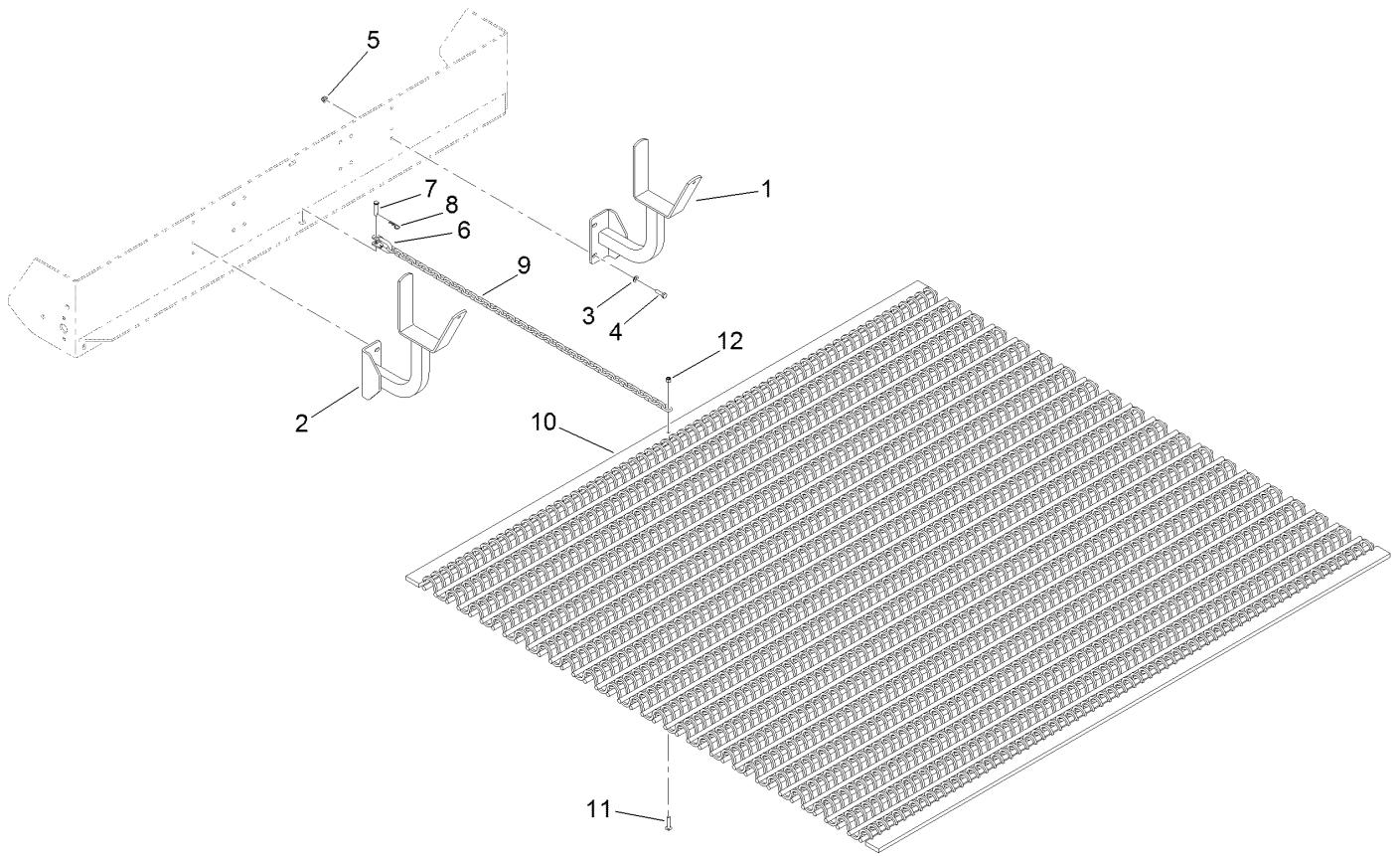
**Count on it.**

**Parts Catalog**

**Drag Mat Kit  
Sand Pro® Traction Unit**

Model No. 140-0274





## Drag Mat Kit Assembly No. 140-0274

<i>Ref.</i>	<i>Part Number</i>	<i>Qty.</i>	<i>Description</i>
1	99-1627-01	1	RH Mat Holder ASM
2	106-7073-01	1	LH Mat Holder ASM
3	3256-23	4	Washer-Plain
4	322-16	4	Screw-HH
5	104-8300	4	Nut-HF, NI
6	5-2942	1	Shackle
7	283-10	1	Pin-Clevis
8	3290-250	1	Pin-Cotter
9	2820-2	1	Chain
10	20-4290	1	Mat-Drag
11	32122-35	1	Screw
12	3296-29	1	Nut-Lock, NI