



Wheel Horse[®] 314-H Garden Tractor

Model No. 73403-6900001 and Up

Parts Catalog

Ordering Replacement Parts

To order replacement parts, please supply: the part number, the quantity, and the description of each part desired.

Understanding Reference Numbers

Each identified part in an illustration has a reference number. The reference number for a part also appears in the parts list, along with other information about the part.

This catalog uses two special reference number formats, one to indicate parts in a service assembly and another to indicate the quantity of a given part in an illustration.

Service Assembly Reference Numbers

Parts in service assemblies have reference numbers in the form **a:b**. The **a** represents the reference number of the entire service assembly and the **b** represents a sequential number unique to each part within the service assembly.

For example, a wheel assembly might be identified by reference number **6**, the tire by **6:1**, the valve by **6:2**, and the wheel by **6:3**. When you order the assembly identified by reference number **6**, you receive all parts identified by reference numbers **6:1**, **6:2**, and **6:3**. However, you may also order any part individually.

Reference numbers of this type appear in illustrations and in part lists.

Reference Numbers Indicating Quantity

In an illustration, if a reference number indicates more than one part, the reference number has the form **nX y**. The **n** represents the quantity of the part, the **X** is the multiplication symbol, and the **y** represents the reference number.

For example, in an illustration, the reference number **2X 37** means that two of the parts identified by reference number **37** are indicated.

Contents

Description	Page	Description	Page
Hood and Grille	3	Front Plate, Relays	21
Frame Steering	4	Hydrostatic Transmission	22-23
Hoodstand, Console	5	Air Cleaner	24
Footrests	6	Carburetor	25
Gauges, Throttle	7	Governor Linkage	26
Hydraulic Lift System	8	Fuel Pump	27
Hydraulic Lift System	9	Baffles And Shrouds	28
Hydro Controls, Brake	10	Breather And Vent	29
Hydro Drive, & Parking Brake	11	Flywheel	30
Fender, Seat	12	Ignition System	31
PTO Clutch Pulley	13	Crankcase And Cylinder Head	32
PTO Clutch Linkage	14	Camshaft, Crankshaft And Valves	33
Engine	15	Piston And Rings	34
Transmission	16	Oil Pan And Dipstick	35
Wheels And Tires	17	Starter	36
Hitches	18	Electrical	37-38
Battery	19	Maintenance	39
Fuel Tank	20		

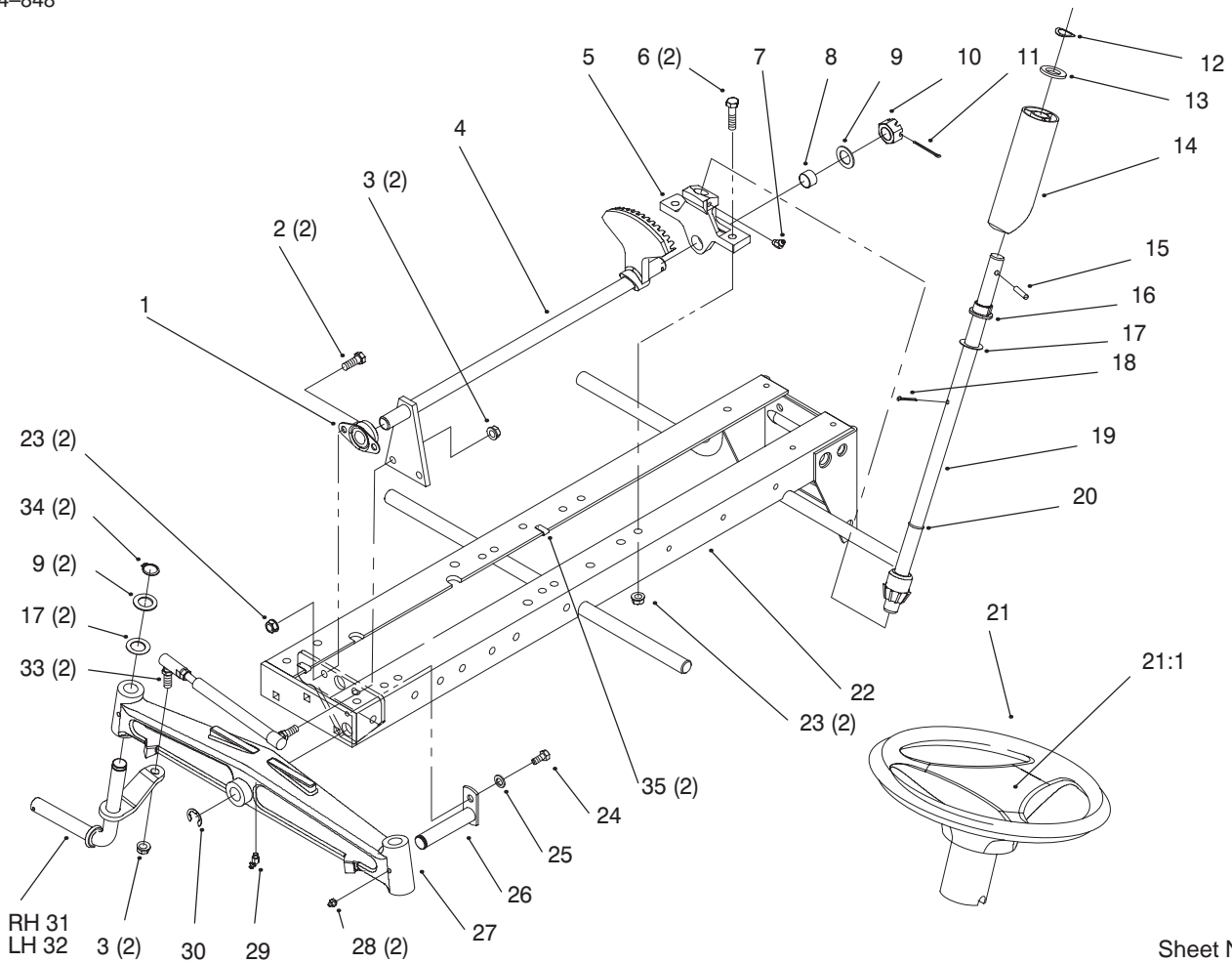
Accessories

Description	Model / Part No.	Description	Model / Part No.
-------------	------------------	-------------	------------------

Part Description Abbreviations

Part descriptions in this catalog may include the following abbreviations.

Abbreviation	Meaning	Abbreviation	Meaning
AR	as required	INC	incorporated
ASM	assembly	LH	left hand
CARR	carriage	NI	nylon insert
DEG	degrees	PPH	Phillips pan head
FH	flat head	PTH	Phillips truss head
GA	gauge	PTO	power take off
HF	hex flange	RH	right hand
HH	hex head	SFH	slotted fillister head
HHF	hex head flange	SHH	slotted hex head
HLH	hex lag head	SQH	square head
HJ	hex jam	SHWH	slotted hex washer head
HOC	height-of-cut	SPH	slotted pan head
HS	hex socket	SRH	slotted round head
HSBH	hex socket button head	STD	standard
HSFH	hex socket flat head	TAP	self tapping
HSH	hex socket head	TTH	Torx truss head
HWH	hex washer head	WH	wing head
HWHTF	hex washer head thread forming		

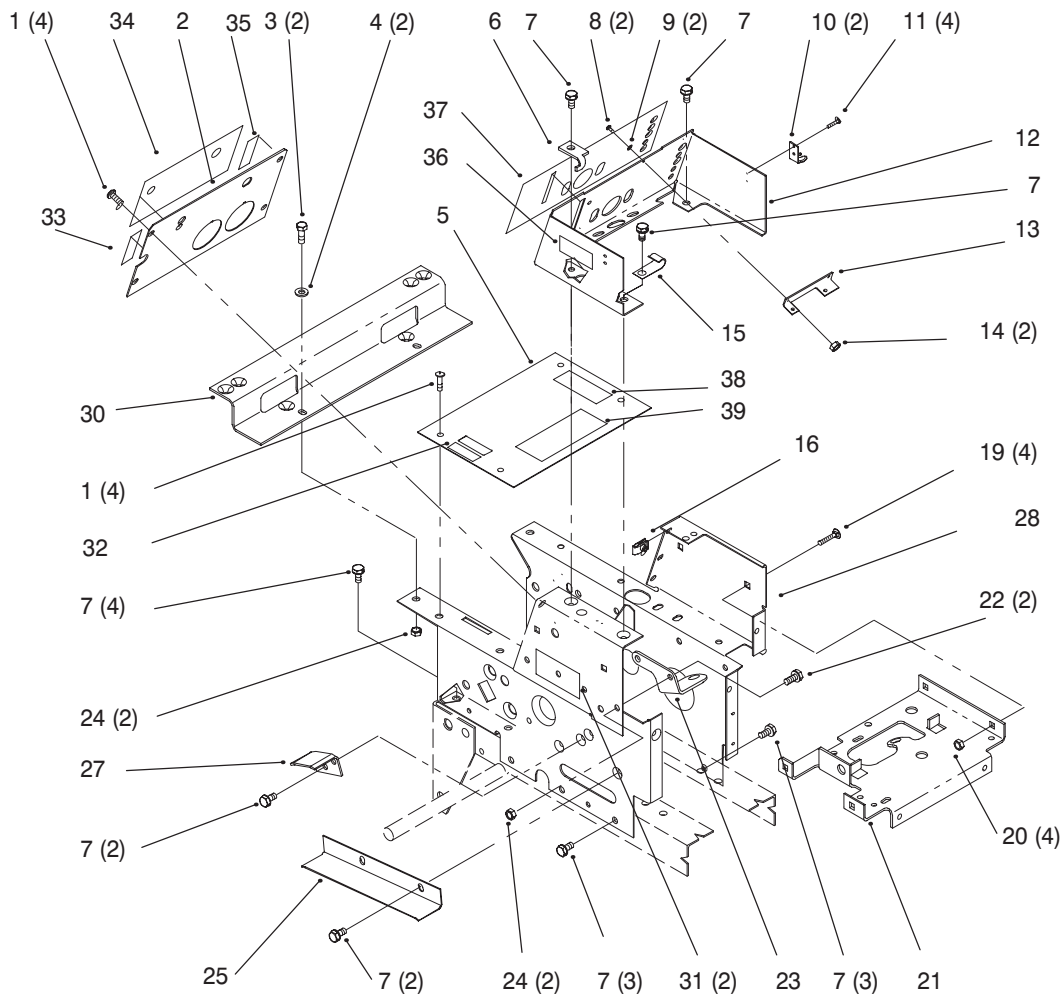


Sheet No.: 3

Frame Steering

Ref. No.	Part No.	Qty.	Description
1	6472	1	Bearing-Flanged
2	323-6	2	Screw-HH
3	3296-6	4	Nut-Lock
4	78-2880	1	Lower Steering
5	88-2710	1	Support-Lower Steering
6	323-8	2	Screw-HH
7	1481	2	Fitting-Grease
8	6397	1	Bearing-Bronze
9	1278	3	Washer-Shim
10	32136-5	1	Nut-Slotted
11	3272-19	1	Pin-Cotter
12	7896	1	Washer-Bowed
13	109262	2	Washer
14	113443	1	Tube-Steering Shaft
15	32121-111	1	Pin-Spiral
16	109189	1	Bearing-Flange
17	3272-21	1	Pin-Cotter
17	5210	14	Washer-Shim
19	92-4987	1	Steering Shaft
20	237-69	1	O-Ring
21	94-3519	1	Steering Wheel 15"
21:1	88-3870	1	Cover-Steering Wheel
22	94-3715-01	1	Frame
23	3296-39	4	Nut-Lock
24	322-1	1	Screw-HH

Ref. No.	Part No.	Qty.	Description
25	3253-4	1	Washer-Lock
26	6216	1	Pin
27	5638	1	Axle-Front
28	302-5	2	Fitting-Grease
30	5618	1	Ring-Retaining
31	113382	1	Spindle
32	113381	1	Spindle
33	78-2900	2	ASM-Tie Rod
34	32120-93	2	Snap Ring
35	8519	2	Clip-Wire

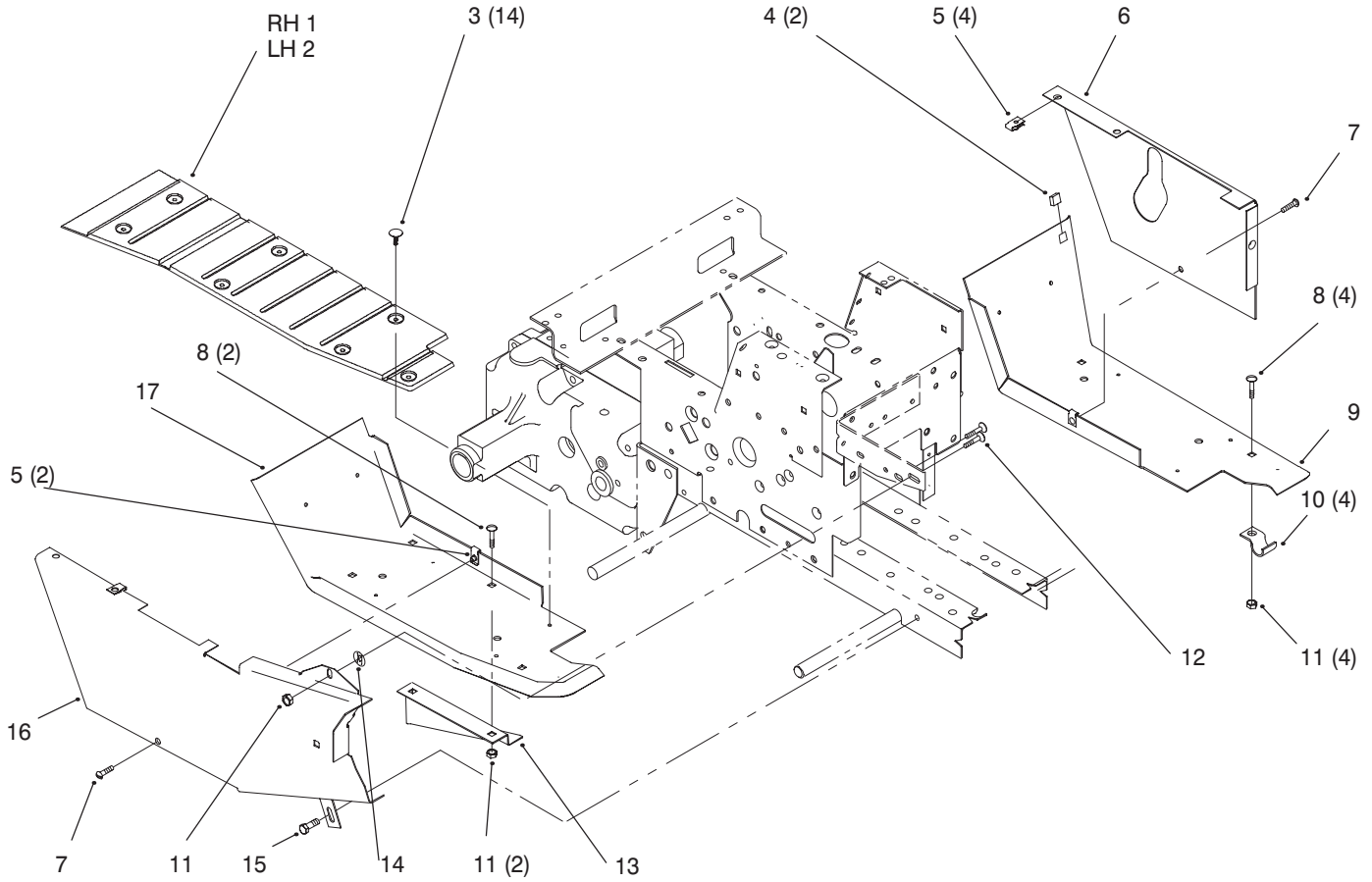


Sheet No.: 7

Hoodstand, Console

Ref. No.	Part No.	Qty.	Description
1	9108372	8	Screw-Phcr
2	78-5620	1	Plate-Hoodstand Rear
4	3256-23	2	Washer-Flat
5	78-8110	1	Plate-Shift
6	112415	1	Stop-PTO
7	9266944	17	Screw-HH
8	9107622	2	Screw Phcr
9	9201504	2	Washer-Lock
10	117343	2	Latch-Hood
11	117431	4	Poprivet
12	78-5610	1	Console
13	112506	1	Bracket
14	9159604	2	Nut-Hex
15	111392	1	Retainer-Offset™
16	107069	4	Nut-Speed
17	111332	A/R	Switch-Interlock
18	9157324	A/R	Nut-Lock
19	117371	4	Screw-CARR
20	9151126	4	Nut-HH
21	78-3000	1	-Battery Support Bkt
22	322-3	2	Screw-HH
23	78-1540	1	Bracket-Control
24	3296-29	4	Nut-Lock
25	106209	1	Angle-Belt Guard
27	108537	1	Bracket-Belt

Ref. No.	Part No.	Qty.	Description
28	92-1525	1	-Hoodstand
29	9109482	A/R	Screw-Phcr
30	107951	1	Bracket-Fender Front
31	94-6339	2	Decal-Model 314-Hydro
32	78-9130	1	Decal-Cold Start
33	111960	1	Decal-PTO Clutch
34	79-2470	1	Decal-Back Plate
35	78-7300	1	Decal-Choke
36	111926	1	Decal-Elec System
37	78-7190	1	Decal-Lower Dash
38	116445	1	Decal-Parking Brake
39	92-8946	1	Decal-Danger

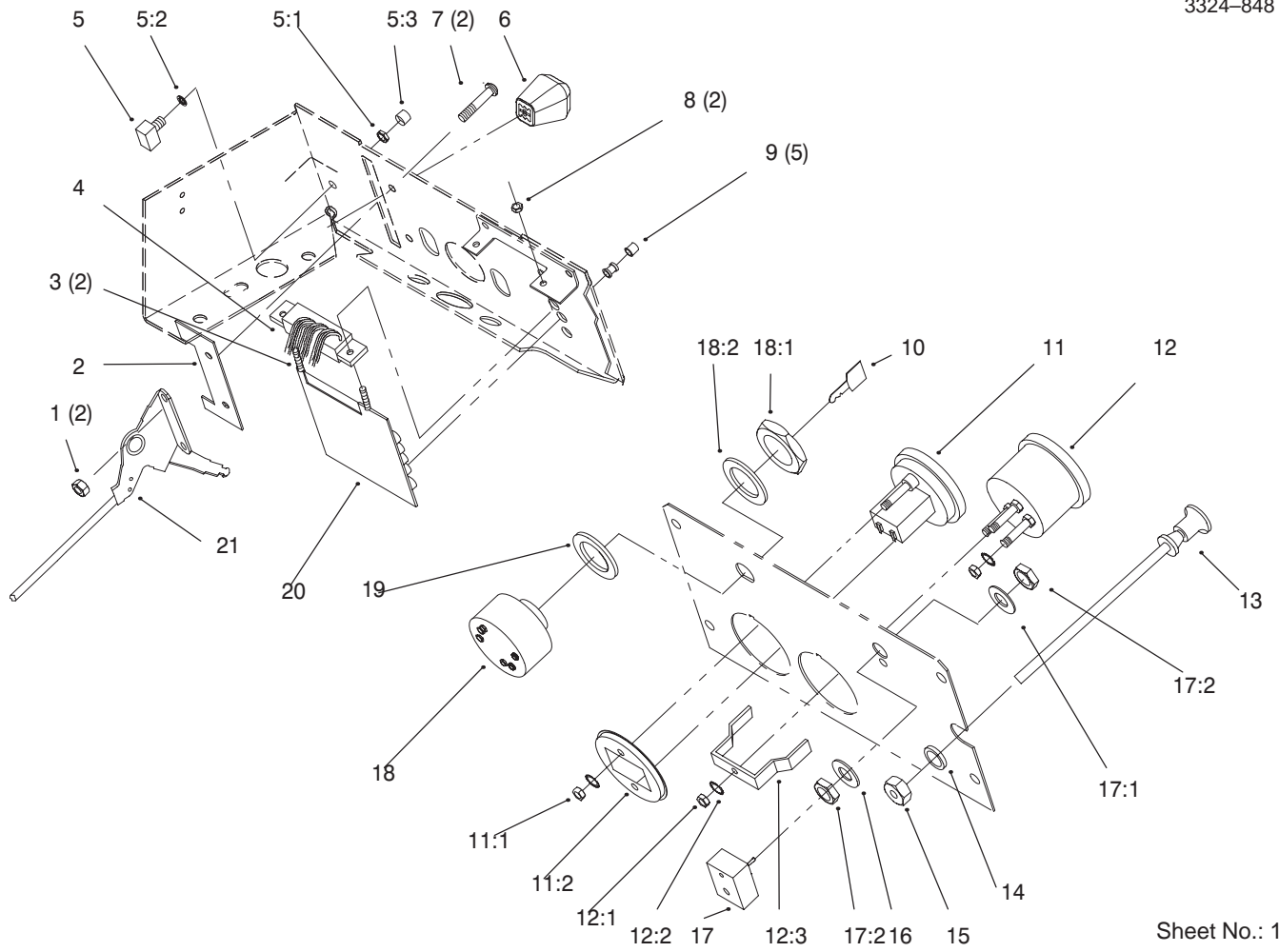


Sheet No. : 9

Footrests

Ref. No.	Part No.	Qty.	Description
1	94-3711	1	Mat-Foot RH
2	94-3712	1	Mat-Foot LH
3	3290-479	17	Fastener-Panel
4	518211	A/R	Bumper-Rubber
5	107069	6	Nut-Speed
6	79-5130	1	Cover-Side LH
7	9108372	2	Screw-Phcr
8	116000	4	Screw-CARR
9	94-3522	1	Footrest LH
10	7456	4	Clamp
11	3296-29	5	Nut-Lock
12	3230-1	1	Screw-CARR
14	108457	1	Nut-Push On
15	9266944	1	Screw-HH
16	94-3724-01	1	Belt Guard
17	94-3520	1	Footrest RH

Ref. No.	Part No.	Qty.	Description

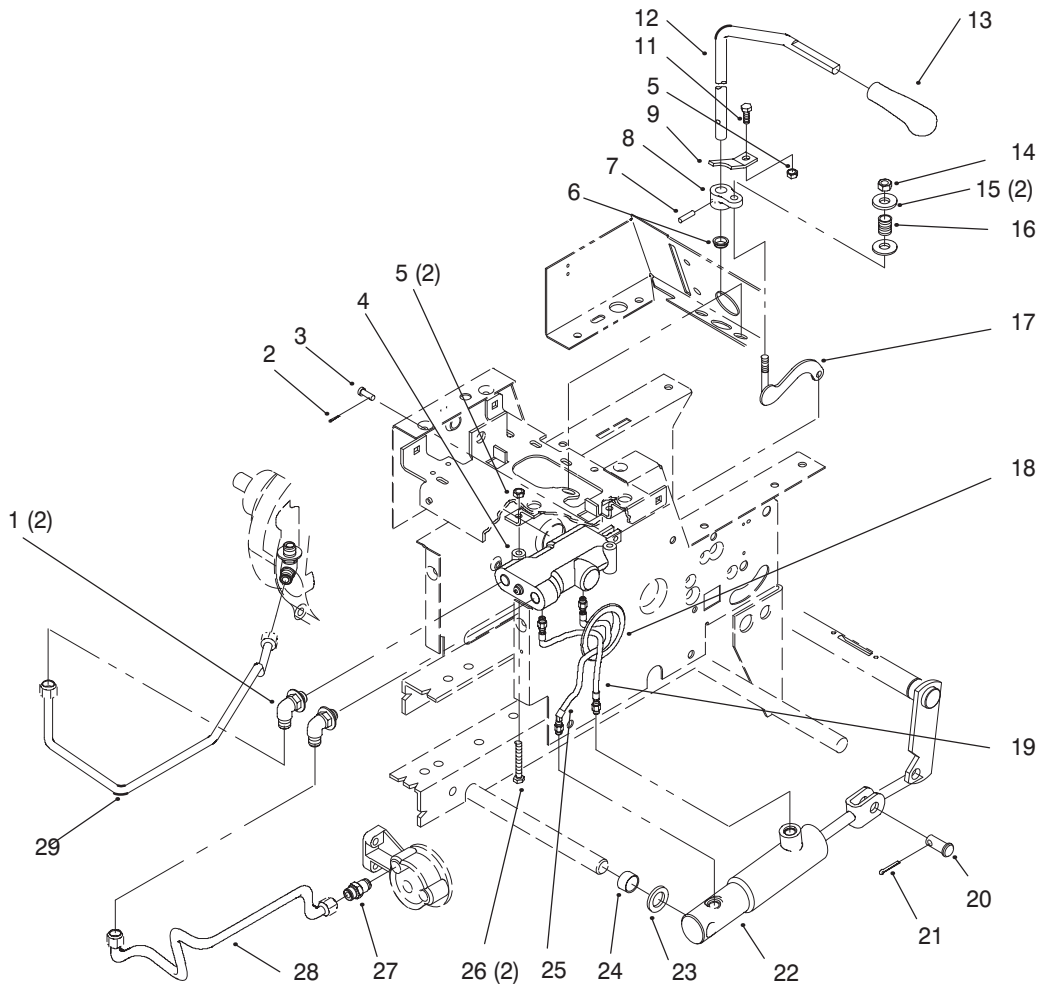


Sheet No.: 11

Gauges, Throttle

Ref. No.	Part No.	Qty.	Description
1	9157404	2	Nut
2	120590	1	Stop-Throttle
3	9107562	2	Screw-Phcr
4	116723	1	Harness-P C Board
5	116796	1	Switch-Button
6	66-0120	1	Knob
7	9107922	2	Screw-Phcr
8	9157324	2	Nut-Lock
9	111343	5	Lens & Bushing ASM
10	62-7770	2	Key-Ignition
11	79-0060	1	Voltmeter
12	94-3723	1	Hourmeter
13	112214	1	Control-Choke
14	3256-37	1	Washer-Flat
15	109530	1	Nut-Hex Palnut
16	9202594	1	Washer
17	102138	1	ASM-Switch
18	116338	1	ASM-Switch
19	9202624	1	Washer-Flat
20	114825	1	Pc Board & Schematic
21	115854	1	Control-Throttle

Ref. No.	Part No.	Qty.	Description

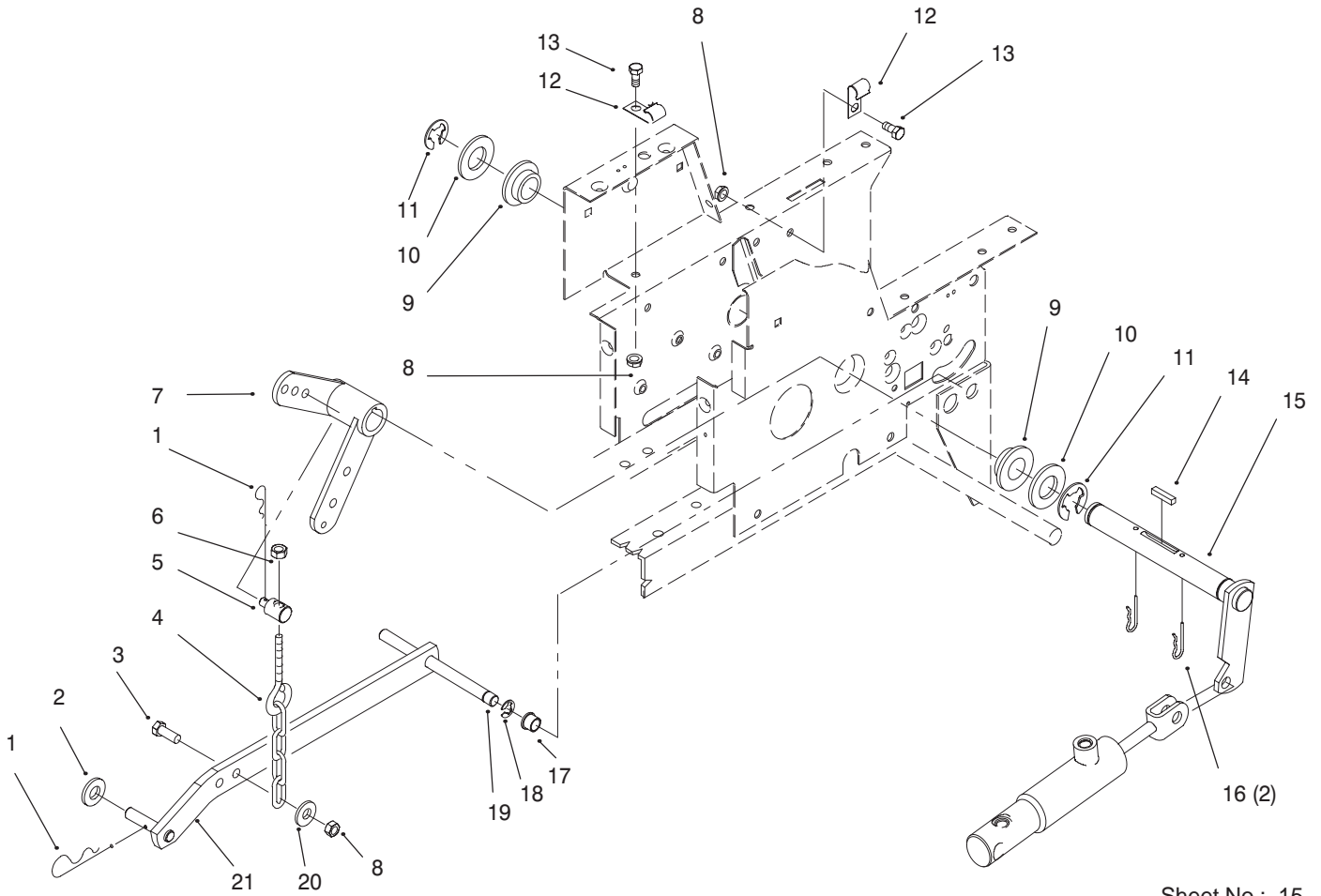


Sheet No. : 14

Hydraulic Lift System

Ref. No.	Part No.	Qty.	Description
1	108365	2	Fitting-Hyd Tube
2	3272-1	1	Pin-Cotter
3	9321204	1	Pin-Clevis
4	114000	1	Valve ASM - Hyd
5	3296-42	3	Nut-Lock
6	5983	1	Bushing
7	933198	1	Pin-Spirol
8	116302	1	Arm-Control
9	116305	1	Bracket-Control
11	321-4	1	Screw-HH
12	78-5670	1	Rod-Lift Control
13	94-3700	1	Knob-Lift
14	3296-29	2	Nut-Lock
15	3256-23	3	Washer-Flat
16	104841	1	Spring
17	78-5640	1	ASM-Valve Actuator Bar
18	106267	1	Grommet
19	110125	1	Hose ASM-Hydraulic
20	9329974	1	Pin-Clevis
21	3272-11	1	Pin-Cotter
22	119340	1	Cylinder ASM
23	9202324	1	Washer
24	101757	1	Spacer
25	110124	1	Hose ASM-Hydraulic

Ref. No.	Part No.	Qty.	Description
26	321-11	2	Screw-HH
27	102628	1	Fitting-Hyd Tube
28	86-9290	1	Tube ASM-Hyd Return
29	86-9280	1	Tube ASM-Hyd Pressure

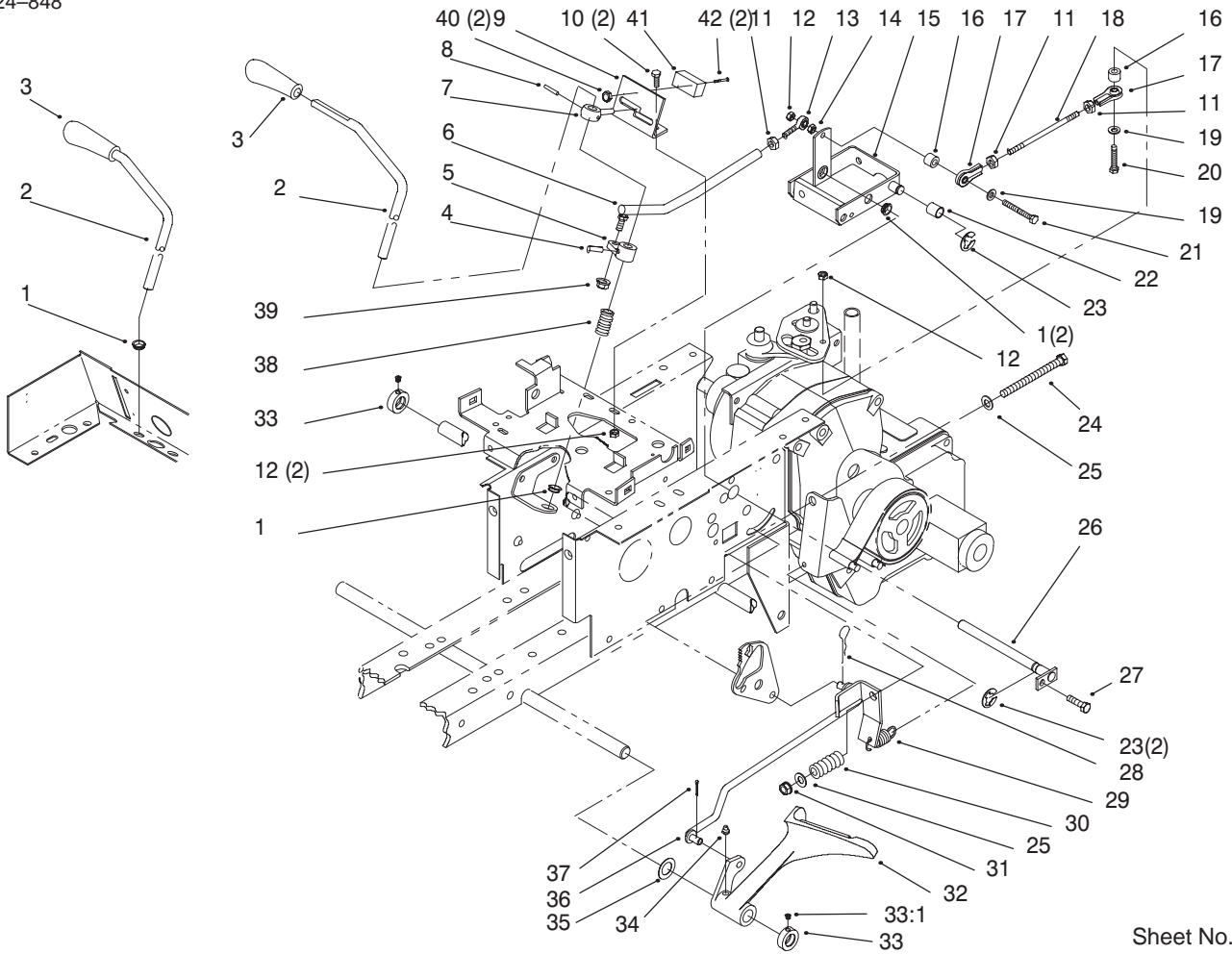


Sheet No.: 15

Hydraulic Lift System

Ref. No.	Part No.	Qty.	Description
1	9335054	2	Hairpin
2	3256-26	1	Washer-Flat
3	322-5	1	Screw-HH
4	106522	1	Chain-Lift
5	6739	1	Trunnion
6	3296-39	1	Nut-Lock
7	78-1550	1	Lift Lever
8	3296-29	3	Nut-Lock
9	106269	2	Bearing-Flange
10	3256-62	2	Washer-Flat
11	32151-91	2	Ring-Retaining
12	8830	2	Retainer-"j"
13	322-2	2	Screw-HH
14	1121	1	Key
15	121100	1	ASM-Lift Arm
16	9335074	2	Cotter-Hairpin
17	6229	1	Bearing
18	32120-47	1	Ring-Retaining
20	3256-23	1	Washer-Flat
21	113445	1	ASM-Lift Bar

Ref. No.	Part No.	Qty.	Description

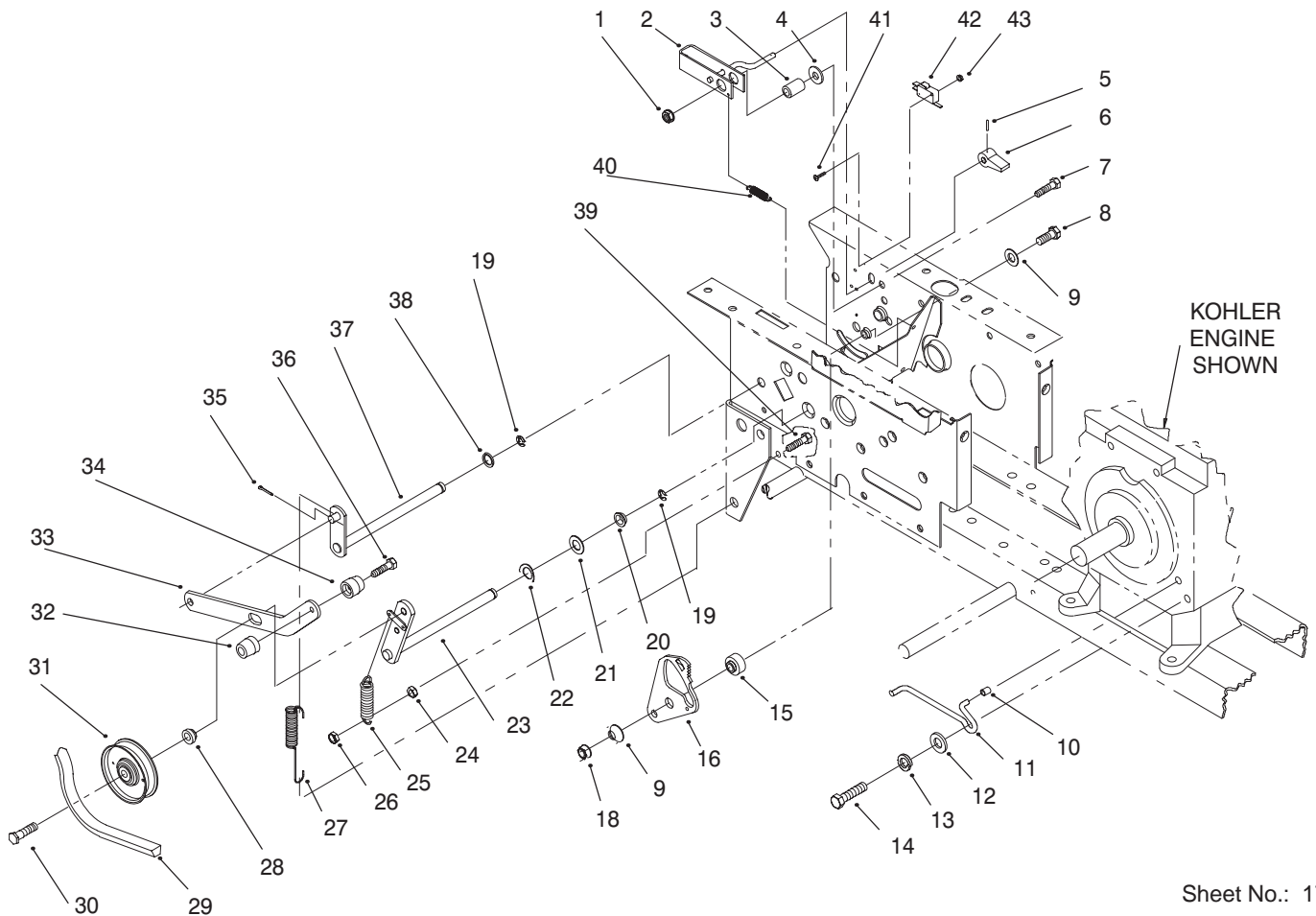


Sheet No.: 16

Hydro Controls, Brake

Ref. No.	Part No.	Qty.	Description
1	5983	A/R	Bushing
1	5983	3	Bushing
2	78-5660	1	Rod-Motion Control
3	94-3728	1	Knob
4	933198	1	Pin-Spirol
5	116321	1	Arm-Control
6	116324	1	Rod & Balljoint ASM
7	118660	1	Guide-Control
8	32121-94	1	Pin-Spirol
9	78-5631	1	Bracket-Control
10	321-4	2	Screw-HH
11	3220-1	3	Nut-Hex
12	3296-42	4	Nut-Lock
13	116407	1	Rod End
14	3217-5	1	Nut-Hex
15	113454	1	ASM-Cam Control
16	100304	2	Bearing-Cam Roller
17	110189	2	Rod End ASM
18	108904	1	Rod-Thd
19	3256-22	2	Washer-Flat
20	321-9	1	Screw-HH
21	9114584	1	Screw-HH
22	100656	1	Bearing-Cam Return
23	32120-47	5	Ring-Retaining
24	323-23	1	Screw-HH
25	3256-24	2	Washer-Flat

Ref. No.	Part No.	Qty.	Description
26	108496	1	ASM-Rod Cam Pivot
27	9266944	1	Screw-HH
28	9335044	1	Hairpin
29	103125	1	Spring-Extension
30	108680	1	Spring-Compression
31	3296-39	1	Nut-Lock
32	94-3707	1	Pedal-Brake
33	111383	2	Collar W/Set Screw
33:1	3245-32	2	Screw-Set
34	302-5	1	Fitting-Grease
35	1278	1	Washer-Shim
36	109372	A/R	ASM-Brake Rod
36	94-6654	1	Rod
37	3272-10	1	Pin-Cotter
38	101853	1	Spring-Compression
39	3296-4	1	Nut-Lock Elastic
40	9157324	2	Nut-Lock
41	115230	1	Switch-Clutch
42	9109484	2	Screw-Phcr

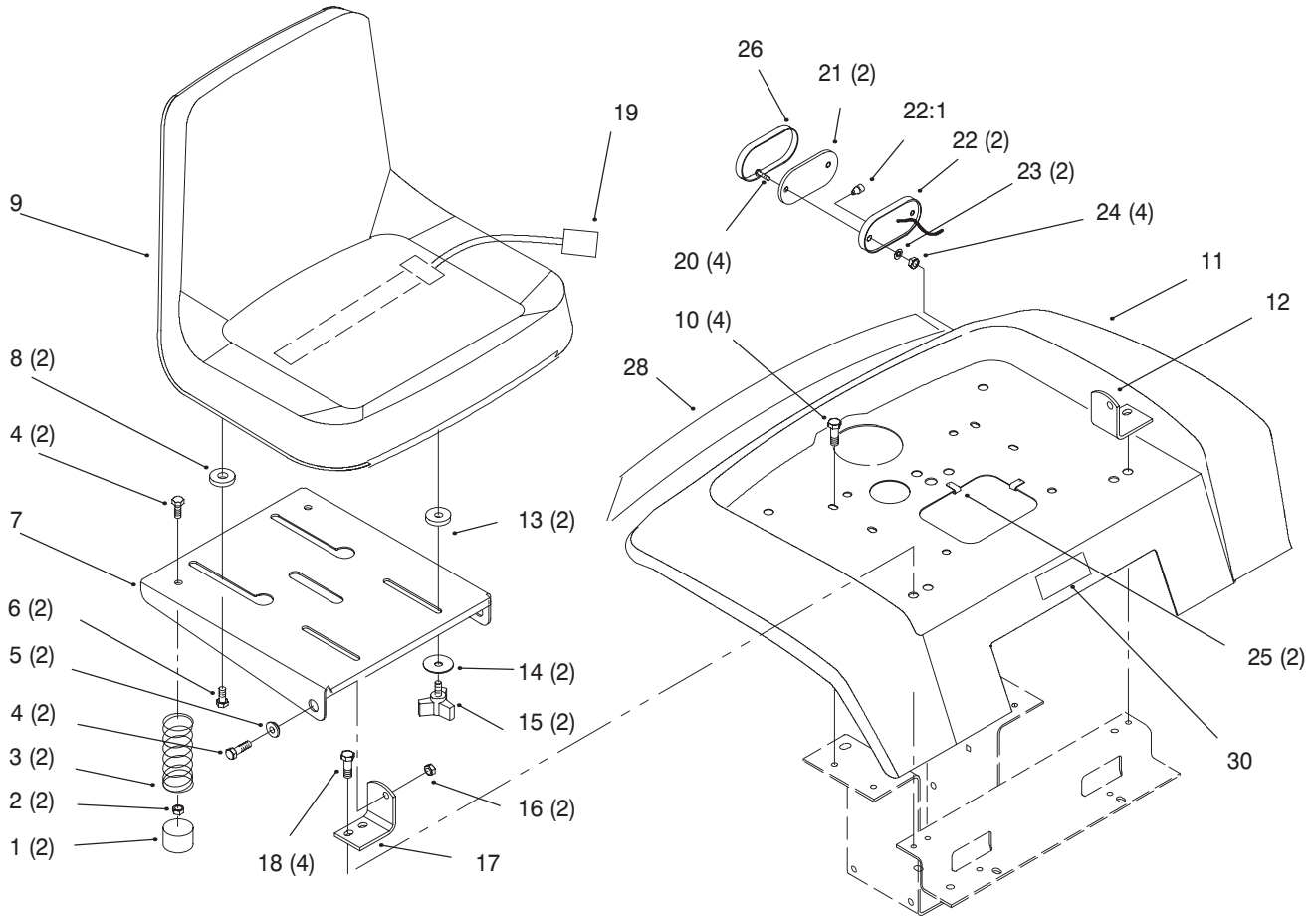


Sheet No.: 17

Hydro Drive, & Parking Brake

Ref. No.	Part No.	Qty.	Description
1	32128-19	1	Nut-Lock
2	78-8500-03	1	ASM-Parking Brake Pawl
3	102025	1	Spacer
4	9202414	1	Washer-Flat
5	933135	1	Pin-Spirol
6	118860	1	Knob-Parking Brake
7	323-9	1	Screw-HH
8	323-8	1	Screw-HH
9	3256-4	2	Washer-Flat
10	112841	1	Cap
11	111242	1	Wire-Guide
12	3256-25	1	Washer-Flat
13	3253-6	1	Washer-Lock
14	324-5	1	Screw-HH
15	108717	1	Spacer-Cam Plate
16	108716-03	1	Plate-Neutral Cam
18	3296-39	1	Nut-Lock
19	32120-47	2	Ring-Retaining
20	7879	1	Bushing
21	3765	1	Washer-Shim
22	114823	1	Washer-Curved Spring
23	106368	1	Idler Arm
24	3217-5	1	Nut-Hex
25	107938	1	Spring-Extension

Ref. No.	Part No.	Qty.	Description
26	3296-42	1	Nut-Lock
27	110769	1	Spring-Extension
28	106450	1	Spacer-Link
29	108501	1	Belt-Drive
30	106193	1	Screw-Spec HH
31	112426	1	Pulley-Idler
32	8693	1	Knob
33	110780-03	1	Handle-Brake & Clutch
34	8722	1	Knob
35	3272-2	1	Pin-Cotter
36	9117474	1	Screw-Phcr
37	106369	1	Lever-Brake
38	9202634	1	Washer-Flat
39	321-6	1	Screw-HH
40	83-2820	1	Spring-Extension
41	9109484	2	Screw-Phcr
42	111332	1	Switch-Interlock
43	9157324	2	Nut-Lock

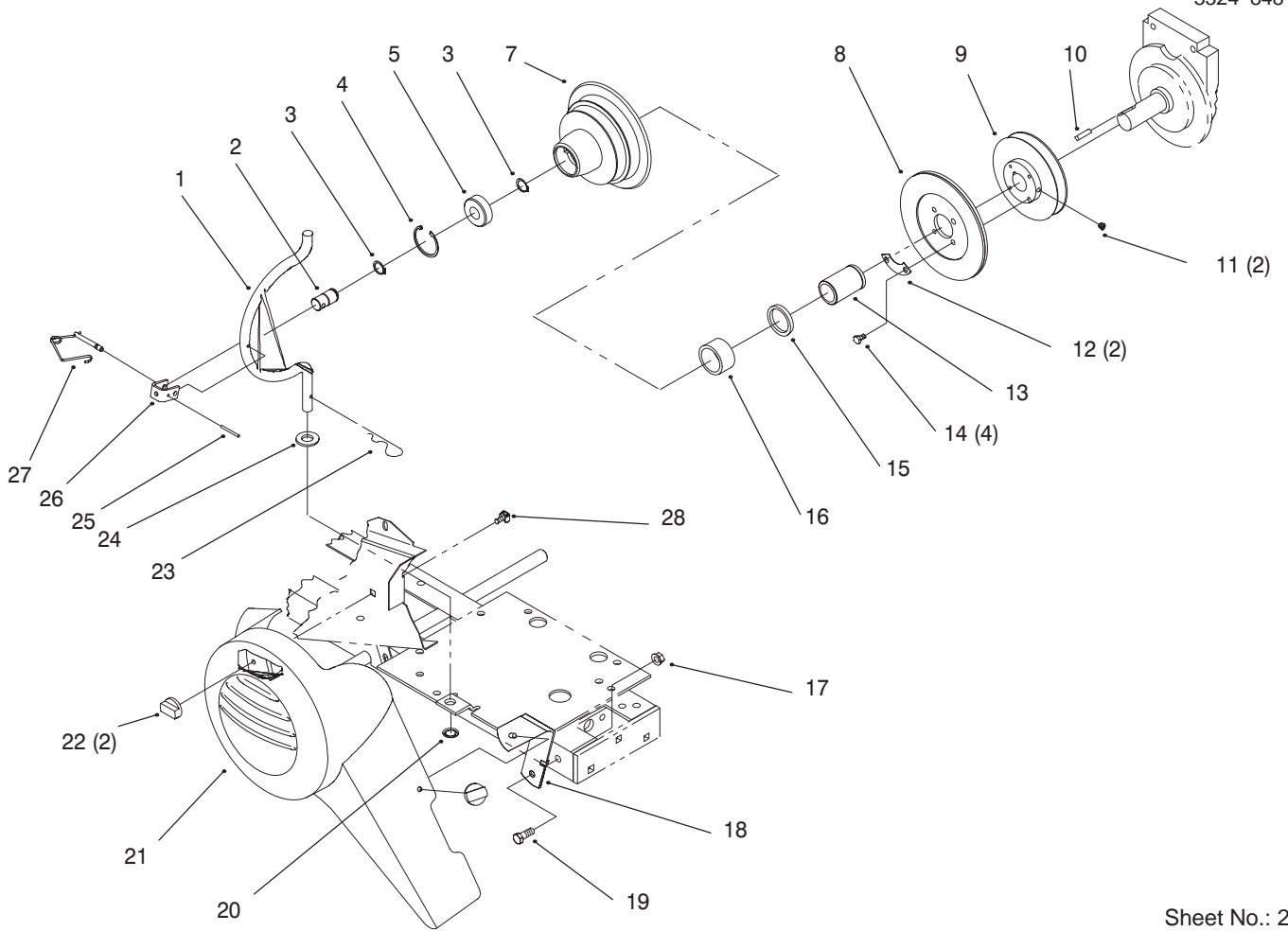


Sheet No.: 20

Fender, Seat

Ref. No.	Part No.	Qty.	Description
1	701178	2	Cap-Protector
2	3296-58	2	Nut-Flange
3	92-7054	2	Spring-Compression
4	322-5	4	Screw-HH
5	105503	2	Bushing
6	92-6986	2	Bolt-Shoulder
7	92-6972-03	1	Support-Seat
8	92-6750	2	Spacer-Nylon
9	92-6511	1	Seat
10	9266944	4	Screw-HH
11	94-3722-01	1	Fender
12	79-0970-03	1	Bracket-Pivot LH
13	109989	2	Spacer
14	94-2869	2	Washer-Flat
15	700806	2	Knob
16	3296-29	2	Nut-Lock
17	79-0950-03	1	Bracket-Pivot RH
18	9266974	4	Screw-HH
19	38-1420	1	Switch-Seat
20	3250-31	4	Screw-Phcr
22	105202	2	Base-Light
23	3254-1	4	Washer-Lock
24	3296-27	4	Nut-Lock
25	3023	2	Clip
26	112564	2	Lens-Light
27	116446	1	Decal-Do Not Tow

Ref. No.	Part No.	Qty.	Description
28	94-6334	1	Decal-Rear Fender
30	94-6331	1	Decal-Wheelhorse USA

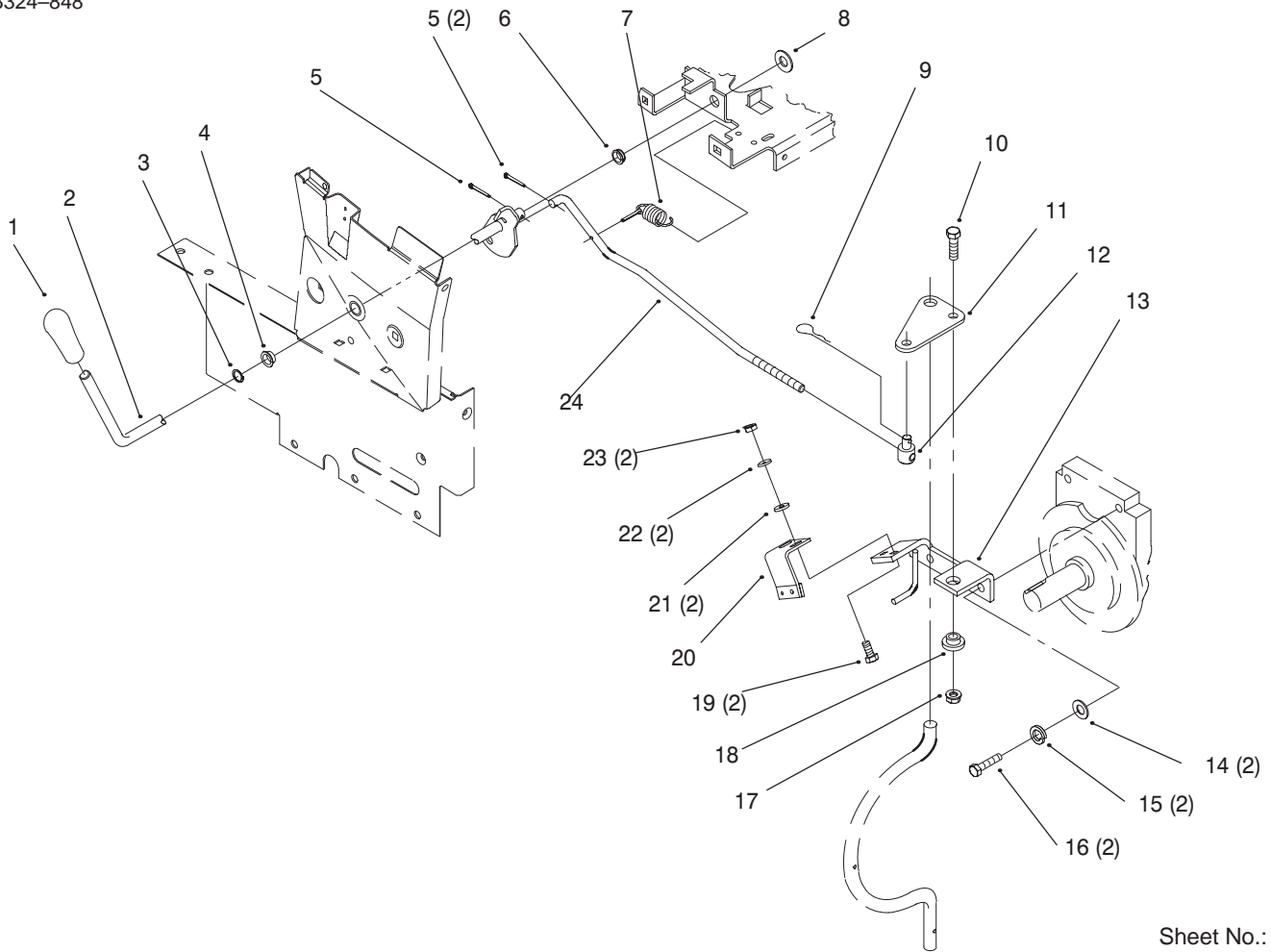


Sheet No.: 22

PTO Clutch Pulley

Ref. No.	Part No.	Qty.	Description
1	113108	1	Rod-PTO Housing
2	102872	1	Shaft-PTO
3	32120-72	2	Ring-Retaining
4	32120-62	1	Ring-Retain
5	109842	1	Bearing-Ball
7	103478	1	Housing-Clutch
8	114881	A/R	ASM-PTO Clutch Plate
8	94-6650	1	ASM-Plate
9	7443	1	Pulley-Engine
10	105453	1	Key-Sq
11	3246-2	2	Screw-HSH Set
12	6659	2	Retainer
13	6658	1	Race-Bearing
14	9080026	4	Screw-Lock
15	6663	1	Seal-Oil
16	6662	1	Bearing-Needle
17	32128-40	1	Nut-Lock
18	94-3726	1	Bracket
19	323-6	1	Screw-HH
20	106695	1	Ring-Push On
21	94-3704	1	Belt Cover-PTO
22	94-3735	2	Nut-Wing
23	9335064	1	Hairpin
24	3256-27	1	Washer-Flat
25	933274	1	Pin-Spirol

Ref. No.	Part No.	Qty.	Description
26	113107	1	Clevis
27	111314	1	ASM-Pin
28	94-3729	1	Retainer-Bolt

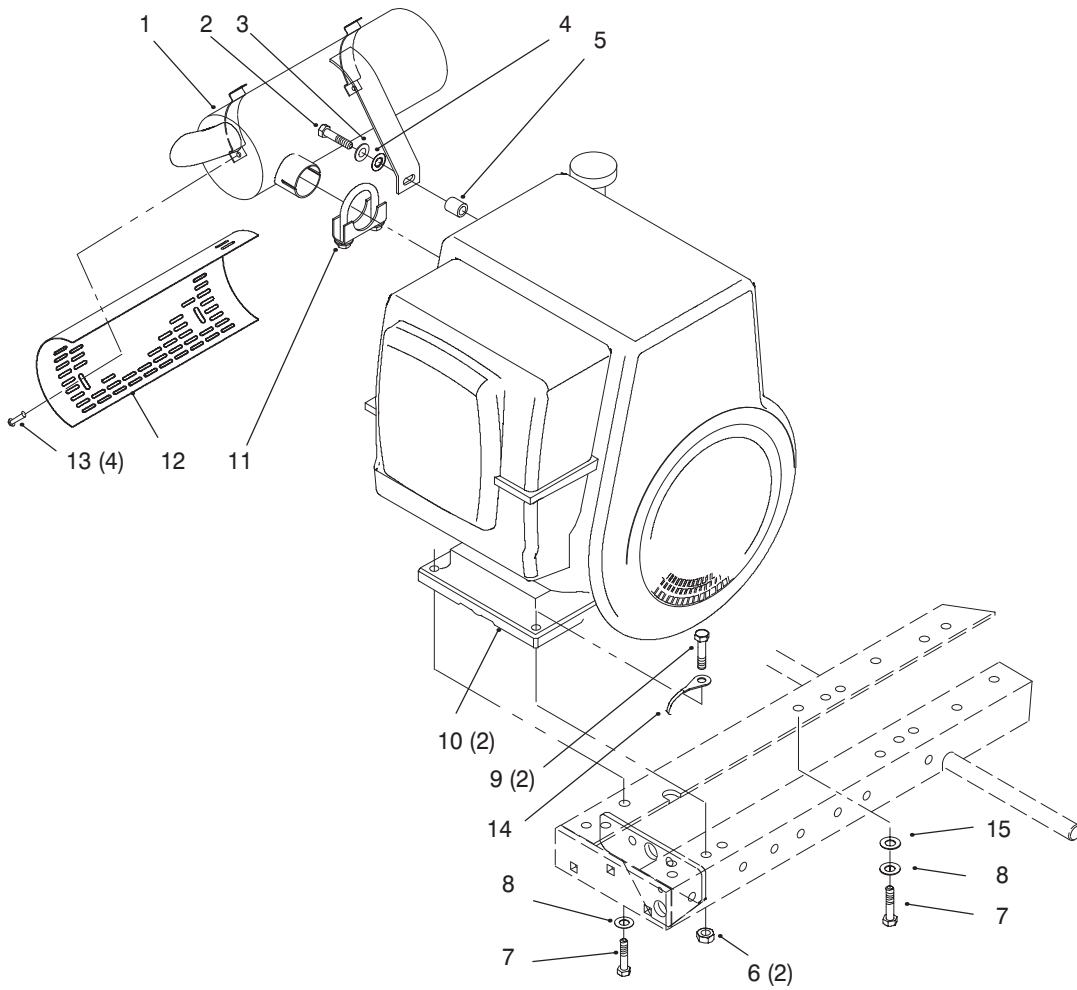


Sheet No.: 23

PTO Clutch Linkage

Ref. No.	Part No.	Qty.	Description
1	94-3727	1	Knob
2	94-3701	1	PTO Clutch Lever
3	32151-11	1	Ring-Grip
4	5666	1	Bushing-Nyliner
5	3272-10	3	Pin-Cotter
6	5983	1	Bushing
7	103125	1	Spring-Extension
8	3765	1	Washer-Shim
9	9335054	1	Hairpin
10	323-7	1	Screw-HH
11	110669	1	Plate-PTO
12	110656	1	Trunnion
13	111241	1	ASM-Engine PTO Bracket
14	3256-25	2	Washer-Flat
15	3253-6	2	Washer-Lock
16	324-5	2	Screw-HH
17	3296-39	1	Nut-Lock
18	104859	1	Spacer-Link
19	3229-25	2	Screw-CARR
20	110665	A/R	ASM-Bracket
20	94-6652	1	ASM-Brake
21	3256-22	2	Washer-Flat
22	3253-3	2	Washer-Lock
23	3218-1	2	Nut-Jam
24	111052	1	Rod-PTO Clutch

Ref. No.	Part No.	Qty.	Description

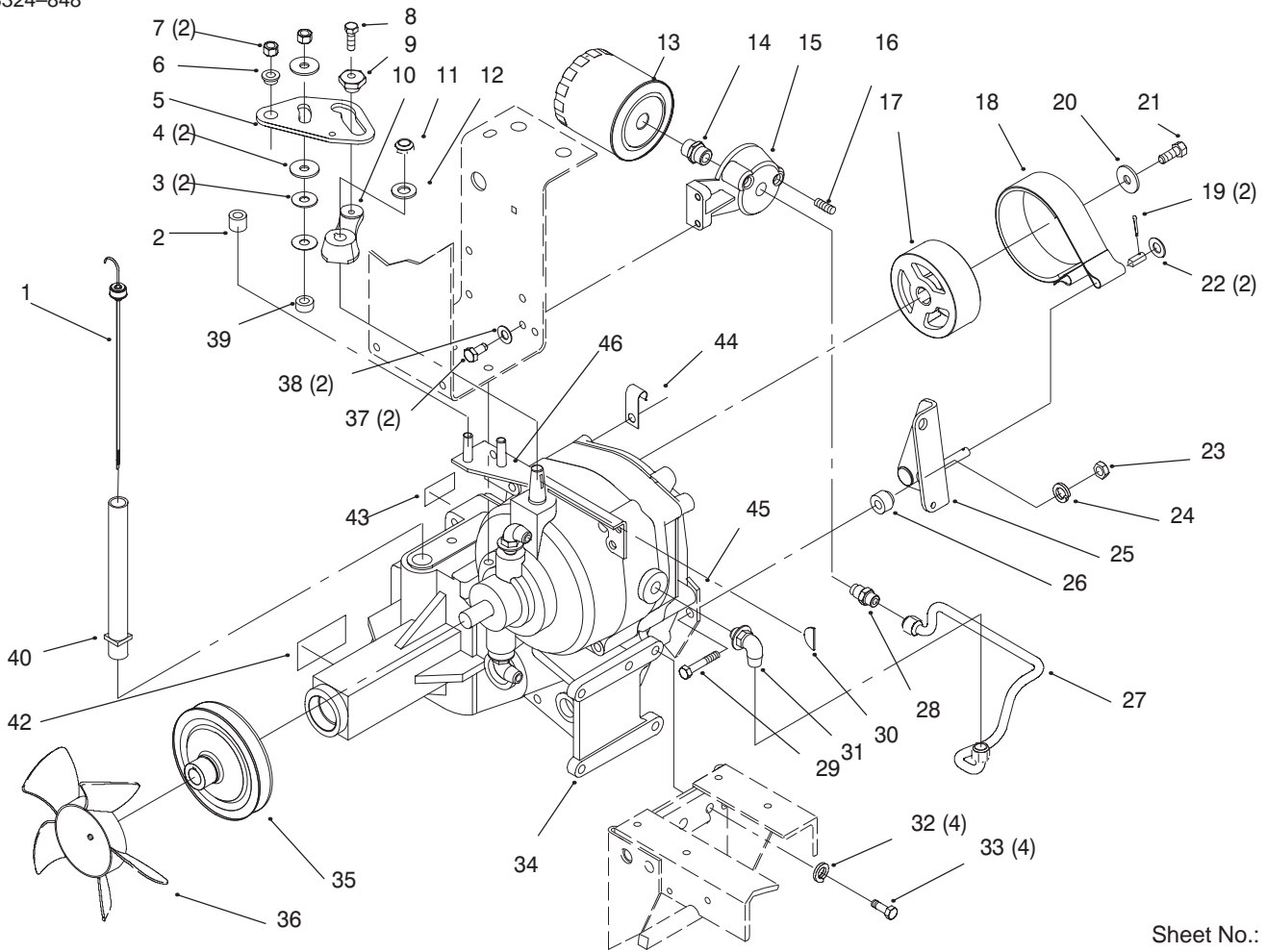


Sheet No.: 25

Engine

Ref. No.	Part No.	Qty.	Description
1	94-3739	1	Muffler
2	322-7	1	Screw-HH
3	3253-4	1	Washer-Lock
4	3256-23	1	Washer-Flat
5	6876	1	Spacer
6	3296-39	2	Nut-Lock
7	323-6	2	Screw-HH
8	3253-21	2	Washer-Spring Lock
9	323-8	2	Screw-HH
10	92-1532	1	Engine-14 Hp Kohler
11	106858	1	Clamp
12	94-3738	1	Shield-Heat
13	9103312	4	Screw
14	109910	1	Wire-Ground
15	3255-9	1	Washer-Lock

Ref. No.	Part No.	Qty.	Description

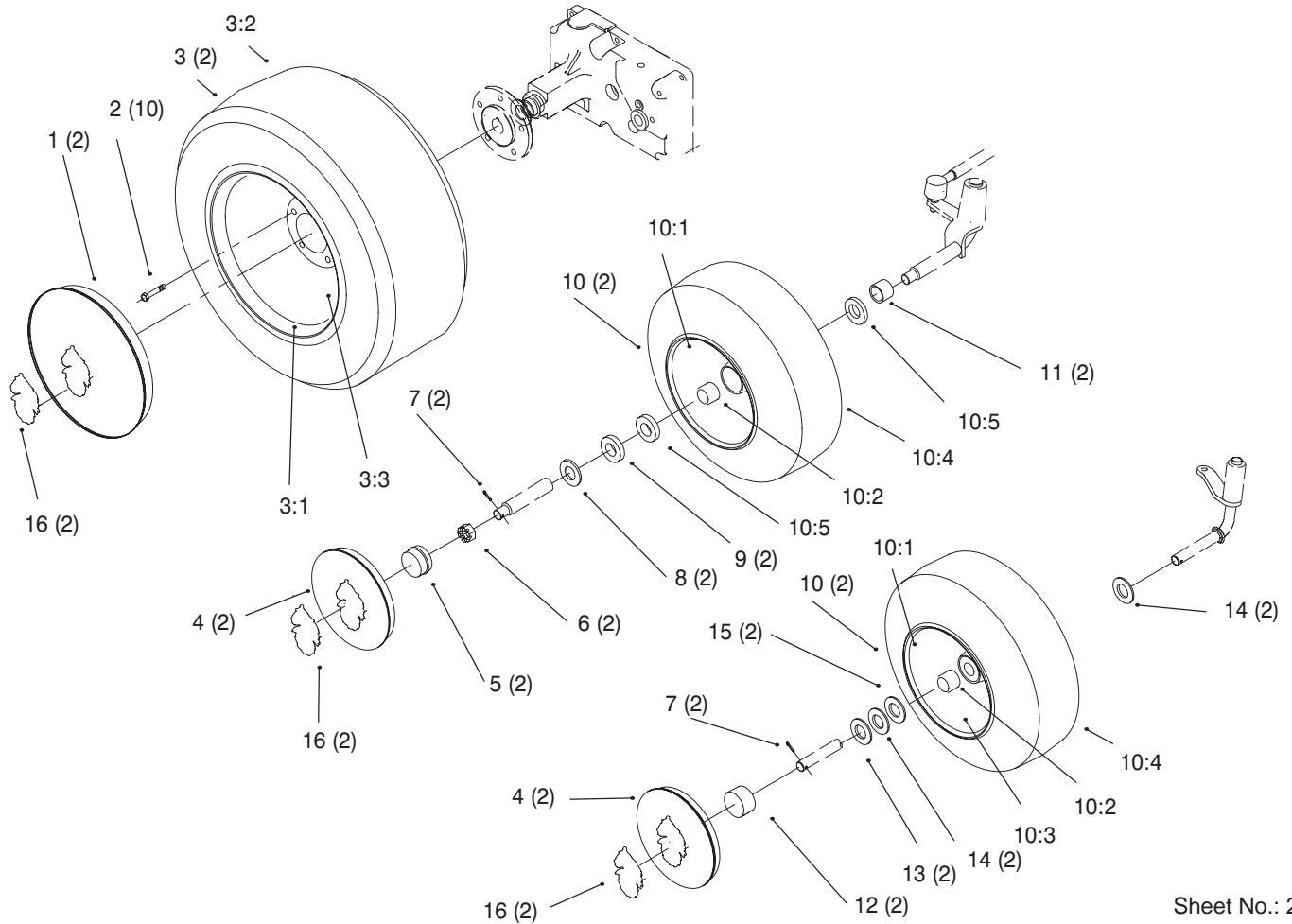


Sheet No.: 28

Transmission

Ref. No.	Part No.	Qty.	Description
1	110768	1	Dipstick
2	108326-03	1	Spacer-Pivot
3	100365	2	Washer-Spring Disc
4	100305	2	Washer-Friction
5	108333	1	Plate-Speed Control Cam
6	100309	1	Bushing-Cam Pivot
7	108881	2	Nut-Hex
8	9080196	1	Screw-HH
9	106661	1	Cam-Eccentric
10	108325	1	Arm-Speed Control
11	3296-45	1	Nut
12	3256-26	1	Washer-Flat
13	79-5270	1	Filter-Oil
14	5991	1	Fitting-Filter
15	108323	1	Base-Filter
16	281-10	1	Plug-Pipe
17	106719	1	Drum-Brake
18	109371	1	Brake Band
19	3272-6	2	Pin-Cotter
20	2844	1	Washer-Flat
21	3235-22	1	Screw-HH Lock
22	3256-24	2	Washer-Flat
23	3296-39	1	Nut-Lock
24	3256-4	1	Washer-Flat
25	78-7740	1	ASM-Brake Pivot Arm

Ref. No.	Part No.	Qty.	Description
26	109356	1	Bushing-Brake Pivot
27	79-5020	1	Tube Cmplt- Flatr To Pump
28	102628	1	Fitting-Hyd Tube
29	323-9	1	Screw-HH
30	3257-24	1	Key-Woodruff
31	108365	1	Fitting-Hyd Tube
32	3253-21	4	Washer-Spring Lock
33	323-7	4	Screw-HH
34	93-9814	1	ASM-Transaxle
35	108316	1	Pulley-Hydro
36	108393	1	Fan-Hydro
37	322-3	2	Screw-HH
38	3253-4	2	Washer-Lock
39	108327	1	Spacer-Pivot
40	106448	1	Nipple-Trans Filler
42	88-2790	1	Decal-Danger
43	94-1834	1	Decal-Unidrive

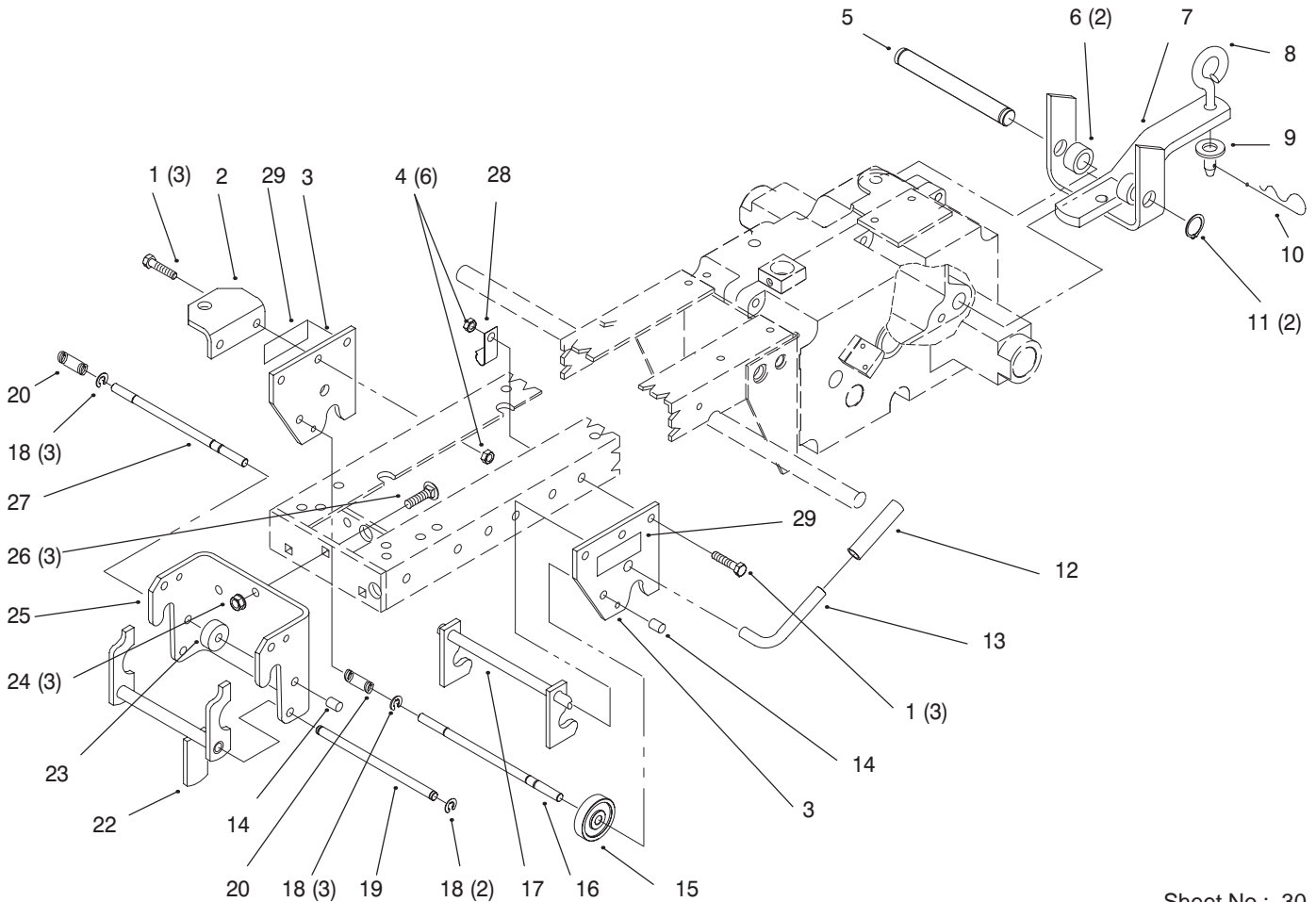


Sheet No.: 29

Wheels And Tires

Ref. No.	Part No.	Qty.	Description
1	94-3731	2	Hubcap 12"
2	83-2720	10	Bolt-Lug
3		2	ASM-Wheel & Tire
3:1	111516	2	Wheel
3:2	116744	2	Tire
3:3	5108	2	Valve-Tire Tubeless
4	94-3730	2	Hubcap 8"
7	3272-17	2	Pin-Cotter
10	93-9800	2	ASM-Wheel & Tire
10:1	117287	1	Wheel W/Zerk
*	109500	1	Fitting-Grease
10:2	112823	2	Bearing-Roller
10:3	5108	1	Valve Tubeless Tire
10:4	116867	1	Tire
10:5	93-9807	1	Seal-Oil
12	111951	2	Cap-Hub
13	111952	2	Washer-Hub Cap
14	1278	4	Washer-Shim
15	5210	2	Washer-Shim
16	94-3709	4	Horsehead Logo

Ref. No.	Part No.	Qty.	Description

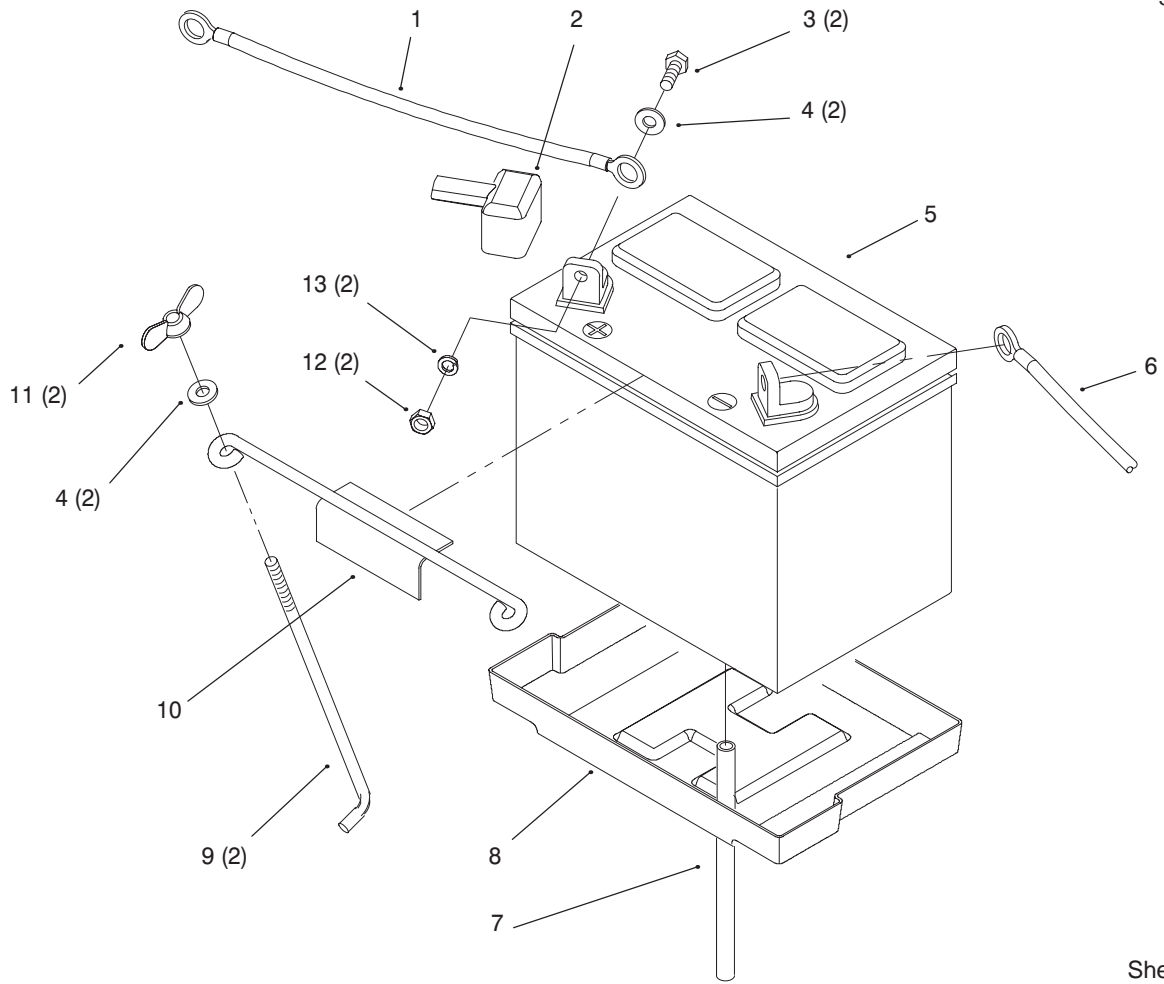


Sheet No.: 30

Hitches

Ref. No.	Part No.	Qty.	Description
1	323-44	6	Screw-HH
2	102870	1	Bracket-PTO Support
3	102644	2	Plate-Hitch
4	3296-39	6	Nut-Lock
5	105269	1	Pin-Drawbar Hitch
6	9791204	2	Spacer
7	1644	1	ASM-Drawbar Hitch
8	106634	1	Pin-Tool
9	3256-26	1	Washer-Flat
10	9335054	1	Hairpin
11	5618	2	Ring-Retaining
12	9038	1	Grip
14	105316	2	Cap-Rod
15	101017	1	Lock-Hitch
16	83-6520	1	Rod-Lock
17	117930	1	ASM-Latch
18	105797	8	Ring-Ext Ret
19	101750	1	Rod-Latch Pivot
20	8616	2	Spring
22	93-1613	1	Latch
23	101707	1	Lock-Attachment
24	3296-39	3	Nut-Lock
25	101711	1	Plate-Front Hitch
26	3231-25	3	Screw-CARR
27	101751	1	Rod-Lock

Ref. No.	Part No.	Qty.	Description
28	8830	1	Retainer-"j"
29	94-6330	2	Decal-Attach A Matic

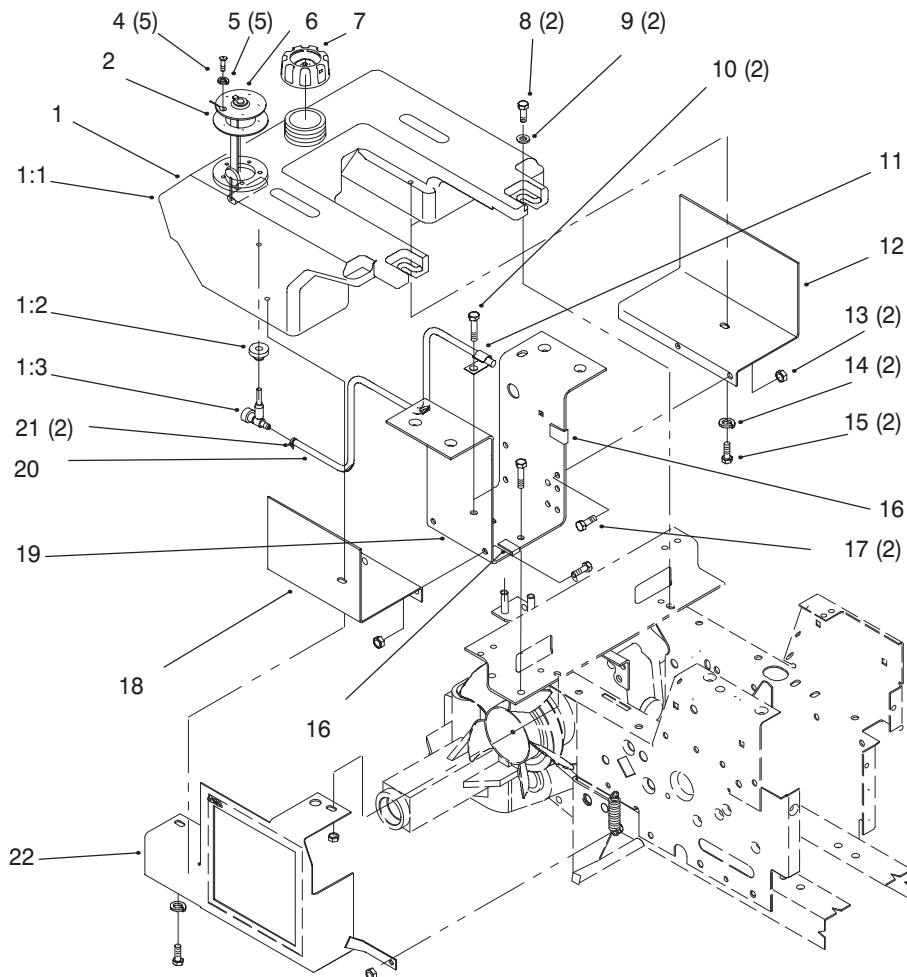


Sheet No.: 31

Battery

Ref. No.	Part No.	Qty.	Description
1	111074	1	Cable-Battery
2	109553	1	Boot-Battery Cable
3	321-4	2	Screw-HH
4	3256-22	4	Washer-Flat
5	105842	1	Battery
6	111069	1	Cable-Battery
7	114720	1	Tube-Battery Drain
8	106948	1	Tray-Battery
9	113969	2	Hook-Retainer
10	113010	1	Hold Down
11	32103-22	2	Nut-Wing
12	3296-42	2	Nut-Lock
13	3253-3	2	Washer-Lock

Ref. No.	Part No.	Qty.	Description

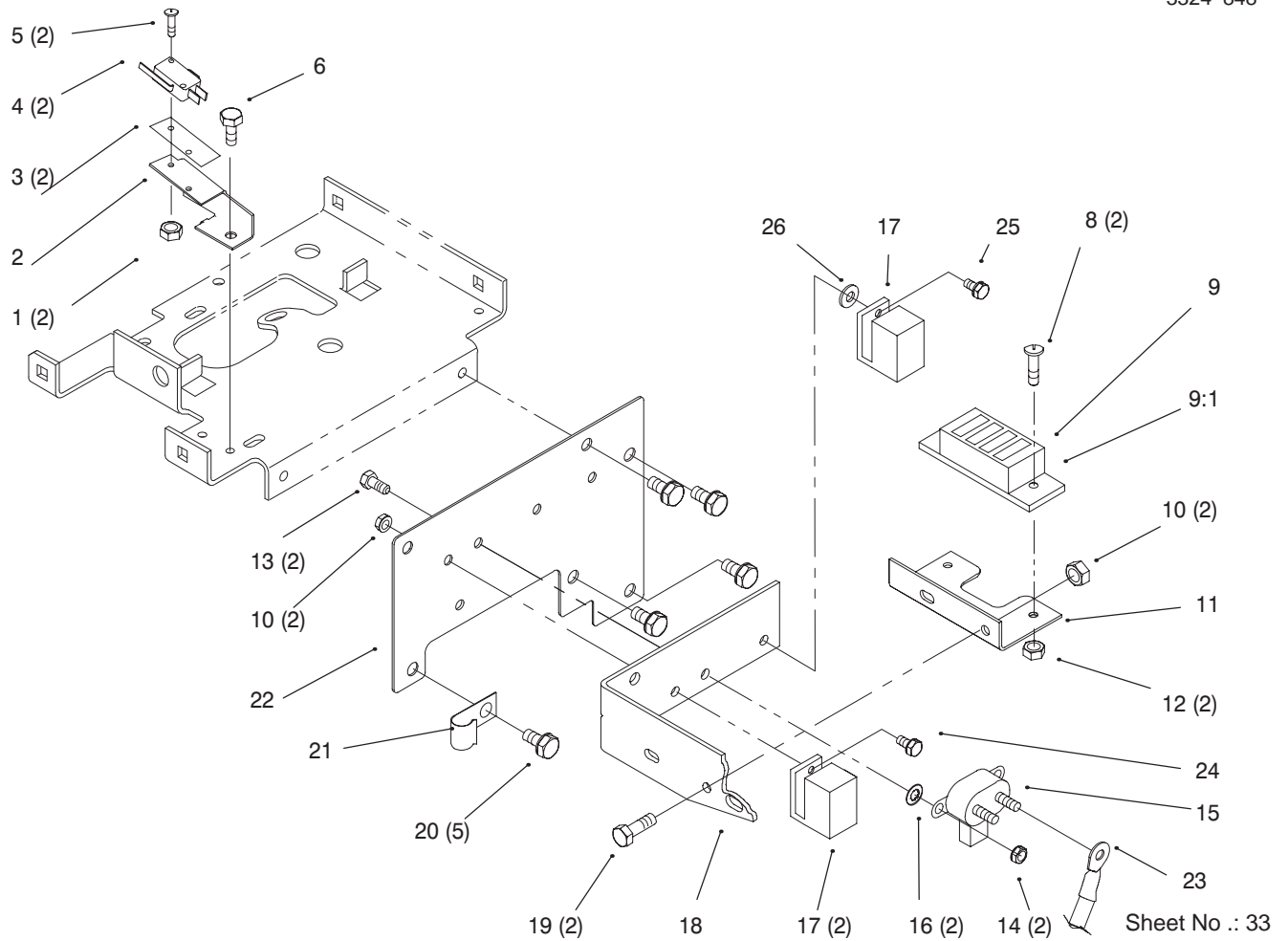


Sheet No.: 32

Fuel Tank

Ref. No.	Part No.	Qty.	Description
1	106234	1	ASM-Tank
7	55-3570	1	ASM-Cap
8	9266974	2	Screw-HH
9	3256-4	2	Washer-Flat
10	3235-22	2	Screw-HH Lock
11	8830	1	Retainer-"j"
12	108464	1	Support-Fuel Tank LH
13	3296-29	4	Nut-Lock
14	3253-4	2	Washer-Lock
15	322-2	2	Screw-HH
16	519337	1	Clip
17	322-3	4	Screw-HH
18	106236	1	Support-Fuel Tank RH
19	79-4990	1	Bracket-Fender Support
20	92-9511	1	Line-Fuel 62"
21	2412-98	2	Clamp-Hose

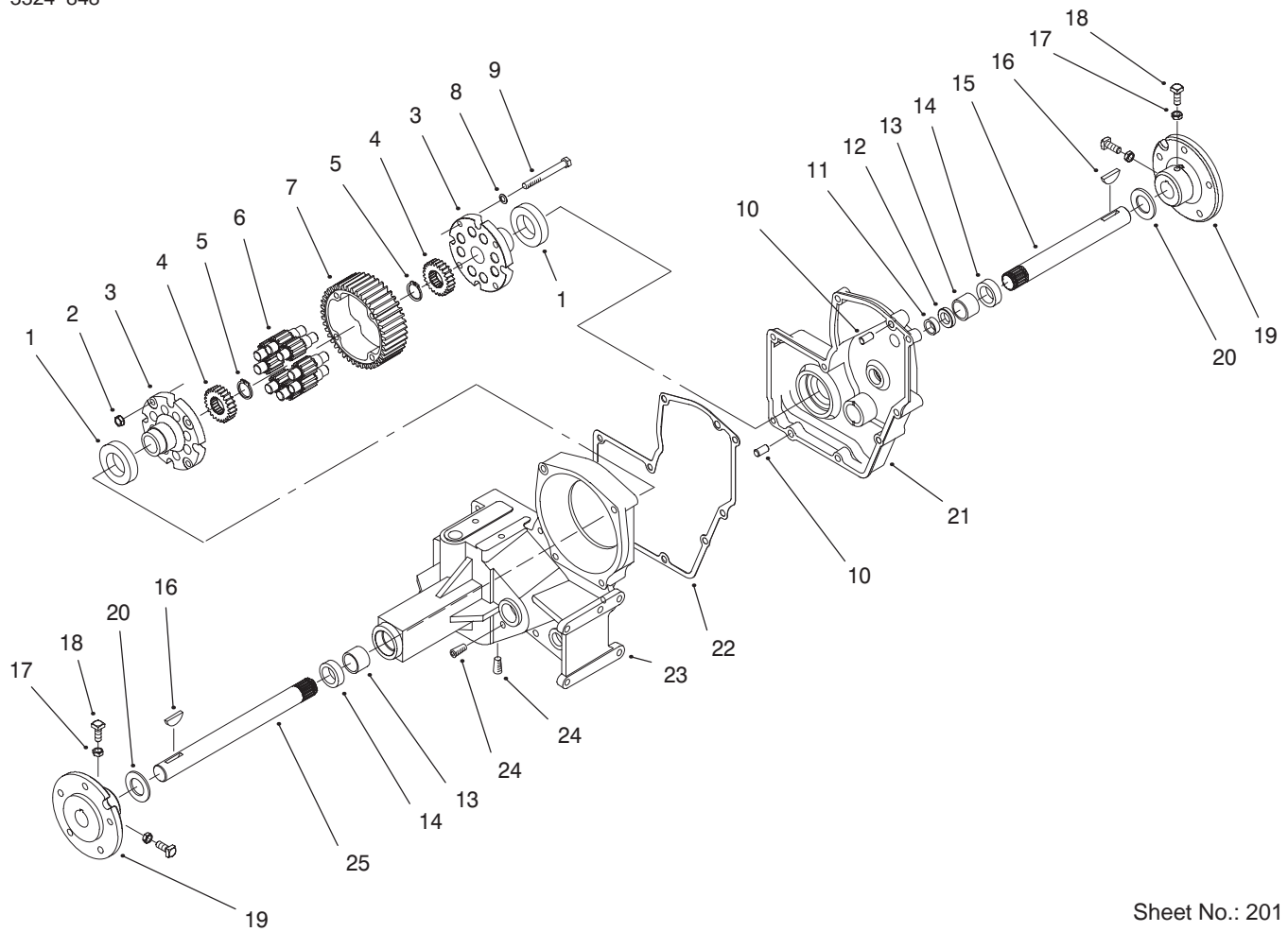
Ref. No.	Part No.	Qty.	Description



Front Plate. Relays

Ref. No.	Part No.	Qty.	Description
1	9157324	2	Nut-Lock
2	115411	1	Bracket-Switch
3	111642	2	Barrier-Switch
4	111332	2	Switch-Interlock
5	9104784	2	Screw
6	9266714	1	Screw-HWHTF
8	9107944	2	Screw-Phcr
9	79-3610	1	Wire Harness & Schem.
9:1	120930	1	Fuse Holder
10	3296-42	4	Nut-Lock
11	117331	1	Bracket-Fuse Holder
12	9157404	2	Nut
13	9601524	2	Screw
14	3217-5	2	Nut-Hex
15	92-9845	1	Solenoid
16	3255-7	2	Washer-Lock
17	116397	2	Relay
18	109554	1	Bracket-Belt Guard
19	321-3	2	Screw-HH
20	9266944	5	Screw-HH
21	8830	1	Retainer-"j"
22	78-3020	1	Plate-Front
23	111069	1	Cable-Battery
24	3234-33	1	Screw-HFW

Ref. No.	Part No.	Qty.	Description
25	3234-13	1	Screw-HHF
26	3256-22	2	Washer-Flat

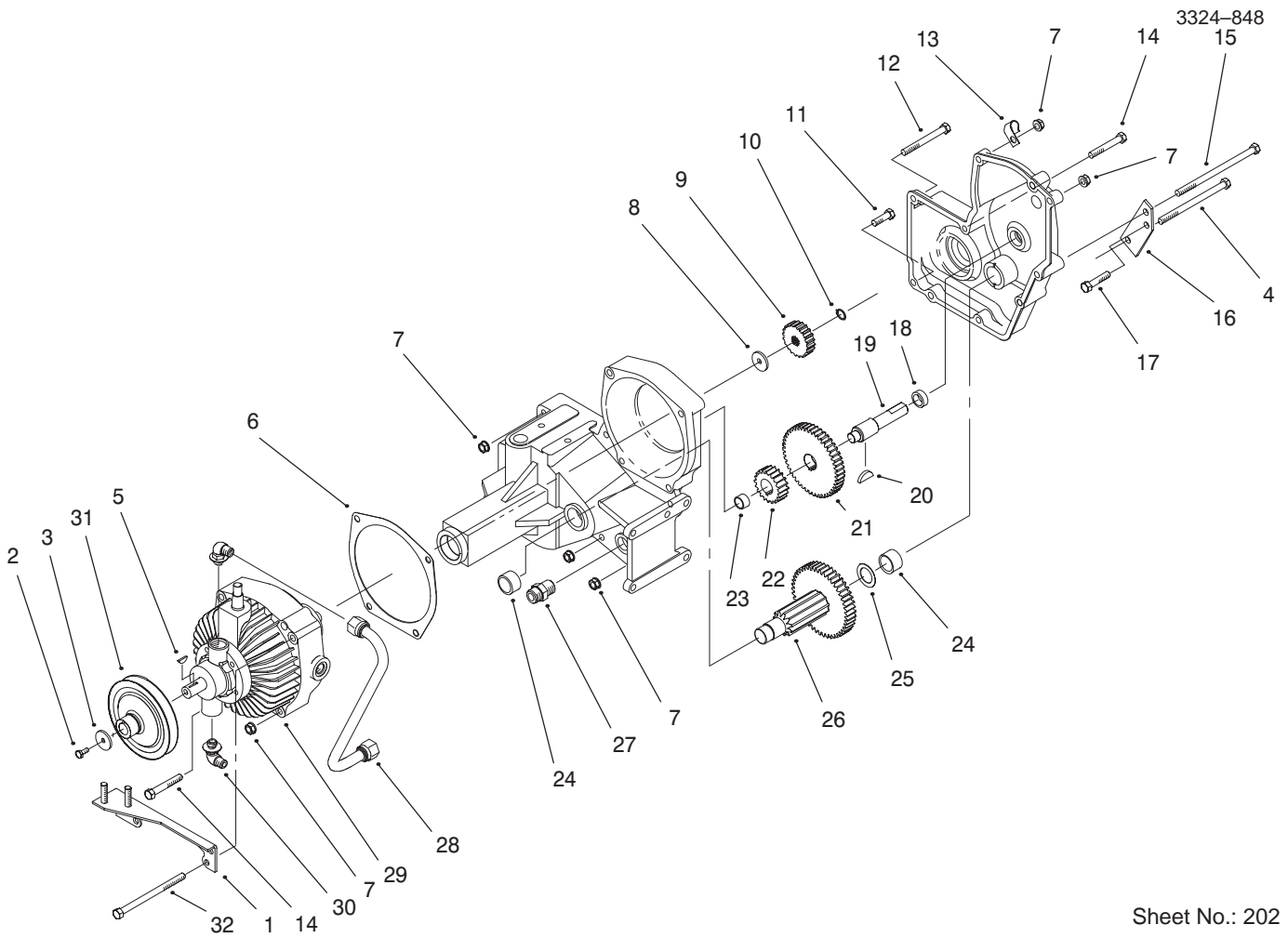


Sheet No.: 201

Hydrostatic Transmission

Ref. No.	Part No.	Qty.	Description
1	111199	2	Bearing Ball
2	108881	4	Nut-Hex
3	111196	2	End Cap-Differential
4	101889	2	Axle Diff Gear
5	105876	2	Snap Ring
6	101623	8	Pinion Gear 11t
7	105061	1	Gear Diff Bull 43t
8	107374	4	Washer
9	911423	4	Bolt-Hex
10	108363	2	Pin-Locating
11	1538	1	Needle Bearing
12	108357	1	Seal-Oil
13	9416	2	Bearing
14	6449	2	Seal-Oil
15	108361	1	Axle-Rear LH
16	937108	2	Woodruff Key
17	3218-3	4	Nut-Jam
18	3243-5	4	Screw-Set
19	105763	2	Hub-Wheel
20	106826	2	Washer-Thrust
21	111201	1	Case-Transaxle
22	108312	1	Gasket-Transaxle
24	281-10	2	Plug-Pipe
25	113927	1	Case-Transaxle
27	108362	1	Axle-Rear RH

Ref. No.	Part No.	Qty.	Description

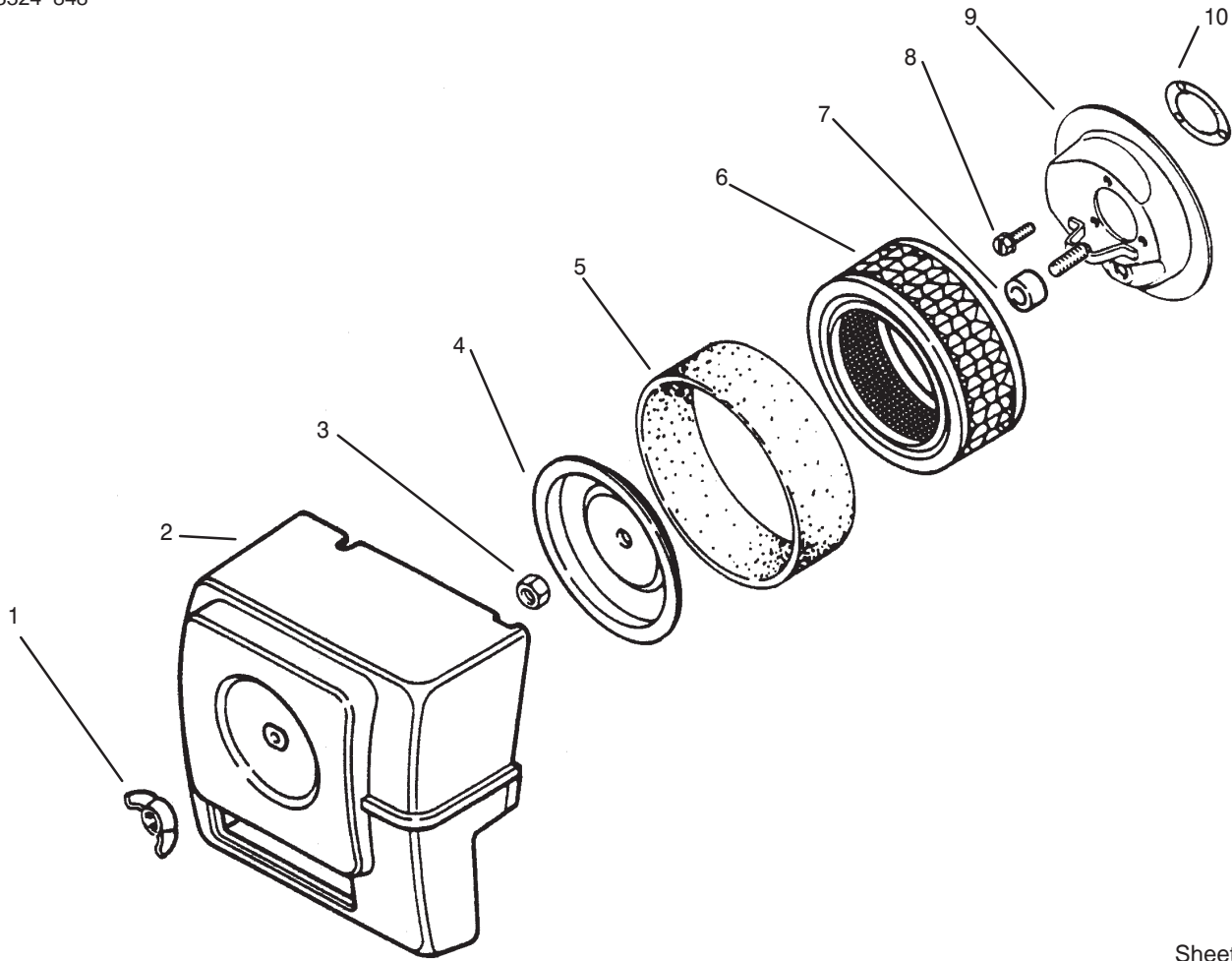


Sheet No.: 202

Hydrostatic Transmission (Continued)

Ref. No.	Part No.	Qty.	Description
1	108329	1	ASM—Control Plate
2	9080026	1	Screw—Lock
3	103995	1	Washer
4	323—25	3	Screw—HH
5	937089	1	Key—Woodruff
6	108319	1	Gasket—Pump & Motor
7	3296—39	6	Nut—Lock
8	108366	1	Spacer—Drive Gear
9	109751	1	Gear—20t
10	32120—64	1	Ring—Retaining
11	9080356	1	Screw—HH
12	323—15	2	Screw—HH
13	8830	1	Retainer—"j"
14	9080406	2	Screw—HH
15	323—26	1	Screw HH
16	109367	1	Bracket—Brake
18	7956	1	Washer—Thrust
19	109370	1	Shaft—Brake
20	937099	1	Key
21	109752	1	Gear—46t
22	109742	1	Gear—20t
23	1518	1	Needle Bearing
24	1532	2	Bearing—Needle
25	9547	1	Washer—Thrust
26	109703	1	M—Gear
26:1	101887	1	Gear—46t

Ref. No.	Part No.	Qty.	Description
26:2	101625	1	Pinion Shaft
27	108364	1	Fitting—Hydra Tube
28	111217	1	Tube —Suction
29	92—9848	1	Trans.—Hydro
30	108365	1	Fitting—Hydra Tube
31	108316	1	Pulley—Hydro



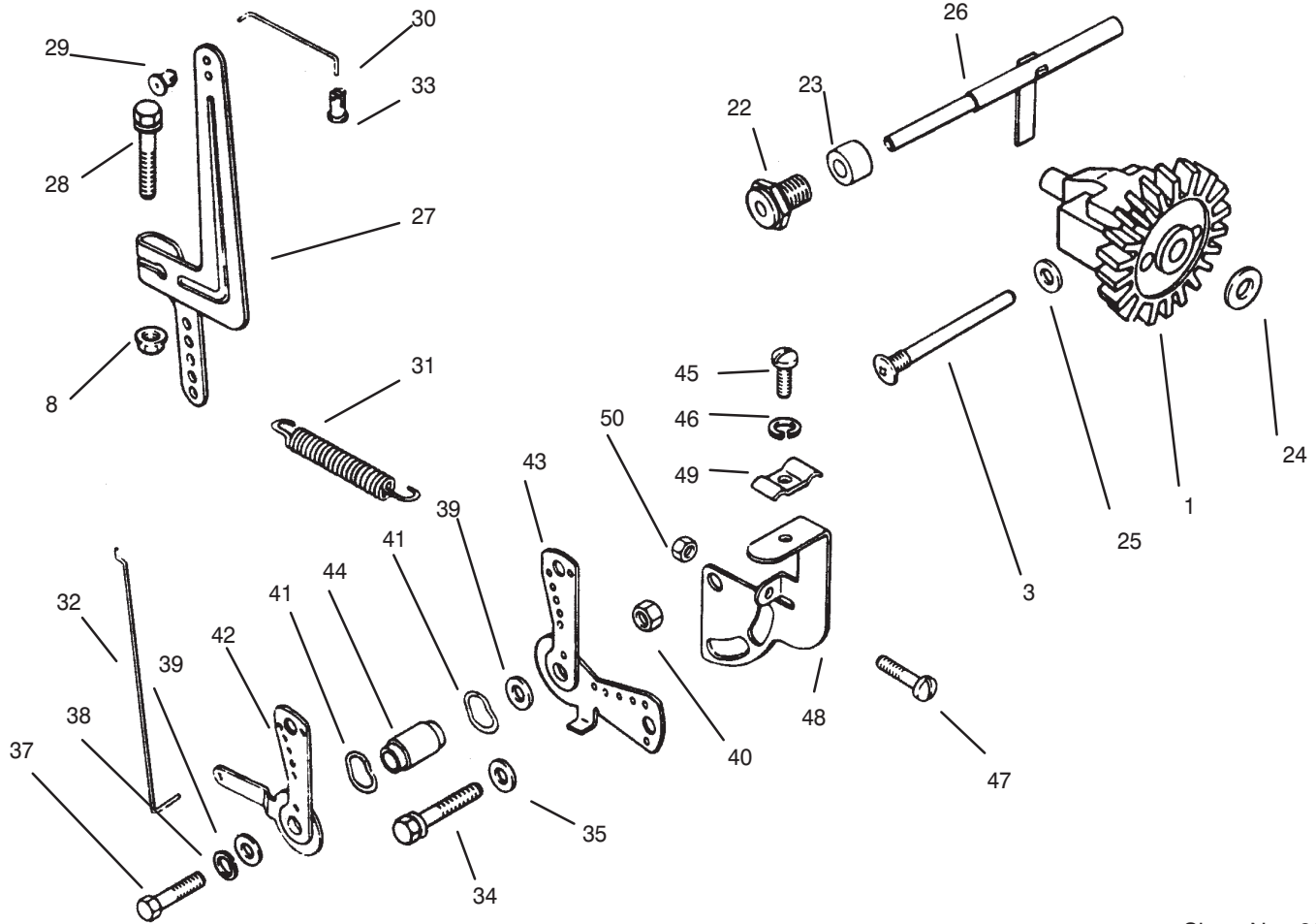
Sheet No.: 301

Air Cleaner Kohler Model MS14S-TS601559

Ref. No.	Part No.	Qty.	Description
1	X-276-7	1	Nut-Wing
2	47-096-10	1	Cover
3	41-100-04	1	Nut
4	52-082-04	1	Cover-Air Clean Element
5	45-083-01	1	Element-Precleaner
6	45-083-02	1	Element
7	231032	1	Seal
8	X-67-65	3	Screw
9	47-094-20	1	Base-Air Cleaner
10	45-041-07	1	Gasket
	41-113-02	1	Decal-Air Cleaner

Ref. No.	Part No.	Qty.	Description

Obtain parts from Kohler



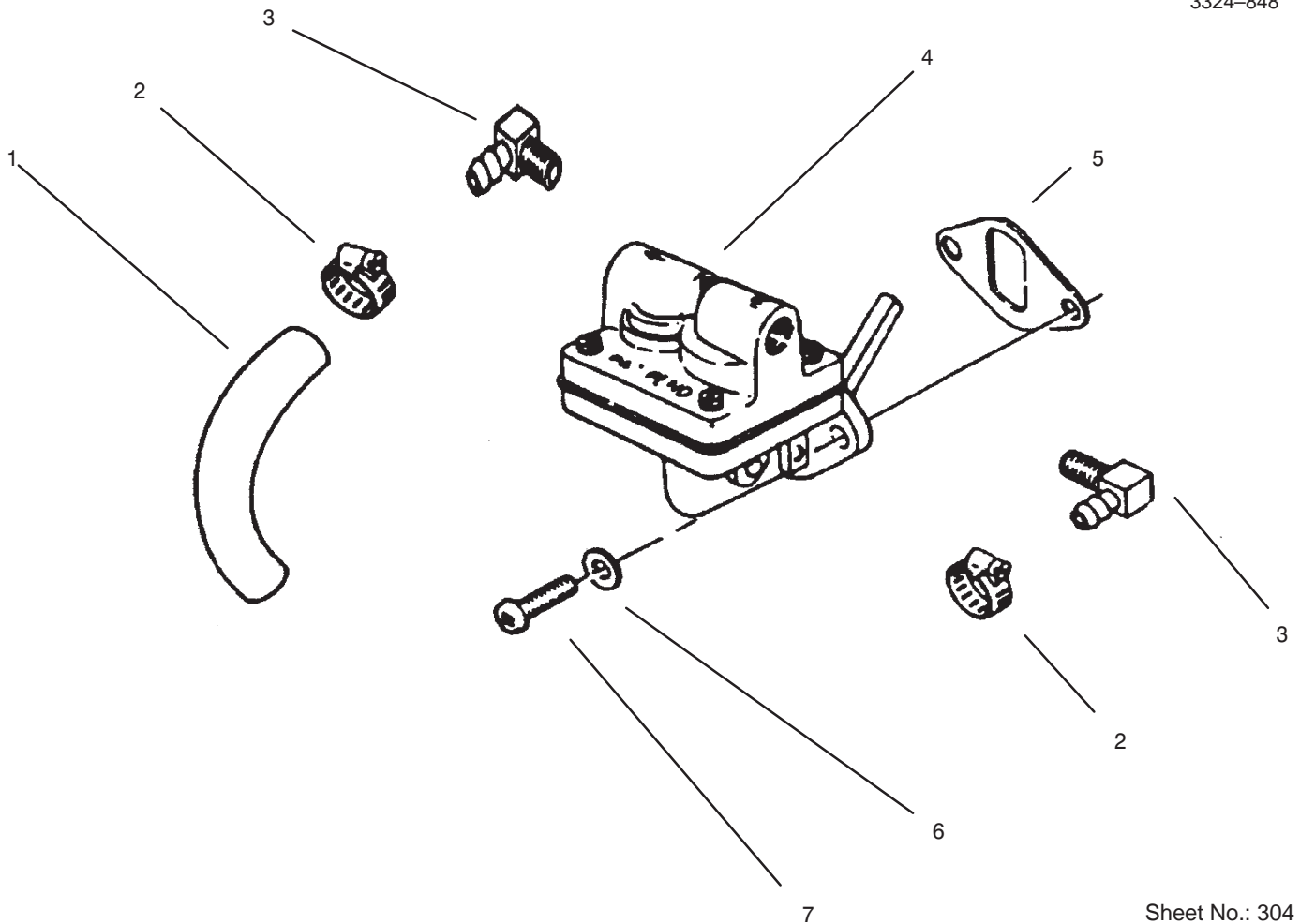
Sheet No.: 303

Governor Linkage Kohler Model MS14S-TS601559

Ref. No.	Part No.	Qty.	Description
1	A-235743-5	1	Kit-Governor Gear INCL 24
3	231355	1	Pin-Governor Stop
8	X-799-1	1	Nut-Pal
22	235476	1	Bushing
23	X-400-80	1	Spacer
24	237022	1	Washer
25	25-468-01	1	Washer
26	A-235256-S	1	Kit-Governor Cross Shaft
27	47-090-20	1	Lever-Governor
28	X-776-1	1	Screw
29	47-158-07	1	Bushing
30	47-079-10	1	Linkage
31	47-091-01	1	Spring
32	47-079-01	1	Linkage-Choke
33	25-158-09	1	Bushing
33	25-158-11	1	Bushing
34	X-132-6	1	Screw
35	X-25-72	1	Washer
37	X-5-26	1	Screw
38	X-20-1	1	Washer-Lock
39	X-25-63	1	Washer-Flat
40	X-76-2	1	Nut
41	275690	2	Washer
42	47-090-07	1	Lever-Choke Control

Ref. No.	Part No.	Qty.	Description
43	47-090-08	1	Lever-Throttle Control
44	47-112-02	1	Spacer
45	X-67-51	1	Screw
46	25-468-04	1	Washer
47	232556	1	Screw
48	47-126-09	1	Bracket-Clutch Contro;
49	47-237-02	1	Clamp
50	X-72-4	1	Nut
	47-087-03	1	Choke Lver ASM INCL 37-44

Obtain Parts from Kohler



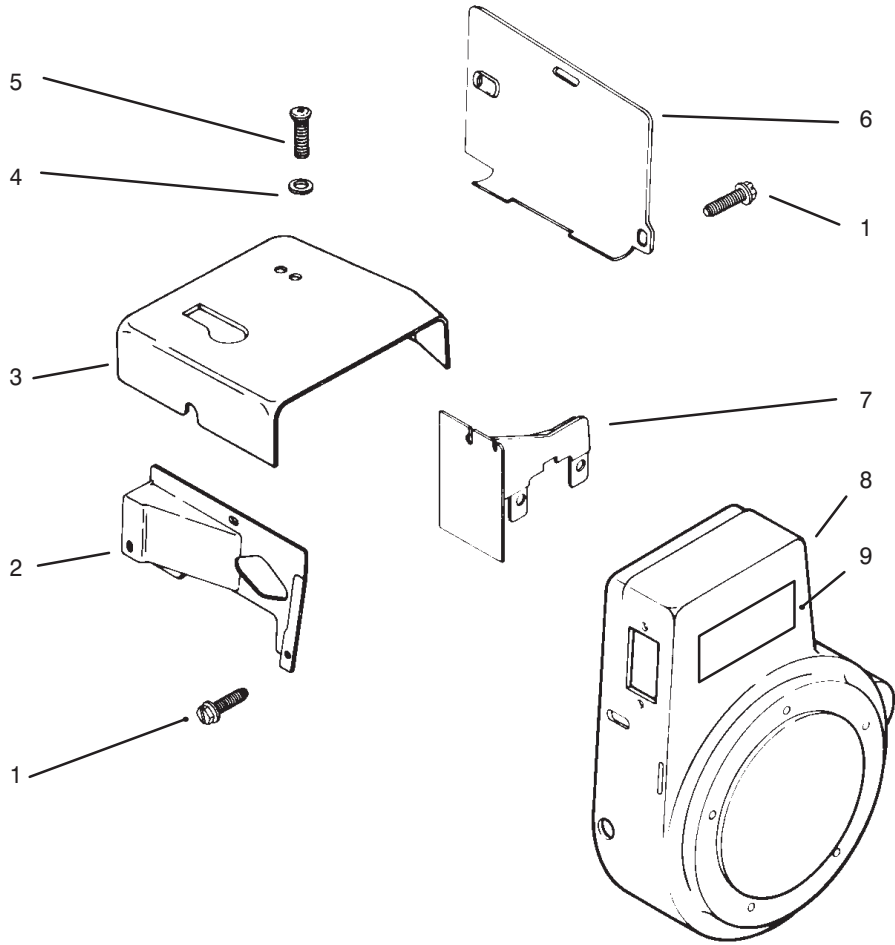
Sheet No.: 304

Fuel Pump Kohler Model MS14S-TS601559

Ref. No.	Part No.	Qty.	Description
1	25-353-01	1	Line-Fuel
2	X-426-9	2	Clamp-Hose
3	25-155-02	2	Connector-90 DEG
4	47-559-08	1	Pump ASM-Fuel INCL 5 & 7
5	25-041-05	1	Gasket
6	X-25-63	2	Washer-Flat
7	X-174-2	2	Screw-Pozidrive

Ref. No.	Part No.	Qty.	Description

Obtain parts from Kohler



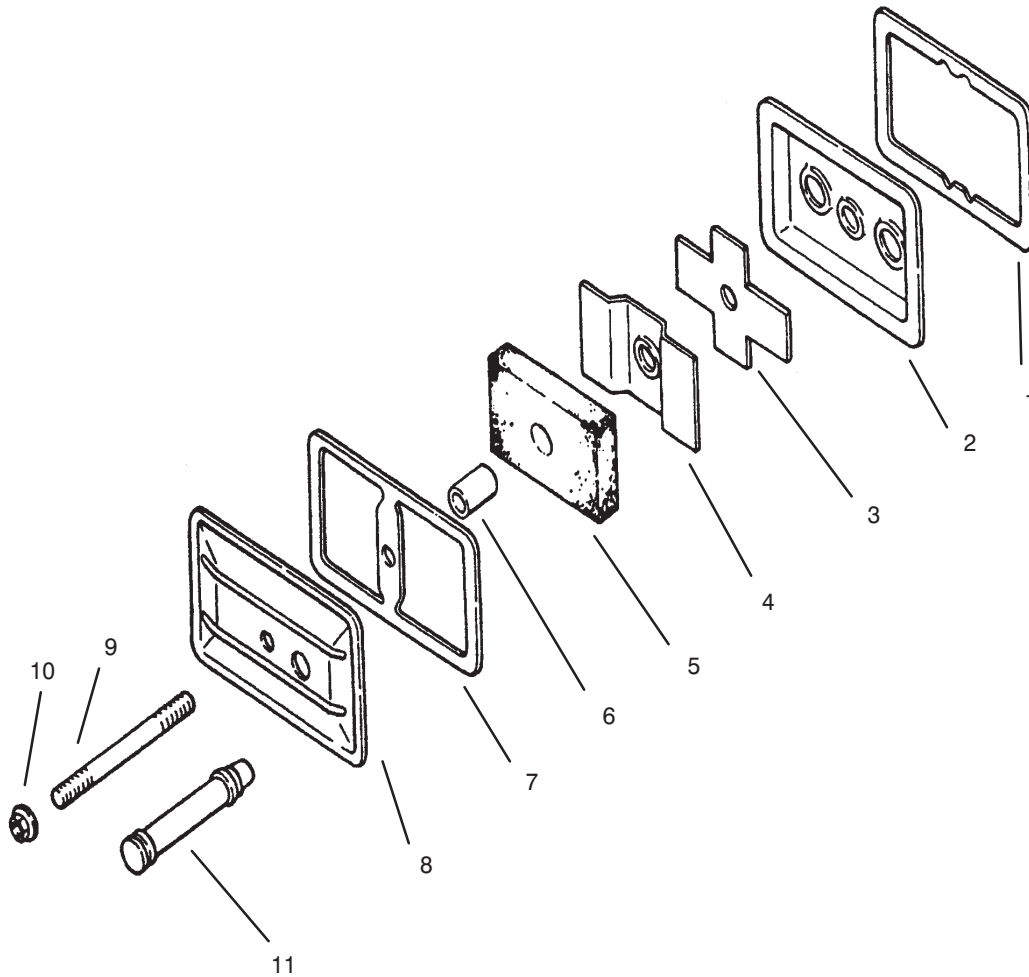
Sheet No. : 305

Baffles And Shrouds Kohler Model MS14S-TS601559

Ref. No.	Part No.	Qty.	Description
1	52-086-11	6	Screw-Hex Hd
2	47-086-06	1	Baffle-Side Air
3	45-063-08	1	Baffle-Head
4	X-25-53	1	Washer
5	47-086-08	3	Screw-Pozidrive TH
6	47-063-10	1	Baffle-Cylinder
7	47-063-07	1	Baffle-Inner
8	47-027-42	1	Housing-Blower
9	47-113-36	1	Decal-14hp

Ref. No.	Part No.	Qty.	Description

Obtain parts from Kohler

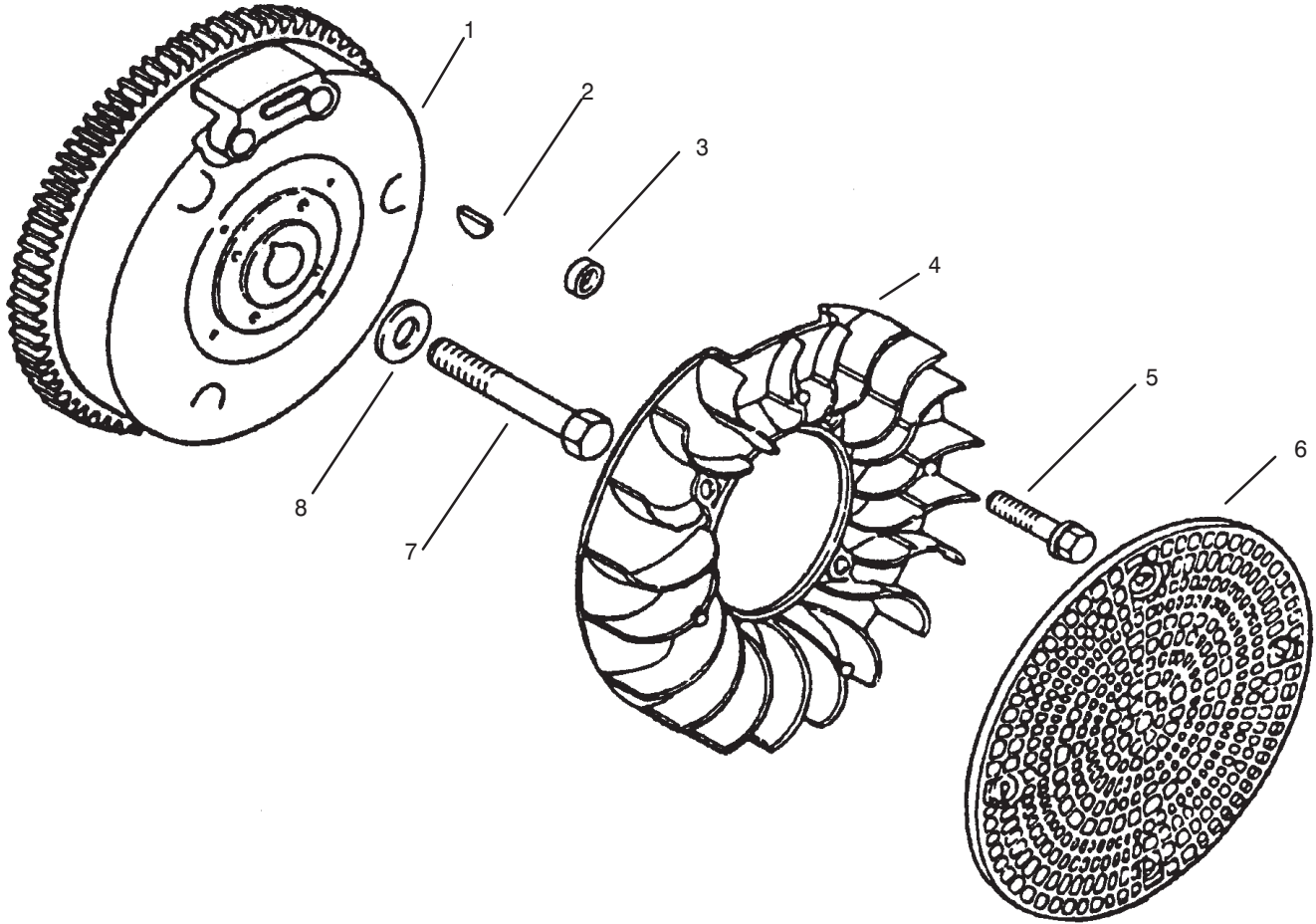


Sheet No.: 306

Breather And Vent Kohler Model MS14S-TS601559

Ref. No.	Part No.	Qty.	Description	Ref. No.	Part No.	Qty.	Description
1	236765	1	Gasket				
2	235631	1	Plate				
3	235047	1	Reed				
4	270146	1	Baffle				
5	47-050-01	1	Filter				
6	231032	1	Seal				
7	275144	1	Gasket				
8	47-096-01	1	Cover				
9	275220	1	Stud				
10	X-799-1	1	Nut-Pal				
11	47-326-03	1	Hose				

Obtain parts from Kohler



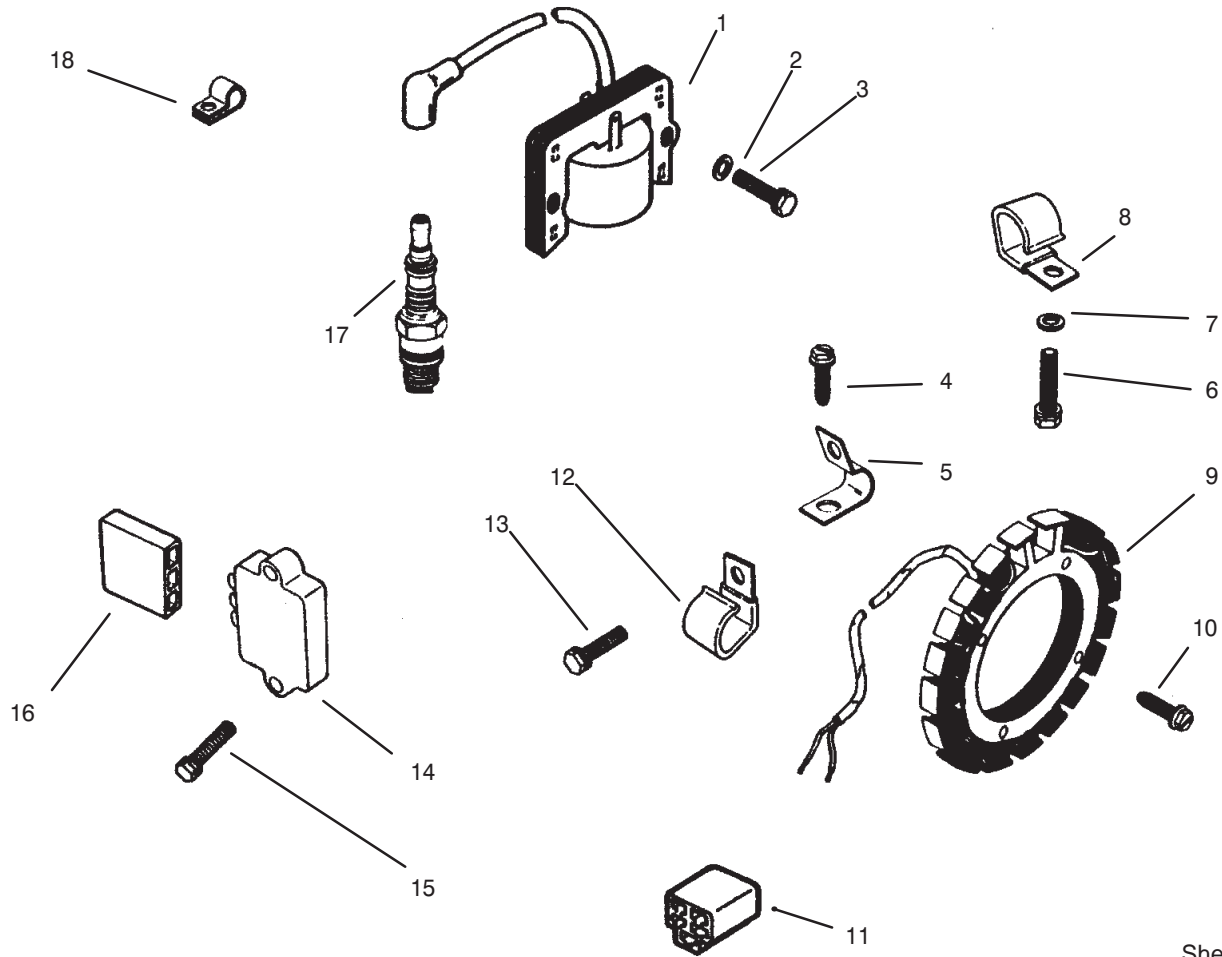
Sheet No.: 307

Flywheel Kohler Model MS14S-TS601559

Ref. No.	Part No.	Qty.	Description
1	47-025-53	1	Flywheel
2	X-46-3	1	Key-Woodruff
3	41-100-01	1	Spacer
4	25-157-01	1	Fan
5	25-086-21	4	Screw-Hex Hd
6	24-162-01	1	Screen
7	25-086-24	1	Screw
8	52-468-15	1	Washer

Ref. No.	Part No.	Qty.	Description

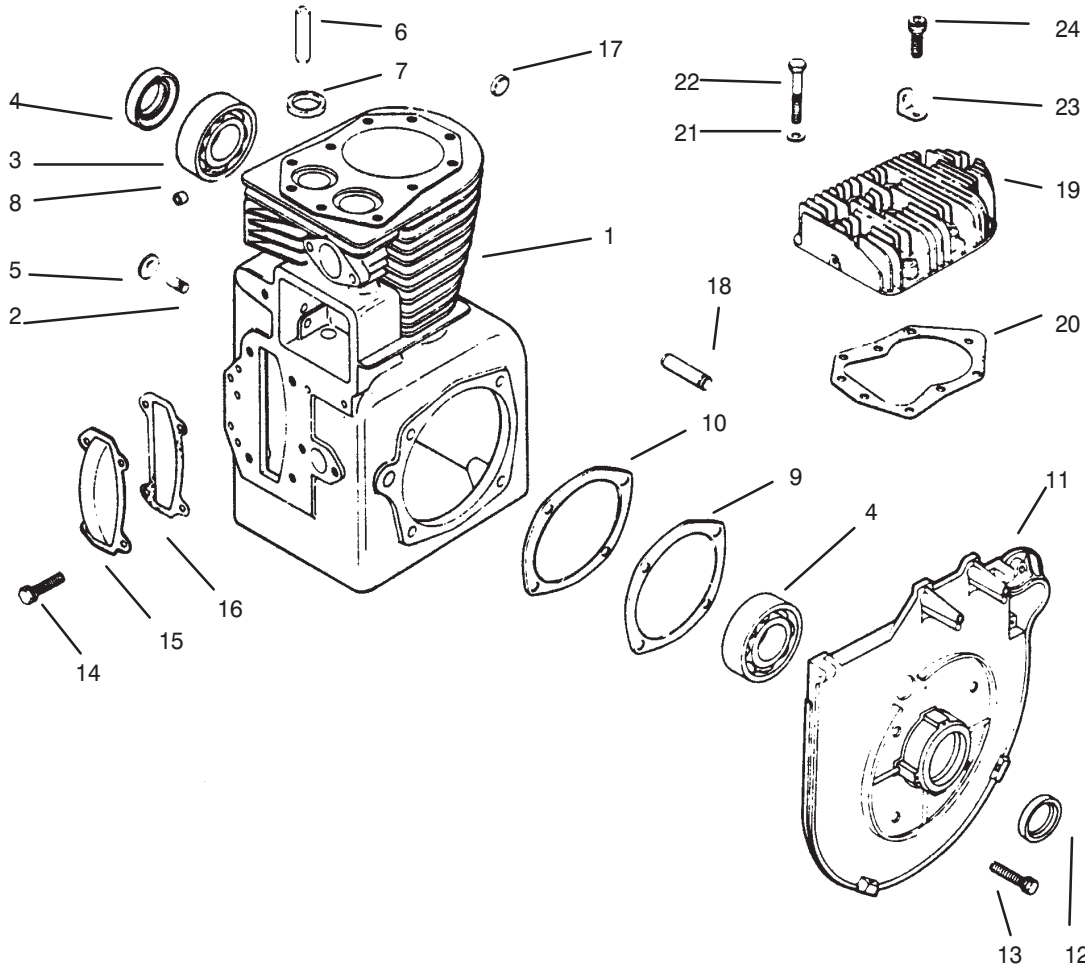
Obtain parts from Kohler



Ignition System Kohler Model MS14S-TS601559

Ref. No.	Part No.	Qty.	Description		Ref. No.	Part No.	Qty.	Description
1	47-584-02	1	Module-Ignition					
2	X-25-79	2	Washer					
3	X-156-1	2	Screw					
4	X-67-59	1	Screw-Hex Hd					
5	X-728-1	1	Clip-Kill Lead					
6	X-67-83	1	Screw					
7	X-25-72	1	Washer					
8	255173	1	Clip					
9	237878	1	Kit-Starter 15amp INCL 8					
10	X-67-51	4	Screw					
11	48-155-01	1	Connector					
12	8830	1	Retainer-"j"					
13	321-2	1	Screw-HH					
14	25-755-03	2	Regulator-Rectifier					
14	41-403-05	2	Regulator-Rectifier					
15	X-132-4	2	Screw					
15	X-132-5	2	Screw					
16	236602	1	Connector-Regulator					
17	235041-2	1	Plug-Spark					
18	210281	1	Clip-Hi Tension					
	47-518-36	1	Lead-Regulator					
	47-518-43	1	Lead Wire					

Obtain parts from Kohler



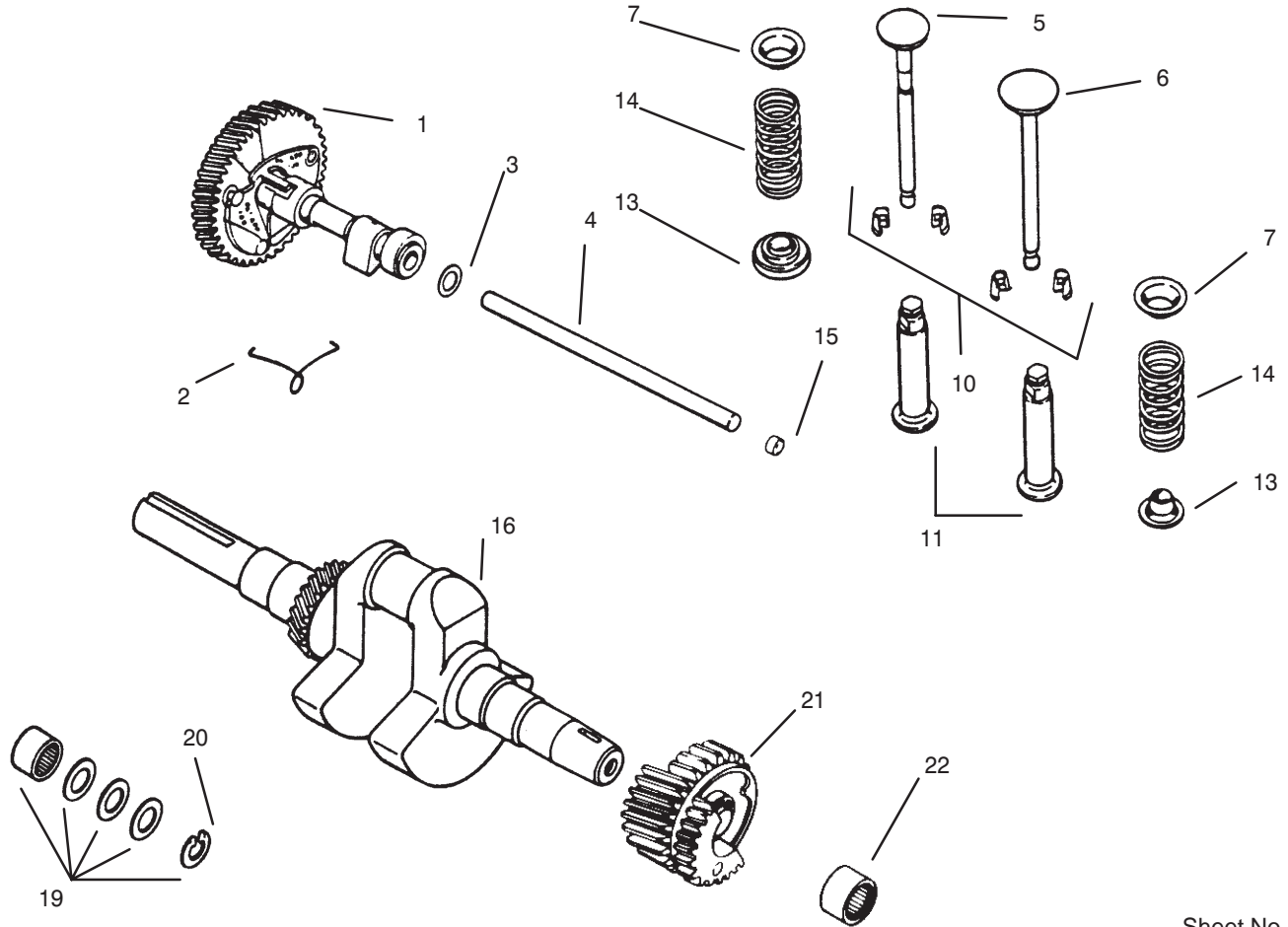
Sheet No.: 309

Crankcase & Cyl. Head Kohler Model MS14S-TS601559

Ref. No.	Part No.	Qty.	Description
1	47-782-67	1	Short Block 14hp
*	47-782-80	1	Miniblock W/Out Crank
2	235125-S	1	Shaft-Governor Gear 14hp
3	235376	2	Ball Bearing
4	47-032-07	1	Seal
5	X-230-11	1	Plug
6	235007-S	2	Guide-Valve 14hp
7	230265	1	Insert-Exh Valve 14hp
8	234866	1	Bearing
9	47-041-09	1	Gasket
10	47-522-05	1	Gasket
11	47-146-11	1	Plate-Bearing
12	47-032-06	1	Seal
13	X-159-2	4	Screw
14	X-132-6	4	Screw
15	235026	1	Cover
16	235025	1	Gasket
18	236559	1	Shaft-Balance Gear
19	47-015-06	1	Head-Cylinder
20	47-041-15	1	Gasket
21	270889	9	Washer
22	270158	8	Screw
23	47-455-02	1	Strap-Lifting
24	47-086-17	1	Screw

Ref. No.	Part No.	Qty.	Description
	47-004-02	1	Set-Gasket W/o Seals
	47-755-27	1	Set-Gasket W/ Seals

* Not Illustrated Obtain parts from Kohler



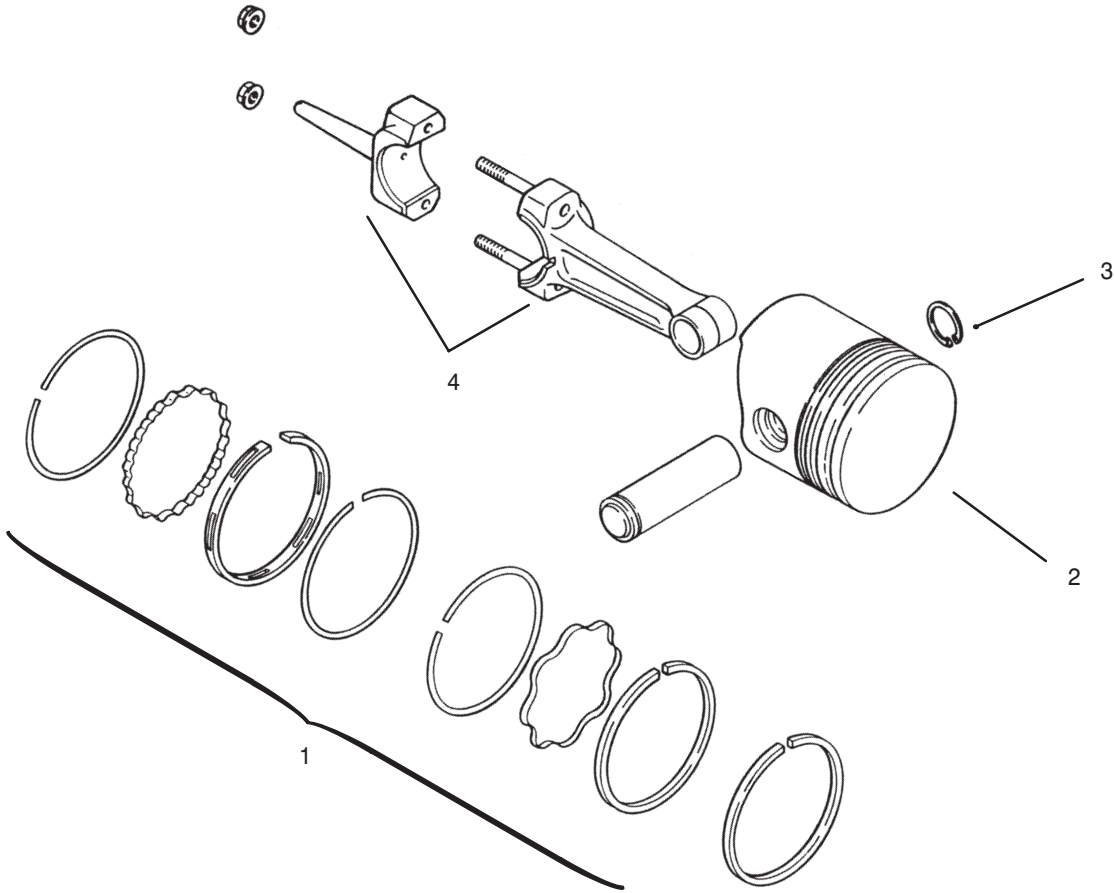
Sheet No.: 310

Camshaft & Crankshaft Kohler Model MS14S-TS601559

Ref. No.	Part No.	Qty.	Description
1	47-010-11	1	Camshaft ASM INCL 2
2	47-089-01	1	Spring
3	275066	1	Spacer .005
4	47-380-09	1	Pin-Camshaft
5	237672	1	Valve-Exhaust
6	235582	1	Valve-Intake
7	235011	2	Retainer-Spring
8	235010	1	Spring
10	41-755-10	2	Kit-Retainer
12	D-235327	2	Tappet-Valve
13	52-413-01	2	Rotator-Valve
14	235168	1	Spring
15	X-702-3	1	Plug-Cup
16	45-142-21	1	Kit-Crankshaft
19	47-755-01	2	Kit-Spacer
20	X-269-34	1	Retainer
	275067	1	Spacer .010

Ref. No.	Part No.	Qty.	Description

Obtain parts from Kohler



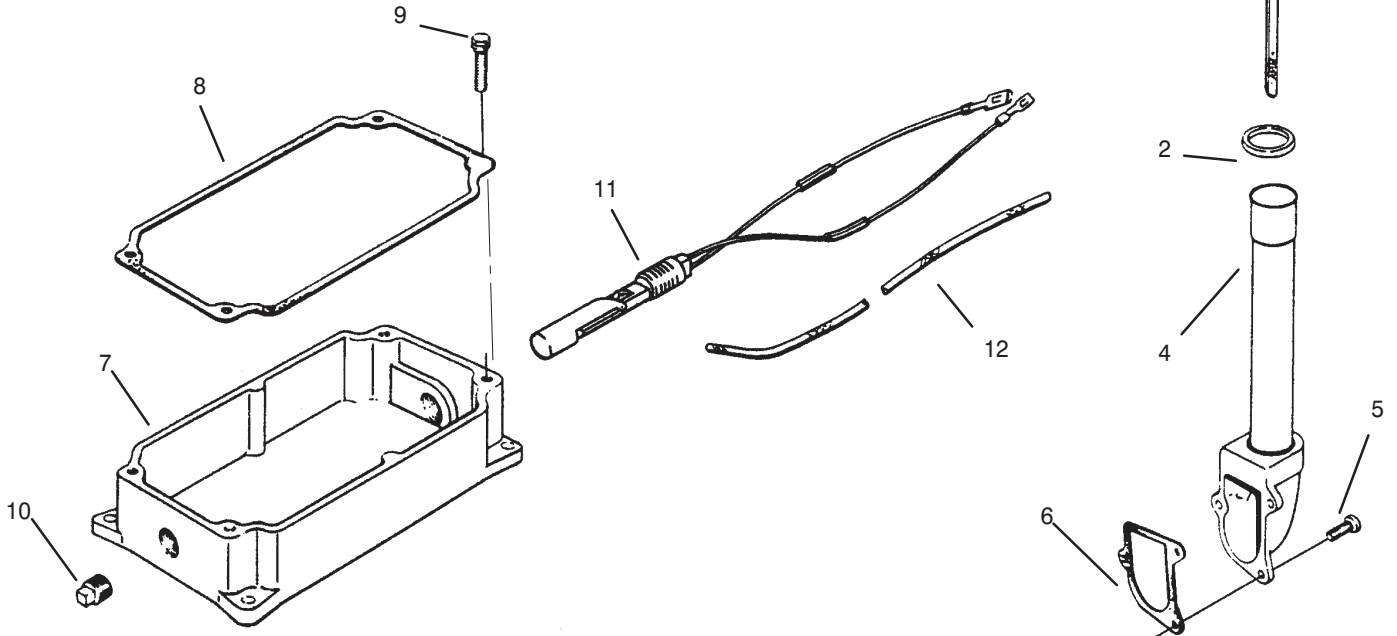
Sheet No.: 311

Piston And Rings Kohler Model MS14S-TS601559

Ref. No.	Part No.	Qty.	Description
1	47-108-05	1	Set-Ring STD .003 14hp
*	47-108-06	1	Set-Ring .010
*	47-108-07	1	Set-Ring .020
*	47-108-08	1	Set-Ring .030
2	47-874-21	1	Piston-Ring Set STD 14hp
*	47-874-22	1	Piston-Ring Set .003
*	47-874-23	1	Piston-Ring Set .010
*	47-874-24	1	Piston-Ring Set .020
*	47-874-25	1	Piston-Ring Set .030
*	47-018-01	2	Retainer-Piston Pin
4	45-067-24	1	Rod-Connecting STD
*	25-468-04	1	Rod-Connecting.010

Ref. No.	Part No.	Qty.	Description

* Not Illustrated Obtain parts from Kohler



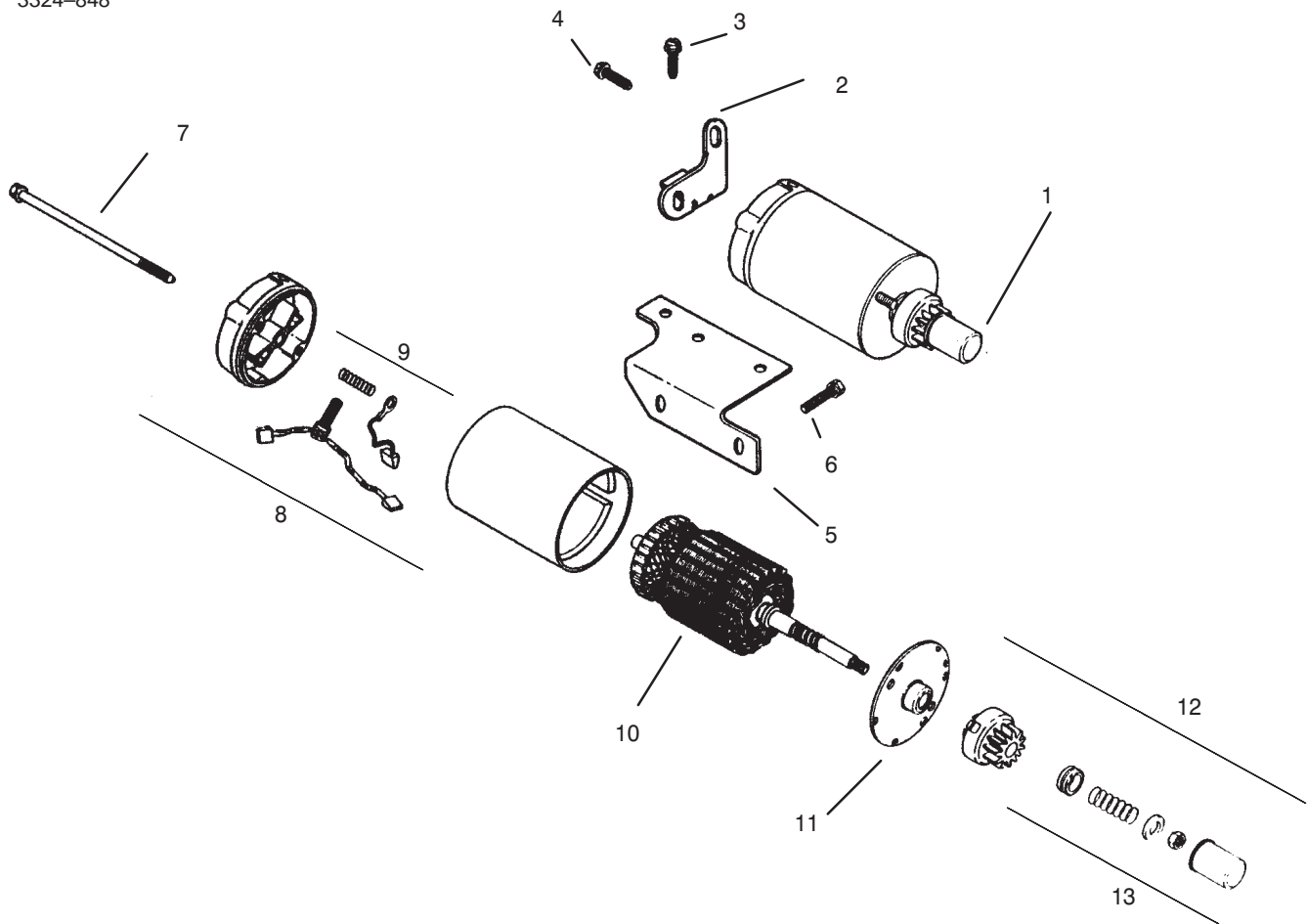
Sheet No.: 312

Oil Pan And Dipstick Kohler Model MS14S-TS601559

Ref. No.	Part No.	Qty.	Description
1	47-038-27	1	Dipstick
2	41-153-01	1	O-Ring
4	47-029-06	1	Adapter-Oil Fill
5	X-131-2	3	Screw
6	237064	1	Gasket
7	45-199-05	1	Pan-Oil
8	235057	1	Gasket
9	X-159-3	4	Screw
10	X-75-10	4	Plug-SH 3/8 NPTF
11	25-704-04	1	Kit-Float Switch
12	25-431-02	1	Sleeve
*	25-113-05	1	Decal-Float Switch
*	48-155-01	1	Connector

Ref. No.	Part No.	Qty.	Description

* Not Illustrated Obtain parts from Kohler



Sheet No.: 313

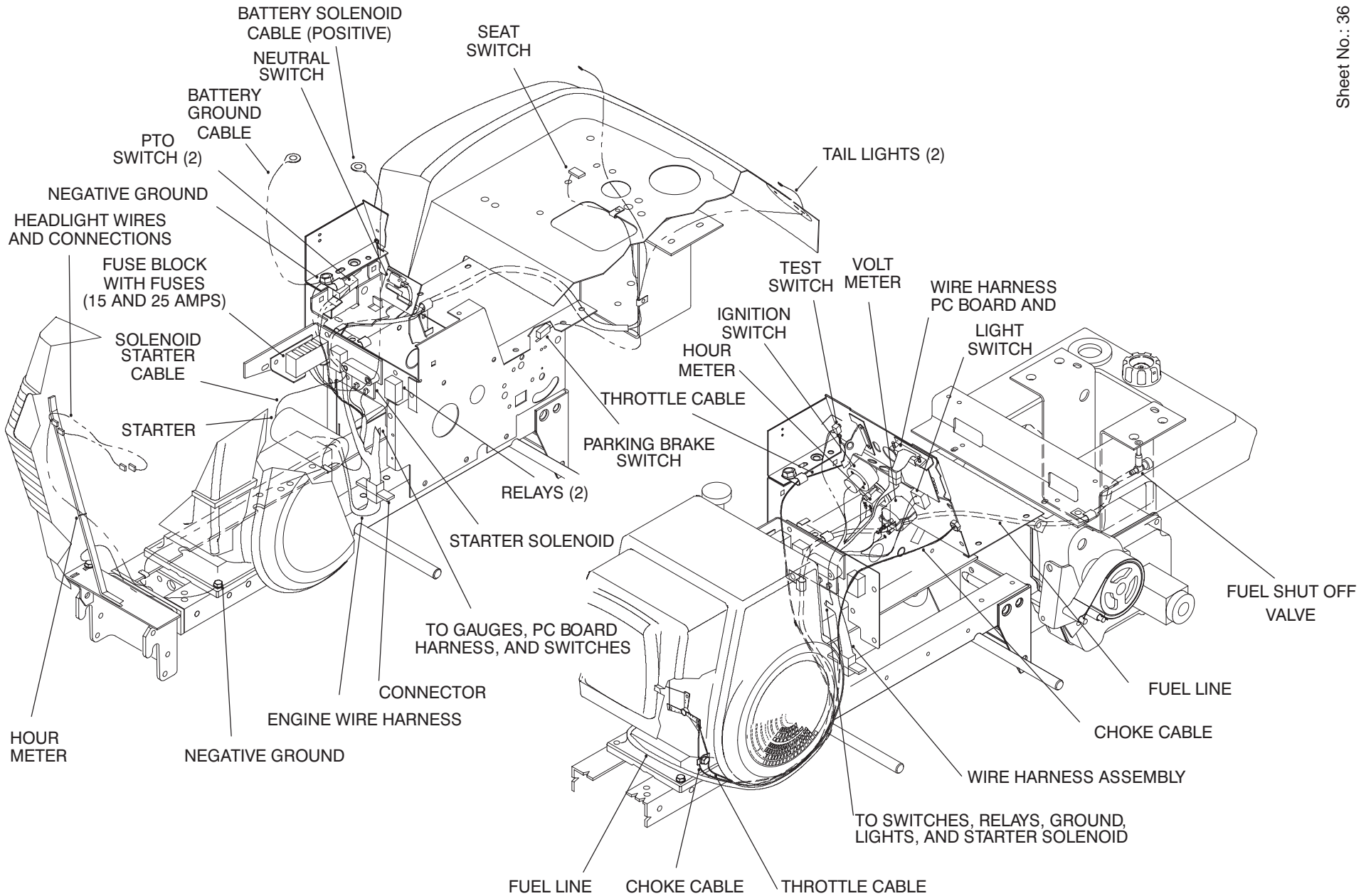
Starter Kohler Model MS14S-TS601559

Ref. No.	Part No.	Qty.	Description
1	41-098-04	1	Starter ASM INCL 9-15
2	45-126-17	1	Brace-Starter Tail
3	X-67-62	1	Screw-Hex Hd
4	X-67-83	1	Screw
5	47-126-29	1	Bracket-Solenoid
6	X-159-2	2	Screw
7	41-086-19	2	Bolt
8	41-227-04	1	End Cap ASM-INCL 9
9	52-755-15	1	Kit-Brush
10	47-170-02	1	Armature
11	41-227-03	1	Cap-Drive End
12	47-755-07	1	Kit-Drive INCL 15
13	7-755-13	1	Kit-Drive Parts INCL
	47-126-29	1	Bracket-Solenoid
	X-159-2	1	Screw

Ref. No.	Part No.	Qty.	Description

Obtain parts from Kohler

314-H Wire Harness



**314-H WIRE HARNESS, CABLE, AND TUBE ROUTING
SINGLE CYLINDER**

314-H Wire Harness

