



Z287L

Z-Master[®] with 62" Side Discharge Mower

Model No. 74213-21000001 and Up

Parts Catalog

Ordering Replacement Parts

To order replacement parts, please supply: the part number, the quantity, and the description of each part desired.

Understanding Reference Numbers

Each identified part in an illustration has a reference number. The reference number for a part also appears in the parts list, along with other information about the part.

This catalog uses two special reference number formats, one to indicate parts in a service assembly and another to indicate the quantity of a given part in an illustration.

Service Assembly Reference Numbers

Parts in service assemblies have reference numbers in the form **a:b**. The **a** represents the reference number of the entire service assembly and the **b** represents a sequential number unique to each part within the service assembly.

For example, a wheel assembly might be identified by reference number **6**, the tire by **6:1**, the valve by **6:2**, and the wheel by **6:3**. When you order the assembly identified by reference number **6**, you receive all parts identified by reference numbers **6:1**, **6:2**, and **6:3**. However, you may also order any part individually.

Reference numbers of this type appear in illustrations and in part lists.

Reference Numbers Indicating Quantity

In an illustration, if a reference number indicates more than one part, the reference number has the form **nX y**. The **n** represents the quantity of the part, the **X** is the multiplication symbol, and the **y** represents the reference number.

For example, in an illustration, the reference number **2X 37** means that two of the parts identified by reference number **37** are indicated.

Contents

Description	Page	Description	Page
Front Frame Assembly	3	Piston/Crankshaft (Kawasaki FD750D-AS03)	24
Caster and Wheel Assembly	4	Valve/Camshaft (Kawasaki FD750D-AS03)	25
Rear Frame and Wheel Assembly	5	Lubrication Equipment (Kawasaki FD750D-AS03)	26
Brake and Wheel Hub Assembly	7	Cooling Equipment (Kawasaki FD750D-AS03)	27
Control Panel Assembly	8	Electric Equipment (Kawasaki FD750D-AS03)	28
Hydraulic System Assembly	9	Control Equipment (Kawasaki FD750D-AS03)	29
Idler Assembly	11	Carburetor (Kawasaki FD750D-AS03)	30
Frame and Deck Assembly	12	Air-Filter/Muffler (Kawasaki FD750D-AS03)	31
Tank and Fuel Lines Assembly	13	Fuel-Tank/Fuel-Valve (Kawasaki FD750D-AS03)	32
Engine Assembly	14	Starter (Kawasaki FD750D-AS03)	33
Rear Hood Assembly	16		
Rear Bumper Assembly	17		
Deck, Deflector and Roller Assembly	18		
Spindle and Pulley Assembly	19		
Belts and Idler Arm Assembly	20		
Stand Assembly	21		
Electrical Assembly	22		
Cylinder/Crankcase (Kawasaki FD750D-AS03)	23		

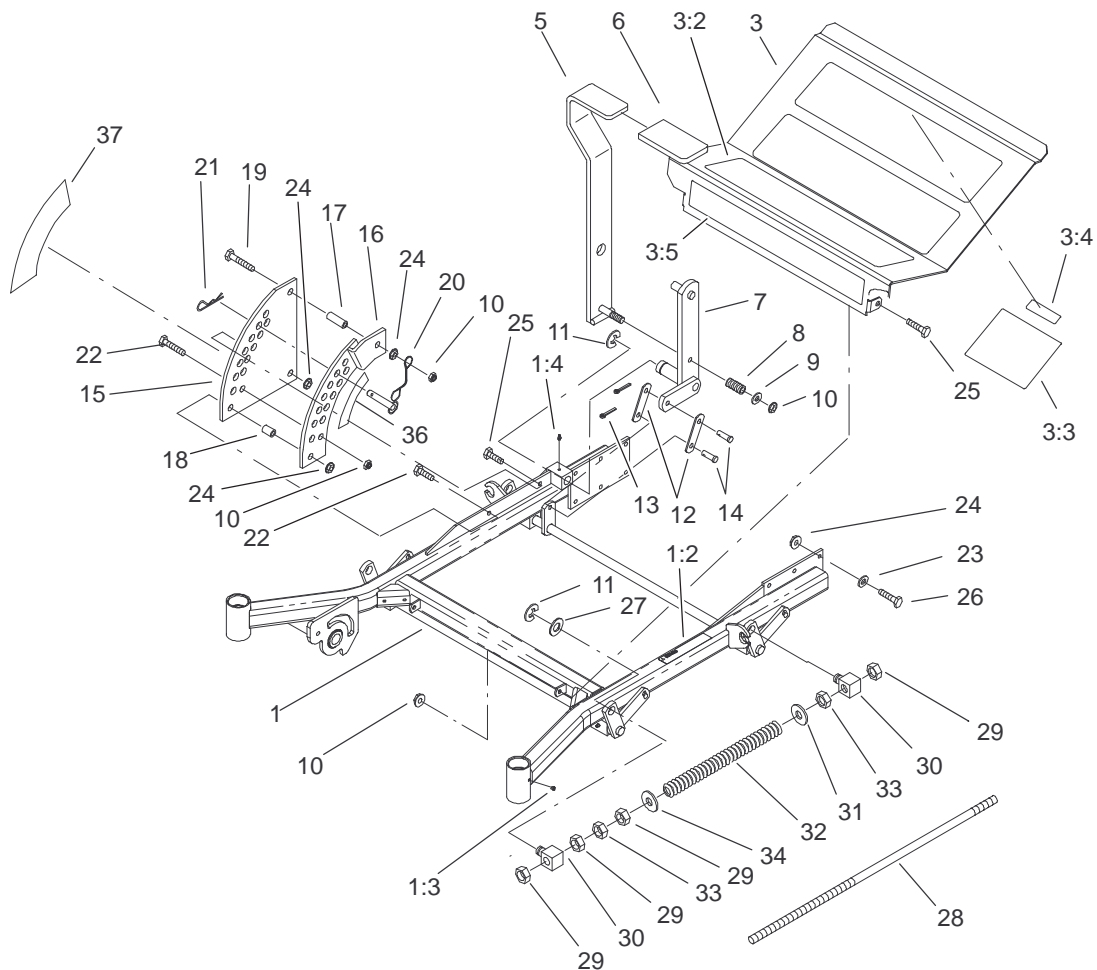
Accessories

Description	Model / Part No.	Description	Model / Part No.
Roll-Over Protection System	78480	Atomic Blade Assembly	104-1303
Hitch Kit	99-8925	62"/72" Stripping Kit	30163

Part Description Abbreviations

Part descriptions in this catalog may include the following abbreviations.

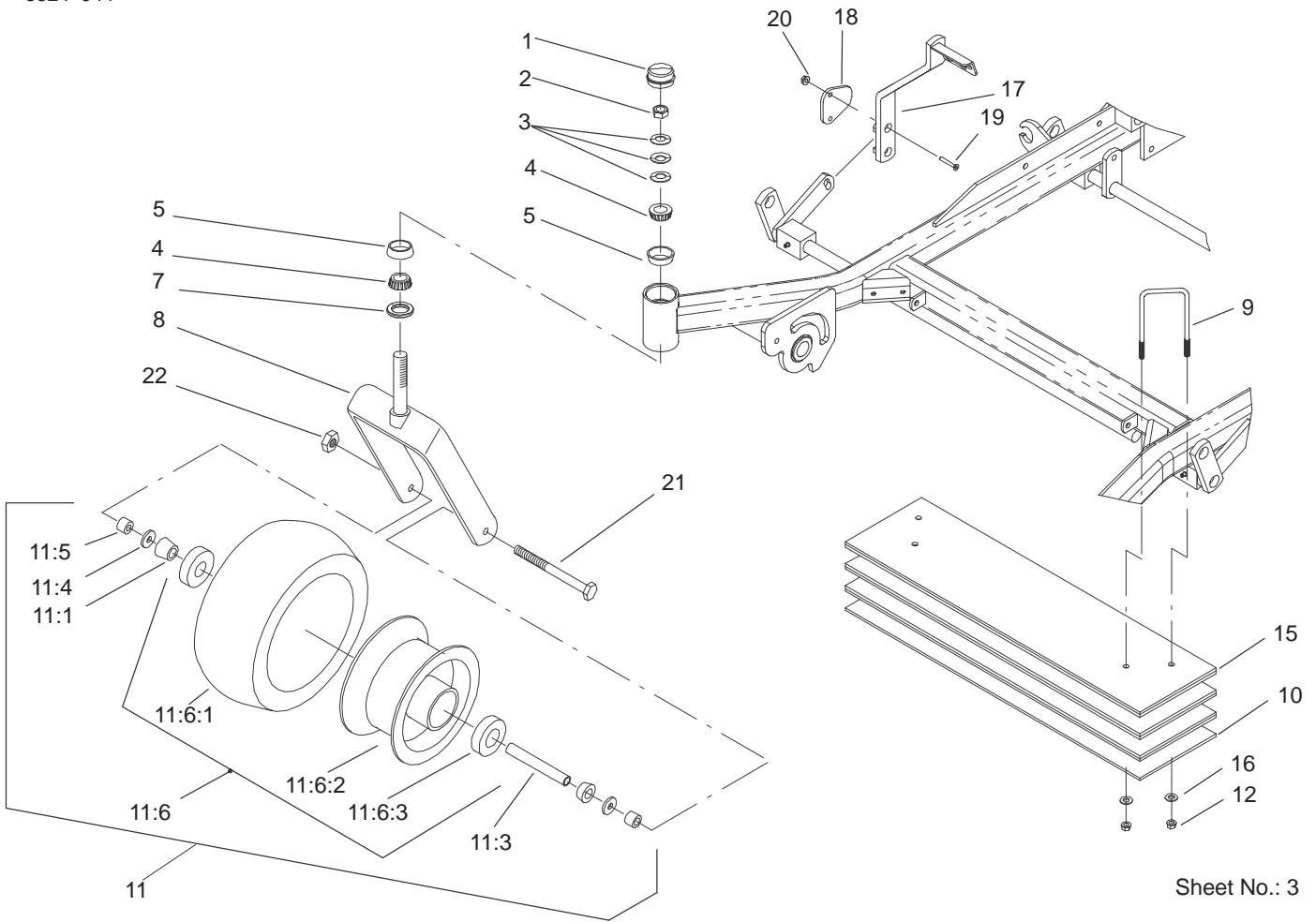
Abbreviation	Meaning	Abbreviation	Meaning
AR	as required	INC	incorporated
ASM	assembly	LH	left hand
CARR	carriage	NI	nylon insert
DEG	degrees	PPH	Phillips pan head
FH	flat head	PTH	Phillips truss head
GA	gauge	PTO	power take off
HF	hex flange	RH	right hand
HH	hex head	SFH	slotted fillister head
HHF	hex head flange	SHH	slotted hex head
HLH	hex lag head	SQH	square head
HJ	hex jam	SHWH	slotted hex washer head
HOC	height-of-cut	SPH	slotted pan head
HS	hex socket	SRH	slotted round head
HSBH	hex socket button head	STD	standard
HSFH	hex socket flat head	TAP	self tapping
HSH	hex socket head	TTH	Torx truss head
HWH	hex washer head	WH	wing head
HWHTF	hex washer head thread forming		



Sheet No.: 2

Front Frame Assembly

Ref. No.	Part No.	Qty.	Description	Ref. No.	Part No.	Qty.	Description
1	104-5132	1	Frame ASM	22	323-9	2	Screw-HH
1:2	1-633818	1	Decal-Warning	23	98-5975	12	Washer-Belleville
1:3	1-811010	2	Plug	24	3290-357	15	Nut-Flange, Lock
1:4	302-19	5	Fitting-Grease	25	323-6	3	Screw-HH
3	100-6509	1	Floorpan ASM	26	323-7	12	Screw-HH
3:2	1-633553	3	Pad-Antiskid	27	3256-29	4	Washer-Flat
3:3	1-633766	1	Decal-Check	28	1-633096	2	Rod-Lift, Deck
3:4	98-5954	1	Decal-Missing, Cover	29	3217-11	8	Nut-Hex
3:5	1-633737	1	Decal-Z-Master	30	1-633441	4	Swivel-Deck Mount, Rear
5	1-632324-03	1	Lever-Lift	31	3256-7	2	Washer-Flat
6	1-633295	1	Grip-Lever, Lift	32	1-633064	2	Spring-Support, Deck
7	1-632219-03	1	Arm-Lift, Deck	33	3218-6	4	Nut-Jam
8	1-633325	1	Spring-Compression	34	3256-7	2	Washer-Flat
9	3256-24	1	Washer-Flat	36	1-633706	1	Decal-Height, Deck
10	3296-39	5	Nut-Lock, NI	37	1-633345	1	Decal-Height, Deck
11	32151-103	5	Ring-Snap				
12	1-633068	2	Arm-Lift, Deck				
13	3272-10	2	Pin-Cotter				
14	283-2	2	Pin-Clevis				
15	1-633889-01	1	Plate-Lift, Deck				
16	1-632899-01	1	Plate-Lift, Deck				
17	1-633082	1	Bushing-Lever, Lift				
18	1-633080	1	Bushing-Lever, Lift				
19	323-13	1	Screw-HH				
20	1-633097	1	Pin-Hitch w/Lanyard				
21	1-806005	1	Pin-Hair				



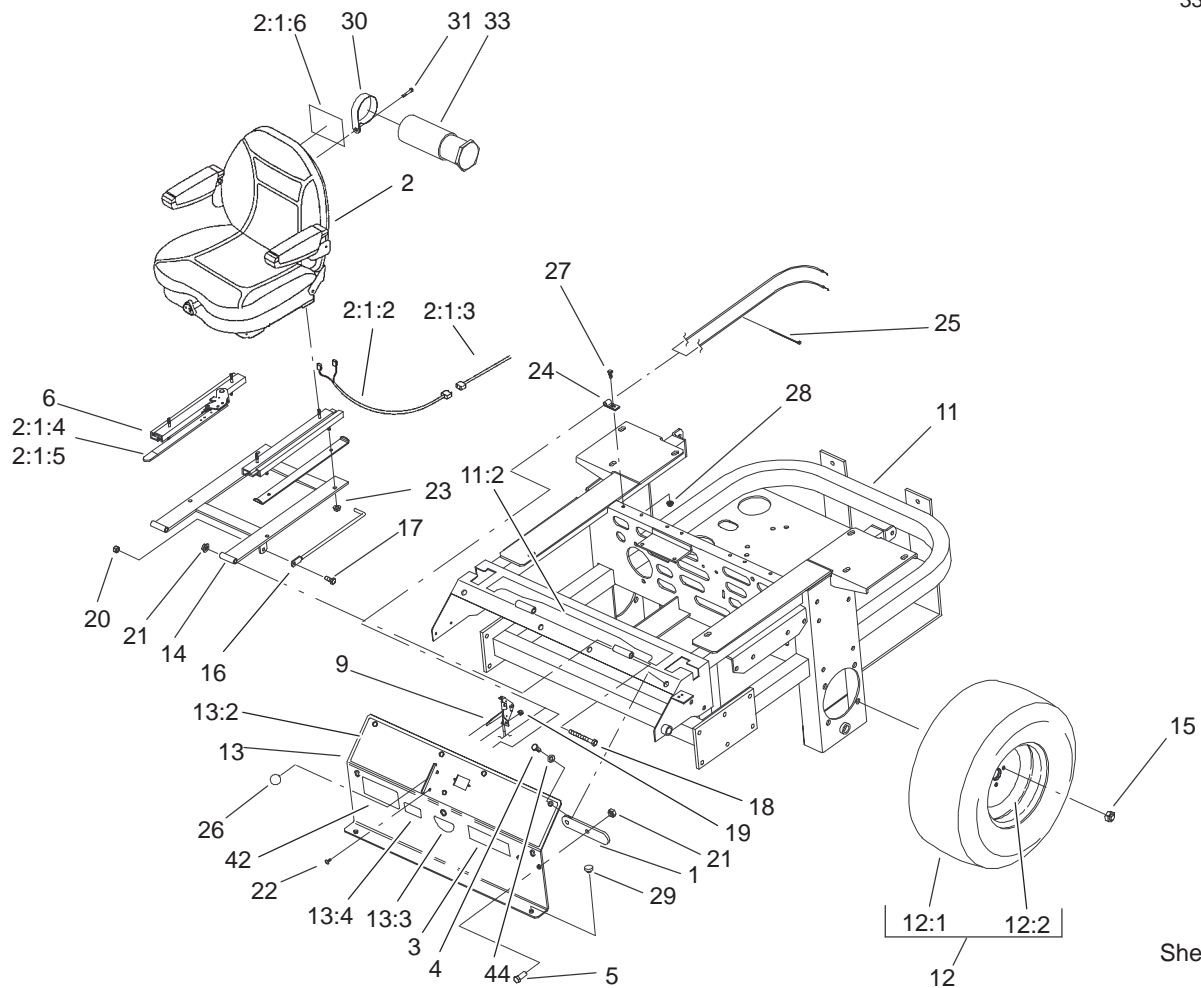
Sheet No.: 3

Caster and Wheel Assembly

Ref. No.	Part No.	Qty.	Description
1	1-543513	2	Cap-Grease
2	3296-51	2	Nut-Lock, NI
3	1-633508	6	Washer-Bellville
4	254-94	4	Bearing-Taper/Cone
5	254-72	4	Bearing-Taper/Cup
7	1-543511	2	Seal-Grease
8	1-642111-01	2	Caster
9	100-2339	2	U-Bolt
10	100-2333-01	1	Bar - Weight
11	1-644251	2	Caster Wheel ASM
11:1	1-633585	2	Bearing-Cone, Tapered
11:3	1-633959	1	Spacer-Caster, Front
11:4	1-633580	2	Seal-Bearing
11:5	1-633581	2	Spacer-Bearing
11:6		1	Wheel & Tire ASM
11:6:1	1-523009	1	Tire
11:6:2	1-633987	1	Wheel
11:6:3	1-633584	2	Bearing-Cup
12	3296-39	4	Nut-Lock, NI
15	99-4646-01	3	Weight Bar ASM
16	3256-4	4	Washer-Flat
17	100-4333-01	1	Lever-Lift, Deck
18	1-643220-01	1	Strap
19	3289-7	2	Screw
20	32128-20	2	Nut-HF

Ref. No.	Part No.	Qty.	Description
21	325-24	2	Screw-HH
22	3296-45	2	Nut-Lock, NI

PROTOTYPE



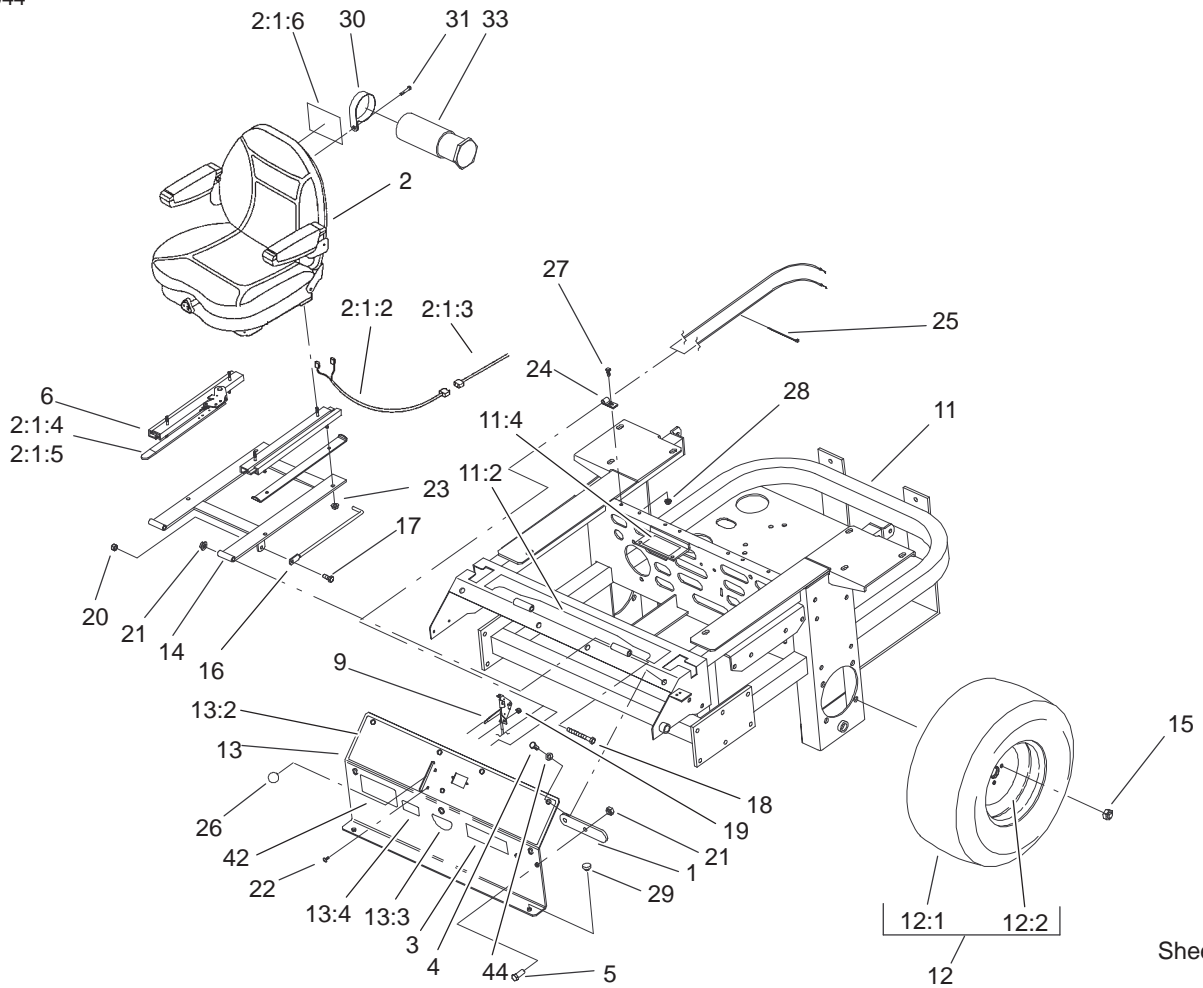
Sheet No.: 4

Rear Frame and Wheel Assembly

Ref. No.	Part No.	Qty.	Description
1	1-633964-03	1	Stop-Brake, Park
2	74210	1	Seat-Suspension, High
☆2:1		1	Kit-Suspension, Seat
2:1:2	1-633840	1	Harness-Wiring, Seat
2:1:3	1-303335	1	Tie-Plastic
2:1:4	1-633872-03	2	Stop-Seat
2:1:5	1-653282-03	2	Stop/Spacer-Seat
2:1:6	99-4693	1	Decal-Toro
*2:99	1-631842	1	Kit-Pad, Armrest
*2:99	1-631843	1	Kit-Boot
*2:99	1-631844	1	Arm Kit-ASM
*2:99	1-631845	1	Pan ASM
*2:99	1-631846	1	Kit-Damper
*2:99	1-631847	1	Kit-Roller
*2:99	1-631848	1	Kit-Spring & Cable
*2:99	1-631849	1	Kit-Knob & Shaft
*2:99	1-643281	1	Switch-Seat
4	322-3	6	Screw-HH
5	323-6	2	Screw-HH
6	1-643255	1	Track-Seat, 4"
9	1-633696	1	Cable-Throttle
10	1-603336	1	Control-Choke
11	100-4261	1	Rear Frame ASM
11:2	103-0245	1	Decal-Console, Top
12	1-633970	2	Wheel & Tire ASM

Ref. No.	Part No.	Qty.	Description
12:1	1-633993	1	Tire
12:2	1-633992	1	Wheel
13	99-4623	1	Console ASM
13:2	100-4311	1	Decal-Panel, Control
13:3	103-0262	1	Decal-Valve, Fuel
13:4	98-4387	1	Decal-Protection, Ear
14	1-632187-03	1	Frame - Seat
15	242-50	8	Nut - Lug
16	1-633293	1	Rod-Holdup, Seat
17	322-5	1	Screw-HH
18	323-21	2	Screw-HH
19	3296-2	2	Nut-Lock
20	3296-29	1	Nut-Lock
21	3296-39	4	Nut-Lock, NI
22	1-807513	2	Bolt-CARR
23	32128-20	4	Nut-HF
24	1-513762	1	Clip-Loom
25	1-303335	1	Tie-Plastic
26	1-513592	1	Knob-Ball, Red
27	321-4	1	Screw-HH
28	32128-33	1	Nut-HF
29	1-513658	2	Bumper-Catcher, Grass
30	2412-133	2	R-Clamp
31	32144-70	2	Screw-HH
33	74-0720	1	Tube-Manual

☆ Not serviced
* Not illustrated

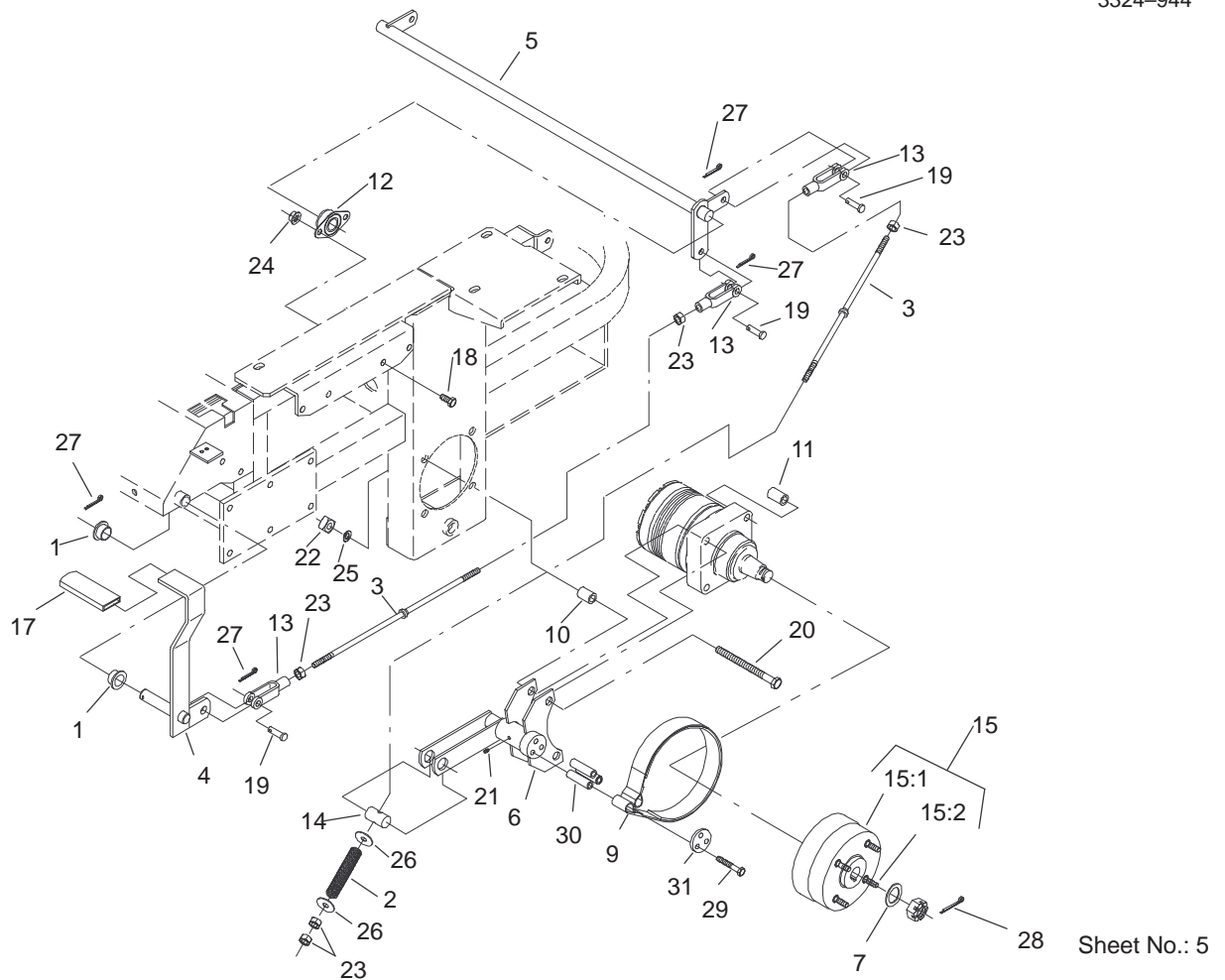


Sheet No.: 4

Rear Frame and Wheel Assembly

Ref. No.	Part No.	Qty.	Description
42	104-7787	1	Decal - Z287I
44	3256-23	6	Washer-Flat
47	1-633872-03	2	Stop-Seat

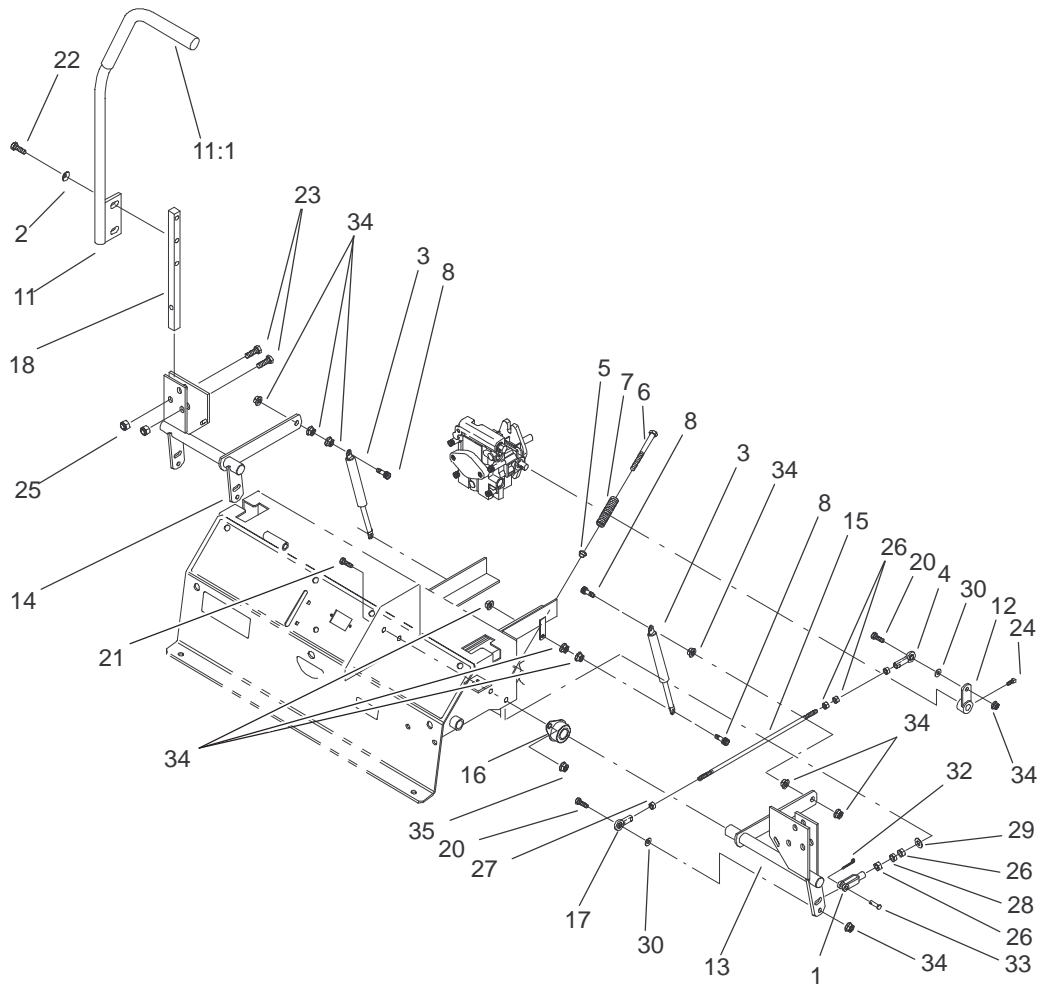
Ref. No.	Part No.	Qty.	Description
<p style="font-size: 48px; opacity: 0.5; font-weight: normal;">PROTOTYPE</p>			



Sheet No.: 5

Brake and Wheel Hub Assembly

Ref. No.	Part No.	Qty.	Description	Ref. No.	Part No.	Qty.	Description
1	1-513140	2	Bearing-Control	27	3272-10	7	Pin-Cotter
2	1-633454	2	Spring-Brake	28	1-806800	2	Pin-Cotter
3	1-633477	3	Rod-Brake	29	322-9	6	Screw-HH
4	1-634500	1	Brake Lever/Grip ASM	30	103-0384	6	Spacer
5	1-632217-03	1	Shaft-Brake	31	103-0374	2	Retainer-Band, Brake
6	103-0352-03	2	Bracket-Brake				
7	1-523157	2	Washer-Spacer				
9	103-0355	2	Band-Brake				
10	1-633380	4	Spacer-Wheel, Short				
11	1-633382	4	Spacer-Wheel, Long				
12	1-633102	2	Bearing-Flange, Side				
13	1-633131	4	Yoke-Linkage, Brake				
14	1-633144	2	Pin-Trunion				
15	103-0590	2	Hub-Wheel w/Studs				
15:1	103-0589	1	Hub-Wheel				
15:2	1-633926	4	Stud-Heel				
17	1-633268	1	Grip-Lever, Brake				
18	323-4	4	Screw-HH				
19	1-808285	4	Pin-Clevis				
20	325-17	8	Screw-HH				
21	1481	2	Fitting-Grease				
22	103-0131	8	Nut-Square				
23	3219-3	8	Nut-HH				
24	3290-357	4	Nut-Flange, Lock				
25	3253-7	8	Washer-Lock				
26	3256-4	4	Washer-Flat				



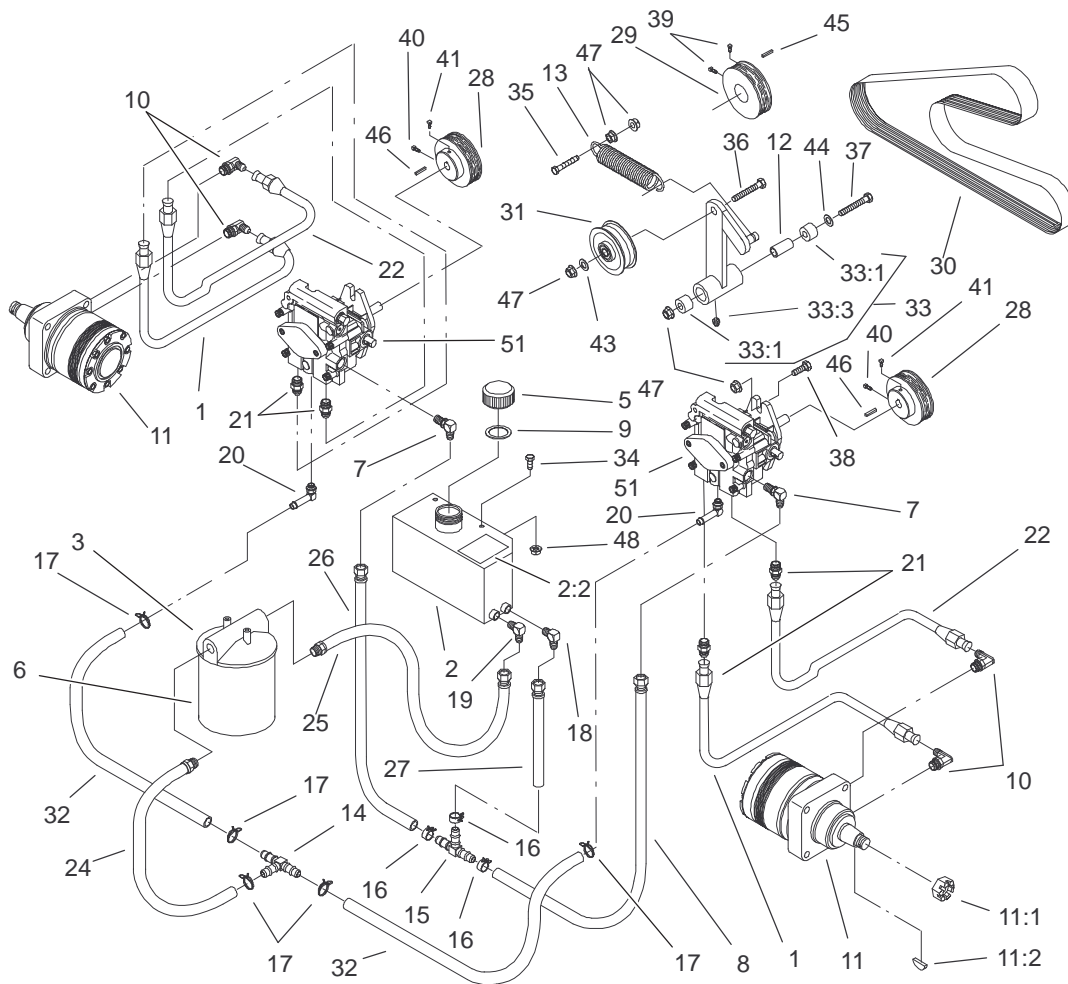
Sheet No.: 6

Control Panel Assembly

Ref. No.	Part No.	Qty.	Description
1	1-303105	2	Yoke-Adjustable
2	98-5975	4	Washer-Belleville
3	1-523027	2	Damper-Control
4	1-543017	2	Balljoint-RH
5	1-603735	2	Bushing-Flanged, Nylon
6	1-603737	2	Bolt-Return, Neutral
7	1-603807	2	Spring-Return, Neutral
8	1-403180	4	Screw-HH
11	103-0632	1	RH Lever/Grip ASM
11:1	1-633257	1	Grip-Control, Motion
12	1-632208-03	2	Arm-Control, Pump
13	1-642319	1	Control-Motion, LH
14	1-642320	1	Control-Motion, RH
15	1-633153	2	Linkage-Pump/Lever
16	1-633102	4	Bearing-Flange, Side
17	1-633152	2	Balljoint-Thread, LH
18	103-0407	2	Arm-Shaft, Control
20	322-6	4	Screw-HH
21	323-4	8	Screw-HH
22	323-6	4	Screw-HH
23	323-9	6	Screw-HH
24	1-803022	2	Screw
25	3296-39	6	Nut-Lock, NI
26	3219-2	10	Nut-Hex

Ref. No.	Part No.	Qty.	Description
27	3220-20	2	Nut-Jam
28	3220-2	2	Nut
29	3256-2	2	Washer-Flat
30	3256-3	4	Washer-Flat
32	3272-5	2	Pin-Cotter
33	1-808280	2	Pin-Clevis
34	32128-20	16	Nut-HF
35	3290-357	8	Nut-Flange, Lock
*37	103-0631	1	LH Lever/Grip ASM

* Not illustrated



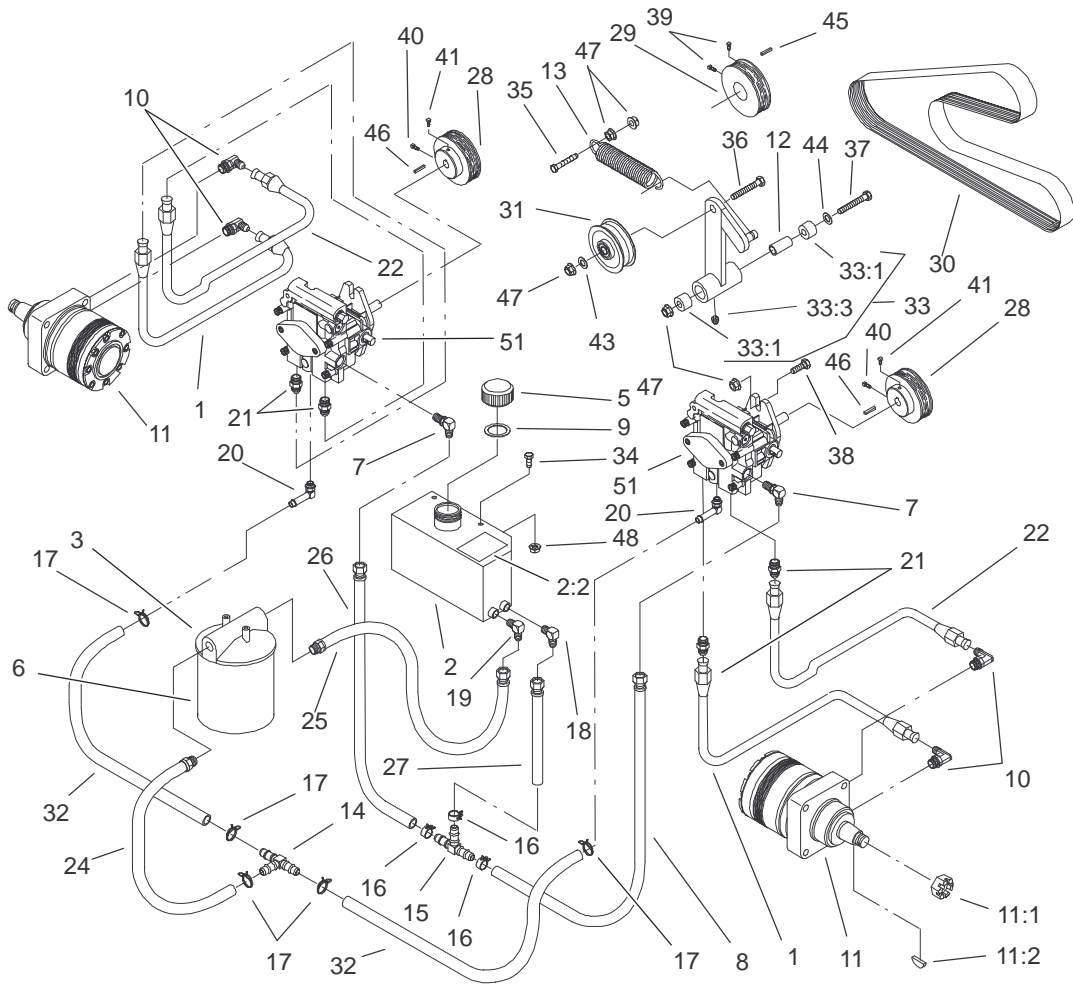
Sheet No.: 7

Hydraulic System Assembly

Ref. No.	Part No.	Qty.	Description
1	1-633774	2	Hose-Upper
2	99-4625	1	Hydraulic Tank ASM
2:2	1-523552	1	Decal-Tank, Hydraulic
3	1-513006	1	Filter-Head
5	1-513167	1	Cap-Reservoir, Hydraulic
6	1-633750	1	Filter-Hydraulic
6	1-633752	1	Filter-Winter, Hydraulic
7	1-513840	2	Fitting-90°
8	1-522217	1	Low Pressure Hose ASM
9	1-523103	1	Gasket-Cap, Tank
10	1-633786	4	Fitting-90°
11	1-523328	2	Motor-Wheel
11:1	1-809036	1	Nut-HH
11:2	1-807020	1	Key-Woodruff
*11:99	1-000099	1	Kit-Seal
*11:99	1-000139	1	Kit-Bearing
12	1-603384	1	Bushing-Pivot, Idler
13	1-603413	1	Spring-Extension
14	1-603721	1	Fitting-Tee, Hose
15	1-603722	1	Fitting-Tee, Hose
16	1-603826	3	Clamp-Hose
17	1-603827	5	Clamp-Hose
18	1-603987	1	Fitting-Elbow

Ref. No.	Part No.	Qty.	Description
19	1-603988	1	Fitting-Elbow
20	1-603989	2	Fitting-Elbow
21	1-603990	4	Fitting-Straight
22	1-633775	2	Hose-Lower
24	1-632281	1	Hose ASM
25	1-632282	1	Hose ASM
26	1-632285	1	Hose ASM
27	1-632286	1	Hose ASM
28	1-633568	2	Sheave
29	1-633567	1	Sheave
30	1-633749	1	Belt-Drive, Pump
31	1-633167	1	Sheave-Idler
32	1-633335	2	Hose-Pressure, Low
33	1-634277	1	Bearing Arm ASM
33:1	1-513034	2	Sleeve-Bearing
33:3	302-40	1	Fitting-Grease
34	321-4	2	Screw-HH
35	323-8	1	Screw-HH
36	323-9	1	Screw-HH
37	1-800805	1	Screw-HH
38	323-7	4	Screw-HH
39	1-803022	2	Screw
40	3242-6	2	Screw-Set, SQH
41	3242-4	2	Screw-Set, SQH
43	3256-3	1	Washer-Flat
44	3256-4	1	Washer-Flat

* Not illustrated



Sheet No.: 7

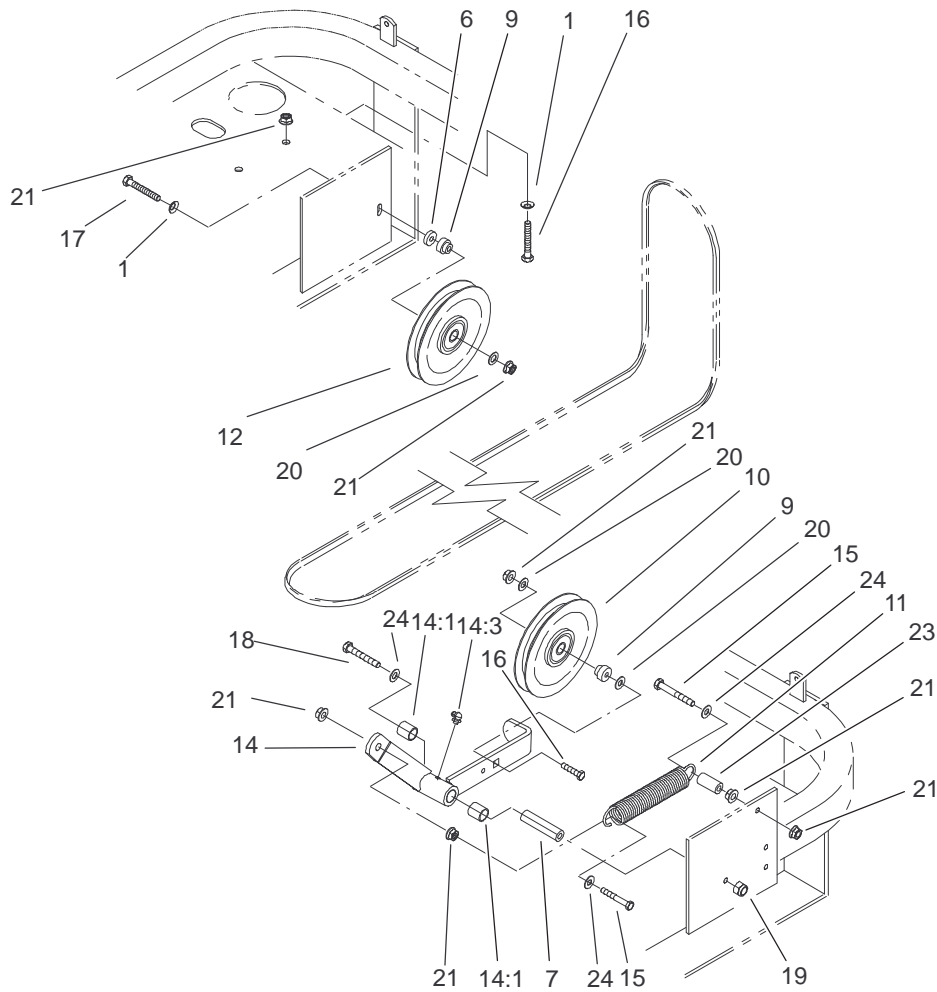
Hydraulic System Assembly (Continued)

Ref. No.	Part No.	Qty.	Description
45	13-2840	1	Key-Square
46	1-807272	2	Key-Machine
47	3290-357	8	Nut-Flange, Lock
48	32128-33	2	Nut-HF
51	1-603841	2	Pump-Hydraulic, RH
*51	80-6130	1	Kit-Seal, Overhaul

Ref. No.	Part No.	Qty.	Description

PROTOTYPE

* Not illustrated

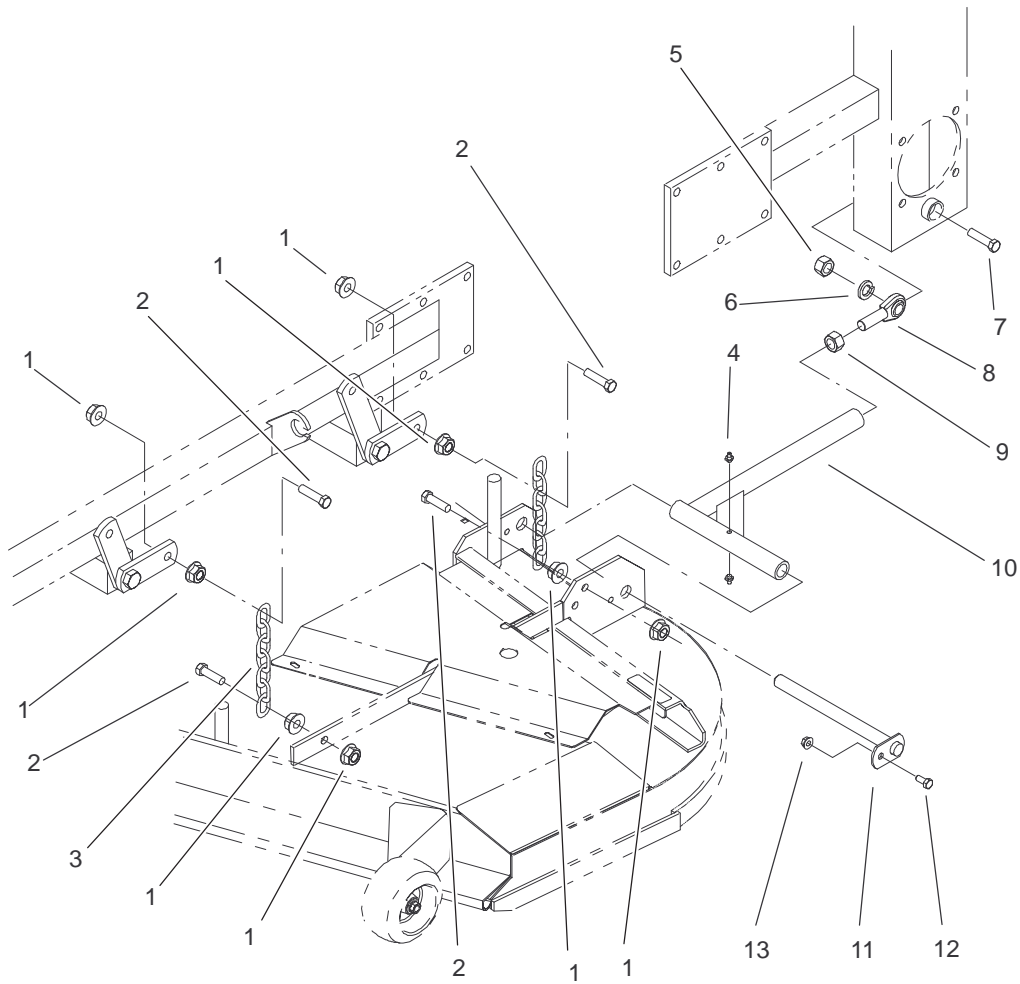


Sheet No.: 10

Idler Assembly

Ref. No.	Part No.	Qty.	Description	Ref. No.	Part No.	Qty.	Description
1	98-5975	1	Washer-Belleville				
6	1-603050	1	Spacer				
7	1-603384	1	Bushing-Pivot, Idler				
9	1-603496	2	Bushing-Idler				
10	99-4638	1	Idler				
11	1-603402	1	Spring-Extension				
12	1-633166	1	V-Belt-Idler				
14	99-4677	1	Idler Arm ASM				
14:1	1-513034	2	Sleeve-Bearing				
14:3	302-40	1	Fitting-Grease				
15	323-11	2	Screw-HH				
16	323-9	1	Screw-HH				
17	323-13	1	Screw-HH				
18	1-800805	1	Screw-HH				
19	3296-39	1	Nut-Lock, NI				
20	3256-24	3	Washer-Flat				
21	3290-357	6	Nut-Flange, Lock				
23	1-603401	1	Spacer-Fender				
24	3256-4	3	Washer-Flat				

PROTOTYPE

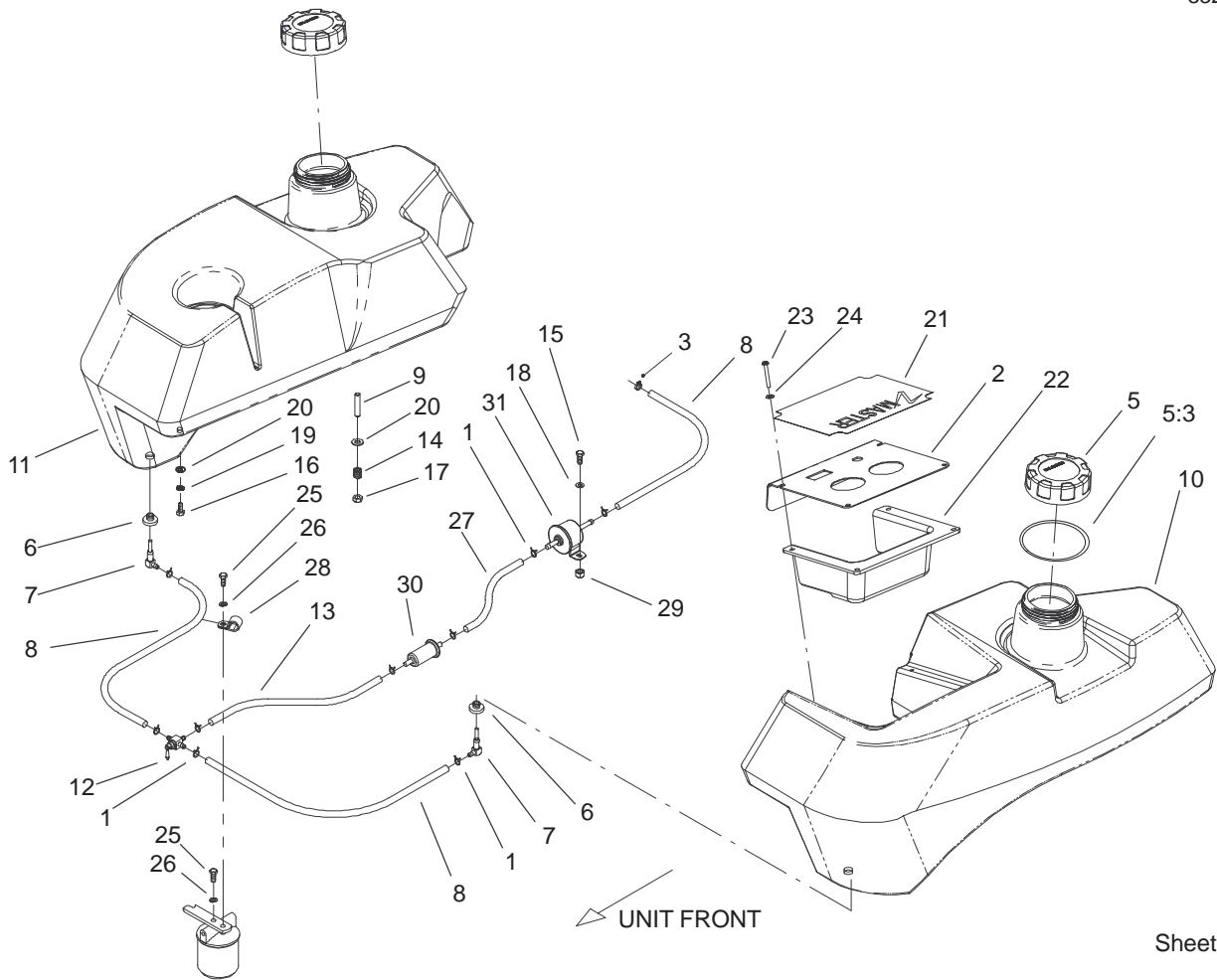


Sheet No.: 12

Frame and Deck Assembly

Ref. No.	Part No.	Qty.	Description
1	32128-37	16	Nut-HF
2	324-6	8	Screw-HH
3	1-633447	4	Chain-Lift, Deck
4	302-19	4	Fitting-Grease
5	3217-11	2	Nut-Hex
6	3253-8	2	Washer-Lock
7	327-11	2	Screw-HH
8	1-633029	2	Balljoint-Spherical
9	3219-6	2	Nut-Hex
10	103-1072-01	2	Strut-Deck
11	1-632199-01	2	Pin-Strut, Deck
12	322-3	2	Screw-HH
13	3296-29	2	Nut-Lock

Ref. No.	Part No.	Qty.	Description



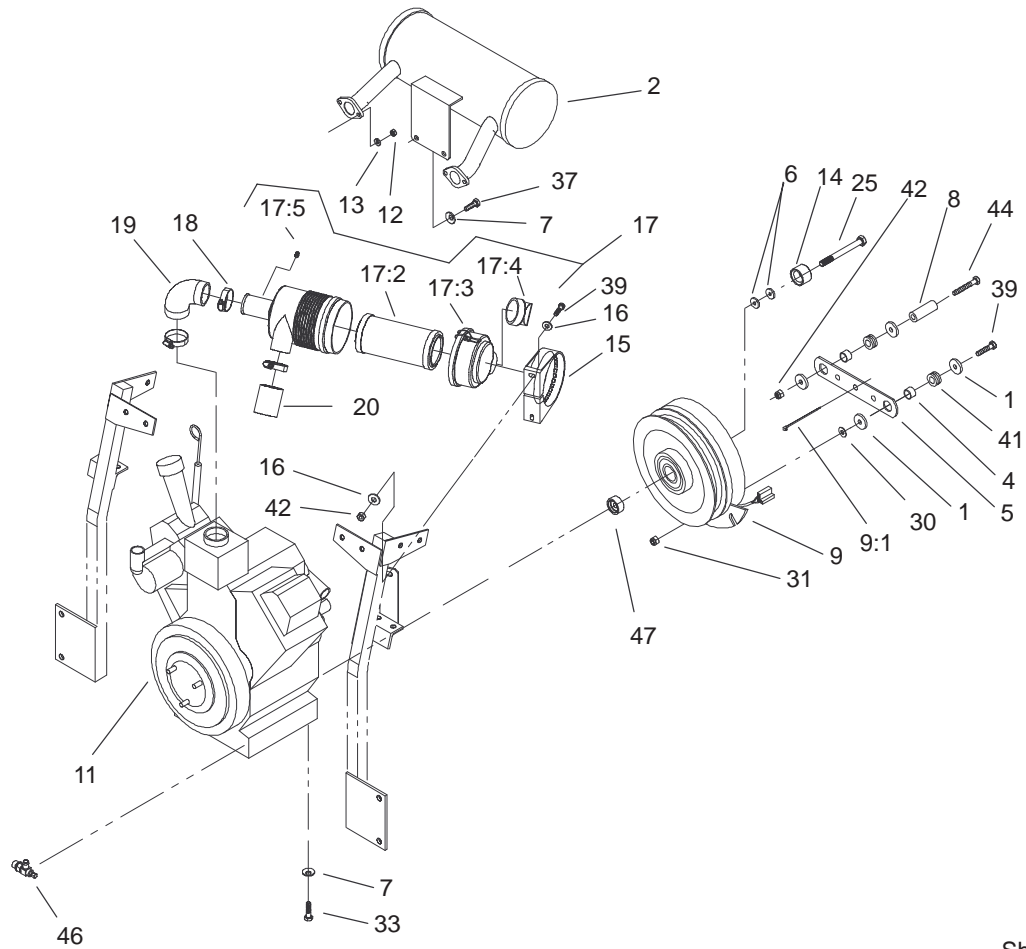
Sheet No.: 13

Tank and Fuel Lines Assembly

Ref. No.	Part No.	Qty.	Description
1	1-303077	9	Clamp-Line, Fuel
2	99-4617-03	1	Panel-Control
3	1-303308	1	Clamp-Hose
5	88-3980	2	Gas Cap ASM
5:3	88-4010	1	Gasket-Cap, Gas
6	1-513645	2	Bushing-Valve, Fuel
7	1-543277	2	Elbow-Tank, Fuel
8	1-543456	2	Hose-Fuel
9	1-633023	6	Stud
10	104-5100	1	Tank-Fuel, LH
11	104-5101	1	Tank-Fuel, RH
12	1-633347	1	Valve-Fuel
13	1-303426	1	Hose-Fuel Line
14	1-633349	6	Spring-Tank, Fuel
15	321-4	2	Screw-HH
16	322-3	2	Screw-HH
17	3296-47	6	Nut-Lock, NI
18	3256-2	2	Washer-Flat
19	3253-4	2	Washer-Lock
20	3256-23	8	Washer-Flat
21	99-4612	1	Decal-Control Panel
22	99-4940	1	Shield-Panel, Control
23	1-803071	4	Screw
24	1-303435	4	Washer-Spring
25	321-3	2	Screw-HH
26	3253-3	2	Washer-Lock

Ref. No.	Part No.	Qty.	Description
27	1-643270	1	Hose-Fuel
28	1-513762	1	Clip-Loom
29	32128-33	2	Nut-HF
‡30	49019-1055	1	Filter-Fuel, Kawasaki
‡31	49040-2065	1	Pump-Fuel, Kawasaki

‡ Obtain locally.



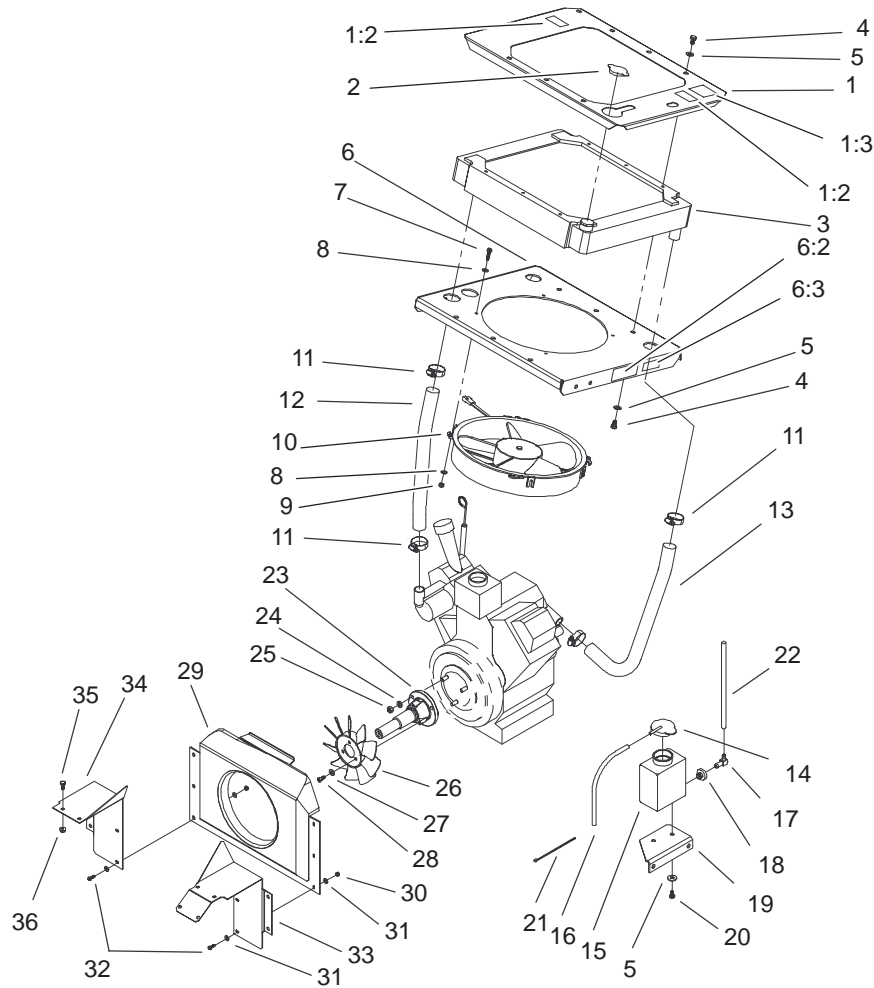
Sheet No.: 14

Engine Assembly

Ref. No.	Part No.	Qty.	Description
1	1-613235	4	Washer
2	103-0059	1	Muffler
4	1-633545	2	Spacer-Grommet
5	1-633543-03	1	Strap-Clutch, Brake
6	1-603610	2	Washer-Spring
7	1-303334	6	Washer-Spring
8	1-643008	1	Spacer-Anchor, Clutch
9	103-0665	1	Clutch ASM
9:1	1-303335	1	Tie-Plastic
☆11		1	Engine-Kawasaki, Fd750d-As03
12	33013-00	4	Nut-Hex
13	3253-3	4	Washer-Lock
14	103-0152	1	Keeper, Clutch
15	95-5806	1	Bracket-Mounting, Air Cleaner
16	3256-3	4	Washer-Flat
17	95-5805	1	Air Cleaner ASM
17:2	93-2195	1	Filter
17:3	94-3652	1	Cover ASM
17:4	94-1414	1	Valve-Vacuator
17:5	285-17	1	Plug-Pipe
18	1-643009	2	Clamp-Hose
19	103-0104	1	Hose, Air Cleaner/Carb
20	1-643084	1	Hose-Inlet, Air

Ref. No.	Part No.	Qty.	Description
25	48-7570	1	Screw - HH
30	3256-3	1	Washer-Flat
31	32128-20	1	Nut-HF
33	33115-025	4	Screw-HH
37	33115-020	2	Screw-HH
39	322-6	3	Screw-HH
41	1-633630	2	Grommet-Brake
42	3296-29	3	Nut-Lock
44	322-38	1	Screw-HH
46	103-0161	1	Valve, Oil Drain
47	103-0114	1	Spacer-Clutch

☆ Not serviced

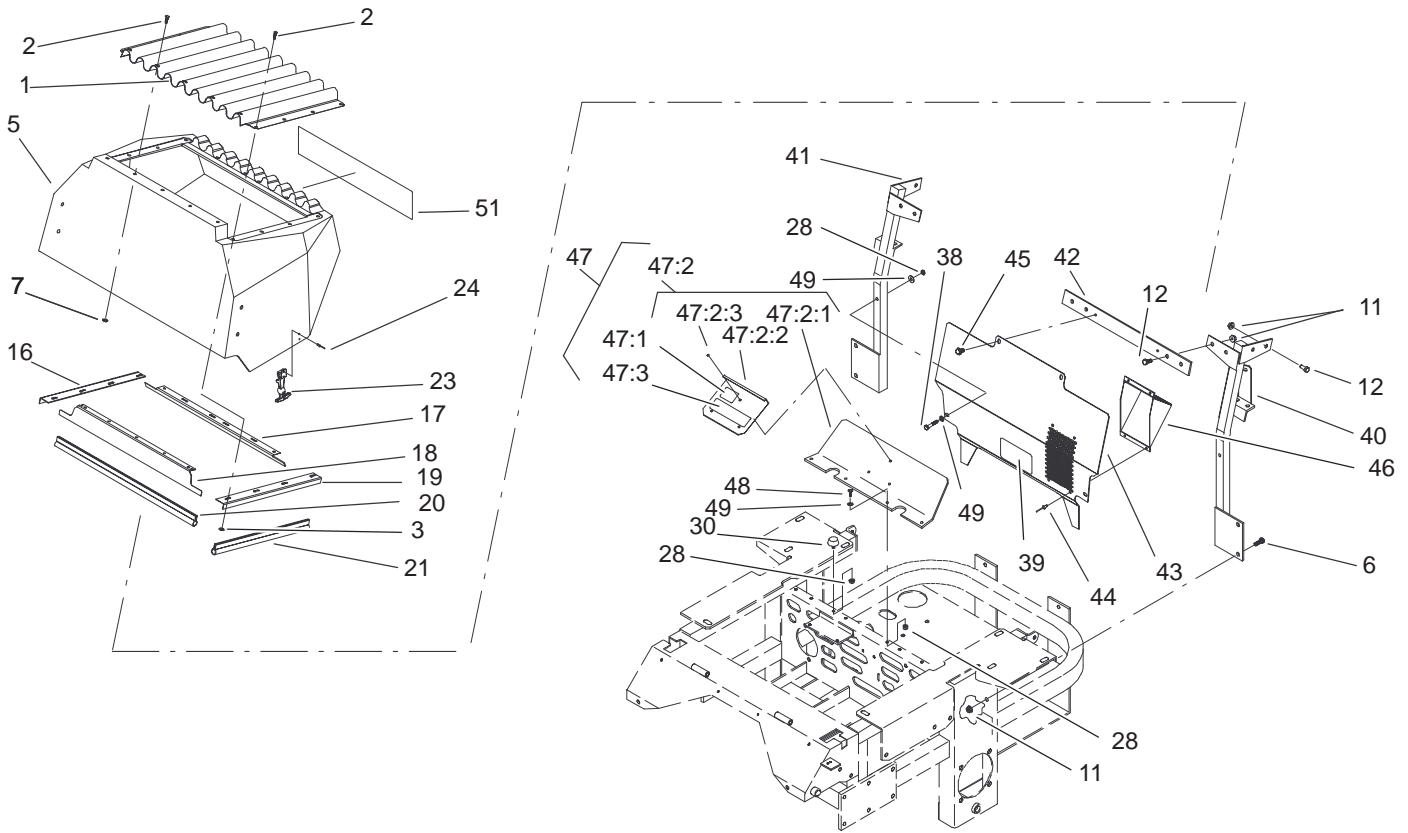


Sheet No.: 15

Engine Assembly (Continued)

Ref. No.	Part No.	Qty.	Description
1	99-4645	1	Radiator Trim Plate ASM
1:2	65-2690	2	Decal-Surface, Hot
1:3	104-2449	1	Decal-Coolant, Havoline
2	1-643161	1	Cap-Radiator
3	103-1046	1	Radiator, Horiz Mount
4	322-1	12	Screw-HH
5	3256-23	14	Washer-Flat
6	99-4644	1	Fan Mounting Plate ASM
6:2	1-643253	2	Decal-Fan, Radiator
6:3	65-2690	2	Decal-Surface, Hot
7	1-803067	4	Screw
8	3256-16	8	Washer-Flat
9	1-804254	4	Nut
10	1-633831	1	Fan
11	1-633989	4	Clamp-Hose
12	103-0074	1	Hose, Radiator Inlet
13	103-0075	1	Hose, Radiator Outlet
14	1-643164	1	Cap-Tank, Overflow
15	1-643163	1	Tank-Overflow
16	1-643131	1	Hose
17	1-643259	1	Fitting-Elbow
18	1-513645	1	Bushing-Valve, Fuel
19	1-643024-03	1	Bracket, Bottle

Ref. No.	Part No.	Qty.	Description
20	321-2	2	Screw-HH
21	1-303287	3	Tie-Plastic
22	1-643129	1	Hose
23	1-633851	1	Extension-Crankshaft
24	3253-4	3	Washer-Lock
25	33014-00	3	Nut-Hex
26	1-633869	1	Fan-Pump, Cooling
27	3256-22	3	Washer-Flat
28	1-809095	3	Rshcs, 1/4-20x1/2
29	103-0098	1	Shroud, Hydraulic Fan
30	3296-2	6	Nut-Lock
31	3256-14	12	Washer-Flat
32	3290-500	6	Screw-PPH
33	103-0895-03	1	Shield-LH
34	1-633794-03	1	Baffle-Engine Shield, RH
35	321-4	6	Screw-HH
36	32128-33	6	Nut-HF

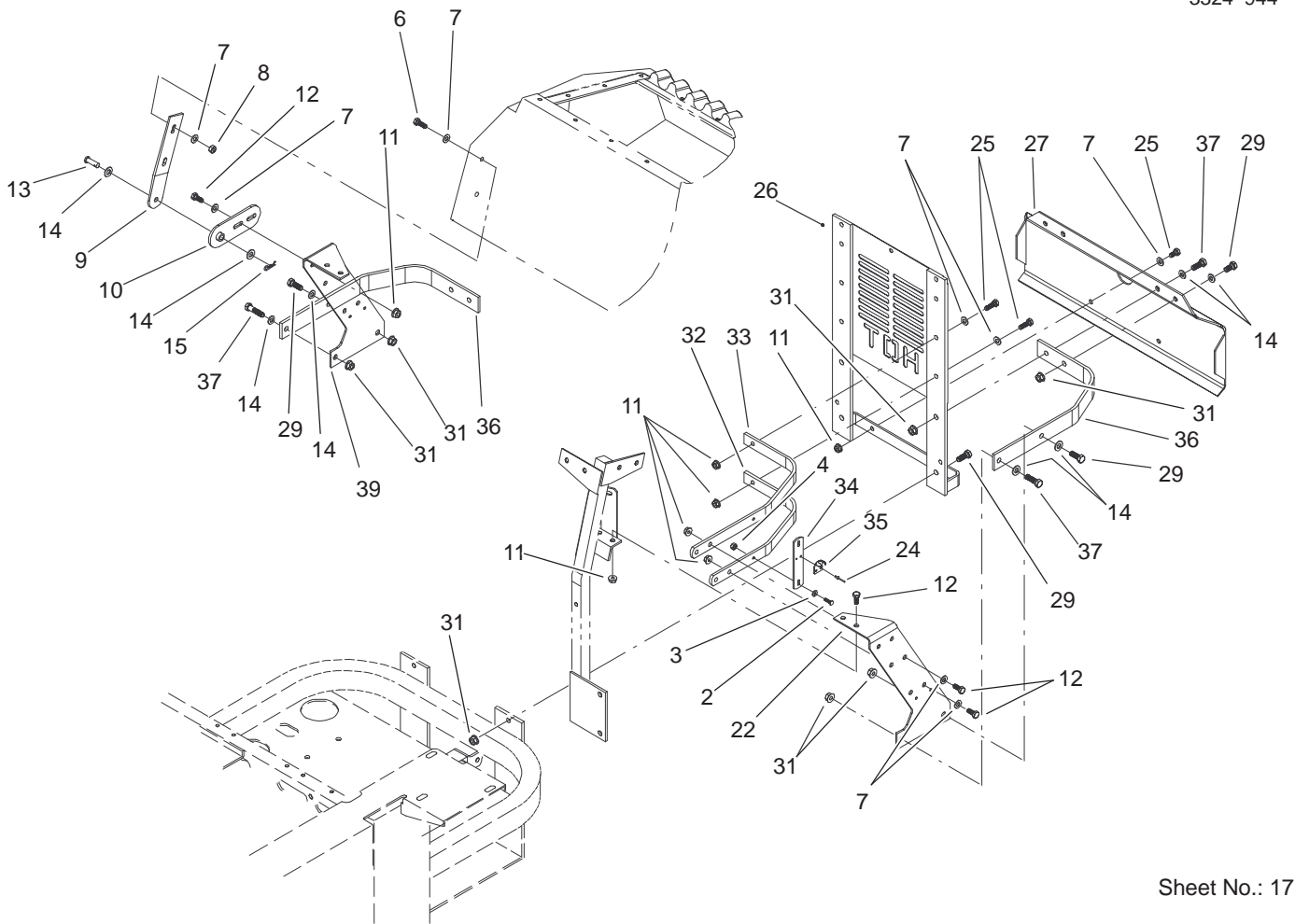


Sheet No.: 16

Rear Hood Assembly

Ref. No.	Part No.	Qty.	Description
1	1-633864-03	1	Screen-Radiator
2	1-803072	17	Rivet-Bulbex
3	3256-14	12	Washer-Flat
5	104-5136	1	Hood
6	322-4	4	Screw-HH
7	1-303435	5	Washer-Spring
11	32128-20	12	Nut-HF
12	322-3	8	Screw-HH
16	1-643106-03	1	Angle-Radiator, RH
17	1-643108-03	1	Angle-Radiator, Bottom
18	1-643107-03	1	Angle-Radiator, Top
19	1-643105-03	1	Angle-Radiator, LH
20	1-643187	2	Seal-Trim
21	1-643186	2	Seal-Trim
23	1-643188	2	Latch-Rubber
24	923786	4	Rivet-Pop
28	3296-42	6	Nut-Lock NI
29	32128-33	2	Nut-HF
30	1-523420	2	Bumper
38	321-9	2	Screw-HH
39	1-643339	1	Decal-Routing, Belt
40	103-0107-03	1	Brace-Radiator, LH
41	1-632985-03	1	Brace-Radiator, RH
42	1-633878-03	1	Crossbar
43	1-643087-03	1	Deflector-Air

Ref. No.	Part No.	Qty.	Description
44	3269-3	4	Rivet-Pop
45	49-2040	2	Screw-Tapping
46	103-0110-03	1	Plenum-Intake, Air
47	1-644276	1	Shield ASM
47:1	1-633462	1	Decal-Important
47:2	1-634308	1	Shield/Lift ASM
47:2:1	1-633298	1	Shield-Engine
47:2:2	1-633300-03	1	Lift-Shield
47:2:3	1-803035	3	Rivet-Pop
47:3	103-0368	1	Decal-Devices, Rotating
48	321-4	4	Screw-HH
49	3256-2	6	Washer-Flat
51	99-4621	1	Decal-Z Master Liquid Cooled



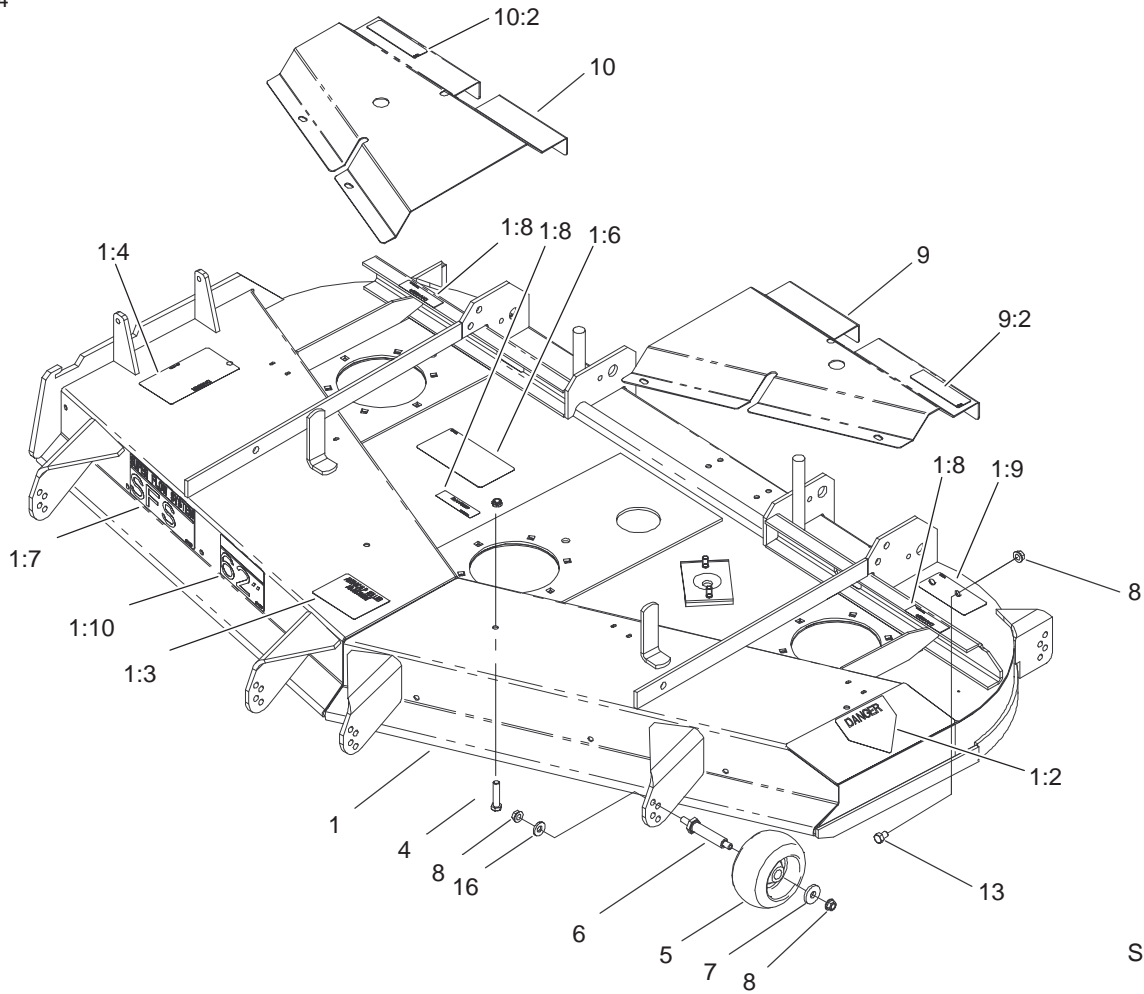
Sheet No.: 17

Rear Bumper Assembly

Ref. No.	Part No.	Qty.	Description
2	1-803069	4	Screw
3	3256-14	4	Washer-Flat
4	3296-2	4	Nut-Lock
6	322-4	4	Screw-HH
7	3256-23	21	Washer-Flat
8	3296-29	4	Nut-Lock
9	1-633885-03	2	Plate-Hinge, Hood
10	1-632986-03	2	Shackle-Hinge
11	32128-20	25	Nut-HF
12	322-3	16	Screw-HH
13	1-808285	2	Pin-Clevis
14	3256-24	12	Washer-Flat
15	1-806003	2	Pin-Cotter, Hair
22	103-0896-03	1	Plate-Side, LH
24	923786	4	Rivet-Pop
25	322-5	9	Screw-HH
26	1-632873-03	1	Mount-Radiator, Rear
27	1-633886-03	1	Guard-Bumper
29	323-6	6	Screw-HH
31	3290-357	10	Nut-Flange, Lock
32	1-633897-03	2	Rib-Top
33	1-633898-03	2	Rib-Bottom
34	1-633877-03	2	Bar-Latch Hook
35	1-643189	2	Keeper-Rubber Latch
36	1-633896-03	2	Bar-Radiator Mount Frame

Ref. No.	Part No.	Qty.	Description
37	323-7	4	Screw-HH
39	103-0897-03	1	Plate-Side, RH

PROTOTYPE



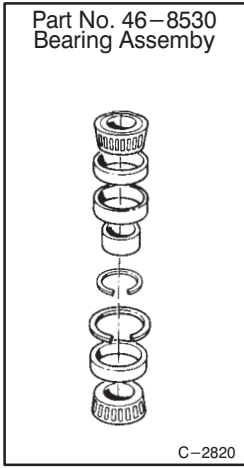
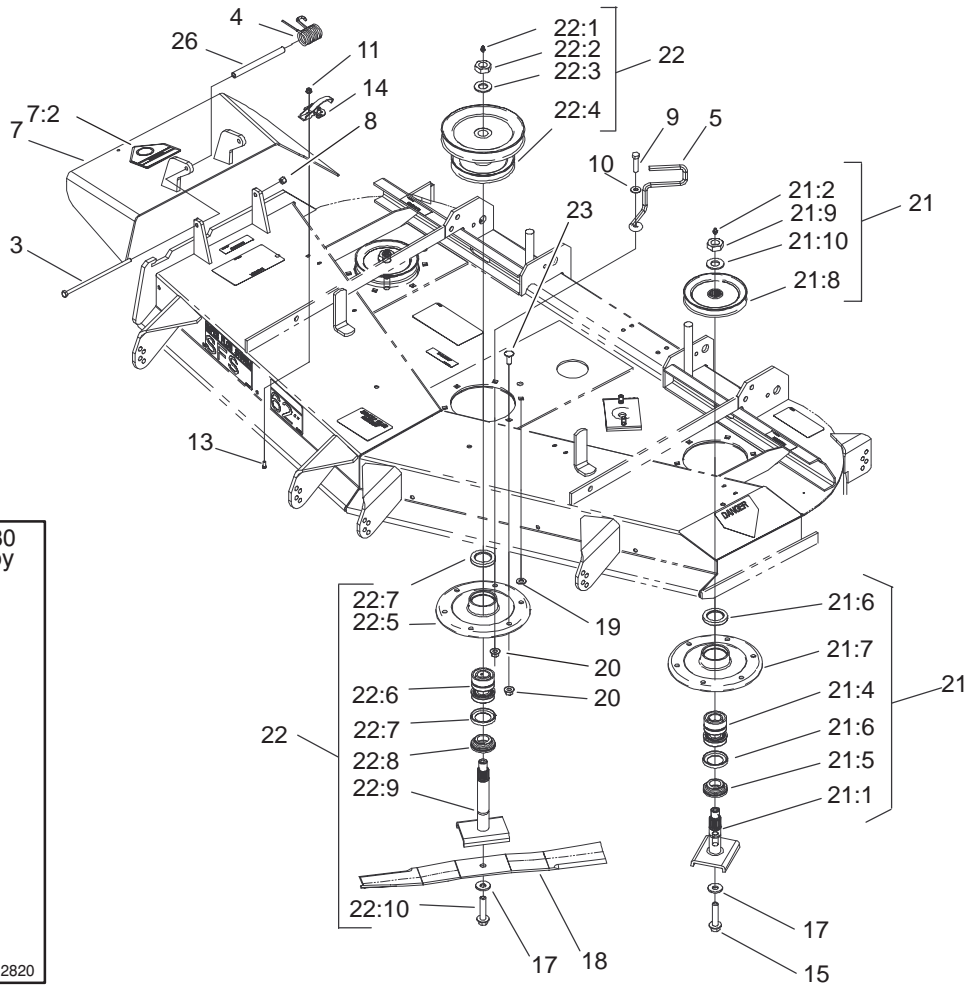
Sheet No.: 32

Deck, Deflector and Roller Assembly

Ref. No.	Part No.	Qty.	Description
1	104-7762	1	Deck ASM
1:2	43-8480	1	Decal-Danger
1:3	98-3798	1	Decal-Wheel, Gage
1:4	66-1340	1	Decal-Danger
1:6	99-4686	1	Decal-Routing, Belt
1:7	99-4619	1	Decal-Sfs
1:8	98-5954	3	Decal-Missing, Cover
1:8	93-7818	1	Decal-Torque, Blade
1:10	99-4620	1	Decal-Deck
4	323-4	4	Screw-HH
5	68-2730	6	Gage-Wheel
6	99-2842	6	Spacer-Wheel
7	1-373034	6	Washer-Swivel
8	3290-357	18	Nut-Flange, Lock
9	98-5955	1	LH Cover ASM
9:2	67-5360	1	Decal-Danger
10	98-5956	1	RH Cover ASM
10:2	67-5360	1	Decal-Danger
13	323-2	2	Screw-HH
16	98-5975	6	Washer-Belleville

Ref. No.	Part No.	Qty.	Description

PROTOTYPE

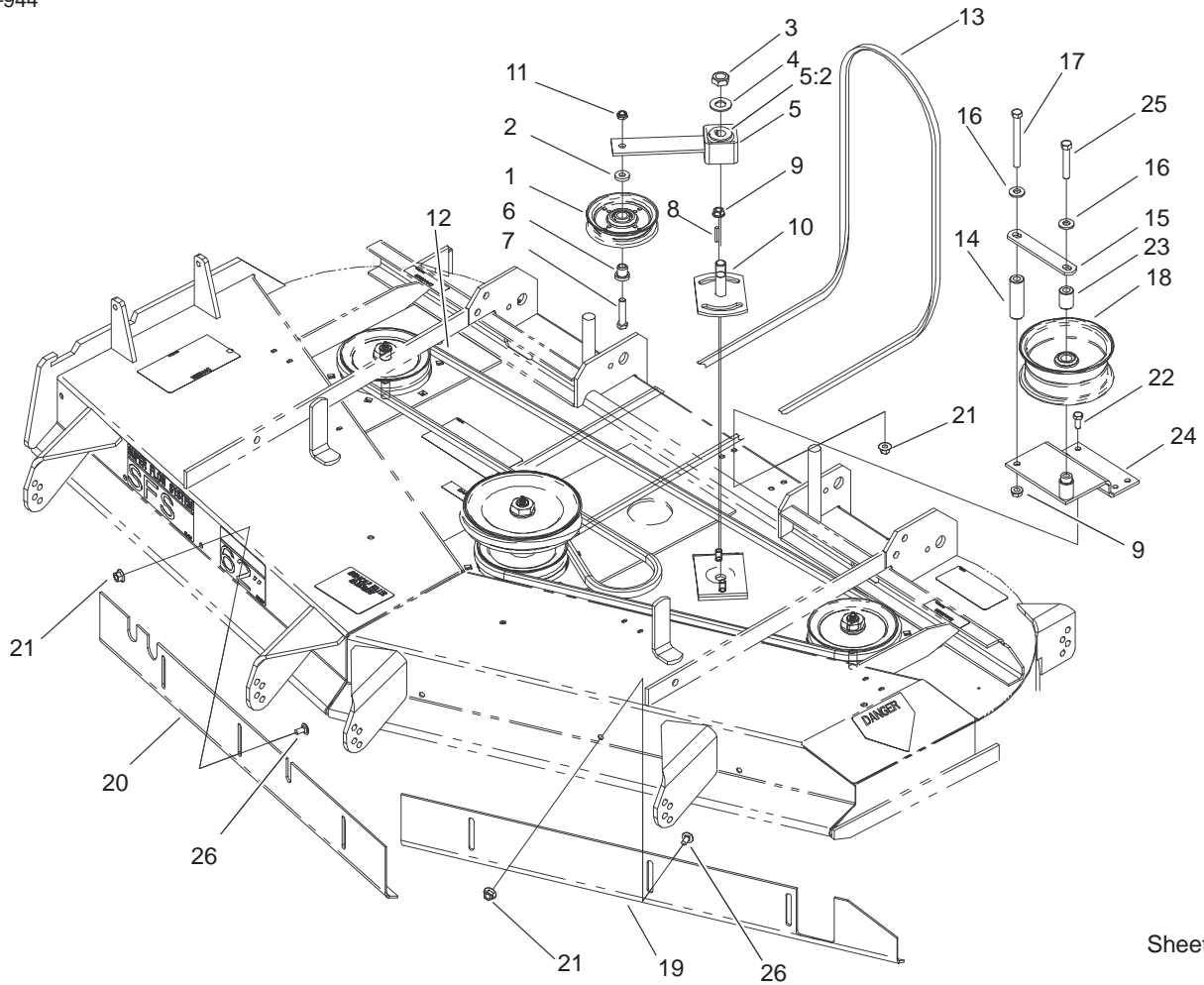


Sheet No.: 33

Spindle and Pulley Assembly

Ref. No.	Part No.	Qty.	Description
3	322-50	1	Screw-Cap
4	104-8554	1	Spring-Torsion
5	99-8933	1	Guide-Belt
7	104-7763	1	Deflector ASM
7:2	54-9220	1	Decal-Danger
8	3296-29	1	Nut-Lock
9	323-8	1	Screw-HH
10	3256-3	1	Washer-Flat
11	32128-17	8	Nut-Lock, Flange
13	3290-321	8	Screw-HWH
14	249-21	4	Clamp-Slotted
15	92-5816	2	Bolt-Blade
17	1-513435	3	Washer-Spring
18	44-6250	3	Blade
19	3256-24	1	Washer-Flat
20	32128-21	18	Nut-HF
21	99-4640	2	Outer Spindle ASM
21:1	27-0920	1	Shaft-Spindle
21:2	302-2	1	Fitting-Grease
21:4	46-8530	1	Bearing ASM
21:5	27-0950	1	Spacer-Bearing, Spindle
21:6	253-139	2	Seal-Oil
21:7	61-4160	1	Housing-Spindle
21:8	99-4614	1	Pulley & Hub
21:9	32146-20	1	Nut-Jam

Ref. No.	Part No.	Qty.	Description
21:10	7-4150	1	Washer-Pinion
22	100-4320	1	Middle Spindle ASM
22:1	302-2	1	Fitting-Grease
22:2	32146-20	1	Nut-Jam
22:3	92-5836	1	Washer-Axle
22:4	100-4307	1	Pulley-Hub ASM
22:5	61-4160	1	Housing-Spindle
22:6	46-8530	1	Bearing ASM
22:7	253-139	2	Seal-Oil
22:8	27-0950	1	Spacer-Bearing, Spindle
22:9	51-3551	1	Shaft-Spindle
22:10	92-5816	1	Bolt-Blade
23	3231-22	17	Screw-CARR
26	104-8555	1	Spacer-Deflector, Mounting



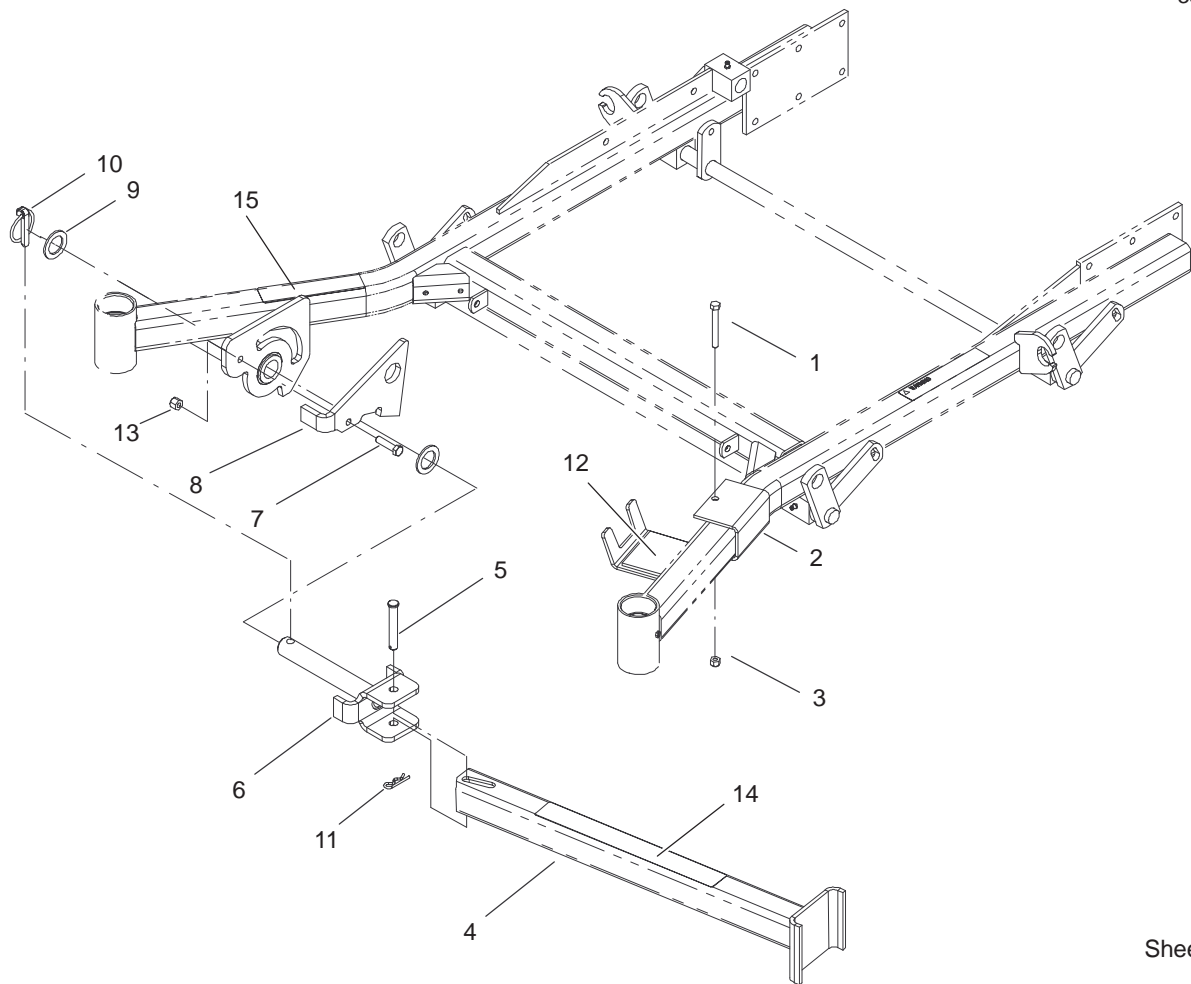
Sheet No.: 34

Belts and Idler Arm Assembly

Ref. No.	Part No.	Qty.	Description
1	65-5940	1	Pulley-Idler
2	7-0081	1	Washer-Flat
3	3296-71	1	Nut-Lock NI
4	3256-27	1	Washer-Flat
5	27-8580	1	Idler Socket & Bushing ASM
5:2	27-8490	1	Bushing-Rubber, Idler
6	65-5950	1	Bushing-Pulley
7	3211-8	1	Screw-HH
8	5-1077	1	Key-Square
9	3290-357	3	Nut-Flange, Lock
10	44-6301	1	Plate-Idler, LH
11	3296-5	1	Nut-Lock, NI
12	44-6260	1	V-Belt
13	99-4647	1	V-Belt-Drive, Deck
14	99-4659	1	Spacer-Bracket
15	1-653189	1	Plate-Guide, Belt
16	98-5975	2	Washer-Belleville
17	323-42	1	Screw-HH
18	1-413099	1	Pulley-Idler
19	99-2833-03	1	Baffle-Front, LH
20	99-2834-03	1	Baffle-Front, RH
21	32128-20	10	Nut-HF
22	322-3	4	Screw-HH
23	1-653190	1	Spacer
24	99-4684-01	1	Bracket-Pulley

Ref. No.	Part No.	Qty.	Description
25	323-11	1	Screw-HH
26	3230-18	6	Screw-CARR

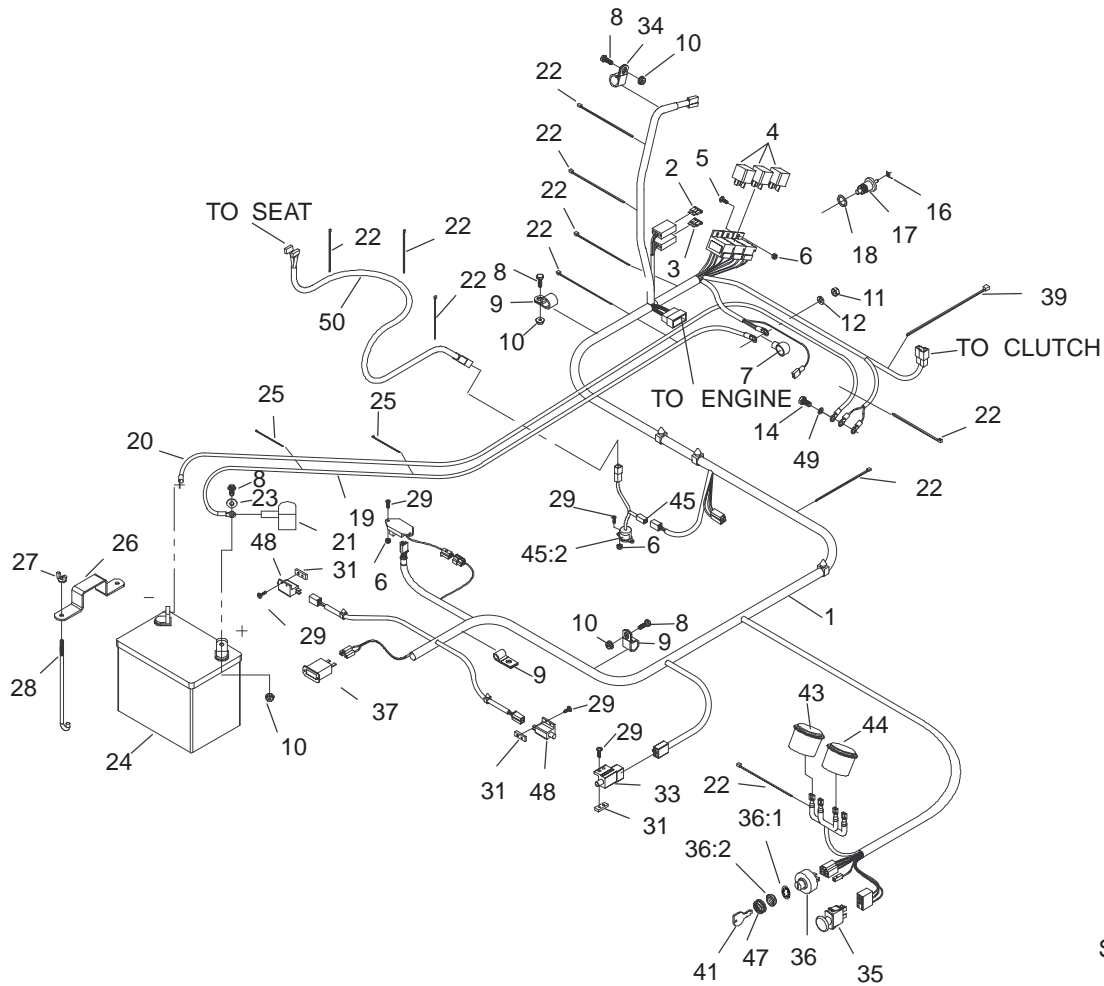
PROTOTYPE



Sheet No.: 51

Stand Assembly

Ref. No.	Part No.	Qty.	Description	Ref. No.	Part No.	Qty.	Description
1	322-13	1	Screw-HH				
2	100-9699-01	1	Bracket-Cradle				
3	3296-29	1	Nut-Lock				
4	100-9695-01	1	Leg ASM				
5	283-55	1	Pin-Clevis				
6	100-9692-01	1	Pivot Pin ASM				
7	323-8	1	Screw-HH				
8	100-9686-01	1	Bracket-Latch				
9	3-6781	2	Washer-Thrust				
10	283-71	1	Pin-Lynch				
11	3290-355	1	Pin-Hair				
12	104-7765	1	Cushion-Rubber				
13	3296-39	1	Nut-Lock, NI				
14	104-7758	1	Decal-Z Stand				
15	104-7759	1	Decal-Warning				

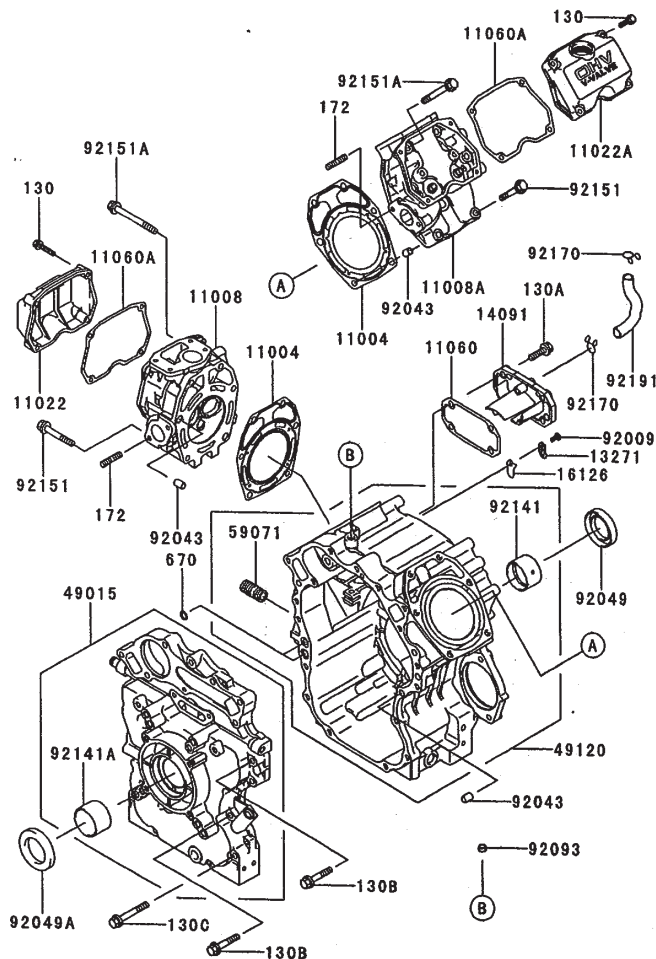


Sheet No.: 52

Electrical Assembly

Ref. No.	Part No.	Qty.	Description
1	104-7757	1	Harness - Wire, 27 Kaw
2	1-816001	1	Fuse-Type, Blade
3	1-816003	1	Fuse-Blade Type, 30 Amp
4	1-643275	3	Relay
5	1-803071	2	Screw
6	3296-2	6	Nut-Lock
7	1-543393	1	Insulator-Solenoid
8	321-4	5	Screw-HH
9	1-633396	3	Clip-Loom
10	32128-33	5	Nut-HF
11	33014-00	1	Nut-Hex
12	3256-23	1	Washer-Flat
14	33114-016	1	Screw-HH
16	1-643145	1	Tab
17	103-0283	1	Sender, Eng. temp. m1 -1.5
18	1-643153	1	Washer-Aluminum
19	1-523279	1	Wire-Battery, Positive
20	1-633307	1	Wire-Ground
21	1-543391	1	Insulator-Battery
22	1-303335	10	Tie-Plastic
23	3256-2	2	Washer-Flat
24	1-603479	1	Battery
25	1-303287	2	Tie-Plastic

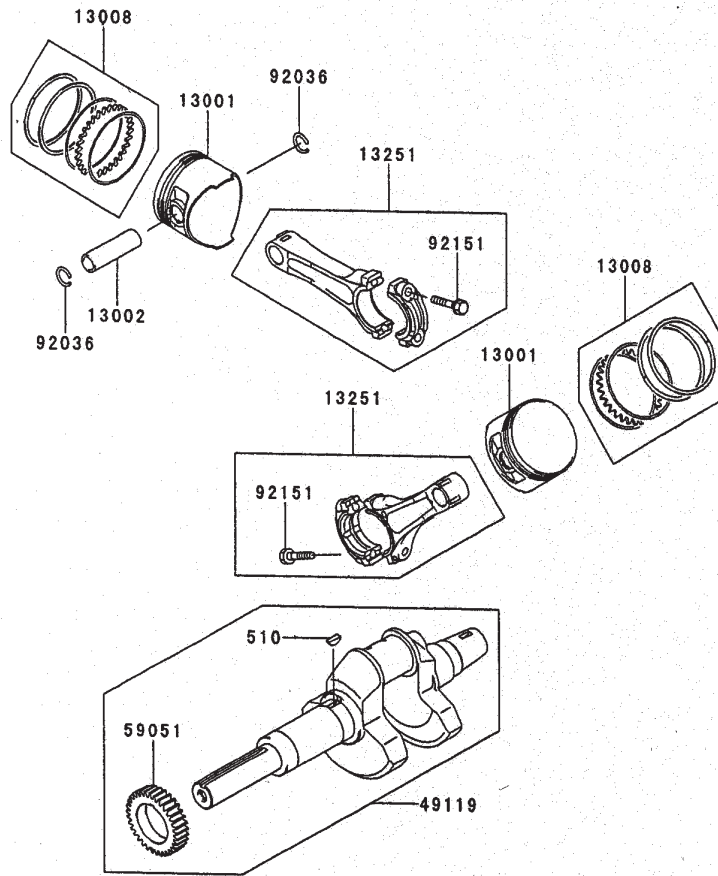
Ref. No.	Part No.	Qty.	Description
26	1-633652-03	1	Strap-Holddown, Battery
27	1-543792	2	Wingnut
28	1-633651	2	Bolt-Holddown
29	3290-500	10	Screw-PPH
31	1-633181	3	Plate-Tapped
33	1-633111	1	Switch
34	1-513762	1	Clip-Loom
35	1-633673	1	Switch-Delta
36	88-9830	1	Switch-Ignition
36:1	3254-5	1	Washer-Lock, Internal
36:2	218-461	1	Nut-HH
37	1-513374	1	Meter-Hours
39	1-643115	1	Tie-Plastic
41	63-8360	2	Key-Ignition
43	1-643037	1	Gauge-Voltmeter
44	1-643021	1	Gauge-Temperature
45	1-644427	1	Tilt Switch ASM
45:2	1-643401	1	Decal-Switch, Mercury
47	103-0499	1	Seal-Switch, Ignition
48	1-513051	2	Switch-Open, Normally
49	3256-23	1	Washer-Flat
50	1-633840	1	Harness-wiring, Seat



Cylinder/Crankcase (Kawasaki FD750D-AS03)

Ref. No.	Part No.	Qty.	Description	Ref. No.	Part No.	Qty.	Description
11004	11004-2142	2	Gasket-Head	130B	130G0845	4	Bolt-Flanged
11008	11008-2145	1	Head-Comp-Cylinder	130C	310G0860	4	Bolt-Flanged
11008A	11008-2146	1	Head-Comp-Cylinder	172	172G0822	4	Bolt-Stud
11022	11022-2072	1	Case-Rocker	670	670B2011	2	O-Ring
11022A	11022-2073	1	Case-Rocker				
11060	11060-2466	1	Gasket, Breath				
11060A	11060-2470	2	Gasket, Rocker, Case				
13271	13271-2105	2	Plate				
14091	14091-2064	1	Cover, Breath				
16126	16126-2225	2	Valve, Breath				
49015	49015-6232	1	Cover-Crankcase				
49120	49120-6127	1	Crankcase-Comp				
59071	59071-2079	1	Joint				
92009	92009-2308	2	Screw				
92043	92043-1037	6	Pin				
92049	92049-2242	1	Seal-Oil				
92049A	92049-2243	1	Seal-Oil				
92093	92093-2086	1	Seal				
92141	92141-2118	1	Bearing-Plane				
92141A	92141-2119	1	Bearing-Plane				
92151	92151-2158	4	Bolt				
92151A	92151-2159	8	Bolt				
92170	92170-2002	2	Clamp				
92191	92191-2105	1	Tube				
130	130G0630	8	Bolt-Flanged				
130A	130G0830	4	Bolt-Flanged				

Obtain Parts from Kawasaki

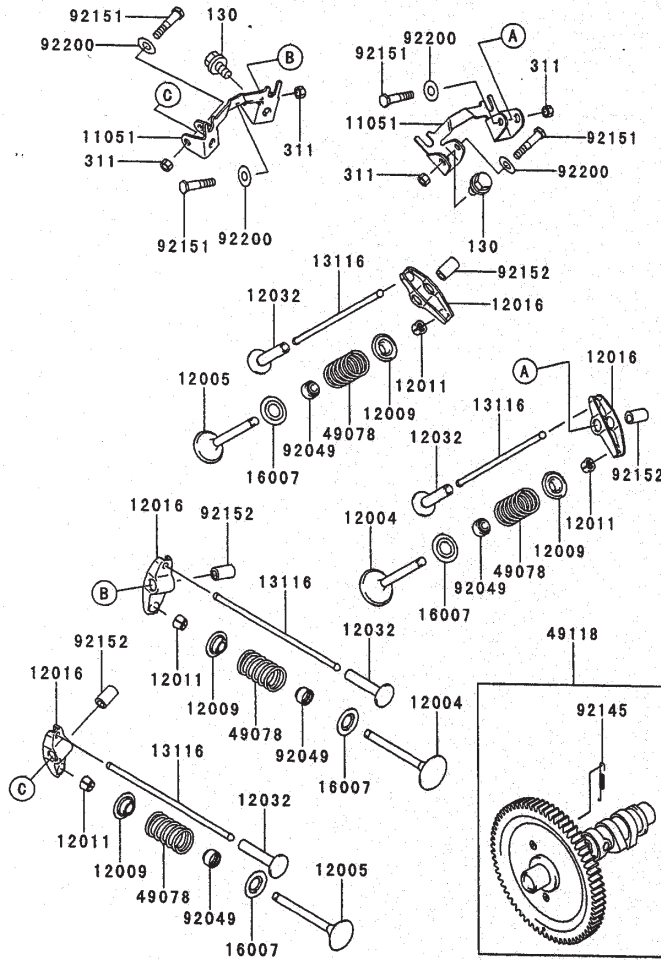


Piston/Crankshaft (Kawasaki FD750D-AS03)

Ref. No.	Part No.	Qty.	Description	Ref. No.	Part No.	Qty.	Description
13001	13001-2125	2	Piston-Engine				
13002	13002-0269	2	Pin-Piston				
13008	13008-6007	2	Ring-Set-Piston				
13251	13251-2058	2	Rod ASM-Connecting				
49119	49119-2198	1	Crankshaft ASM				
59051	59051-2358	1	Gear-Spur, 33T				
92036	92036-008	4	Ring-Snap				
92151	92151-2150	4	Bolt				
510	510A5100	1	Key-Woodruff				

PROTOTYPE

Obtain Parts from Kawasaki

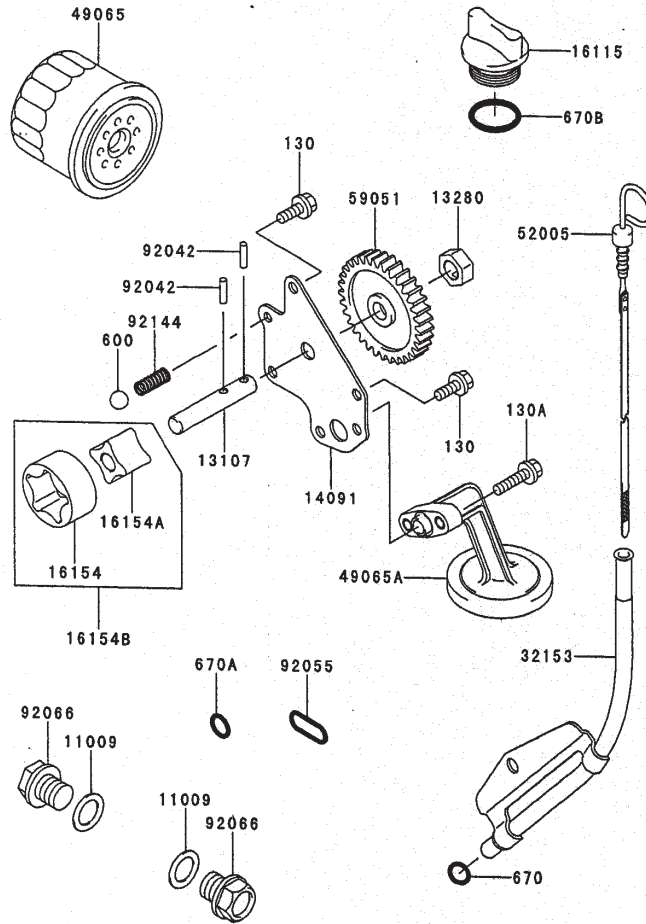


Valve/Camshaft (Kawasaki FD750D-AS03)

Ref. No.	Part No.	Qty.	Description
11051	11051-2092	2	Bracket
12004	12004-2113	2	Valve-Intake
12005	12005-2100	2	Valve-Exhaust
12009	12009-2060	4	Retainer-Valve Spring
12011	12011-252	8	Collet
12016	12016-2063	4	Arm-Rocker
12032	12032-2060	4	Tappet
13116	13116-2074	4	Rod-Push
16007	16007-2052	4	Seat-Spring
49078	49078-2060	4	Spring-Engine Valve
49118	49118-2138	1	Camshaft
92049	92049-2100	4	Seal-Oil
92145	92145-2085	1	Spring
92151	92151-2134	4	Bolt
92152	92152-2066	4	Collar
92200	92200-2128	4	Washer
130	130G0814	4	Bolt-Flanged
311	311B0600	4	Nut-Hex

Ref. No.	Part No.	Qty.	Description

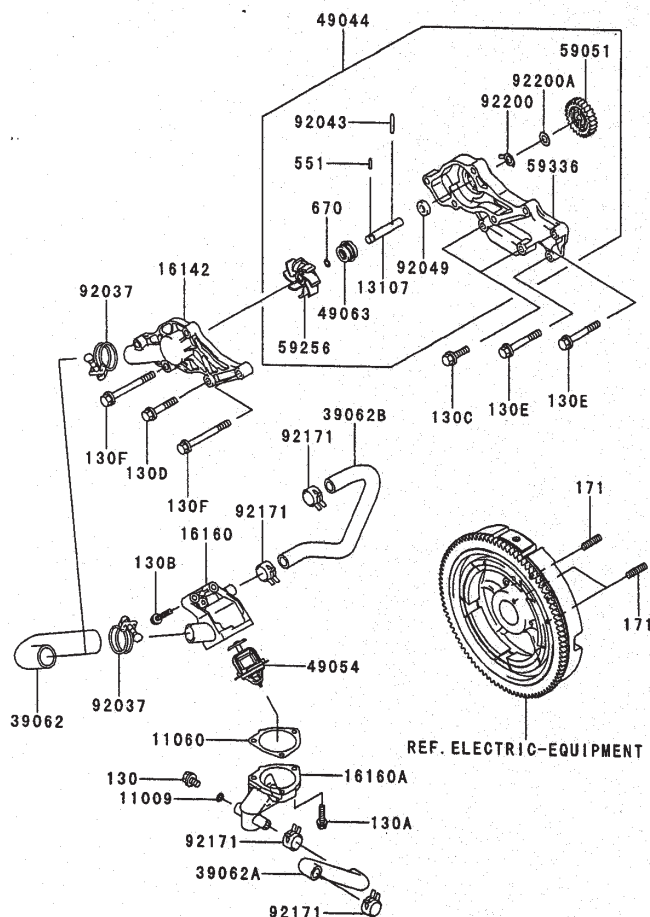
Obtain Parts from Kawasaki



Lubrication Equipment (Kawasaki FD750D-AS03)

Ref. No.	Part No.	Qty.	Description	Ref. No.	Part No.	Qty.	Description
11009	11009-2566	2	Gasket, Drain Plug				
13107	13107-2281	1	Shaft, Oil Pump				
13280	13280-2061	1	Holder, Oil Pump				
14091	14091-2065	1	Cover, Oil Pump				
16115	16115-2126	1	Cap-Oil Filler				
16154	16154-1075	1	Rotor-Pump, Outer				
16154A	16154-1076	1	Rotor-Pump, Inner				
16154B	16154-1079	1	Rotor-Pump				
32153	32153-2076-9H	1	Pipe, Oil Gauge				
49065	49065-2071	1	Filter-Oil				
49065A	49065-2082	1	Filter				
52005	52005-2132	1	Gauge, Oil				
59051	59051-2354	1	Gear-Spur, 33T				
92042	92042-014	2	Pin				
92055	92055-2086	1	O-Ring				
92066	92066-2099	2	Plug, Drain				
92144	92144-2053	1	Spring				
130	130G0616	3	Bolt-Flanged				
130A	130G0625	2	Bolt-Flanged				
600	600A1300	1	Ball-Steel				
670	670B2010	1	O-Ring				
670A	670B2011	1	O-Ring				
670B	670B3025	1	O-Ring				

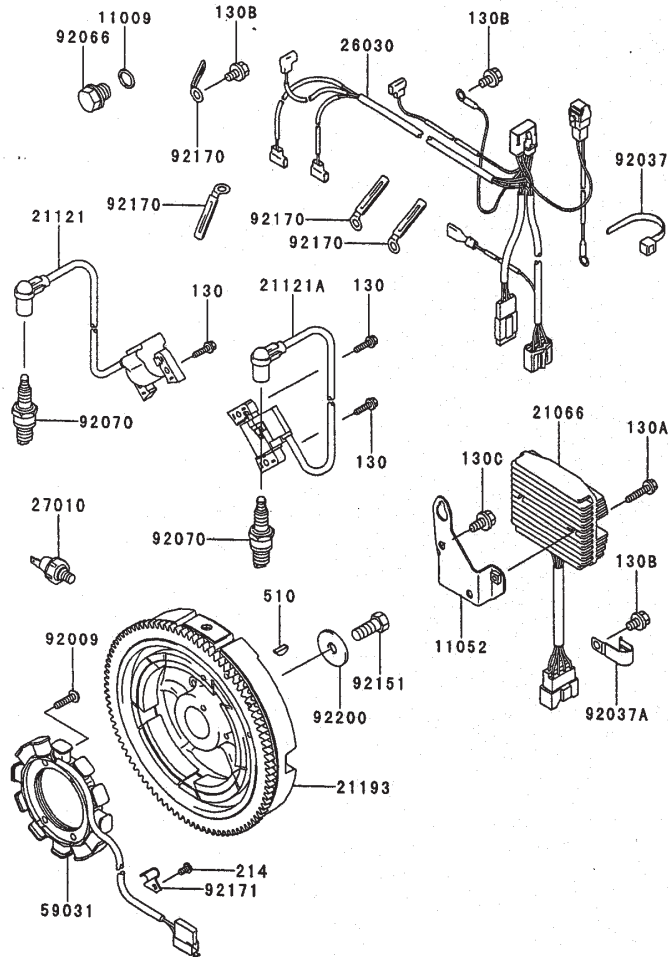
Obtain Parts from Kawasaki



Cooling Equipment (Kawasaki FD750D-AS03)

Ref. No.	Part No.	Qty.	Description	Ref. No.	Part No.	Qty.	Description
11009	11009-3028	1	Gasket	130E	130G0860	2	Bolt-Flanged
11060	11060-2475	1	Gasket-Thermostat	130F	130G0880	4	Bolt-Flanged
13107	13107-2097	1	Shaft-Impeller	171	171G0818	3	Bolt-Stud
16142	16142-2077	1	Cover-Pump	551	551A0314	1	Pin-Dowel
16160	16160-2127	1	Body-Upper	670	670B1507	1	O-Ring
16160A	16160-6002	1	Body-Valve				
39062	39062-2080	1	Hose-Cooling				
39062A	39062-2083	1	Hose-Cooling				
39062B	39062-2084	1	Hose-Cooling				
49044	49044-2063	1	Pump-Water				
49054	49054-2058	1	Thermostat				
49063	49063-1054	1	Seal-Mechanical				
59051	59051-2355	1	Gear-Spur, 25T				
59256	59256-2069	1	Impeller				
59336	59336-2078	1	Case-Pump				
92037	92037-2210	2	Clamp				
92043	92043-2237	1	Pin				
92049	92049-2111	1	Seal-Oil				
92171	92171-2056	4	Clamp				
92200	92200-2134	1	Washer				
92200A	92200-2135	1	Washer				
130	130C0812	1	Bolt-Flanged				
130A	130G0625	3	Bolt-Flanged				
130B	130G0635	2	Bolt-Flanged				
130C	130G0830	2	Bolt-Flanged				
130D	130G0845	1	Bolt-Flanged				

Obtain Parts from Kawasaki

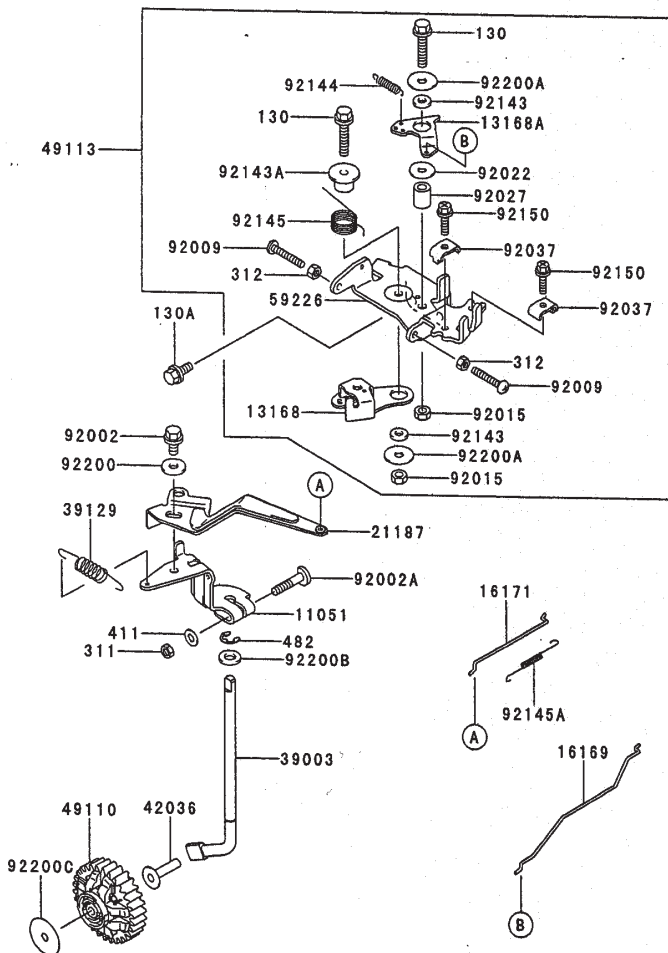


Electric Equipment (Kawasaki FD750D-AS03)

Ref. No.	Part No.	Qty.	Description	Ref. No.	Part No.	Qty.	Description
11009	11009-2766	1	Gasket				
11052	11052-2058	1	Bracket				
21066	21066-2079	1	Regulator-Voltage				
21121	21121-2090	1	Coil-Ignition, No. 1				
21121A	21121-2091	1	Coil-Ignition, No. 2				
21193	21193-2177	1	Flywheel ASM				
26030	26030-2320	1	Harness				
27010	27010-7001	1	Switch				
59031	59031-2127	1	Coil-Charging				
92009	92009-2273	4	Scerw				
92037	92037-1173	1	Clamp				
92037A	92037-2101	1	Clamp				
92066	92066-2099	1	Plug-Drain				
92070	92070-2110	2	Plug-Spark, BPR2ES				
92151	92151-0297	1	Bolt				
92170	92170-2060	4	Clamp				
92171	92171-2060	1	Clamp				
92200	92200-2119	1	Washer				
130	130G0520	1	Bolt-Flanged				
130A	130G0630	2	Bolt-Flanged				
130B	130G0812	3	Bolt-Flanged				
130C	130G0816	2	Bolt-Flanged				
214	214B0510	1	Screw-Pan+				
510	510A5100	1	Key-Woodruff				

PROTOTYPE

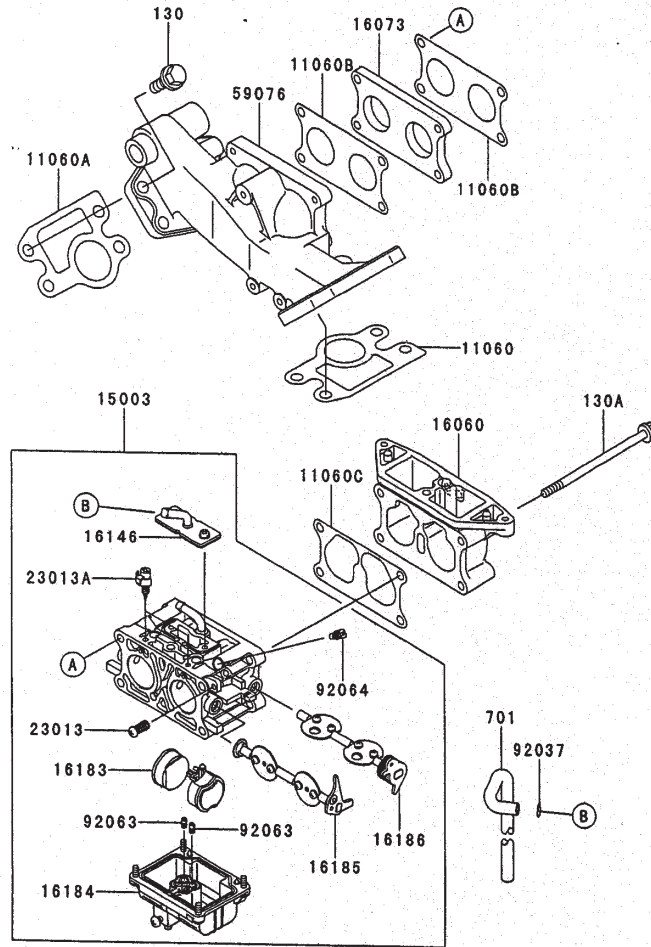
Obtain Parts from Kawasaki



Control Equipment (Kawasaki FD750D-AS03)

Ref. No.	Part No.	Qty.	Description	Ref. No.	Part No.	Qty.	Description
11051	11051-2113	1	Bracket	92200A	92200-2108	2	Washer
13168	13168-2466	1	Lever-Throttle	92200B	92200-2120	1	Washer
13168A	13168-2467	1	Lever-Choke	92200C	92200-2122	1	Washer
16169	16169-2142	1	Link-Choke	130	130B0630	2	Bolt-Flanged
16171	16171-2091	1	Link	130A	130G0614	2	Bolt-Flanged
21187	21187-2073	1	Arm ASM	311	311B0600	2	Nut-Hex
39003	39003-2091	1	Arm-Pivot	312	312G0500	2	Nut-Hex
39129	39129-2099	1	Spring-Governor	411	411B0600	1	Washer
42036	42036-2060	1	Sleeve	482	482J7000	1	Circlip-Type E
49110	49110-2094	1	Governor ASM				
49113	49113-2170	1	Panel-Comp-Control				
59226	59226-2328	1	Panel-Control				
92002	92002-1902	1	Bolt				
92002A	92002-2269	1	Bolt				
92009	92009-2381	2	Screw				
92015	92015-2051	2	Nut				
92022	92002-2372	1	Washer				
92027	92027-1461	1	Collar				
92037	92037-2209	2	Clamp				
92143	92143-2135	2	Collar				
92143A	92143-2148	1	Collar				
92144	92144-2052	1	Spring				
92145	92145-2058	1	Spring				
92145A	92145-2095	1	Spring				
92150	92150-2182	2	Bolt				
92200	92200-2035	1	Washer				

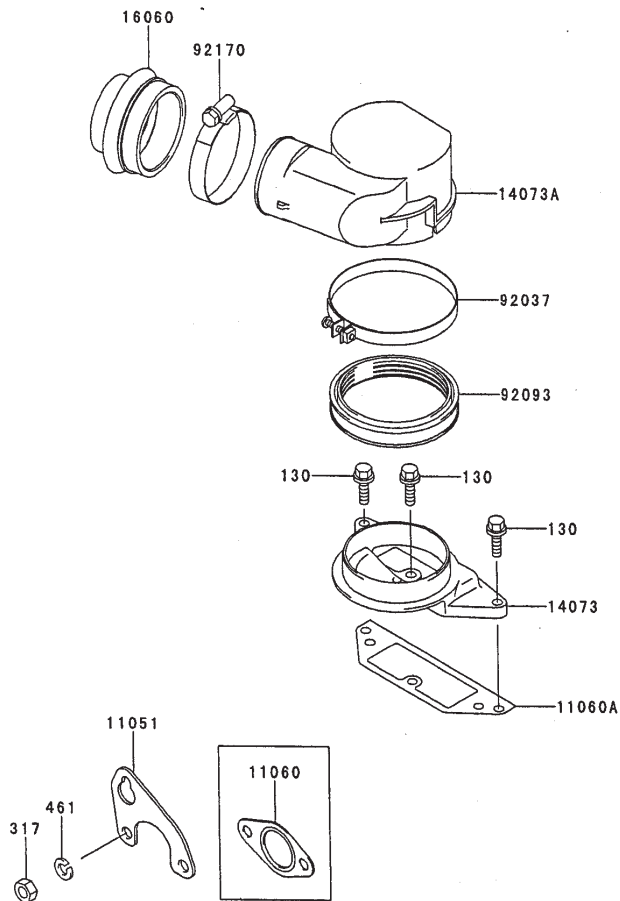
Obtain Parts from Kawasaki



Carburetor (Kawasaki FD750D-AS03)

Ref. No.	Part No.	Qty.	Description	Ref. No.	Part No.	Qty.	Description
11060	11060-2468	1	Gasket-Intake				
11060A	11060-2469	1	Gasket-Intake				
11060B	11060-2471	2	Gasket-Intake Pipe				
11060C	11060-2473	1	Gasket-Carburetor				
15003	15003-2776	1	Carburetor ASM				
16060	16060-2194	1	Pipe-Intake				
16073	16073-2206	1	Insulator				
16146	16146-2227	1	Cover ASM				
16183	16183-2006	1	Float ASM				
16184	16184-2004	1	Float Chamber ASM				
16185	16185-2036	1	Throttle Valve ASM				
16186	16186-2036	1	Choke Valve ASM				
23013	23013-2059	1	Screw ASM				
23013A	23013-2060	1	Screw ASM				
59076	59076-2065	1	Manifold-Intake				
92037	92037-1610	1	Clamp				
92063	92063-2400	2	Jet-Main				
92064	92064-2113	2	Jet-Pilot				
130	130G0825	8	Bolt-Flanged				
130A	130T06110	4	Bolt-Flanged				
701	701Q061000	1	Tube-PVC				

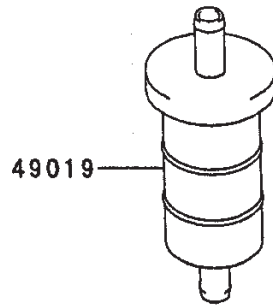
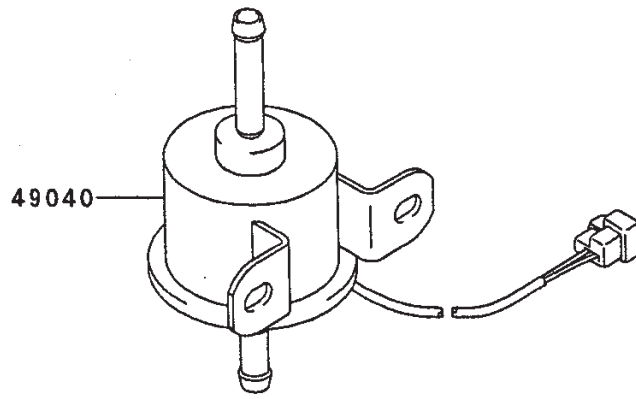
Obtain Parts from Kawasaki



Air-Filter/Muffler (Kawasaki FD750D-AS03)

Ref. No.	Part No.	Qty.	Description	Ref. No.	Part No.	Qty.	Description
11051	11051-2088	1	Bracket				
11060	11060-2467	2	Gasket-Muffler				
11060A	11060-2474	2	Gasket-Air Filter				
14073	14073-2075	1	Duct-Lower				
14073A	14073-2076	1	Duct-Upper				
16060	16060-2197	1	Pipe-Intake				
92037	92037-1654	1	Clamp				
92093	92093-2118	1	Seal				
92170	92170-2075	1	Clamp				
130	130G0620	3	Bolt-Flanged				
317	317R0800	1	Nut-Hex				
461	461F0800	1	Washer-Spring				

Obtain Parts from Kawasaki

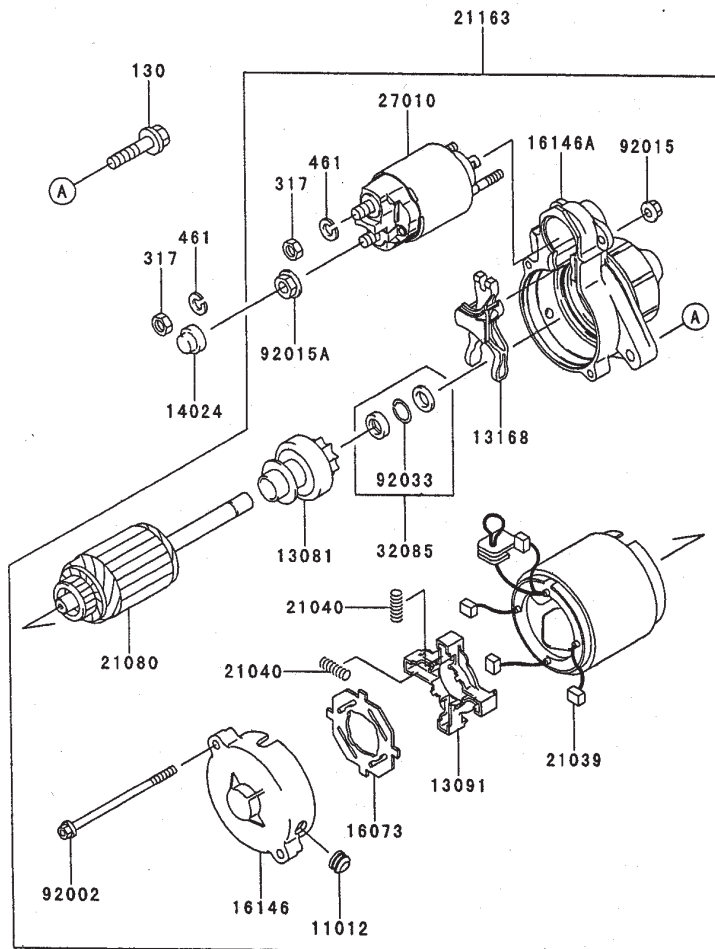


Fuel-Tank/Fuel-Valve (Kawasaki FD750D-AS03)

Ref. No.	Part No.	Qty.	Description
49019	49019-1055	1	Filter-Fuel
49040	49040-2065	1	Pump-Fuel

Ref. No.	Part No.	Qty.	Description
<p style="font-size: 48px; opacity: 0.5; font-weight: normal;">PROTOTYPE</p>			

Obtain Parts from Kawasaki



Starter (Kawasaki FD750D-AS03)

Ref. No.	Part No.	Qty.	Description	Ref. No.	Part No.	Qty.	Description
11012	11012-2226	1	Cap				
13081	13081-2108	1	Clutch ASM				
13091	13091-2068	1	Holder-Brush				
13168	13168-2131	1	Lever-Shift				
14024	14024-2205	1	Cover				
16073	16073-2098	1	Insulator				
16146	16146-2187	1	Cover ASM				
16146A	16146-2225	1	Cover ASM				
21039	21039-2059	4	Brush				
21040	21040-2052	4	Spring-Brush				
21080	21080-2054	1	Armature				
21163	21163-2120	1	Starter-Electric				
32085	32085-2097	1	Stopper				
92002	92002-2277	2	Bolt				
92015	92015-2146	2	Nut				
92015A	92015-2147	1	Nut				
92033	92033-2081	1	Ring-Snap				
130	130G0835	2	Bolt-Flanged				
317	317B0800	2	Nut-Hex				
461	461F0800	2	Washer-Spring				

Obtain Parts from Kawasaki



PROTOTYPE