



## Z287L

### Z-Master<sup>®</sup> with 72" Side Discharge Mower

Model No. 74214-21000001 and Up

## Parts Catalog

### Ordering Replacement Parts

To order replacement parts, please supply: the part number, the quantity, and the description of each part desired.

### Understanding Reference Numbers

Each identified part in an illustration has a reference number. The reference number for a part also appears in the parts list, along with other information about the part.

This catalog uses two special reference number formats, one to indicate parts in a service assembly and another to indicate the quantity of a given part in an illustration.

### Service Assembly Reference Numbers

Parts in service assemblies have reference numbers in the form **a:b**. The **a** represents the reference number of the entire service assembly and the **b** represents a sequential number unique to each part within the service assembly.

For example, a wheel assembly might be identified by reference number **6**, the tire by **6:1**, the valve by **6:2**, and the wheel by **6:3**. When you order the assembly identified by reference number **6**, you receive all parts identified by reference numbers **6:1**, **6:2**, and **6:3**. However, you may also order any part individually.

Reference numbers of this type appear in illustrations and in part lists.

### Reference Numbers Indicating Quantity

In an illustration, if a reference number indicates more than one part, the reference number has the form **nX y**. The **n** represents the quantity of the part, the **X** is the multiplication symbol, and the **y** represents the reference number.

For example, in an illustration, the reference number **2X 37** means that two of the parts identified by reference number **37** are indicated.

## Contents

<b>Description</b>	<b>Page</b>	<b>Description</b>	<b>Page</b>
Front Frame Assembly .....	3	Piston/Crankshaft (Kawasaki FD750D-AS03) .....	24
Caster and Wheel Assembly .....	4	Valve/Camshaft (Kawasaki FD750D-AS03) .....	25
Rear Frame and Wheel Assembly .....	5	Lubrication Equipment (Kawasaki FD750D-AS03) .....	26
Brake and Wheel Hub Assembly .....	7	Cooling Equipment (Kawasaki FD750D-AS03) .....	27
Control Panel Assembly .....	8	Electric Equipment (Kawasaki FD750D-AS03) .....	28
Hydraulic System Assembly .....	9	Control Equipment (Kawasaki FD750D-AS03) .....	29
Idler Assembly .....	11	Carburetor (Kawasaki FD750D-AS03) .....	30
Frame and Deck Assembly .....	12	Air-Filter/Muffler (Kawasaki FD750D-AS03) .....	31
Tank and Fuel Lines Assembly .....	13	Fuel-Tank/Fuel-Valve (Kawasaki FD750D-AS03) .....	32
Engine Assembly .....	14	Starter (Kawasaki FD750D-AS03) .....	33
Rear Hood Assembly .....	16		
Rear Bumper Assembly .....	17		
Deck, Deflector and Roller Assembly .....	18		
Spindle and Pulley Assembly .....	19		
Belts and Idler Arm Assembly .....	20		
Stand Assembly .....	21		
Electrical Assembly .....	22		
Cylinder/Crankcase (Kawasaki FD750D-AS03) .....	23		

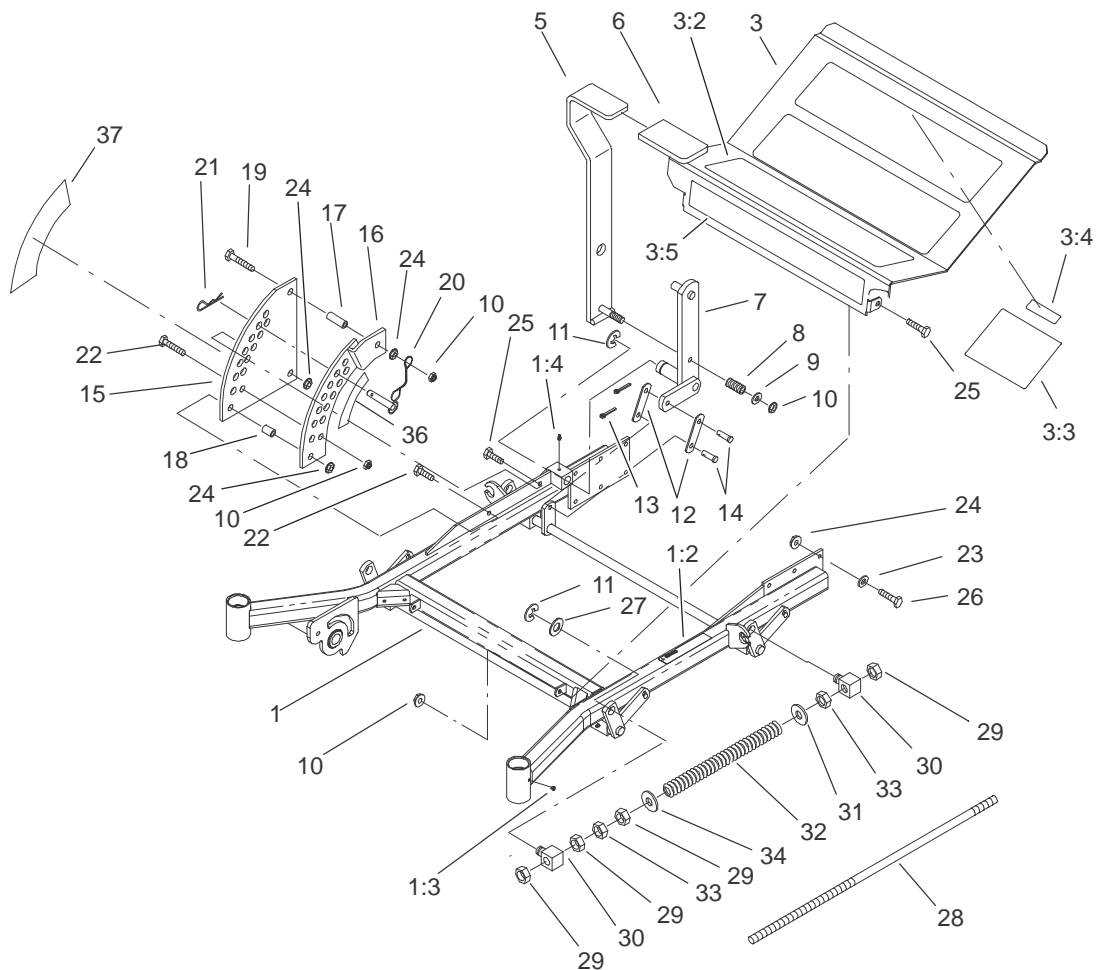
## Accessories

<b>Description</b>	<b>Model / Part No.</b>	<b>Description</b>	<b>Model / Part No.</b>
Roll-Over Protection System .....	78480	Atomic Blade Assembly .....	104-1304
Hitch Kit .....	99-8925	62"/72" Stripping Kit .....	30163

## Part Description Abbreviations

Part descriptions in this catalog may include the following abbreviations.

<b>Abbreviation</b>	<b>Meaning</b>	<b>Abbreviation</b>	<b>Meaning</b>
AR .....	as required	INC .....	incorporated
ASM .....	assembly	LH .....	left hand
CARR .....	carriage	NI .....	nylon insert
DEG .....	degrees	PPH .....	Phillips pan head
FH .....	flat head	PTH .....	Phillips truss head
GA .....	gauge	PTO .....	power take off
HF .....	hex flange	RH .....	right hand
HH .....	hex head	SFH .....	slotted fillister head
HHF .....	hex head flange	SHH .....	slotted hex head
HLH .....	hex lag head	SQH .....	square head
HJ .....	hex jam	SHWH .....	slotted hex washer head
HOC .....	height-of-cut	SPH .....	slotted pan head
HS .....	hex socket	SRH .....	slotted round head
HSBH .....	hex socket button head	STD .....	standard
HSFH .....	hex socket flat head	TAP .....	self tapping
HSH .....	hex socket head	TTH .....	Torx truss head
HWH .....	hex washer head	WH .....	wing head
HWHTF .....	hex washer head thread forming		

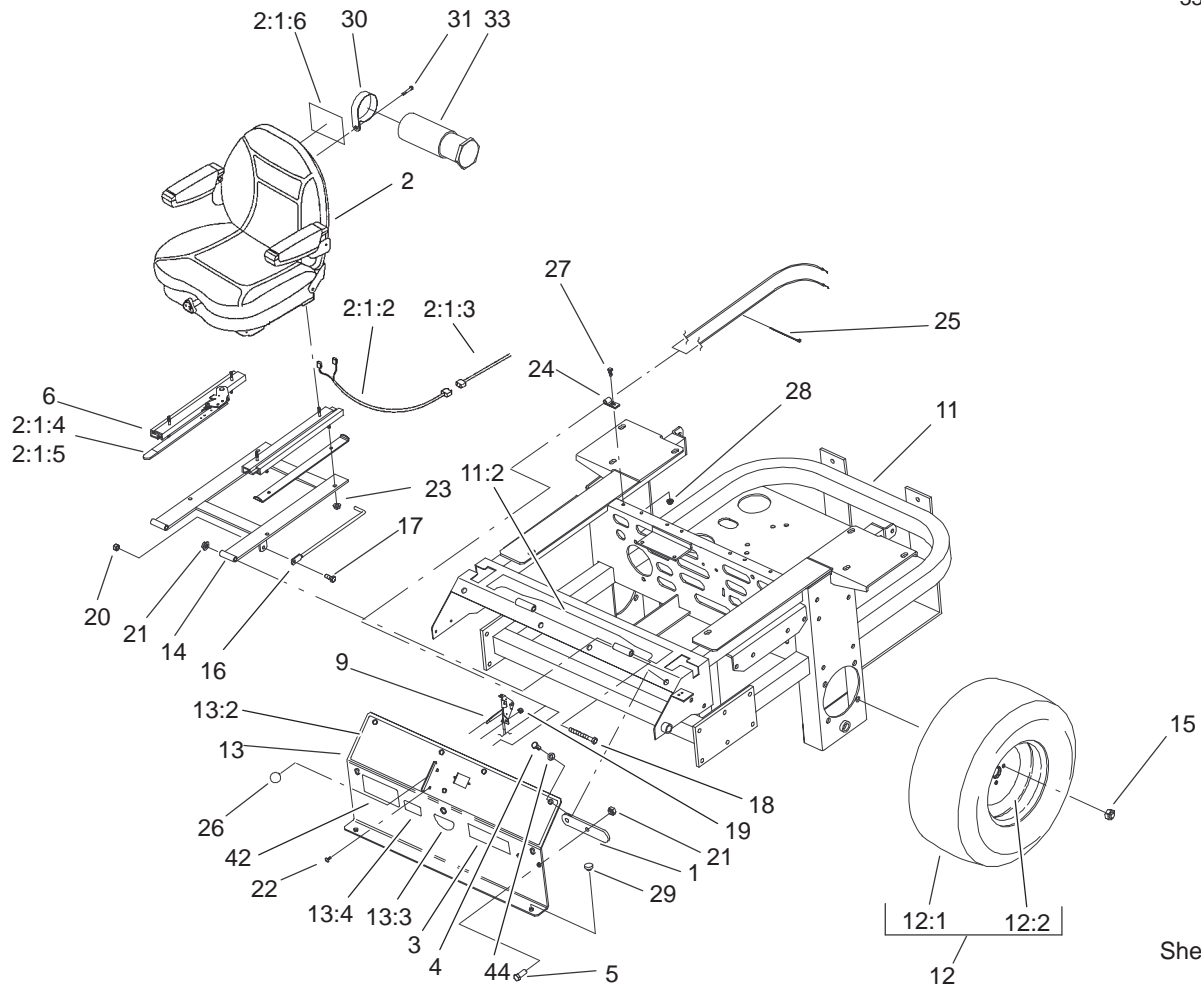


Sheet No.: 2

## Front Frame Assembly

Ref. No.	Part No.	Qty.	Description	Ref. No.	Part No.	Qty.	Description
1	104-5133	1	Frame ASM	22	323-9	2	Screw-HH
1:2	1-633818	1	Decal-Warning	23	98-5975	12	Washer-Belleville
1:3	1-811010	2	Plug	24	3290-357	15	Nut-Flange, Lock
1:4	302-19	5	Fitting-Grease	25	323-6	3	Screw-HH
3	100-6509	1	Floorpan ASM	26	323-7	12	Screw-HH
3:2	1-633553	3	Pad-Antiskid	27	3256-29	4	Washer-Flat
3:3	1-633766	1	Decal-Check	28	1-633096	2	Rod-Lift, Deck
3:4	98-5954	1	Decal-Missing, Cover	29	3217-11	8	Nut-Hex
3:5	1-633737	1	Decal-Z-Master	30	1-633441	4	Swivel-Deck Mount, Rear
5	1-632324-03	1	Lever-Lift	31	3256-7	2	Washer-Flat
6	1-633295	1	Grip-Lever, Lift	32	1-633064	2	Spring-Support, Deck
7	1-632219-03	1	Arm-Lift, Deck	33	3218-6	4	Nut-Jam
8	1-633325	1	Spring-Compression	34	3256-7	2	Washer-Flat
9	3256-24	1	Washer-Flat	36	1-633706	1	Decal-Height, Deck
10	3296-39	5	Nut-Lock, NI	37	1-633345	1	Decal-Height, Deck
11	32151-103	5	Ring-Snap				
12	1-633068	2	Arm-Lift, Deck				
13	3272-10	2	Pin-Cotter				
14	283-2	2	Pin-Clevis				
15	1-633889-01	1	Plate-Lift, Deck				
16	1-632899-01	1	Plate-Lift, Deck				
17	1-633082	1	Bushing-Lever, Lift				
18	1-633080	1	Bushing-Lever, Lift				
19	323-13	1	Screw-HH				
20	1-633097	1	Pin-Hitch w/Lanyard				
21	1-806005	1	Pin-Hair				





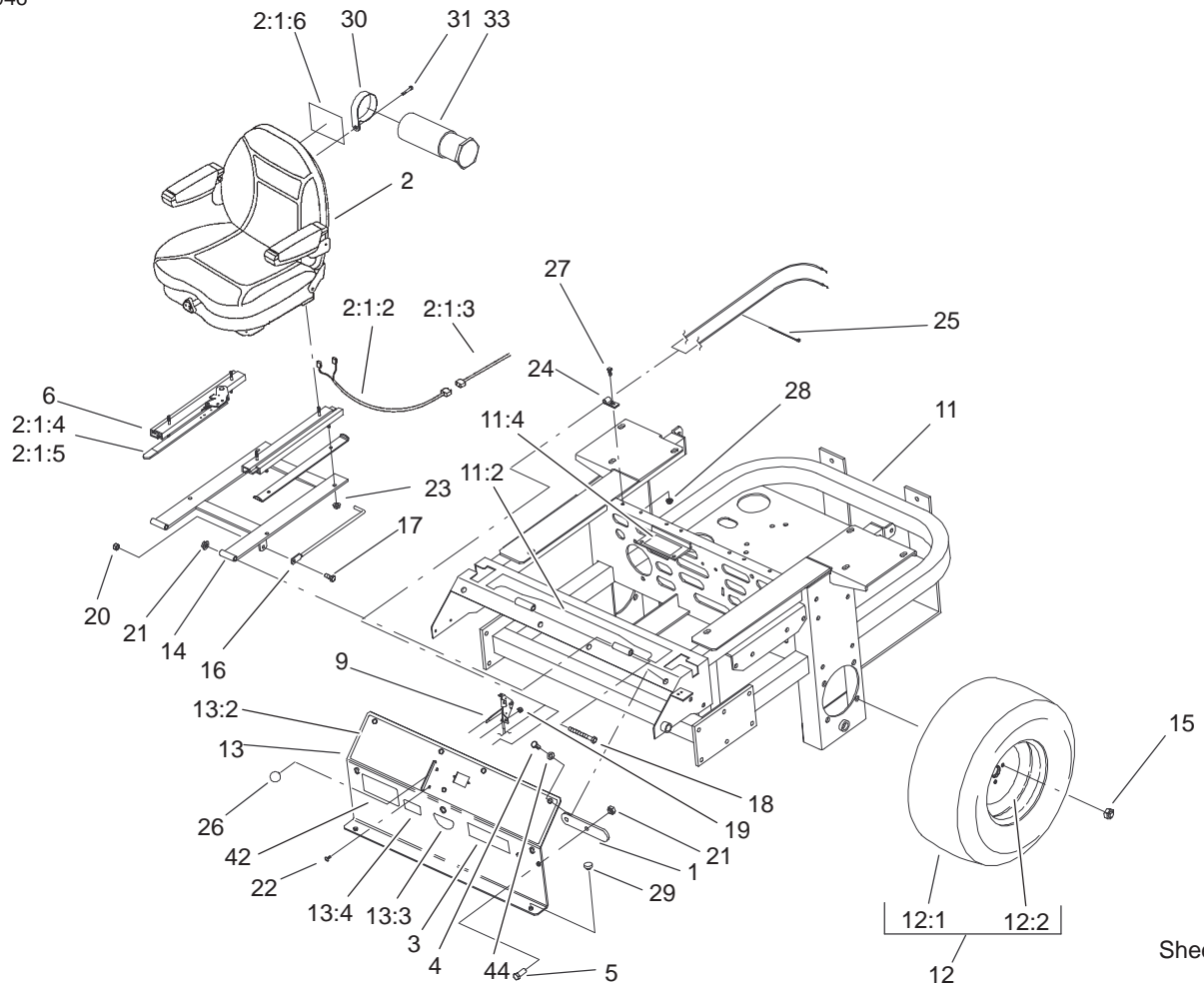
Sheet No.: 4

## Rear Frame and Wheel Assembly

Ref. No.	Part No.	Qty.	Description
1	1-633964-03	1	Stop-Brake, Park
2	74210	1	Seat-Suspension, High
☆2:1		1	Kit-Suspension, Seat
2:1:2	1-633840	1	Harness-Wiring, Seat
2:1:3	1-303335	1	Tie-Plastic
2:1:4	1-633872-03	2	Stop-Seat
2:1:5	1-653282-03	2	Stop/Spacer-Seat
2:1:6	99-4693	1	Decal-Toro
*2:99	1-631842	1	Kit-Pad, Armrest
*2:99	1-631843	1	Kit-Boot
*2:99	1-631844	1	Arm Kit ASM
*2:99	1-631845	1	Pan ASM
*2:99	1-631846	1	Kit-Damper
*2:99	1-631847	1	Kit-Roller
*2:99	1-631848	1	Kit-Spring & Cable
*2:99	1-631849	1	Kit-Knob & Shaft
*2:99	1-643281	1	Switch-Seat
4	322-3	6	Screw-HH
5	323-6	2	Screw-HH
6	1-643255	1	Track-Seat, 4"
9	1-633696	1	Cable-Throttle
10	1-603336	1	Control-Choke
11	100-4261	1	Rear Frame ASM
11:2	103-0245	1	Decal-Console, Top
12	1-633970	2	Wheel & Tire ASM

Ref. No.	Part No.	Qty.	Description
12:1	1-633993	1	Tire
12:2	1-633992	1	Wheel
13	99-4623	1	Console ASM
13:2	100-4311	1	Decal-Panel, Control
13:3	103-0262	1	Decal-Valve, Fuel
13:4	98-4387	1	Decal-Protection, Ear
14	1-632187-03	1	Frame - Seat
15	242-50	8	Nut - Lug
16	1-633293	1	Rod-Holdup, Seat
17	322-5	1	Screw-HH
18	323-21	2	Screw-HH
19	3296-2	2	Nut-Lock
20	3296-29	1	Nut-Lock
21	3296-39	4	Nut-Lock, NI
22	1-807513	2	Bolt-CARR
23	32128-20	4	Nut-HF
24	1-513762	1	Clip-Loom
25	1-303335	1	Tie-Plastic
26	1-513592	1	Knob-Ball, Red
27	321-4	1	Screw-HH
28	32128-33	1	Nut-HF
29	1-513658	2	Bumper-Catcher, Grass
30	2412-133	2	R-Clamp
31	32144-70	2	Screw-HH
33	74-0720	1	Tube-Manual

☆ Not serviced  
\* Not illustrated

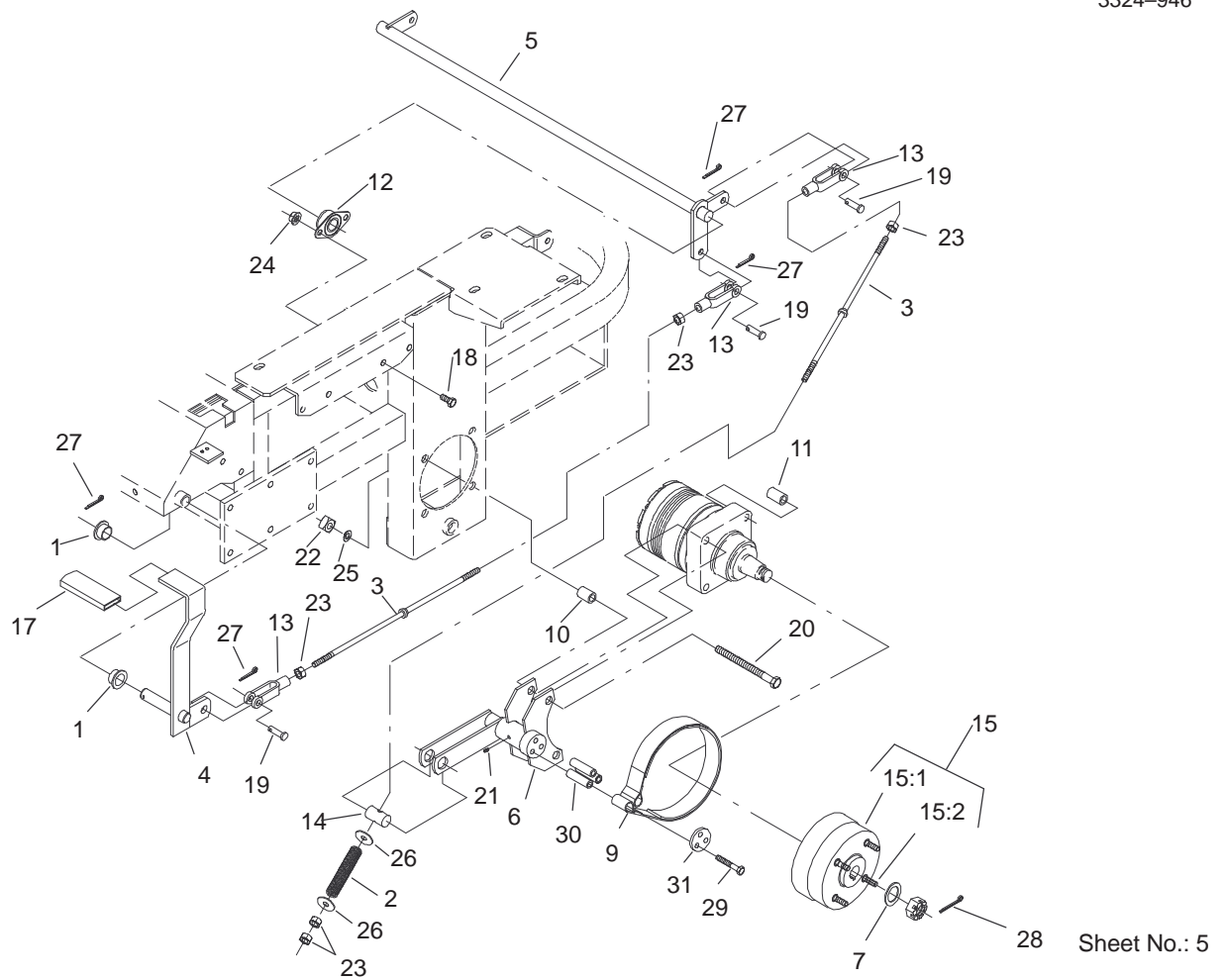


Sheet No.: 4

## Rear Frame and Wheel Assembly

Ref. No.	Part No.	Qty.	Description
42	104-7787	1	Decal - Z287I
44	3256-23	6	Washer-Flat
47	1-633872-03	2	Stop-Seat

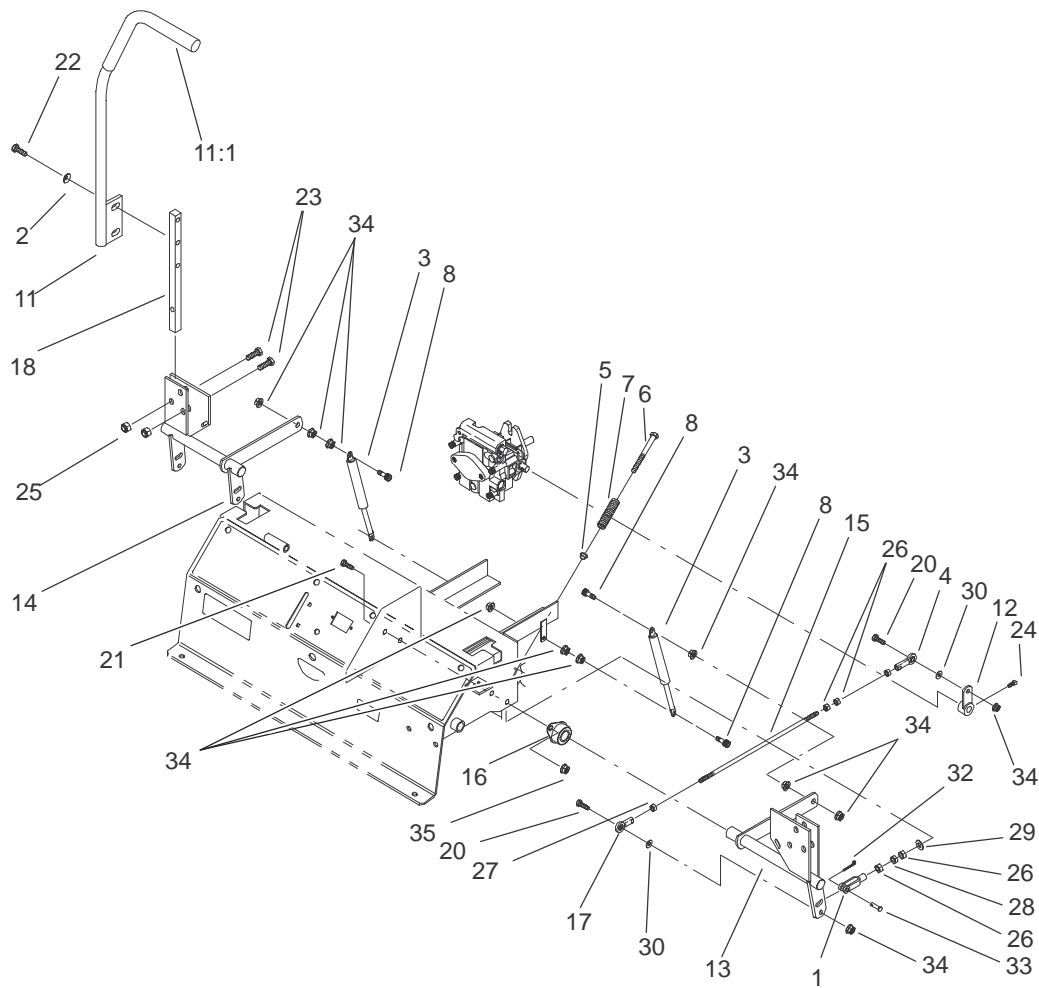
Ref. No.	Part No.	Qty.	Description



Sheet No.: 5

## Brake and Wheel Hub Assembly

Ref. No.	Part No.	Qty.	Description	Ref. No.	Part No.	Qty.	Description
1	1-513140	2	Bearing-Control	27	3272-10	7	Pin-Cotter
2	1-633454	2	Spring-Brake	28	1-806800	2	Pin-Cotter
3	1-633477	3	Rod-Brake	29	322-9	6	Screw-HH
4	1-634500	1	Brake Lever/Grip ASM	30	103-0384	6	Spacer
5	1-632217-03	1	Shaft-Brake	31	103-0374	2	Retainer-Band, Brake
6	103-0354-03	2	Bracket-Brake				
7	1-523157	2	Washer-Spacer				
9	103-0355	2	Band-Brake				
10	1-633060	4	Spacer-Wheel, Short				
11	1-633062	4	Spacer-Wheel, Long				
12	1-633102	2	Bearing-Flange, Side				
13	1-633131	4	Yoke-Linkage, Brake				
14	1-633144	2	Pin-Trunion				
15	103-0590	2	Hub-Wheel w/Studs				
15:1	103-0589	1	Hub-Wheel				
15:2	1-633926	4	Stud-Heel				
17	1-633268	1	Grip-Lever, Brake				
18	323-4	4	Screw-HH				
19	1-808285	4	Pin-Clevis				
20	325-20	8	Screw-HH				
21	302-19	2	Fitting-Grease				
22	103-0131	8	Nut-Square				
23	3219-3	8	Nut-HH				
24	3290-357	4	Nut-Flange, Lock				
25	3253-7	8	Washer-Lock				
26	3256-4	4	Washer-Flat				



Sheet No.: 6

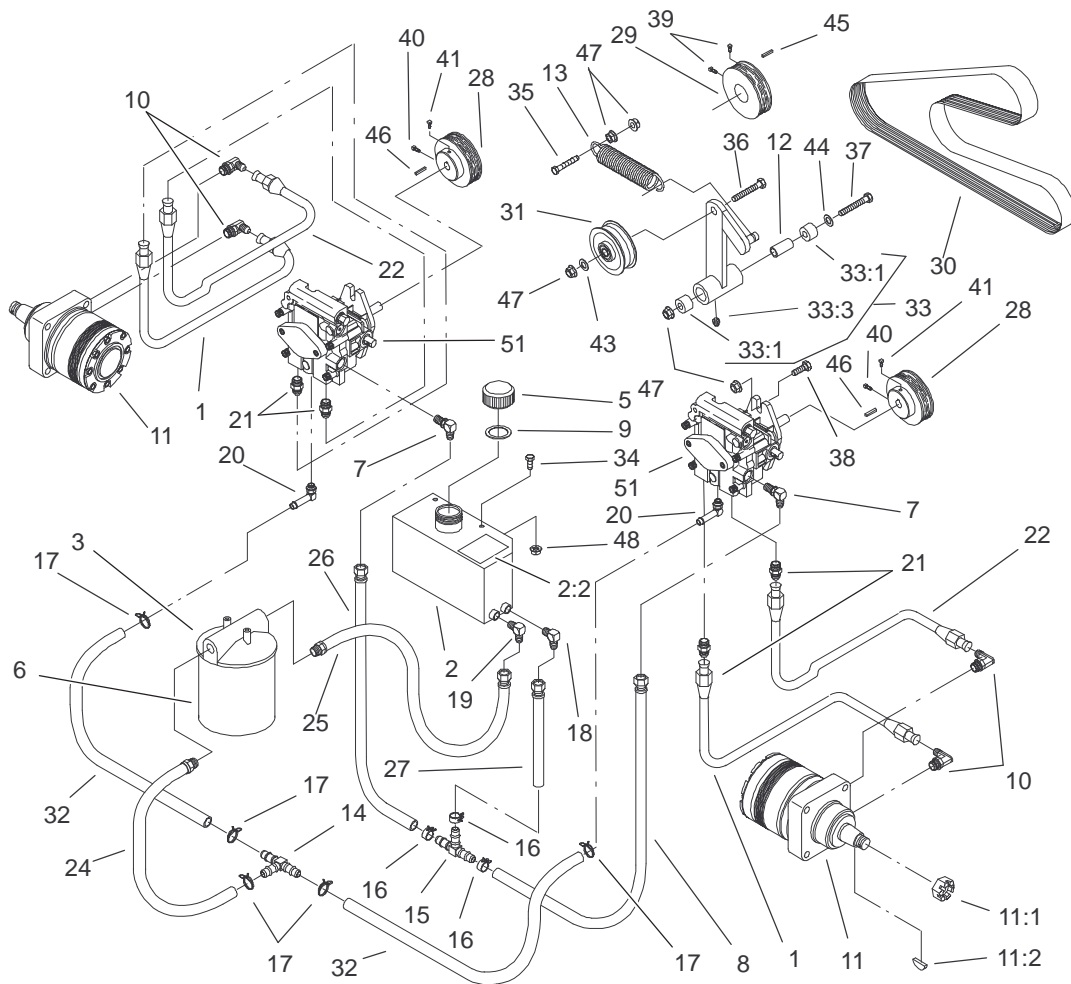
## Control Panel Assembly

Ref. No.	Part No.	Qty.	Description
1	1-303105	2	Yoke-Adjustable
2	98-5975	4	Washer-Belleville
3	1-523027	2	Damper-Control
4	1-543017	2	Balljoint-RH
5	1-603735	2	Bushing-Flanged, Nylon
6	1-603737	2	Bolt-Return, Neutral
7	1-603807	2	Spring-Return, Neutral
8	1-403180	4	Screw-HH
11	103-0632	1	RH Lever/Grip ASM
11:1	1-633257	1	Grip-Control, Motion
12	1-632208-03	2	Arm-Control, Pump
13	1-642319	1	Control-Motion, LH
14	1-642320	1	Control-Motion, RH
15	1-633153	2	Linkage-Pump/Lever
16	1-633102	4	Bearing-Flange, Side
17	1-633152	2	Balljoint-Thread, LH
18	103-0407	2	Arm-Shaft, Control
20	322-6	4	Screw-HH
21	323-4	8	Screw-HH
22	323-6	4	Screw-HH
23	323-9	6	Screw-HH
24	1-803022	2	Screw
25	3296-39	6	Nut-Lock, NI
26	3219-2	10	Nut-Hex

Ref. No.	Part No.	Qty.	Description
27	3220-20	2	Nut-Jam
28	3220-2	2	Nut
29	3256-2	2	Washer-Flat
30	3256-3	4	Washer-Flat
32	3272-5	2	Pin-Cotter
33	1-808280	2	Pin-Clevis
34	32128-20	16	Nut-HF
35	3290-357	8	Nut-Flange, Lock
*37	103-0631	1	LH Lever/Grip ASM

\* Not illustrated





Sheet No.: 7

## Hydraulic System Assembly

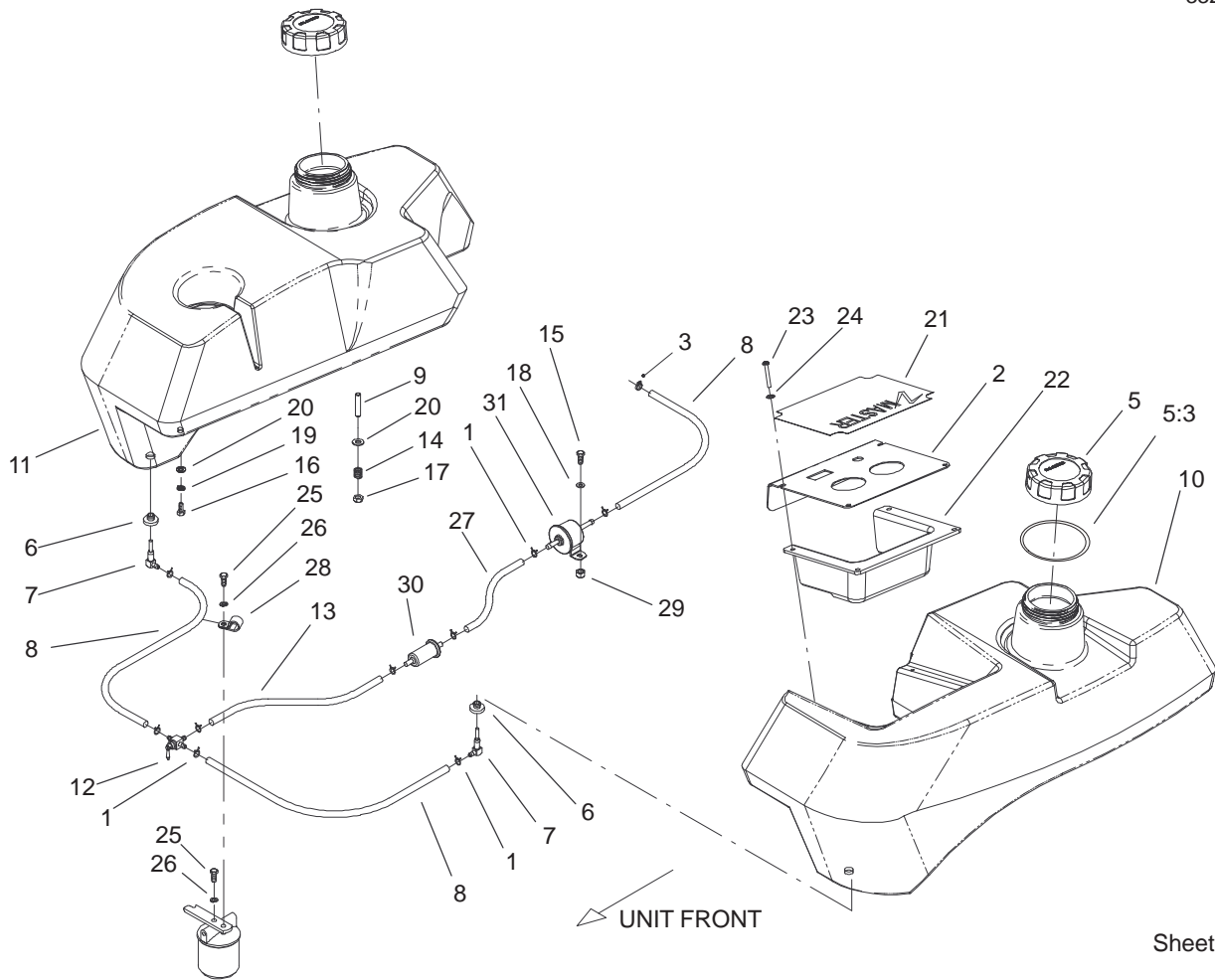
Ref. No.	Part No.	Qty.	Description	Ref. No.	Part No.	Qty.	Description
1	1-633776	2	Hose—Upper	19	1-603988	1	Fitting—Elbow
2	99-4625	1	Hydraulic Tank ASM	20	1-603989	2	Fitting—Elbow
2:2	1-523552	1	Decal—Tank, Hydraulic	21	1-603990	4	Fitting—Straight
3	1-513006	1	Filter—Head	22	1-633777	2	Hose—Lower
5	1-513167	1	Cap—Reservoir, Hydraulic	24	1-632281	1	Hose ASM
6	1-633750	1	Filter—Hydraulic	25	1-632282	1	Hose ASM
6	1-633752	1	Filter—Winter, Hydraulic	26	1-632285	1	Hose ASM
7	1-513840	2	Fitting—90°	27	1-632286	1	Hose ASM
8	1-522217	1	Low Pressure Hose ASM	28	1-633568	2	Sheave
9	1-523103	1	Gasket—Cap, Tank	29	1-633567	1	Sheave
10	1-633786	4	Fitting—90°	30	1-633749	1	Belt—Drive, Pump
11	1-523328	2	Motor—Wheel	31	1-633167	1	Sheave—Idler
11:1	1-809036	1	Nut—HH	32	1-633335	2	Hose—Pressure, Low
11:2	1-807020	1	Key—Woodruff	33	1-634277	1	Bearing Arm ASM
*11:99	1-000099	1	Kit—Seal	33:1	1-513034	2	Sleeve—Bearing
*11:99	1-000139	1	Kit—Bearing	33:3	302-40	1	Fitting—Grease
12	1-603384	1	Bushing—Pivot, Idler	34	321-4	2	Screw—HH
13	1-603413	1	Spring—Extension	35	323-8	1	Screw—HH
14	1-603721	1	Fitting—Tee, Hose	36	323-9	1	Screw—HH
15	1-603722	1	Fitting—Tee, Hose	37	1-800805	1	Screw—HH
16	1-603826	3	Clamp—Hose	38	323-7	4	Screw—HH
17	1-603827	5	Clamp—Hose	39	1-803022	2	Screw
18	1-603987	1	Fitting—Elbow	40	3242-6	2	Screw—Set, SQH
				41	3242-4	2	Screw—Set, SQH
				43	3256-3	1	Washer—Flat
				44	3256-4	1	Washer—Flat

\* Not illustrated









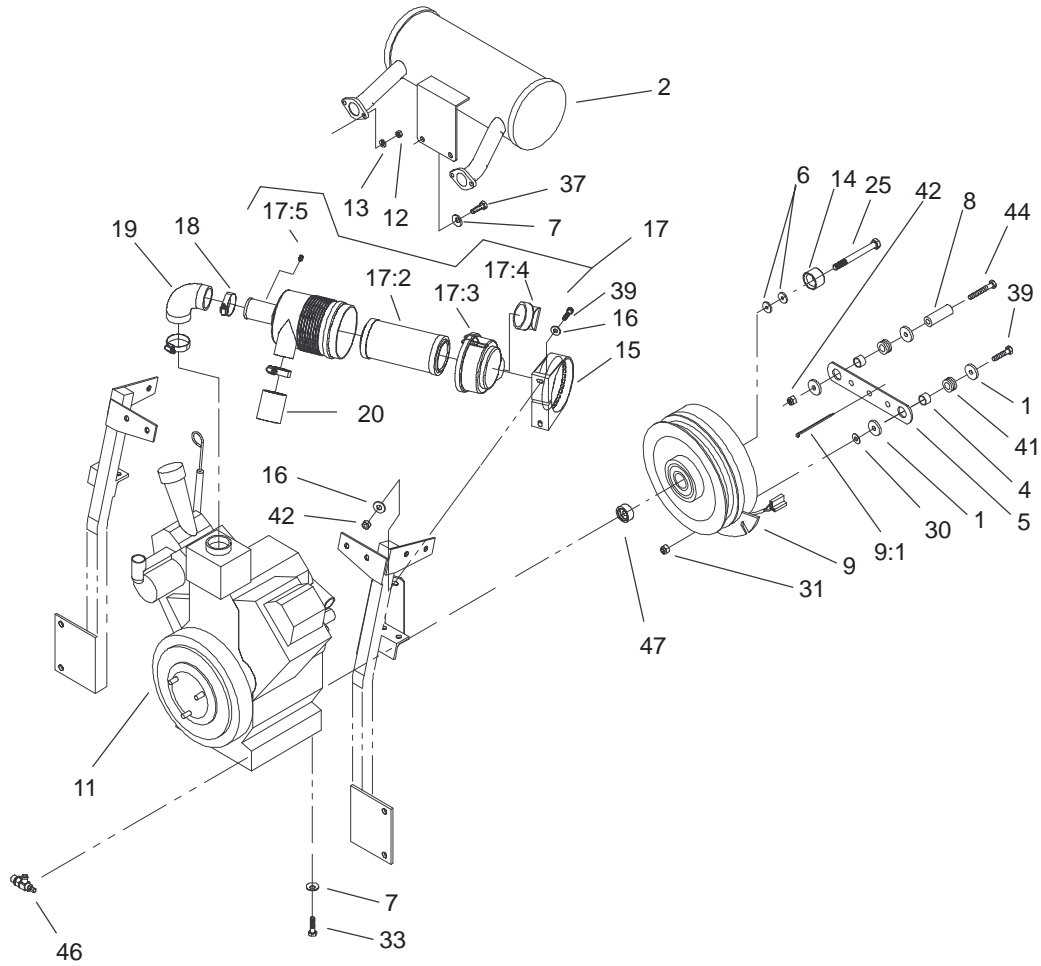
Sheet No.: 13

## Tank and Fuel Lines Assembly

Ref. No.	Part No.	Qty.	Description
1	1-303077	9	Clamp-Line, Fuel
2	99-4617-03	1	Panel-Control
3	1-303308	1	Clamp-Hose
5	88-3980	2	Gas Cap ASM
5:3	88-4010	1	Gasket-Cap, Gas
6	1-513645	2	Bushing-Valve, Fuel
7	1-543277	2	Elbow-Tank, Fuel
8	1-543456	2	Hose-Fuel
9	1-633023	6	Stud
10	104-5100	1	Tank-Fuel, LH
11	104-5101	1	Tank-Fuel, RH
12	1-633347	1	Valve-Fuel
13	1-303426	1	Hose-Fuel Line
14	1-633349	6	Spring-Tank, Fuel
15	321-4	2	Screw-HH
16	322-3	2	Screw-HH
17	3296-47	6	Nut-Lock, NI
18	3256-2	2	Washer-Flat
19	3253-4	2	Washer-Lock
20	3256-23	8	Washer-Flat
21	99-4612	1	Decal-Control Panel
22	99-4940	1	Shield-Panel, Control
23	1-803071	4	Screw
24	1-303435	4	Washer-Spring
25	321-3	2	Screw-HH
26	3253-3	2	Washer-Lock

Ref. No.	Part No.	Qty.	Description
27	1-643270	1	Hose-Fuel
28	1-513762	1	Clip-Loom
29	32128-33	2	Nut-HF
‡30	49019-1055	1	Filter-Fuel, Kawasaki
‡31	49040-2065	1	Pump-Fuel, Kawasaki

‡ Obtain locally.



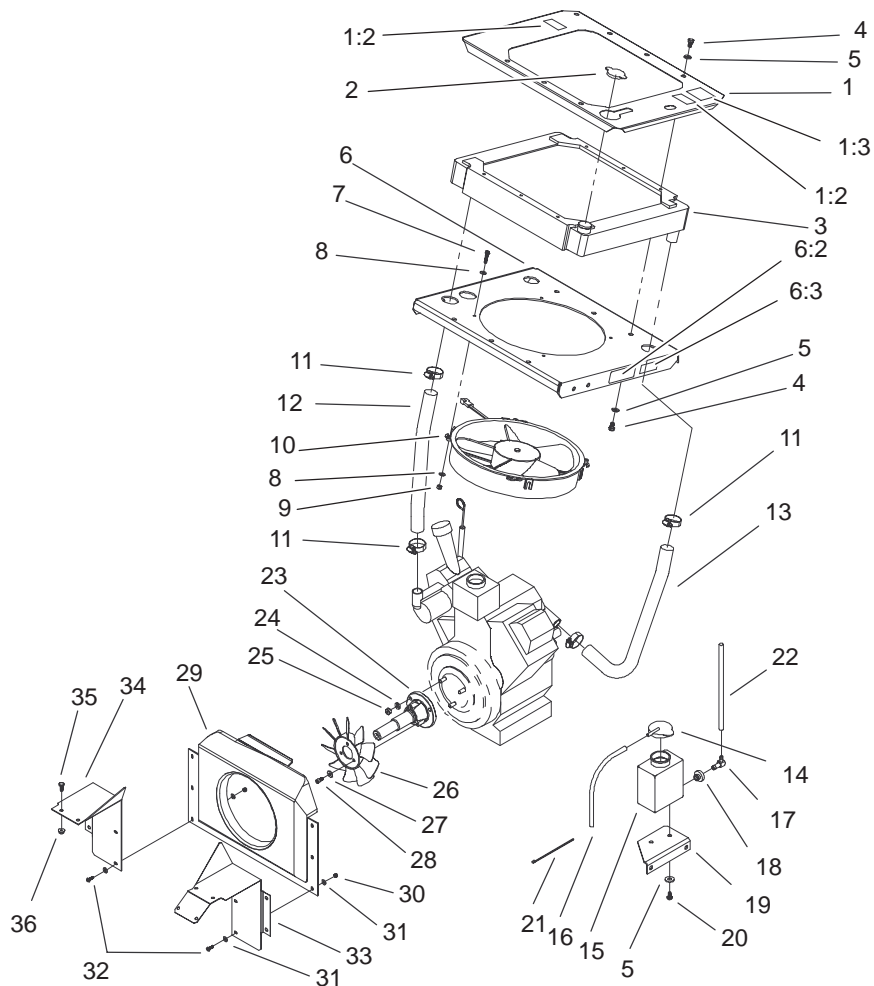
Sheet No.: 14

## Engine Assembly

Ref. No.	Part No.	Qty.	Description
1	1-613235	4	Washer
2	103-0059	1	Muffler
4	1-633545	2	Spacer-Grommet
5	1-633543-03	1	Strap-Clutch, Brake
6	1-603610	2	Washer-Spring
7	1-303334	6	Washer-Spring
8	1-643008	1	Spacer-Anchor, Clutch
9	103-0665	1	Clutch ASM
9:1	1-303335	1	Tie-Plastic
☆11		1	Engine-Kawasaki, Fd750d-As03
12	33013-00	4	Nut-Hex
13	3253-3	4	Washer-Lock
14	103-0152	1	Keeper, Clutch
15	95-5806	1	Bracket-Mounting, Air Cleaner
16	3256-3	4	Washer-Flat
17	95-5805	1	Air Cleaner ASM
17:2	93-2195	1	Filter
17:3	94-3652	1	Cover ASM
17:4	94-1414	1	Valve-Vacuator
17:5	285-17	1	Plug-Pipe
18	1-643009	2	Clamp-Hose
19	103-0104	1	Hose, Air Cleaner/Carb
20	1-643084	1	Hose-Inlet, Air

Ref. No.	Part No.	Qty.	Description
25	48-7570	1	Screw - HH
30	3256-3	1	Washer-Flat
31	32128-20	1	Nut-HF
33	33115-025	4	Screw-HH
37	33115-020	2	Screw-HH
39	322-6	3	Screw-HH
41	1-633630	2	Grommet-Brake
42	3296-29	3	Nut-Lock
44	322-38	1	Screw-HH
46	103-0161	1	Valve, Oil Drain
47	103-0114	1	Spacer-Clutch

☆ Not serviced

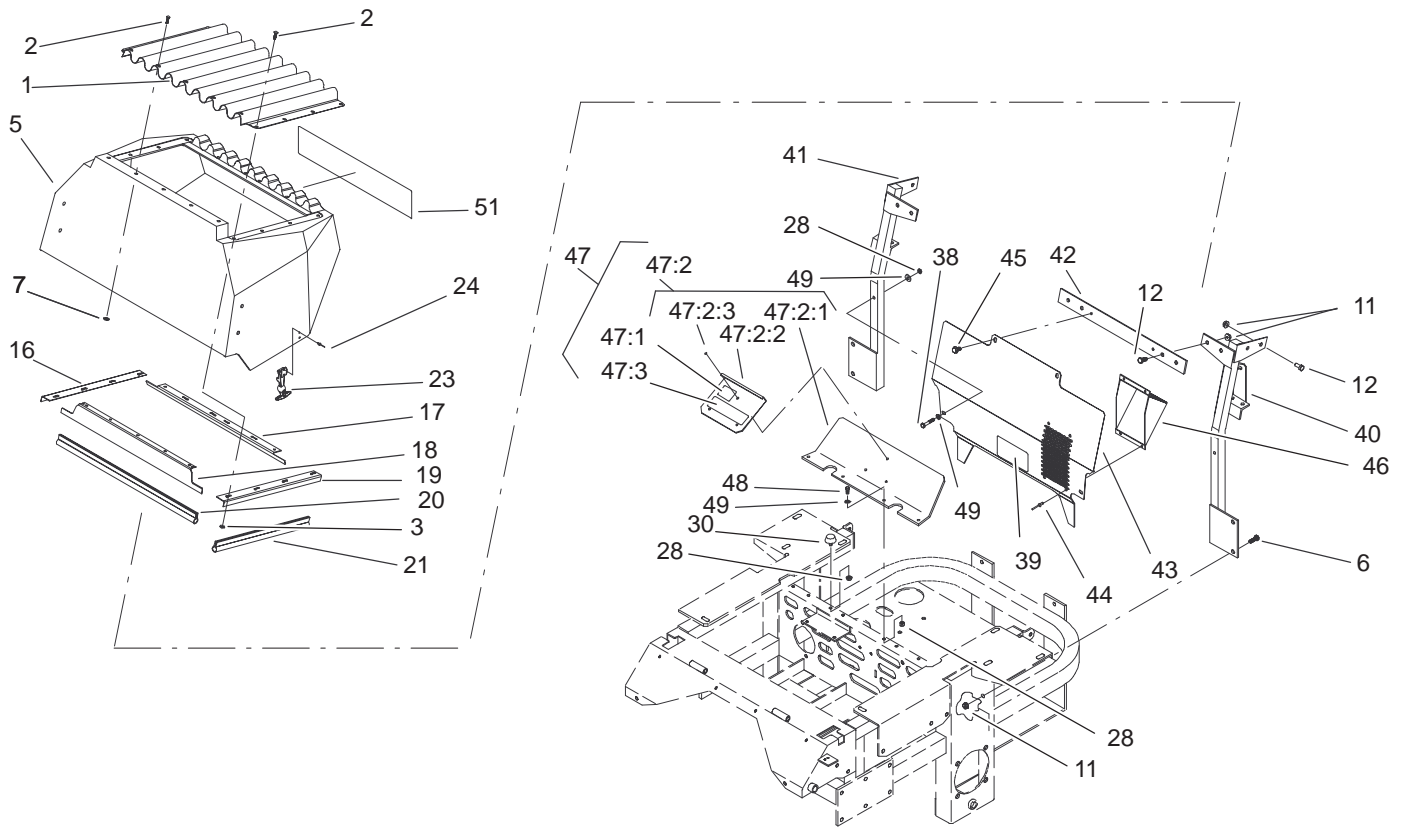


Sheet No.: 15

### Engine Assembly (Continued)

Ref. No.	Part No.	Qty.	Description
1	99-4645	1	Radiator Trim Plate ASM
1:2	65-2690	2	Decal-Surface, Hot
1:3	104-2449	1	Decal-Coolant, Havoline
2	1-643161	1	Cap-Radiator
3	103-1046	1	Radiator, Horiz Mount
4	322-1	12	Screw-HH
5	3256-23	14	Washer-Flat
6	99-4644	1	Fan Mounting Plate ASM
6:2	1-643253	2	Decal-Fan, Radiator
6:3	65-2690	2	Decal-Surface, Hot
7	1-803067	4	Screw
8	3256-16	8	Washer-Flat
9	1-804254	4	Nut
10	1-633831	1	Fan
11	1-633989	4	Clamp-Hose
12	103-0074	1	Hose, Radiator Inlet
13	103-0075	1	Hose, Radiator Outlet
14	1-643164	1	Cap-Tank, Overflow
15	1-643163	1	Tank-Overflow
16	1-643131	1	Hose
17	1-643259	1	Fitting-Elbow
18	1-513645	1	Bushing-Valve, Fuel
19	1-643024-03	1	Bracket, Bottle

Ref. No.	Part No.	Qty.	Description
20	321-2	2	Screw-HH
21	1-303287	3	Tie-Plastic
22	1-643129	1	Hose
23	1-633851	1	Extension-Crankshaft
24	3253-4	3	Washer-Lock
25	33014-00	3	Nut-Hex
26	1-633869	1	Fan-Pump, Cooling
27	3256-22	3	Washer-Flat
28	1-809095	3	Hshcs, 1/4-20x1/2
29	103-0098	1	Shroud, Hydraulic Fan
30	3296-2	6	Nut-Lock
31	3256-14	12	Washer-Flat
32	3290-500	6	Screw-PPH
33	103-0895-03	1	Shield-LH
34	1-633794-03	1	Baffle-Engine Shield, RH
35	321-4	6	Screw-HH
36	32128-33	6	Nut-HF



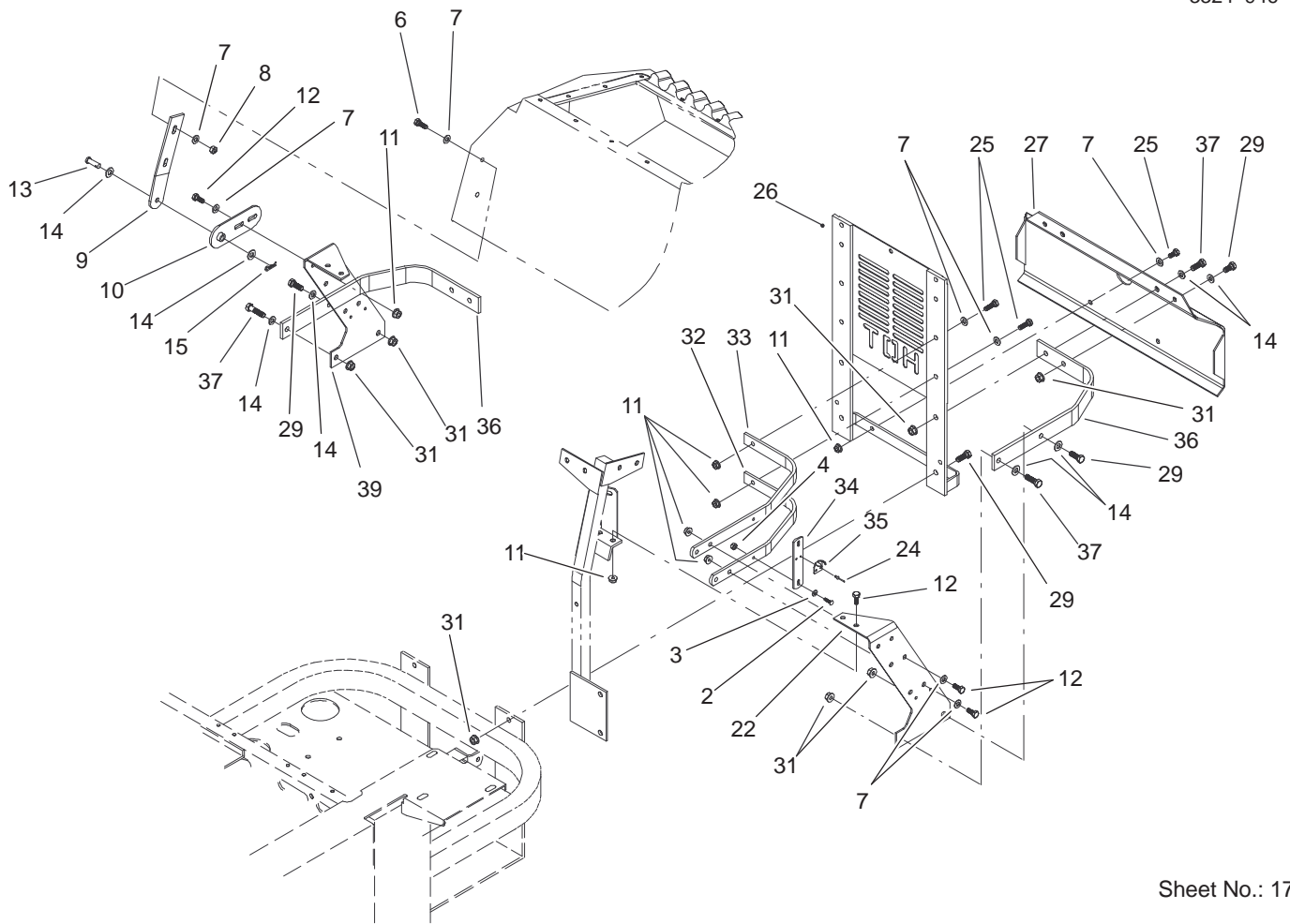
Sheet No.: 16

## Rear Hood Assembly

Ref. No.	Part No.	Qty.	Description
1	1-633864-03	1	Screen-Radiator
2	1-803072	17	Rivet-Bulbex
3	3256-14	12	Washer-Flat
5	104-5136	1	Hood
6	322-4	4	Screw-HH
7	1-303435	5	Washer-Spring
11	32128-20	12	Nut-HF
12	322-3	8	Screw-HH
16	1-643106-03	1	Angle-Radiator, RH
17	1-643108-03	1	Angle-Radiator, Bottom
18	1-643107-03	1	Angle-Radiator, Top
19	1-643105-03	1	Angle-Radiator, LH
20	1-643187	2	Seal-Trim
21	1-643186	2	Seal-Trim
23	1-643188	2	Latch-Rubber
24	923786	4	Rivet-Pop
28	3296-42	6	Nut-Lock NI
29	32128-33	2	Nut-HF
30	1-523420	2	Bumper
38	321-9	2	Screw-HH
39	1-643339	1	Decal-Routing, Belt
40	103-0107-03	1	Brace-Radiator, LH
41	1-632985-03	1	Brace-Radiator, RH
42	1-633878-03	1	Crossbar
43	1-643087-03	1	Deflector-Air

Ref. No.	Part No.	Qty.	Description
44	3269-3	4	Rivet-Pop
45	49-2040	2	Screw-Tapping
46	103-0110-03	1	Plenum-Intake, Air
47	1-644276	1	Shield ASM
47:1	1-633462	1	Decal-Important
47:2	1-634308	1	Shield/Lift ASM
47:2:1	1-633298	1	Shield-Engine
47:2:2	1-633300-03	1	Lift-Shield
47:2:3	1-803035	3	Rivet-Pop
47:3	103-0368	1	Decal-Devices, Rotating
48	321-4	4	Screw-HH
49	3256-2	6	Washer-Flat
51	99-4621	1	Decal-Z Master Liquid Cooled



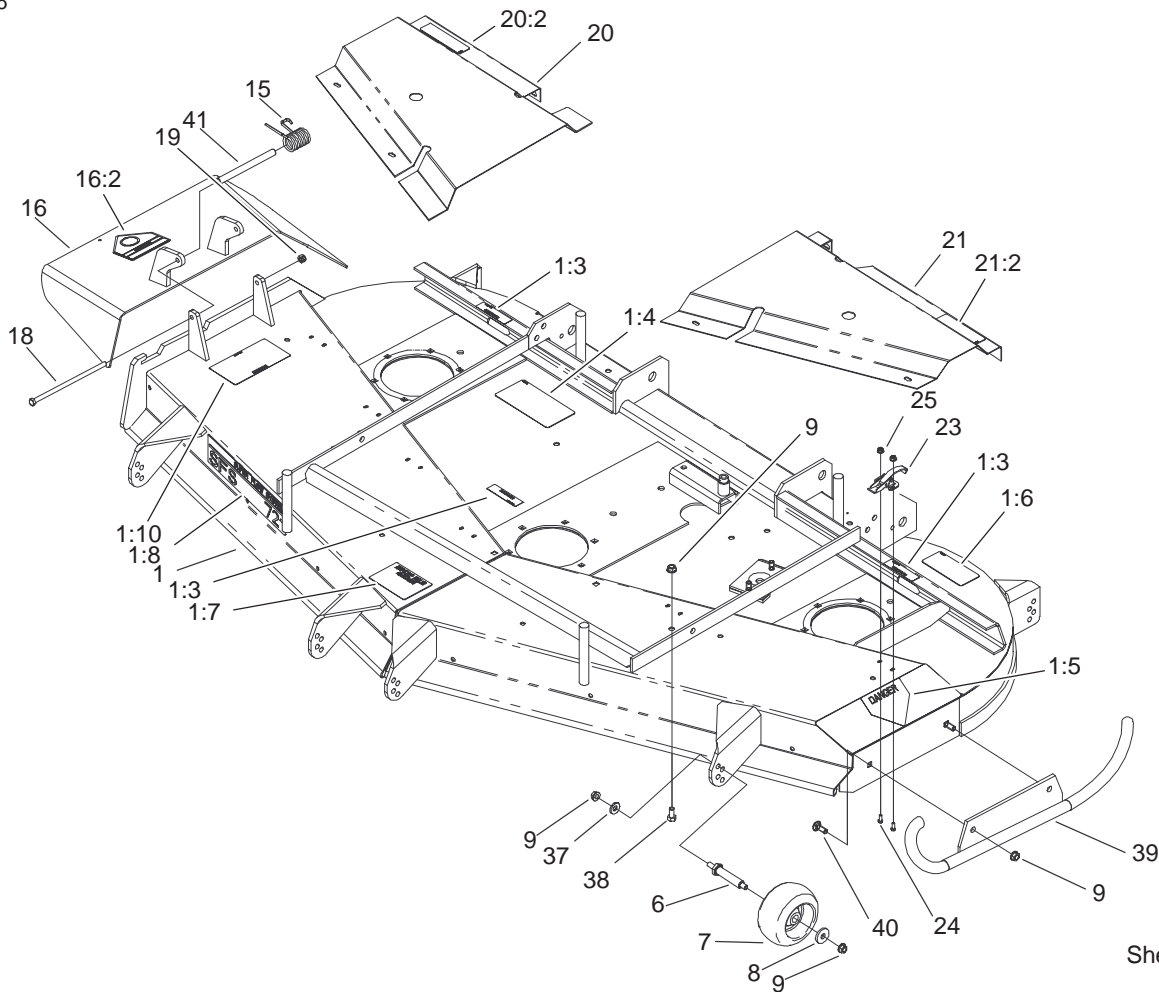


Sheet No.: 17

## Rear Bumper Assembly

Ref. No.	Part No.	Qty.	Description
2	1-803069	4	Screw
3	3256-14	4	Washer-Flat
4	3296-2	4	Nut-Lock
6	322-4	4	Screw-HH
7	3256-23	21	Washer-Flat
8	3296-29	4	Nut-Lock
9	1-633885-03	2	Plate-Hinge, Hood
10	1-632986-03	2	Shackle-Hinge
11	32128-20	25	Nut-HF
12	322-3	16	Screw-HH
13	1-808285	2	Pin-Clevis
14	3256-24	12	Washer-Flat
15	1-806003	2	Pin-Cotter, Hair
22	103-0896-03	1	Plate-Side, LH
24	923786	4	Rivet-Pop
25	322-5	9	Screw-HH
26	1-632873-03	1	Mount-Radiator, Rear
27	1-633886-03	1	Guard-Bumper
29	323-6	6	Screw-HH
31	3290-357	10	Nut-Flange, Lock
32	1-633897-03	2	Rib-Top
33	1-633898-03	2	Rib-Bottom
34	1-633877-03	2	Bar-Latch Hook
35	1-643189	2	Keeper-Rubber Latch
36	1-633896-03	2	Bar-Radiator Mount Frame

Ref. No.	Part No.	Qty.	Description
37	323-7	4	Screw-HH
39	103-0897-03	1	Plate-Side, RH

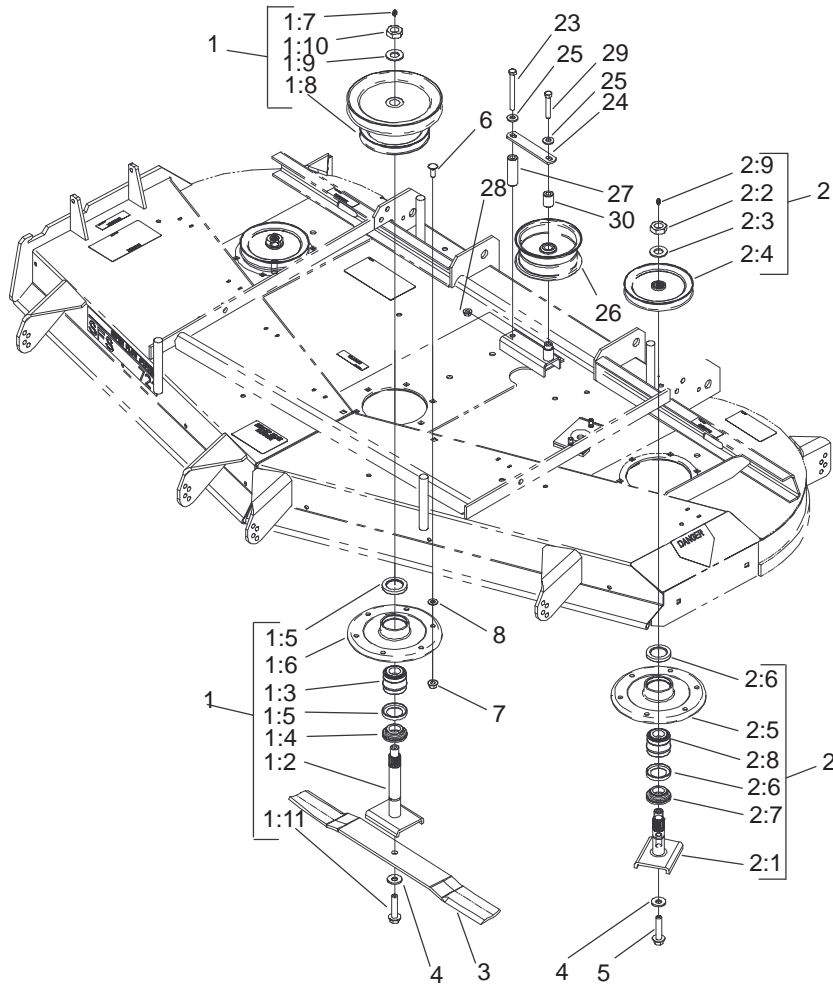


Sheet No.: 42

## Deck, Deflector and Roller Assembly

Ref. No.	Part No.	Qty.	Description
1	104-7772	1	Deck ASM
1:3	98-5954	3	Decal-Missing, Cover
1:4	99-4686	1	Decal-Routing, Belt
1:5	43-8480	1	Decal-Danger
1:6	93-7818	1	Decal-Torque, Blade
1:7	98-3798	1	Decal-Wheel, Gage
1:8	98-5995	1	Decal-Deck
1:10	66-1340	1	Decal-Danger
6	99-2842	6	Spacer-Wheel
7	68-2730	6	Gage-Wheel
8	1-373034	6	Washer-Swivel
9	3290-357	18	Nut-Flange, Lock
15	104-8554	1	Spring-Torsion
16	104-7763	1	Deflector ASM
16:2	54-9220	1	Decal-Danger
18	322-50	1	Screw-Cap
19	3296-29	1	Nut-Lock
20	100-6527	1	RH Cover w/Decal ASM
20:2	67-5360	1	Decal-Danger
21	99-2623	1	LH Cover w/Decal ASM
21:2	67-5360	1	Decal-Danger
23	249-21	4	Clamp-Slotted
24	3290-321	8	Screw-HWH
25	32128-17	8	Nut-Lock, Flange

Ref. No.	Part No.	Qty.	Description
37	98-5975	6	Washer-Belleville
38	323-4	4	Screw-HH
39	98-7923-01	1	Skid
40	3231-22	2	Screw-CARR
41	104-8555	1	Spacer-Deflector, Mounting



Sheet No.: 43

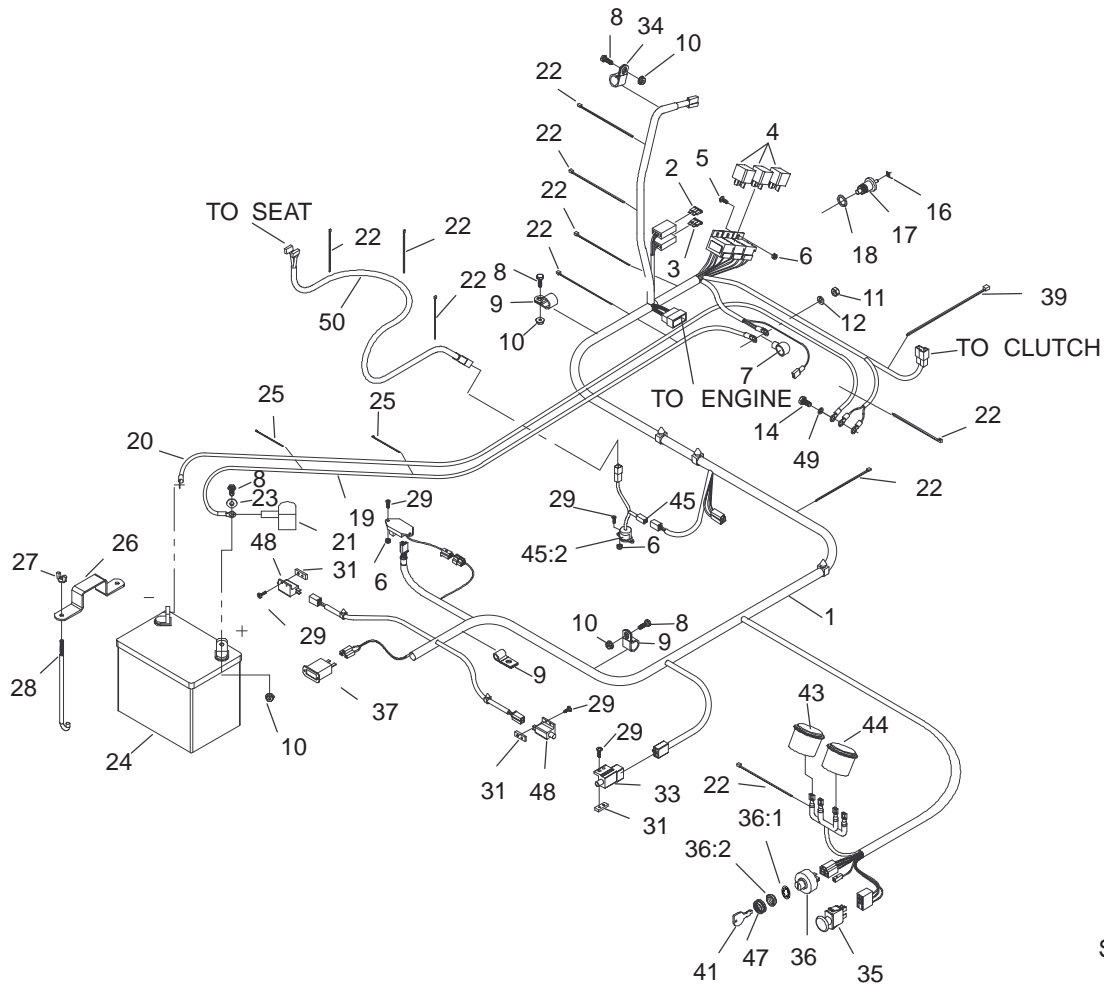
## Spindle and Pulley Assembly

Ref. No.	Part No.	Qty.	Description
1	100-4321	1	Middle Spindle ASM
1:2	51-3551	1	Shaft-Spindle
1:3	46-8530	1	Bearing ASM
1:4	27-0950	1	Spacer-Bearing, Spindle
1:5	253-139	2	Seal-Oil
1:6	61-4160	1	Housing-Spindle
1:7	302-2	1	Fitting-Grease
1:8	100-4309	1	Hub Pulley ASM
1:9	92-5836	1	Washer-Axle
1:10	32146-20	1	Nut-Jam
1:11	92-5816	1	Bolt-Blade
2	99-4642	2	Outer Spindle ASM
2:1	27-0920	1	Shaft-Spindle
2:2	32146-20	1	Nut-Jam
2:3	7-4150	1	Washer-Pinion
2:4	99-4615	1	Pulley & Hub
2:5	61-4160	1	Housing-Spindle
2:6	253-139	1	Seal-Oil
2:7	27-0950	1	Spacer-Bearing, Spindle
2:8	46-8530	1	Bearing ASM
2:9	302-2	1	Fitting-Grease
3	94-1861	3	Blade
4	1-513435	3	Washer-Spring
5	92-5816	2	Bolt-Blade

Ref. No.	Part No.	Qty.	Description
6	3231-22	18	Screw-CARR
7	32128-21	18	Nut-HF
8	3256-24	4	Washer-Flat
23	323-42	1	Screw-HH
24	1-653189	1	Plate-Guide, Belt
25	98-5975	2	Washer-Belleville
26	1-413099	1	Pulley-Idler
27	99-4659	1	Spacer-Bracket
28	3290-357	1	Nut-Flange, Lock
29	323-11	1	Screw-HH
30	1-653190	1	Spacer





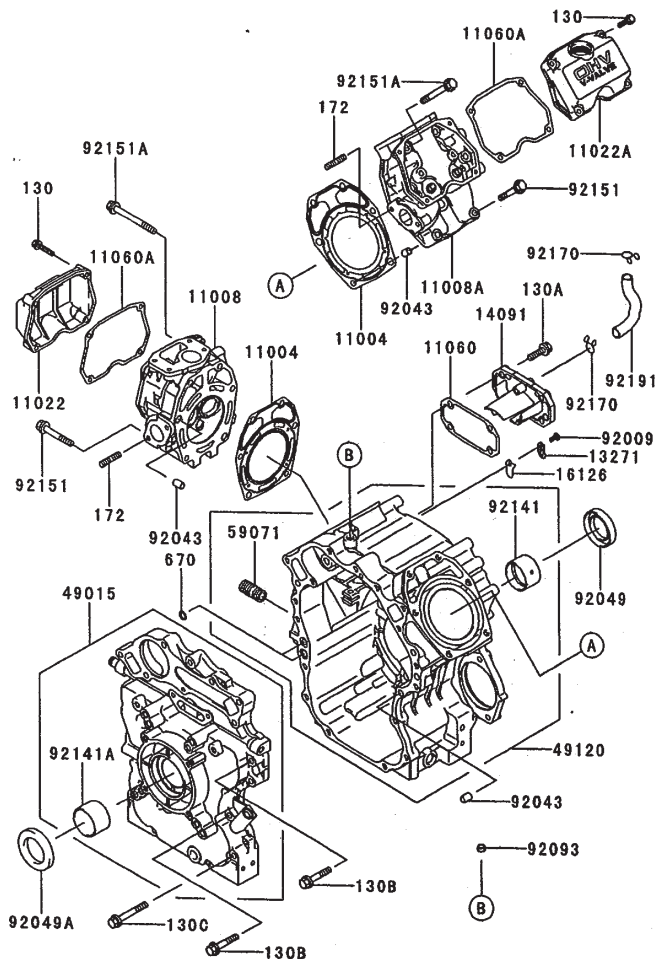


Sheet No.: 52

## Electrical Assembly

Ref. No.	Part No.	Qty.	Description
1	104-7757	1	Harness – Wire, 27 Kaw
2	1-816001	1	Fuse-Type, Blade
3	1-816003	1	Fuse-Blade Type, 30 Amp
4	1-643275	3	Relay
5	1-803071	2	Screw
6	3296-2	6	Nut-Lock
7	1-543393	1	Insulator-Solenoid
8	321-4	5	Screw-HH
9	1-633396	3	Clip-Loom
10	32128-33	5	Nut-HF
11	33014-00	1	Nut-Hex
12	3256-23	1	Washer-Flat
14	33114-016	1	Screw-HH
16	1-643145	1	Tab
17	103-0283	1	Sender,Eng.temp.m1 -1.5
18	1-643153	1	Washer-Aluminum
19	1-523279	1	Wire-Battery, Positive
20	1-633307	1	Wire-Ground
21	1-543391	1	Insulator-Battery
22	1-303335	10	Tie-Plastic
23	3256-2	2	Washer-Flat
24	1-603479	1	Battery
25	1-303287	2	Tie-Plastic

Ref. No.	Part No.	Qty.	Description
26	1-633652-03	1	Strap-Holddown, Battery
27	1-543792	2	Wingnut
28	1-633651	2	Bolt-Holddown
29	3290-500	10	Screw-PPH
31	1-633181	3	Plate-Tapped
33	1-633111	1	Switch
34	1-513762	1	Clip-Loom
35	1-633673	1	Switch-Delta
36	88-9830	1	Switch-Ignition
36:1	3254-5	1	Washer-Lock, Internal
36:2	218-461	1	Nut-HH
37	1-513374	1	Meter-Hours
39	1-643115	1	Tie-Plastic
41	63-8360	2	Key-Ignition
43	1-643037	1	Gauge-Voltmeter
44	1-643021	1	Gauge-Temperature
45	1-644427	1	Tilt Switch ASM
45:2	1-643401	1	Decal-Switch, Mercury
47	103-0499	1	Seal-Switch, Ignition
48	1-513051	2	Switch-Open, Normally
49	3256-23	1	Washer-Flat
50	1-633840	1	Harness-wiring, Seat

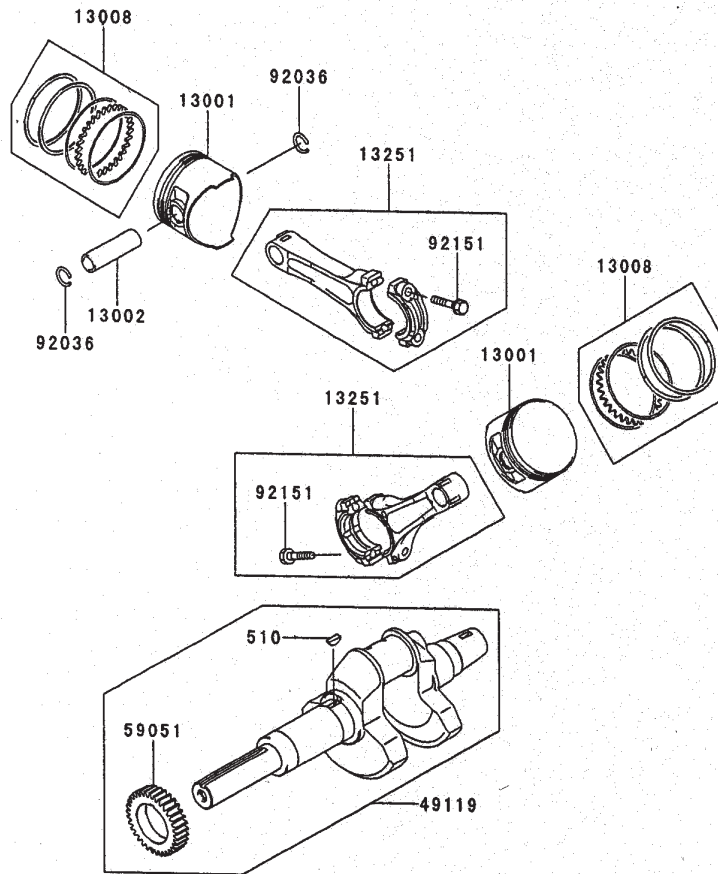


### Cylinder/Crankcase (Kawasaki FD750D-AS03)

Ref. No.	Part No.	Qty.	Description
	11004	2	Gasket-Head
	11008	1	Head-Comp-Cylinder
	11008A	1	Head-Comp-Cylinder
	11022	1	Case-Rocker
	11022A	1	Case-Rocker
	11060	1	Gasket, Breath
	11060A	2	Gasket, Rocker, Case
	13271	2	Plate
	14091	1	Cover, Breath
	16126	2	Valve, Breath
	49015	1	Cover-Crankcase
	49120	1	Crankcase-Comp
	59071	1	Joint
	92009	2	Screw
	92043	6	Pin
	92049	1	Seal-Oil
	92049A	1	Seal-Oil
	92093	1	Seal
	92141	1	Bearing-Plane
	92141A	1	Bearing-Plane
	92151	4	Bolt
	92151A	8	Bolt
	92170	2	Clamp
	92191	1	Tube
	130	8	Bolt-Flanged
	130A	4	Bolt-Flanged

Ref. No.	Part No.	Qty.	Description
	130B	4	Bolt-Flanged
	130C	4	Bolt-Flanged
	172	4	Bolt-Stud
	670	2	O-Ring

Obtain Parts from Kawasaki.



### Piston/Crankshaft (Kawasaki FD750D-AS03)

Ref. No.	Part No.	Qty.	Description
13001	13001-2125	2	Piston-Engine
13002	13002-0269	2	Pin-Piston
13008	13008-6007	2	Ring-Set-Piston
13251	13251-2058	2	Rod ASM-Connecting
49119	49119-2198	1	Crankshaft ASM
59051	59051-2358	1	Gear-Spur, 33T
92036	92036-008	4	Ring-Snap
92151	92151-2150	4	Bolt
510	510A5100	1	Key-Woodruff

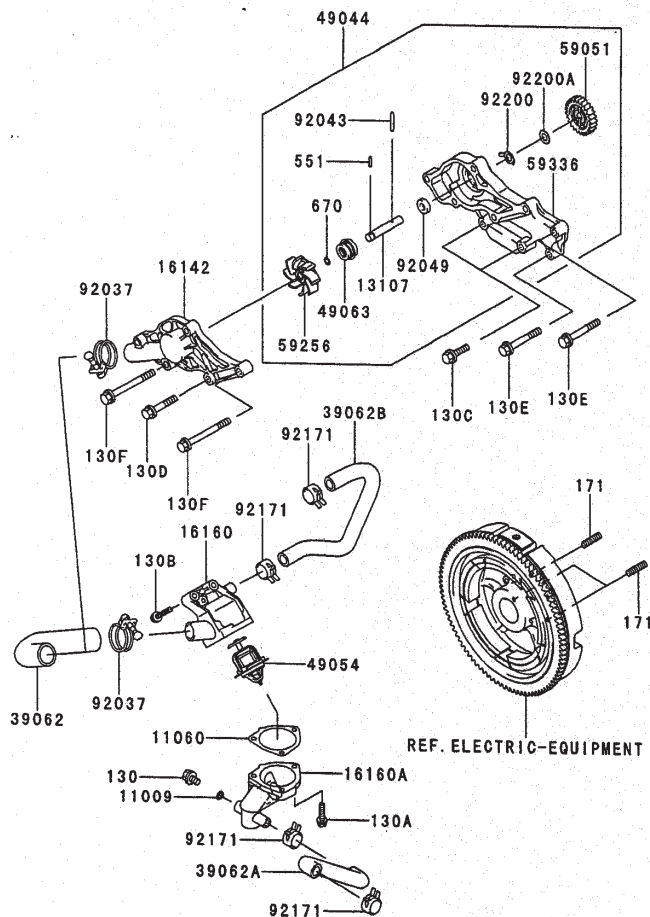
Ref. No.	Part No.	Qty.	Description

Obtain Parts from Kawasaki.









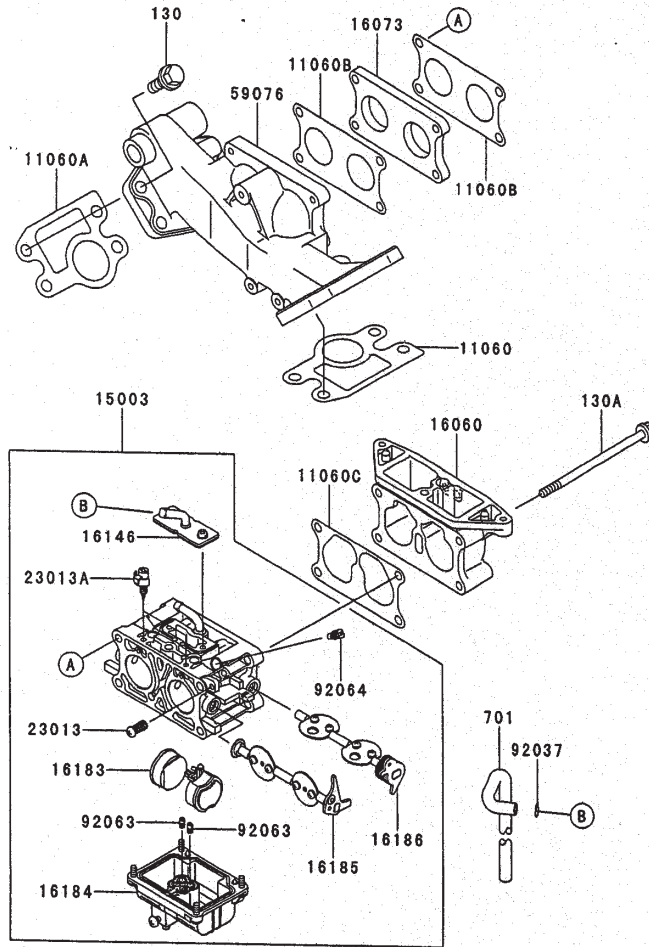
## Cooling Equipment (Kawasaki FD750D-AS03)

Ref. No.	Part No.	Qty.	Description	Ref. No.	Part No.	Qty.	Description
11009	11009-3028	1	Gasket	130E	130G0860	2	Bolt-Flanged
11060	11060-2475	1	Gasket-Thermostat	130F	130G0880	4	Bolt-Flanged
13107	13107-2097	1	Shaft-Impeller	171	171G0818	3	Bolt-Stud
16142	16142-2077	1	Cover-Pump	551	551A0314	1	Pin-Dowel
16160	16160-2127	1	Body-Upper	670	670B1507	1	O-Ring
16160A	16160-6002	1	Body-Valve				
39062	39062-2080	1	Hose-Cooling				
39062A	39062-2083	1	Hose-Cooling				
39062B	39062-2084	1	Hose-Cooling				
49044	49044-2063	1	Pump-Water				
49054	49054-2058	1	Thermostat				
49063	49063-1054	1	Seal-Mechanical				
59051	59051-2355	1	Gear-Spur, 25T				
59256	59256-2069	1	Impeller				
59336	59336-2078	1	Case-Pump				
92037	92037-2210	2	Clamp				
92043	92043-2237	1	Pin				
92049	92049-2111	1	Seal-Oil				
92171	92171-2056	4	Clamp				
92200	92200-2134	1	Washer				
92200A	92200-2135	1	Washer				
130	130C0812	1	Bolt-Flanged				
130A	130G0625	3	Bolt-Flanged				
130B	130G0635	2	Bolt-Flanged				
130C	130G0830	2	Bolt-Flanged				
130D	130G0845	1	Bolt-Flanged				

Obtain Parts from Kawasaki.





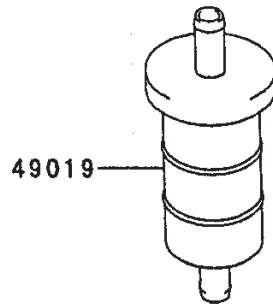
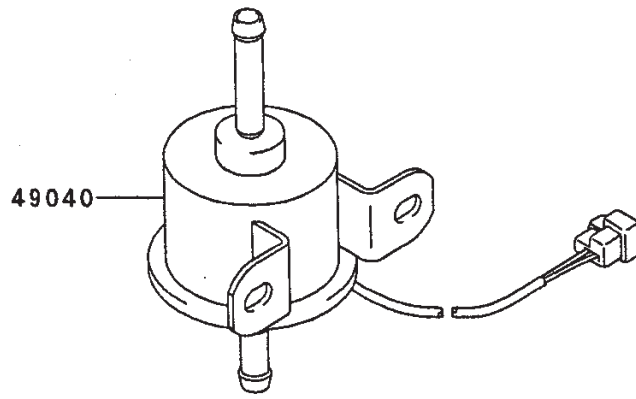


## Carburetor (Kawasaki FD750D-AS03)

Ref. No.	Part No.	Qty.	Description	Ref. No.	Part No.	Qty.	Description
	11060	1	Gasket-Intake				
	11060A	1	Gasket-Intake				
	11060B	2	Gasket-Intake Pipe				
	11060C	1	Gasket-Carburetor				
	15003	1	Carburetor ASM				
	16060	1	Pipe-Intake				
	16073	1	Insulator				
	16146	1	Cover ASM				
	16183	1	Float ASM				
	16184	1	Float Chamber ASM				
	16185	1	Throttle Valve ASM				
	16186	1	Choke Valve ASM				
	23013	1	Screw ASM				
	23013A	1	Screw ASM				
	59076	1	Manifold-Intake				
	92037	1	Clamp				
	92063	2	Jet-Main				
	92064	2	Jet-Pilot				
	130	8	Bolt-Flanged				
	130A	4	Bolt-Flanged				
	701	1	Tube-PVC				

**Obtain Parts from Kawasaki.**





### Fuel-Tank/Fuel-Valve (Kawasaki FD750D-AS03)

Ref. No.	Part No.	Qty.	Description
49019	49019-1055	1	Filter-Fuel
49040	49040-2065	1	Pump-Fuel

Ref. No.	Part No.	Qty.	Description

Obtain Parts from Kawasaki.









