



## Z150

### Z-Master<sup>®</sup> with 52" Side Discharge Mower

Model No. 74178-21000001 and Up

## Parts Catalog

### Ordering Replacement Parts

To order replacement parts, please supply: the part number, the quantity, and the description of each part desired.

### Understanding Reference Numbers

Each identified part in an illustration has a reference number. The reference number for a part also appears in the parts list, along with other information about the part.

This catalog uses two special reference number formats, one to indicate parts in a service assembly and another to indicate the quantity of a given part in an illustration.

### Service Assembly Reference Numbers

Parts in service assemblies have reference numbers in the form **a:b**. The **a** represents the reference number of the entire service assembly and the **b** represents a sequential number unique to each part within the service assembly.

For example, a wheel assembly might be identified by reference number **6**, the tire by **6:1**, the valve by **6:2**, and the wheel by **6:3**. When you order the assembly identified by reference number **6**, you receive all parts identified by reference numbers **6:1**, **6:2**, and **6:3**. However, you may also order any part individually.

Reference numbers of this type appear in illustrations and in part lists.

### Reference Numbers Indicating Quantity

In an illustration, if a reference number indicates more than one part, the reference number has the form **nX y**. The **n** represents the quantity of the part, the **X** is the multiplication symbol, and the **y** represents the reference number.

For example, in an illustration, the reference number **2X 37** means that two of the parts identified by reference number **37** are indicated.

## Contents

<b>Description</b>	<b>Page</b>	<b>Description</b>	<b>Page</b>
Front Frame Assembly .....	4	Idler, Pulley/Lift Strut Chains Assembly .....	17
Height of Cut Handle and Plates .....	6	Crankshaft Assembly .....	18
Main Frame .....	7	Crankcase Assembly .....	19
Fuel System Assembly .....	8	Head/Valve/Breather Assembly .....	20
Parking Brake System Assembly .....	9	Ignition/Electrical Assembly .....	22
Motion Control System Assembly .....	10	Blower Housing & Baffles Assembly .....	24
Hydraulic System Assembly .....	11	Starting System Assembly .....	26
Pump, Idler and Belt Assembly .....	12	Oil Pan/Lubrication Assembly .....	28
Engine and Clutch Assembly .....	13	Fuel System Assembly .....	29
Electrical System Assembly .....	14	Engine Controls Assembly .....	31
52" Deck Assembly .....	15	Air Intake Assembly .....	32
52" Deck Spindle Assembly .....	16	Exhaust Assembly .....	33

## Accessories

<b>Description</b>	<b>Model / Part No.</b>	<b>Description</b>	<b>Model / Part No.</b>
Recycler Kit .....	59225	Grass Gobbler .....	30131
Bahaia Mulch Kit .....	59227	Striping Kit .....	30121
High Sail Blades (3 required for improved bagging) .....	56-2390	High Suspension Seat .....	74210
Bagging System .....	79460	High Shield Kit .....	99-8922
		Hitch Kit .....	99-8924

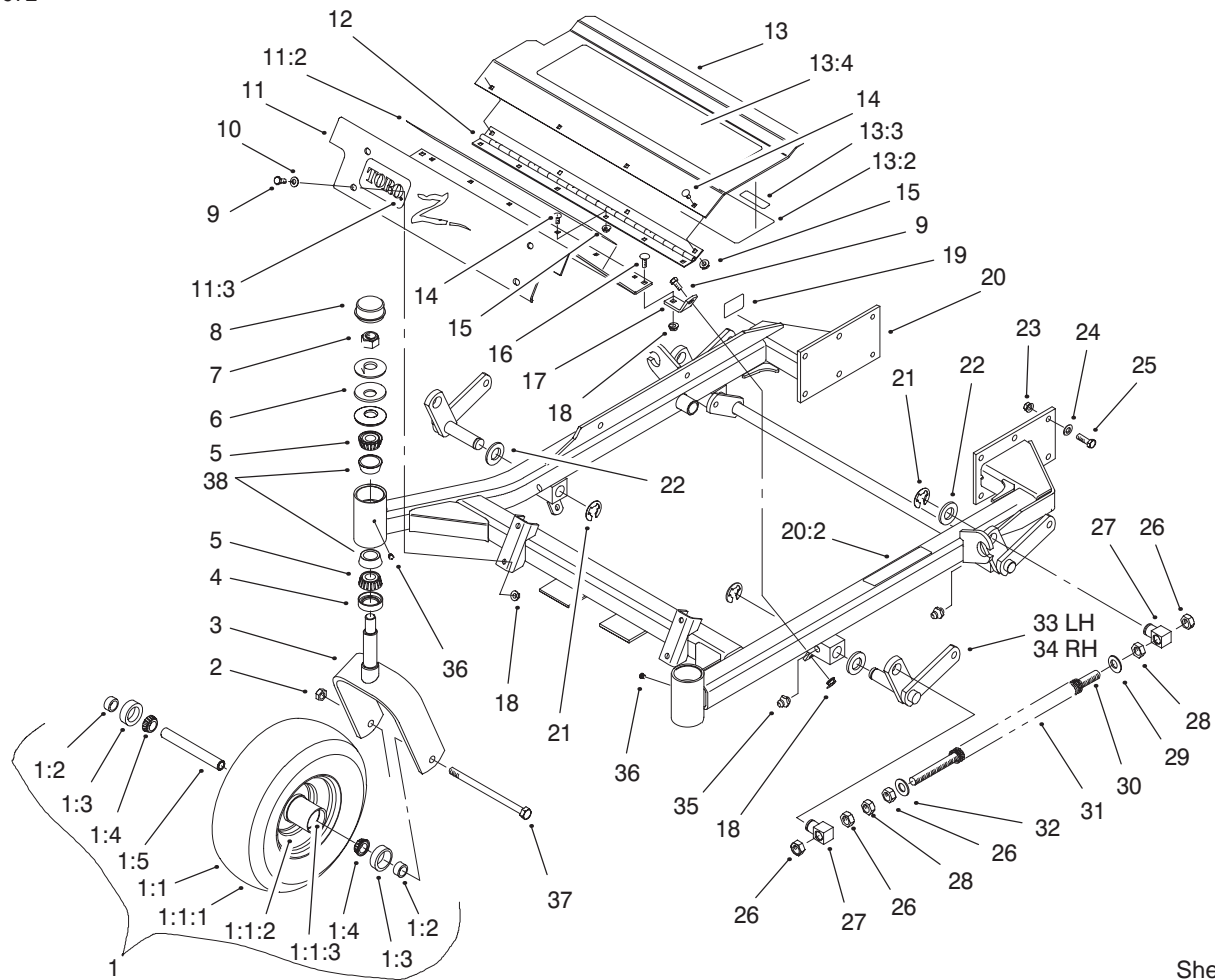
PROTOTYPE

## Part Description Abbreviations

Part descriptions in this catalog may include the following abbreviations.

<b>Abbreviation</b>	<b>Meaning</b>	<b>Abbreviation</b>	<b>Meaning</b>
AR .....	as required	INC .....	incorporated
ASM .....	assembly	LH .....	left hand
CARR .....	carriage	NI .....	nylon insert
DEG .....	degrees	PPH .....	Phillips pan head
FH .....	flat head	PTH .....	Phillips truss head
GA .....	gauge	PTO .....	power take off
HF .....	hex flange	RH .....	right hand
HH .....	hex head	SFH .....	slotted fillister head
HHF .....	hex head flange	SHH .....	slotted hex head
HLH .....	hex lag head	SQH .....	square head
HJ .....	hex jam	SHWH .....	slotted hex washer head
HOC .....	height-of-cut	SPH .....	slotted pan head
HS .....	hex socket	SRH .....	slotted round head
HSBH .....	hex socket button head	STD .....	standard
HSFH .....	hex socket flat head	TAP .....	self tapping
HSH .....	hex socket head	TTH .....	Torx truss head
HWH .....	hex washer head	WH .....	wing head
HWHTF .....	hex washer head thread forming		

*PROTOTYPE*



Sheet No.:2

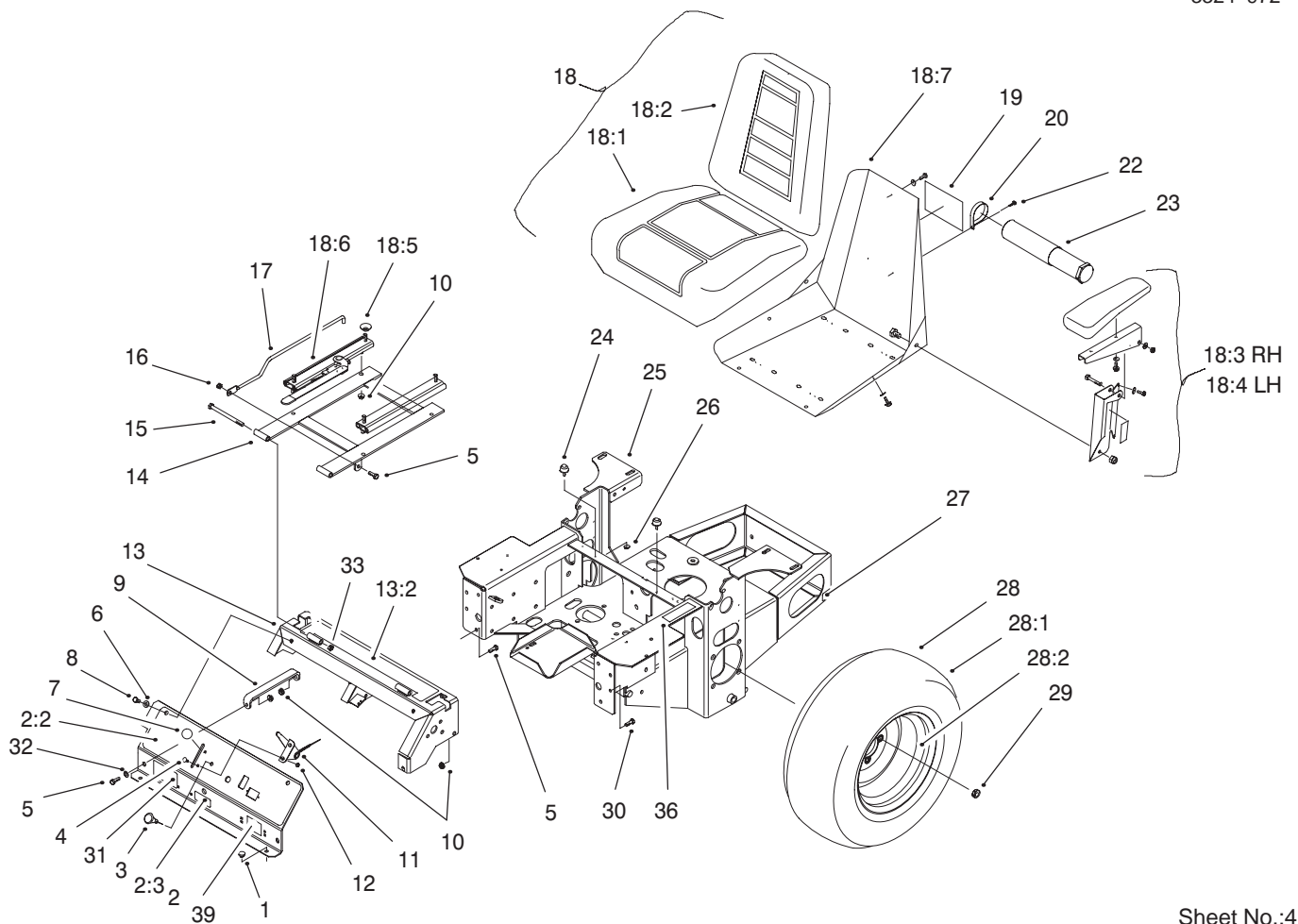
## Front Frame Assembly

Ref. No.	Part No.	Qty.	Description
1	1-634662	2	Caster Wheel ASM
1:1	1-633582	1	Wheel & Tire ASM
1:1:1	1-633002	1	Tire
1:1:2	1-633583	1	Wheel
1:1:3	1-633584	2	Bearing-Cup
1:2	1-633581	2	Spacer-Bearing
1:3	1-633580	2	Seal-Bearing
1:4	1-633585	2	Bearing-Cone, Tapered
1:5	1-633579	1	Spacer,Front Caster
2	3296-45	2	Nut-Lock, NI
3	1-632511-01	2	Caster
4	1-543511	2	Seal-Grease
5	254-94	4	Bearing-Taper/Cone
6	1-633508	6	Washer-Bellville
7	3296-51	2	Nut-Lock, NI
8	1-543513	2	Cap-Grease
9	322-3	6	Screw-HH
10	3256-23	4	Washer-Flat
11	99-3940	1	Floorpan-Front
11:2	1-633553	1	Pad-Antiskid
11:3	1-633737	1	Decal-Z-Master
12	1-653049	1	Hinge,Floorpan
13	99-3930	1	Footrest ASM
13:2	99-3924	1	Decal-Service
13:3	98-5954	1	Decal-Missing, Cover

Ref. No.	Part No.	Qty.	Description
13:4	1-633553	1	Pad-Antiskid
14	3229-10	10	Screw-CARR
15	32128-33	10	Nut-HF
16	3230-1	2	Screw-CARR
17	99-3870-01	2	Bracket-Floorpan
18	32128-20	8	Nut-HF
19	88-1270	1	Decal-Safety STD
20	99-3931	1	Front Frame ASM
20:2	1-633818	1	Decal-Warning
21	32151-103	6	Ring-Snap
22	3256-29	6	Washer-Flat
23	3290-357	12	Nut-Flange, Lock
24	98-5975	12	Washer-Bellville
25	323-7	12	Screw-HH
26	3217-11	8	Nut-Hex
27	1-633441	4	Swivel-Deck Mount, Rear
28	3218-6	4	Nut-Jam
29	3256-7	2	Washer-Flat
30	1-653011	2	Rod,Deck Lift
31	1-653009	2	Spring,Compression
32	3256-27	2	Washer-Flat
33	99-3871-01	1	Lift Arm ASM - LH
34	99-3872-01	1	Lift Arm ASM - RH
35	302-19	4	Fitting-Grease
36	1-811010	2	Plug



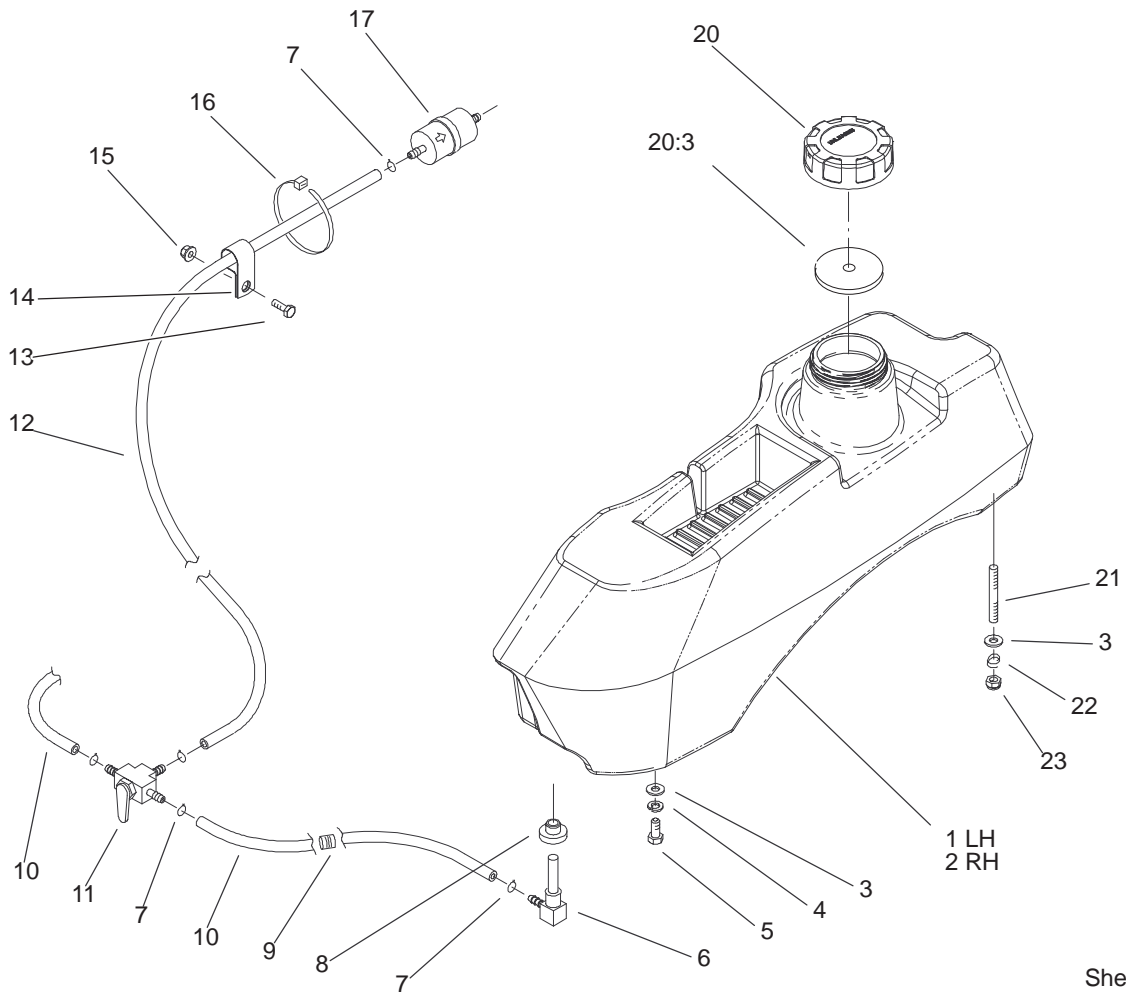




Sheet No.:4

## Main Frame

Ref. No.	Part No.	Qty.	Description	Ref. No.	Part No.	Qty.	Description
1	1-513658	2	Bumper-Catcher, Grass	18:5	1-543401	4	Spacer-Track
2	103-0724	1	Instrument Panel ASM	18:6	1-643255	1	Track-Seat
2:2	103-0167	1	Decal, Console	18:7	1-633859	1	Frame-Seat
2:3	103-0262	1	Decal-Valve, Fuel	19	99-4693	1	Decal-Toro
3	1-603336	1	Control-Choke	20	2412-120	2	R-Clamp
4	1-807513	2	Bolt-CARR	22	32104-76	2	Screw
5	322-5	3	Screw-HH	23	74-0720	1	Tube-Manual
6	3256-23	2	Washer-Flat	24	1-523420	2	Bumper
7	1-513592	1	Knob-Ball, Red	25	103-0712-03	1	Wld, Mainframe - Pntd
8	322-3	3	Screw-HH	26	3296-42	2	Nut-Lock, NI
9	1-653089-03	1	Bracket	27	65-2690	2	Decal-Surface, Hot
10	32128-20	12	Nut-HF	28	1-653159	2	ASM, Wheel & Tire
11	1-633696	1	Cable-Throttle	28:1	1-653160	1	Tire
12	3296-2	2	Nut-Lock	28:2	1-653161	1	Wheel, 12 X 7 *
13	99-3933	1	Console ASM	29	242-50	8	Nut - Lug
13:2	103-0315	2	Decal-Console	30	322-2	6	Screw-HH
14	1-632187-03	1	Frame - Seat	31	99-4604	1	Decal-Z150
15	323-21	2	Screw-HH	32	3256-3	2	Washer-Flat
16	3296-29	1	Nut-Lock	33	3296-39	2	Nut-Lock, NI
17	1-653495	1	Rod-Hold Up, Seat	36	1-603845	1	Decal, Drive Release
18	1-633705	1	Seat w/Tracks	39	98-4387	1	Decal-Protection, Ear
18:1	103-0290	1	Cushion-Bottom, Seat				
18:2	104-7754	1	Cushion - Back, Seat				
18:3	1-633710	1	Cushion-Armrest, RH				
18:4	1-633711	1	Cushion-Armrest, LH				

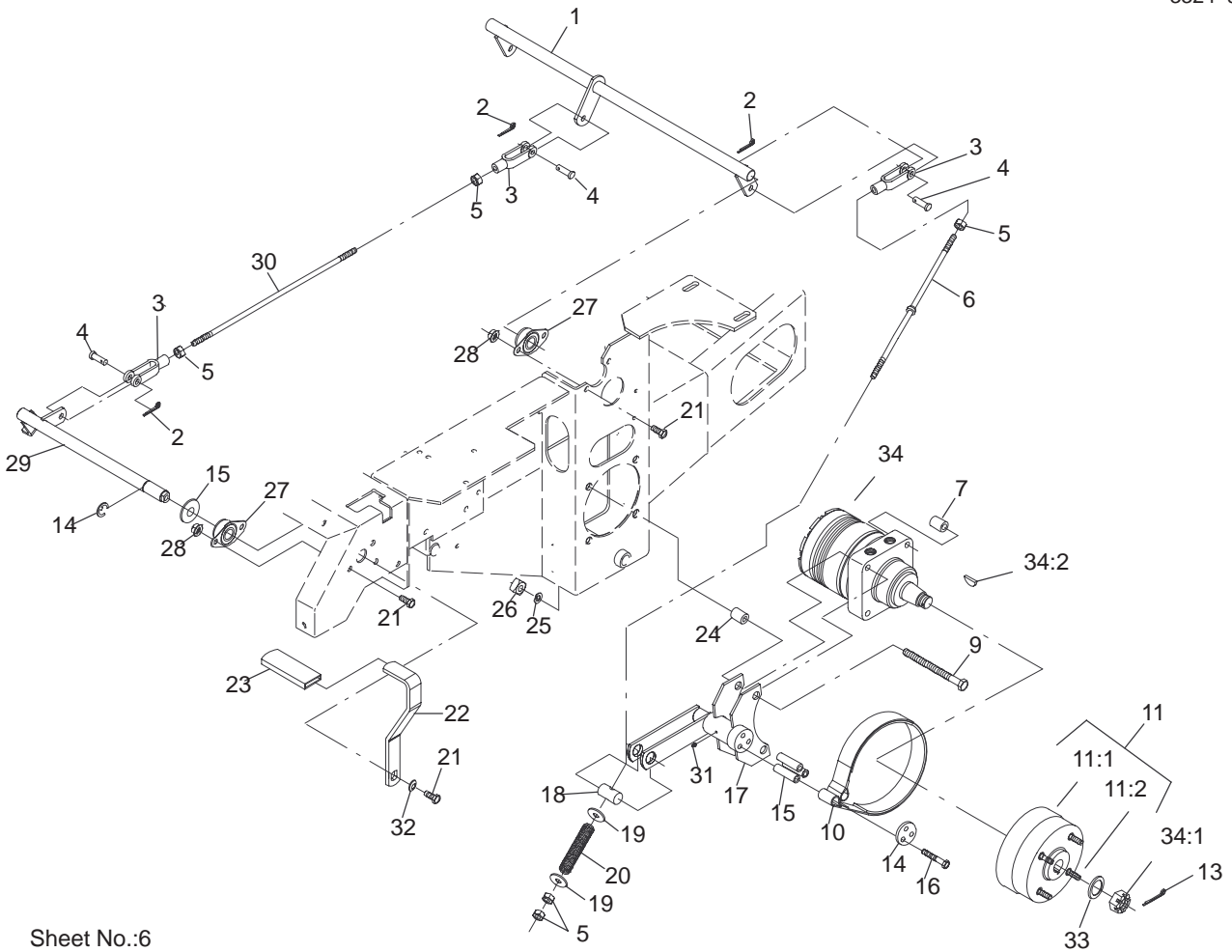


Sheet No.:5

## Fuel System Assembly

Ref. No.	Part No.	Qty.	Description
1	104-5120	1	Tank - Fuel, LH
2	104-5121	1	Tank - Fuel, RH
3	3256-23	8	Washer-Flat
4	1-805005	4	Washer-Lock
5	322-3	4	Screw-HH
6	1-543277	2	Elbow-Tank, Fuel
7	1-303077	6	Clamp-Line, Fuel
8	1-513645	2	Bushing-Valve, Fuel
9	1-543296	2	Grommet, Fuel Line
10	1-543526	2	Hose, Fuel
11	1-633347	1	Valve-Fuel
12	103-0216	1	Hose-Fuel
13	321-4	1	Screw-HH
14	1-513762	1	Clip-Loom
15	3296-42	1	Nut-Lock, NI
16	1-303335	1	Tie-Plastic
17	2405002	1	Filter-Fuel
20	88-3980	2	Gas Cap ASM
20:3	88-4010	1	Gasket-Cap, Gas
21	1-633023	4	Stud
22	1-633349	4	Spring-Tank, Fuel
23	3296-47	4	Nut-Lock, NI

Ref. No.	Part No.	Qty.	Description
PROTOTYPE			



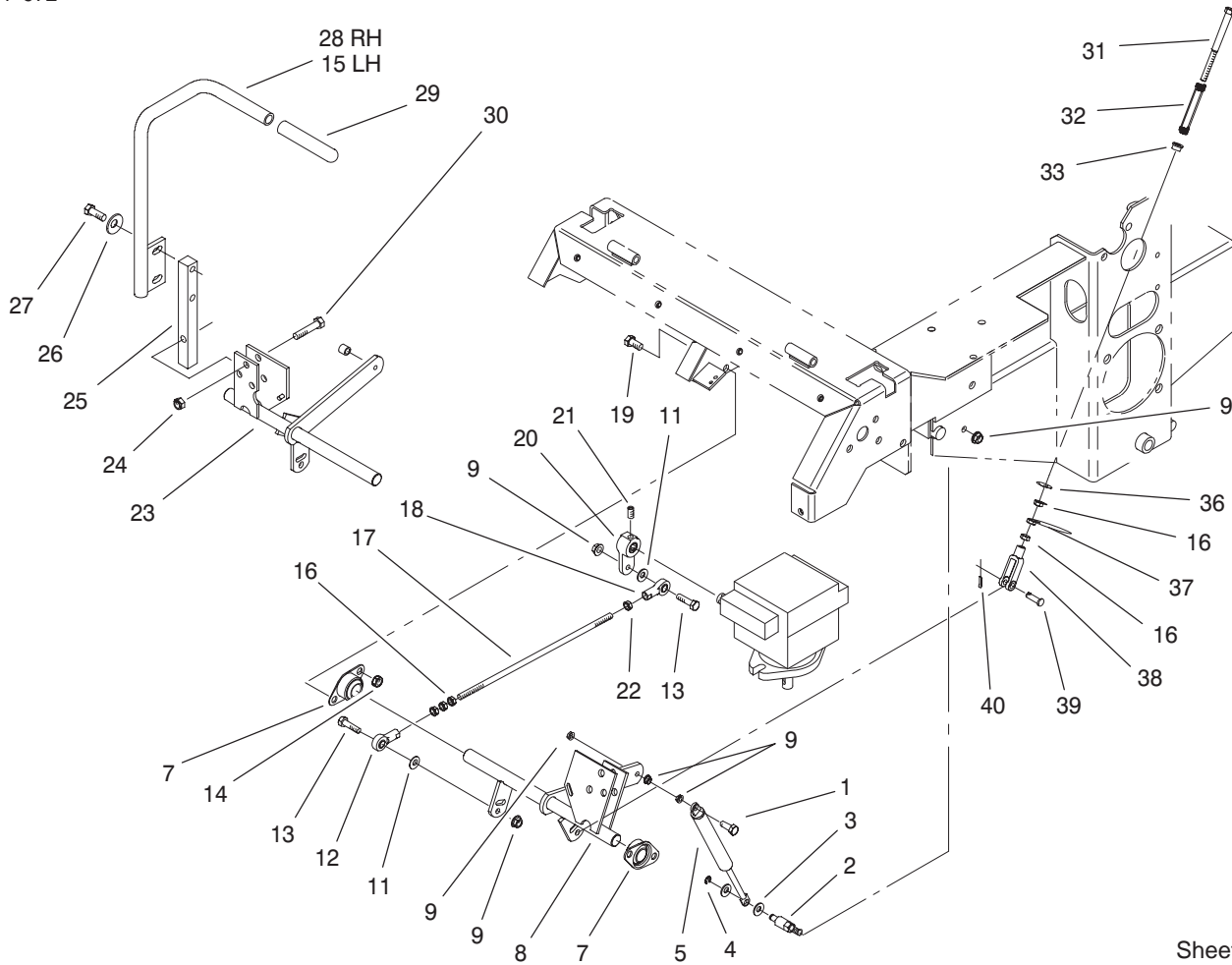
Sheet No.:6

## Parking Brake System Assembly

Ref. No.	Part No.	Qty.	Description
1	1-652073-03	1	Wld, Park Brake Crank
2	3272-10	4	Pin-Cotter
3	1-633131	4	Yoke-Linkage, Brake
4	1-808285	4	Pin-Clevis
5	3219-3	8	Nut-HH
6	103-0356	2	Rod, Brake
7	1-653068	4	Spacer, Wheel
9	325-13	8	Screw-HH
10	103-0355	2	Band-Brake
11	103-0590	2	Hub-Wheel w/Studs
11:1	103-0589	1	Hub-Wheel
11:2	1-633926	4	Stud-Heel
13	1-806800	2	Pin-Cotter
14	103-0374	2	Retainer-Band, Brake
15	103-0384	6	Spacer
16	322-9	6	Screw-HH
17	103-0352-03	2	Bracket-Brake
18	1-633144	2	Pin-Trunion
19	3256-4	4	Washer-Flat
20	1-633454	2	Spring-Brake
21	323-4	9	Screw-HH
22	1-653074-03	1	Handle, Park Brake
23	1-633268	1	Grip-Lever, Brake
24	1-653069	4	Spacer, Wheel
25	3253-7	8	Washer-Lock
26	103-0131	8	Nut-Square

Ref. No.	Part No.	Qty.	Description
27	1-633102	4	Bearing-Flange, Side
28	3290-357	8	Nut-Flange, Lock
29	1-652085	1	Shaft - Parking Brake
30	1-653061	1	Linkage-Handle, Brake
31	1481	2	Fitting-Grease
32	98-5975	1	Washer-Belleville
33	1-523157	2	Washer-Spacer
34	1-523328	2	Motor-Wheel
34:1	1-809036	1	Nut-HH
34:2	3257-42	1	Key-Woodruff
*34:99	1-000099	1	Kit-Seal
*34:99	1-000139	1	Kit-Bearing

\* Not illustrated

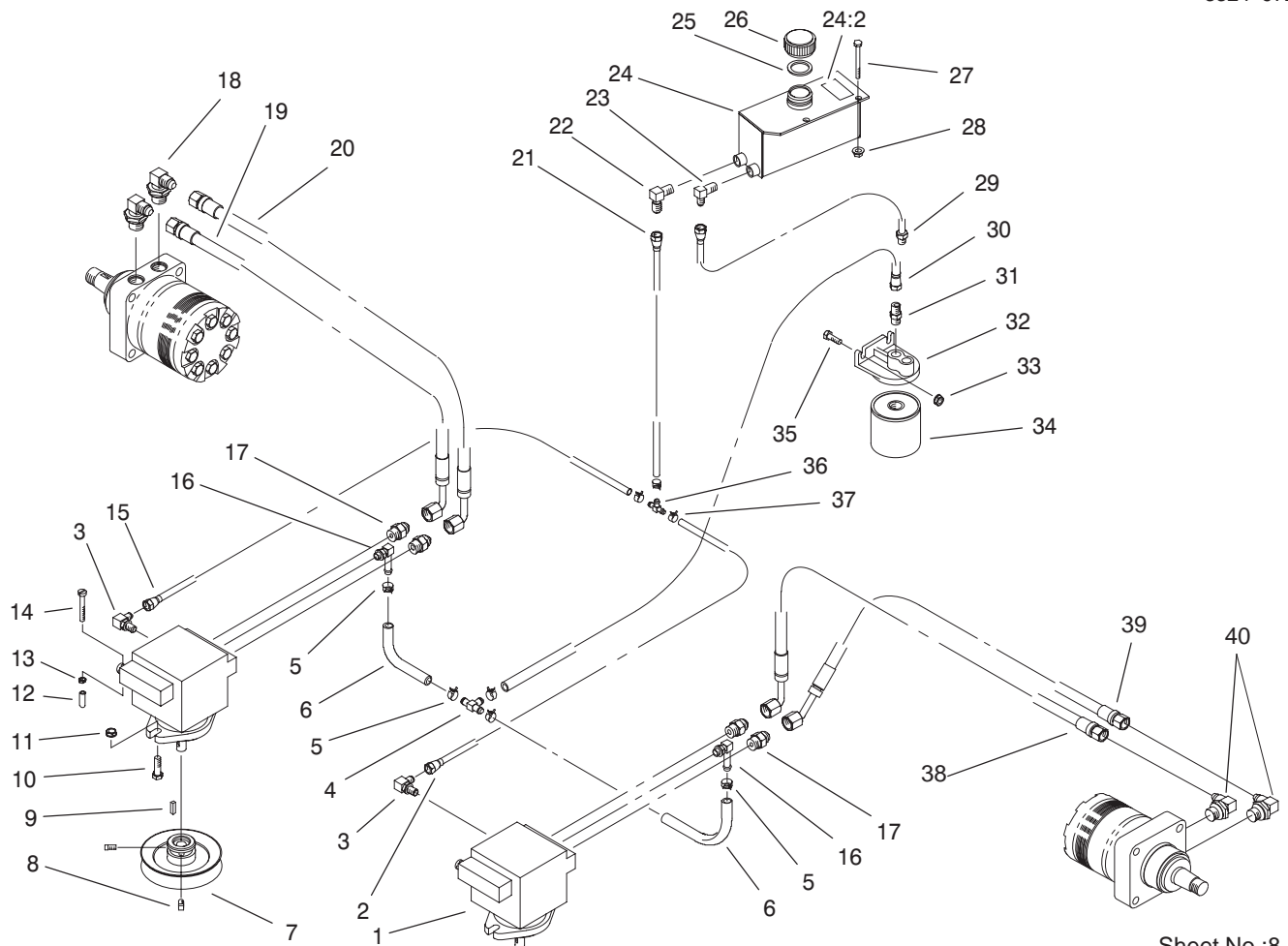


Sheet No.:7

## Motion Control System Assembly

Ref. No.	Part No.	Qty.	Description
1	1-403180	2	Screw-HH
2	1-653316	2	Pin-Dampner
3	3256-23	4	Washer-Flat
4	32120-35	2	E-Ring
5	1-523027	2	Damper-Control
7	1-633102	4	Bearing-Flange, Side
8	1-652467	1	Motion Control, LH
9	32128-20	12	Nut-HF
11	3256-3	4	Washer-Flat
12	1-543017	2	Balljoint-RH
13	322-6	4	Screw-HH
14	3290-357	8	Nut-Flange, Lock
15	1-632191-03	1	Lever - Control, LH
16	3219-2	10	Nut-Hex
17	1-653046	2	Linkage,Pump/Lever
18	1-633152	2	Balljoint-Thread, LH
19	323-4	8	Screw-HH
20	1-653092	2	Arm,Pump Control
21	1-803022	2	Screw
22	1-804524	2	Nut
23	1-652466	1	Motion Control, RH
24	3296-39	6	Nut-Lock, NI
25	1-633177	2	Arm,Control Shaft
26	98-5975	4	Washer-Belleville
27	323-6	4	Screw-HH
28	1-632193-03	1	Lever - Control, RH

Ref. No.	Part No.	Qty.	Description
29	1-633257	2	Grip-Control, Motion
30	323-9	6	Screw-HH
31	1-603737	2	Bolt-Return, Neutral
32	1-603807	2	Spring-Return, Neutral
33	1-603735	2	Bushing-Flanged, Nylon
36	3256-2	2	Washer-Flat
37	3220-2	2	Nut
38	1-303105	2	Yoke-Adjustable
39	1-808280	2	Pin-Clevis
40	3272-5	2	Pin-Cotter

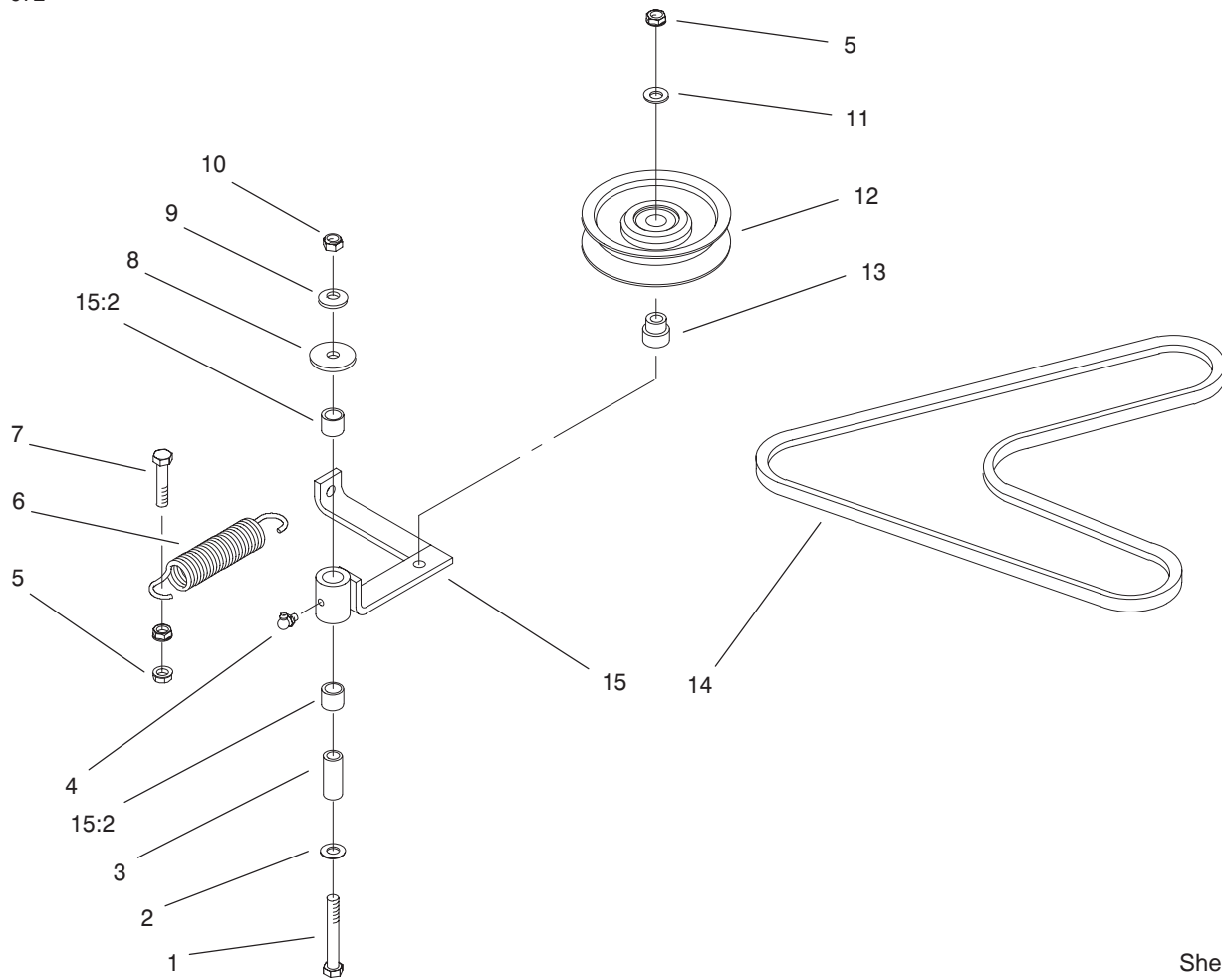


Sheet No.:8

## Hydraulic System Assembly

Ref. No.	Part No.	Qty.	Description
1	1-603841	2	Pump-Hydraulic
2	1-632285	1	Hose ASM
3	1-513840	2	Fitting-90°
4	1-603721	1	Fitting-Tee, Hose
5	1-603827	5	Clamp-Hose
6	1-413273	2	Hose
7	1-653156	2	Sheave
8	1-803050	4	Screw-Set
9	1-807272	2	Key-Machine
10	323-7	4	Screw-HH
11	3290-357	4	Nut-Flange, Lock
12	1-613073	2	Grip, Dump Valve
13	3296-42	2	Nut-Lock, NI
14	1-801063	4	Screw
15	1-632286	1	Hose ASM
16	1-603989	2	Fitting
17	1-603990	4	Fitting-Straight
18	1-633605	2	Fitting, Connector
19	1-653186	1	Hose, Front
20	1-653187	1	Hose, RH Rear
21	1-654144	1	Hose
22	1-603987	1	Fitting-Elbow
23	1-603988	1	Fitting-Elbow
24	99-4625	1	Hydraulic Tank ASM
24:2	1-523552	1	Decal-Tank, Hydraulic
25	1-523103	1	Gasket-Cap, Tank

Ref. No.	Part No.	Qty.	Description
26	1-513167	1	Cap
27	321-15	2	Screw-HH
28	32128-33	2	Nut-HF
29	1-654320	1	Hose
30	1-654509	1	Hose
31	1-513510	1	Fitting, Straight
32	1-603720	1	Head-Filter
33	32128-20	2	Nut-HF
34	1-633750	1	Filter-Hydraulic
34	1-633752	1	Filter-Winter, Hydraulic
35	322-5	2	Screw-HH
36	1-603722	1	Fitting-Tee, Hose
37	1-603826	3	Clamp-Hose
38	1-653409	1	Hose, Hydraulic
39	1-653410	1	Hose, Hydraulic
40	1-633786	2	Fitting-90°



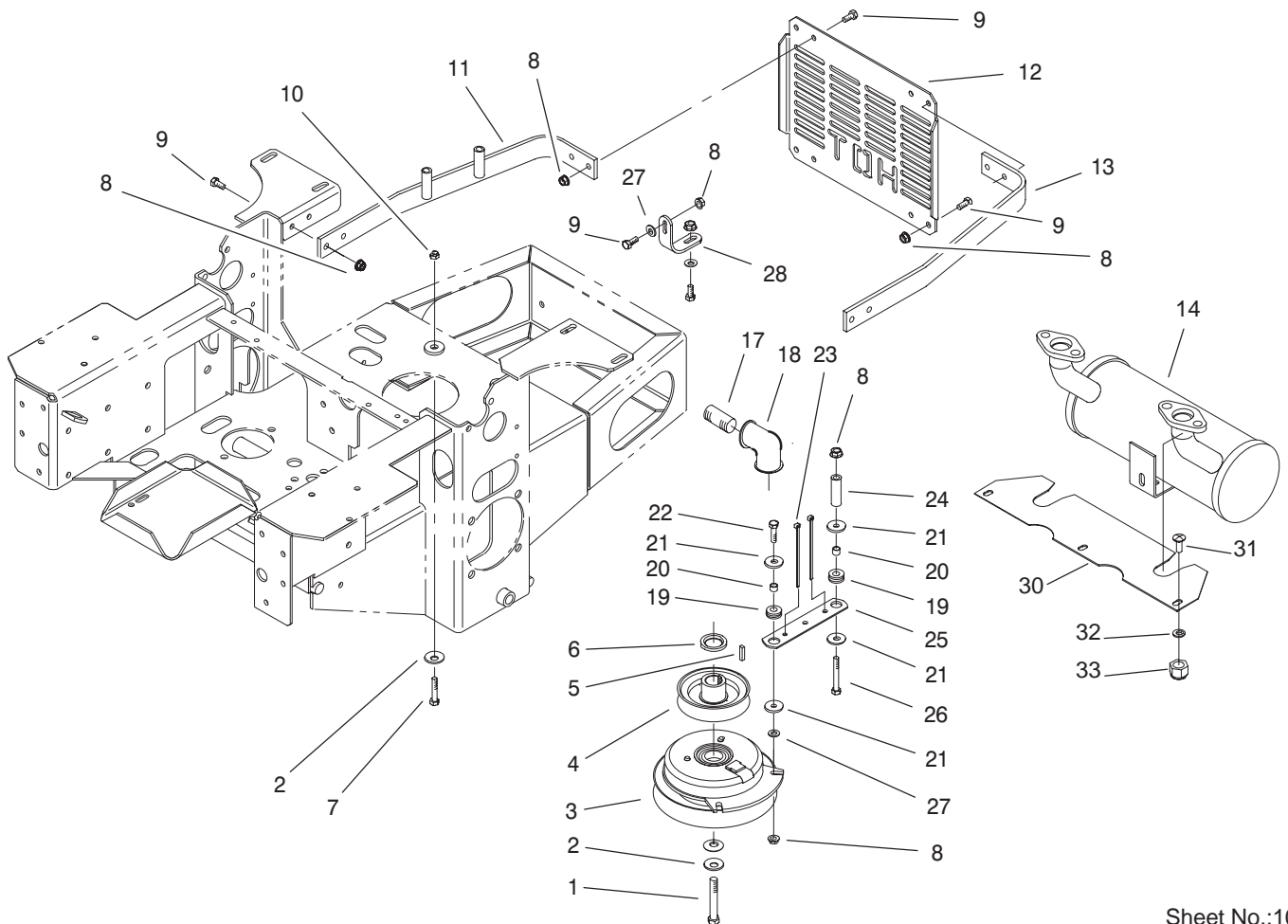
Sheet No.:9

### Pump, Idler and Belt Assembly

Ref. No.	Part No.	Qty.	Description
1	323-13	1	Screw-HH
2	3256-4	1	Washer-Flat
3	1-603044	1	Bushing
4	302-40	1	Fitting-Grease
5	3290-357	3	Nut-Flange, Lock
6	1-603414	1	Spring-Extension
7	323-9	2	Screw-HH
8	1-213069	1	Washer
9	98-5975	1	Washer-Belleville
10	3296-39	1	Nut-Lock, NI
11	3256-24	1	Washer-Flat
12	1-603843	1	Pulley-Idler
13	1-603496	1	Bushing-Idler
14	1-653283	1	Belt, Pump Toro
15	1-654143	1	Idler Arm
15:2	1-513034	2	Sleeve-Bearing

Ref. No.	Part No.	Qty.	Description

PROTOTYPE



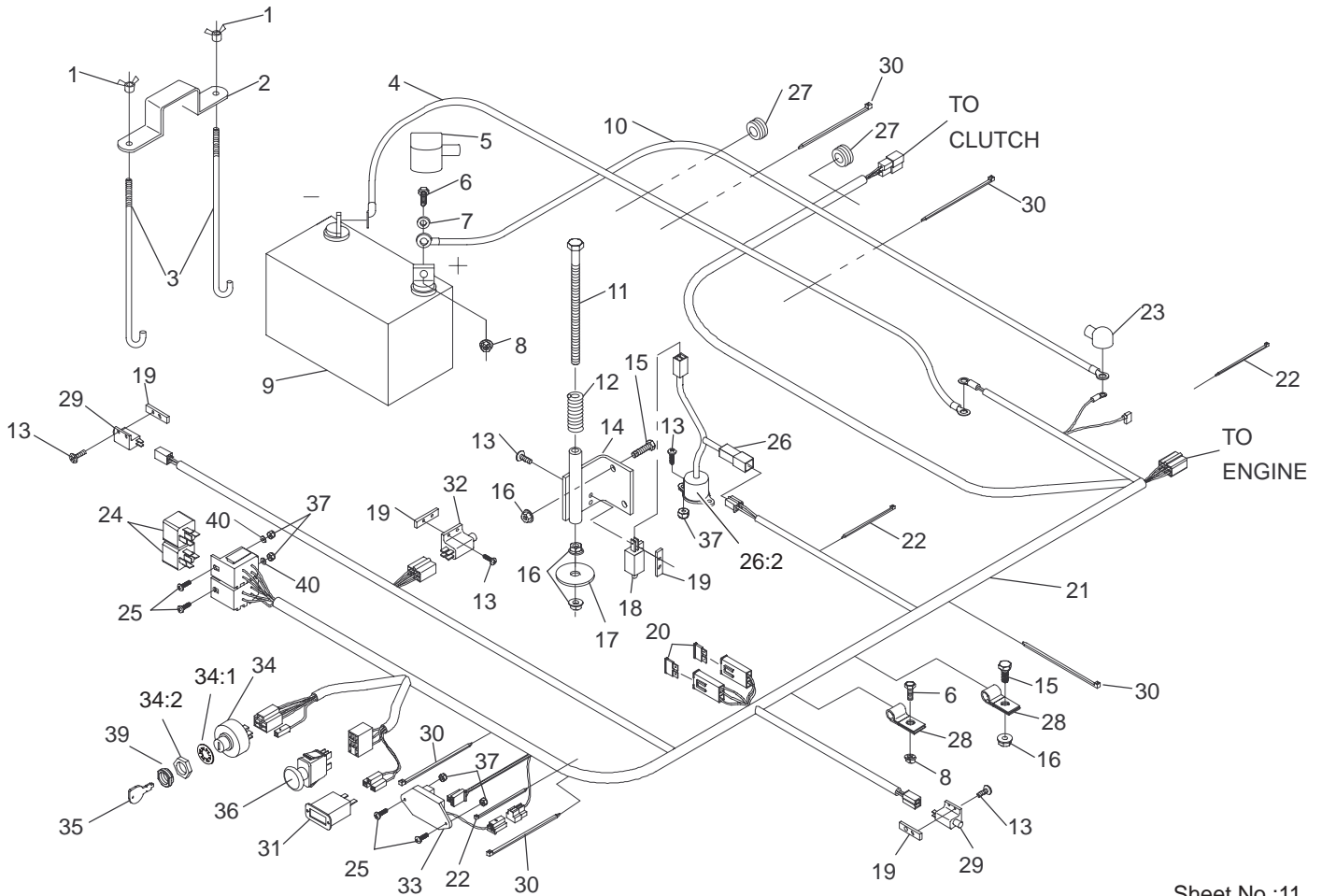
Sheet No.:10

## Engine and Clutch Assembly

Ref. No.	Part No.	Qty.	Description
1	3212-10	1	Screw-HH
2	1-303334	4	Washer-Spring
3	1-653048	1	Clutch, Mag Stop
4	1-653035	1	Sheave, w/Hub
5	1-807259	1	Key
6	1-543214	1	Spacer-Crankshaft
7	322-9	4	Screw-HH
8	32128-20	16	Nut-HF
9	322-3	14	Screw-HH
10	32128-20	4	Nut-HF
11	1-652146-03	1	Strap-Guard, Engine
12	1-653095-03	1	Shield, Engine
13	1-653093-03	1	Strap, Engine Guard
14	1-653195	1	Muffler, 18kc Vertical
17	1-543064	1	Nipple, Pipe
18	1-303428	1	Elbow-90°
19	1-633630	2	Grommet-Brake
20	1-633545	2	Spacer-Grommet
21	1-613235	4	Washer
22	322-6	1	Screw-HH
23	1-303335	2	Tie-Plastic
24	1-523406	1	Bushing-Mount, Seat
25	1-633543-03	1	Strap-Clutch, Brake
26	322-22	1	Screw-HH
27	3256-3	3	Washer-Flat

Ref. No.	Part No.	Qty.	Description
28	1-653196	1	Bracket, Muffler Support
30	1-653539-03	1	Shield, Heat
31	3230-1	3	Screw-CARR
32	3256-23	3	Washer-Flat
33	3296-29	3	Nut-Lock
☆99		1	Engine-Kohler, Cv20s Ps-6553

☆ Not serviced



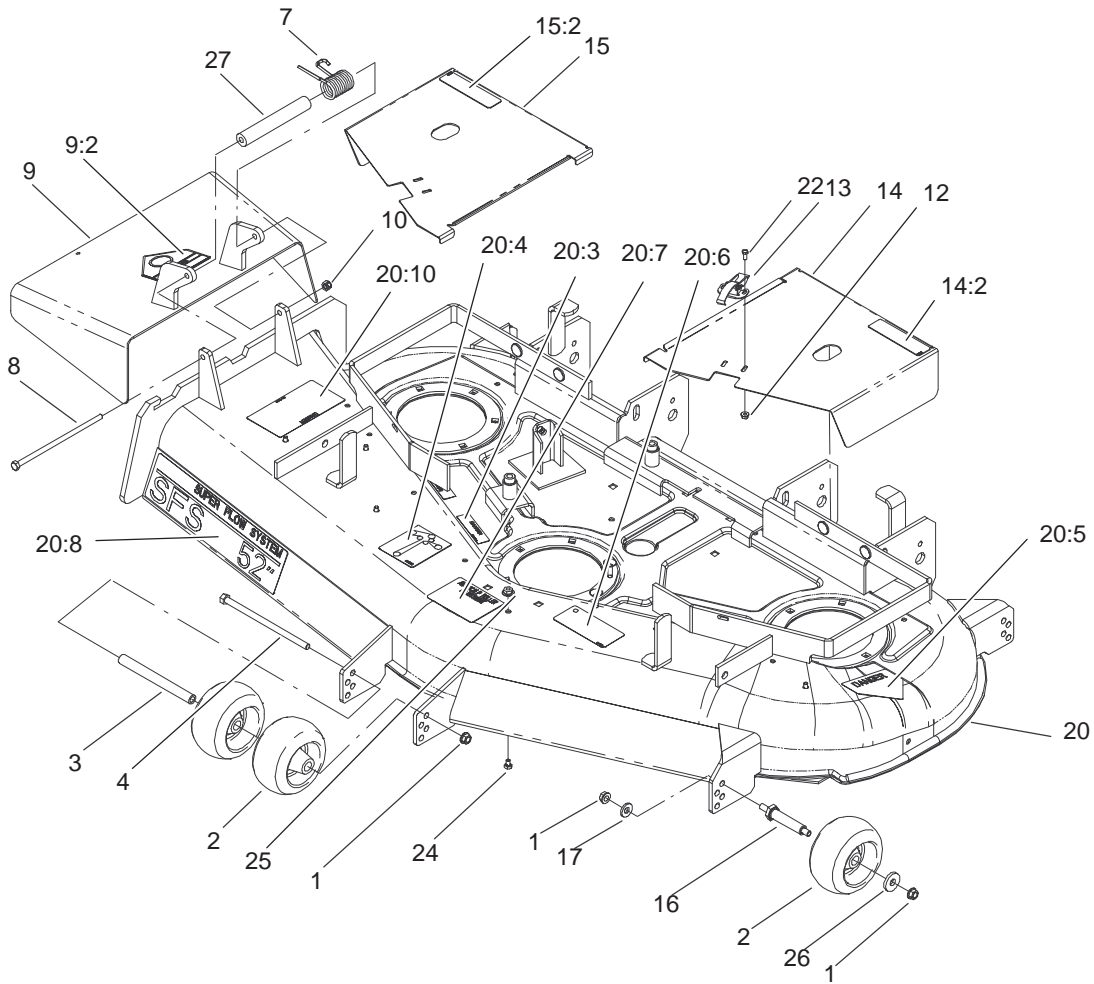
Sheet No.:11

## Electrical System Assembly

Ref. No.	Part No.	Qty.	Description
1	1-543792	2	Wingnut
2	1-633652-03	1	Strap-Holddown, Battery
3	1-633651	2	Bolt-Holddown
4	103-0705	1	Cable,Ground (-)
5	1-543391	1	Insulator-Battery
6	321-4	3	Screw-HH
7	3256-2	2	Washer-Flat
8	32128-33	3	Nut-HF
9	1-603479	1	Battery
10	1-523281	1	Wire-Starter
11	1-800282	1	Screw-HH
12	1-523415	1	Spring-Switch, Seat
13	3290-500	10	Screw-PPH
14	1-652072-03	1	Wld,Seat Switch Bracket
15	322-3	3	Screw-HH
16	32128-20	5	Nut-HF
17	1-653036	1	Washer
18	1-513152	1	Switch-Closed, Normally
19	1-633181	4	Plate-Tapped
20	1-816001	2	Fuse-Type, Blade
21	103-0595	1	Harness,Wire Lhp Kc
22	1-303287	3	Tie-Plastic
23	1-543393	1	Insulator-Solenoid

Ref. No.	Part No.	Qty.	Description
24	1-643275	2	Relay
25	1-807513	4	Bolt-CARR
26	1-644427	1	Tilt Switch ASM
26:2	1-643401	1	Decal-Switch, Mercury
27	1-543286	2	Grommet
28	1-633396	2	Clip-Loom
29	1-513051	2	Switch-Open, Normally
30	1-303335	5	Tie-Plastic
31	1-513374	1	Meter-Hours
32	1-633111	1	Switch
33	100-6186	1	Module-Delay, Seat
34	88-9830	1	Switch-Ignition
34:1	3254-5	1	Washer-Lock, Internal
34:2	218-461	1	Nut-HH
35	63-8360	2	Key-Ignition
36	1-633673	1	Switch-Delta
37	3296-2	6	Nut-Lock
39	103-0499	1	Seal-Switch, Ignition
40	3256-14	2	Washer-Flat

PROTOTYPE

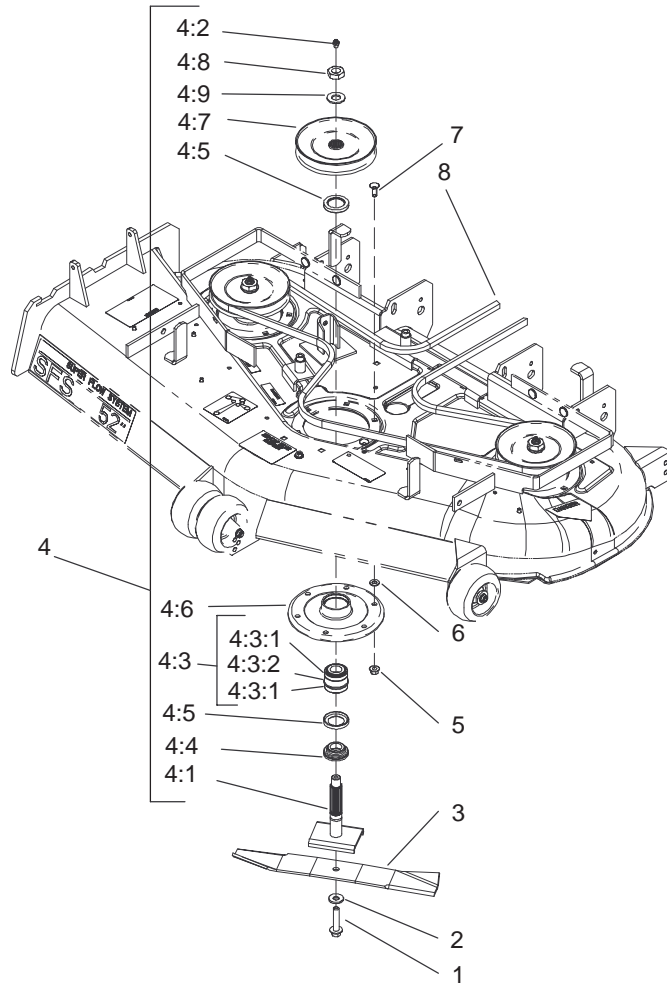


Sheet No.:14

### 52" Deck Assembly

Ref. No.	Part No.	Qty.	Description
1	3290-357	9	Nut-Flange, Lock
2	68-2730	6	Gage-Wheel
3	98-5967	1	Spacer - Wheel
4	323-28	1	Screw-HH
7	104-8554	1	Spring-Torsion
8	322-50	1	Screw-Cap
9	104-7753	1	Deflector ASM w/ Decals
9:2	54-9220	1	Decal-Danger
10	3296-29	1	Nut-Lock
12	32128-17	4	Nut-Lock, Flange
13	249-21	2	Clamp-Slotted
14	99-3896	1	LH Cover ASM
14:2	67-5360	1	Decal-Danger
15	99-3895	1	RH Cover ASM
15:2	67-5360	1	Decal-Danger
16	99-2842	4	Spacer-Wheel
17	98-5975	4	Washer-Belleville
20	104-7792	1	Deck ASM w/ Decals
20:3	98-5954	3	Decal-Missing, Cover
20:4	99-3943	1	Decal-Routing, Belt
20:5	43-8480	1	Decal-Danger
20:6	93-7818	1	Decal-Torque, Blade
20:7	98-3798	1	Decal-Wheel, Gage
20:8	98-5953	1	Decal-Sfs
20:10	66-1340	1	Decal-Danger

Ref. No.	Part No.	Qty.	Description
22	3290-321	4	Screw-HWH
24	321-1	6	Screw-HH
25	32128-33	6	Nut-HF
26	1-373034	4	Washer-Swivel
27	104-8555	1	Spacer-Deflector, Mounting



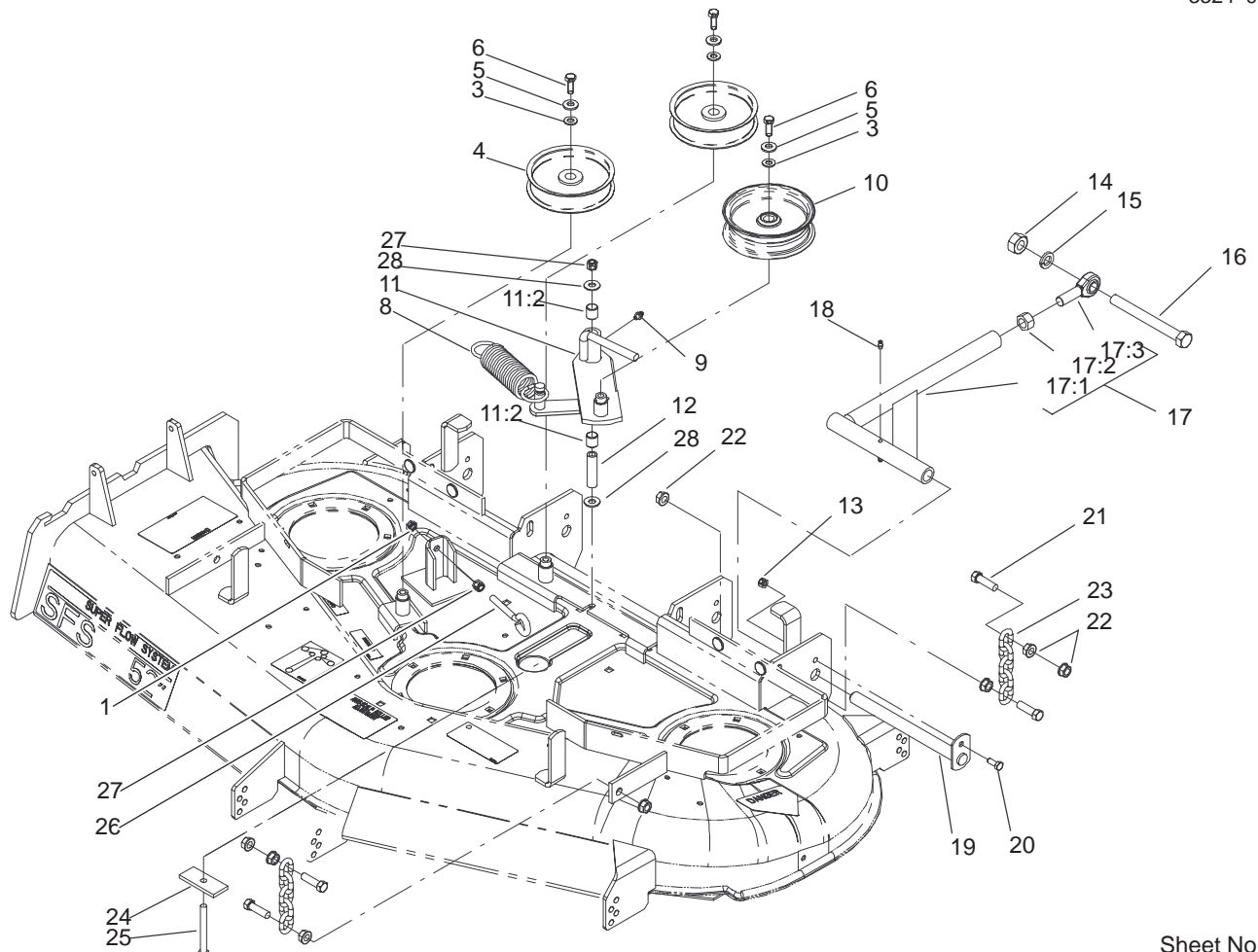
Sheet No.:15

## 52" Deck Spindle Assembly

Ref. No.	Part No.	Qty.	Description
1	92-5816	3	Bolt-Blade
2	1-513435	3	Washer-Spring
3	56-2390	3	Blade
4	100-3976	3	Spindle Housing ASM
4:1	100-3972	1	Spindle Shaft ASM
4:2	302-2	1	Fitting-Grease
4:3	46-8530	1	Bearing ASM
4:3:1	27-0960	1	Bearing ASM
4:3:2	27-5970	1	Spacer - Matched Set
4:4	27-0950	1	Spacer-Bearing, Spindle
4:5	253-139	2	Seal-Oil
4:6	61-4160	1	Housing-Spindle
4:7	100-3970	1	Pulley And Hub ASM
4:8	32146-20	1	Nut-Jam
4:9	7-4150	1	Washer-Pinion
5	32128-21	18	Nut-HF
6	3256-24	6	Washer-Flat
7	3231-22	18	Screw-CARR
8	99-3904	1	Belt-Deck

Ref. No.	Part No.	Qty.	Description

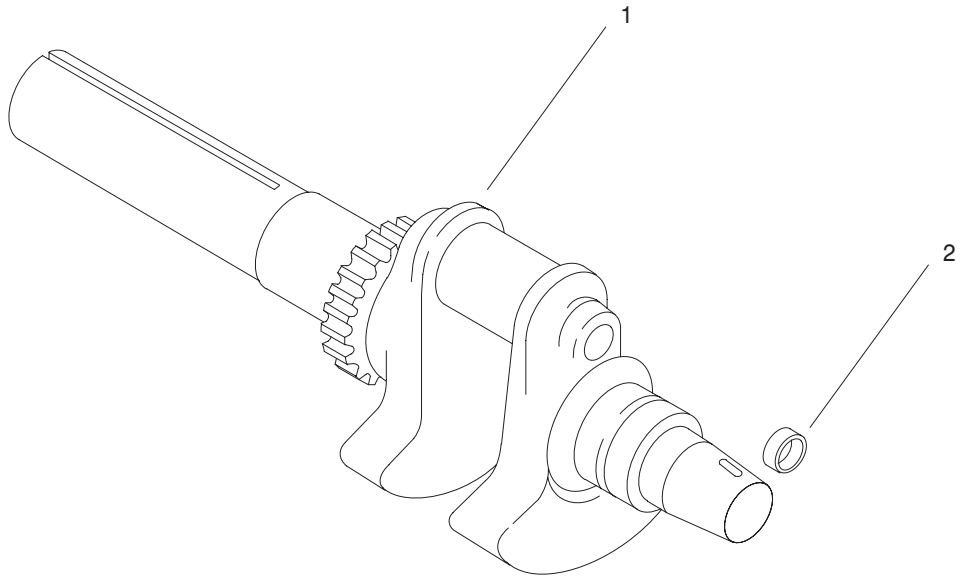
PROTOTYPE



Sheet No.:16

## Idler, Pulley/Lift Strut Chains Assembly

Ref. No.	Part No.	Qty.	Description	Ref. No.	Part No.	Qty.	Description
1	3217-7	1	Nut-Hex	24	99-3946-01	1	Plate-Retainer, Bolt
3	3256-24	3	Washer-Flat	25	1-800805	1	Screw-HH
4	1-613098	2	Pulley-Idler	26	94-2547	1	Eyebolt
5	98-5975	3	Washer-Belleville	27	3296-39	2	Nut-Lock, NI
6	323-6	3	Screw-HH	28	1-809107	2	Washer-hardened
8	1-633151	1	Spring-Extension				
9	302-40	1	Fitting-Grease				
10	1-413099	1	Pulley-Idler				
11	99-3879	1	Idler Arm ASM w/Bushings				
11:2	1-513034	2	Sleeve-Bearing				
12	1-603384	1	Bushing-Pivot, Idler				
13	3296-29	2	Nut-Lock				
14	3217-11	2	Nut-Hex				
15	3253-8	2	Washer-Lock				
16	1-800344	2	Screw				
17	103-1081	2	ASM, Strut STD Long				
17:1	103-1072-01	1	Strut-Deck				
17:2	3219-6	1	Nut-Hex				
17:3	1-633029	1	Balljoint-Spherical				
18	302-19	4	Fitting-Grease				
19	1-632199-01	2	Pin-Strut, Deck				
20	322-3	2	Screw-HH				
21	1-800811	8	Screw-Cap HH				
22	32128-37	16	Nut-HF				
23	1-633447	4	Chain-Lift, Deck				



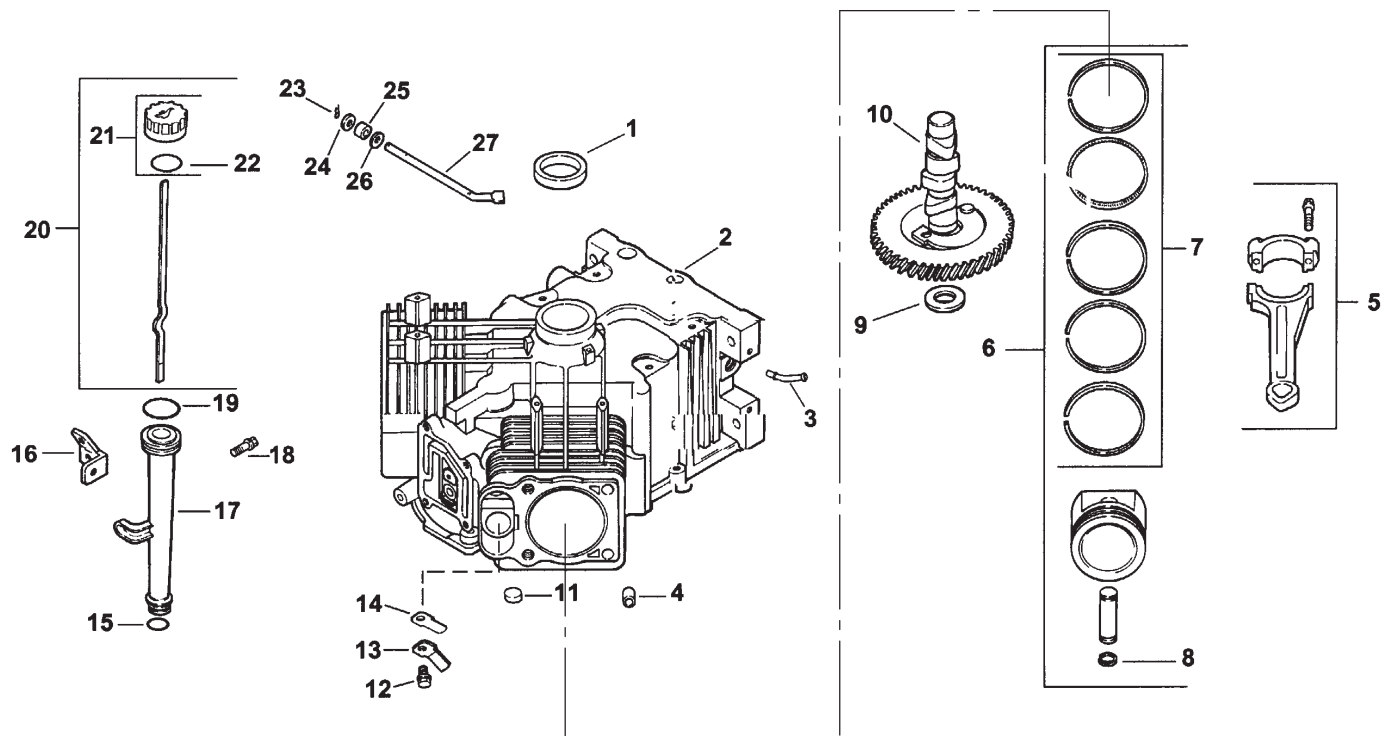
### Crankshaft Assembly

Ref. No.	Part No.	Qty.	Description
1	24 014 32	2	Crankshaft
2	52 139 09	1	Plug, cap

Ref. No.	Part No.	Qty.	Description

PROTOTYPE

Obtain Parts From Kohler

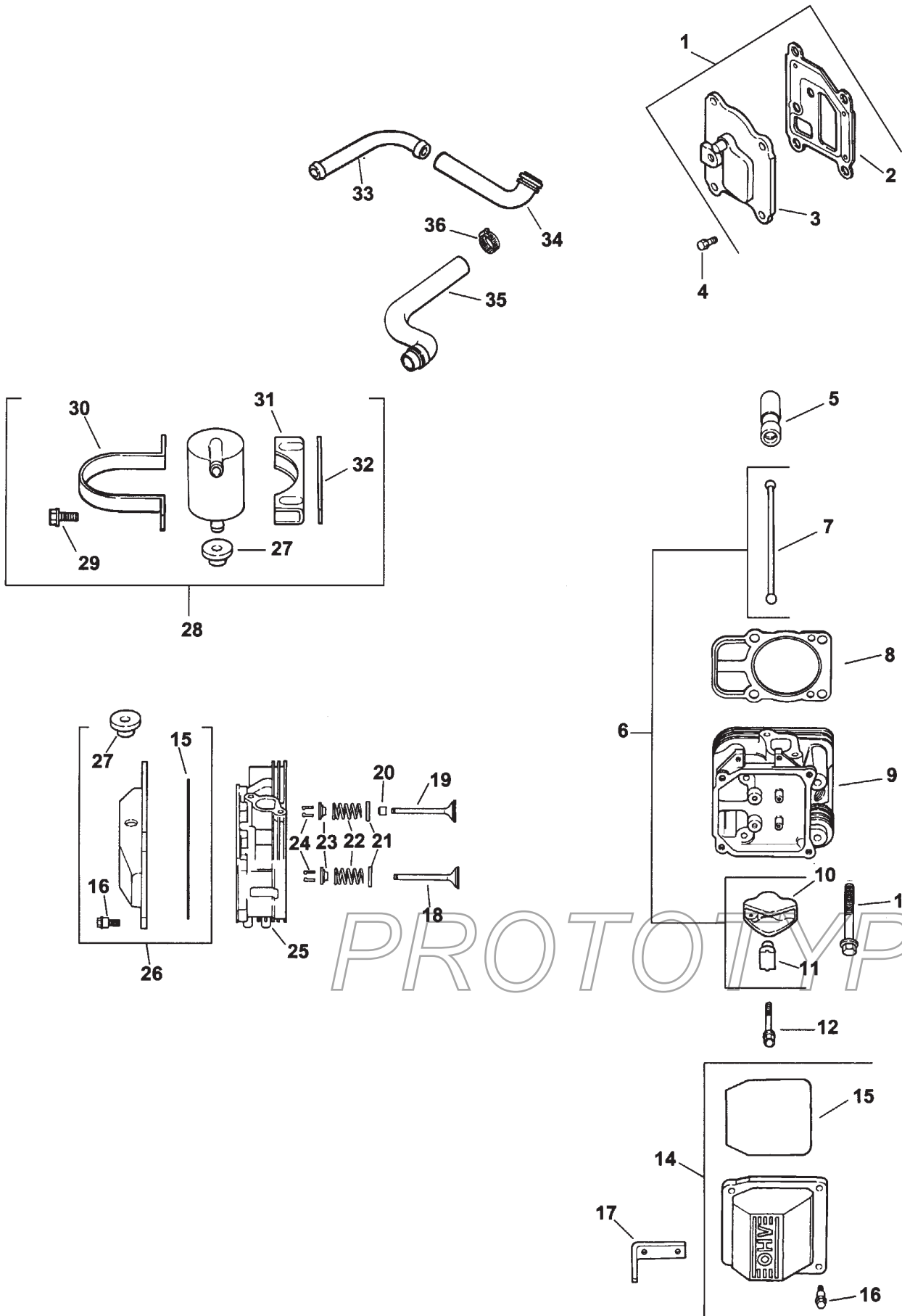


## Crankcase Assembly

Ref. No.	Part No.	Qty.	Description	Ref. No.	Part No.	Qty.	Description
1	24 032 01	1	Seal, oil front	15	12 153 01	1	O-Ring, lower oil fill
2	24 782 05	1	Cylinder Block	16	24 126 19	1	Bracket, oil fill tube
3	24 294 13	1	Fitting	17	12 123 04	1	Tube, oil fill
4	12 380 17	6	Pin, dowel locating	18	M-0545016	1	Screw, hex. flange
5	24 067 13	2	Connecting Rod (Std.)	19	12 153 02	1	O-Ring, upper oil fill
	24 067 14	2	Connecting Rod (.25)	20	24 038 04	1	Dipstick assembly (Includes 21,22)
6	24 874 01	2	Piston w/Ring Set Std. (Includes 7-8)	21	25 755 13	1	Kit, oil fill cap (Includes 22)
	24 874 02	2	Piston w/Ring Set (.25)	22	12 153 03	1	O-Ring, dipstick
	24 874 03	2	Piston w/Ring Set (.50)	23	12 380 04	1	Pin, hitch
7	24 108 01	2	Ring Set (Std.)	24	M-0631005	1	Washer, plain 6 mm
	24 108 02	2	Ring Set (.25)	25	12 032 01	1	Seal, gvrn. cross shaft
	24 108 03	2	Ring Set (.50)	26	X-25-102	1	Washer, plain 1/4"
8	24 018 01	4	Retainer, piston pin	27	24 144 01	1	Shaft, governor cross
9	12 422 09	A/R	Shim, camshaft red				
	12 422 13	A/R	Shim, camshaft black				
	12 422 07	A/R	Shim, camshaft white				
	12 422 08	A/R	Shim, camshaft blue				
	12 422 10	A/R	Shim, camshaft yellow				
	12 422 11	A/R	Shim, camshaft green				
	12 422 12	A/R	Shim, camshaft gray				
10	24 012 10	1	Camshaft				
11	52 139 09	1	Plug, cup				
12	M-0545010	2	Screw, hex. flange				
13	24 018 04	2	Retainer, reed				
14	24 402 05	2	Reed, breather				

Obtain Parts From Kohler

# Head/Valve/Breather Assembly

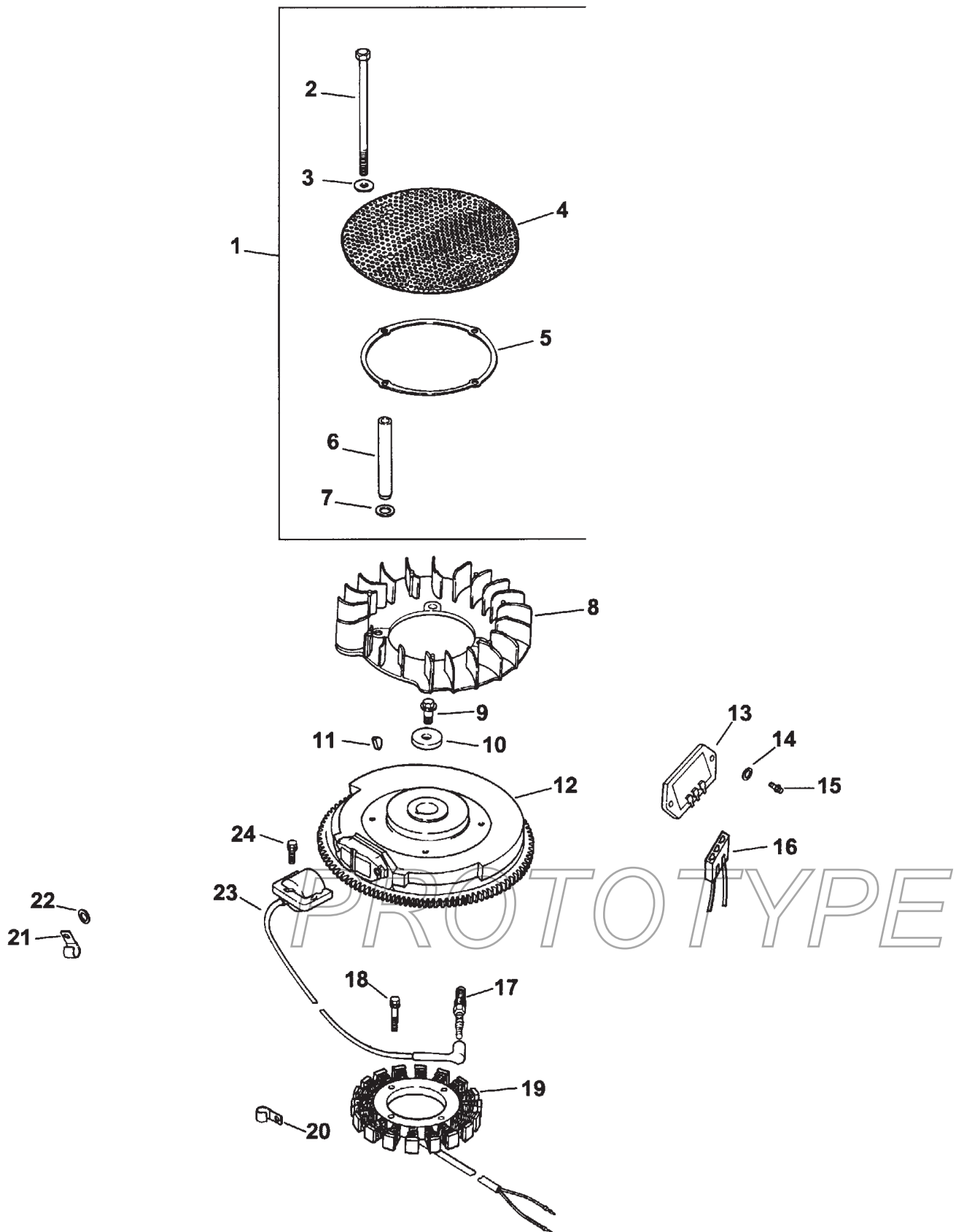


# Head/Valve/Breather Assembly

Ref. No.	Part No.	Qty.	Description	Ref. No.	Part No.	Qty.	Description
1	24 033 03	1	Kit, breather cover w/gasket (Incl. 2,3)				
2	24 041 23	1	Gasket, breather				
3	24 096 59	1	Cover, breather				
4	M-0645020	4	Screw, hex. flange				
5	25 351 01	4	Lifter, valve				
6	24 755 66	1	Kit, valve train (Includes 7,10,11)				
7	24 411 05	4	Rod, push				
8	24 041 08	2	Gasket, cylinder head				
9	24 318 12	1	Head assembly, #2 cylinder				
10	25 186 01	4	Arm, rocker				
11	24 599 01	4	Pivot, rocker arm				
12	M-0640034	4	Screw, hex. flange				
13	12 086 16	8	Screw, hex. flange				
14	24 755 74	1	Kit, valve cover – plain (Includes 15,16)				
15	24 153 16	1	O-Ring				
16	24 086 32	4	Screw, shoulder				
17	24 445 01	1	Strap, lifting				
18	24 016 01	2	Valve, exhaust (Std.)				
	24 016 02	2	Valve, exhaust (.25)				
19	24 017 01	2	Valve, intake (Std.)				
	24 017 02	2	Valve, intake (.25)				
20	24 032 05	2	Seal, valve stem				
21	235011	4	Retainer, spring				
22	24 089 02	4	Spring, valve				
23	12 173 01	4	Cap, valve spring				
24	12 755 03	4	Kit, retainer				
25	24 318 11	1	Head assembly, #1 cylinder				
26	24 755 76	1	Kit, valve cover breather (Incl. 15,16,27)				
27	25 313 02	1	Grommet, rubber				
28	24 755 57	1	Kit, breather separator (Includes 27,29-32)				
29	M-0545016	2	Screw, hex. flange				
30	24 445 02	1	Strap, breather				
31	24 126 44	1	Bracket, breather separator				
32	24 112 12	1	Spacer				
33	24 294 06	1	Fitting				
34	24 326 13	1	Hose, breather				
35	24 326 14	1	Hose, breather				
36	X-426-9	2	Clamp, hose 1/2"				

Obtain Parts From Kohler

# Ignition/Electrical Assembly



# Ignition/Electrical Assembly

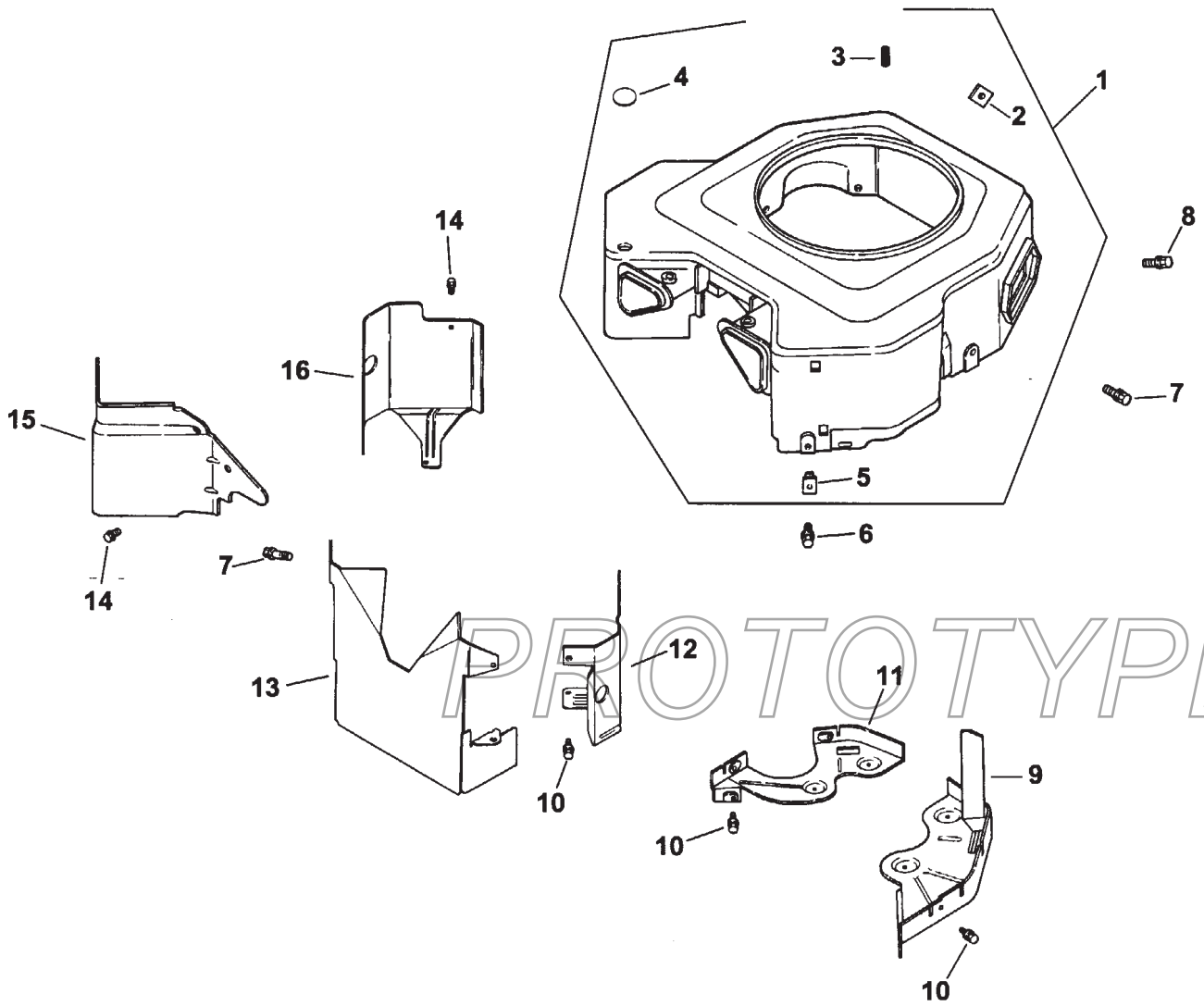
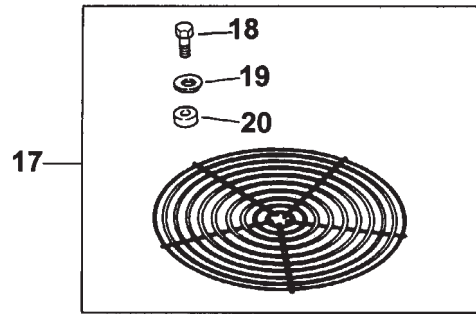
Ref. No.	Part No.	Qty.	Description	Ref. No.	Part No.	Qty.	Description
1	24 755 79	1	Kit, chopper screen (Includes 2-7)				
2	M-0603100	4	Screw, hex. cap				
3	X-25-53	4	Washer, plain 1/4"				
4	24 162 25	1	Screen, grass				
5	24 141 06	1	Ring, support				
6	24 112 14	4	Spacer, grass screen				
7	24 468 11	4	Washer, spring 10 mm				
8	24 157 03	1	Fan				
9	12 086 14	1	Screw, hex. flange				
10	12 468 03	1	Washer, plain 3/8"				
11	X-42-15	1	Key				
12	24 025 04	1	Flywheel				
13	25 403 03	1	Rectifier-regulator				
14	X-25-92	2	Washer, plain 3/16"				
15	24 086 18	2	Screw, phillips hd.				
16	236602	1	Connector (3 contact)				
17	12 132 06	2	Spark Plug				
18	M-0548025	2	Screw, hex. cap				
19	54 755 09	1	Kit, 15 amp stator (Includes Bracket, stator wire 24 126 71)				
20	235173	1	Clip, cable				
21	48 154 02	1	Clip, cable				
22	X-25-63	1	Washer, plain 1/4"				
23	24 584 01	2	Module, ignition				
24	M-0545020	4	Screw, hex. flange				
*	24 126 71	1	Bracket, stator wire				
*	X-22-11	1	Washer, plain 1/4" (to ground rectifier-regulator)				
*	25 086 43	1	Screw, set				
*	24 176 07	1	Harness, wiring				
*	25 518 28	1	Lead, black (rectifier-regulator 4" 18 gauge - insulated grip barrel eyelets)				

PROTOTYPE

**Obtain Parts From Kohler**

\* Not Illustrated

# Blower Housing & Baffles Assembly



# Blower Housing & Baffles Assembly

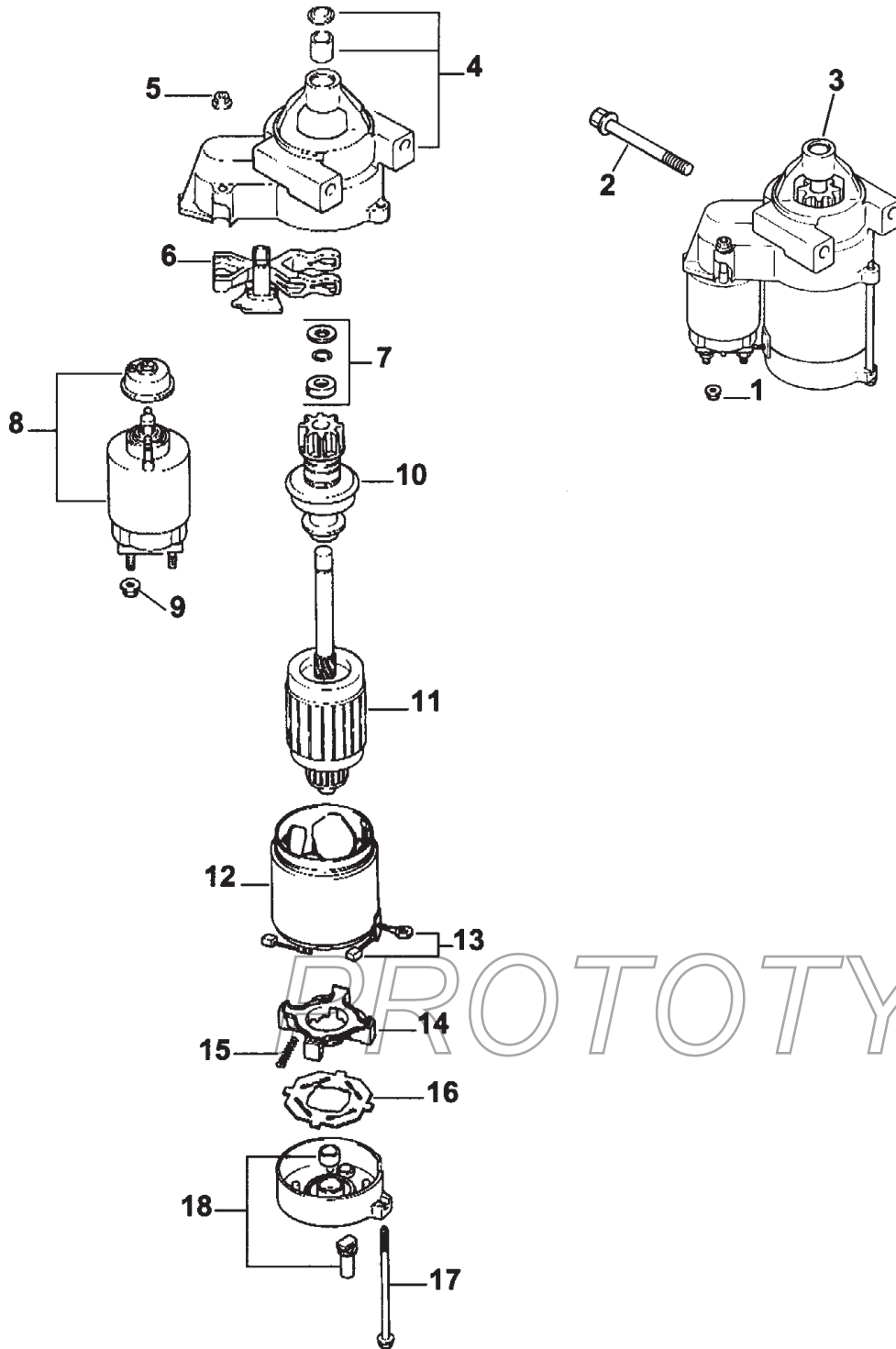
Ref. No.	Part No.	Qty.	Description	Ref. No.	Part No.	Qty.	Description
1	24 027 28	1	Housing, blower (Includes 2-5)				
2	24 100 01	3	Nut, plastic				
3	25 086 43	1	Screw, set				
4	25 139 16	1	Plug, button 9/16"				
5	24 100 02	2	Nut, plastic				
6	M-0567020	4	Screw, hex. flange				
7	M-0545016	3	Screw, hex. flange				
8	M-0551016	1	Screw, hex. flange				
9	24 146 02	1	Plate, backing # 2 side				
10	M-0645016	6	Screw, hex. flange				
11	24 146 08	1	Baffle, valley - #1 side				
12	24 063 20	1	Baffle, cylinder barrel # 2 side				
13	24 063 23	1	Baffle, valley - #1 side				
14	M-0545010	2	Screw, hex. flange				
15	24 063 14	1	Baffle, valley - #2 side				
16	24 063 30	1	Baffle, cylinder barrel # 1 side				
17	24 755 94	3	Kit, guard (Includes 18-20, Threaded insert [Qty. 3] 24 332 01)				
18	24 086 39	3	Screw, pan hd.				
19	24 468 10	3	Washer, flat 1/4"				
20	24 112 09	3	Spacer				
*	24 332 01	4	Insert, threaded				
*	24 113 67	1	Decal, 20 HP				

PROTOTYPE

Obtain Parts From Kohler

\* Not Illustrated

# Starting System Assembly

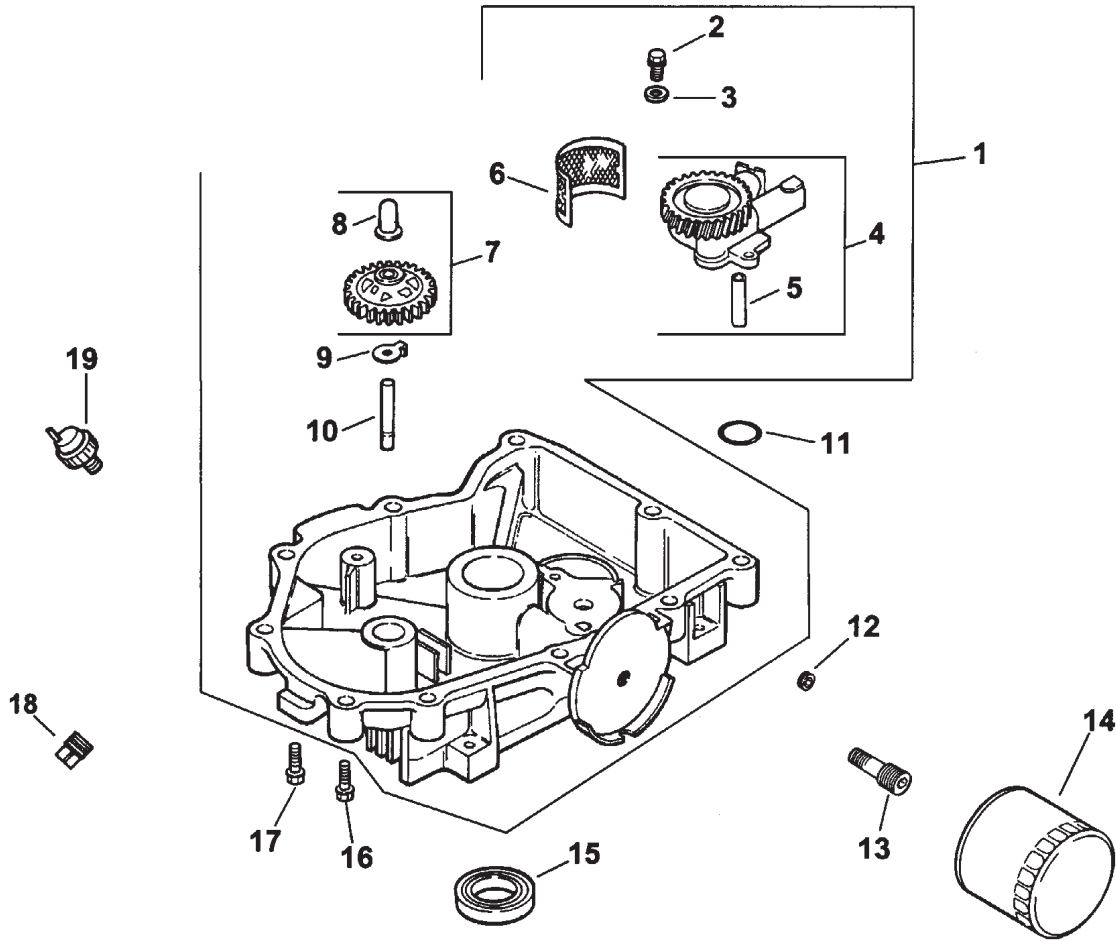


# Starting System Assembly

Ref. No.	Part No.	Qty.	Description	Ref. No.	Part No.	Qty.	Description
1	M-0841080	1	Nut, hex. flange				
2	M-0839080	2	Screw, hex. flange				
3	12 098 03	1	Starter, solenoid shift (Includes 4-18)				
4	12 081 02	1	Drive, end cap				
5	52 100 10	2	Nut, starter				
6	12 090 10	1	Lever, starter drive				
7	24 755 84	1	Kit, starter repair				
8	52 435 02	1	Solenoid				
9	52 100 09	1	Nut, starter				
10	12 239 01	1	Drive, pinion				
11	12 170 03	1	Armature, starter				
12	12 471 01	1	Frame				
13	52 221 01	1	Kit, brush (Includes 15)				
14	52 323 03	1	Holder, brush				
15	52 089 09	4	Spring, brush				
16	52 168 01	1	Insulator				
17	52 211 05	2	Bolt, thru				
18	12 301 01	1	Commutator, end cap				

PROTOTYPE

Obtain Parts From Kohler

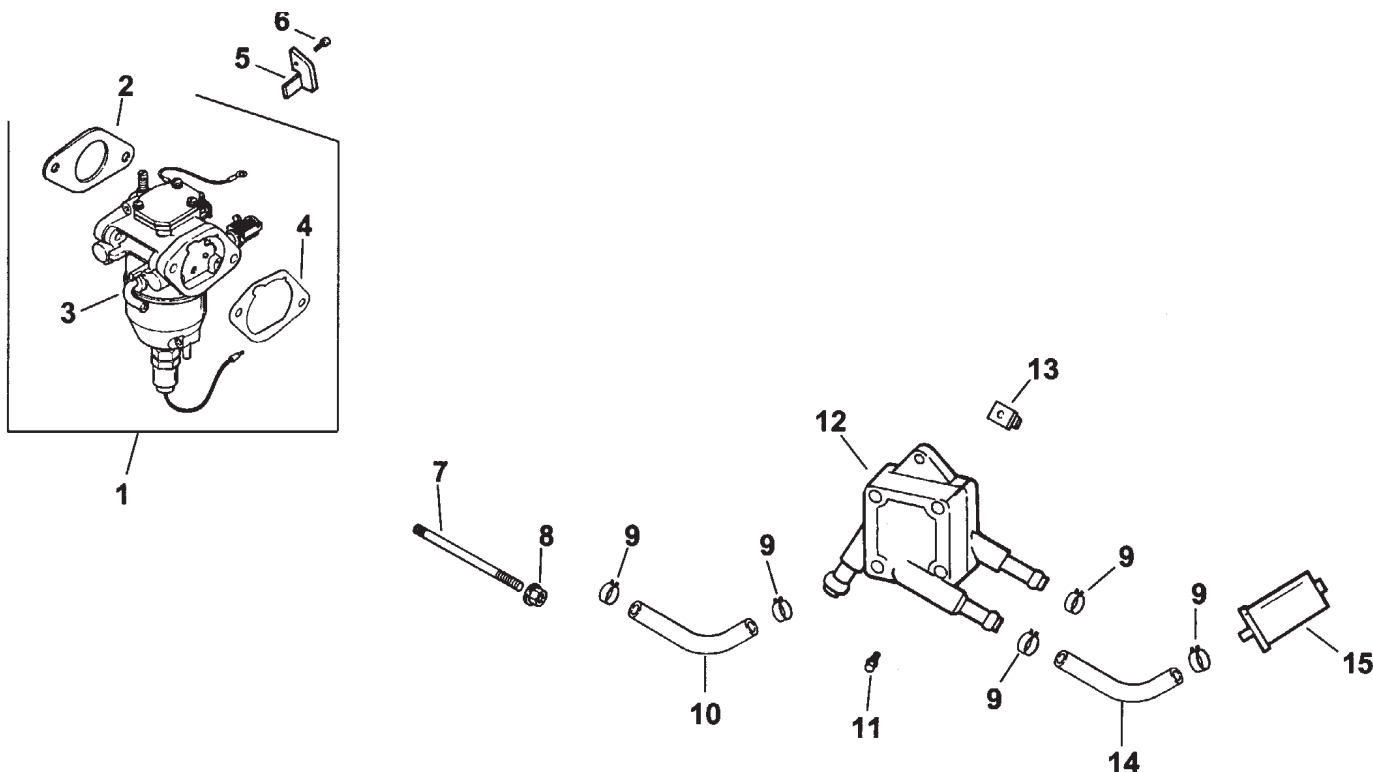


### Oil Pan/Lubrication Assembly

Ref. No.	Part No.	Qty.	Description
1	24 199 07	1	Pan, oil assembly (Includes 2-10)
2	M-0645025	2	Screw, hex. flange
3	M-0631005	2	Washer, plain 6 mm
4	24 393 08	1	Oil pump assembly (Includes 5)
5	24 123 05	1	Tube, oil pickup
6	24 162 26	1	Screen, oil
7	24 043 12	1	Kit, governor gear w/pin (Includes 8)
8	12 380 01	1	Pin, gvm. regulating
9	52 448 02	1	Tab, locking
10	12 144 02	1	Shaft, governor gear
11	24 153 08	1	O-Ring
12	X-75-32	1	Plug, hex. ctsk. 3/8"
13	24 136 01	1	Nipple, oil filter
14	52 050 02	1	Filter, oil
15	52 032 08	1	Seal, oil (PTO end)
16	24 086 17	1	Screw, hex. flange
17	24 086 16	9	Screw, hex. flange
18	X-75-10	1	Plug, hex. head 3/8"
19	24 099 03	1	Switch, oil pressure

Ref. No.	Part No.	Qty.	Description
PROTOTYPE			

Obtain Parts From Kohler



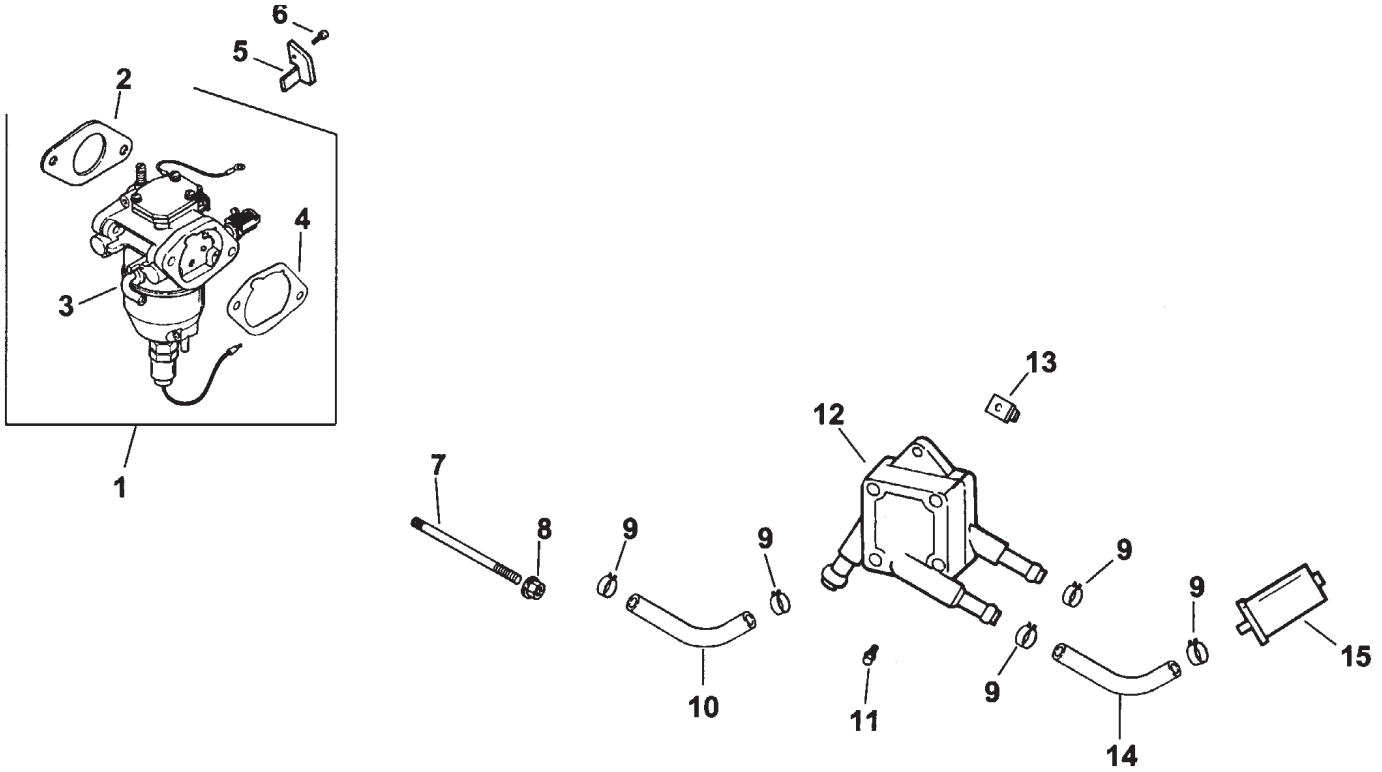
### Fuel System Assembly

Ref. No.	Part No.	Qty.	Description
1	24 853 25	1	Kit, carburetor with gaskets (Includes 2-4)
2	24 041 15	1	Gasket, carburetor
3	24 053 25	1	Carburetor assembly (For information only not available separately) (Includes 24 757 18, 24 757 19, 24 757 20, 24 757 22)
4	24 041 14	1	Gasket, air cleaner
5	24 126 53	1	Bracket, throttle stop
6	M-0259005	1	Screw, pan hd.
7	M-0629095	2	Stud
8	M-0641060	2	Nut, hex. flange
9	X-426-9	6	Clamp, hose
10	24 353 03	2	Line, fuel 10-1/2"
11	24 086 12	2	Screw, hex. cap.
12	24 393 04	1	Pump, fuel - pulse
13	24 100 01	2	Nut, plastic
14	25 353 10	1	Line, fuel 9"
15	24 050 02	1	Filter, fuel
*	24 757 18		Kit, overhaul w/gaskets (Includes air cleaner base gasket, carburetor gasket, throttle adjusting screw, gasket, idle

Ref. No.	Part No.	Qty.	Description
			adjusting screw, float, float pin, float valve, float chamber gasket, throttle adjusting screw spring, idle adjusting screw spring, passage cover gasket)
	* 24 757 19		Kit, choke repair w/gaskets (Includes air cleaner base gasket, carburetor gasket, valve set screw, choke valve, choke shaft filter, choke arm return spring, choke lever ring, choke collar, choke shaft assembly, choke lever assembly)
	* 24 757 20		Kit, gasket (Includes air cleaner base gasket, carburetor gasket, float chamber gasket, passage cover gasket)

Obtain Parts From Kohler

\* Not Illustrated



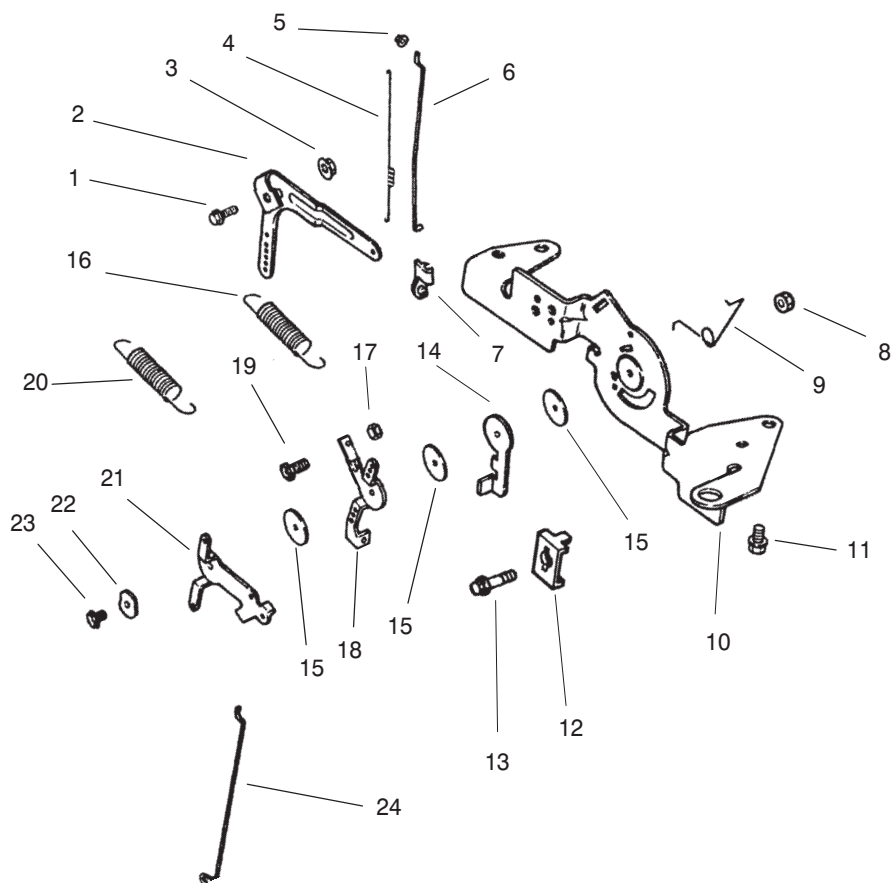
### Fuel System Assembly (Continued)

Ref. No.	Part No.	Qty.	Description	Ref. No.	Part No.	Qty.	Description
*	24 757 22		Kit, solenoid replacement w/gaskets (Includes air cleaner base gasket, carburetor gasket, solenoid gasket, chamber screw gasket, solenoid holder, solenoid valve)				

PROTOTYPE

Obtain Parts From Kohler

\* Not Illustrated



## Engine Controls Assembly

Ref. No.	Part No.	Qty.	Description	Ref. No.	Part No.	Qty.	Description
1	SM-0642025	1	Screw, hex. flange				
2	24 090 14	1	Lever, governor				
3	M-0641060	1	Nut, hex. flange				
4	24 089 01	1	Spring, linkage				
5	25 158 08	1	Bushing, linkage retaining				
6	24 079 04	1	Linkage, throttle				
7	25 158 11	1	Bushing, throttle linkage				
8	M-0547050	1	Nut, hex. lock				
9	24 089 03	1	Spring, choke return				
10	24 126 56	1	Bracket, control				
11	M-0645016	4	Screw, hex. flange				
12	12 237 01	2	Clamp, cable				
13	M-0545016	3	Screw, hex. flange				
14	24 090 07	1	Lever, throttle actuator				
15	24 468 01	3	Washer, plain 5.5 mm				
16	24 089 15	1	Spring, governor				
17	M-0446030	1	Nut, hex.				
18	24 090 03	1	Lever, throttle control				
19	M-0545020	1	Screw, hex. flange				
20	24 089 38	1	Spring, throttle limiter				
21	24 090 05	1	Lever, choke				
22	41 468 03	1	Washer, spring 1/4"				
23	M-0403025	1	Screw, hex. cap				
24	24 079 05	1	Linkage, choke				

Obtain Parts From Kohler











*PROTOTYPE*