



Z286E

Z-Master[®] with 72" SFS Side Discharge Mower

Model No. 74241-21000001 and Up

Parts Catalog

Ordering Replacement Parts

To order replacement parts, please supply: the part number, the quantity, and the description of each part desired.

Understanding Reference Numbers

Each identified part in an illustration has a reference number. The reference number for a part also appears in the parts list, along with other information about the part.

This catalog uses two special reference number formats, one to indicate parts in a service assembly and another to indicate the quantity of a given part in an illustration.

Service Assembly Reference Numbers

Parts in service assemblies have reference numbers in the form **a:b**. The **a** represents the reference number of the entire service assembly and the **b** represents a sequential number unique to each part within the service assembly.

For example, a wheel assembly might be identified by reference number **6**, the tire by **6:1**, the valve by **6:2**, and the wheel by **6:3**. When you order the assembly identified by reference number **6**, you receive all parts identified by reference numbers **6:1**, **6:2**, and **6:3**. However, you may also order any part individually.

Reference numbers of this type appear in illustrations and in part lists.

Reference Numbers Indicating Quantity

In an illustration, if a reference number indicates more than one part, the reference number has the form **nX y**. The **n** represents the quantity of the part, the **X** is the multiplication symbol, and the **y** represents the reference number.

For example, in an illustration, the reference number **2X 37** means that two of the parts identified by reference number **37** are indicated.

Contents

Description	Page	Description	Page
Front Frame Assembly	3	Belt and Idler Arm Assembly	19
Caster Wheel Assembly	4	Stand Assembly	20
Rear Frame and Wheel Assembly	5	Crankshaft Assembly	21
Brake and Wheel Hub Assembly	7	Crankcase Assembly	22
Control Panel Assembly	8	Oil Pan/Lubrication Assembly	23
Hydraulic System Assembly	9	Head/Valve/Breather Assembly7)	24
Shield and Clutch Assembly	11	Ignition/Electrical Assembly	25
Idler Assembly	13	Blower Housing and Baffles Assembly	26
Frame and Deck Assembly	14	Starting System Assembly	27
Tank and Fuel Line Assembly	15	Fuel System Assembly	28
Electrical System Assembly	16	Engine Control Assembly	29
Deck, Deflector and Roller Assembly	17	Air Intake/Filtration Assembly	30
Spindle and Pulley Assembly	18	Exhaust Assembly	31

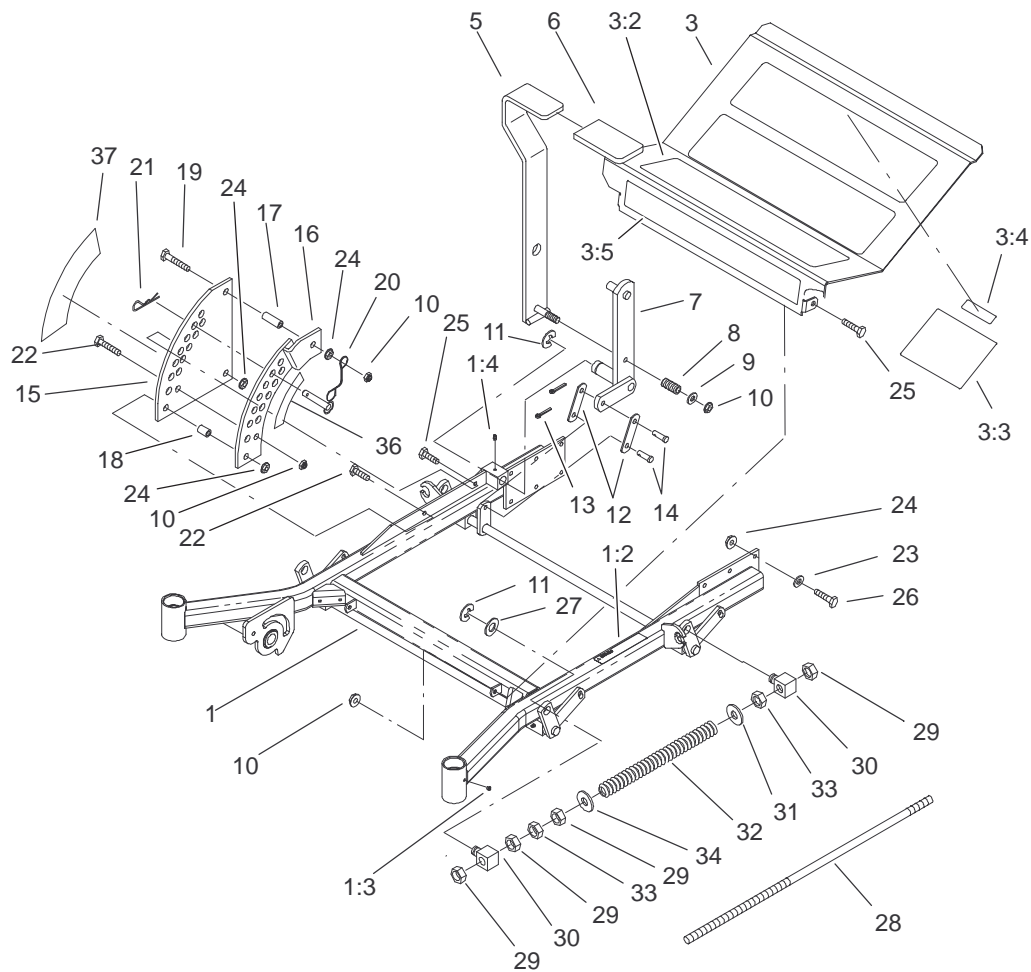
Accessories

Description	Model / Part No.	Description	Model / Part No.
Roll Over Protection System Kit	78480	Atomic Blade Assembly	104-1304
Hitch Kit	99-8925	Stripping Kit	30163

Part Description Abbreviations

Part descriptions in this catalog may include the following abbreviations.

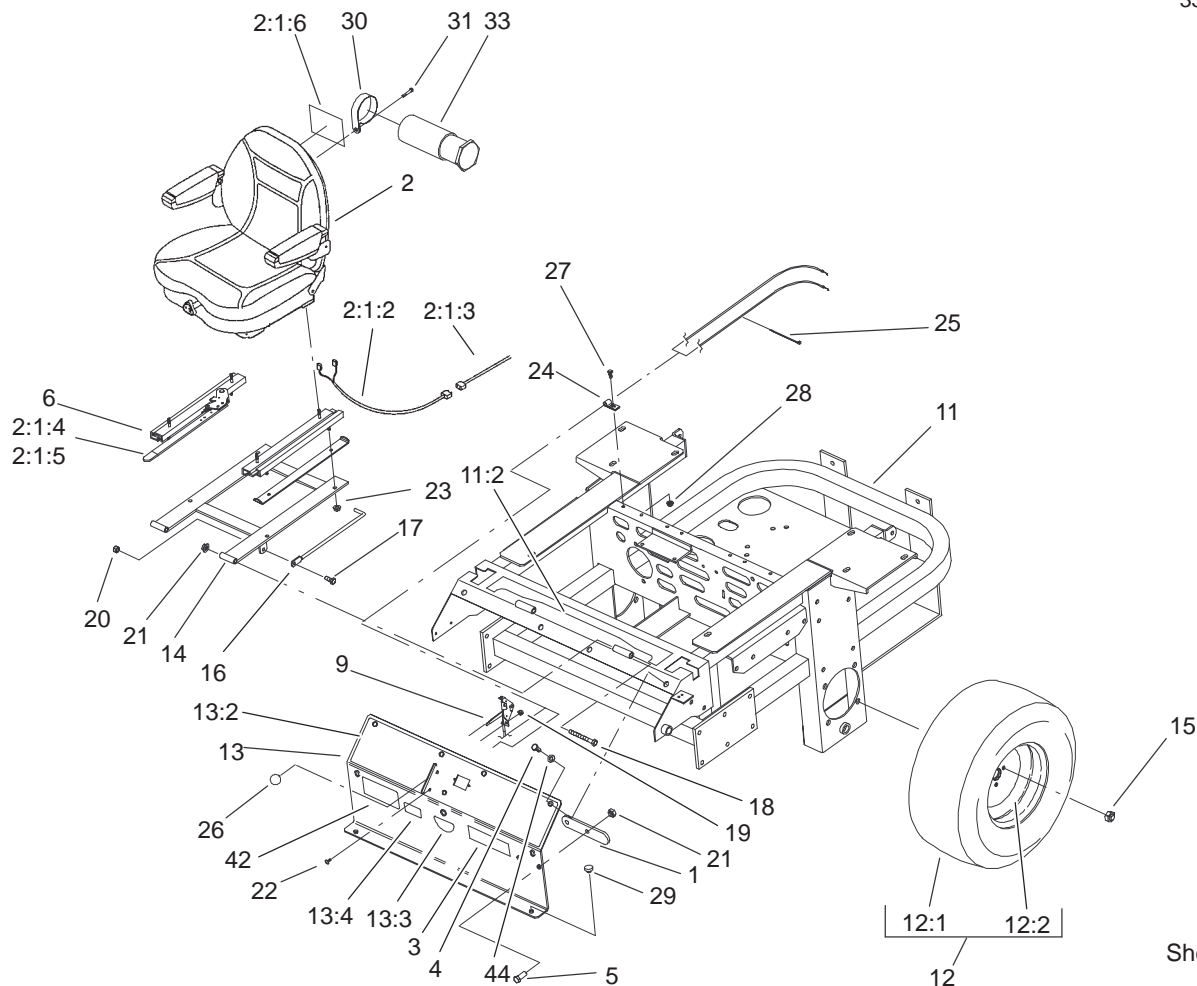
Abbreviation	Meaning	Abbreviation	Meaning
AR	as required	INC	incorporated
ASM	assembly	LH	left hand
CARR	carriage	NI	nylon insert
DEG	degrees	PPH	Phillips pan head
FH	flat head	PTH	Phillips truss head
GA	gauge	PTO	power take off
HF	hex flange	RH	right hand
HH	hex head	SFH	slotted fillister head
HHF	hex head flange	SHH	slotted hex head
HLH	hex lag head	SQH	square head
HJ	hex jam	SHWH	slotted hex washer head
HOC	height-of-cut	SPH	slotted pan head
HS	hex socket	SRH	slotted round head
HSBH	hex socket button head	STD	standard
HSFH	hex socket flat head	TAP	self tapping
HSH	hex socket head	TTH	Torx truss head
HWH	hex washer head	WH	wing head
HWHTF	hex washer head thread forming		



Sheet No.:2

Front Frame Assembly

Ref. No.	Part No.	Qty.	Description	Ref. No.	Part No.	Qty.	Description
1	104-5133	1	Frame ASM	22	323-9	2	Screw-HH
1:2	1-633818	1	Decal-Warning	23	98-5975	12	Washer-Belleville
1:3	1-811010	2	Plug	24	3290-357	15	Nut-Flange, Lock
1:4	302-19	5	Fitting-Grease	25	323-6	3	Screw-HH
3	100-6509	1	Floorpan ASM	26	323-7	12	Screw-HH
3:2	1-633553	3	Pad-Antiskid	27	3256-29	4	Washer-Flat
3:3	1-633766	1	Decal-Check	28	1-633096	2	Rod-Lift, Deck
3:4	98-5954	1	Decal-Missing, Cover	29	3217-11	8	Nut-Hex
3:5	1-633737	1	Decal-Z-Master	30	1-633441	4	Swivel-Deck Mount, Rear
5	1-632324-03	1	Lever-Lift	31	3256-7	2	Washer-Flat
6	1-633295	1	Grip-Lever, Lift	32	1-633064	2	Spring-Support, Deck
7	1-632219-03	1	Arm-Lift, Deck	33	3218-6	4	Nut-Jam
8	1-633325	1	Spring-Compression	34	3256-7	2	Washer-Flat
9	3256-24	1	Washer-Flat	36	1-633706	1	Decal-Height, Deck
10	3296-39	5	Nut-Lock, NI	37	1-633345	1	Decal-Height, Deck
11	32151-103	5	Ring-Snap				
12	1-633068	2	Arm-Lift, Deck				
13	3272-10	2	Pin-Cotter				
14	283-2	2	Pin-Clevis				
15	1-633889-01	1	Plate-Lift, Deck				
16	1-632899-01	1	Plate-Lift, Deck				
17	1-633082	1	Bushing-Lever, Lift				
18	1-633080	1	Bushing-Lever, Lift				
19	323-13	1	Screw-HH				
20	1-633097	1	Pin-Hitch w/Lanyard				
21	1-806005	1	Pin-Hair				

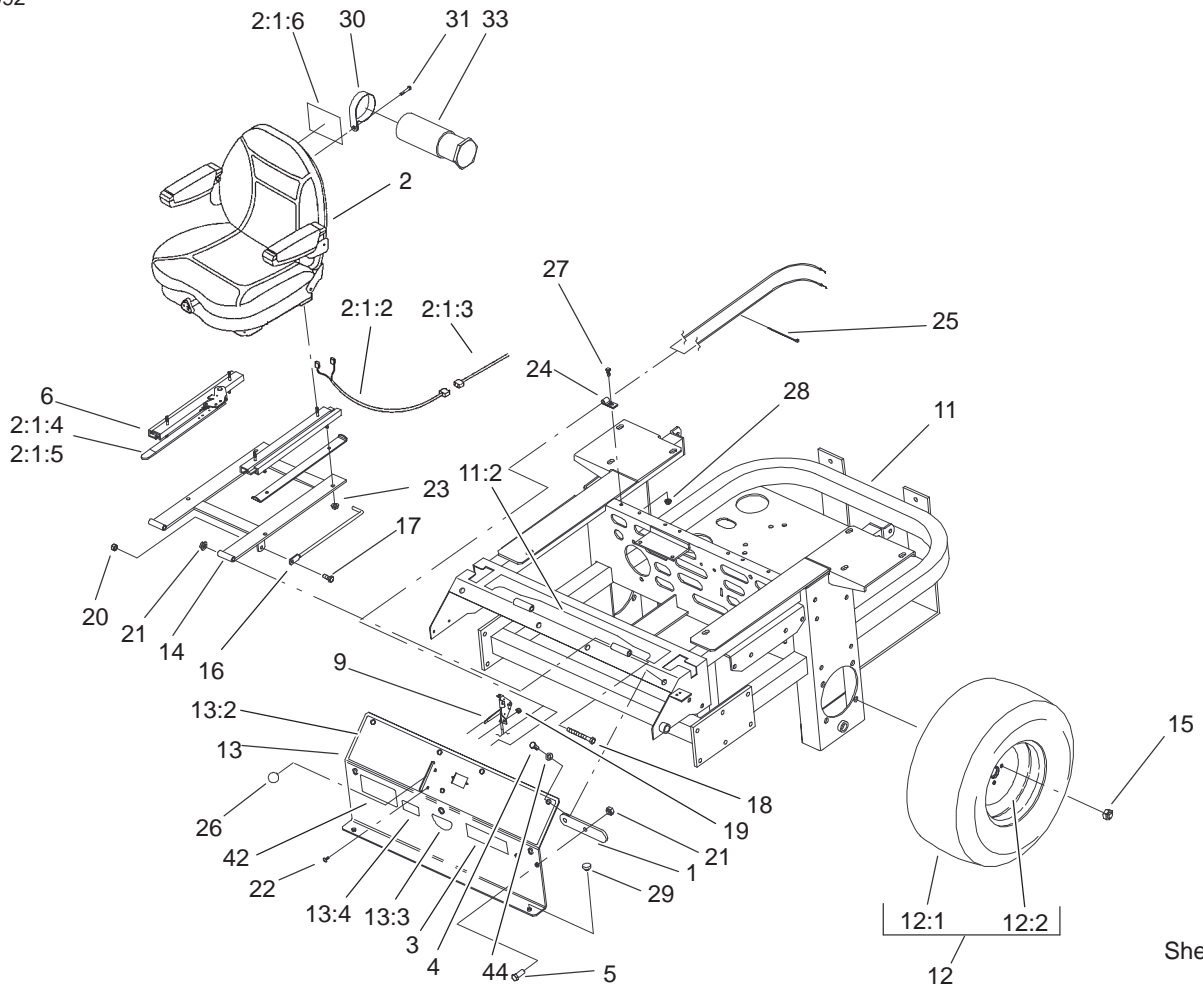
Sheet No.:4
C-2978

Rear Frame and Wheel Assembly

Ref. No.	Part No.	Qty.	Description
1	1-633964-03	1	Stop-Brake, Park
2	74210	1	Seat-Suspension, High
☆2:1		1	Kit-Suspension, Seat
2:1:2	1-633840	1	Harness-Wiring, Seat
2:1:3	1-303335	1	Tie-Plastic
2:1:4	1-633872-03	2	Stop-Seat
2:1:5	1-653282-03	2	Stop/Spacer-Seat
2:1:6	99-4693	1	Decal-Toro
*2:99	1-631842	1	Kit-Pad, Armrest
*2:99	1-631843	1	Kit-Boot
*2:99	1-631844	1	Arm Kit ASM
*2:99	1-631845	1	Pan ASM
*2:99	1-631846	1	Kit-Damper
*2:99	1-631847	1	Kit-Roller
*2:99	1-631848	1	Kit-Spring & Cable
*2:99	1-631849	1	Kit-Knob & Shaft
*2:99	1-643281	1	Switch-Seat
3	100-4329	1	Decal-EFI
4	322-3	6	Screw-HH
5	323-6	2	Screw-HH
6	1-643255	1	Track-Seat, 4"
9	1-633696	1	Cable-Throttle
11	100-4261	1	Rear Frame ASM
11:2	103-0245	1	Decal-Console, Top
12	1-633970	2	Wheel & Tire ASM

Ref. No.	Part No.	Qty.	Description
12:1	1-633993	1	Tire
12:2	1-633992	1	Wheel
13	100-4322	1	Console ASM
13:2	100-4311	1	Decal-Panel, Control
13:3	103-0261	1	Decal-Valve, Fuel
13:4	98-4387	1	Decal-Protection, Ear
14	1-632187-03	1	Frame - Seat
15	242-50	8	Nut - Lug
16	1-633293	1	Rod-Holdup, Seat
17	322-5	1	Screw-HH
18	323-21	2	Screw-HH
19	3296-2	2	Nut-Lock
20	3296-29	1	Nut-Lock
21	3296-39	4	Nut-Lock, NI
22	1-807513	2	Bolt-CARR
23	32128-20	4	Nut-HF
24	1-513762	1	Clip-Loom
25	1-303335	1	Tie-Plastic
26	1-513592	1	Knob-Ball, Red
27	321-4	1	Screw-HH
28	32128-33	1	Nut-HF
29	1-513658	2	Bumper-Catcher, Grass
30	2412-133	2	R-Clamp
31	32144-70	2	Screw-HH
33	74-0720	1	Tube-Manual

☆ Not serviced
* Not illustrated

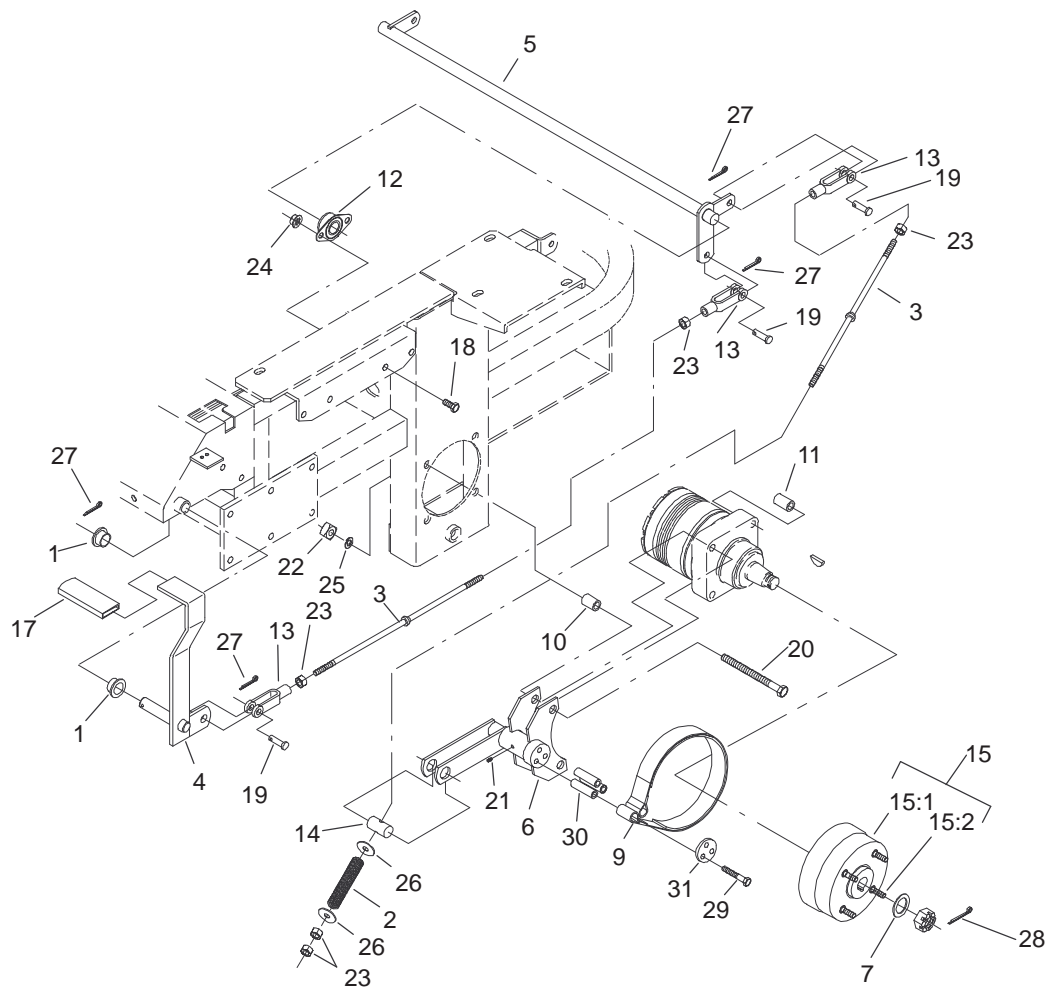


Sheet No.:4
C-2978

Rear Frame and Wheel Assembly

Ref. No.	Part No.	Qty.	Description
42	104-7786	1	Decal-Z286E
44	3256-23	6	Washer-Flat

Ref. No.	Part No.	Qty.	Description
----------	----------	------	-------------

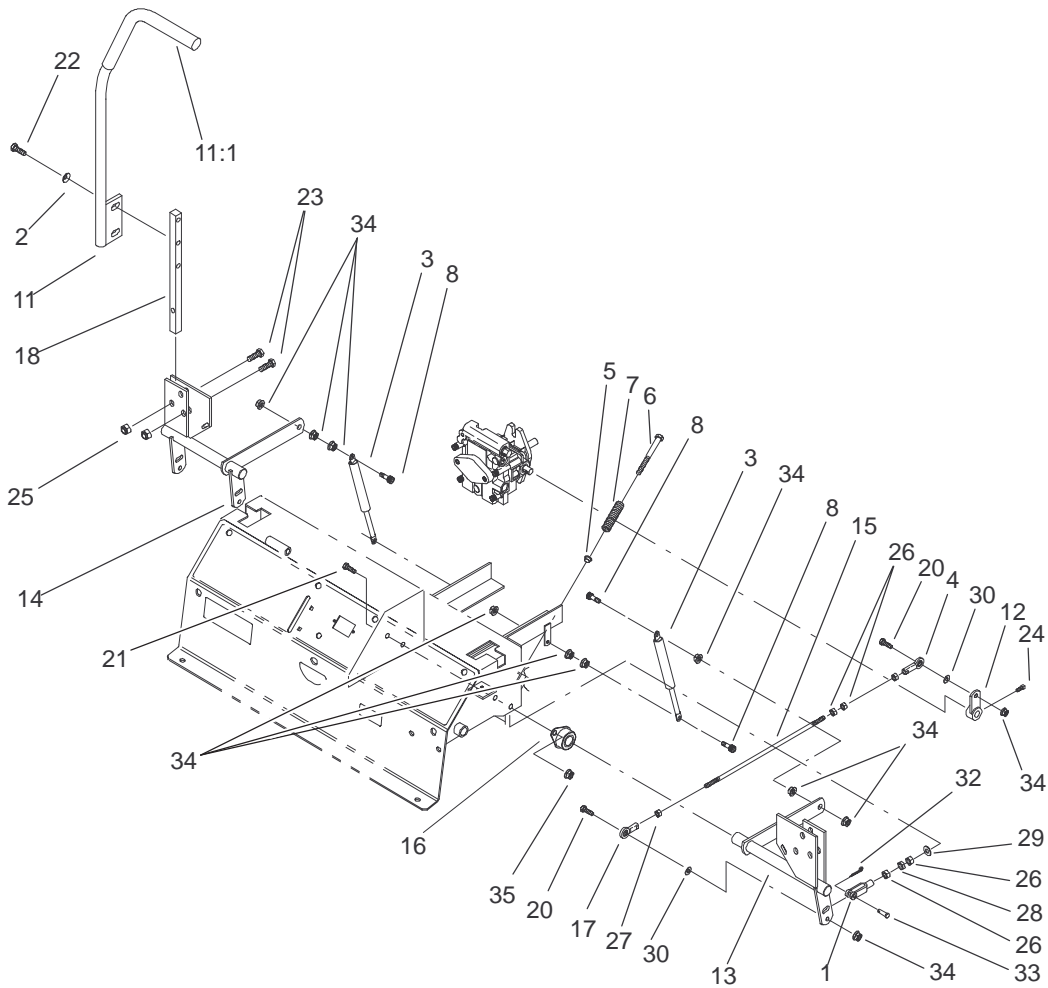


Sheet No.:5

Brake and Wheel Hub Assembly

Ref. No.	Part No.	Qty.	Description
1	1-513140	2	Bearing-Control
2	1-633454	2	Spring-Brake
3	1-633477	3	Rod-Brake
4	1-634500	1	Brake Lever/Grip ASM
5	1-632217-03	1	Shaft-Brake
6	103-0354-03	2	Bracket-Brake
7	1-523157	2	Washer-Spacer
9	103-0355	2	Band-Brake
10	1-633060	4	Spacer-Wheel, Short
11	1-633062	4	Spacer-Wheel, Long
12	1-633102	2	Bearing-Flange, Side
13	1-633131	4	Yoke-Linkage, Brake
14	1-633144	2	Pin-Trunion
15	103-0590	2	Hub-Wheel w/Studs
15:1	103-0589	1	Hub-Wheel
15:2	1-633926	4	Stud-Heel
17	1-633268	1	Grip-Lever, Brake
18	323-4	4	Screw-HH
19	1-808285	4	Pin-Clevis
20	325-20	8	Screw-HH
21	302-19	2	Fitting-Grease
22	103-0131	8	Nut-Square
23	3219-3	8	Nut-HH
24	3290-357	4	Nut-Flange, Lock
25	3253-7	8	Washer-Lock
26	3256-4	4	Washer-Flat

Ref. No.	Part No.	Qty.	Description
27	3272-10	7	Pin-Cotter
28	1-806800	2	Pin-Cotter
29	322-9	6	Screw-HH
30	103-0384	6	Spacer
31	103-0374	2	Retainer-Band, Brake



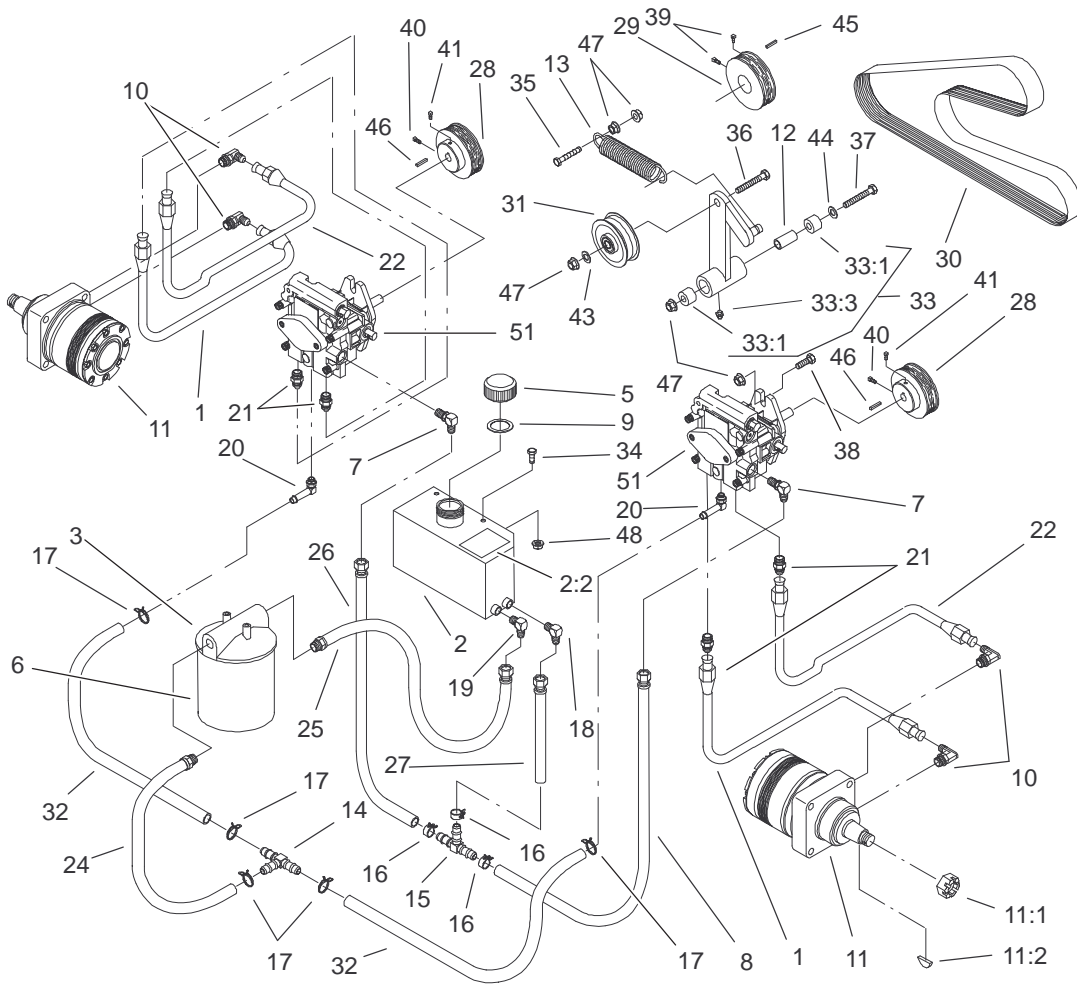
Sheet No.:6

Control Panel Assembly

Ref. No.	Part No.	Qty.	Description
1	1-303105	2	Yoke-Adjustable
2	98-5975	4	Washer-Belleville
3	1-523027	2	Damper-Control
4	1-543017	2	Balljoint-RH
5	1-603735	2	Bushing-Flanged, Nylon
6	1-603737	2	Bolt-Return, Neutral
7	1-603807	2	Spring-Return, Neutral
8	1-403180	4	Screw-HH
11	103-0632	1	RH Lever/Grip ASM
11:1	1-633257	1	Grip-Control, Motion
12	1-632208-03	2	Arm-Control, Pump
13	1-642319	1	Control-Motion, LH
14	1-642320	1	Control-Motion, RH
15	1-633153	2	Linkage-Pump/Lever
16	1-633102	4	Bearing-Flange, Side
17	1-633152	2	Balljoint-Thread, LH
18	103-0407	2	Arm-Shaft, Control
20	322-6	4	Screw-HH
21	323-4	8	Screw-HH
22	323-6	4	Screw-HH
23	323-9	6	Screw-HH
24	1-803022	2	Screw
25	3296-39	6	Nut-Lock, NI
26	3219-2	10	Nut-Hex

Ref. No.	Part No.	Qty.	Description
27	3220-20	2	Nut-Jam
28	3220-2	2	Nut
29	3256-2	2	Washer-Flat
30	3256-3	4	Washer-Flat
32	3272-5	2	Pin-Cotter
33	1-808280	2	Pin-Clevis
34	32128-20	16	Nut-HF
35	3290-357	8	Nut-Flange, Lock
*37	103-0631	1	LH Lever/Grip ASM

* Not illustrated



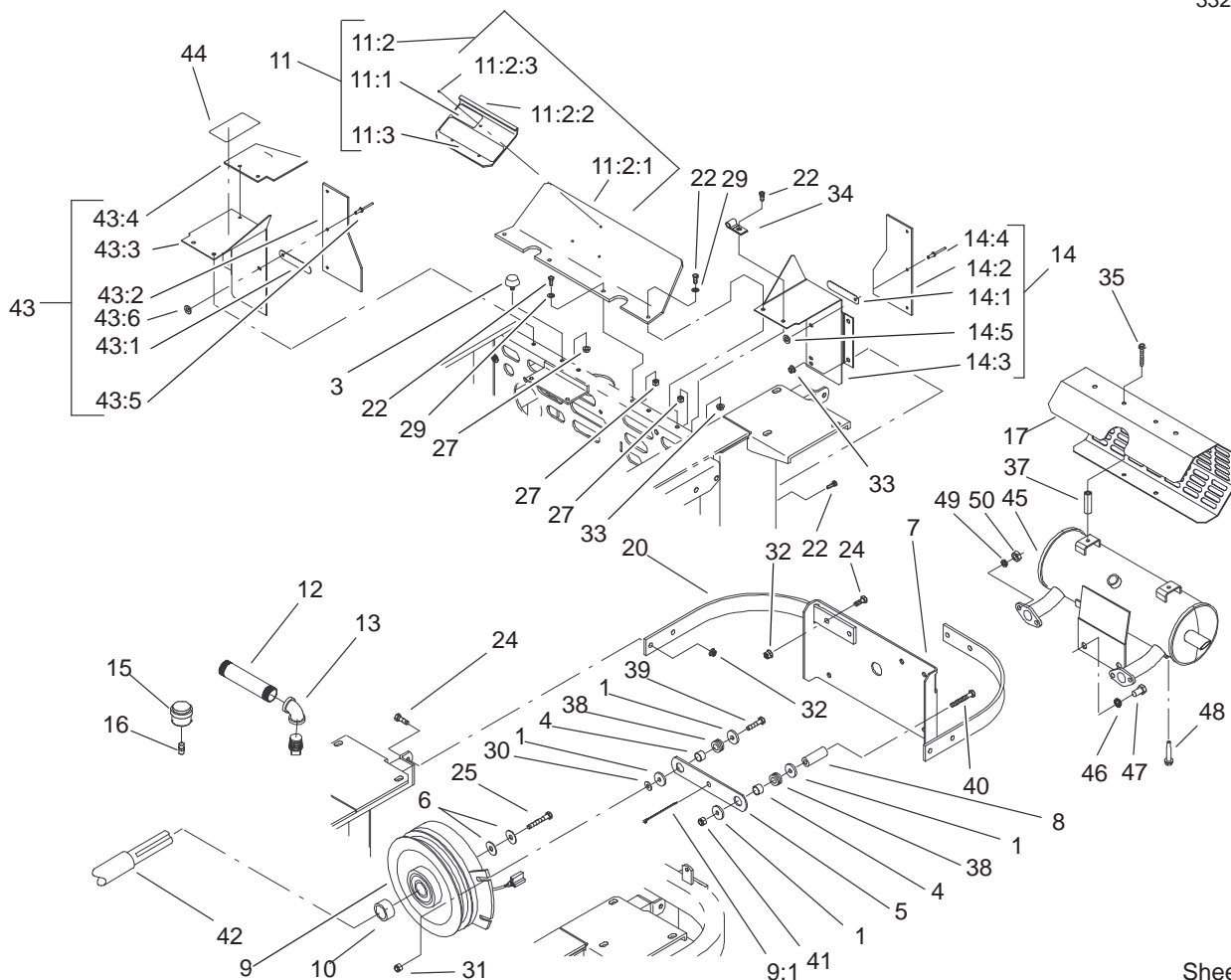
Sheet No.:7

Hydraulic System Assembly

Ref. No.	Part No.	Qty.	Description
1	1-633776	2	Hose-Upper
2	99-4625	1	Hydraulic Tank ASM
2:2	1-523552	1	Decal-Tank, Hydraulic
3	1-513006	1	Filter-Head
5	1-513167	1	Cap-Reservoir, Hydraulic
6	1-633750	1	Filter-Hydraulic
6	1-633752	1	Filter-Winter, Hydraulic
7	1-513840	2	Fitting-90°
8	1-522217	1	Low Pressure Hose ASM
9	1-523103	1	Gasket-Cap, Tank
10	1-633786	4	Fitting-90°
11	1-523328	2	Motor-Wheel
11:1	1-809036	1	Nut-HH
11:2	1-807020	1	Key-Woodruff
*11:99	1-000099	1	Kit-Seal
*11:99	1-000139	1	Kit-Bearing
12	1-603384	1	Bushing-Pivot, Idler
13	1-603413	1	Spring-Extension
14	1-603721	1	Fitting-Tee, Hose
15	1-603722	1	Fitting-Tee, Hose
16	1-603826	3	Clamp-Hose
17	1-603827	5	Clamp-Hose
18	1-603987	1	Fitting-Elbow

Ref. No.	Part No.	Qty.	Description
19	1-603988	1	Fitting-Elbow
20	1-603989	2	Fitting-Elbow
21	1-603990	4	Fitting-Straight
22	1-633777	2	Hose-Lower
24	1-632281	1	Hose ASM
25	1-632282	1	Hose ASM
26	1-632285	1	Hose ASM
27	1-632286	1	Hose ASM
28	1-633568	2	Sheave
29	1-633567	1	Sheave
30	1-633749	1	Belt-Drive, Pump
31	1-633167	1	Sheave-Idler
32	1-633335	2	Hose-Pressure, Low
33	1-634277	1	Bearing Arm ASM
33:1	1-513034	2	Sleeve-Bearing
33:3	302-40	1	Fitting-Grease
34	321-4	2	Screw-HH
35	323-8	1	Screw-HH
36	323-9	1	Screw-HH
37	1-800805	1	Screw-HH
38	323-7	4	Screw-HH
39	1-803022	2	Screw
40	3242-6	2	Screw-Set, SQH
41	3242-4	2	Screw-Set, SQH
43	3256-3	1	Washer-Flat
44	3256-4	1	Washer-Flat

* Not illustrated

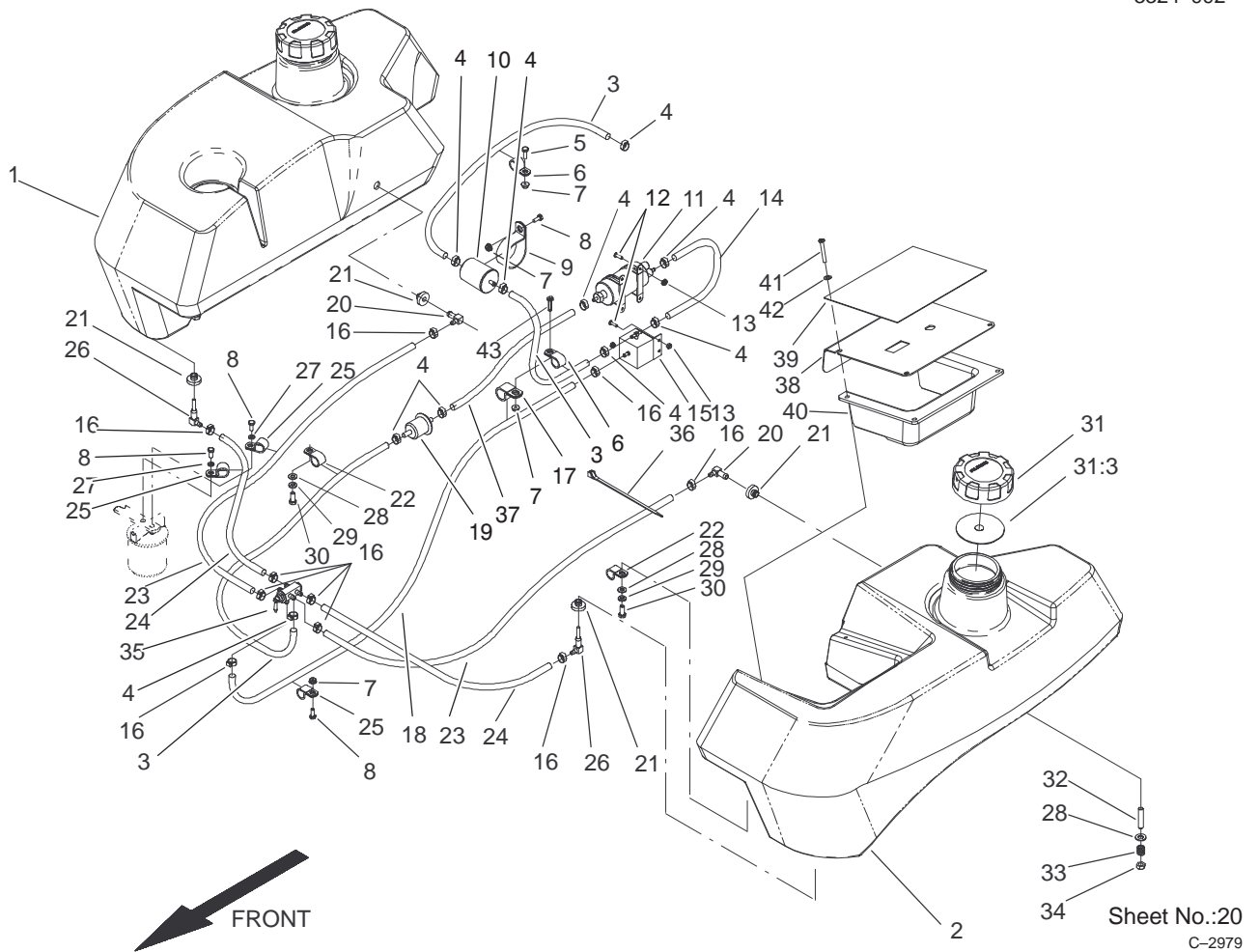


Sheet No.:9

Shield and Clutch Assembly

Ref. No.	Part No.	Qty.	Description	Ref. No.	Part No.	Qty.	Description
1	1-613235	4	Washer	14:4	1-803035	3	Rivet-Pop
3	1-523420	2	Bumper	14:5	3256-63	3	Washer-Flat
4	1-633545	2	Spacer-Grommet	15	104-7755	1	Indicator-Filter, Air
5	1-633543-03	1	Strap-Clutch, Brake	16	94-1416	1	Adapter-Indicator ASM
6	1-603610	2	Washer-Spring	17	1-643313-03	1	Guard-Muffler
7	1-633615-03	1	Guard-Clutch	20	1-643264-03	2	Bracket-Guard, Top
8	1-633988	1	Spacer-Anchor, Clutch	22	321-4	10	Screw-HH
9	103-0665	1	Clutch ASM	24	323-6	6	Screw-HH
9:1	1-303335	1	Tie-Plastic	25	3212-10	1	Screw-HH
10	1-633179	1	Spacer-Clutch, 25hp	27	3296-42	6	Nut-Lock NI
11	1-644276	1	Shield ASM	29	3256-2	4	Washer-Flat
11:1	1-633462	1	Decal-Important	30	3256-3	1	Washer-Flat
11:2	1-634308	1	Shield/Lift ASM	31	32128-20	1	Nut-HF
11:2:1	1-633298	1	Shield-Engine	32	3290-357	4	Nut-Flange, Lock
11:2:2	1-633300-03	1	Lift-Shield	33	32128-33	5	Nut-HF
11:2:3	1-803035	3	Rivet-Pop	34	1-633396	1	Clip-Loom
11:3	103-0368	1	Decal-Devices, Rotating	35	32144-57	2	Screw
12	1-543232	1	Nipple	37	1-323236	2	Spacer
13	1-303428	1	Elbow-90°	38	1-633630	2	Grommet-Brake
14	1-634796	1	LH Shield ASM	39	322-6	1	Screw-HH
14:1	1-523285	1	Clip-Baffle, Rear	40	322-19	1	Screw-HH
14:2	1-633301	1	Shield-Engine	41	3296-29	1	Nut-Lock
14:3	1-633795-03	1	Baffle-Engine Shield, LH	☆42		1	Engine-Kohler, 26Hp (CH26S EFI PS-78517)
				43	1-644316	1	RH Shield ASM

☆ Not serviced

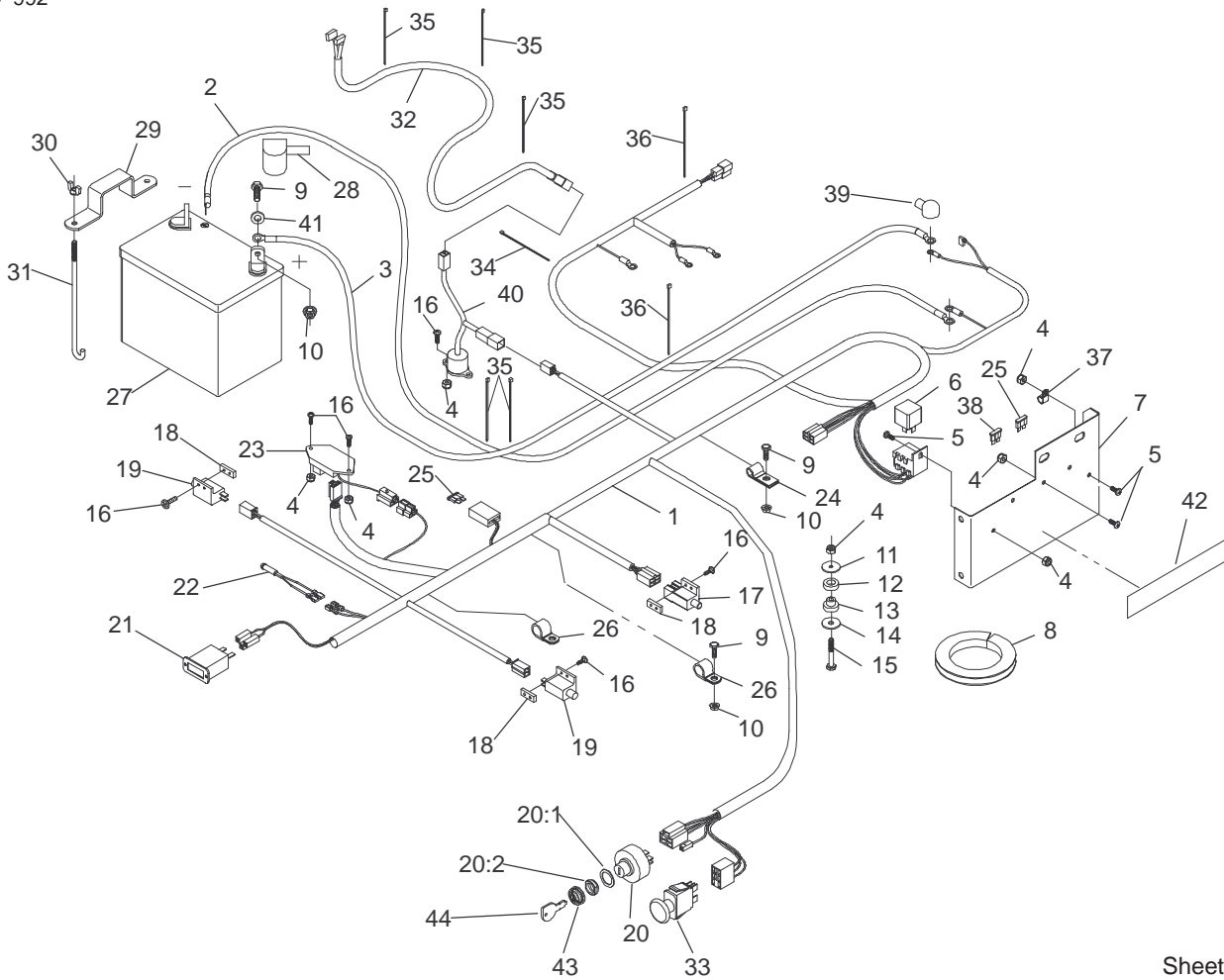


Sheet No.:20
C-2979

Tank and Fuel Line Assembly

Ref. No.	Part No.	Qty.	Description
1	104-5111	1	Tank-Fuel, RH
2	104-5110	1	Tank-Fuel, LH
3	1-643238	3	Hose-Fuel
4	1-643277	10	Clamp-Hose, Fuel
5	321-4	1	Screw-HH
6	1-603727	2	Clip-Loom
7	32128-33	4	Nut-HF
8	321-3	3	Screw-HH
9	1-643241	1	Clip-Loom
10	24-050-03	1	Filter-Fuel, Kohler
11	24-393-20	1	Pump-Fuel, Kohler
12	32104-81	6	Screw-Head, Pan
13	3296-2	6	Nut-Lock
14	1-643236	1	Hose-Fuel
15	24-403-12	1	Regulator-Fuel, Kohler
16	1-643293	10	Clamp-Hose, Fuel
17	1-643312	1	Clip-Loom
18	1-643235	1	Hose-Fuel
19	99-9403	1	Filter-Fuel
20	1-643172	2	Elbow-90°
21	1-513645	4	Bushing-Valve, Fuel
22	1-633396	2	Clip-Loom
23	103-0216	2	Hose-Fuel
24	1-543456	2	Hose-Fuel
25	1-513762	3	Clip-Loom

Ref. No.	Part No.	Qty.	Description
26	1-543277	2	Elbow-Tank, Fuel
27	3253-3	2	Washer-Lock
28	3256-23	8	Washer-Flat
29	3253-4	2	Washer-Lock
30	322-3	2	Screw-HH
31	88-3980	2	Gas Cap ASM
31:3	88-4010	1	Gasket-Cap, Gas
32	1-633023	6	Stud
33	1-633349	6	Spring-Tank, Fuel
34	3296-47	6	Nut-Lock, NI
35	1-643234	1	Valve-Fuel, Dual Flow
36	1-303287	1	Tie-Plastic
37	1-643239	1	Hose-Fuel
38	99-4656-03	1	Panel-Control
39	99-4632	1	Decal-Panel, Control
40	99-4940	1	Shield-Panel, Control
41	1-803071	4	Screw
42	1-303435	4	Washer-Spring
43	321-6	1	Screw-HH

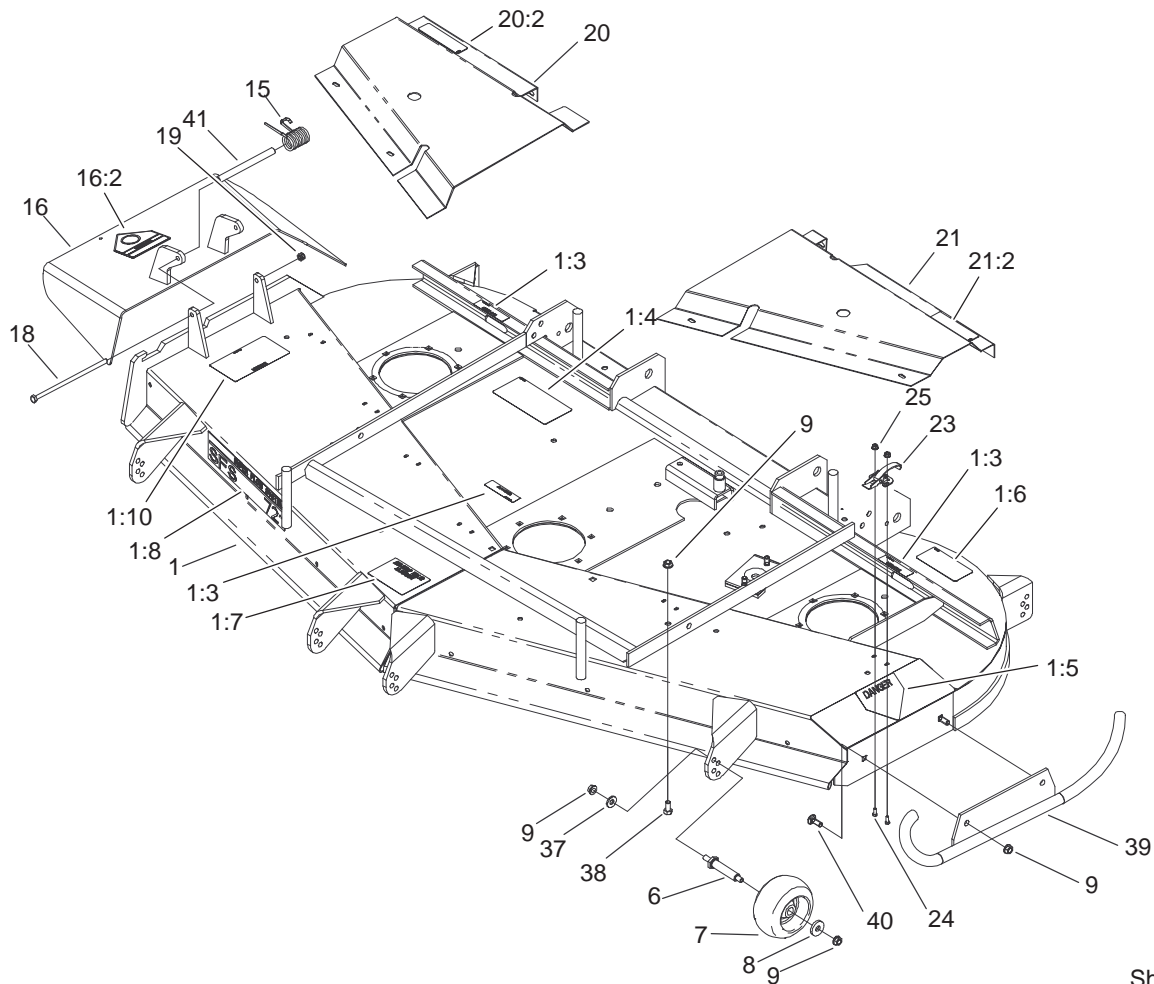


Sheet No.:21

Electrical System Assembly

Ref. No.	Part No.	Qty.	Description
1	100-4339	1	Harness-Wire
2	1-633307	1	Wire-Ground
3	1-523279	1	Wire-Battery, Positive
4	3296-2	14	Nut-Lock
5	1-803071	6	Screw
6	1-643275	1	Relay
7	1-643257-03	1	Panel-Fuses & Relays
8	1-643246	1	Trimlock
9	321-4	6	Screw-HH
10	32128-33	6	Nut-HF
11	1-805518	4	Washer
12	1-643325	4	Ringmount-Vibration
13	1-643326	4	Mount-Bushing, Vibration
14	1-805519	4	Washer
15	1-803074	4	Screw
16	3290-500	8	Screw-PPH
17	1-633111	1	Switch
18	1-633181	3	Plate-Tapped
19	1-513051	2	Switch-Open, Normally
20	88-9830	1	Switch-Ignition
20:1	3254-5	1	Washer-Lock, Internal
20:2	218-461	1	Nut-HH
21	1-513374	1	Meter-Hours
22	1-643267	1	Indicator-Led, Red

Ref. No.	Part No.	Qty.	Description
23	100-6186	1	Module-Delay, Seat
24	1-513762	2	Clip-Loom
25	1-816001	2	Fuse-Type, Blade
26	103-0373	2	Clip
27	1-603479	1	Battery
28	1-543391	1	Insulator-Battery
29	1-633652-03	1	Strap-Holddown, Battery
30	1-543792	2	Wingnut
31	1-633651	2	Bolt-Holddown
32	1-633840	1	Harness-Wiring, Seat
33	1-633673	1	Switch-Delta
34	1-303287	1	Tie-Plastic
35	1-303335	5	Tie-Plastic
36	1-643115	2	Tie-Plastic
37	1-323229	1	Clip-Loom
38	1-816002	1	Fuse-Blade Type, 10 Amp
39	1-543393	1	Insulator-Solenoid
40	1-644427	1	Tilt Switch ASM
40:2	1-643401	1	Decal-Switch, Mercury
41	3256-2	2	Washer-Flat
42	1-643288	1	Decal-Fuse/Relay
43	103-0499	1	Seal-Switch, Ignition
44	63-8360	2	Key-Ignition

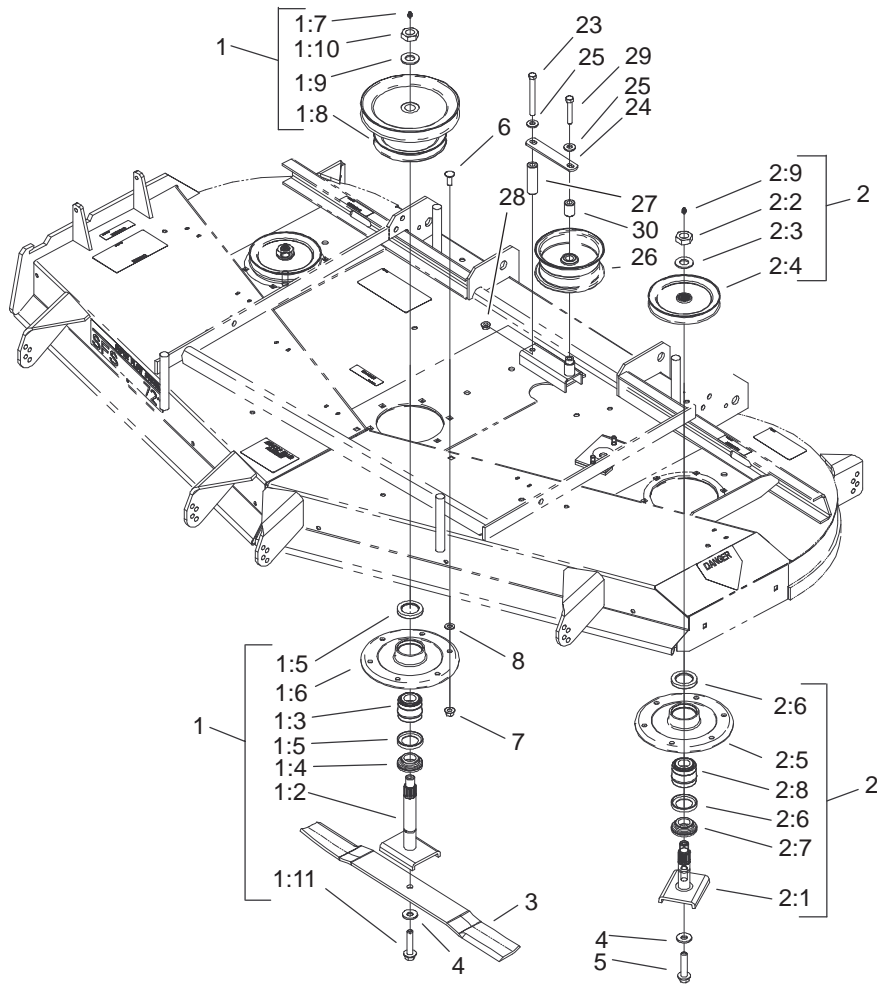


Sheet No.:42

Deck, Deflector and Roller Assembly

Ref. No.	Part No.	Qty.	Description
1	104-7772	1	Deck ASM
1:3	98-5954	3	Decal-Missing, Cover
1:4	99-4686	1	Decal-Routing, Belt
1:5	43-8480	1	Decal-Danger
1:6	93-7818	1	Decal-Torque, Blade
1:7	98-3798	1	Decal-Wheel, Gage
1:8	98-5995	1	Decal-Deck
1:10	66-1340	1	Decal-Danger
6	99-2842	6	Spacer-Wheel
7	68-2730	6	Gage-Wheel
8	1-373034	6	Washer-Swivel
9	3290-357	18	Nut-Flange, Lock
15	104-8554	1	Spring-Torsion
16	104-7763	1	Deflector ASM
16:2	54-9220	1	Decal-Danger
18	322-50	1	Screw-Cap
19	3296-29	1	Nut-Lock
20	100-6527	1	RH Cover w/Decal ASM
20:2	67-5360	1	Decal-Danger
21	99-2623	1	LH Cover w/Decal ASM
21:2	67-5360	1	Decal-Danger
23	249-21	4	Clamp-Slotted
24	3290-321	8	Screw-HWH
25	32128-17	8	Nut-Lock, Flange

Ref. No.	Part No.	Qty.	Description
37	98-5975	6	Washer-Belleville
38	323-4	4	Screw-HH
39	98-7923-01	1	Skid
40	3231-22	2	Screw-CARR
41	104-8555	1	Spacer-Deflector, Mounting

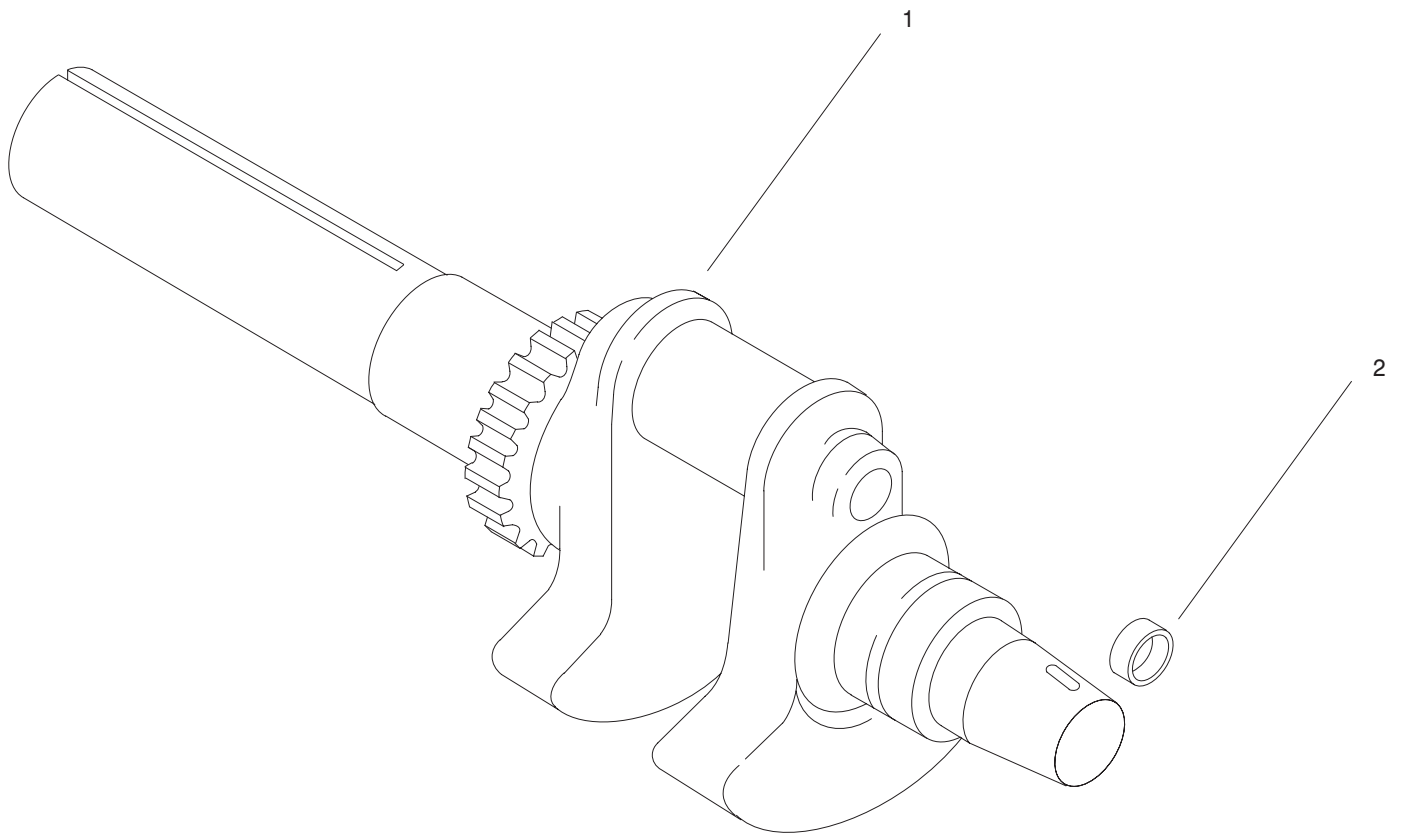


Sheet No.:43

Spindle and Pulley Assembly

Ref. No.	Part No.	Qty.	Description
1	100-4321	1	Middle Spindle ASM
1:2	51-3551	1	Shaft-Spindle
1:3	46-8530	1	Bearing ASM
1:4	27-0950	1	Spacer-Bearing, Spindle
1:5	253-139	2	Seal-Oil
1:6	61-4160	1	Housing-Spindle
1:7	302-2	1	Fitting-Grease
1:8	100-4309	1	Hub Pulley ASM
1:9	92-5836	1	Washer-Axle
1:10	32146-20	1	Nut-Jam
1:11	92-5816	1	Bolt-Blade
2	99-4642	2	Outer Spindle ASM
2:1	27-0920	1	Shaft-Spindle
2:2	32146-20	1	Nut-Jam
2:3	7-4150	1	Washer-Pinion
2:4	99-4615	1	Pulley & Hub
2:5	61-4160	1	Housing-Spindle
2:6	253-139	1	Seal-Oil
2:7	27-0950	1	Spacer-Bearing, Spindle
2:8	46-8530	1	Bearing ASM
2:9	302-2	1	Fitting-Grease
3	94-1861	3	Blade
4	1-513435	3	Washer-Spring
5	92-5816	2	Bolt-Blade

Ref. No.	Part No.	Qty.	Description
6	3231-22	18	Screw-CARR
7	32128-21	18	Nut-HF
8	3256-24	4	Washer-Flat
23	323-42	1	Screw-HH
24	1-653189	1	Plate-Guide, Belt
25	98-5975	2	Washer-Belleville
26	1-413099	1	Pulley-Idler
27	99-4659	1	Spacer-Bracket
28	3290-357	1	Nut-Flange, Lock
29	323-11	1	Screw-HH
30	1-653190	1	Spacer

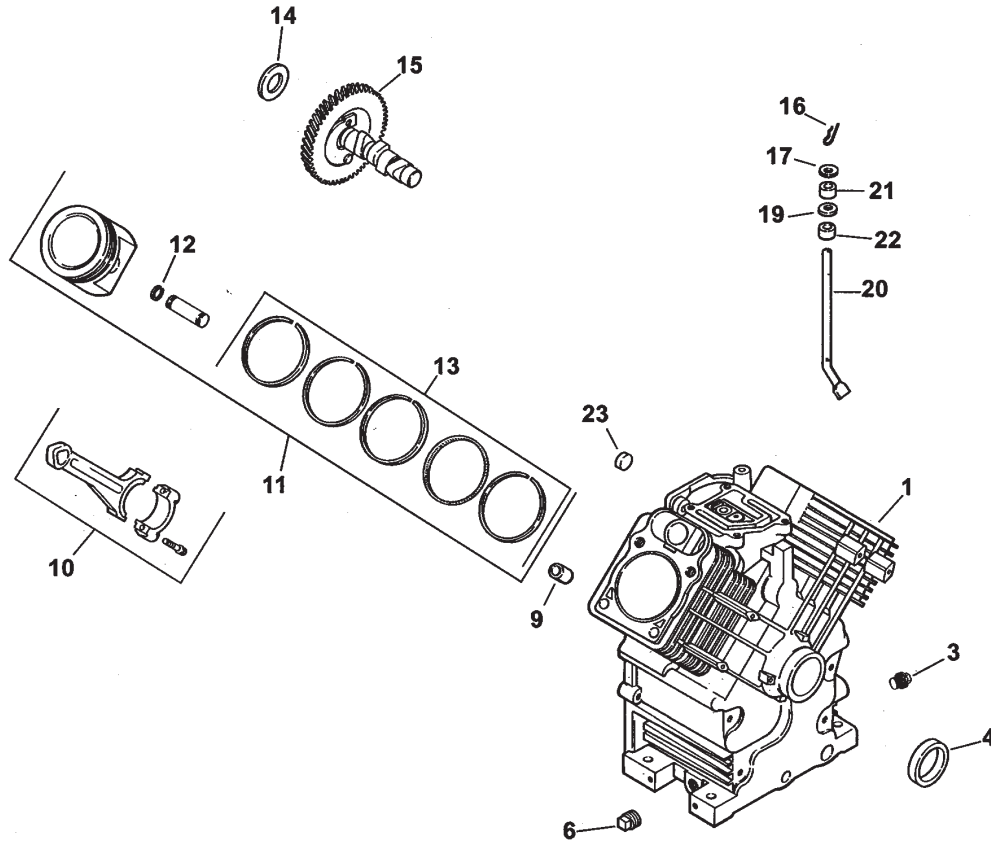


Crankshaft Assembly (Engine: Kohler CH26S EFI PS-78517)

Ref. No.	Part No.	Qty.	Description
1	24 014 06-S	1	Crankshaft (Incl. Ref.# 2)
2	52 139 09-S	1	Plug-Cup

Ref. No.	Part No.	Qty.	Description

Obtain parts from Kohler

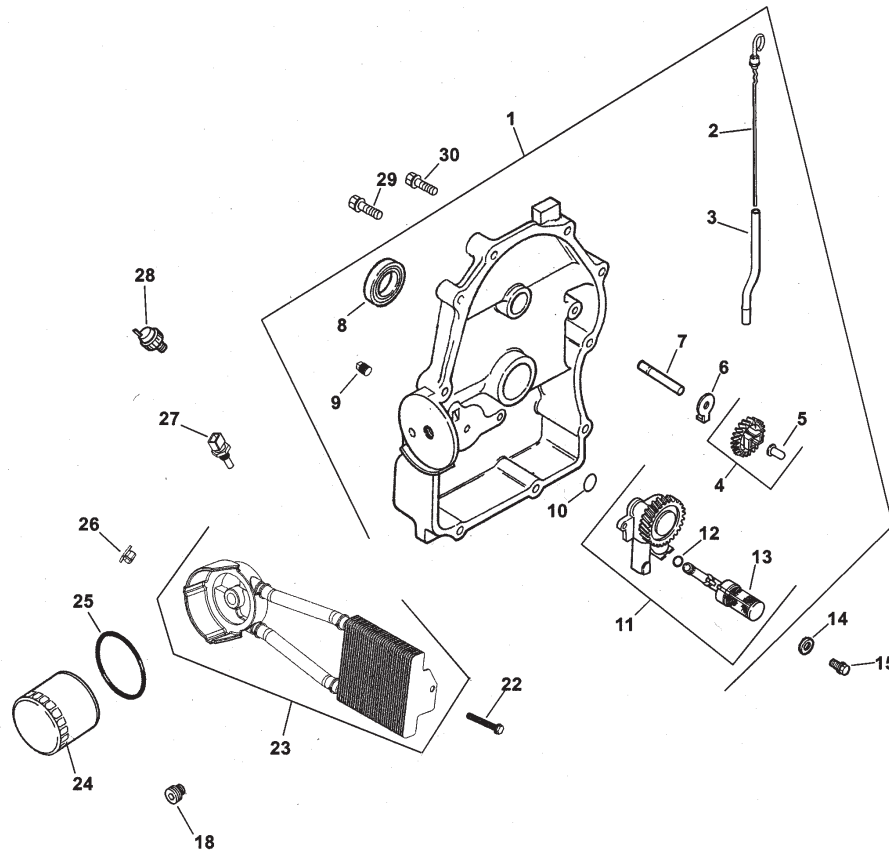


Crankcase Assembly (Engine: Kohler CH26S EFI PS-78517)

Ref. No.	Part No.	Qty.	Description
1	24 782 10	1	Crankcase
3	X-75-10-S	2	Plug-Pipe, 3/8"
4	24 032 01-S	1	Seal-Oil, Front
6	X-75-23-S	1	Plug-Allen Head Pipe, 1/8"
9	12 380 17-S	6	Pin-Dowel, Locating
10	24 067 13-S	2	Rod-Connecting (Std.)
	24 067 14-S	2	Rod-Connecting (.25)
11	24 874 06-S	2	Set-Piston w/Ring, (Std.)
12	24 018 01-S	4	Retainer-Pin, Piston
13	24 108 04-S	2	Set-Ring (Std.)
14	12 422 09-S	A/R	Shim-Camshaft, Red
	12 422 13-S	A/R	Shim-Camshaft, Black
	12 422 07-S	A/R	Shim-Camshaft, White
	12 422 08-S	A/R	Shim-Camshaft, Blue
	12 422 10-S	A/R	Shim-Camshaft, Yellow
	12 422 11-S	A/R	Shim-Camshaft, Green
	12 422 12-S	A/R	Shim-Camshaft, Gray
15	24 012 10-S	1	Camshaft
16	12 380 04-S	1	Pin-Hitch
17	M-631005-S	1	Washer-Flat
19	X-25-102-S	1	Washer-Plain

Ref. No.	Part No.	Qty.	Description
20	24 144 10-S	1	Shaft-Cross, Governor
21	52 030 04-S	1	Bearing, Needle-Upper
22	52 030 03-S	1	Bearing, Needle-Lower
23	52 139 09-S	1	Plug-Cup

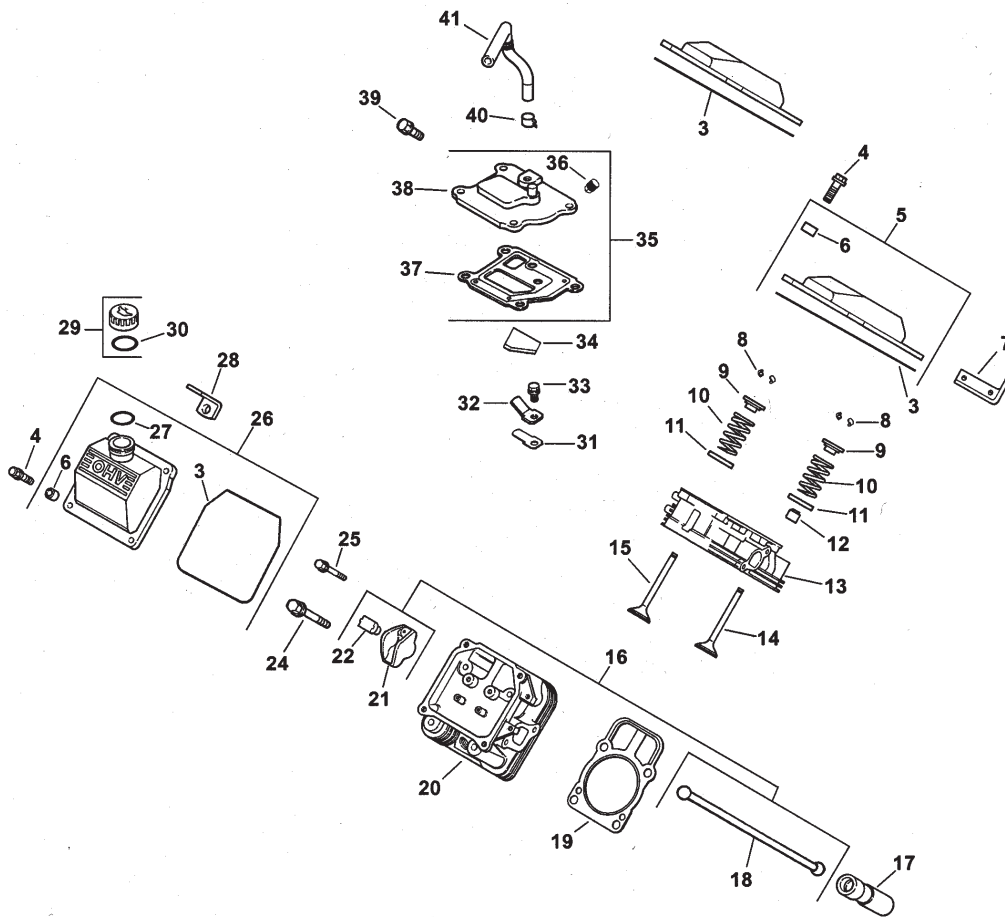
*Not Illustrated
Obtain parts from Kohler



Oil Pan/Lubrication Assembly (Engine: Kohler CH26S EFI PS-78517)

Ref. No.	Part No.	Qty.	Description	Ref. No.	Part No.	Qty.	Description
1	24 009 83-S	1	Closure Plate ASM (Incl. Ref.# 2-12)	25	24 153 13-S	1	O-Ring
2	24 038 06-S	1	Dipstick	26	24 100 01-S	2	Nut-Plastic
3	24 123 08-S	1	Tube-Dipstick	27	24 418 07-S	1	Sensor-Temperature
4	24 043 12-S	1	Kit-Gear, Governor (Incl. Ref.# 5)	28	24 099 03-S	1	Switch-Pressure
5	12 380 01-S	1	Pin-Regulating, Governor	29	24 086 16-S	9	Screw-HF, M8x1.25x45
6	52 448 02-S	1	Tab-Locking	30	24 086 17-S	1	Screw-HF
7	12 144 02-S	1	Shaft-Gear, Governor	*	24 113 25-S	1	Decal-Cooler, Oil
8	52 032 08-S	1	Seal-Oil (PTO end)				
9	X-75-23-S	2	Plug-Pipe, 1/8"				
10	24 153 08-S	1	O-Ring				
11	24 393 10-S	1	Oil Pump ASM (Incl. Ref.# 12,13)				
12	24 153 01-S	1	O-Ring-Pick-up, Oil				
13	24 381 04-S	1	Pick-up-Oil				
14	M-0631005-S	2	Washer-Plain, 6mm				
15	M-0645025-S	2	Screw-HF				
18	24 136 01-S	1	Nipple-Filter, Oil				
22	25 086 49-S	2	Screw-Tapping 1/4-1x3/4"				
23	24 594 13-S	1	Cooler-Oil, Phenolic				
24	52 050 02-S	1	Filter-Oil				

*Not Illustrated
Obtain parts from Kohler

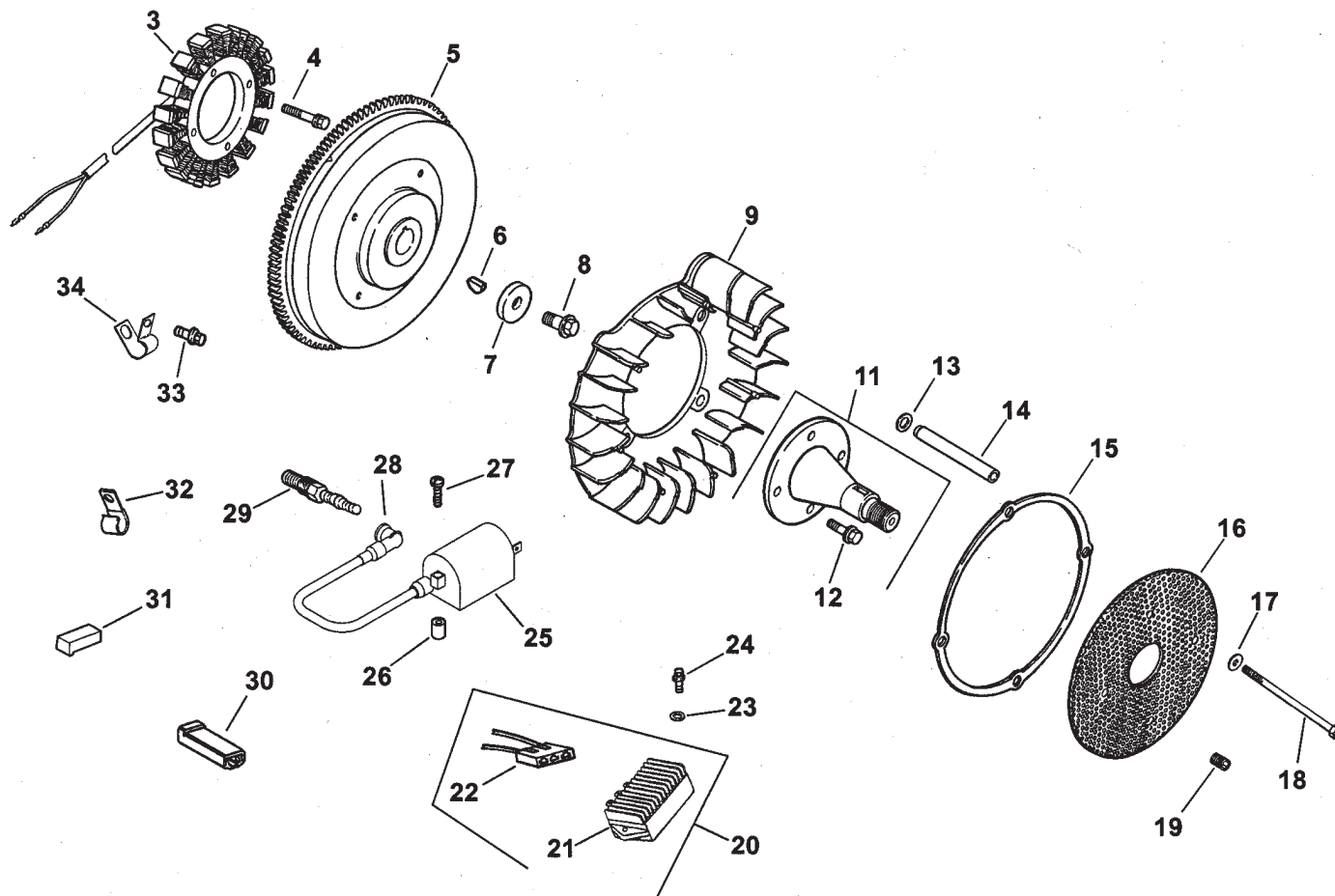


Head/Valve/Breather Assembly (Engine: Kohler CH26S EFI PS-78517)

Ref. No.	Part No.	Qty.	Description
3	24 153 16-S	1	O-Ring-Cover, Valve
4	M-651030-S	8	Screw-HF
5	24 755 74-S	1	Kit-Valve Cover, Plain (Incl. Ref.# 3, 6)
6	24 112 08-S	4	Spacer
7	24 445 01-S	1	Strap-Lifting
8	12 755 03-S	4	Kit-Retainer
9	12 173 01-S	4	Cap-Spring, Valve
10	24 089 02-S	4	Spring-Valve
11	235011-S	4	Retainer-Spring
12	24 032 05-S	2	Seal-Stem, Valve
13	24 318 13-S	1	#1 Cylinder Head ASM
14	24 017 01-S	2	Valve-Intake (Std.)
	24 017 02-S	2	Valve-Intake (.25)
15	24 016 01-S	2	Valve-Exhaust (Std.)
	24 016 02-S	2	Valve-Exhaust (.25)
16	24 755 66-S	1	Kit-Train, Valve (Incl. Ref.# 18, 21, 22)
17	12 351 02-S	4	Lifter-Valve
18	24 411 05-S	4	Rod-Push
19	24 041 37-S	2	Gasket-Head, Cylinder
20	24 318 14-S	1	#2 Cylinder Head ASM
21	25 186 01-S	4	Arm-Rocker
22	24 599 01-S	4	Pivot-Arm, Rocker

Ref. No.	Part No.	Qty.	Description
24	24 086 44-S	8	Screw-HF
25	M-0640034-S	4	Screw-HF
26	24 755 75-S	1	Kit-Valve Cover, Oil Fill (Incl. Ref.# 3, 6, 27)
27	24 153 09-S	1	O-Ring
28	12 445 05-S	1	Strap-Lifting
29	24 755 46-S	1	Kit-Cap, Oil Fill (Incl. Ref.# 30)
30	12 153 03-S	1	O-Ring-Cap, Oil Fill
31	24 402 03-S	1	Reed-Breather
32	12 018 01-S	1	Retainer-Reed, Breather
33	M-0545010-S	1	Screw-HF
34	24 050 01-S	1	Filter-Breather
35	24 033 01-S	1	Kit-Breather (Incl. Ref. # 36-38)
36	X-75-23-S	1	Plug-Pipe, Allen Head
37	24 041 23-S	1	Gasket-Breather
38	24 096 58-S	1	Cover-Breather
39	M-645020-S	4	Screw-HF
40	25 237 08-S	2	Clamp-Hose
41	24 326 31-S	1	Hose-Breather

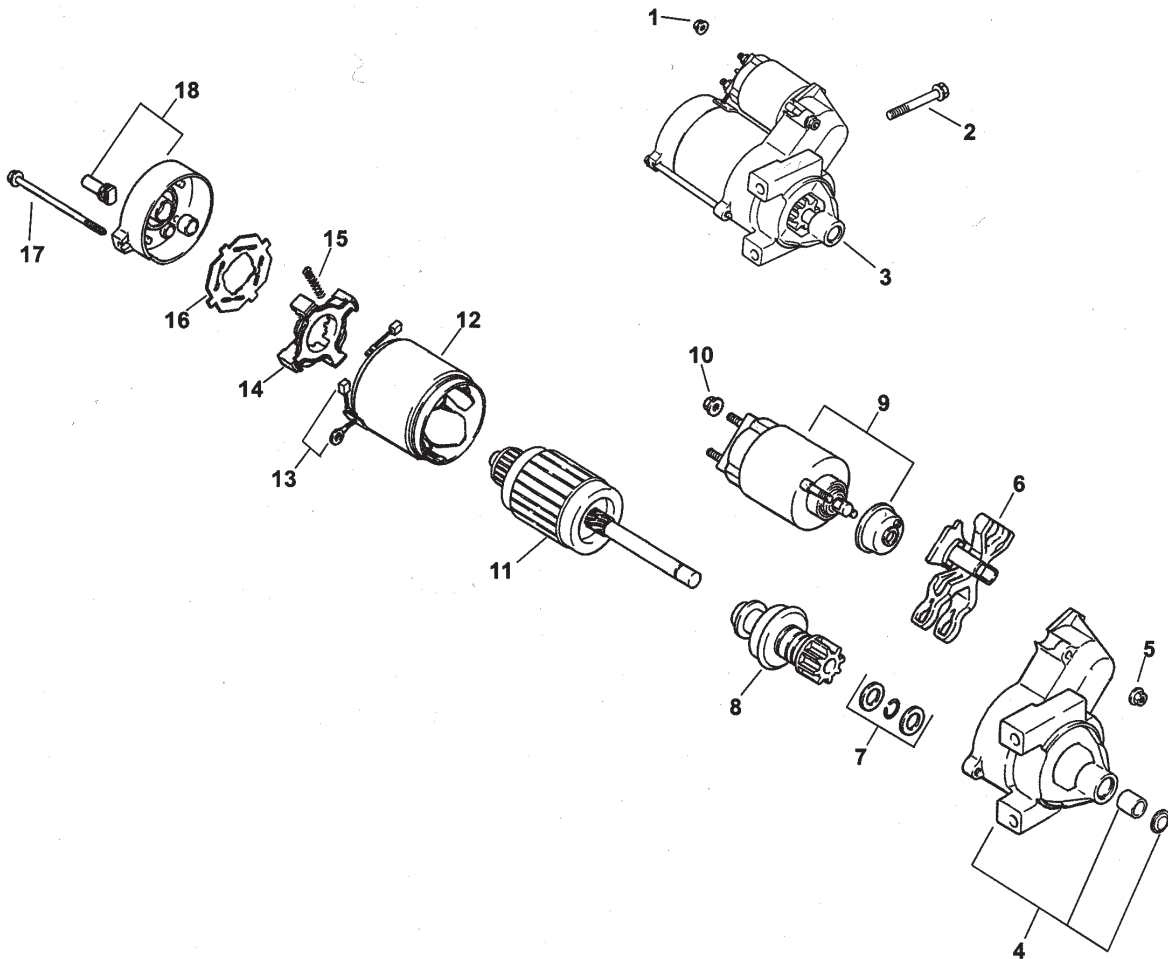
Obtain parts from Kohler



Ignition/Electrical Assembly (Engine: Kohler CH26S EFI PS-78517)

Ref. No.	Part No.	Qty.	Description	Ref. No.	Part No.	Qty.	Description
3	12 085 02-S	1	Stator	24	24 086 18-S	2	Screw-Phillips
4	M-545030-S	2	Screw-Cap, Hex	25	24 519 02-S	2	Coil-Ignition
5	24 025 09-S	1	Flywheel	26	24 112 16-S	4	Spacer
6	X-42-15-S	1	Key	27	24 086 38-S	4	Screw-Phillips
7	12 468 03-S	1	Washer-Plain, 3/8"	28	24 131 02-S	2	Spark Plug Boot ASM
8	12 086 14-S	1	Screw-HF	29	12 132 06-S	2	Plug-Spark
9	24 157 04-S	1	Fan	31	25 155 04-S	2	Connector
11	24 755 08-S	1	Kit-Shaft, Front Drive (Incl. Ref.# 12)	32	48 154 02-S	1	Clip-Cable
12	M-839025-S	4	Screw-HF	33	M-545016-S	1	Screw-HF
13	24 468 11-S	4	Washer-Spring	34	25 237 06-S	1	Clamp-Hose
14	24 112 14-S	4	Spacer	*	24 518 12-S	1	Lead-Black
15	24 141 06-S	4	Ring-Support	*	25 452 01-S	1	Terminal
16	24 162 22-S	1	Screen-Grass	*	X-22-11-S	1	Washer-Lock
17	X-25-53-S	4	Washer-Plain				
18	M-603100-S	4	Screw-Cap, Hex				
19	25 086 43-S	1	Screw-Set				
20	25 755 23-S	1	Kit-Conversion, Full Wave (Incl. Ref.# 22,25 452 01-S & 24 518 12-S)				
21	25 403 04-S	1	Rectifier-Regulator				
22	236602-S	1	Connector (3 Contact)				
23	X-25-92-S	2	Washer-Plain				

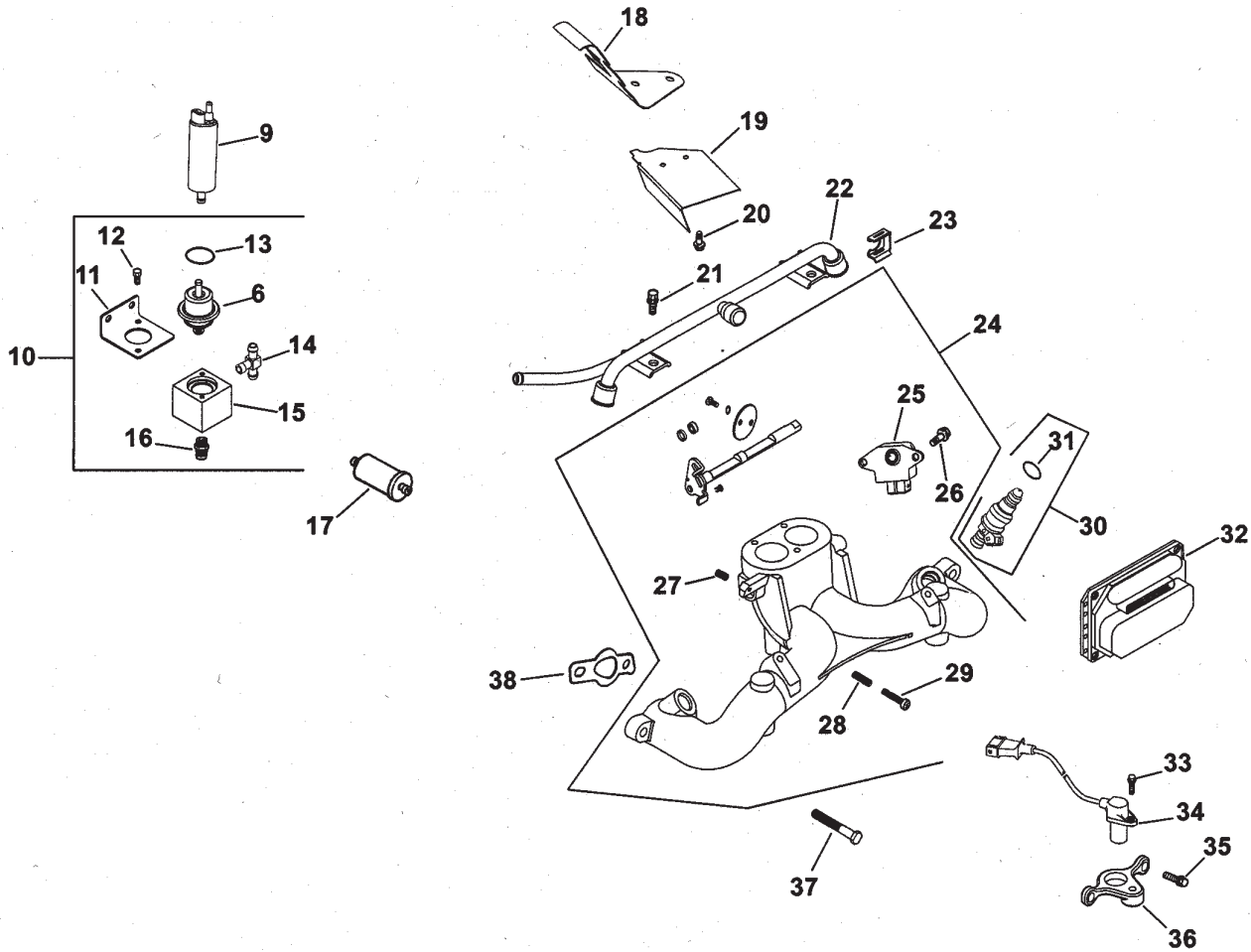
*Not Illustrated
Obtain parts from Kohler



Starting System Assembly (Engine: Kohler CH26S EFI PS-78517)

Ref. No.	Part No.	Qty.	Description	Ref. No.	Part No.	Qty.	Description
1	M-841080-S	1	Nut-HF				
2	M-839080-S	1	Screw-HF				
3	24 098 01-S	1	Solenoid Shift Starter ASM (Incl. Ref.# 4-18)				
4	24 081 04-S	1	Drive-Cap, End				
5	52 100 10-S	2	Nut-Starter				
6	12 090 10-S	1	Lever-Drive, Starter				
7	24 755 84-S	1	Kit-Repair, Starter				
8	12 239 01-S	1	Drive-Pinion				
9	52 435 02-S	1	Solenoid				
10	52 100 09-S	1	Nut-Starter				
11	12 170 04-S	1	Armature-Starter				
12	12 471 01-S	1	Frame				
13	52 221 01-S	1	Kit-Brush & Spring (Incl. Ref.# 15)				
14	52 323 03-S	1	Holder-Brush				
15	52 089 09-S	4	Spring-Brush				
16	52 168 01-S	1	Insulator				
17	52 211 05-S	2	Bolt-Thru				
18	24 301 01-S	1	Commutator-Cap, End				

Obtain parts from Kohler

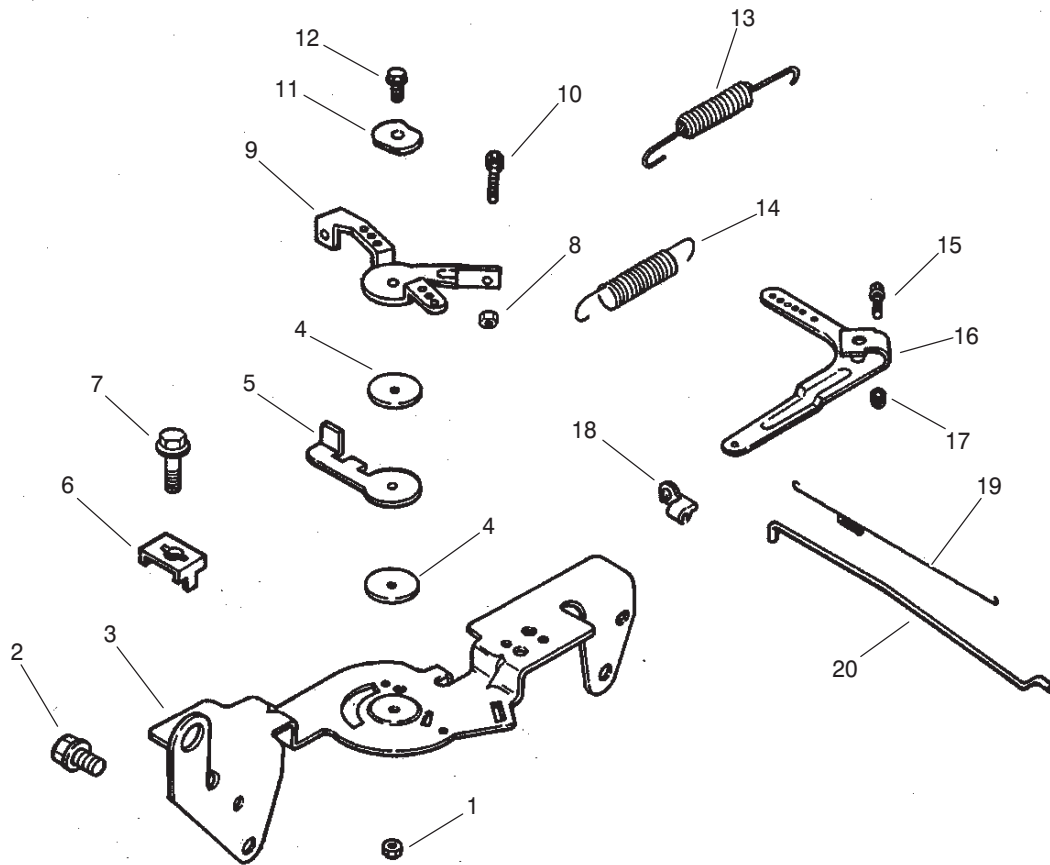


Fuel System Assembly (Engine: Kohler CH26S EFI PS-78517)

Ref. No.	Part No.	Qty.	Description
6	24 403 02-S	1	Regulator-Pressure
9	24 393 20-S	1	Fuel Pump ASM
10	24 403 12-S	1	Pressure Regulator ASM (Incl. Ref.# 6,11-16)
11	24 126 86-S	1	Bracket-Regulator, Horizontal
12	M-410010-S	2	Screw-HH
13	24 153 18-S	1	O-Ring
14	24 294 15-S	1	Fitting-Tee
15	24 081 12-S	1	Housing-Regulator, Horizontal
16	25 326 03-S	1	Fitting
17	24 050 03-S	1	Filter-Fuel
18	24 063 37-S	1	Baffle-Valley
19	24 265 08-S	1	Deflector-Air
20	M-545010-S	2	Screw-HF
21	M-639010-S	2	Screw-HF
22	24 399 04-S	1	Rail-Fuel
23	24 154 05-S	2	Clip-Injector, Fuel
24	24 164 38-S	1	Intake Manifold ASM (Incl. Ref.#25-29 & 24 176 77-S)

Ref. No.	Part No.	Qty.	Description
25	24 418 06-S	1	Sensor-Position, Throttle
26	M-442012-S	2	Screw-Head, Pan
27	24 089 42-S	1	Spring-Bump, Idle
28	12 089 11-S	1	Spring-Control, Speed
29	M-442025-S	1	Screw-HH
30	24 331 01-S	2	Injector-Fuel (Incl. Ref.# 31)
31	24 153 20-S	2	O-Ring
32	24 584 08-S	1	Module-Management, Ignition
33	24 086 42-S	1	Screw-HF
34	24 418 03-S	1	Sensor-Speed, Engine
35	M-545016-S	2	Screw-HF
36	24 126 69-S	1	Bracket-Sensor, Speed
37	M-639025-S	4	Screw-HF
38	24 041 01-S	2	Gasket-Manifold, Intake
*	24 176 77-S	1	Harness-Wiring (Incl. Ref.# 32)
*	24 113 78-S	1	Decal-Warning, Fuel

*Not Illustrated
Obtain parts from Kohler

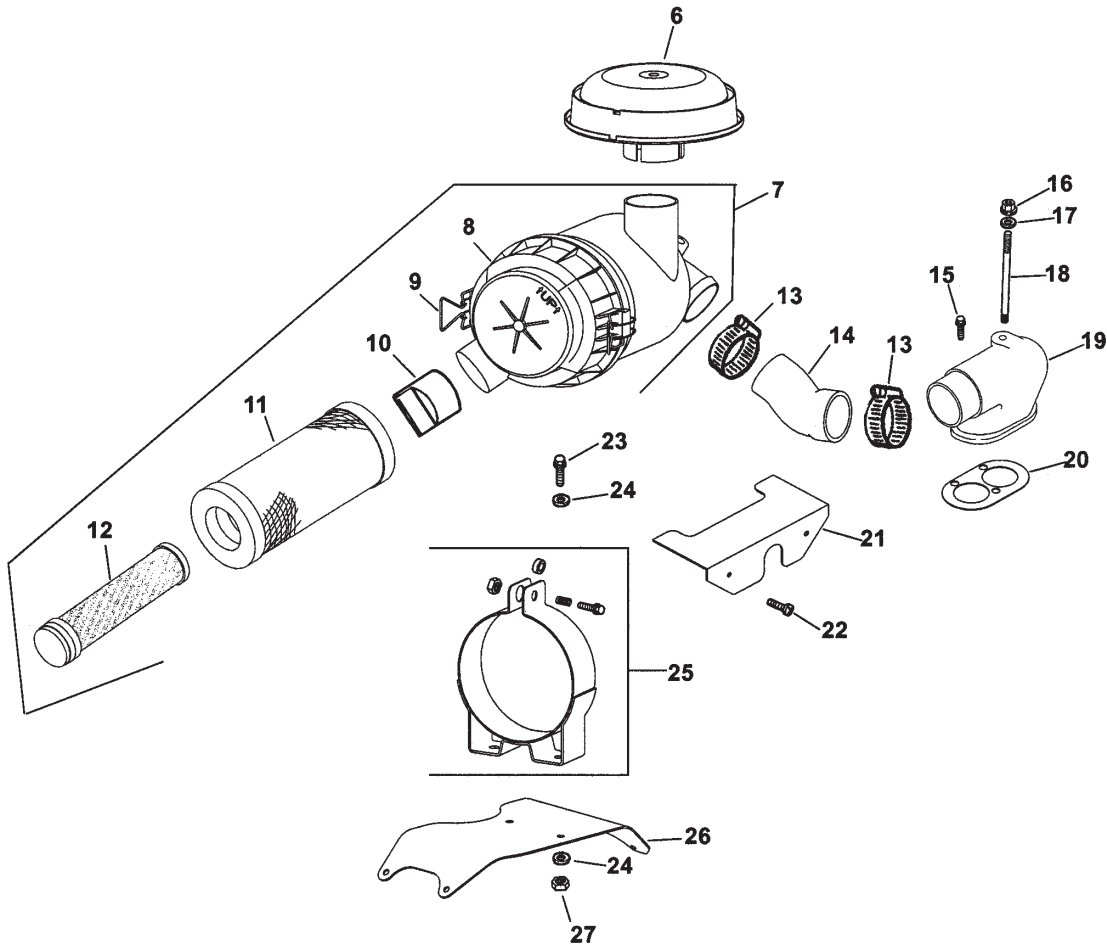


Engine Control Assembly (Engine: Kohler CH26S EFI PS-78517)

Ref. No.	Part No.	Qty.	Description
1	M-547050-S	1	Nut-Lock, Hex
2	M-645016-S	4	Screw-HF
3	24 126 56-S	1	Bracket-Control
4	24 468 01-S	3	Washer-Plain
5	24 090 07-S	1	Lever-Actuator, Throttle
6	12 237 01-S	2	Clamp-Cable
7	M-545016-S	2	Screw-HF
9	24 090 03-S	1	Lever-Control, Throttle
8	M-446030-S	1	Nut-Hex
10	M-401030-S	1	Screw-Cap, Hex
11	41 468 03-S	1	Washer-Spring
12	M-545020-S	1	Screw-HF
13	24 089 51-S	1	Spring-Limiter, Throttle
14	24 089 15-S	1	Spring-Governor
15	SM-642025-S	1	Screw-HF
16	24 090 14-S	1	Lever-Governor
17	M-641060-S	1	Nut-HF
18	25 158 11-S	1	Bushing-Retaining, Linkage
19	24 089 32-S	1	Spring-Linkage
20	24 079 13-S	1	Linkage-Throttle

Ref. No.	Part No.	Qty.	Description

Obtain parts from Kohler



Air Intake/Filtration Assembly (Engine: Kohler CH26S EFI PS-78517)

Ref. No.	Part No.	Qty.	Description
6	25 324 02-S	1	Hood-Cleaner, Air
7	25 048 07-S	1	Air Cleaner ASM (Incl. Ref.# 8-12)
8	25 096 06-S	1	Cover ASM
9	25 154 05-S	2	Clip
10	24 462 07-S	1	Valve-Ejector, Dust
11	25 083 01-S	1	Element-Air, Primary
12	25 083 04-S	1	Element-Air, Safety
13	X-426-9-S	2	Clamp
14	24 326 32-S	1	Hose-Cleaner, Air
15	M-644025-S	2	Screw-HSH
16	M-641060-S	1	Nut-HF
17	25 468 01-S	1	Washer-Copper
18	M-629122-S	1	Stud-Carburetor
19	24 029 33-S	1	Remote Air Cleaner Adapter ASM
20	24 041 36-S	1	Gasket-Base, Air Cleaner
21	24 314 28-S	1	Shield,-Debris
22	24 086 06-S	2	Screw-Head, Phillips
23	M-639016-S	2	Screw-HF
24	X-25-73-S	4	Washer-Plain
25	25 126 02-S	1	Air Cleaner Bracket ASM,

Ref. No.	Part No.	Qty.	Description
26	24 126 98-S	1	Bracket-Cleaner, Air
27	M-647060-S	1	Nut-Lock, Hex

Obtain Parts from Kohler

