



Proline[®] 21”

Recycler[®] Mower

Model No. 22171—210000001 and Up

Parts Catalog

Ordering Replacement Parts

To order replacement parts, please supply: the part number, the quantity, and the description of each part desired.

Understanding Reference Numbers

Each identified part in an illustration has a reference number. The reference number for a part also appears in the parts list, along with other information about the part.

This catalog uses two special reference number formats, one to indicate parts in a service assembly and another to indicate the quantity of a given part in an illustration.

Service Assembly Reference Numbers

Parts in service assemblies have reference numbers in the form **a:b**. The **a** represents the reference number of the entire service assembly and the **b** represents a sequential number unique to each part within the service assembly.

For example, a wheel assembly might be identified by reference number **6**, the tire by **6:1**, the valve by **6:2**, and the wheel by **6:3**. When you order the assembly identified by reference number **6**, you receive all parts identified by reference numbers **6:1**, **6:2**, and **6:3**. However, you may also order any part individually.

Reference numbers of this type appear in illustrations and in part lists.

Reference Numbers Indicating Quantity

In an illustration, if a reference number indicates more than one part, the reference number has the form **nX y**. The **n** represents the quantity of the part, the **X** is the multiplication symbol, and the **y** represents the reference number.

For example, in an illustration, the reference number **2X 37** means that two of the parts identified by reference number **37** are indicated.

Contents

Description	Page	Description	Page
Housing Assembly	3	Control Linkage Assembly	14
Housing Assembly 98-7139	4	Brake Band Assembly	15
Front Wheel and Tire Assembly	5	Fuel Tank and Fuel Valve Assembly	16
Gear Case Assembly No. 74-1861	6	Flywheel and Ignition Assembly	17
Engine and Blade Assembly	7	Carburetor Assembly	18
Handle and Controls Assembly	8	Piston and Crankshaft Assembly	19
Gear Case and Rear Wheel Assembly	9	One Line Title	20
Rear Wheel and Tire Assembly No. 74-1720 ..	10	Cover and Cooling Assembly	21
Grass Bag Assembly No. 99-2535	11	Dipstick and Oil Filter Assembly	22
Cylinder and Crankcase Assembly	12	Recoil Starter Assembly	23
Valve and Camshaft Assembly	13		

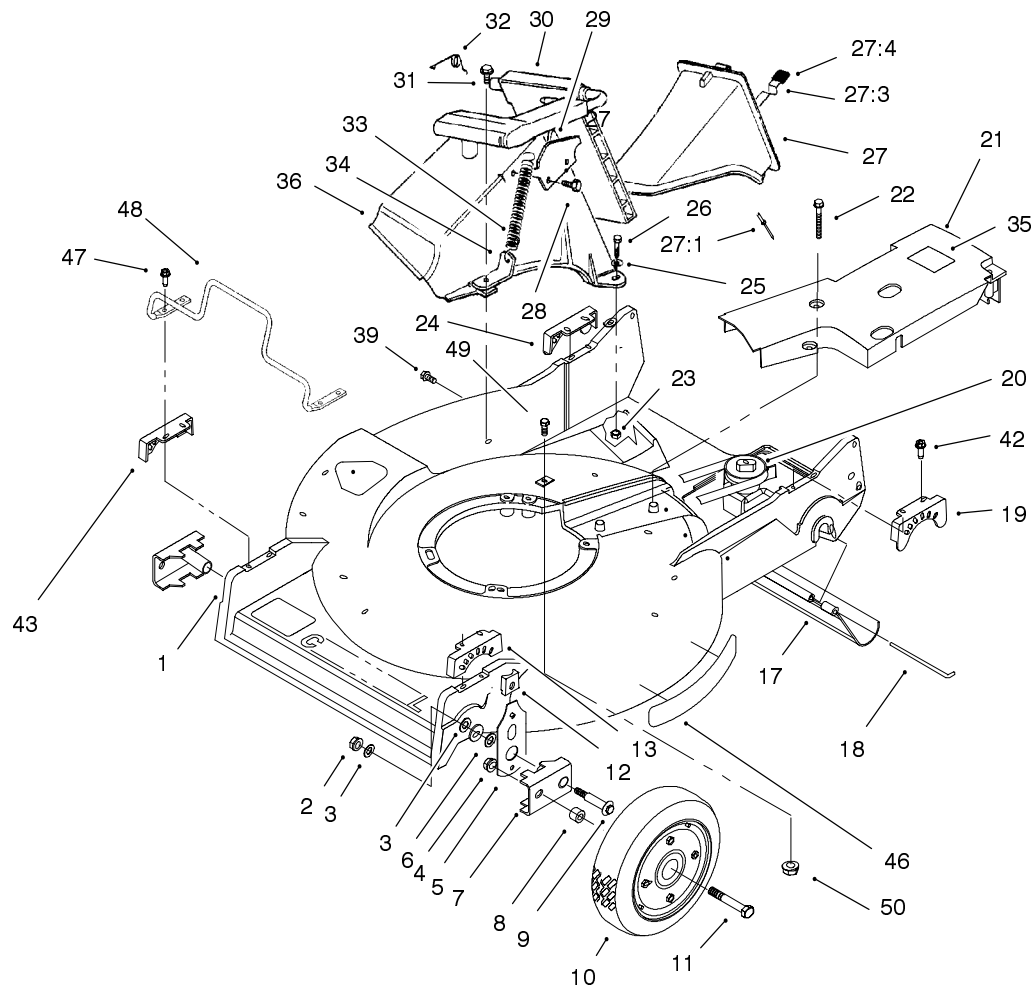
Accessories

Description	Model / Part No.	Description	Model / Part No.
Side Discharge Kit	59199		

Part Description Abbreviations

Part descriptions in this catalog may include the following abbreviations.

Abbreviation	Meaning	Abbreviation	Meaning
AR	as required	INC	incorporated
ASM	assembly	LH	left hand
CARR	carriage	NI	nylon insert
DEG	degrees	PPH	Phillips pan head
FH	flat head	PTH	Phillips truss head
GA	gauge	PTO	power take off
HF	hex flange	RH	right hand
HH	hex head	SFH	slotted fillister head
HHF	hex head flange	SHH	slotted hex head
HLH	hex lag head	SQH	square head
HJ	hex jam	SHWH	slotted hex washer head
HOC	height-of-cut	SPH	slotted pan head
HS	hex socket	SRH	slotted round head
HSBH	hex socket button head	STD	standard
HSFH	hex socket flat head	TAP	self tapping
HSH	hex socket head	TTH	Torx truss head
HWH	hex washer head	WH	wing head
HWHTF	hex washer head thread forming		

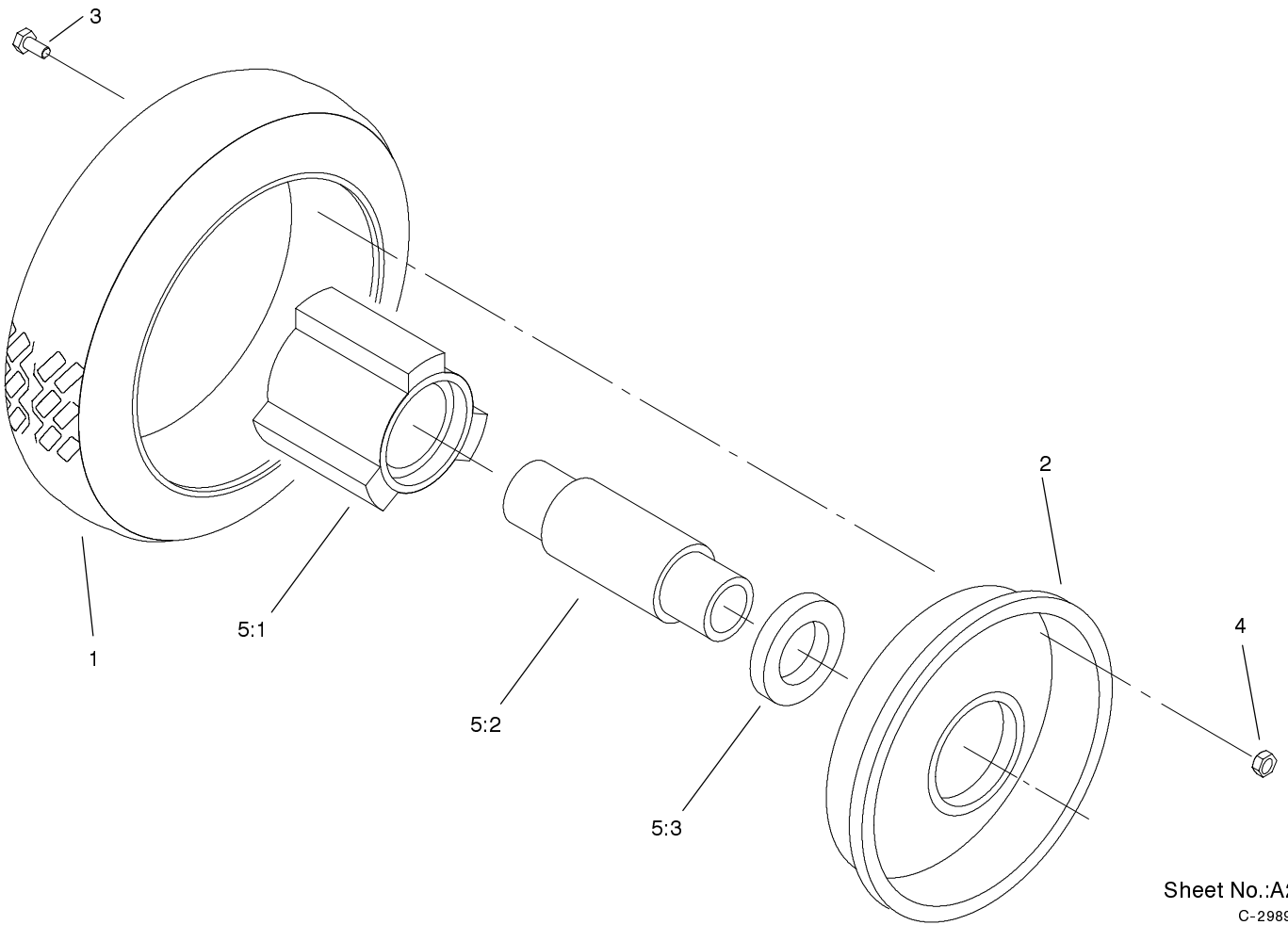


Sheet No.:2

C-2987

Housing Assembly

Ref. No.	Part No.	Qty.	Description	Ref. No.	Part No.	Qty.	Description
1	98-7139	1	Housing	27:4	76-4650	1	Grip-Latch
2	3296-6	2	Nut-Lock, NI	28	46-8090	2	Screw-Plastite
3	40-1940	4	Washer	29	93-3154	1	Latch-Plate
4	32152-2	2	Nut-Conelock	30	93-7351	1	Discharge Door ASM
5	66-7560	2	Front Spring Arm ASM	31	46-6811	1	Screw-HWH
6	257-3	2	Washer-Thrust	32	80-3770	1	Retainer-Door
7	61-8300	2	Arm-Pivot, Front	33	76-4660	1	Spring-Door
8	52-2480	2	Spacer-Wheel	34	71-9350	1	Bracket-Spring
9	27-6232	2	Bolt-Wheel	35	52-2620	1	Label-Grease
10	53-7720	2	Wheel & Tire ASM	36	82-9152	1	Tunnel-Discharge
11	323-12	2	Screw-HH	39	46-6810	1	Screw & Washer ASM
12	25-7740	2	Knob-Arm	42	49-2040	4	Screw-Tapping
13	49-8760	1	Quadrant-Front, LH	43	49-8770	1	Quadrant-Front, RH
17	44-0580	1	Shield-Trailing	46	92-7988	1	Decal - Recycler
18	33-3208	1	Rod-Shield	47	32144-86	4	Screw-HH
19	49-8740	1	Quadrant-Rear, LH	48	99-6722	1	Guard-Engine
20	74-1861	1	Gear Case ASM	49	323-6	2	Screw-HH
21	99-6298	1	Cover-Belt	50	3296-39	2	Nut-Lock, NI
22	37-7260	2	Screw-HH				
23	3296-42	2	Nut-Lock NI				
24	49-8750	1	Quadrant-Rear, RH				
25	3256-22	2	Washer-Flat				
26	321-7	2	Screw-HH				
27	77-0500	1	Discharge Plug ASM				
27:1	3295-35	1	Rivet-Head, Flat				
27:3	76-4640	1	Latch-Plug, Discharge				



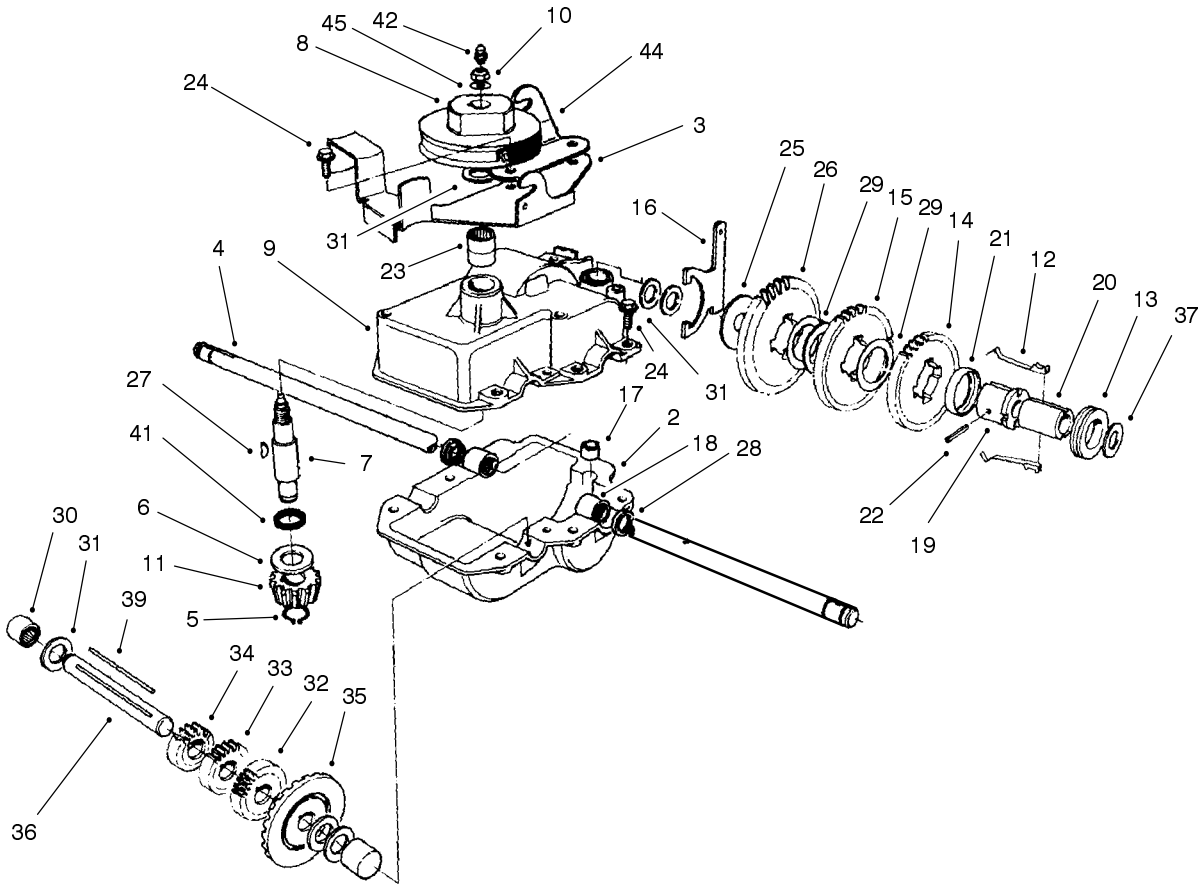
Sheet No.:A2
C-2989

Front Wheel and Tire Assembly

Ref. No.	Part No.	Qty.	Description
1	53-7740	1	Tire
2	53-7780-06	2	Plate-Wheel, Half
3	321-2	4	Screw-HH
4	3296-42	4	Nut-Lock NI
☆5		1	Hub & Bearing ASM
5:1	52-2410	1	Hub-Bearing
5:2	52-2440	1	Spacer-Bearing
5:3	52-2450	2	Bearing-Wheel

Ref. No.	Part No.	Qty.	Description

☆ Not serviced

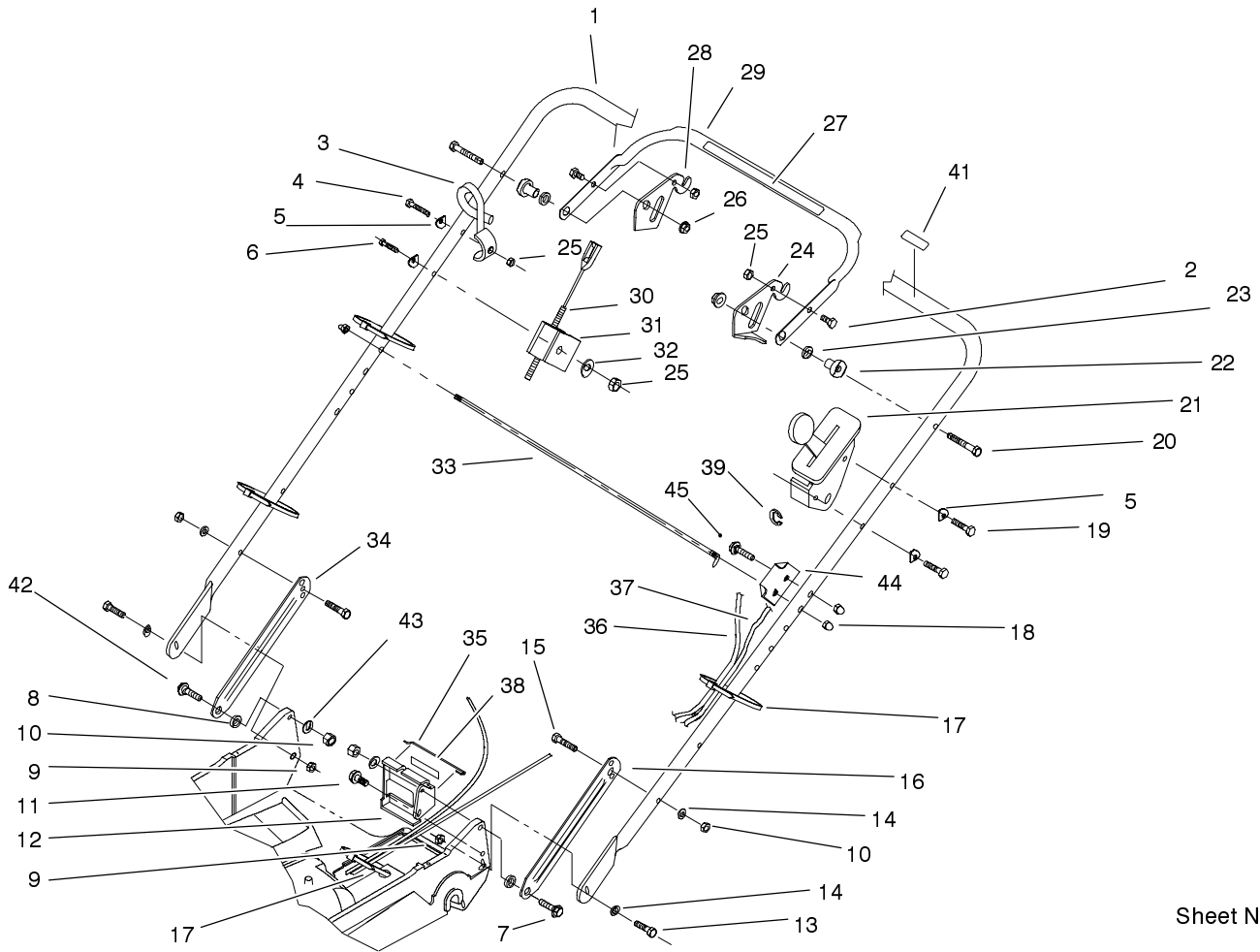


Sheet No.:A3
C-2990

Gear Case Assembly No. 74-1861

Ref. No.	Part No.	Qty.	Description
2	74-1920	1	Case-Gear, Lower
3	49-8461-03	1	Bracket-Guide, Belt
4	74-1890	1	Shaft-Output
5	32151-57	1	Ring-Retaining
6	47-2910	1	Washer-Thrust
7	68-8190	1	Shaft-Input
8	39-6740	1	Pulley
9	74-1880	1	Case-Gear, Upper
10	3296-5	1	Nut-Lock NI
11	39-6660	1	Pinion-Bevel
12	29-9330	2	Key
13	29-9340	1	Collar-Shift
14	42-4740	1	Gear-38 Tooth
15	29-9271	1	Gear-42 Tooth
16	60-8870	1	Yoke-Shift
17	29-9570	1	Bushing-Yoke
18	47-6730	2	Seal-Oil
19	55-8010	1	Sleeve-Gear
20	39-6720	1	Sleeve
21	55-8020	1	Retainer-Key
22	3285-19	1	Pin-Groove
23	47-7270	2	Bearing
24	49-2040	6	Screw-Tapping
25	29-9690	1	Washer
26	46-3560	1	Gear
27	3257-1	2	Key-Woodruff

Ref. No.	Part No.	Qty.	Description
28	48-2060	2	Bearing-Roller
29	36-4770	3	Washer
30	252-103	2	Bearing-Closed
31	36-4792	4	Washer-Thrust
32	39-6650	1	Gear-18t
33	46-3550	1	Gear-14t
34	46-3540	1	Gear-12t
35	74-1760	1	Gear-Bevel
36	53-7950	1	Shaft-Intermediate
37	36-4780	3	Washer
39	39-7842	1	Key
41	47-7260	1	Seal
42	302-63	1	Zerk
44	74-1750-03	1	Brake-Engage, Traction
45	3256-45	1	Washer-Flat



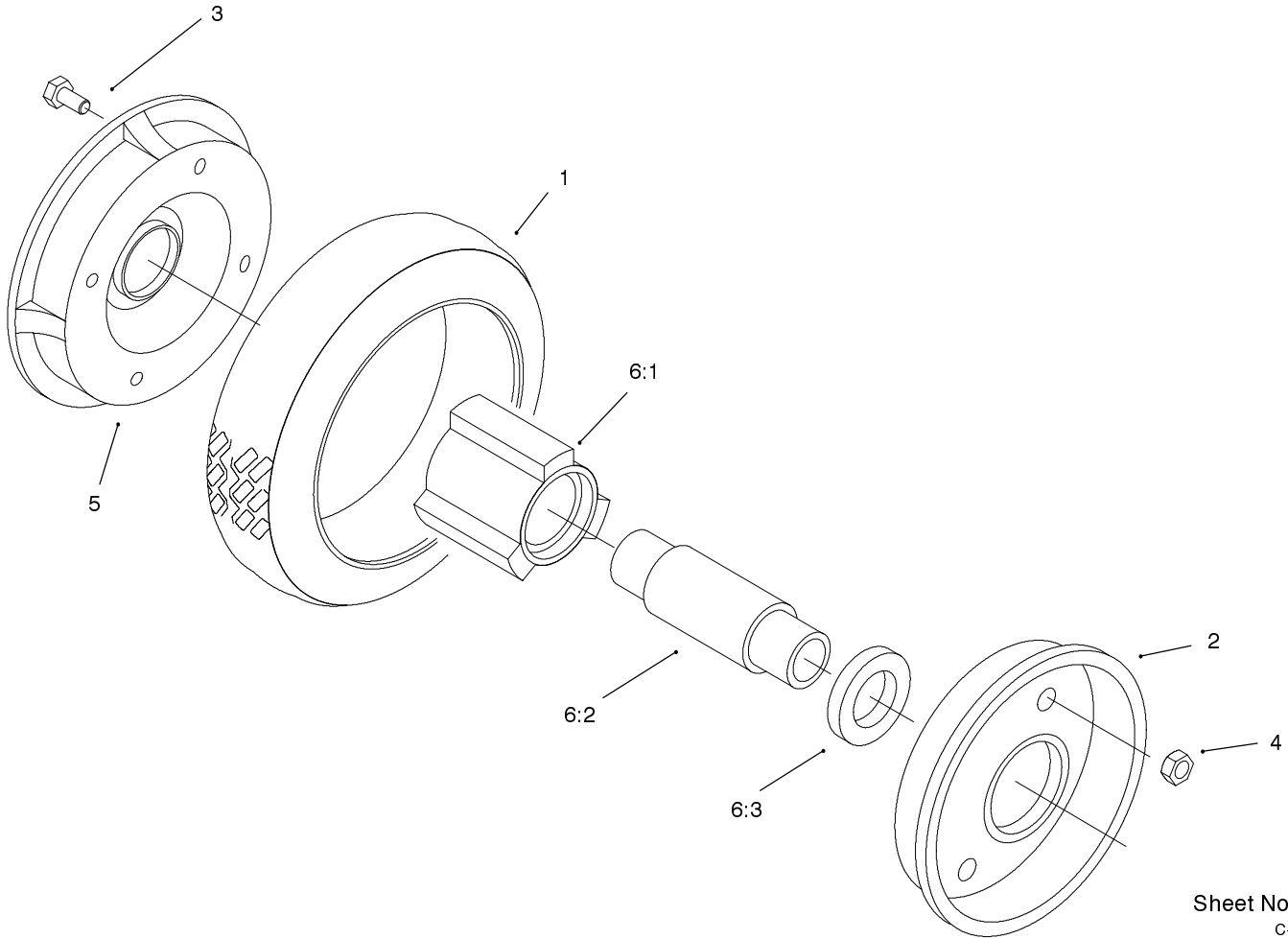
Sheet No.:4

Handle and Controls Assembly

Ref. No.	Part No.	Qty.	Description
1	98-2000-03	1	Handle
2	321-4	2	Screw-HH
3	46-8081	1	Guide-Rope
4	321-9	1	Screw-HH
5	3-7501	4	Washer
6	321-15	1	Screw-HH
7	27-7210	1	Screw-Shoulder
8	3-3287	2	Spacer-Latch, Handle
9	3296-47	2	Nut-Lock, NI
10	3296-29	4	Nut-Lock
11	32144-70	1	Screw-HH
12	74-1741	1	Bracket-Traction Adjustment
13	322-6	2	Screw-HH
14	3290-456	4	Washer-Belleville
15	322-7	2	Screw-HH
16	100-3298-03	1	Latch-Handle, LH
17	3290-378	5	Tie-Cable
18	32111-7	3	Nut-Cap
19	321-13	2	Screw-HH
20	322-11	2	Screw-HH
21	82-9952	1	Bracket-Throttle Control
22	49-1630	2	Spacer-Support
23	256-276	2	Spacer-Nylon
24	66-5350	1	Lever-Control

Ref. No.	Part No.	Qty.	Description
25	3296-42	4	Nut-Lock NI
26	3296-58	2	Nut-Lock NI
27	82-2380	1	Decal/Traction Control
28	77-5270	1	Lever-Control
29	61-8270-03	1	Bar-Control
30	99-6291	1	Cable-Brake
31	46-6980	1	Support-Cable
32	3256-22	1	Washer-Flat
33	48-2810	1	Rod-Support, Bag
34	100-3297-03	1	Latch-Handle, RH
35	46-7030	1	Retainer-Cable
36	74-1791	1	Cable-Traction
37	70-1061	1	Cable-Throttle
38	74-1970	1	Decal-Position, Gear
39	32151-86	2	E-Ring
41	98-4387	1	Decal-Protection, Ear
42	27-7211	1	Screw-Shoulder
43	3256-23	2	Washer-Flat
44	104-1326	1	Plate - Bag Aligning
45	3229-3	1	Screw-CARR

3325-108



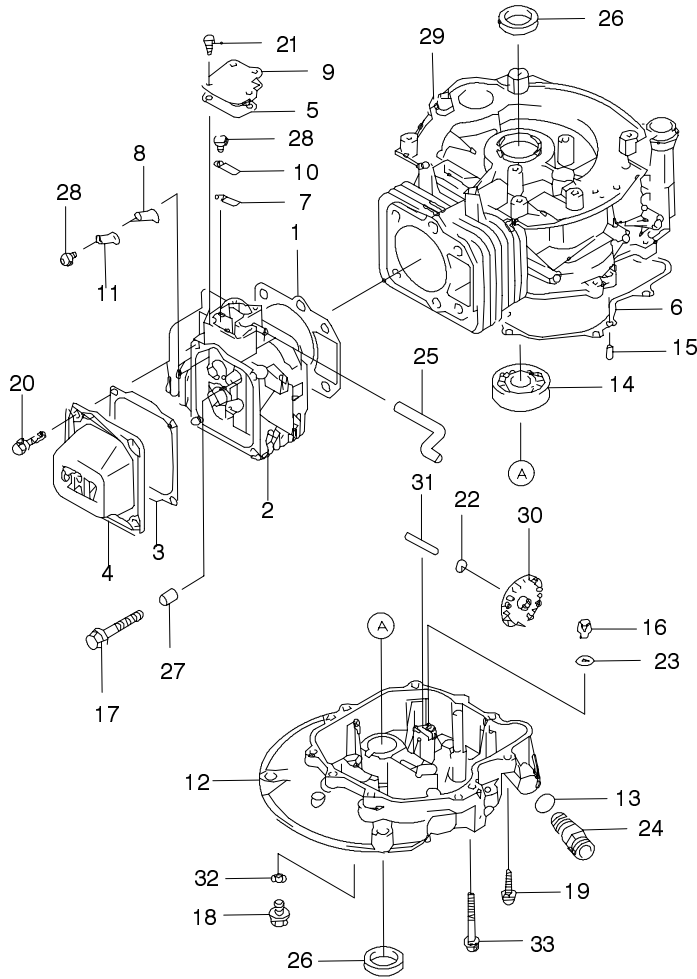
Sheet No.:A4
C-2991

Rear Wheel and Tire Assembly No. 74-1720

Ref. No.	Part No.	Qty.	Description
1	53-7740	1	Tire
2	53-7780-06	1	Plate-Wheel, Half
3	321-2	4	Screw-HH
4	3296-42	4	Nut-Lock NI
5	92-4957-06	1	Wheel Half/Gear ASM
☆6		1	Hub & Bearing ASM
6:1	52-2410	1	Hub-Bearing
6:2	52-2440	1	Spacer-Bearing
6:3	52-2450	2	Bearing-Wheel

Ref. No.	Part No.	Qty.	Description

☆ Not serviced

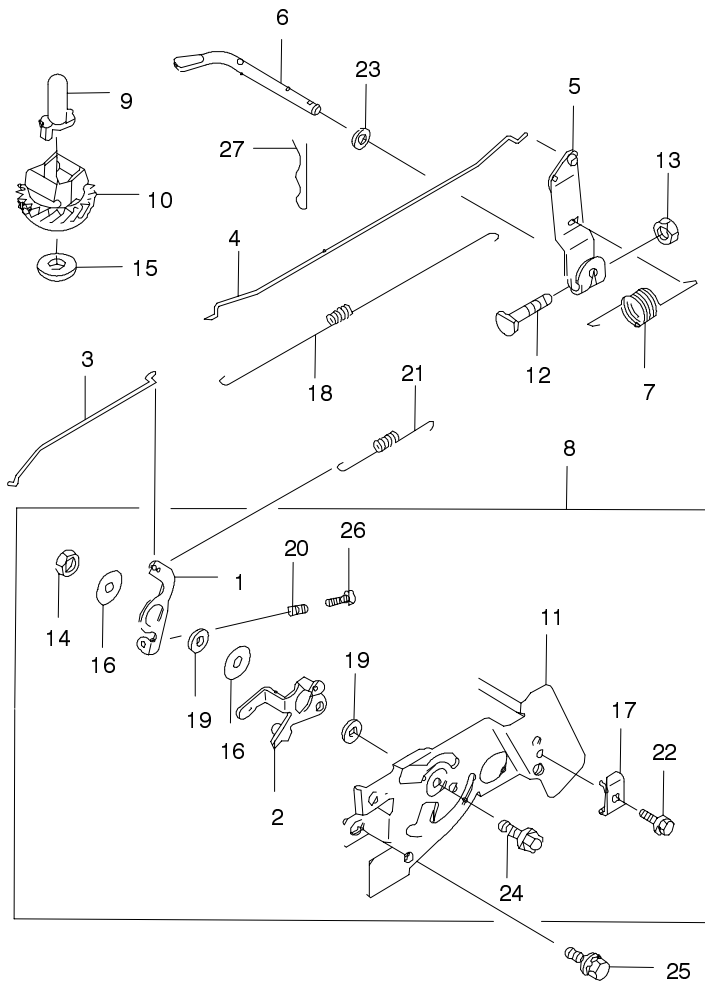


Sheet No.:3

Cylinder and Crankcase Assembly

Ref. No.	Part No.	Qty.	Description
1	100-2742	1	Gasket-Head
2	100-2743	1	Head-Cylinder, Complete
3	100-2744	1	Case-Rocker, Gasket
4	100-2745	1	Case-Rocker
5	100-2746	1	Cover-Gasket
6	100-2747	1	Gasket-Cover, Crankcase
7	100-2748	1	Plate
8	100-2749	1	Plate
9	100-2779	1	Cover
10	100-2780	1	Valve
11	100-2781	1	Valve
12	100-2782	1	Cover-Crankcase
13	100-2840	1	O-Ring
14	100-2841	1	Bearing-Ball
15	93-8516	2	Pin
16	100-2842	1	Bolt
17	KW10035	4	Bolt-Flanged
18	KW10033	1	Bolt-Flanged
19	100-2610	6	Bolt-Flanged
20	100-2804	4	Bolt-Flanged
21	100-2609	4	Bolt-Flanged
22	100-2843	1	Washer
23	100-2844	1	Washer
24	100-2854	1	Plug

Ref. No.	Part No.	Qty.	Description
25	100-2846	1	Tube
26	100-2847	2	Seal-Oil
27	100-2848	2	Pin
28	93-8549	2	Screw
29	100-2849	1	Crankcase-Complete
30	99-6728	1	Slinger-Oil
31	99-6729	1	Shaft
32	99-6730	1	Gasket
33	100-2855	1	Bolt-Flanged

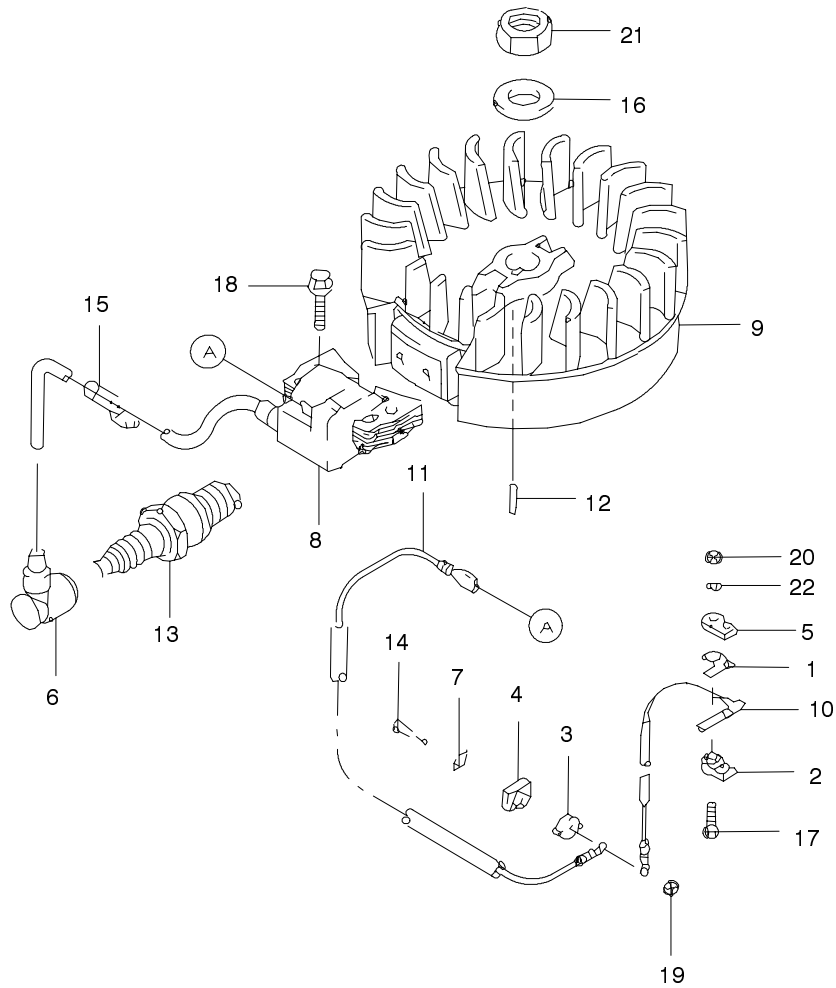


Sheet No.:5

Control Linkage Assembly

Ref. No.	Part No.	Qty.	Description
1	100-2700	1	Lever
2	100-2701	1	Lever
3	100-2702	1	Link-Choke
4	100-2703	1	Link
5	100-2704	1	Arm ASM
6	100-2705	1	Arm-Pivot
7	100-2706	1	Spring-Governor
8	100-2707	1	Control Panel ASM
9	100-2708	1	Sleeve
10	93-8611	1	Governor ASM
11	100-2710	1	Panel-Control
12	93-8608	1	Washer
13	93-8631	1	Nut
14	93-8595	1	Nut
15	94-6842	1	Washer
16	100-2715	2	Washer
17	95-9849	1	Clamp
18	100-2717	1	Link-Spring
19	100-2718	2	Collar
20	93-8588	1	Spring
21	100-2720	1	Spring
22	95-9853	1	Bolt
23	93-8608	1	Washer
24	95-9837	1	Bolt - Flanged
25	100-2724	2	Bolt

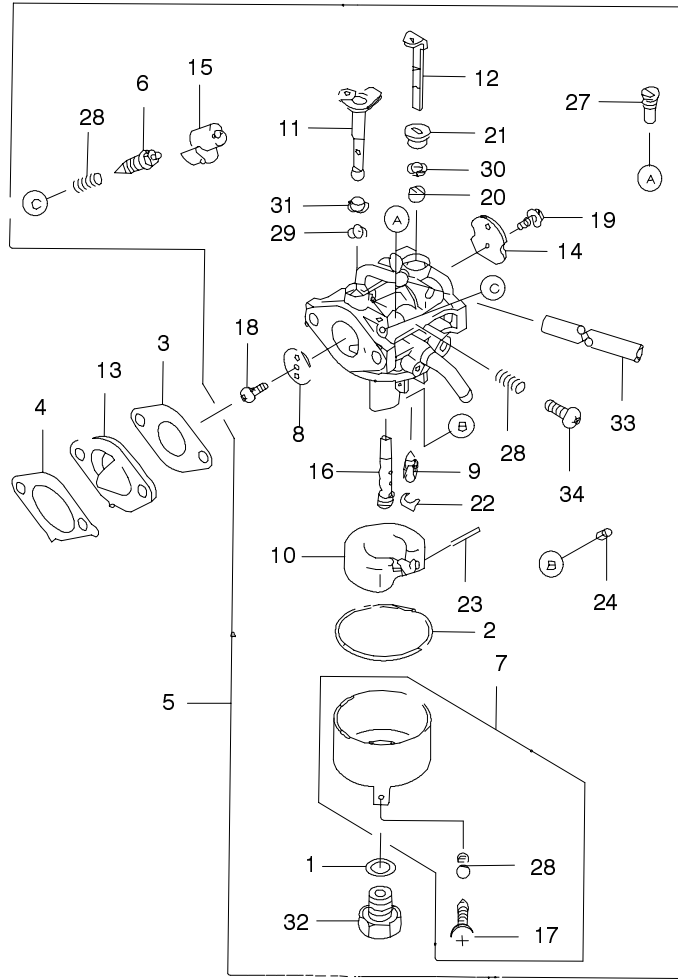
Ref. No.	Part No.	Qty.	Description
26	100-2725	1	Screw-Pan
27	93-8607	1	Pin-Snap



Sheet No.:8

Flywheel and Ignition Assembly

Ref. No.	Part No.	Qty.	Description	Ref. No.	Part No.	Qty.	Description
1	100-2650	1	Plate				
2	100-2651	1	Cover				
3	100-2652	1	Cover				
4	100-2653	1	Insulator				
5	100-2654	1	Insulator				
6	KW10087	1	Plug-Cap				
7	100-2656	1	Terminal				
8	100-2657	1	Ignition Coil ASM				
9	100-2658	1	Flywheel-Complete				
10	100-2659	1	Wire Lead				
11	100-2660	1	Wire-Lead				
12	93-8571	1	Key				
13	KW10676	1	Plug-Spark				
14	100-2663	1	Bolt				
15	100-2664	1	Clamp				
16	100-2665	1	Washer				
17	100-2666	1	Bolt Upset				
18	100-2610	2	Bolt-Flanged				
19	100-2668	1	Nut-Hex				
20	100-2669	1	Nut Hex				
21	93-8568	1	Nut				
22	100-2671	1	Washer Plain S				



Sheet No.:9

Carburetor Assembly

Ref. No.	Part No.	Qty.	Description
1	100-2611	1	Gasket
2	100-2612	1	Gasket
3	100-2613	1	Gasket-Carburetor
4	100-2614	1	Gasket-Insulator
5	100-2615	1	Carburetor ASM
6	100-2616	1	Screw-Pilot, Air
7	100-2617	1	Float-Chamber
8	100-2618	1	Valve-Throttle
9	100-2619	1	Valve-Float
10	100-2620	1	Float
11	100-2621	1	Shaft-Throttle, Carburetor
12	100-2622	1	Shaft-Choke, Carburetor
13	100-2623	1	Insulator
14	100-2624	1	Valve
15	100-2625	1	Limiter
16	100-2626	1	Nozzle-Main
17	100-2627	1	Screw
18	100-2628	1	Screw
19	100-2629	2	Screw
20	100-2630	1	Collar
21	100-2631	1	Collar
22	KW10297	1	Clip
23	100-2633	1	Pin
24	100-2634	1	Jet-Main

Ref. No.	Part No.	Qty.	Description
27	100-2635	1	Jet-Pilot
28	100-2636	3	Spring
29	100-2637	1	Seal
30	100-2638	1	Seal
31	100-2639	1	Collar
32	100-2640	1	Bolt
33	100-2641	1	Tube
34	100-2642	1	Screw-Pan

