



Count on it.

Parts Catalog

Greensmaster® 1026

Mower

Model No. 04840—Serial No. 40000000 and Up



Ordering Replacement Parts

To order replacement parts, please supply the part number, the quantity, and the description of each part desired.

Understanding Reference Numbers

Each identified part in an illustration has a reference number. The reference number for a part also appears in the parts list, along with other information about the part.

This catalog uses two special reference number formats, one to indicate parts in a service assembly and another to indicate the quantity of a given part in an illustration.

Service Assembly Reference Numbers

Parts in service assemblies have reference numbers in the form a:b. The a represents the reference number of the entire service assembly and the b represents a sequential number unique to each part within the service assembly.

For example, a wheel assembly might be identified by reference number 6, the tire by 6:1, the valve by 6:2, and the wheel by 6:3. When you order the assembly identified by reference number 6, you receive all parts identified by reference numbers 6:1, 6:2, and 6:3. However, you may also order any part individually. Reference numbers of this type appear in illustration and in parts lists.

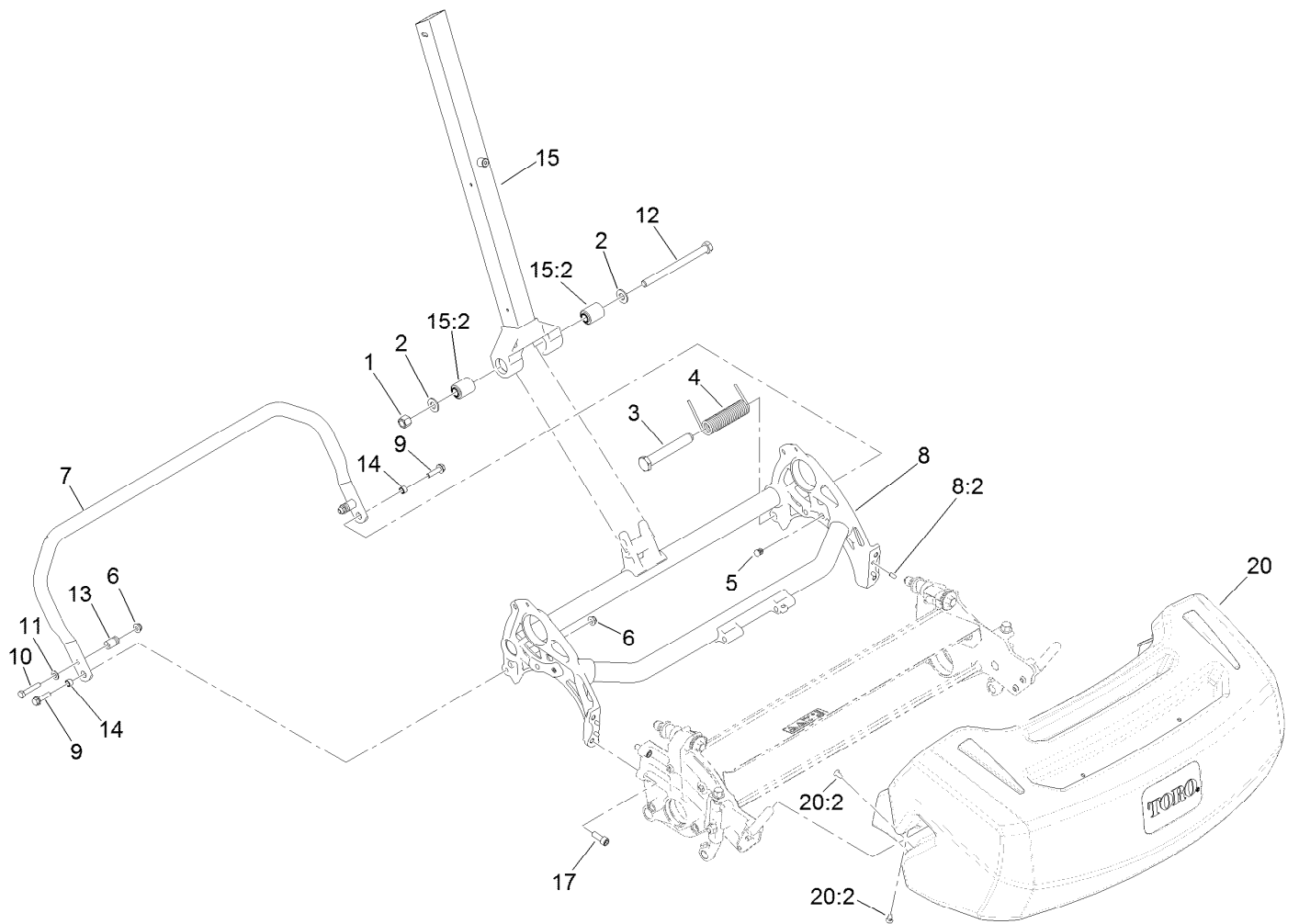
Reference Numbers Indicating Quantity

In an illustration, if a reference number indicates more than one part, the reference number has the form nX y. The n represents the quantity of the part, the X is the multiplication symbol, and the y represents the reference number.

For example, in an illustration, the reference number 2X 37 means that two of the parts identified by reference number 37 are indicated.

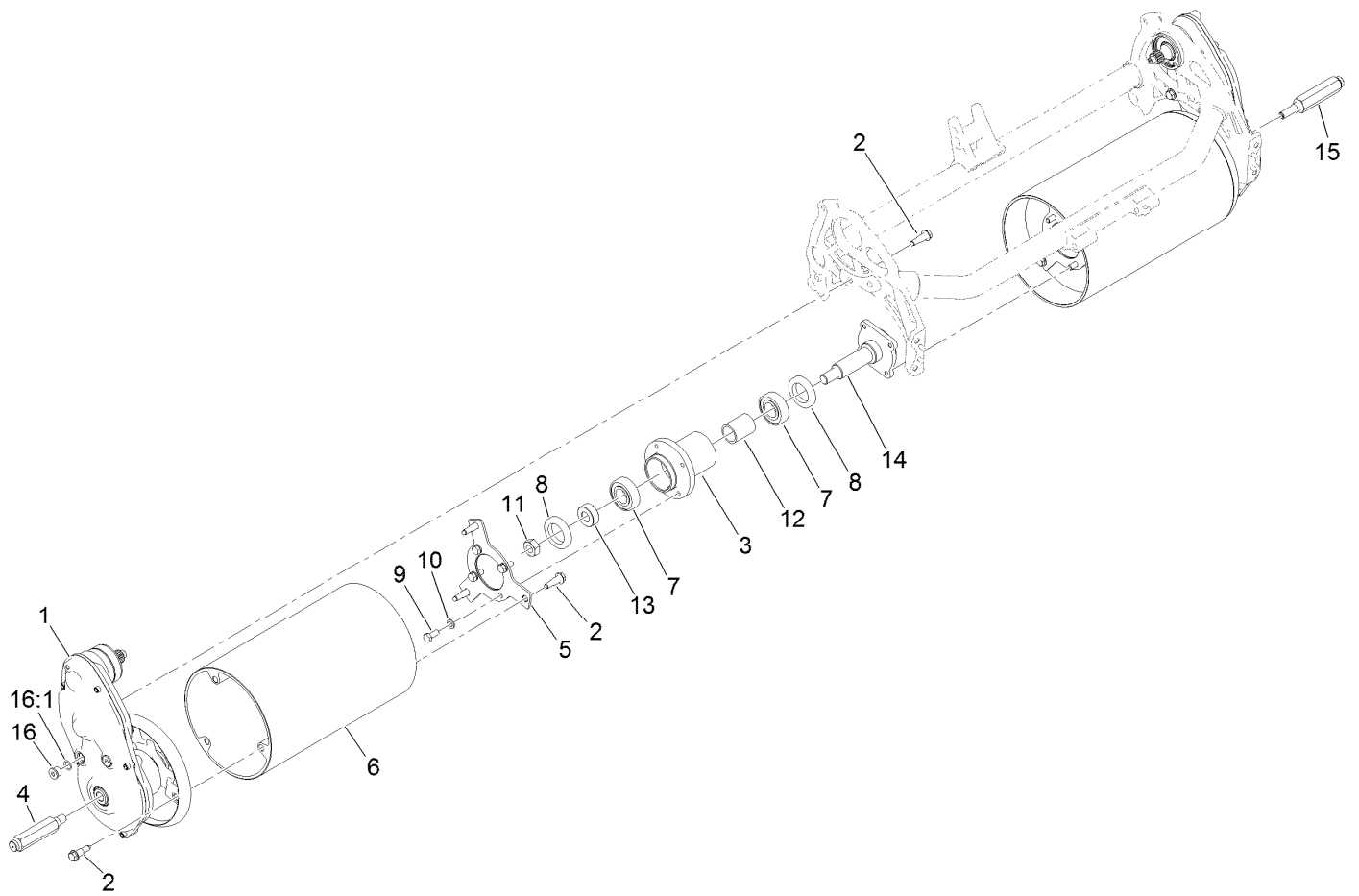
Contents

Frame and Handle Mount Assembly	4
Drum Drive Assembly	5
Drum Drive Gearbox Assembly No. 132-4566	6
Transmission Assembly	7
Transmission Gearbox Assembly No. 130-6820 Transmission Case Assembly	8
Transmission Gearbox Assembly No. 130-6820 Reel Drive Assembly	9
Transmission Gearbox Assembly No. 130-6820 Traction Drive Assembly	10
Differential Assembly No. 132-4555	11
Engine Assembly	12
Engine Assembly No. 138-2142	13
Reel Controls and Covers Assembly	14
Upper Handle Assembly	15
Traction Bail Assembly	16
CE Decal	17
Attachments and Accessories	18



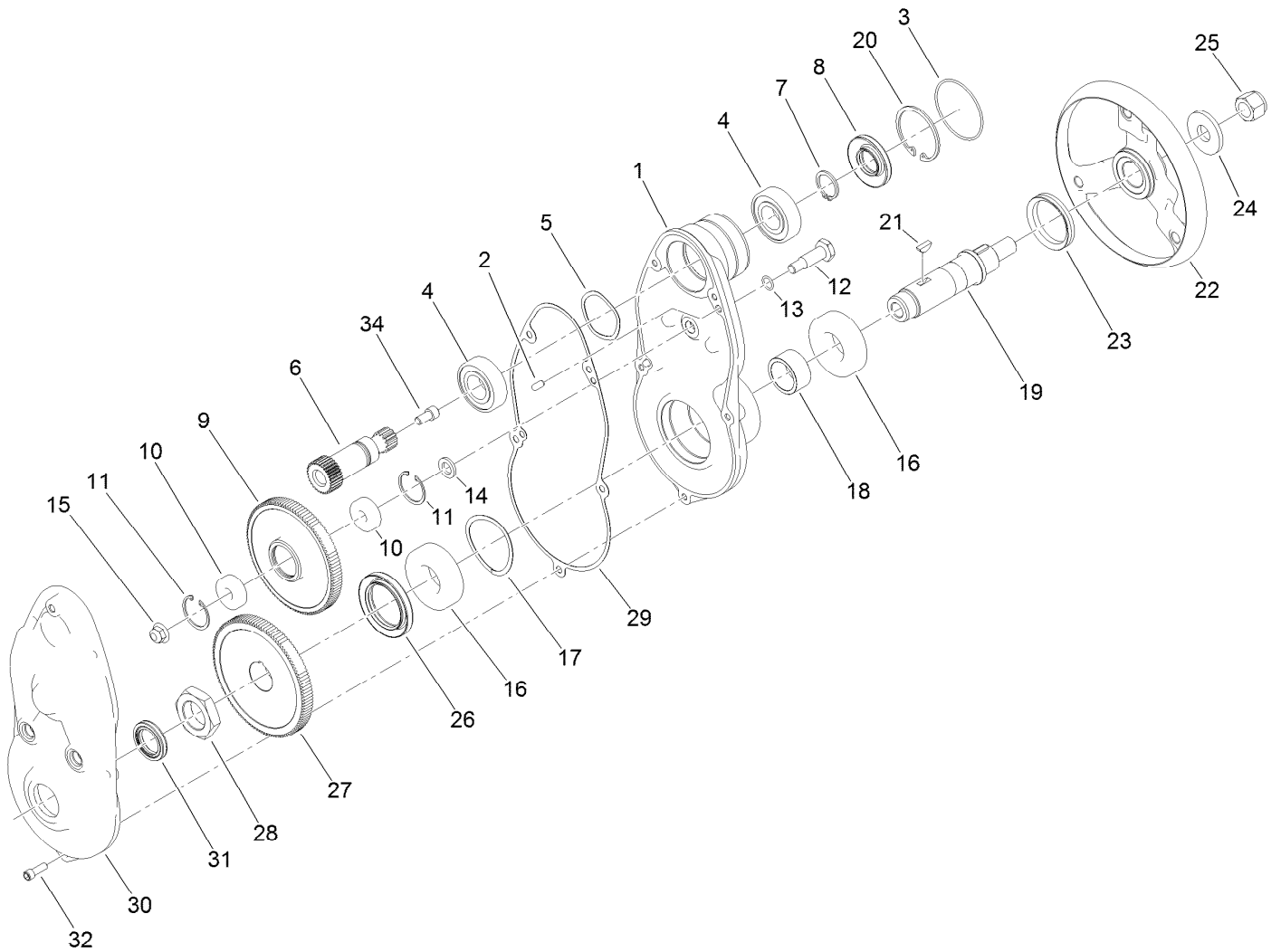
Frame and Handle Mount Assembly

<i>Ref.</i>	<i>Part Number</i>	<i>Qty.</i>	<i>Description</i>	<i>Ref.</i>	<i>Part Number</i>	<i>Qty.</i>	<i>Description</i>
1	3296-23	1	Nut-Lock, NI	10	322-9	2	Screw-HH
2	3256-26	2	Washer-Flat	11	3256-23	2	Washer-Plain
3	138-1510	1	Pin-Mount, Spring	12	325-33	1	Screw-HH
4	138-1459	1	Spring-Torsion, LH	13	65-7900	2	Retainer-Spring
5	139-4326	2	Plug-Plastic	14	65-7910	2	Spacer
6	119-4041	3	Nut-HF	15	137-0292	1	Lower Handle ASM
7	138-1577-03	1	Kickstand-26 Inch	15:2	138-1469	2	Bushing-Straight
8	138-1648	1	26 Inch Frame ASM	17	3274-7	4	Screw-HSH
8:2	95-0715	4	Pin-Dowel	20	140-9294	1	Basket-Grass
9	112-6913	2	Screw-HHF	20:2	121-4729	4	Plug



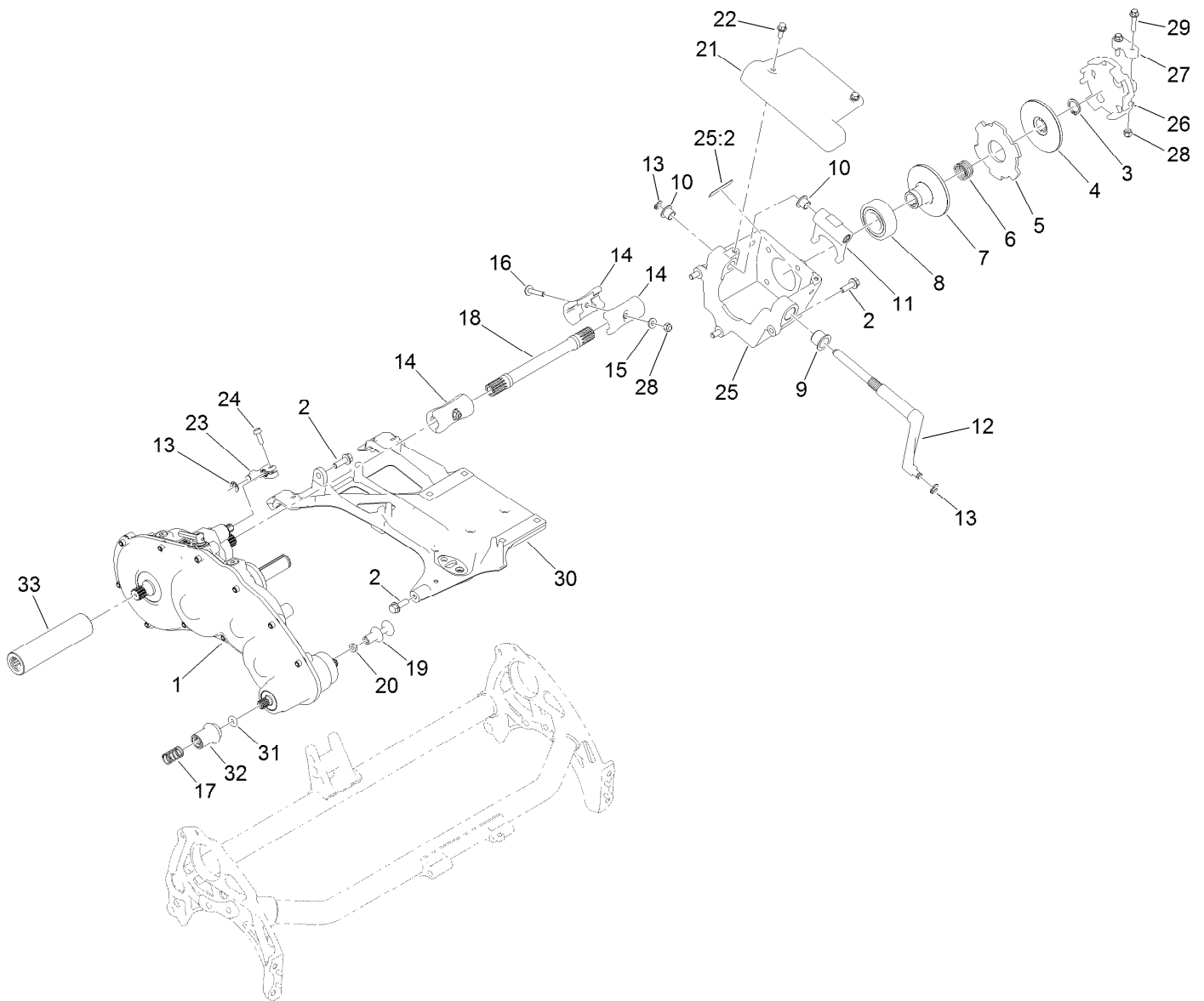
Drum Drive Assembly

<i>Ref.</i>	<i>Part Number</i>	<i>Qty.</i>	<i>Description</i>	<i>Ref.</i>	<i>Part Number</i>	<i>Qty.</i>	<i>Description</i>
1	132-4566	2	Drum Drive Gear Box ASM	10	3253-4	8	Washer-Lock
2	132-4607	14	Bolt-Shoulder, Flange	11	3296-33	1	Nut-Lock, NI
3	132-6971	1	Hub-Drum	12	65-6520	1	Spacer
4	132-4605	1	Shaft-Hex, RH	13	65-6530	1	Spacer
5	133-9240-0P	2	Plate-Drum, Hub	14	94-5850	1	Spindle-Drum
6	138-1529	2	Drum-Traction, 26 Inch	15	132-4606	1	Shaft-Hex, LH
7	251-82	2	Bearing-Ball	16	353-989	4	Plug-Hex, Hollow
8	253-159	2	Seal	16:1	237-42	1	O-Ring
9	322-3	8	Screw-HH				



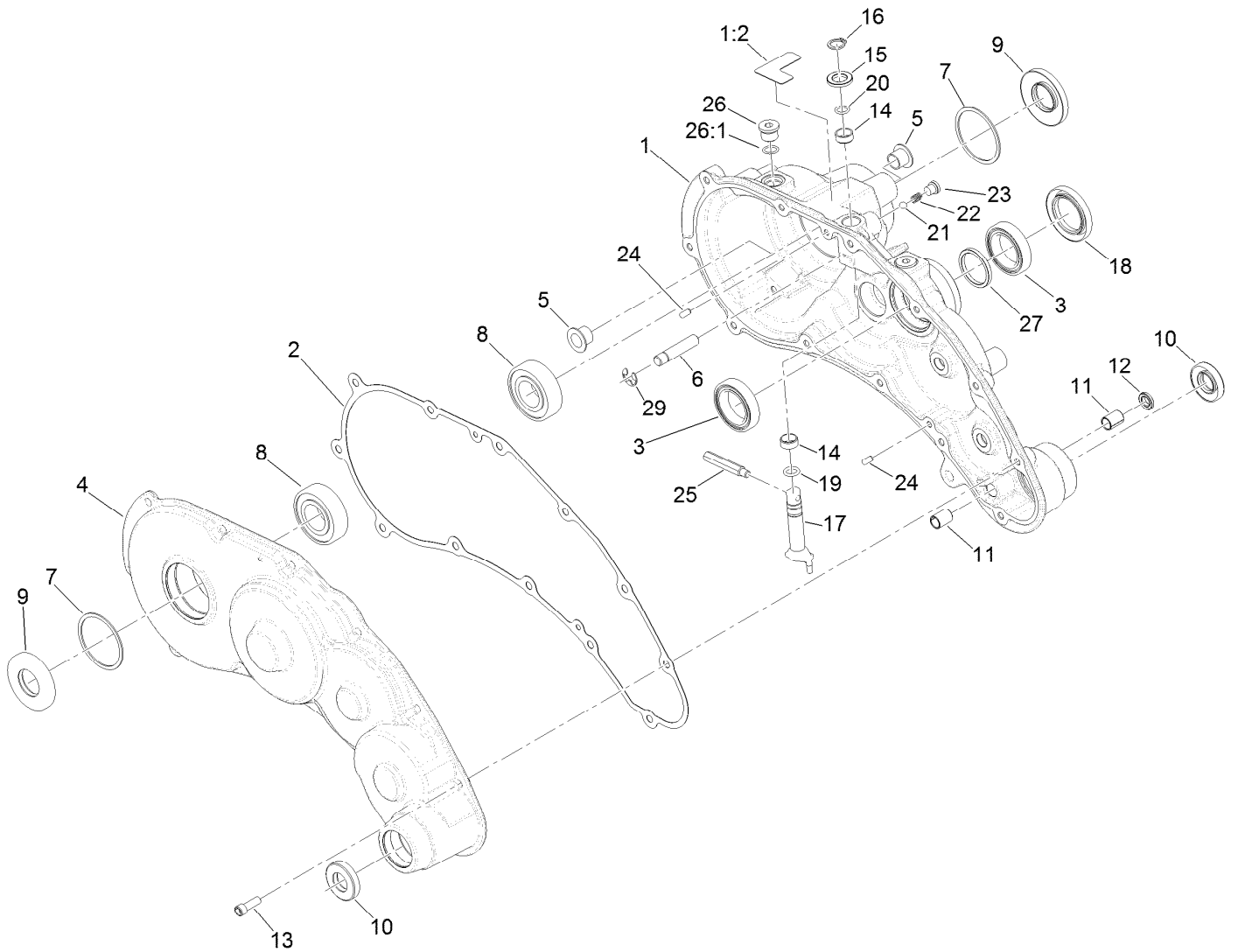
Drum Drive Gearbox Assembly No. 132-4566

<i>Ref.</i>	<i>Part Number</i>	<i>Qty.</i>	<i>Description</i>	<i>Ref.</i>	<i>Part Number</i>	<i>Qty.</i>	<i>Description</i>
1	137-0282	1	Housing-Drive, Drum	17	115-5258	1	Spring-Wire, Flat
2	133-4591	2	Pin-Dowel	18	132-4568	1	Spacer
3	133-9082	1	O-Ring	19	133-4562	1	Shaft-Drum, Drive
4	251-82	2	Bearing-Ball	20	138-1480	1	Ring-Retaining, Int (52Mm)
5	3290-485	1	Washer-Wave	21	138-1504	2	Key-Woodruff, 5Mm
6	132-4565	1	Gear-Spur, 30T	22	133-9244	1	Hub-Drum, Outer
7	138-1507	1	Ring-Retaining, EXT (25Mm)	23	253-161	1	Seal-V-Ring
8	138-1491	1	Seal-Oil	24	104-9216	1	Washer-Hardened
9	137-0274	1	Gear-Spur, 108T	25	126-3841	1	Nut-Hex, NI
10	49-2410	2	Bearing-Ball	26	138-1490	1	Seal-Oil
11	138-1506	2	Ring-Retaining, Int (32Mm)	27	137-0275	1	Gear-Spur, 114T
12	133-4558	1	Pin-Bearing, Short	28	133-9078	1	Nut-Hex
13	80-8460	1	O-Ring	29	132-4569	1	Gasket-Drive, Drum
14	133-4553	1	Spacer-Bearing	30	137-0284	1	Cover-Drive, Drum
15	119-4042	1	Nut-HF, NI	31	133-4559	1	Seal-Oil
16	251-312	2	Bearing-Ball	32	3274-8	5	Screw-HSH
				34	3274-12	1	Screw-HSH



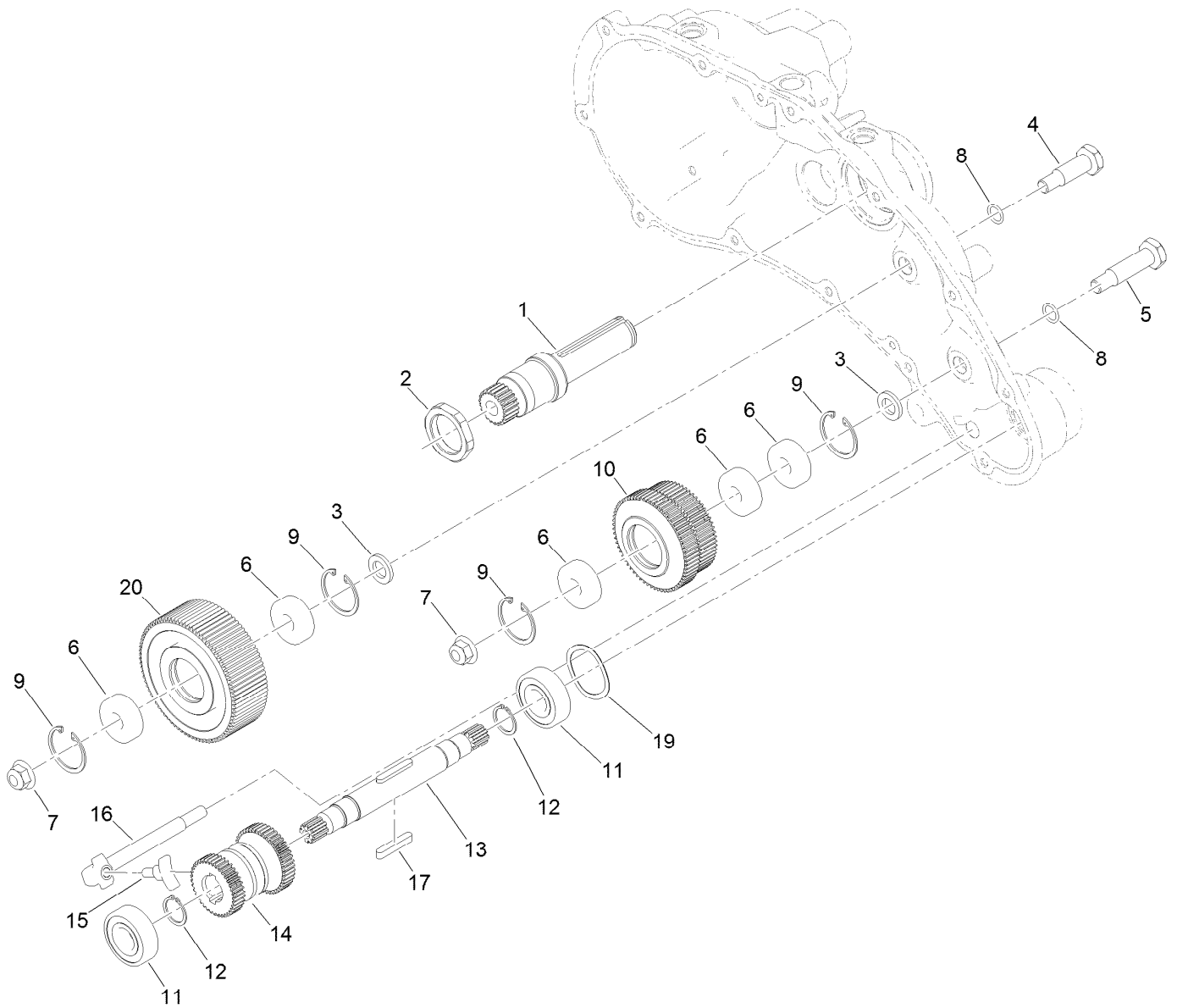
Transmission Assembly

<i>Ref.</i>	<i>Part Number</i>	<i>Qty.</i>	<i>Description</i>	<i>Ref.</i>	<i>Part Number</i>	<i>Qty.</i>	<i>Description</i>
1	130-6820	1	Transmission Gear Box ASM	18	139-4328	1	Shaft-Drive, 26 Inch
2	115-5142	5	Screw-HHF	19	133-9207	1	Adapter-Slider
3	32151-33	1	Ring-Retaining, EXT	20	120-9638	1	Nut-Jam
4	133-9095	1	Disc-Clutch	21	138-5545	1	Cover-Clutch
5	133-9094	1	Plate-Friction	22	120-9678	2	Screw-HHF
6	133-9123	1	Spring-Compression, Clutch	23	133-9117	1	Lever-Brake, Cable
7	138-1508	1	Disc-Clutch, Slider	24	131-6150	1	Screw-HWHTF
8	138-1505	1	Bearing-Sealed, Self Aligning	25	139-4301	1	Bell Housing ASM
9	132-4089	1	Bushing	25:2	120-9570	1	Decal-Warning
10	125-5239	2	Bushing-Flange	26	138-3542	1	Hub-Clutch, External
11	138-3548	1	Fork-Clutch	27	138-5522	1	Clamp-Hub, Clutch
12	138-3549	1	Shaft-Fork	28	3296-42	4	Nut-Lock, NI
13	32151-47	3	Ring-Retaining	29	127-8639	2	Screw-HHF
14	133-9100	4	Coupler-Splined, 4 Tooth	30	138-5517	1	Base-Engine
15	119-8952	2	Washer	31	139-4357	1	O-Ring
16	126-8232	2	Screw-Truss	32	132-4619	1	Tube-Drive, Reel
17	133-9128	1	Spring-Compression, Coupler	33	138-1616	1	Tube-Drive



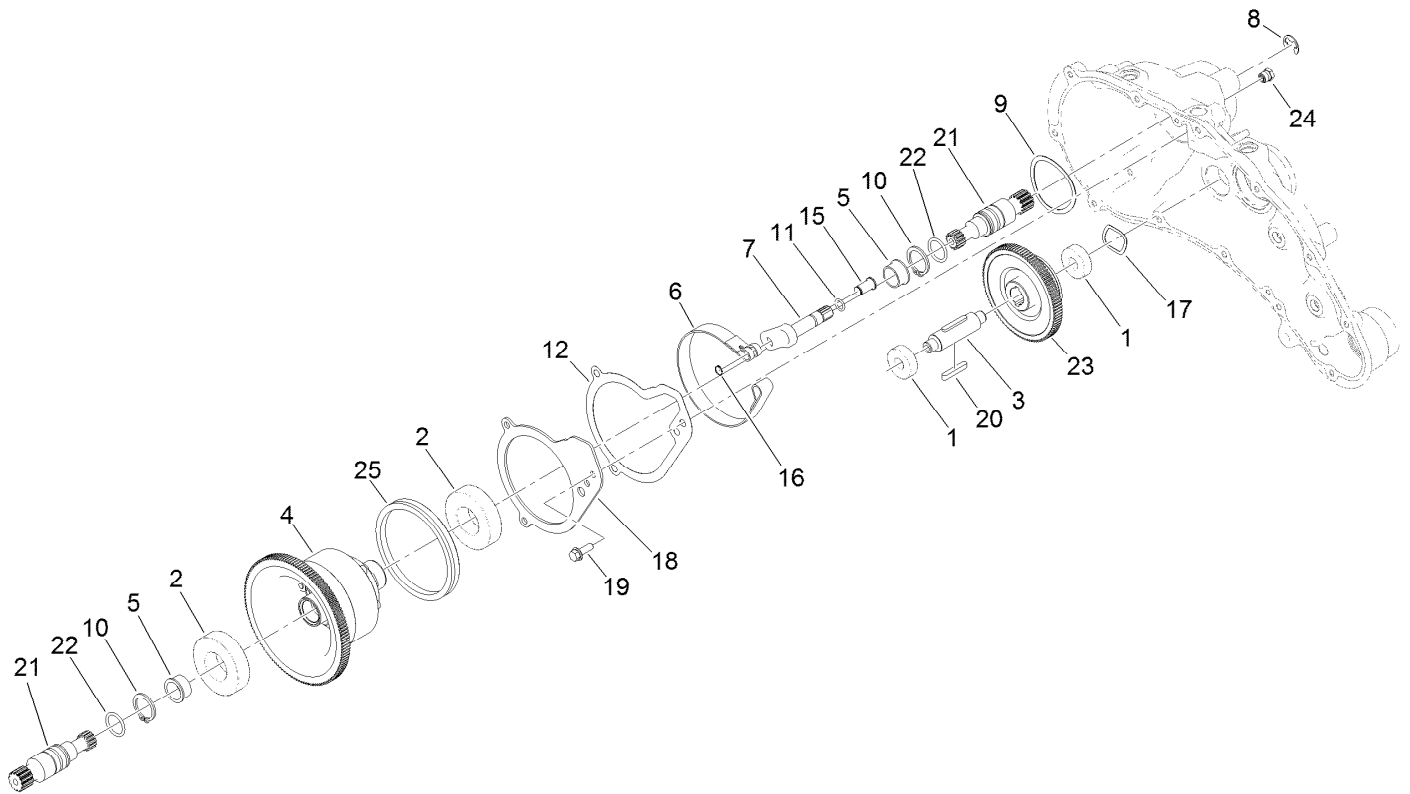
Transmission Gearbox Assembly No. 130-6820 Transmission Case Assembly

<i>Ref.</i>	<i>Part Number</i>	<i>Qty.</i>	<i>Description</i>	<i>Ref.</i>	<i>Part Number</i>	<i>Qty.</i>	<i>Description</i>
1	139-4306	1	Transmission Housing ASM	15	108-5059	1	Spacer-Bushing
1:2	138-1644	1	Decal-Release, Traction	16	32151-61	1	Ring-Retaining
2	132-4551	1	Gasket-Transmission	17	130-6816	1	Shaft-Selector, Traction
3	121-9281	2	Bearing-Ball	18	116-5647	1	Seal-Grease
4	138-1603	1	Transmission Cover ASM	19	131-1879	1	O-Ring Seal
5	125-5239	2	Bushing-Flange	20	237-22	1	O-Ring
6	133-9122	1	Pin-Mount, Brake	21	105-2442	1	Ball-Detent
7	32151-92	2	Ring-Retaining	22	105-2443	1	Spring-Detent
8	251-82	2	Bearing-Ball	23	131-1825	1	Plug-ORB
9	133-9075	2	Seal-Oil	24	121-9249	2	Pin-Dowel
10	130-9463	2	Seal-Oil	25	133-9149	1	Pin-Groomer
11	131-3038	2	Bushing-Sleeve	26	353-989	2	Plug-Hex, Hollow
12	131-3126	1	Seal-Oil	26:1	237-42	1	O-Ring
13	3274-8	12	Screw-HSH	27	138-1496	1	Spacer
14	121-4738	2	Bushing-Straight	29	105-7004	1	E-Ring



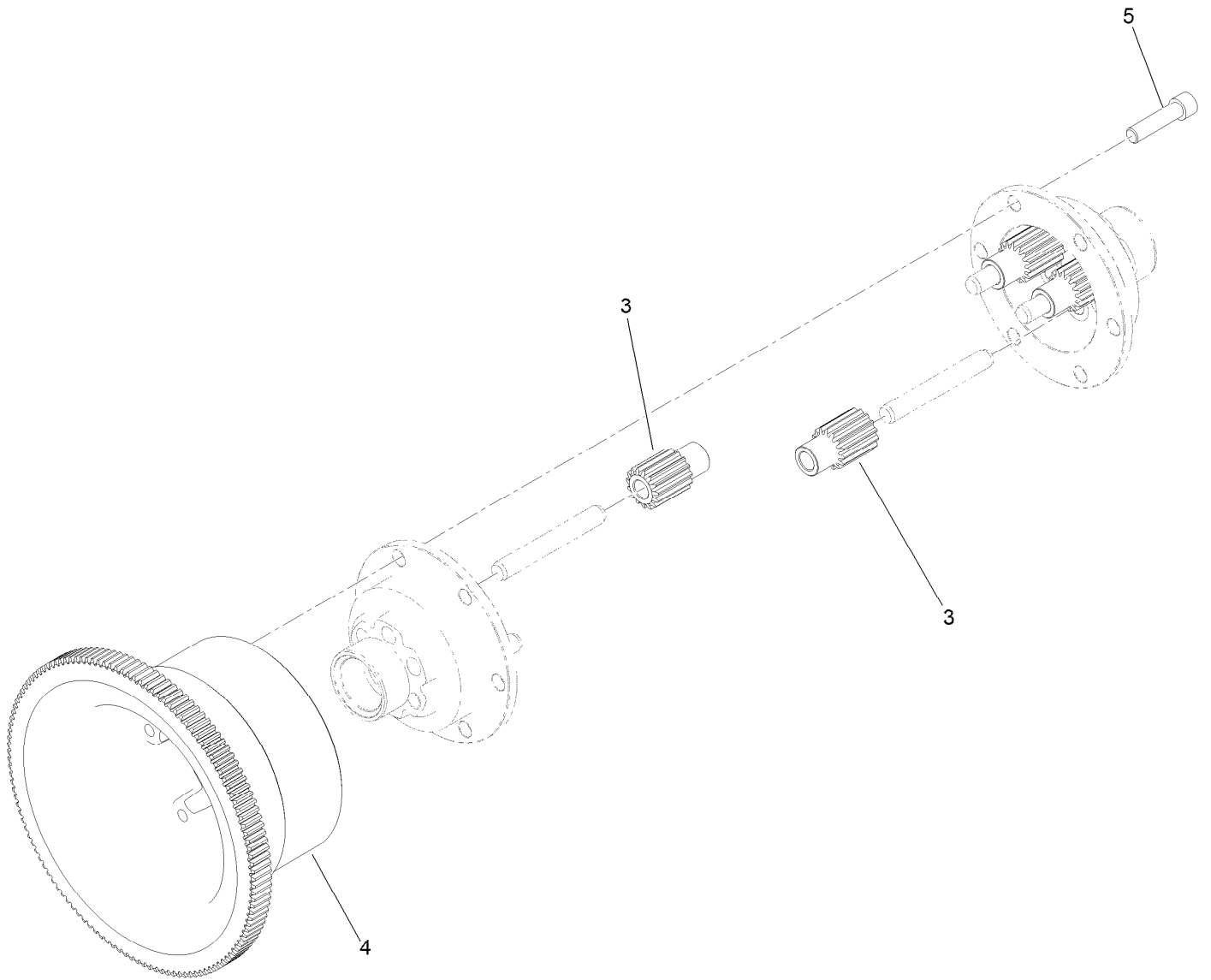
Transmission Gearbox Assembly No. 130-6820 Reel Drive Assembly

<i>Ref.</i>	<i>Part Number</i>	<i>Qty.</i>	<i>Description</i>	<i>Ref.</i>	<i>Part Number</i>	<i>Qty.</i>	<i>Description</i>
1	138-1509	1	Shaft-Input, 22T	11	38-7820	2	Bearing-Ball
2	138-1495	1	Nut-Lock, Thin	12	138-1629	2	Ring-Retaining, EXT (17Mm)
3	133-4553	2	Spacer-Bearing	13	130-6825	1	Shaft-Drive, Reel
4	133-4558	1	Pin-Bearing, Short	14	130-6834	1	Gear-Spur, Slider
5	133-4557	1	Pin-Bearing, Long	15	133-9120	1	Shoe-Clutch, Reel
6	49-2410	5	Bearing-Ball	16	133-9121	1	Actuator-Clutch, Reel
7	104-8301	2	Nut-HF, NI	17	103-2739	2	Key
8	80-8460	2	O-Ring	19	131-3170	1	Spring-Wave
9	138-1506	4	Ring-Retaining, Int (32Mm)	20	137-0273	1	Gear-Spur, 85T
10	137-0272	1	Gear-Spur, 60T/65T				



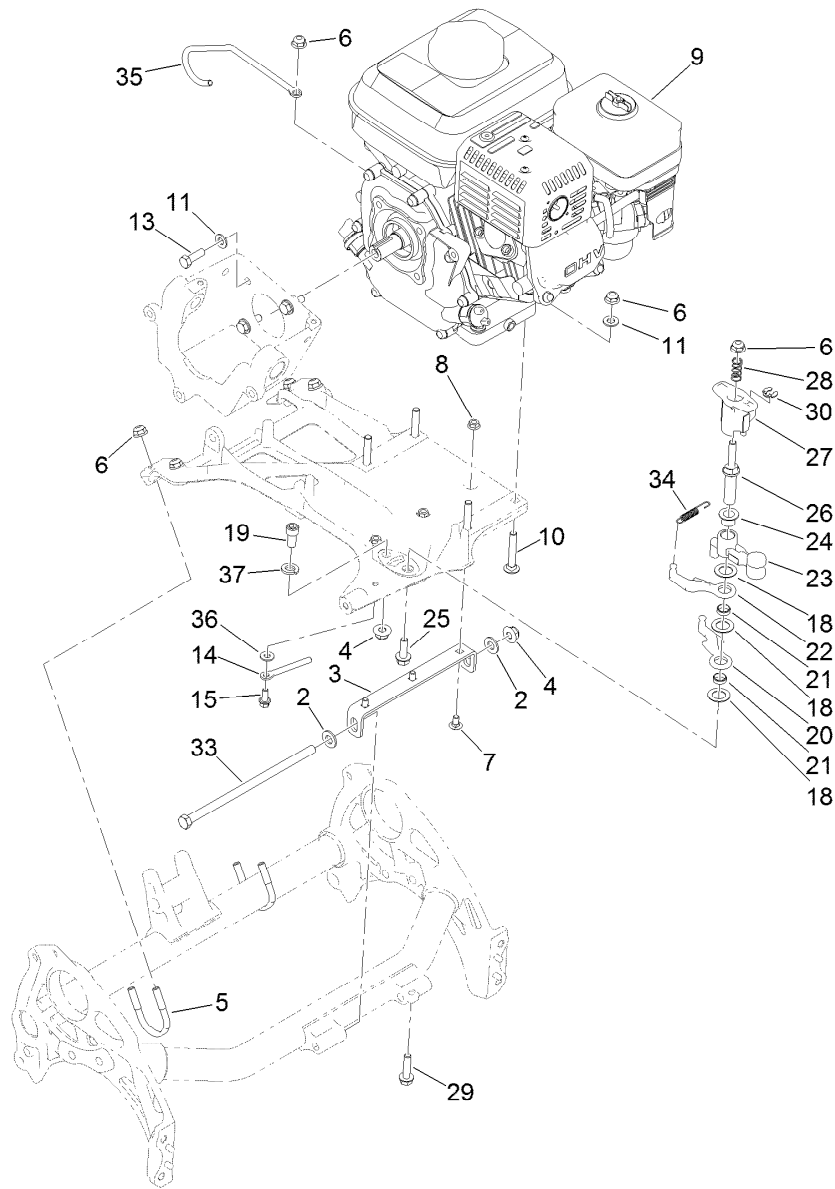
Transmission Gearbox Assembly No. 130-6820 Traction Drive Assembly

<i>Ref.</i>	<i>Part Number</i>	<i>Qty.</i>	<i>Description</i>	<i>Ref.</i>	<i>Part Number</i>	<i>Qty.</i>	<i>Description</i>
1	49-2410	2	Bearing-Ball	15	120-9687	1	Pin-Clevis, Brake
2	251-312	2	Bearing-Ball	16	32120-46	1	Ring-Retaining
3	137-0236	1	Shaft-Slider, Neutral	17	112-5163	1	Washer-Wave
4	132-4555	1	Differential ASM	18	137-0238	1	Plate-Retainer
5	256-252	2	Bearing-Flange	19	119-1138	4	Screw-HWH
6	130-6824	1	Band-Brake	20	103-2739	2	Key
7	132-4550	1	Lever-Brake	21	130-6841	2	Shaft-Differential
8	32120-47	1	Ring-Retaining, External	22	237-159	2	O-Ring
9	115-5258	1	Spring-Wire, Flat	23	137-0276	1	Gear-Spur, Neutral (93T)
10	32151-36	2	Ring-Retaining	24	133-4589	1	Fitting-Plug
11	237-22	1	O-Ring	25	138-1472	1	V-Ring, Seal
12	138-1631	1	Gasket-Plate, Brake				



Differential Assembly No. 132-4555

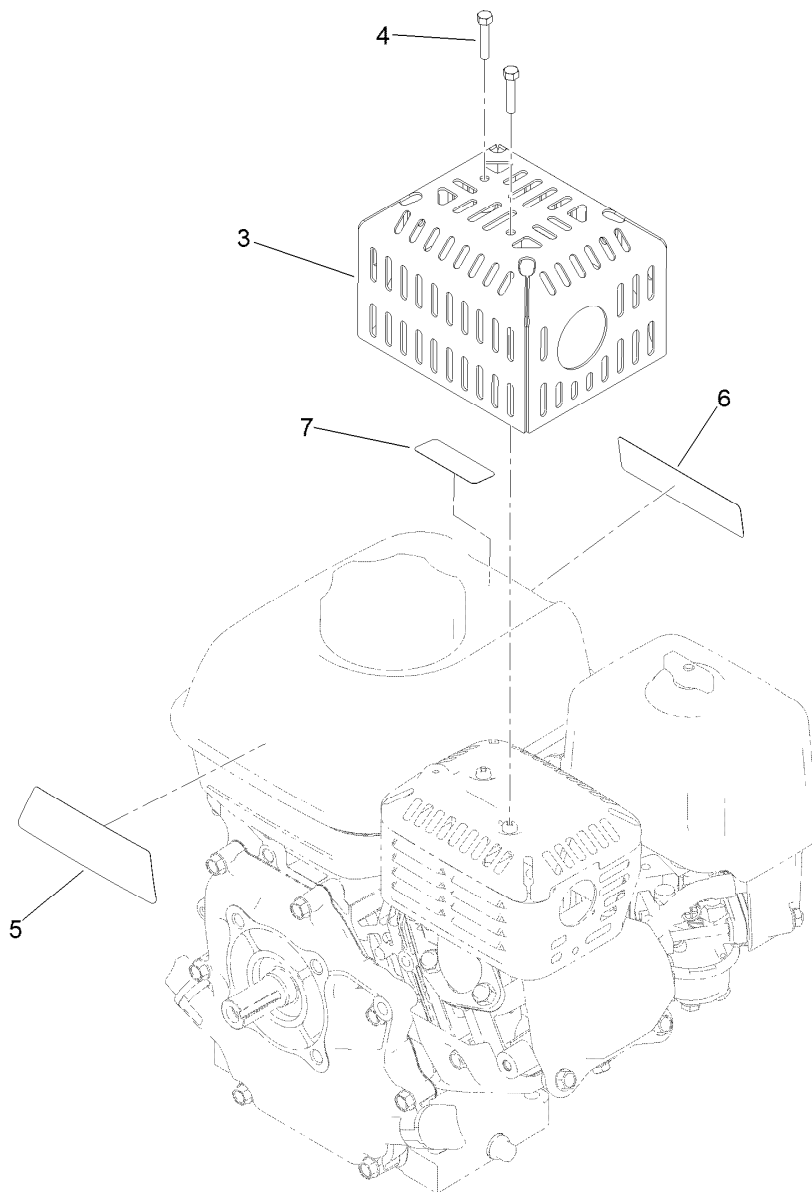
<i>Ref.</i>	<i>Part Number</i>	<i>Qty.</i>	<i>Description</i>
3	130-6840	6	Gear-Spur, Differential
4	137-0294	1	Gear-Differential, 127T
5	3274-26	6	Screw-HSH



Engine Assembly

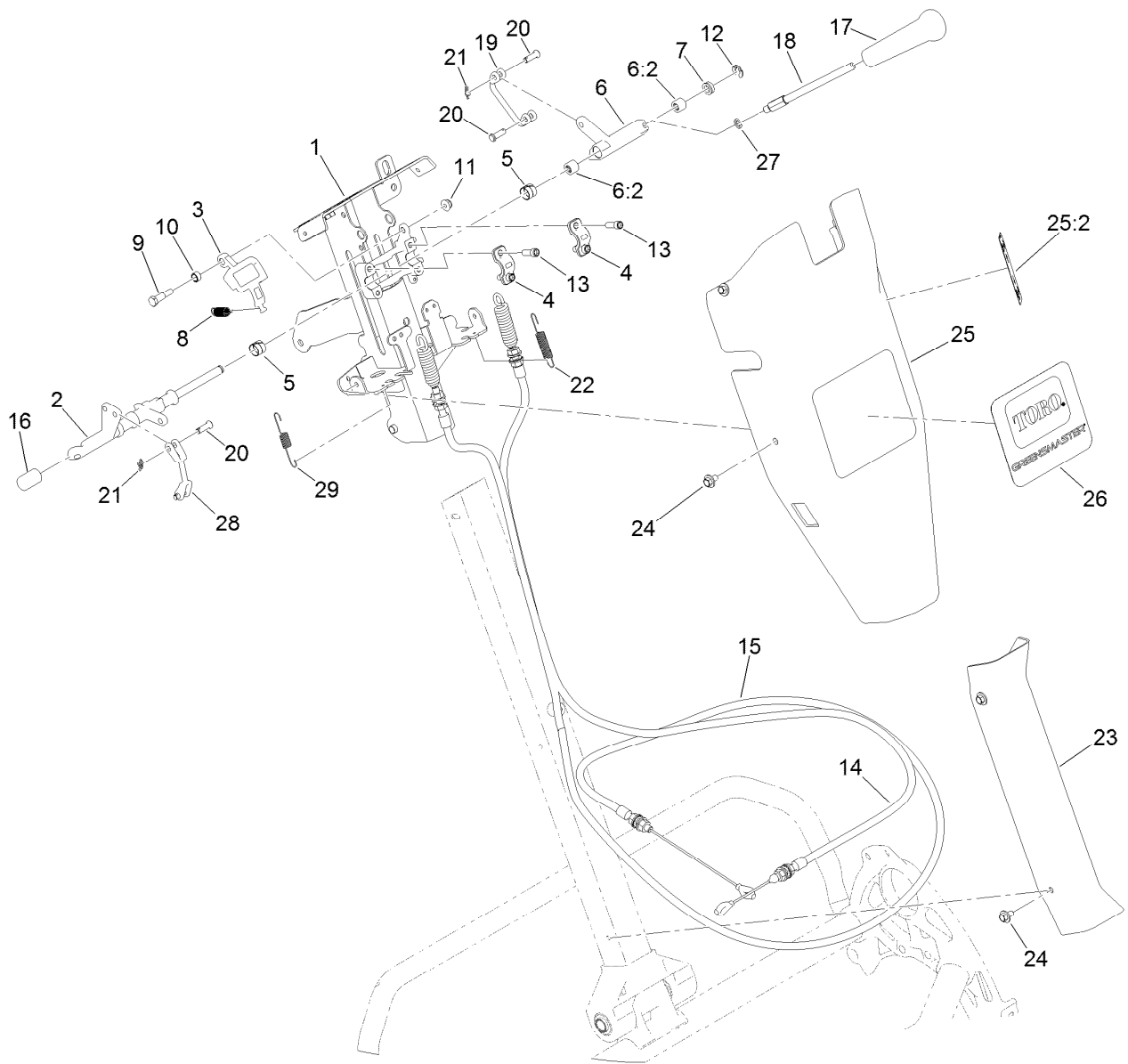
Ref.	Part Number	Qty.	Description	Ref.	Part Number	Qty.	Description
2	3256-24	2	Washer-Flat	21	133-9226	2	Bushing-Straight
3	138-1623-01	1	Bracket-Mount, Engine	22	138-1524	1	Lever-Reel
4	119-4042	2	Nut-HF, NI	23	133-9206	1	Bellcrank-Reel
5	137-0301	2	Clamp-Tube	24	125-5239	1	Bushing-Flange
6	119-4041	9	Nut-HF	25	115-5142	1	Screw-HHF
7	116-5611	3	Bolt-CARR	26	137-0298	1	Shaft-Selector, Reel
8	32128-10	3	Nut-Lock, HHF	27	137-0299	1	Hub-Selector, Reel
9	138-2142	1	Engine ASM ●	28	117-1031	1	Spring-Compression
10	3230-6	4	Bolt-CARR	29	112-6913	1	Screw-HHF
11	3256-23	8	Washer-Plain	30	32151-47	1	Ring-Retaining
13	131-5919	4	Screw-HH, Patch	33	323-30	1	Screw-HH
14	138-1591	1	Guide-Cable	34	119-4609	1	Spring-Extension
15	3234-33	1	Screw-HHF	35	139-4309	1	Guide-Cable
18	139-7362	3	Washer-Poly	36	3256-22	1	Washer-Flat
19	131-8573	1	Screw-HSH	37	3253-21	1	Washer-Lock
20	138-1523	1	Reel Lever				

● Obtain parts from www.honda-engines.com



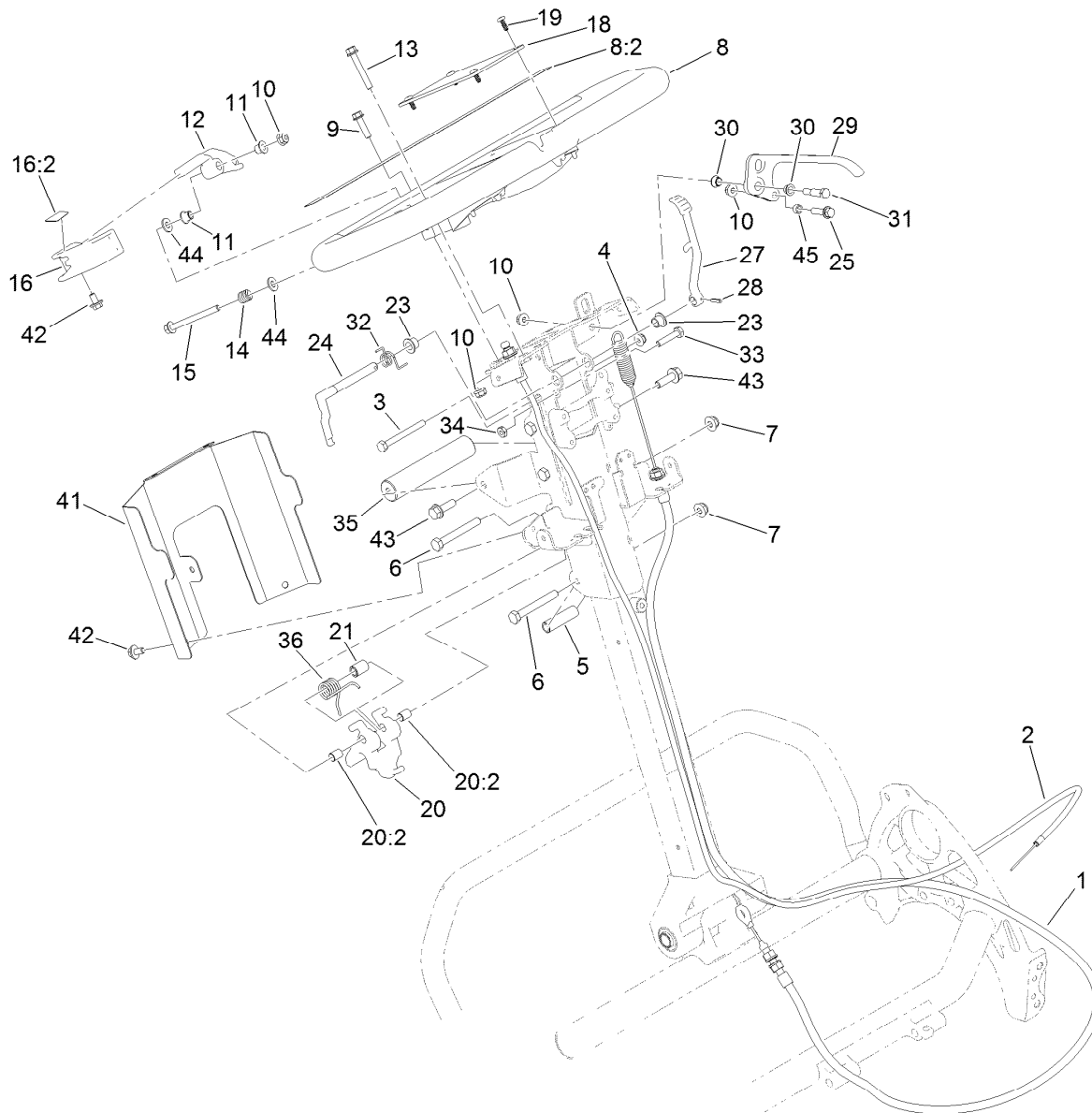
Engine Assembly No. 138-2142

<i>Ref.</i>	<i>Part Number</i>	<i>Qty.</i>	<i>Description</i>
3	138-2128-03	1	Guard-Muffler
4	87-5150	2	Screw-HH
5	138-2138	1	Decal-Warning, Engine
6	133-8062	1	Decal-Arrestor, Spark
7	130-8322	1	Decal-Warning, Ethanol



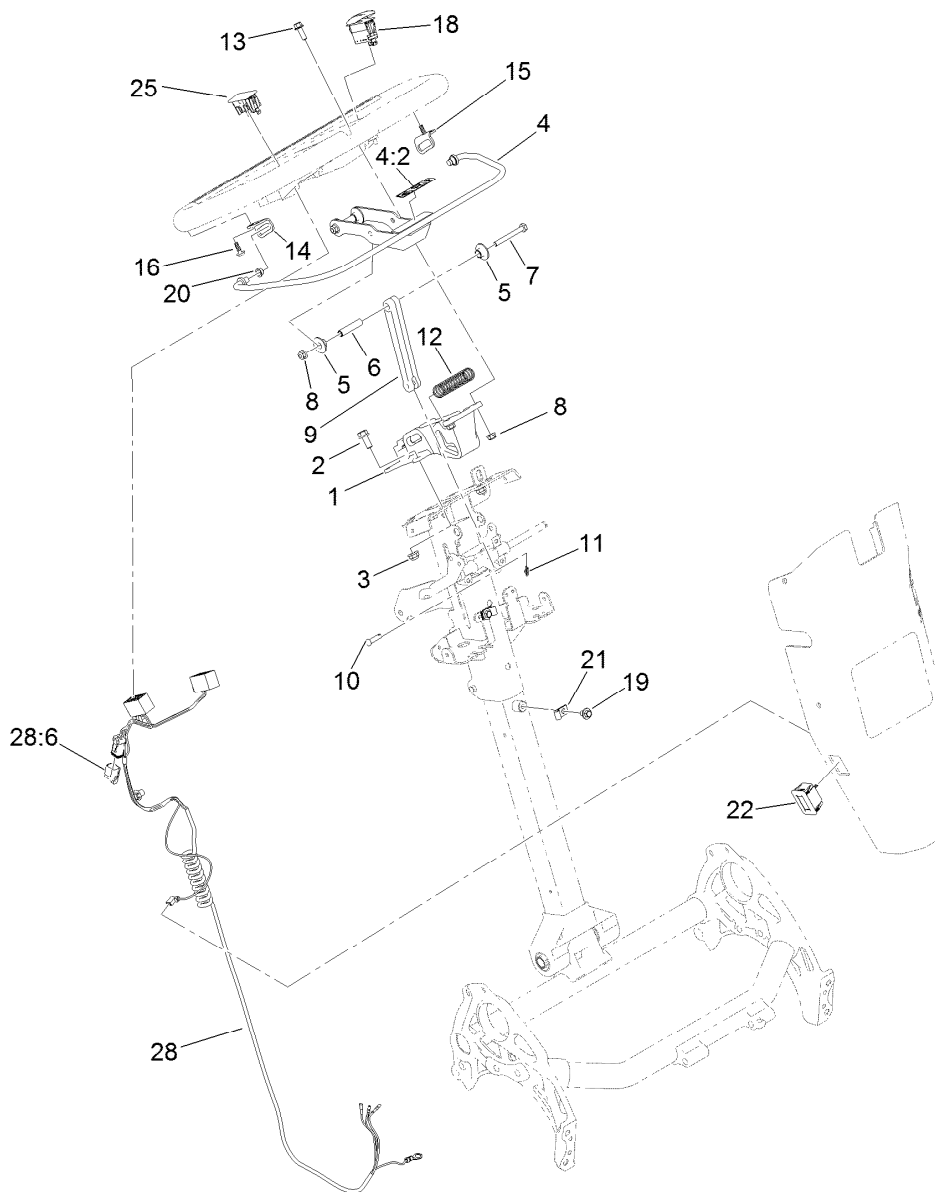
Reel Controls and Covers Assembly

Ref.	Part Number	Qty.	Description	Ref.	Part Number	Qty.	Description
1	139-5191-0P	1	Receiver-Upper	16	138-1641	1	Stockcap
2	137-0264	1	Shaft-Main, Controls	17	104-9760	1	Knob-Black
3	137-0266	1	Cam-Latch, Upper	18	137-0190	1	Rod-Handle, Reel Lever
4	138-1513	2	Clamp-Shaft, Control	19	137-0232	1	Connector-Clevis
5	137-0263	2	Bushing-Split	20	1-808265	4	Pin-Clevis
6	137-0312	1	Reel Lever ASM	21	138-1587	2	Clip-Pin, Cotter
6:2	138-1637	2	Bearing-Needle	22	138-1536	1	Spring-Extension
7	131-3187	1	Seal-V-Ring	23	138-1479	1	Cover-Handle, Lower
8	140-3410	1	Spring-Extension	24	46-6810	8	Screw And Washer ASM
9	137-0313	1	Screw-Shoulder	25	139-4304	1	Control Upper Cover ASM
10	137-0346	1	Spacer-Latch, Bail	25:2	138-1589	1	Decal-Reel Drive Engagement
11	104-7201	1	Nut-HF	26	138-1581	1	Decal-Greensmaster 1026
12	32151-47	1	Ring-Retaining	27	75-5470	1	Spacer-Bearing
13	3274-8	4	Screw-HSH	28	138-1592	1	Connector-Clevis
14	137-0180	1	Cable-Clutch	29	140-3417	1	Spring-Extension
15	137-0181	1	Cable-Traction				



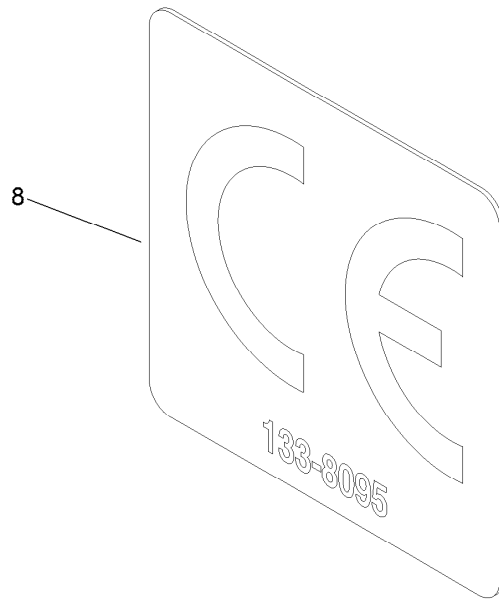
Upper Handle Assembly

Ref.	Part Number	Qty.	Description	Ref.	Part Number	Qty.	Description
1	137-0183	1	Cable-Brake	20:2	137-0308	2	Bushing-Igus
2	137-0182	1	Cable-Throttle	21	137-0318	1	Spacer-Spring
3	321-15	1	Screw-HH	23	138-1514	2	Bushing-Flange
4	104-7201	1	Nut-HF	24	138-1573	1	Latch-Brake
5	137-0243	3	Spacer	25	119-1066	1	Screw-HF
6	322-12	4	Screw-HH	27	138-1574	1	Lever-Lock, Brake
7	119-4041	4	Nut-HF	28	32121-73	1	Pin-Roll
8	138-1645	1	Handle ASM	29	138-5505	1	Lever
8:2	138-5532	1	Decal-Warning, General	30	138-5538	2	Bushing-Flange
9	120-4654	2	Screw-HHF	31	138-1559	1	Screw-Shoulder
10	119-4040	5	Nut-Flange, NI	32	138-1518	1	Spring-Brake, Torsion
11	138-3538	2	Bushing-Flange	33	114-0282	1	Screw-HH
12	138-1636	1	Arm-Throttle	34	120-9695	1	Nut-Jam
13	138-5527	1	Screw-HHF	35	138-1535	1	Handle-Assist, Lift
14	3-5787	1	Spring-Compression	36	138-1481	1	Spring-Handle, Torsion
15	114-8410	1	Screw-HHF	41	138-5530-03	1	Cover-Bottom, Controls
16	139-4303	1	Throttle Lever ASM	42	46-6810	3	Screw And Washer ASM
16:2	138-5534	1	Decal-Throttle	43	115-5142	2	Screw-HHF
18	138-5514	1	Plate-Notepad, Handle	44	3256-22	2	Washer-Flat
19	127-6843	4	Screw-Plastite, Torx Pan	45	120-6564	1	Spacer
20	137-0317	1	Handle Adjuster ASM				



Traction Bail Assembly

<i>Ref.</i>	<i>Part Number</i>	<i>Qty.</i>	<i>Description</i>	<i>Ref.</i>	<i>Part Number</i>	<i>Qty.</i>	<i>Description</i>
1	138-5524	1	Mount-Handle	13	120-9678	2	Screw-HHF
2	3234-47	2	Screw-HHF	14	138-3539	1	Bracket-Bail, RH
3	119-4041	2	Nut-HF	15	138-3540	1	Bracket-Bail, LH
4	139-4302	1	Clutch Bail ASM	16	138-5775	2	Screw-Delta Point
4:2	138-5533	1	Decal-Bail, Traction	18	122-1497	1	Switch-Rocker, On-None-Off
5	138-3466	4	Bushing-Flange	19	46-6810	2	Screw And Washer ASM
6	138-3465	2	Spacer-Tube	20	138-5538	2	Bushing-Flange
7	321-18	2	Screw-HH	21	2412-72	2	Clip-Closed, Insulated
8	119-4040	4	Nut-Flange, NI	22	119-1347	1	Meter-Hour
9	138-5515	1	Link-Bail, Clutch	25	119-7791	1	Plug-Hole, Carling
10	353-322	1	Pin-Clevis	28	122-1416	1	Harness-Wire
11	138-1587	1	Clip-Pin, Cotter	28:6	32180-091	1	Cap-Dust, 2 Way
12	138-3468	1	Spring-Compression				



CE Decal

<i>Ref.</i>	<i>Part Number</i>	<i>Qty.</i>	<i>Description</i>
8	133-8095	1	Decal-CE

Attachments and Accessories

For 04840 Greensmaster 1026 Mower

Product Name	Model/Part
Wheel Kit	04123
Split Full 26in Roller	04127
Light Kit (2019+)	04135
Split Wiehle 26in Roller.....	04137
26in Extended Wiehle Roller (2019+)	04146
Trans Pro 80 Tow-Behind Trailer.....	04238
Trans Pro 100 Tow-Behind Trailer.....	04240
Flat Ramp	04245
Rail Ramp Kit (Update).....	04247
26in Stiff Grooming Brush.....	04276
Turf Evaluator	04399
Universal Groomer Drive	04707
Backlap Kit.....	04800
26in Twin Tip Groomer Reel	04803
26in Interlace Narrow Wiehle Roller Asm.....	04806
26in Full Front Roller Asm	04816
26in Wide Wiehle Roller Asm	04826
8-Blade 26in Fixed EDGESERIES CU.....	04842
11-Blade 26in Fixed EDGESERIES CU.....	04843
Bedknife-Highcut	104-2646
Bedknife-Fairway.....	107-8181
Bedknife-Micro-Cut.....	112-9275
Roller Extension Kit	115-7361
Bedknife-EDGEMAX, Tournament Cut	117-1548
MVP Kit-Cutting Unit Re-Build	121-2637
Premium Engine Oil 10w30 (55 Gallon Drum)	121-6392
Premium Engine Oil 10w30 (5 Gallon Pail)	121-6393
Toro Reel Paper (10 Pack).....	125-5610
Toro Reel Shim (0.002in)	125-5611
26in Stiff Grooming Brush Kit.....	127-1549
Angle Indicator.....	131-6828
Angle Indicator Mount.....	131-6829
Blade-Groomer, Universal Harden Blade (Thin)	132-4626
Grease-Synthetic.....	136-8595
Bedbar-26in	138-1522-01
Bedknife-EDGEMAX, 26in Microcut Short	139-4322
Bedknife-EDGEMAX, 26in Tournament Short.....	139-4323
Bedknife-EDGEMAX, 26in Microcut	139-4324
Traction Lever Kit.....	139-4330
Access Backlap Kit	139-4342
Wireless Hour Meter Kit	139-4369
26in Interlaced Roller Scraper Asm	139-4394
26in Full Roller Scraper Asm	139-4398
26in Smooth Roller Scraper Brush Asm.....	139-5117
26in Interlaced Roller Scraper Brush Asm	139-5125
26in Wide Wiehle Roller Scraper Asm	139-7406

Attachments and Accessories (continued)

Wide Wiehle Roller Scraper Brush Asm.....	139-7410
Bedknife-1/8in.....	93-9015
Bedknife-Tournament Cut.....	94-5885
Height-of-Cut Bar.....	94-9010
Extended HOC Arm.....	99-4286



Count on it.