



**Count on it.**

**Parts Catalog**

**Greensmaster® 1018**

**Mower**

Model No. 04820—Serial No. 40000000 and Up



# Ordering Replacement Parts

To order replacement parts, please supply the part number, the quantity, and the description of each part desired.

## Understanding Reference Numbers

Each identified part in an illustration has a reference number. The reference number for a part also appears in the parts list, along with other information about the part.

This catalog uses two special reference number formats, one to indicate parts in a service assembly and another to indicate the quantity of a given part in an illustration.

## Service Assembly Reference Numbers

Parts in service assemblies have reference numbers in the form a:b. The a represents the reference number of the entire service assembly and the b represents a sequential number unique to each part within the service assembly.

For example, a wheel assembly might be identified by reference number 6, the tire by 6:1, the valve by 6:2, and the wheel by 6:3. When you order the assembly identified by reference number 6, you receive all parts identified by reference numbers 6:1, 6:2, and 6:3. However, you may also order any part individually. Reference numbers of this type appear in illustration and in parts lists.

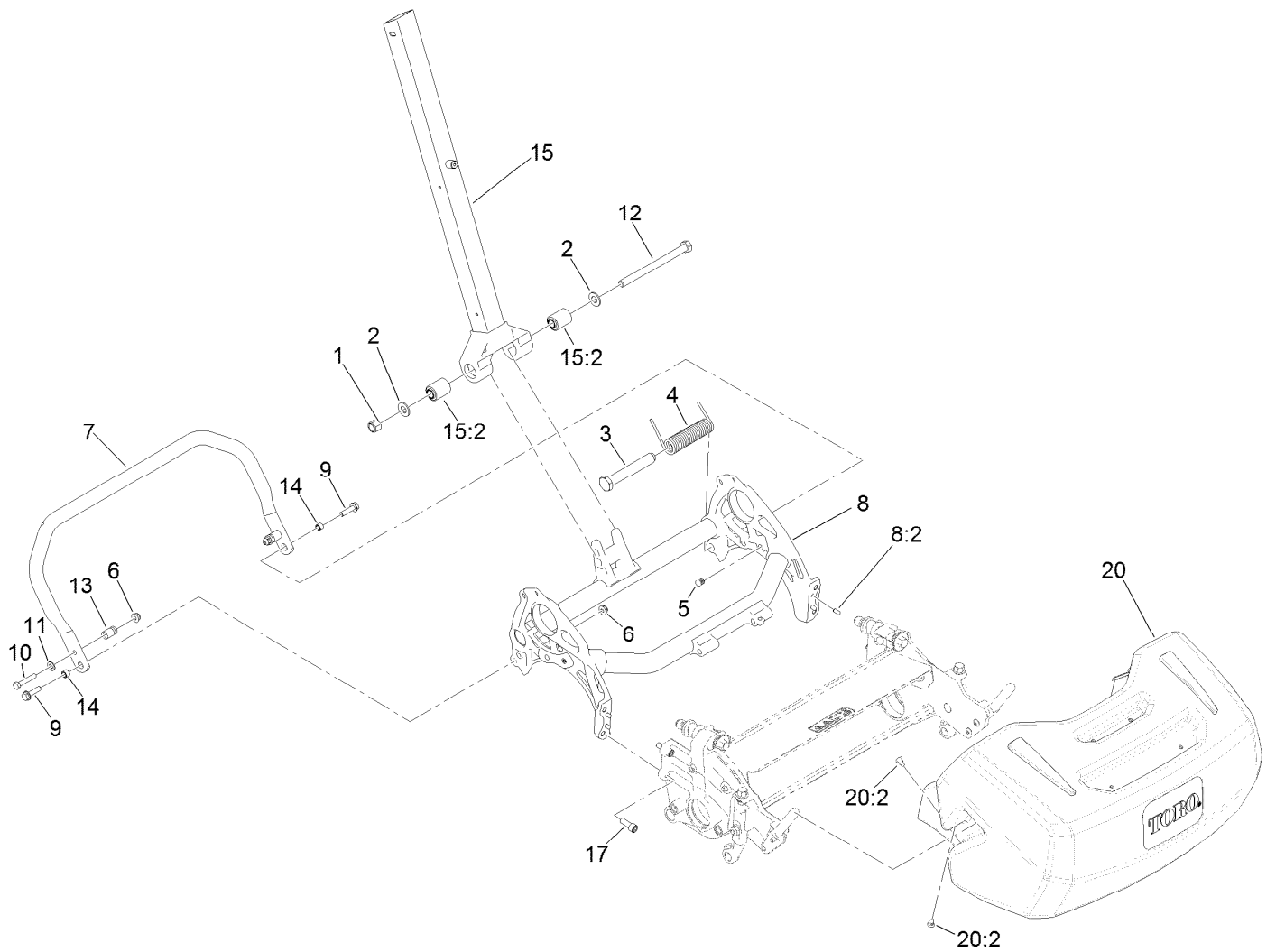
## Reference Numbers Indicating Quantity

In an illustration, if a reference number indicates more than one part, the reference number has the form nX y. The n represents the quantity of the part, the X is the multiplication symbol, and the y represents the reference number.

For example, in an illustration, the reference number 2X 37 means that two of the parts identified by reference number 37 are indicated.

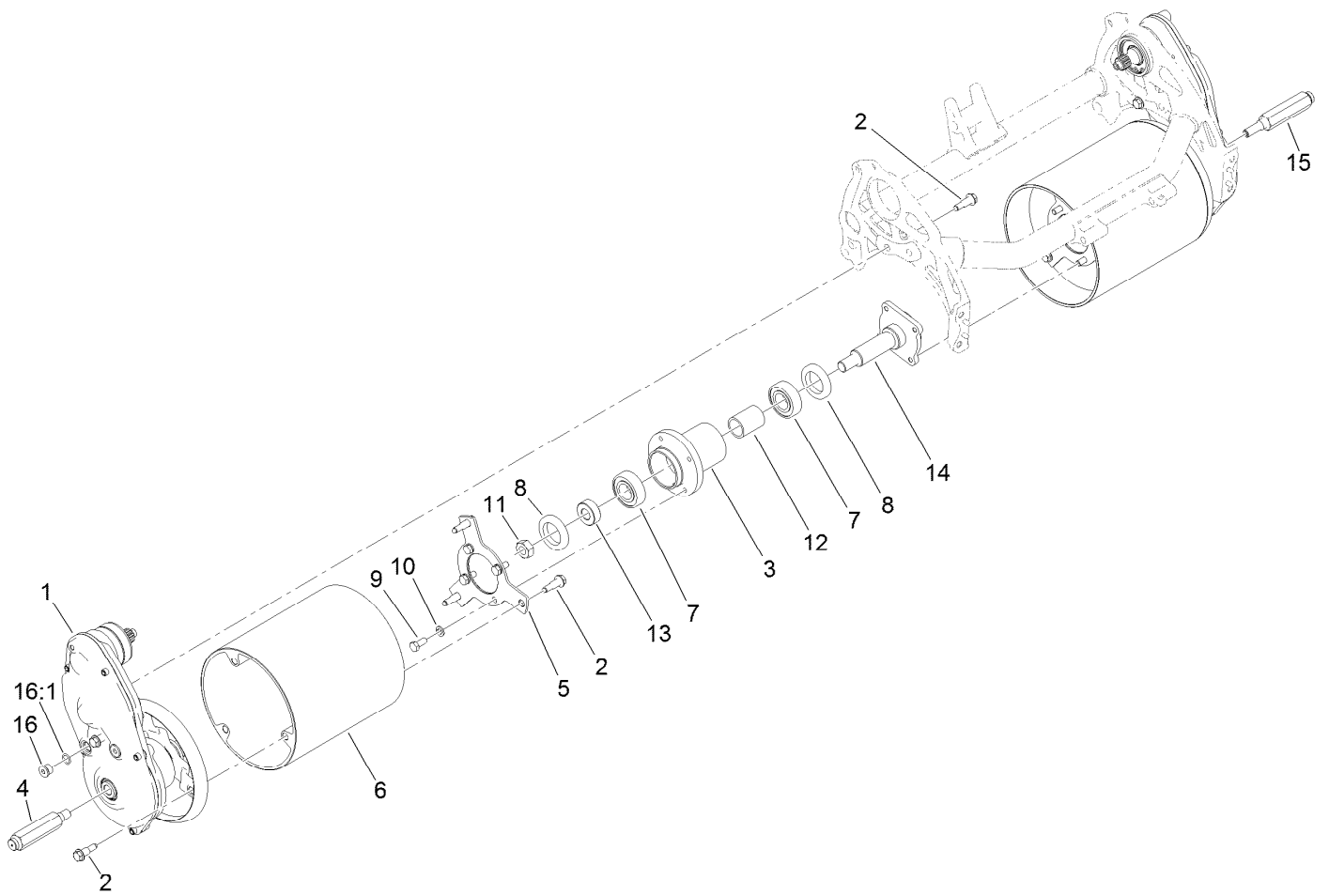
# Contents

Frame and Handle Mount Assembly .....	4
Drum Drive Assembly .....	5
Drum Drive Gearbox Assembly No. 132-4566 .....	6
Transmission Assembly .....	7
Transmission Gearbox Assembly No. 130-6820 Transmission Case Assembly .....	8
Transmission Gearbox Assembly No. 130-6820 Reel Drive Assembly .....	9
Transmission Gearbox Assembly No. 130-6820 Traction Drive Assembly .....	10
Differential Assembly No. 132-4555 .....	11
Engine Assembly .....	12
Engine Assembly No. 138-2142 .....	13
Reel Controls and Covers Assembly .....	14
Upper Handle Assembly .....	15
Traction Bail Assembly .....	16
CE Decal .....	17
Attachments and Accessories .....	18



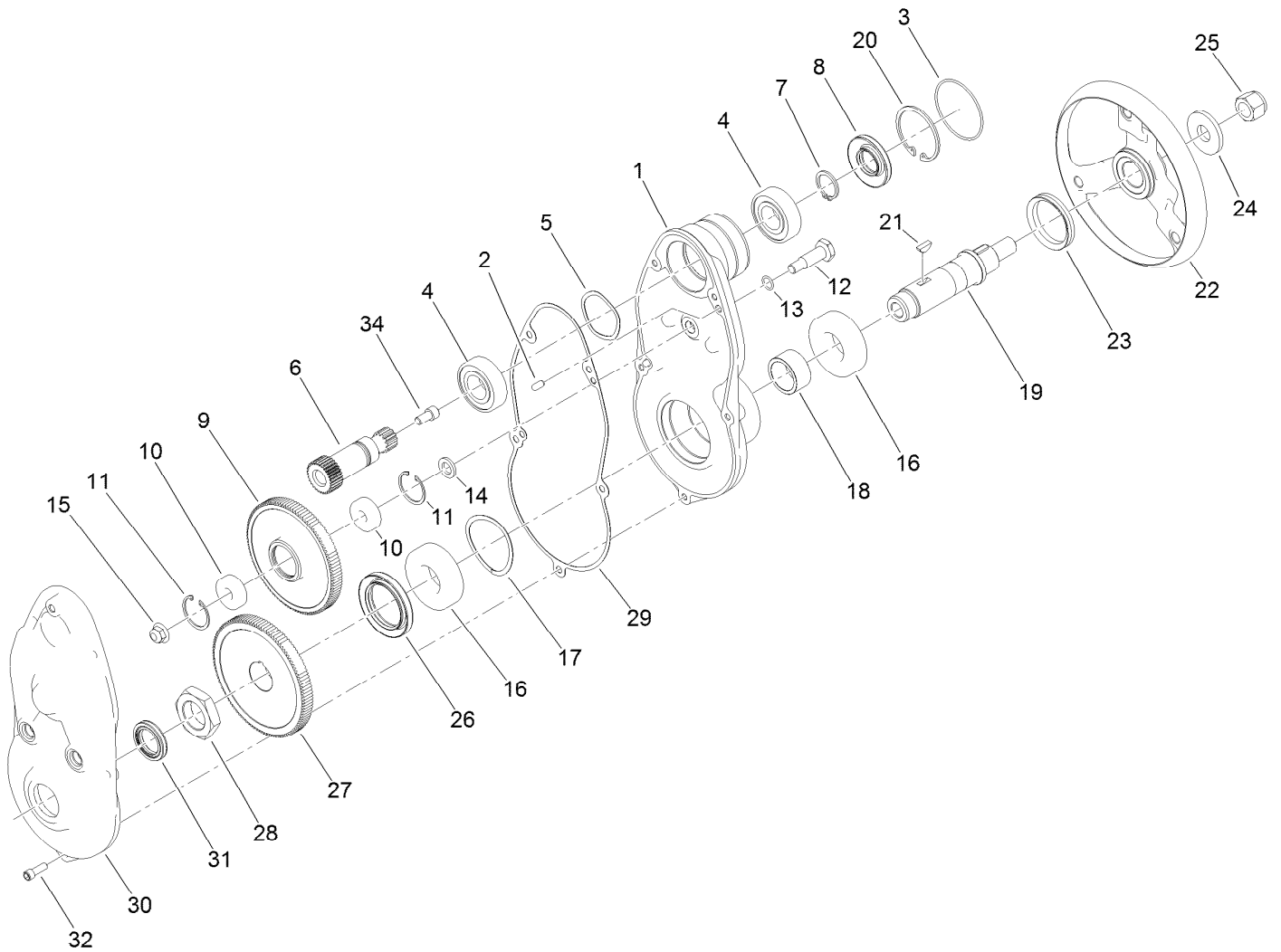
## Frame and Handle Mount Assembly

Ref.	Part Number	Qty.	Description	Ref.	Part Number	Qty.	Description
1	3296-23	1	Nut-Lock, NI	10	322-9	2	Screw-HH
2	3256-26	2	Washer-Flat	11	3256-23	2	Washer-Plain
3	138-1510	1	Pin-Mount, Spring	12	325-33	1	Screw-HH
4	138-1459	1	Spring-Torsion, LH	13	65-7900	2	Retainer-Spring
5	139-4326	2	Plug-Plastic	14	65-7910	2	Spacer
6	119-4041	3	Nut-HF	15	137-0292	1	Lower Handle ASM
7	138-1576-03	1	Kickstand-18 Inch	15:2	138-1469	2	Bushing-Straight
8	138-1646	1	18 Inch Frame ASM	17	3274-7	4	Screw-HSH
8:2	95-0715	4	Pin-Dowel	20	140-9292	1	Basket-Grass
9	112-6913	2	Screw-HHF	20:2	121-4729	4	Plug



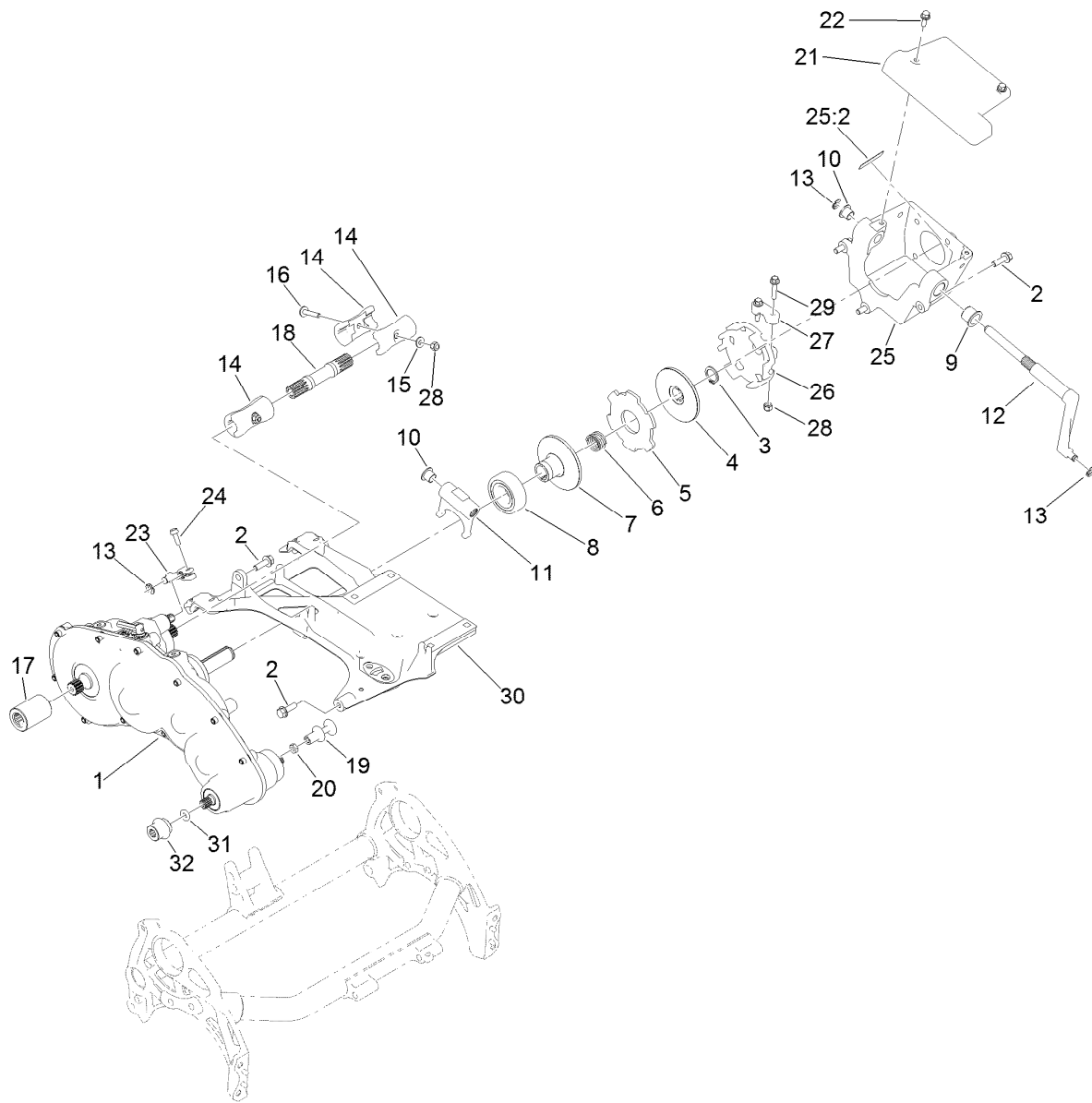
## Drum Drive Assembly

<i>Ref.</i>	<i>Part Number</i>	<i>Qty.</i>	<i>Description</i>	<i>Ref.</i>	<i>Part Number</i>	<i>Qty.</i>	<i>Description</i>
1	132-4566	2	Drum Drive Gear Box ASM	10	3253-4	8	Washer-Lock
2	132-4607	14	Bolt-Shoulder, Flange	11	3296-33	1	Nut-Lock, NI
3	132-6971	1	Hub-Drum	12	65-6520	1	Spacer
4	132-4605	1	Shaft-Hex, RH	13	65-6530	1	Spacer
5	133-9240-0P	2	Plate-Drum, Hub	14	94-5850	1	Spindle-Drum
6	138-1527	2	Drum-Traction, 18 Inch	15	132-4606	1	Shaft-Hex, LH
7	251-82	2	Bearing-Ball	16	353-989	4	Plug-Hex, Hollow
8	253-159	2	Seal	16:1	237-42	1	O-Ring
9	322-3	8	Screw-HH				



## Drum Drive Gearbox Assembly No. 132-4566

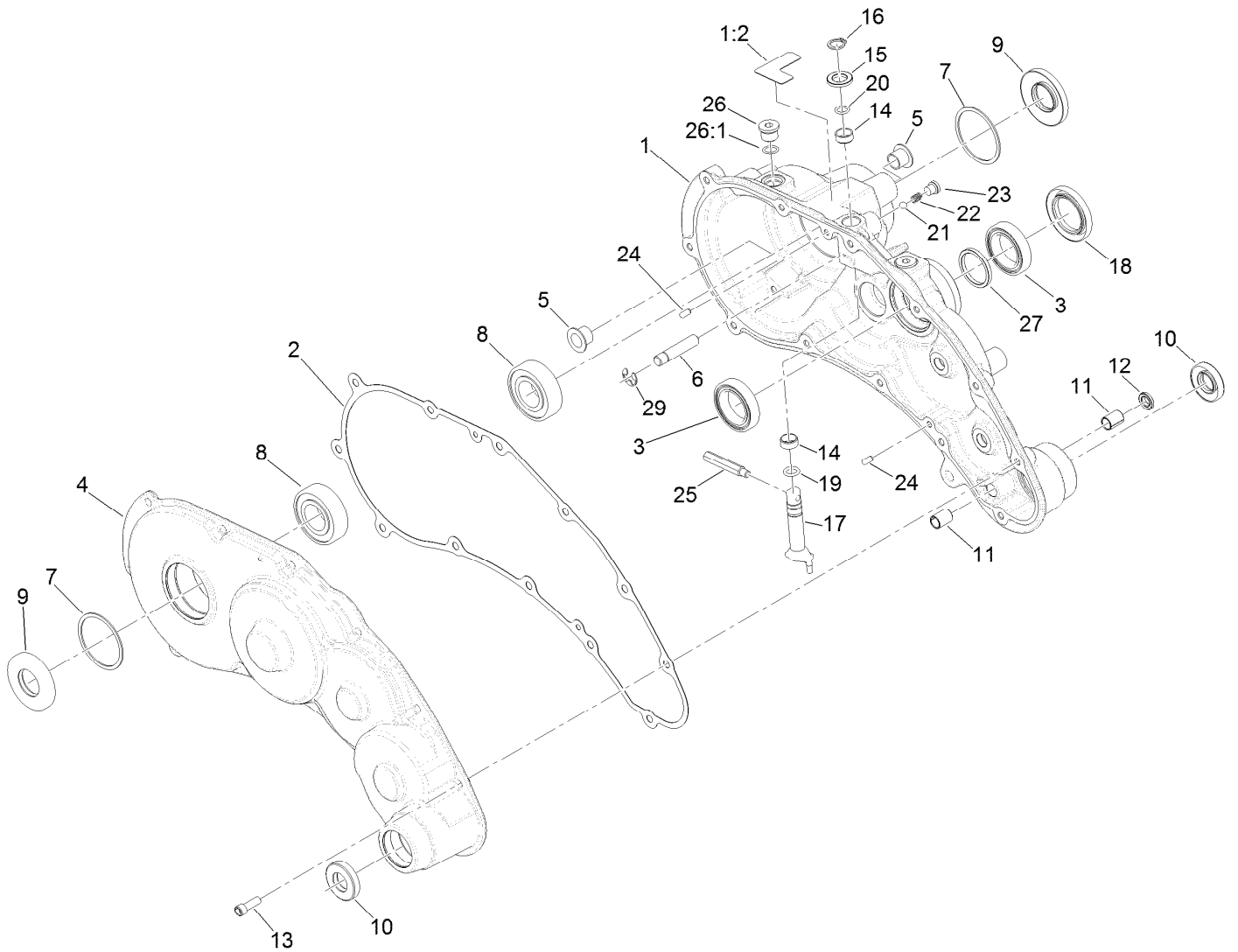
<i>Ref.</i>	<i>Part Number</i>	<i>Qty.</i>	<i>Description</i>	<i>Ref.</i>	<i>Part Number</i>	<i>Qty.</i>	<i>Description</i>
1	137-0282	1	Housing-Drive, Drum	17	115-5258	1	Spring-Wire, Flat
2	133-4591	2	Pin-Dowel	18	132-4568	1	Spacer
3	133-9082	1	O-Ring	19	133-4562	1	Shaft-Drum, Drive
4	251-82	2	Bearing-Ball	20	138-1480	1	Ring-Retaining, Int (52Mm)
5	3290-485	1	Washer-Wave	21	138-1504	2	Key-Woodruff, 5Mm
6	132-4565	1	Gear-Spur, 30T	22	133-9244	1	Hub-Drum, Outer
7	138-1507	1	Ring-Retaining, EXT (25Mm)	23	253-161	1	Seal-V-Ring
8	138-1491	1	Seal-Oil	24	104-9216	1	Washer-Hardened
9	137-0274	1	Gear-Spur, 108T	25	126-3841	1	Nut-Hex, NI
10	49-2410	2	Bearing-Ball	26	138-1490	1	Seal-Oil
11	138-1506	2	Ring-Retaining, Int (32Mm)	27	137-0275	1	Gear-Spur, 114T
12	133-4558	1	Pin-Bearing, Short	28	133-9078	1	Nut-Hex
13	80-8460	1	O-Ring	29	132-4569	1	Gasket-Drive, Drum
14	133-4553	1	Spacer-Bearing	30	137-0284	1	Cover-Drive, Drum
15	119-4042	1	Nut-HF, NI	31	133-4559	1	Seal-Oil
16	251-312	2	Bearing-Ball	32	3274-8	5	Screw-HSH
				34	3274-12	1	Screw-HSH



## Transmission Assembly

Ref.	Part Number	Qty.	Description
1	130-6820	1	Transmission Gear Box ASM
2	115-5142	5	Screw-HHF
3	32151-33	1	Ring-Retaining, EXT
4	133-9095	1	Disc-Clutch
5	133-9094	1	Plate-Friction
6	133-9123	1	Spring-Compression, Clutch
7	138-1508	1	Disc-Clutch, Slider
8	138-1505	1	Bearing-Sealed, Self Aligning
9	132-4089	1	Bushing
10	125-5239	2	Bushing-Flange
11	138-3548	1	Fork-Clutch
12	138-3549	1	Shaft-Fork
13	32151-47	3	Ring-Retaining
14	133-9100	4	Coupler-Splined, 4 Tooth
15	119-8952	2	Washer
16	126-8232	2	Screw-Truss

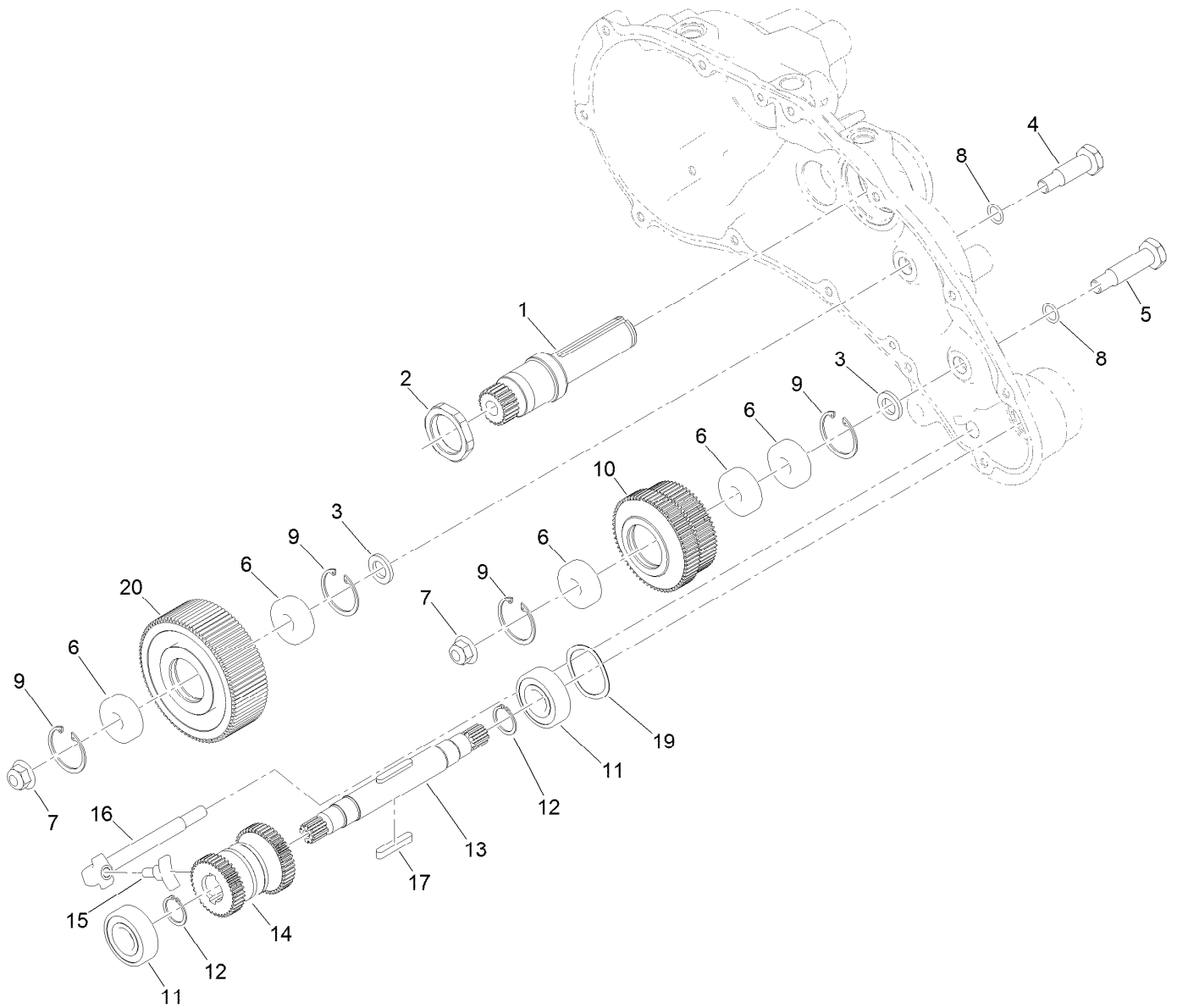
Ref.	Part Number	Qty.	Description
17	138-1615	1	Tube-Drive
18	139-4327	1	Shaft-Drive, 18 Inch
19	133-9207	1	Adapter-Slider
20	120-9638	1	Nut-Jam
21	138-5545	1	Cover-Clutch
22	120-9678	2	Screw-HHF
23	133-9117	1	Lever-Brake, Cable
24	131-6150	1	Screw-HWHTF
25	139-4301	1	Bell Housing ASM
25:2	120-9570	1	Decal-Warning
26	138-3542	1	Hub-Clutch, External
27	138-5522	1	Clamp-Hub, Clutch
28	3296-42	4	Nut-Lock, NI
29	127-8639	2	Screw-HHF
30	138-5517	1	Base-Engine
31	139-4357	1	O-Ring
32	139-4358	1	Coupling-Drive, Reel



## Transmission Gearbox Assembly No. 130-6820 Transmission Case Assembly

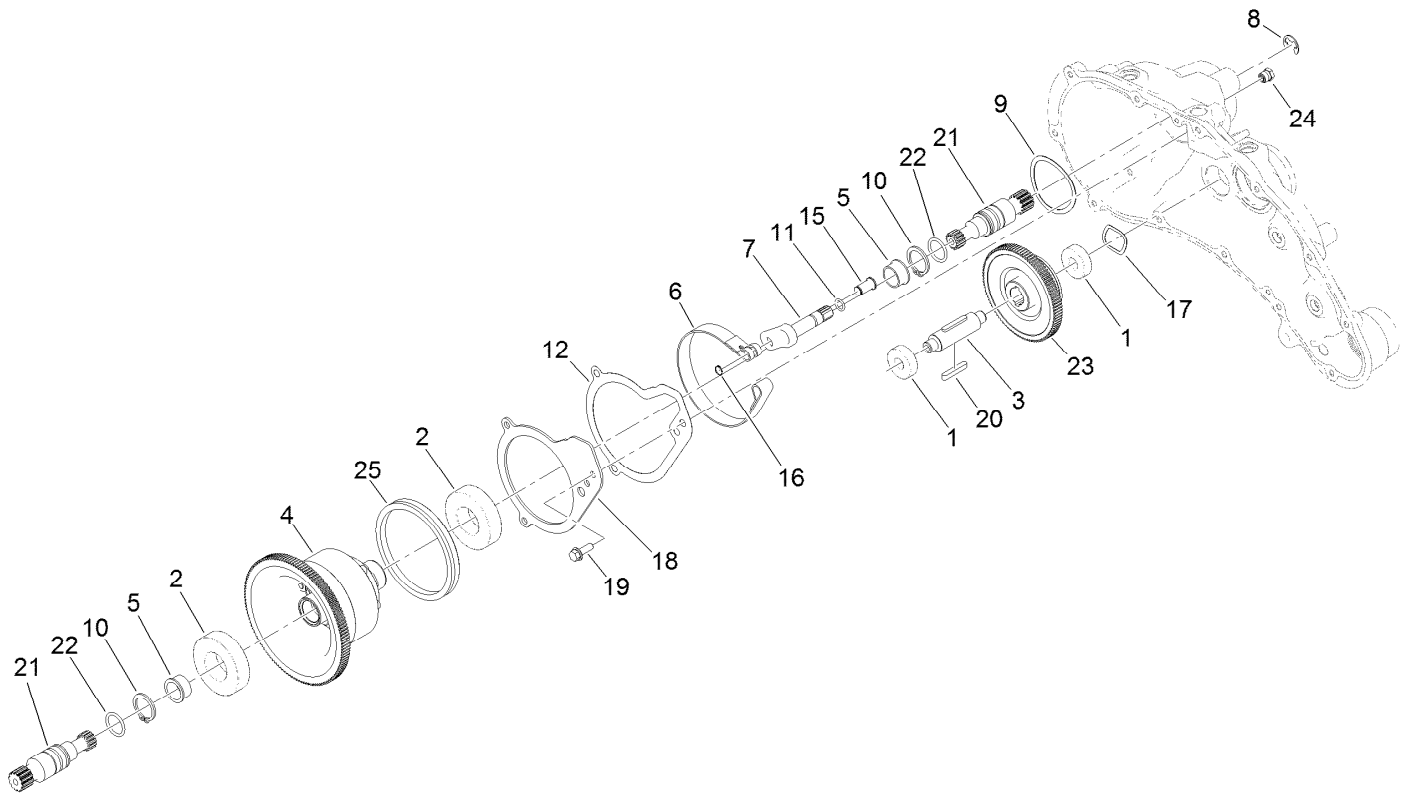
<i>Ref.</i>	<i>Part Number</i>	<i>Qty.</i>	<i>Description</i>	<i>Ref.</i>	<i>Part Number</i>	<i>Qty.</i>	<i>Description</i>
1	139-4306	1	Transmission Housing ASM	15	108-5059	1	Spacer-Bushing
1:2	138-1644	1	Decal-Release, Traction	16	32151-61	1	Ring-Retaining
2	132-4551	1	Gasket-Transmission	17	130-6816	1	Shaft-Selector, Traction
3	121-9281	2	Bearing-Ball	18	116-5647	1	Seal-Grease
4	138-1603	1	Transmission Cover ASM	19	131-1879	1	O-Ring Seal
5	125-5239	2	Bushing-Flange	20	237-22	1	O-Ring
6	133-9122	1	Pin-Mount, Brake	21	105-2442	1	Ball-Detent
7	32151-92	2	Ring-Retaining	22	105-2443	1	Spring-Detent
8	251-82	2	Bearing-Ball	23	131-1825	1	Plug-ORB
9	133-9075	2	Seal-Oil	24	121-9249	2	Pin-Dowel
10	130-9463	2	Seal-Oil	25	133-9149	1	Pin-Groomer
11	131-3038	2	Bushing-Sleeve	26	353-989	2	Plug-Hex, Hollow
12	131-3126	1	Seal-Oil	26:1	237-42	1	O-Ring
13	3274-8	12	Screw-HSH	27	138-1496	1	Spacer
14	121-4738	2	Bushing-Straight	29	105-7004	1	E-Ring





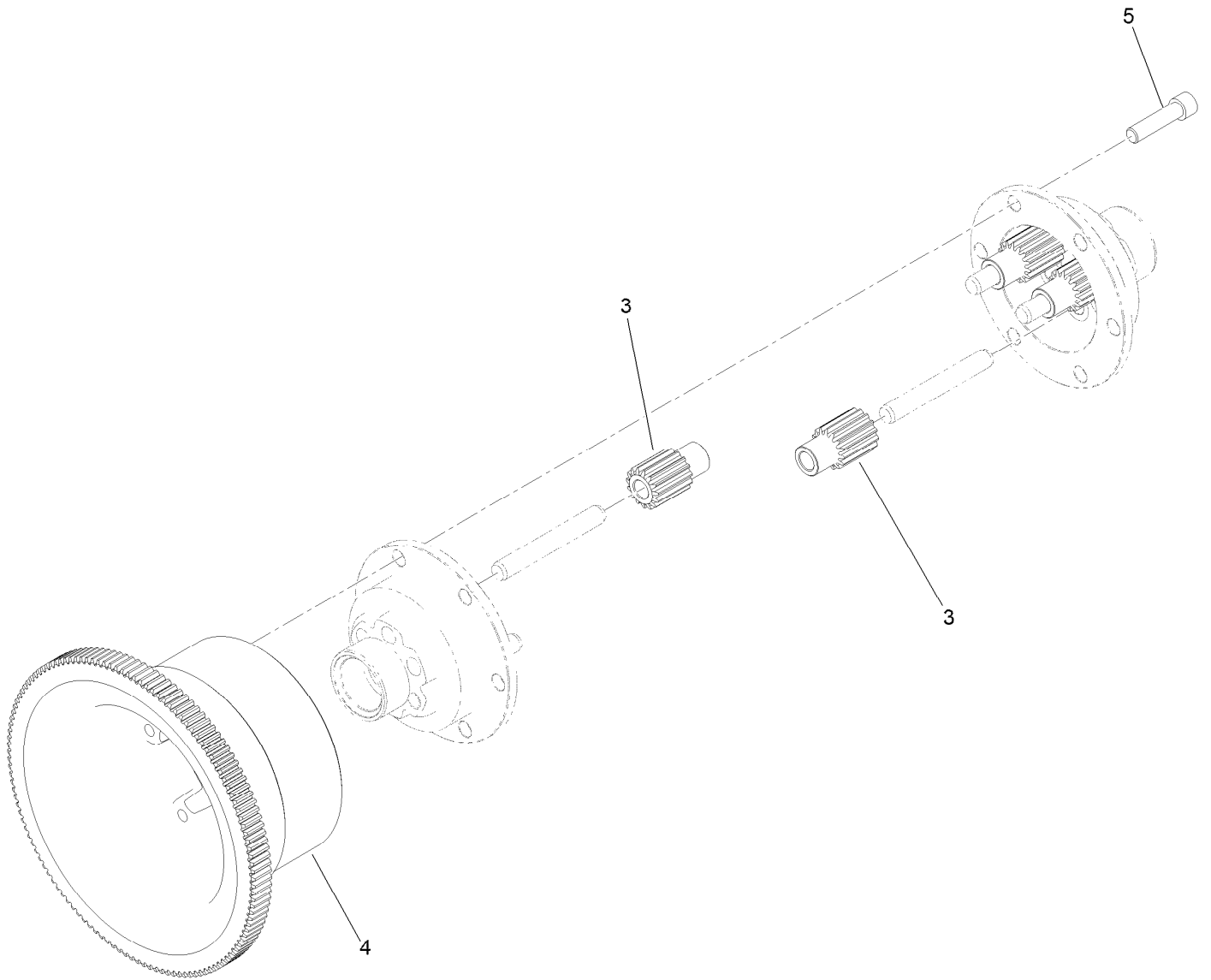
## Transmission Gearbox Assembly No. 130-6820 Reel Drive Assembly

<i>Ref.</i>	<i>Part Number</i>	<i>Qty.</i>	<i>Description</i>	<i>Ref.</i>	<i>Part Number</i>	<i>Qty.</i>	<i>Description</i>
1	138-1509	1	Shaft-Input, 22T	11	38-7820	2	Bearing-Ball
2	138-1495	1	Nut-Lock, Thin	12	138-1629	2	Ring-Retaining, EXT (17Mm)
3	133-4553	2	Spacer-Bearing	13	130-6825	1	Shaft-Drive, Reel
4	133-4558	1	Pin-Bearing, Short	14	130-6834	1	Gear-Spur, Slider
5	133-4557	1	Pin-Bearing, Long	15	133-9120	1	Shoe-Clutch, Reel
6	49-2410	5	Bearing-Ball	16	133-9121	1	Actuator-Clutch, Reel
7	104-8301	2	Nut-HF, NI	17	103-2739	2	Key
8	80-8460	2	O-Ring	19	131-3170	1	Spring-Wave
9	138-1506	4	Ring-Retaining, Int (32Mm)	20	137-0273	1	Gear-Spur, 85T
10	137-0272	1	Gear-Spur, 60T/65T				



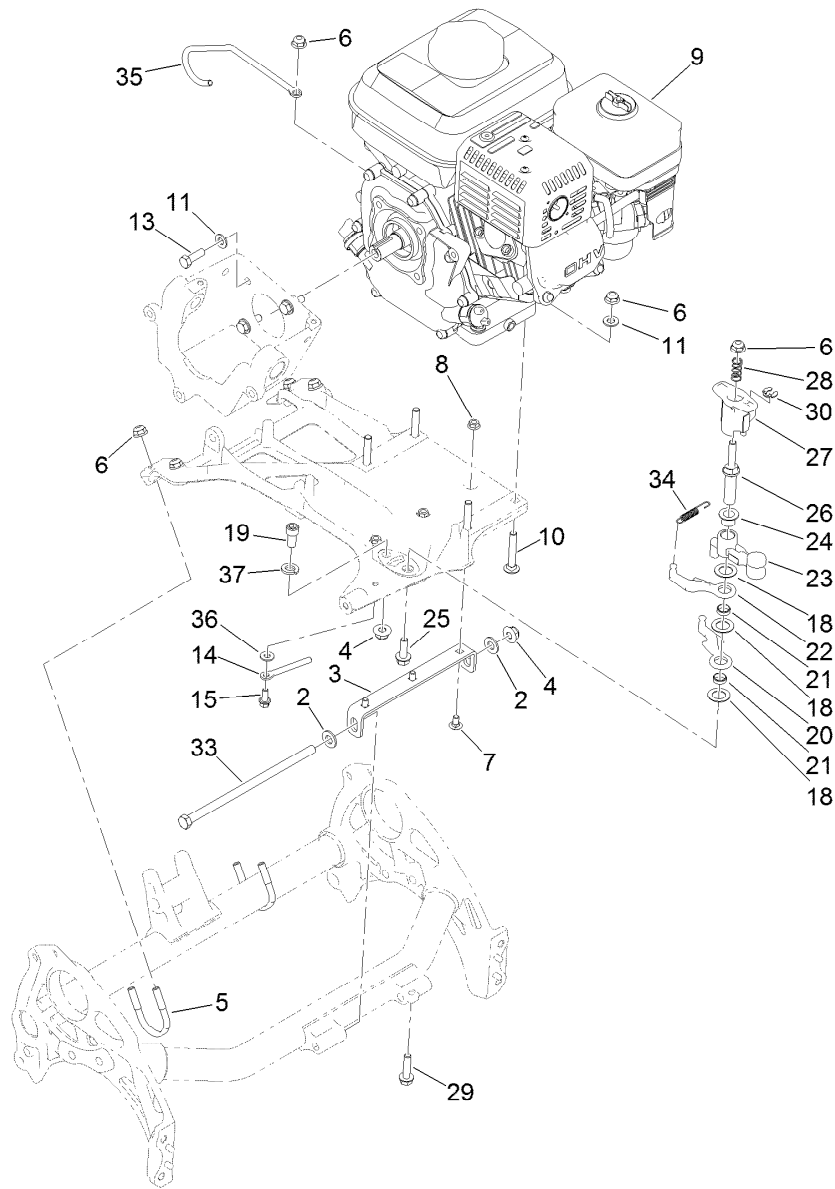
## Transmission Gearbox Assembly No. 130-6820 Traction Drive Assembly

<i>Ref.</i>	<i>Part Number</i>	<i>Qty.</i>	<i>Description</i>	<i>Ref.</i>	<i>Part Number</i>	<i>Qty.</i>	<i>Description</i>
1	49-2410	2	Bearing-Ball	15	120-9687	1	Pin-Clevis, Brake
2	251-312	2	Bearing-Ball	16	32120-46	1	Ring-Retaining
3	137-0236	1	Shaft-Slider, Neutral	17	112-5163	1	Washer-Wave
4	132-4555	1	Differential ASM	18	137-0238	1	Plate-Retainer
5	256-252	2	Bearing-Flange	19	119-1138	4	Screw-HWH
6	130-6824	1	Band-Brake	20	103-2739	2	Key
7	132-4550	1	Lever-Brake	21	130-6841	2	Shaft-Differential
8	32120-47	1	Ring-Retaining, External	22	237-159	2	O-Ring
9	115-5258	1	Spring-Wire, Flat	23	137-0276	1	Gear-Spur, Neutral (93T)
10	32151-36	2	Ring-Retaining	24	133-4589	1	Fitting-Plug
11	237-22	1	O-Ring	25	138-1472	1	V-Ring, Seal
12	138-1631	1	Gasket-Plate, Brake				



## Differential Assembly No. 132-4555

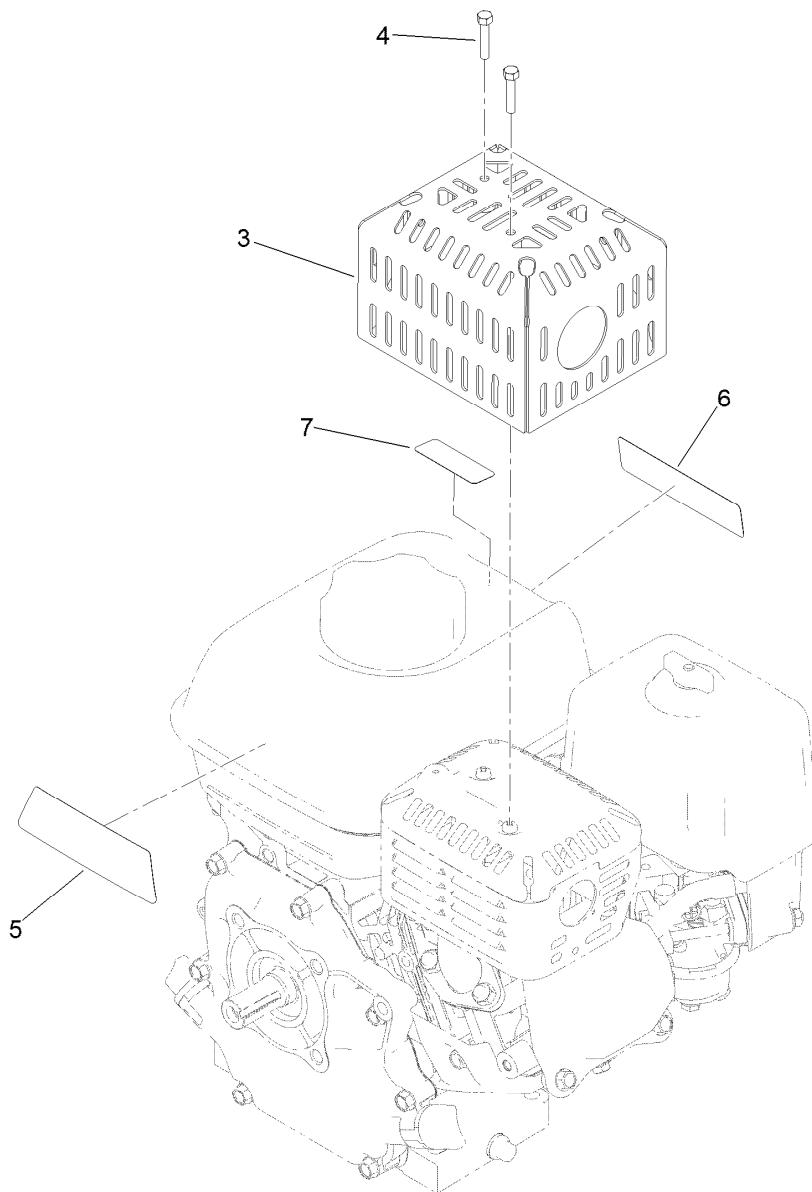
<i>Ref.</i>	<i>Part Number</i>	<i>Qty.</i>	<i>Description</i>
3	130-6840	6	Gear-Spur, Differential
4	137-0294	1	Gear-Differential, 127T
5	3274-26	6	Screw-HSH



## Engine Assembly

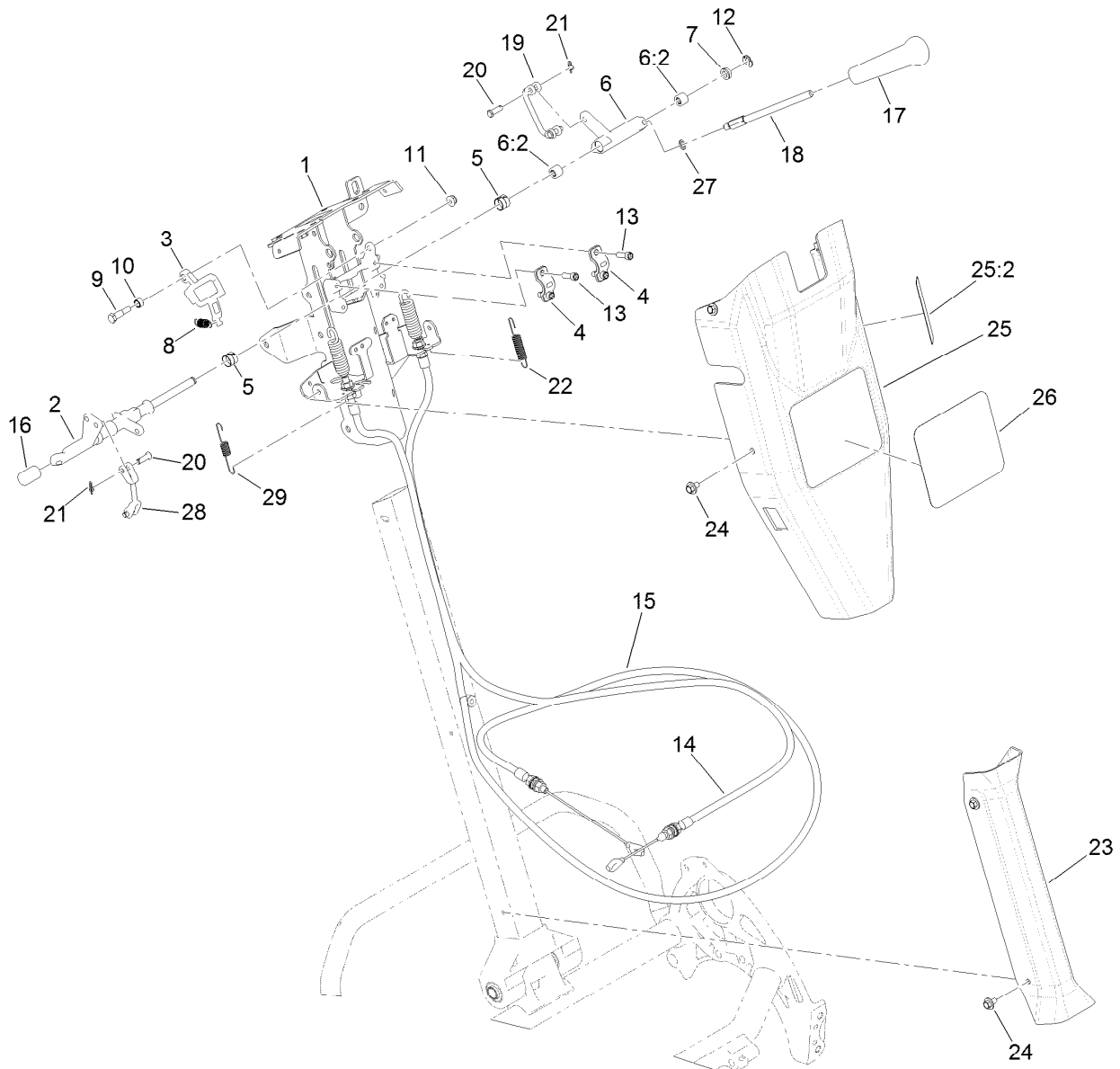
Ref.	Part Number	Qty.	Description	Ref.	Part Number	Qty.	Description
2	3256-24	2	Washer-Flat	21	133-9226	2	Bushing-Straight
3	138-1623-01	1	Bracket-Mount, Engine	22	138-1524	1	Lever-Reel
4	119-4042	2	Nut-HF, NI	23	133-9206	1	Bellcrank-Reel
5	137-0301	2	Clamp-Tube	24	125-5239	1	Bushing-Flange
6	119-4041	9	Nut-HF	25	115-5142	1	Screw-HHF
7	116-5611	3	Bolt-CARR	26	137-0298	1	Shaft-Selector, Reel
8	32128-10	3	Nut-Lock, HHF	27	137-0299	1	Hub-Selector, Reel
9	138-2142	1	Engine ASM ●	28	117-1031	1	Spring-Compression
10	3230-6	4	Bolt-CARR	29	112-6913	1	Screw-HHF
11	3256-23	8	Washer-Plain	30	32151-47	1	Ring-Retaining
13	131-5919	4	Screw-HH, Patch	33	323-30	1	Screw-HH
14	138-1591	1	Guide-Cable	34	119-4609	1	Spring-Extension
15	3234-33	1	Screw-HHF	35	139-4309	1	Guide-Cable
18	139-7362	3	Washer-Poly	36	3256-22	1	Washer-Flat
19	131-8573	1	Screw-HSH	37	3253-21	1	Washer-Lock
20	138-1523	1	Reel Lever				

● Obtain parts from [www.honda-engines.com](http://www.honda-engines.com)



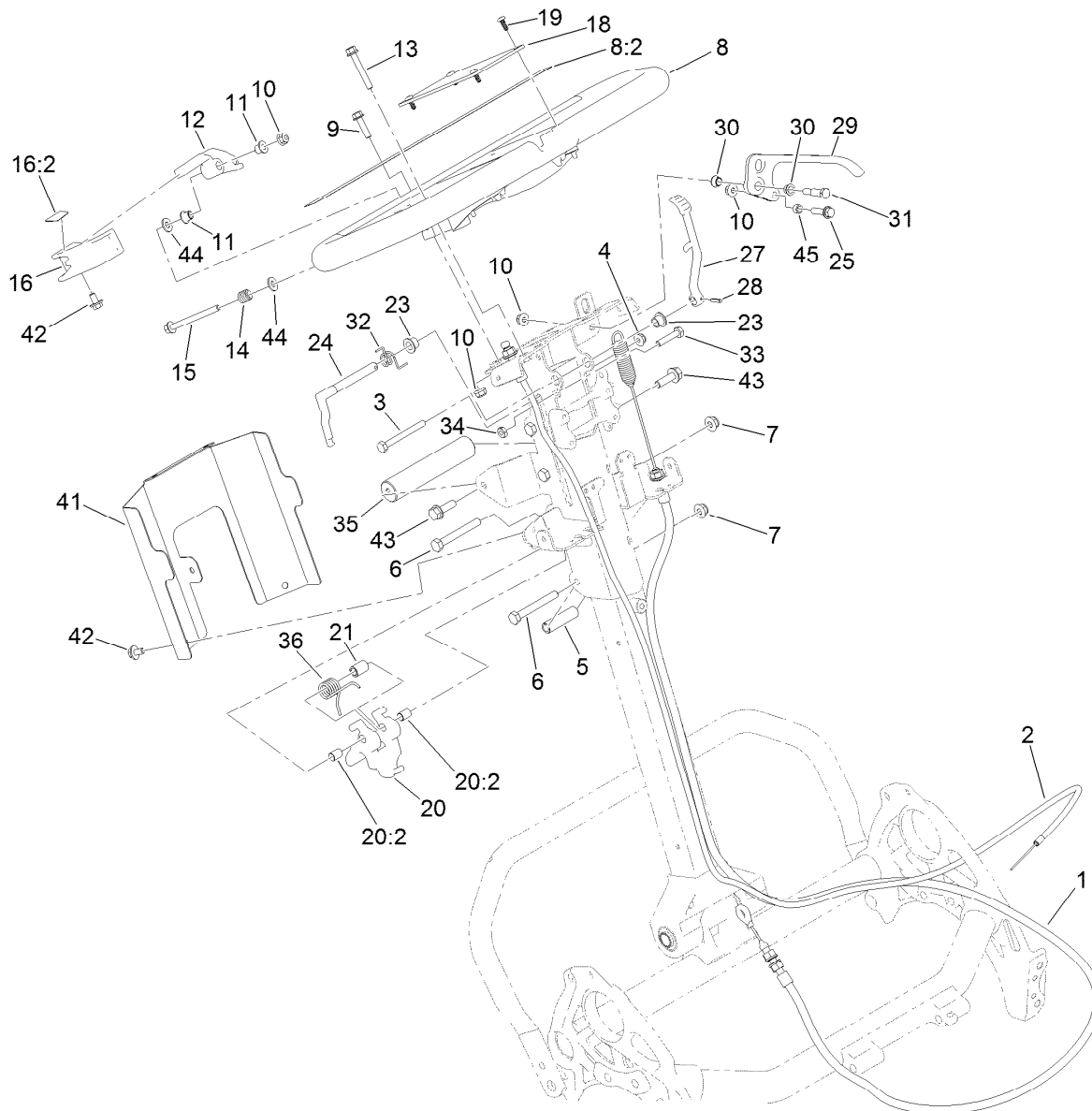
## Engine Assembly No. 138-2142

<i>Ref.</i>	<i>Part Number</i>	<i>Qty.</i>	<i>Description</i>
3	138-2128-03	1	Guard-Muffler
4	87-5150	2	Screw-HH
5	138-2138	1	Decal-Warning, Engine
6	133-8062	1	Decal-Arrestor, Spark
7	130-8322	1	Decal-Warning, Ethanol



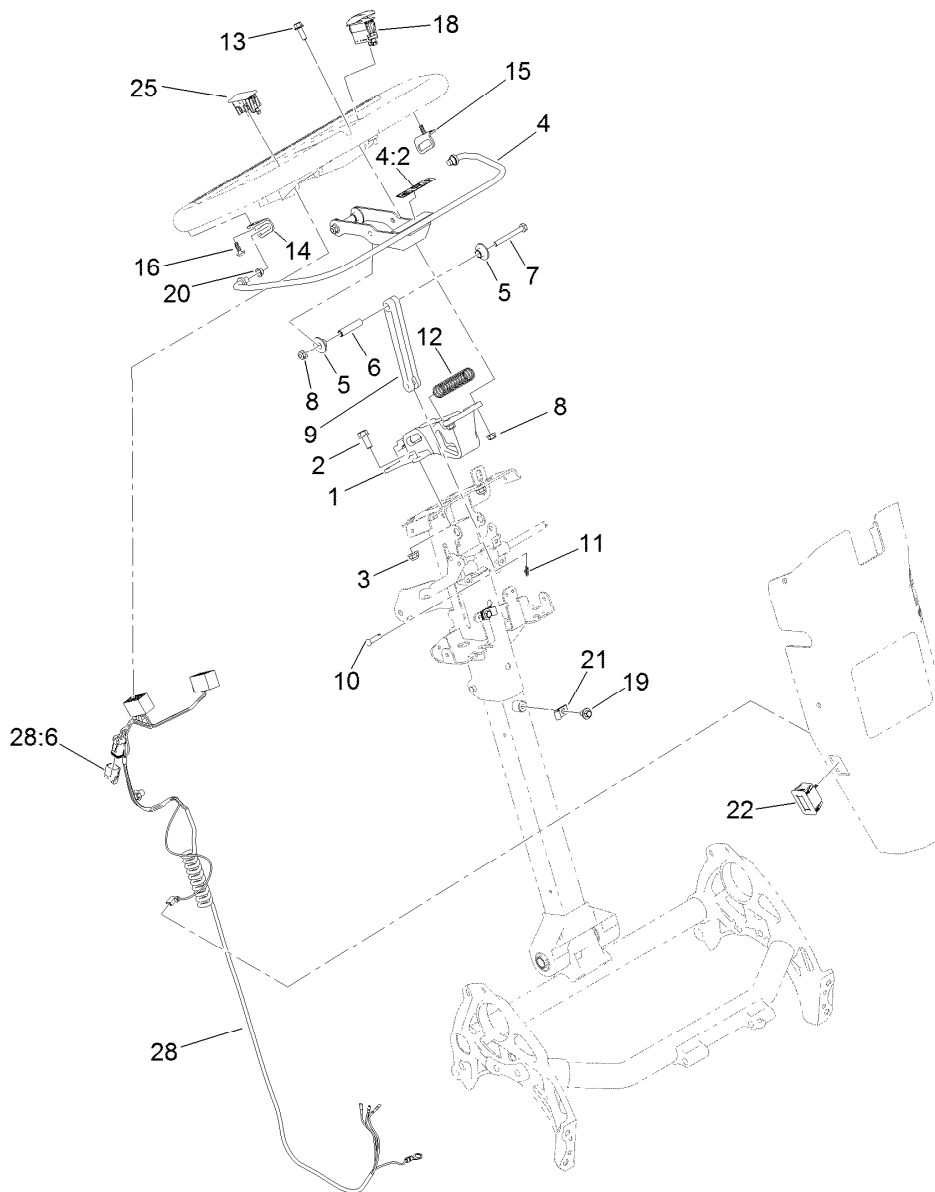
## Reel Controls and Covers Assembly

Ref.	Part Number	Qty.	Description	Ref.	Part Number	Qty.	Description
1	139-5191-0P	1	Receiver-Upper	16	138-1641	1	Stockcap
2	137-0264	1	Shaft-Main, Controls	17	104-9760	1	Knob-Black
3	137-0266	1	Cam-Latch, Upper	18	137-0190	1	Rod-Handle, Reel Lever
4	138-1513	2	Clamp-Shaft, Control	19	137-0232	1	Connector-Clevis
5	137-0263	2	Bushing-Split	20	1-808265	4	Pin-Clevis
6	137-0312	1	Reel Lever ASM	21	138-1587	2	Clip-Pin, Cotter
6:2	138-1637	2	Bearing-Needle	22	138-1536	1	Spring-Extension
7	131-3187	1	Seal-V-Ring	23	138-1479	1	Cover-Handle, Lower
8	140-3410	1	Spring-Extension	24	46-6810	8	Screw And Washer ASM
9	137-0313	1	Screw-Shoulder	25	139-4304	1	Control Upper Cover ASM
10	137-0346	1	Spacer-Latch, Bail	25:2	138-1589	1	Decal-Reel Drive Engagement
11	104-7201	1	Nut-HF	26	138-1582	1	Decal-Greensmaster 1018
12	32151-47	1	Ring-Retaining	27	75-5470	1	Spacer-Bearing
13	3274-8	4	Screw-HSH	28	138-1592	1	Connector-Clevis
14	137-0180	1	Cable-Clutch	29	140-3417	1	Spring-Extension
15	137-0181	1	Cable-Traction				



## Upper Handle Assembly

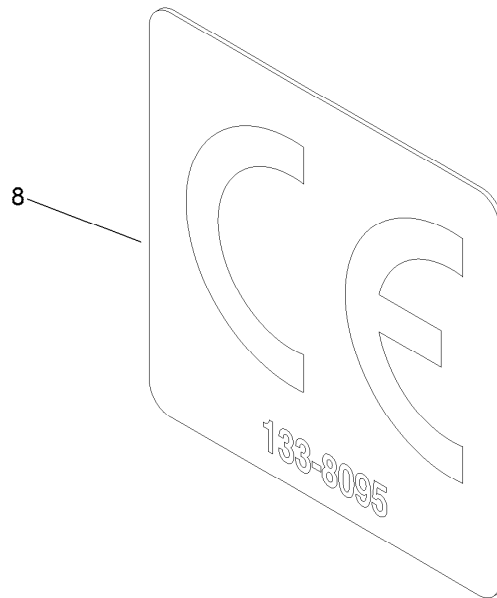
Ref.	Part Number	Qty.	Description	Ref.	Part Number	Qty.	Description
1	137-0183	1	Cable-Brake	20:2	137-0308	2	Bushing-Igus
2	137-0182	1	Cable-Throttle	21	137-0318	1	Spacer-Spring
3	321-15	1	Screw-HH	23	138-1514	2	Bushing-Flange
4	104-7201	1	Nut-HF	24	138-1573	1	Latch-Brake
5	137-0243	3	Spacer	25	119-1066	1	Screw-HF
6	322-12	4	Screw-HH	27	140-3377	1	Lever-Lock, Brake
7	119-4041	4	Nut-HF	28	32121-73	1	Pin-Roll
8	138-1645	1	Handle ASM	29	138-5505	1	Lever
8:2	138-5532	1	Decal-Warning, General	30	138-5538	2	Bushing-Flange
9	120-4654	2	Screw-HHF	31	138-1559	1	Screw-Shoulder
10	119-4040	5	Nut-Flange, NI	32	138-1518	1	Spring-Brake, Torsion
11	138-3538	2	Bushing-Flange	33	114-0282	1	Screw-HH
12	138-1636	1	Arm-Throttle	34	120-9695	1	Nut-Jam
13	138-5527	1	Screw-HHF	35	138-1535	1	Handle-Assist, Lift
14	3-5787	1	Spring-Compression	36	138-1481	1	Spring-Handle, Torsion
15	114-8410	1	Screw-HHF	41	138-5530-03	1	Cover-Bottom, Controls
16	139-4303	1	Throttle Lever ASM	42	46-6810	3	Screw And Washer ASM
16:2	138-5534	1	Decal-Throttle	43	115-5142	2	Screw-HHF
18	138-5514	1	Plate-Notepad, Handle	44	3256-22	2	Washer-Flat
19	127-6843	4	Screw-Plastite, Torx Pan	45	120-6564	1	Spacer
20	137-0317	1	Handle Adjuster ASM				



## Traction Bail Assembly

<i>Ref.</i>	<i>Part Number</i>	<i>Qty.</i>	<i>Description</i>	<i>Ref.</i>	<i>Part Number</i>	<i>Qty.</i>	<i>Description</i>
1	138-5524	1	Mount-Handle	13	120-9678	2	Screw-HHF
2	3234-47	2	Screw-HHF	14	138-3539	1	Bracket-Bail, RH
3	119-4041	2	Nut-HF	15	138-3540	1	Bracket-Bail, LH
4	139-4302	1	Clutch Bail ASM	16	138-5775	2	Screw-Delta Point
4:2	138-5533	1	Decal-Bail, Traction	18	122-1497	1	Switch-Rocker, On-None-Off
5	138-3466	4	Bushing-Flange	19	46-6810	2	Screw And Washer ASM
6	138-3465	2	Spacer-Tube	20	138-5538	2	Bushing-Flange
7	321-18	2	Screw-HH	21	2412-72	2	Clip-Closed, Insulated
8	119-4040	4	Nut-Flange, NI	22	119-1347	1	Meter-Hour
9	138-5515	1	Link-Bail, Clutch	25	119-7791	1	Plug-Hole, Carling
10	353-322	1	Pin-Clevis	28	122-1416	1	Harness-Wire
11	138-1587	1	Clip-Pin, Cotter	28:6	32180-091	1	Cap-Dust, 2 Way
12	138-3468	1	Spring-Compression				





## CE Decal

<i>Ref.</i>	<i>Part Number</i>	<i>Qty.</i>	<i>Description</i>
8	133-8095	1	Decal-CE

# Attachments and Accessories

## For 04820 Greensmaster 1018 Mower

<b>Product Name</b>	<b>Model/Part</b>
Wheel Kit .....	04123
Light Kit (2019+) .....	04135
Push Broom Kit, Walk Greensmower (2019+) .....	04136
Extended Narrow Wiehle Roller Asm (18 Inch) .....	04148
Trans Pro 80 Tow-Behind Trailer .....	04238
Trans Pro 100 Tow-Behind Trailer .....	04240
Flat Ramp .....	04245
Rail Ramp Kit (Update) .....	04247
18in Soft Grooming Brush .....	04268
18in Stiff Grooming Brush .....	04269
Turf Evaluator .....	04399
Universal Groomer Drive .....	04707
18in Twin Tip Groomer Reel .....	04801
Interlace Narrow Wiehle Roller Asm (18 Inch) .....	04804
Full Front Roller Asm (18 Inch) .....	04814
11-Blade 18in Fixed EDGESERIES Cutting Unit .....	04823
14-Blade 18in Fixed EDGESERIES Cutting Unit .....	04824
Bedknife-Microcut, Extended .....	110-2300
Bedknife-Low Cut .....	110-2301
18in Rail Conversion Kit .....	110-7345
Roller Extension Kit .....	115-7361
Bedknife-Edgemax, Microcut .....	117-1530
Bedknife-EdgeMax, Tournament .....	117-1532
Front Scraper Kit for Wide Wiehle Roller .....	120-9616
Front Scraper Kit for Full Roller .....	120-9617
Front Brush Kit for Wide Wiehle Roller .....	120-9622
Front Brush Kit for Full Roller .....	120-9623
MVP Kit-Cutting Unit Re-Build .....	121-2637
Premium Engine Oil 10w30 (55 Gallon Drum) .....	121-6392
Premium Engine Oil 10w30 (5 Gallon Pail) .....	121-6393
Toro Reel Paper (10 Pack) .....	125-5610
Toro Reel Shim (0.002in) .....	125-5611
18in Soft Grooming Brush Kit .....	127-1545
18in Stiff Grooming Brush Kit .....	127-1546
Angle Indicator .....	131-6828
Angle Indicator Mount .....	131-6829
Blade-Groomer, Universal Harden Blade (Thin) .....	132-4626
Grease-Synthetic .....	136-8595
Bedbar-18in .....	138-1520-01
Rail Ramp Kit TP100 .....	138-5011
Bedknife-EdgeMax, Microcut Short .....	139-4318
Bedknife-EdgeMax, Tournament Short .....	139-4319
Access Backlap Kit .....	139-4342
Wireless Hour Meter Kit .....	139-4369
Rod Replacement Kit, Greensmaster 1018 Series Traction Unit with Trans Pro 100 Tow-Behind Trailer .....	139-6470

## Attachments and Accessories (continued)

Retention Straps Kit.....	139-6477
Interlaced Roller Scraper Asm (18 Inch) .....	139-7411
Interlaced Roller Scraper Brush Asm (18 Inch) .....	139-7412
Wiehle Roller ASM, 18 Inch .....	140-3362
Roller ASM, Wide Wiehle.....	140-3441
Height-of-Cut Bar.....	94-9010
Bedknife-Tournament .....	98-7260
Bedknife-Microcut.....	98-7261
Extended HOC Arm.....	99-4286



**Count on it.**