



**Mid-Size Mower**  
**ProLine Gear with Side Discharge Mower**  
Model No. 30255—210000001 and Up

## Parts Catalog

### Ordering Replacement Parts

To order replacement parts, please supply: the part number, the quantity, and the description of each part desired.

### Understanding Reference Numbers

Each identified part in an illustration has a reference number. The reference number for a part also appears in the parts list, along with other information about the part.

This catalog uses two special reference number formats, one to indicate parts in a service assembly and another to indicate the quantity of a given part in an illustration.

### Service Assembly Reference Numbers

Parts in service assemblies have reference numbers in the form **a:b**. The **a** represents the reference number of the entire service assembly and the **b** represents a sequential number unique to each part within the service assembly.

For example, a wheel assembly might be identified by reference number **6**, the tire by **6:1**, the valve by **6:2**, and the wheel by **6:3**. When you order the assembly identified by reference number **6**, you receive all parts identified by reference numbers **6:1**, **6:2**, and **6:3**. However, you may also order any part individually.

Reference numbers of this type appear in illustrations and in part lists.

### Reference Numbers Indicating Quantity

In an illustration, if a reference number indicates more than one part, the reference number has the form **nX y**. The **n** represents the quantity of the part, the **X** is the multiplication symbol, and the **y** represents the reference number.

For example, in an illustration, the reference number **2X 37** means that two of the parts identified by reference number **37** are indicated.

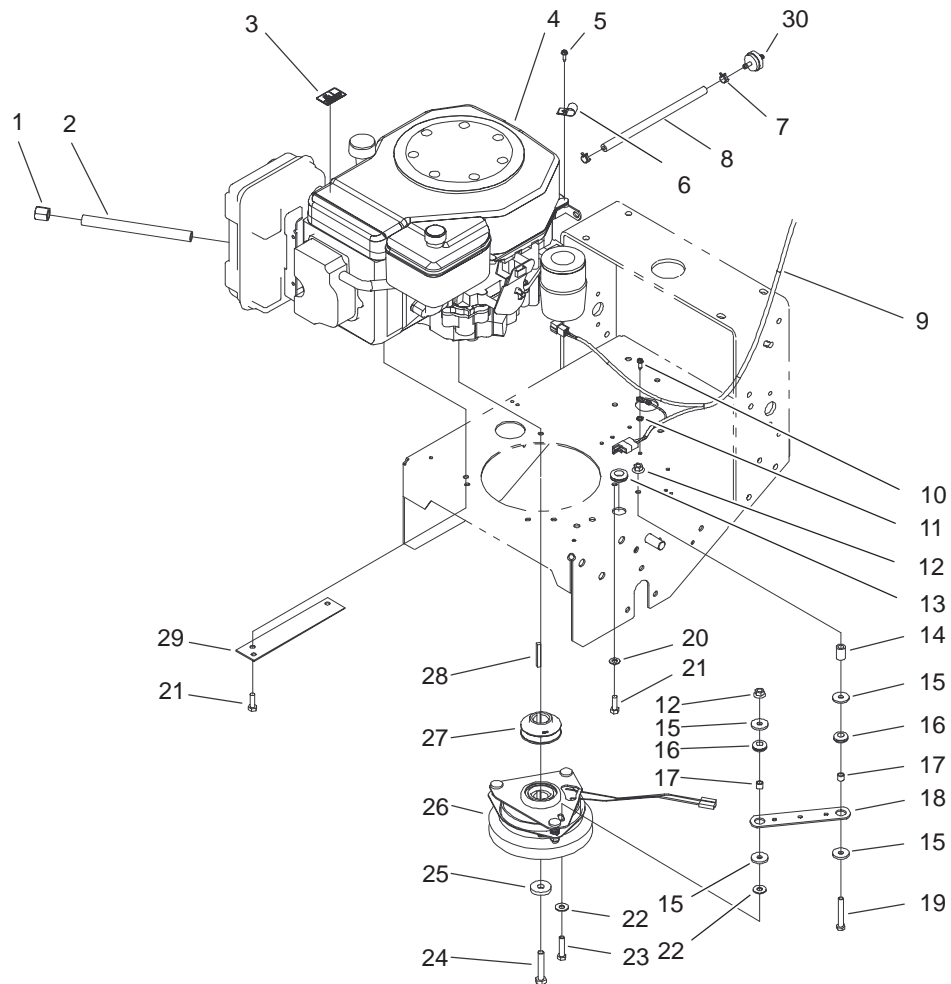
## Contents

<b>Description</b>	<b>Page</b>	<b>Description</b>	<b>Page</b>
Engine and Clutch Assembly .....	3	Cylinder Head, Valves And Breather Assembly	
Clutch Assembly No. 54-3200 .....	4	Kohler Model CV15T-41604 .....	18
Fuel Tank Assembly .....	5	Ignition and Electrical Assembly	
Lower Controls Assembly .....	6	Kohler Model CV15T-41604 .....	19
Transmission and Drive System Assembly ....	7	Blower Housing And Baffles Assembly	
Wheel Drive and Brake System Assembly ....	8	Kohler Model CV15T-41604 .....	20
Handle Assembly .....	9	Starter Assembly	
Control Panel Assembly .....	10	Kohler Model CV15T-41604 .....	21
Deck Assembly .....	11	Fuel System Assembly	
Spindles, Idler Pulleys, and Belts Assembly ...	12	Kohler Model CV15T-41604 .....	22
Spindle Housing Assembly No. 104-6315 ....	13	Engine Controls Assembly	
Spindle Housing Assembly No. 104-6317 ....	14	Kohler Model CV15T-41604 .....	23
Carrier Frame Assembly .....	15	Air Cleaner Assembly	
Crankcase Assembly		Kohler Model CV15T-41604 .....	24
Kohler Model CV15T-41604 .....	16	Exhaust Assembly	
Oil Pan and Lubrication Assembly		Kohler Model CV15T-41604 .....	25
Kohler Model CV15T-41604 .....	17	Electrical Schematic .....	26

## Part Description Abbreviations

Part descriptions in this catalog may include the following abbreviations.

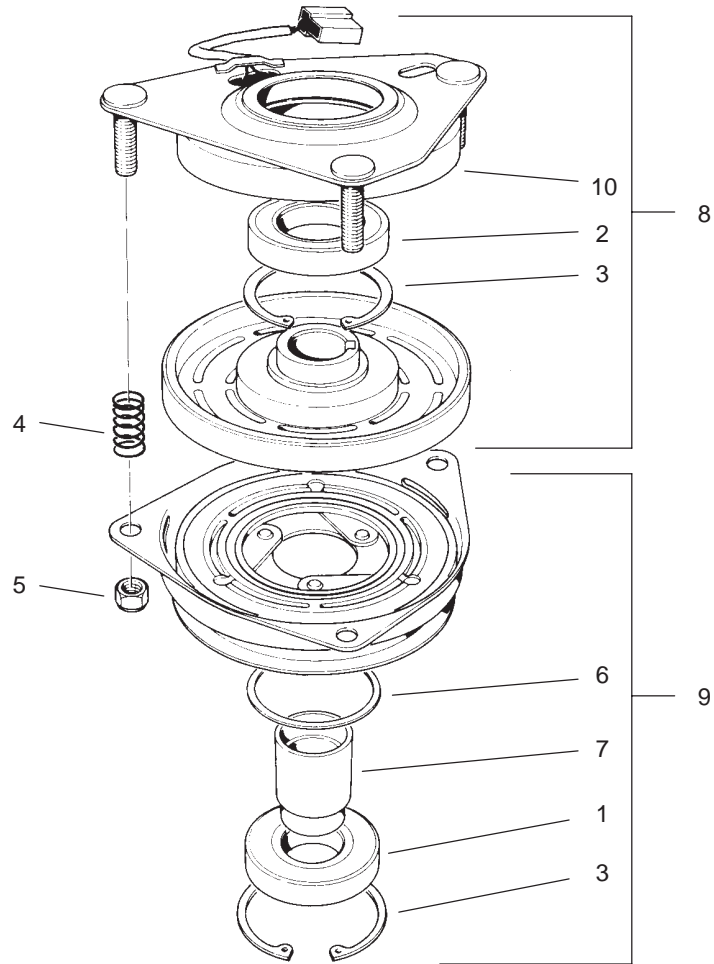
<b>Abbreviation</b>	<b>Meaning</b>	<b>Abbreviation</b>	<b>Meaning</b>
AR .....	as required	HYD .....	hydraulic
ASM .....	assembly	INC .....	incorporated
CARR .....	carriage	LH .....	left hand
DEG .....	degrees	NI .....	nylon insert
FH .....	flat head	PPH .....	Phillips pan head
GA .....	gauge	PTH .....	Phillips truss head
HF .....	hex flange	PTO .....	power take off
HH .....	hex head	RH .....	right hand
HHF .....	hex head flange	SFH .....	slotted fillister head
HLH .....	hex lag head	SHH .....	slotted hex head
HJ .....	hex jam	SQH .....	square head
HOC .....	height-of-cut	SHWH .....	slotted hex washer head
HS .....	hex socket	SPH .....	slotted pan head
HSBH .....	hex socket button head	SRH .....	slotted round head
HSFH .....	hex socket flat head	STD .....	standard
HSH .....	hex socket head	TAP .....	self tapping
HWH .....	hex washer head	TTH .....	Torx truss head
HWHTF .....	hex washer head thread forming	WH .....	wing head



Sheet No.: 3

## Engine and Clutch Assembly

Ref. No.	Part No.	Qty.	Description	Ref. No.	Part No.	Qty.	Description
1	288-10	1	Cap-Pipe	25	112843	1	Washer
2	105-2624	1	Pipe Nipple	26	54-3200	1	Clutch/Brake
3	63-8440	1	Decal-Hot Surface	27	105-0827	1	Pulley-Drive
4		1	Engine-Kohler, Cv15t-41604	28	608006	1	Key
5	32144-19	1	Screw-Thread Forming	29	94-5847-01	1	Cover - Pulley
6	2412-87	1	Clamp-Cable	30	56-6360	1	Filter-Fuel
7	2412-98	2	Clamp				
8	47-2982	1	Hose-Gas				
9	104-8136	1	Wire Harness				
10	12-3270	1	Screw				
11	3255-7	1	Washer-Lock/Ext				
12	32128-20	2	Nut-HF				
13	237-124	1	Grommet				
14	104-6373	1	Tube - Retainer				
15	1-613235	4	Washer				
16	1-633630	2	Grommet-Brake				
17	1-633545	2	Spacer-Grommet				
18	1-633543	1	Strap,Clutch/Brake				
19	322-11	1	Screw-HH				
20	3256-23	2	Washer-Flat				
21	33114-025	4	Screw-HH				
22	3256-3	2	Washer-Flat				
23	322-7	1	Screw-HH				
24	3212-9	1	Screw-HH				

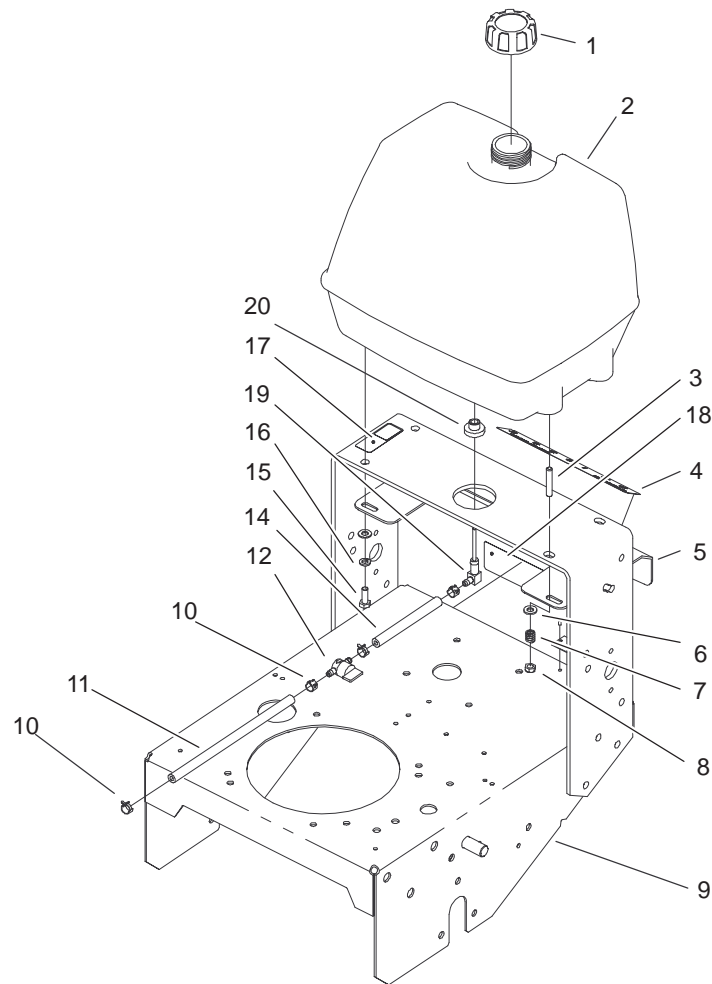


Sheet No.: A1  
T-3726

### Clutch Assembly No. 54-3200

Ref. No.	Part No.	Qty.	Description
1	251-291	1	Bearing-Pulley
2	251-292	1	Bearing-Field
3	44-8310	2	Ring-Retaining
4	44-8320	3	Spring
5	3296-6	3	Nut-Lock, NI
6	44-8330	1	Spacer-Pulley Bearing
7	44-8340	1	Collar-Bearing
8	44-8360	1	Field Coil-Rotor / Bearing ASM
9	44-8370	1	Armature / Pulley / Bearing ASM
10	54-0230	1	Field Bearing ASM

Ref. No.	Part No.	Qty.	Description



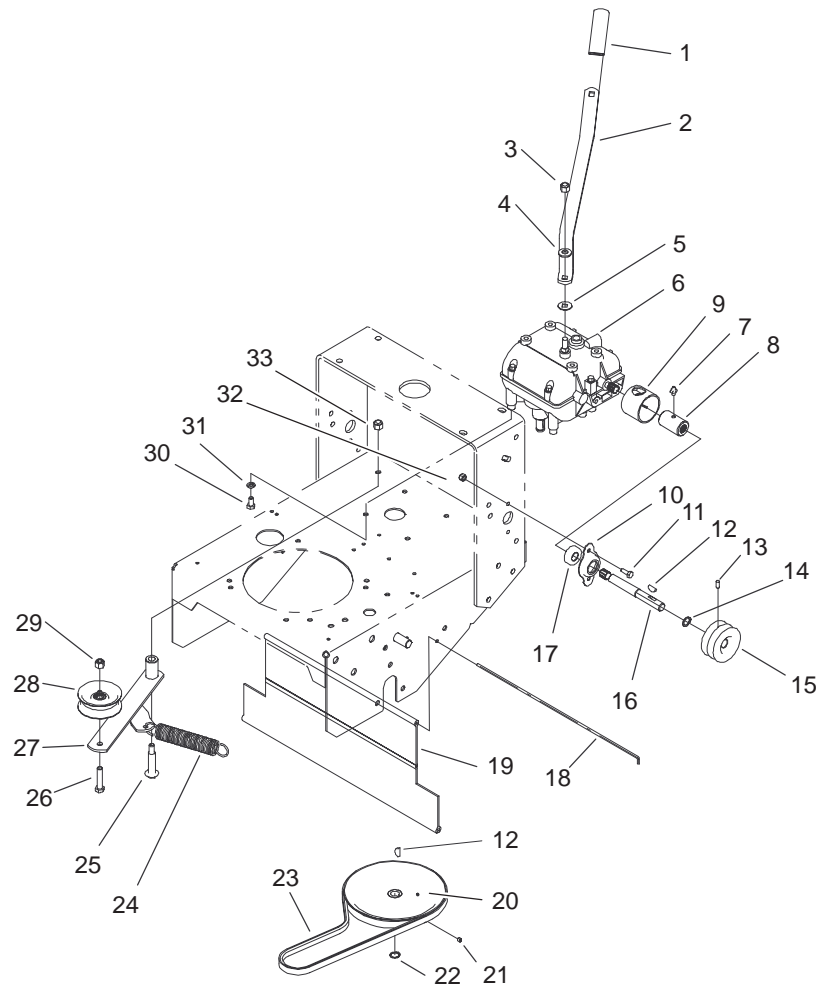
Sheet No.: 5

## Fuel Tank Assembly

Ref. No.	Part No.	Qty.	Description
1	55-3570	1	Gas Cap ASM
2	1-323551	1	Tank-Fuel
3	104-8121	2	Stud-Threaded
4	98-3256	1	Decal-Ground Speed
5	104-8102-01	1	Plate-Shift Gate
6	3256-23	4	Washer-Flat
7	1-633349	2	Spring-Tank, Fuel
8	3296-47	2	Nut-Lock, NI
9	104-8100-01	1	Traction Frame ASM
10	2412-98	4	Clamp
11	47-2982	1	Hose-Gas
12	1-603770	1	Valve-Fuel
14	47-2966	1	Gas Hose
15	322-4	2	Screw-HH
16	3253-4	2	Washer-Lock
17	95-2814	1	Decal-Fuel Shut Off
18	98-0776	1	Decal-Caution
19	1-543277	1	Elbow-Tank, Fuel
20	1-513645	1	Bushing-Valve, Fuel

Ref. No.	Part No.	Qty.	Description



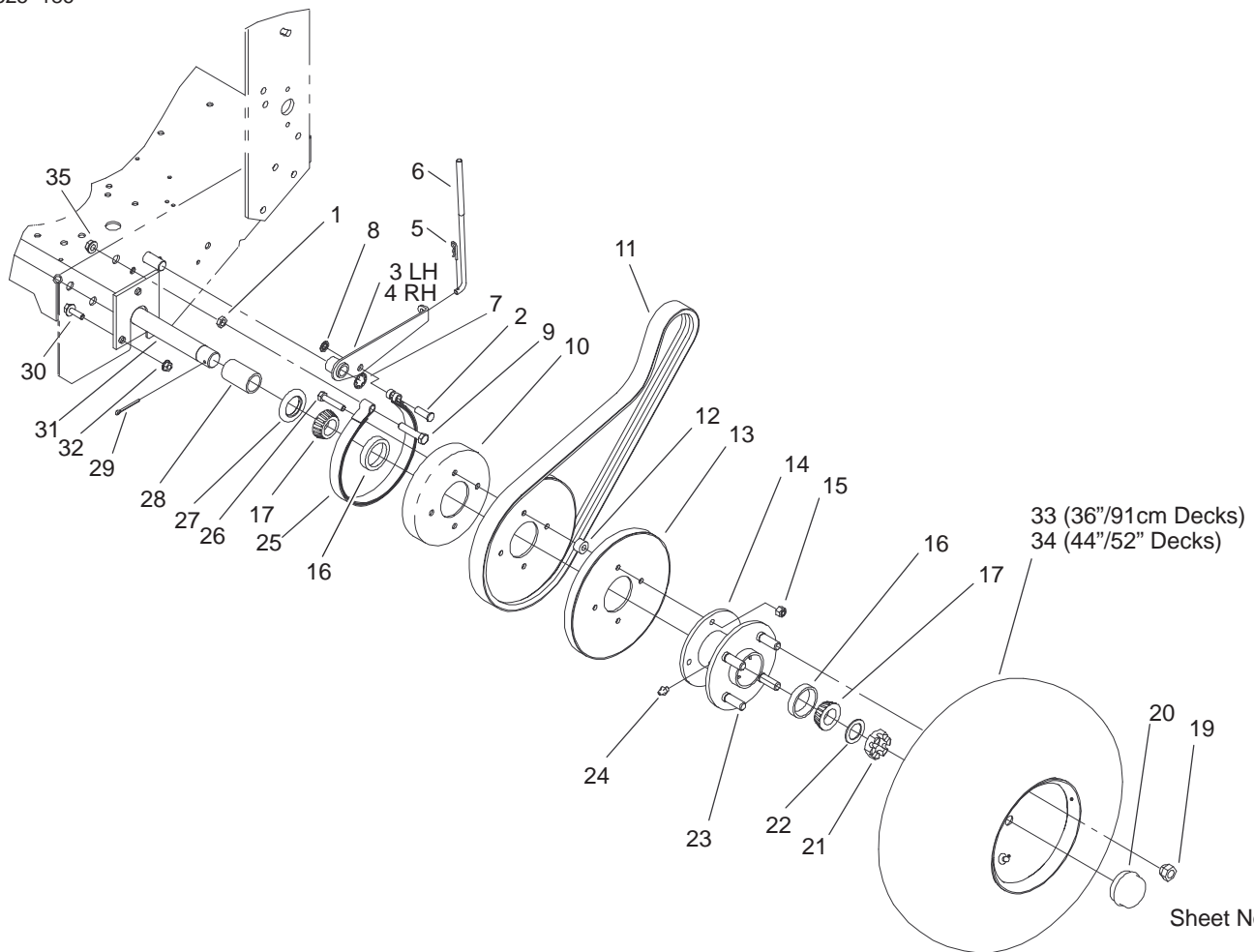


Sheet No.: 7

## Transmission and Drive System Assembly

Ref. No.	Part No.	Qty.	Description
1	47-1970	1	Grip-Engagement
2	98-3274-03	1	Lever-Shift
3	3296-6	1	Nut-Lock, NI
4	98-5975	1	Washer-Belleville
5	1-323379	1	Washer-Shifter Lever
6	1-323500	1	Transmission, Peerless
7	302-5	2	Fitting-Grease
8	98-0789	2	Coupler
9	51-4220	2	Guard-Coupler
10	1-323254	2	Flange-Output
11	321-4	4	Screw-HH
12	3257-5	3	Key-Woodruff
13	3245-9	2	Screw-Set
14	32151-62	2	Ring-Retaining
15	105-0828	2	Pulley-Transmission
16	104-1102	2	Shaft-Output
17	1-323252	2	Bearing-Shaft, Transmission
18	95-1529	1	Rod-Shield
19	95-1526	1	Shield-Trailing
20	51-4190	1	Pulley-Driven
21	3245-1	1	Screw-Set, HSH
22	32120-64	1	Ring-Snap, External
23	26-9671	1	V-Belt
24	68-2190	1	Spring-Extension
25	27-6230	1	Bolt-Wheel

Ref. No.	Part No.	Qty.	Description
26	323-9	1	Screw-HH
27	16-7509	1	Lever-Idler
28	62-4540	1	Pulley
29	3296-39	1	Nut-Lock, NI
30	322-2	4	Screw-HH
31	3253-4	4	Washer-Lock
32	3296-42	4	Nut-Lock, NI
33	3296-6	1	Nut-Lock, NI



Sheet No.: 8

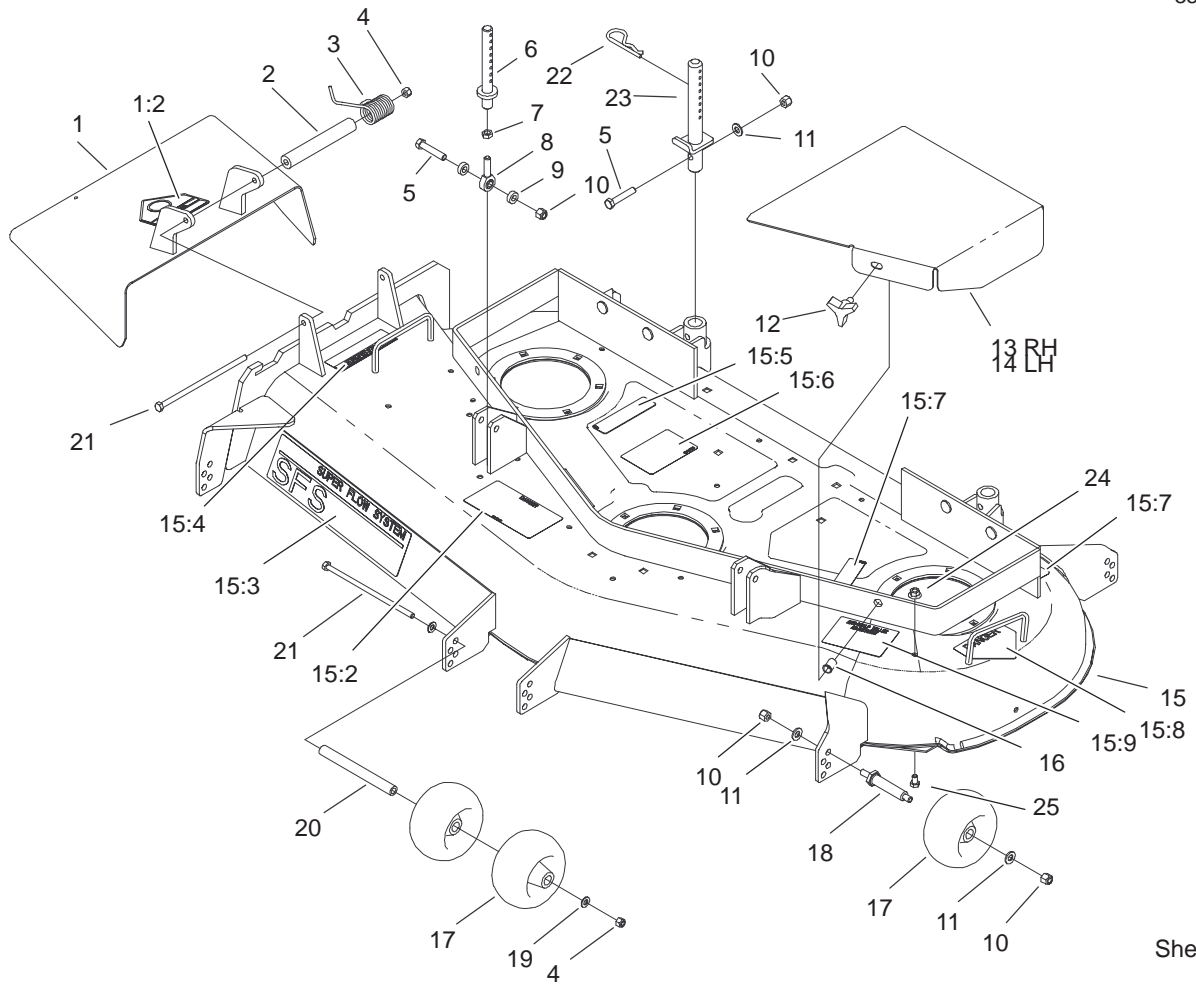
## Wheel Drive and Brake System Assembly

Ref. No.	Part No.	Qty.	Description
1	3218-3	2	Nut-Jam
2	1-323307	2	Pin - Clevis
3	51-4610-01	1	Arm-LH Brake
4	51-4600-01	1	Arm-RH Brake
5	3290-307	2	Pin-Hair
6	51-4580	2	Rod-Brake
7	32151-40	2	Ring-Retaining
8	32151-56	2	Ring-Retaining, Ext
9	323-9	2	Screw-HH
10	1-323261	2	Drum, Brake
11	104-8152	2	Belt-Traction Drive
12	51-4170	8	Spacer-Pulley
13	51-4160-03	4	Pulley-Wheel
14	1-413333	2	Hub, Wheel W/Cups
15	3296-29	8	Nut-Lock
16	254-72	4	Bearing-Taper/Cup
17	254-94	4	Bearing-Taper/Cone
19	242-50	8	Nut-Lug
20	241-119	2	Cap-Dust
21	1-809082	2	Nut, SHH
22	1-523157	2	Washer-Spacer
23	1-633926	8	Stud-Wheel
24	302-19	2	Fitting-Grease
25	1-323262	2	Band, Brake
26	322-8	8	Screw-HH
27	1-543511	2	Seal-Grease

Ref. No.	Part No.	Qty.	Description
28	104-1197	2	Spacer-Wheel
29	1-806800	2	Pin-Cotter
30	3234-11	6	Screw-HHF
31	104-1196-01	1	Axle ASM
32	32128-21	6	Nut-HF
33	104-6321	2	Wheel And Tire ASM
34	104-1198	2	Wheel And Tire ASM
35	3290-357	2	Nut-Flange, Lock





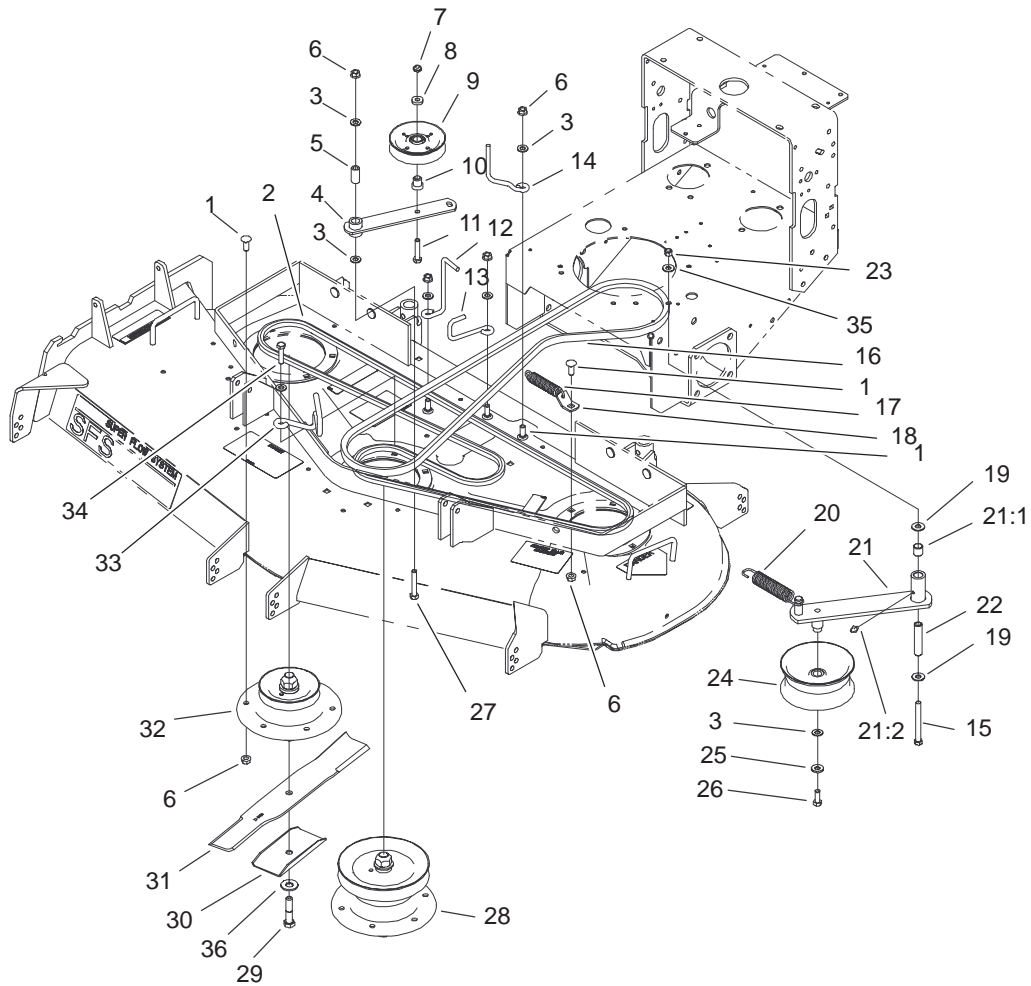


Sheet No.: 2

## Deck Assembly

Ref. No.	Part No.	Qty.	Description
1	104-7753	1	Deflector ASM
1:2	54-9220	1	Decal-Danger
2	104-8555	1	Spacer-Mounting, Deflector
3	104-8554	1	Spring-Torsion
4	3296-29	2	Nut-Lock
5	323-10	4	Screw-HH
6	105-0832	2	Link-Support
7	3220-3	2	Nut-Jam
8	1-613204	2	Balljoint
9	104-1156	4	Spacer
10	3296-39	12	Nut-Lock, NI
11	3256-24	10	Washer-Flat
12	104-8587	2	Knob
13	104-6389-01	1	Cover-Belt, Right
14	104-6388-01	1	Cover-Belt, Left
15	104-6394	1	Deck ASM
15:2	66-1340	1	Decal-Danger
15:3	98-5953	1	Decal-Sfs
15:4	104-8569	1	Decal-Deflector Warning
15:5	67-5360	3	Decal-Danger
15:6	104-8186	1	Decal-Belt Routing
15:7	68-8340	1	Decal-Torque
15:8	43-8480	1	Decal-Danger
15:9	105-0840	1	Decal-Anti Scalp

Ref. No.	Part No.	Qty.	Description
16	32148-10	2	Insert-Threaded
17	68-2730	6	Gage-Wheel
18	99-2842	4	Spacer-Wheel
19	3256-23	2	Washer-Flat
20	98-5967	1	Spacer - Wheel
21	322-50	2	Screw-Cap
22	3290-256	6	Pin-Hair
23	105-0831	2	Rod ASM
24	32128-20	7	Nut-HF
25	322-1	7	Screw-HH

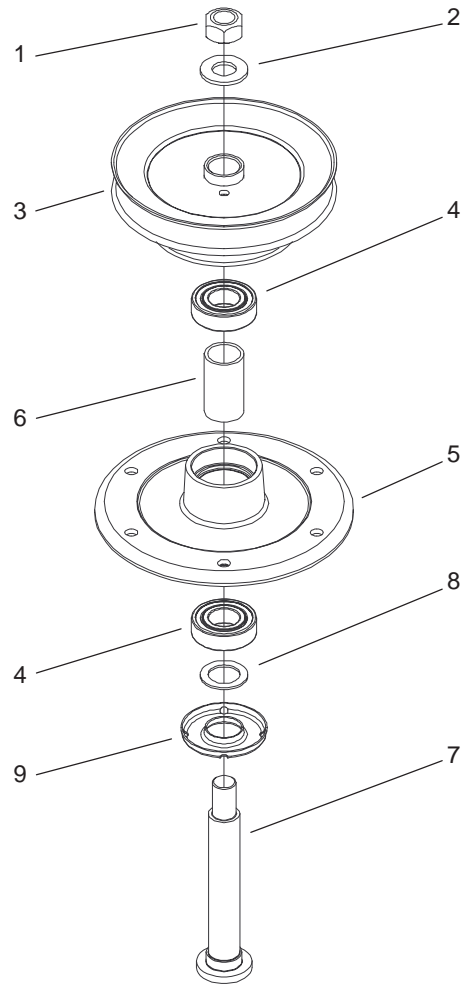


Sheet No.: 3

## Spindles, Idler Pulleys, and Belts Assembly

Ref. No.	Part No.	Qty.	Description
1	3231-22	19	Screw-CARR
2	104-6397	1	V-Belt, Deck
3	3256-24	7	Washer-Flat
4	104-6375	1	Idler Arm ASM
5	51-3640	1	Sleeve-Pivot, Idler
6	32128-21	21	Nut-HF
7	3296-5	1	Nut-Lock NI
8	7-0081	1	Washer-Flat
9	65-5940	1	Pulley-Idler
10	104-6379	1	Bushing-Pulley
11	3211-8	1	Screw-HH
12	98-5980	1	Guide - Belt
13	104-6396	1	Guide-Belt
14	52-4780	1	Rod-Belt
15	323-42	1	Screw-HH
16	104-6398	1	V-Belt, PTO
17	51-3650	1	Spring - Extension
18	104-6374	1	Plate - Spring
19	1-809107	2	Washer-Hardened
20	104-8161	1	Spring-Extension
21	104-6370	1	Idler Arm ASM
21:1	1-513034	2	Sleeve-Bearing
21:2	302-5	1	Fitting-Grease
22	104-6377	1	Tube - Idler
23	3296-39	1	Nut-Lock, NI
24	1-413099	1	Pulley-Idler

Ref. No.	Part No.	Qty.	Description
25	98-5975	1	Washer-Belleville
26	323-6	1	Screw-HH
27	323-11	1	Screw-HH
28	104-6315	1	Spindle Housing ASM
29	44-2200	3	Screw - Blade
30	92-9820	3	Stiffener - Blade
31	27-0990	3	Blade
32	104-6317	2	Spindle Housing ASM
33	105-0850	1	Guide-Belt
34	323-8	1	Screw-HH
35	3256-4	1	Washer-Flat
36	3256-6	3	Washer-Flat

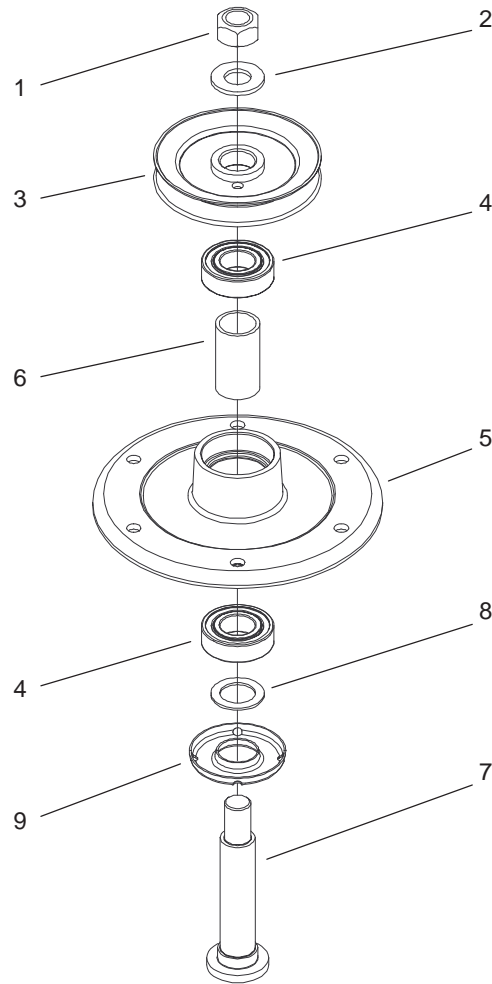


Sheet No.: A1  
C-3011

## Spindle Housing Assembly No. 104-6315

Ref. No.	Part No.	Qty.	Description
1	3219-7	1	Nut-Hex
2	7-4150	1	Washer-Pinion
3	104-1117	1	Pulley And Hub ASM
4	104-6325	2	Bearing
5	104-6307	1	Spindle Housing
6	104-6313	1	Spacer-Bearing
7	104-6311	1	Shaft-Spindle
8	88-7540	1	Washer - Backup
9	79-1920	1	Shield-Bearing

Ref. No.	Part No.	Qty.	Description

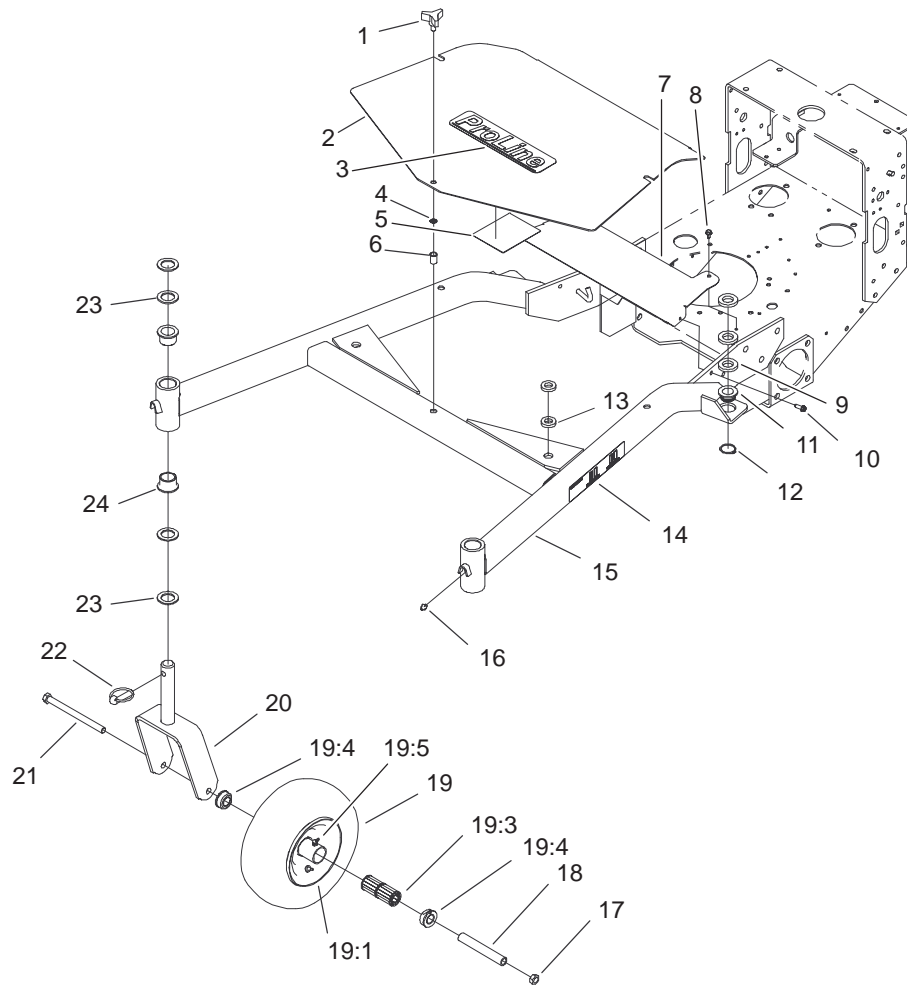


Sheet No.: A2  
C-3012

## Spindle Housing Assembly No. 104-6317

Ref. No.	Part No.	Qty.	Description
1	3219-7	1	Nut-Hex
2	7-4150	1	Washer-Pinion
3	104-1118	1	Pulley And Hub ASM
4	104-6325	2	Bearing
5	104-6307	1	Spindle Housing
6	104-6313	1	Spacer-Bearing
7	104-6310	1	Shaft-Spindle
8	88-7540	1	Washer - Backup
9	79-1920	1	Shield-Bearing

Ref. No.	Part No.	Qty.	Description

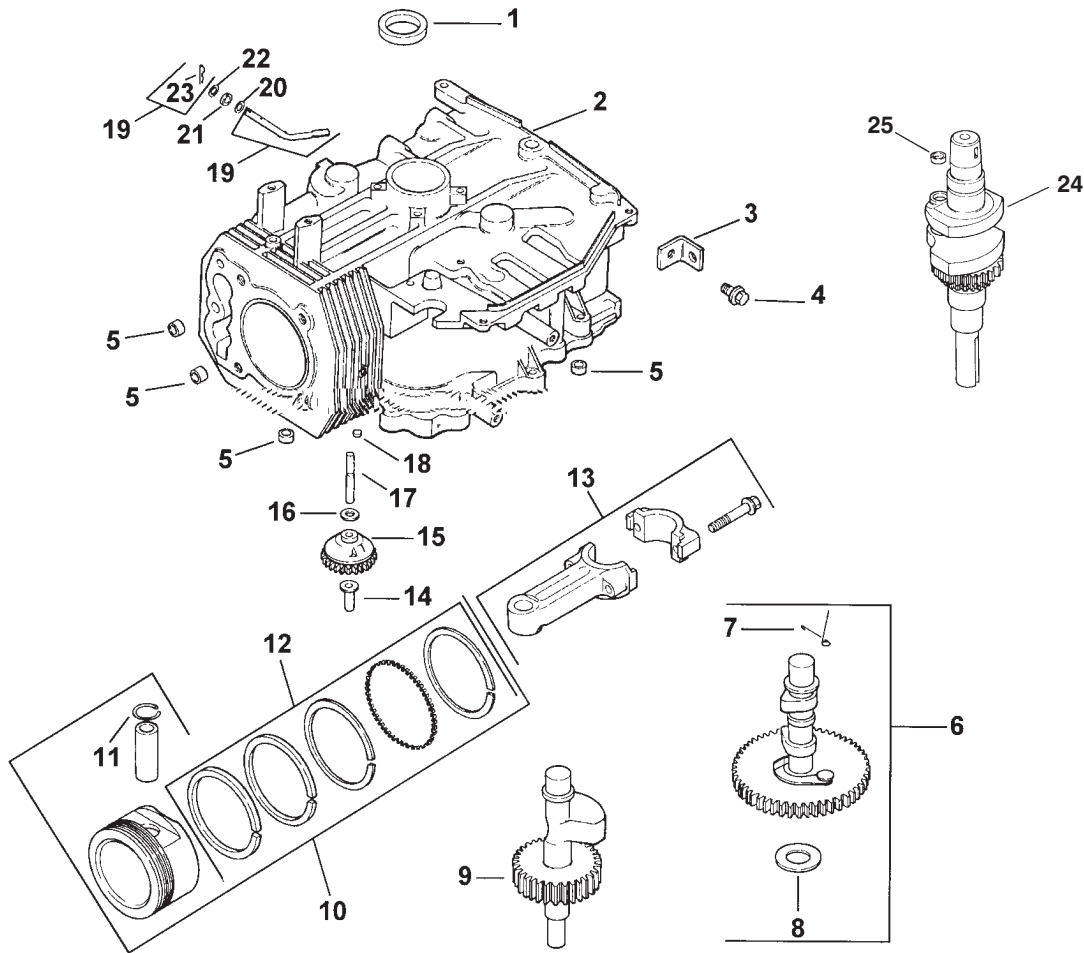


Sheet No.: 4

## Carrier Frame Assembly

Ref. No.	Part No.	Qty.	Description
1	104-8587	3	Knob
2	104-8153-01	1	Cover-Carrier Frame
3	74-2080	1	Decal-Proline
4	32151-72	1	Ring-Retaining
5	104-8175	1	Decal-Service, Gear
5	104-8173	1	Decal-Service, Hydro
6	32148-9	3	Nut-Insert
7	105-0845-01	1	Shield-Heat
8	12-3270	2	Screw
9	104-1105	6	Spacer-Deck Support
10	49-2040	2	Screw-Tapping
11	1-513336	2	Bushing - Deck
12	32120-33	2	Ring-Retaining
13	105-0842	4	Spacer
14	104-8171	2	Decal-HOC
15	104-1109-01	1	Carrier Frame ASM
16	302-5	2	Fitting-Grease
17	32153-5	2	Nut-Lock
18	104-1189	2	Bushing-Spanner
19	104-1170	2	Castor Wheel ASM
19:1	104-1169	1	Tire And Tube ASM
19:3	62-5570	2	Bearing-Roller
19:4	62-5580	2	Bearing-Outside
19:5	302-11	1	Fitting-Lube, 45°
20	104-1183-01	2	Castor Fork ASM
21	325-33	2	Screw-HH

Ref. No.	Part No.	Qty.	Description
22	283-71	2	Pin-Lynch
23	3-6781	8	Washer-Thrust
24	94-1291	4	Bushing-Special

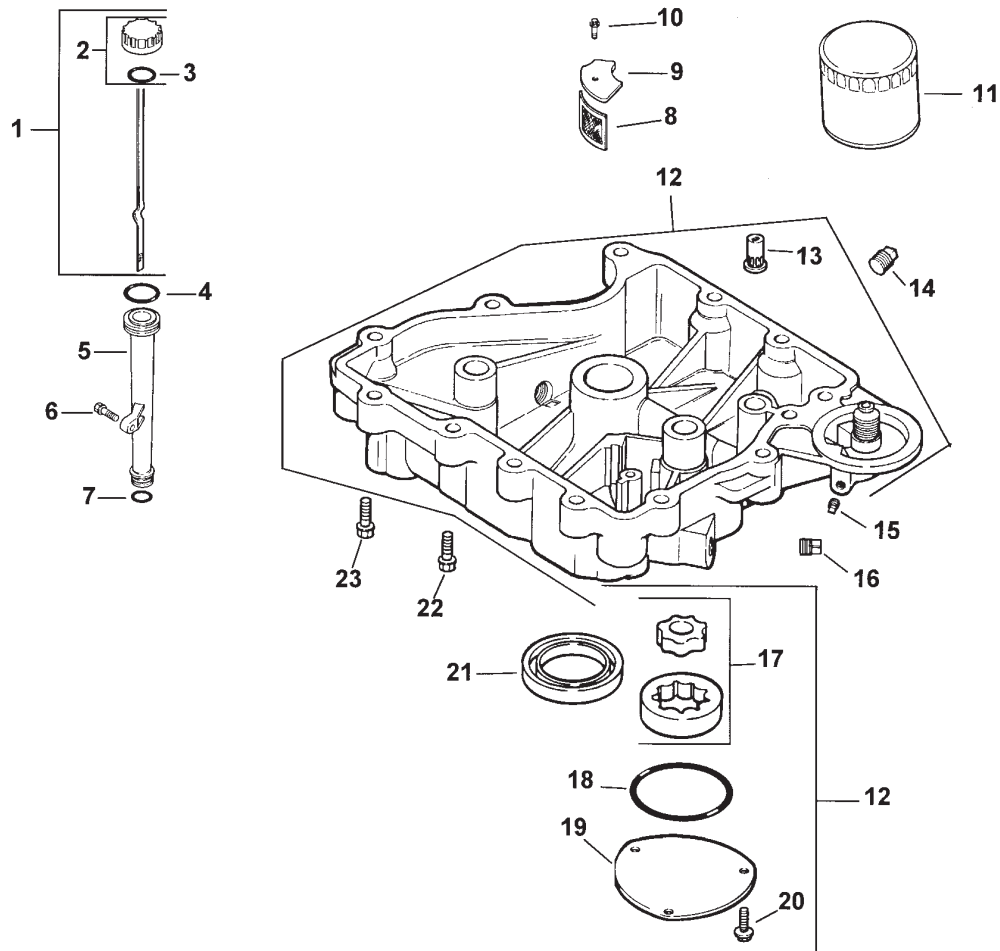


## Crankcase Assembly – Kohler Model CV15T-41604

Ref. No.	Part No.	Qty.	Description
1	12 032 03-S	1	Seal-Crankshaft
2	12 522 18-S	1	Shortblock
3	12 445 02-S	1	Strap-Lifting
4	M-839025-S	1	Screw-HF M8x1.25x22
5	24 380 13-S	4	Dowel-Locating
6	12 755 49-S	1	Kit-Camshaft (Incl.7-8)
7	12 089 31-S	1	Spring-Actuating
8	12 422 07-S	A/R	Shim-Camshaft, White
8	12 422 08-S	1	Shim-Camshaft, Blue
8	12 422 09-S	A/R	Shim-Camshaft, Red
8	12 422 10-S	A/R	Shim-Camshaft, Yellow
8	12 422 11-S	A/R	Shim-Camshaft, Green
8	12 422 12-S	A/R	Shim-Camshaft, Gray
8	12 422 13-S	A/R	Shim-Camshaft, Black
9	12 144 27-S	1	Shaft-Balance
10	12 874 07-S	1	Piston w/Ring Set STD (Incl. 11,12)
10	12 874 08-S	1	Set-Piston w/Ring .25
10	12 874 09-S	1	Set-Piston w/Ring .50
10	12 874 11-S	1	Set-Piston w/Ring .08
11	12 018 02-S	2	Retainer-Piston Pin
12	12 108 07-S	1	Ring Set STD
12	12 108 08-S	1	Ring Set .25
12	12 108 09-S	1	Ring Set .50
13	12 067 05-S	1	Rod-Connecting, STD
13	12 067 06-S	1	Rod-Connecting .25

Ref. No.	Part No.	Qty.	Description
14	12 380 01-S	1	Pin-Governor Regulating
15	12 043 05-S	1	Gear-Governor
16	M-631005-S	1	Washer-Plain, 6mm
17	12 144 02-S	1	Shaft-Governor Gear
18	52 139 09-S	1	Plug-Cup
19	12 755 64-S	1	Kit-Governor Cross Shaft (Incl. 23)
20	X-25-102-S	1	Washer-Plain, 1/4
21	12 032 01-S	1	Seal-Governor Cross Shaft
22	M-631015-S	1	Washer-Plain, 6mm
23	12 154 05-S	1	Clip-Hitch Pin
24	12 014 30-S	1	Crankshaft ASM (Incl. 25)
25	12 139 01-S	1	Plug-Cup
*	12 755 93-S	1	Set-Gasket

\* Not illustrated  
Order Parts from Kohler

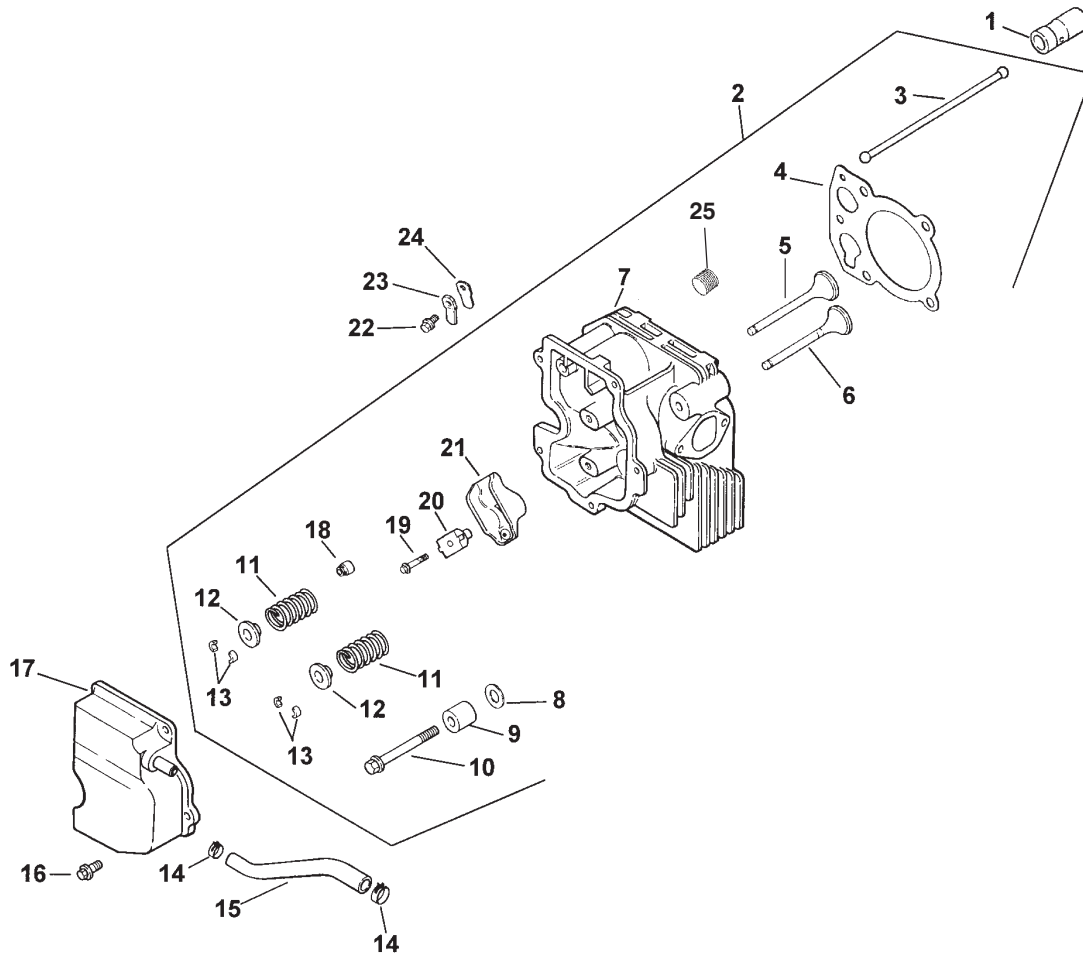


## Oil Pan and Lubrication Assembly Kohler Model CV15T-41604

Ref. No.	Part No.	Qty.	Description
1	12 038 01-S	1	Dipstick ASM(Incl. 2-3)
2	25 755 13-S	1	Kit-Oil Fill Cap (Incl. 3)
3	12 153 03-S	1	O Ring-Dipstick
4	12 153 02-S	1	O Ring-Upper Oil Fill Tube
5	12 123 04-S	1	Tube-Oil Fill
6	M-545020-S	1	Screw-HF, M5x0.8x20
7	12 153 01-S	1	O Ring-Lower Oil Fill Tube
8	25 162 07-S	1	Screen-Oil Pickup
9	12 096 03-S	1	Cover-Oil Pickup Screen
10	M-545016-S	1	Screw-HF, M5x0.8x16
11	52 050 02-S	1	Filter-Oil
12	12 199 50-S	1	Pan ASM - Oil (Incl.13, 17-20)
13	25 462 09-S	1	Valve-Oil Pressure Relief
14	25 139 57-S	1	Plug-Pipe, 3/8 SH
15	25 139 52-S	1	Plug-Pipe, 1/8
16	25 139 62-S	1	Plug-Pipe, 3/8 HSH
17	12 393 01-S	1	Pump-Oil
18	12 153 06-S	1	O Ring-Oil Pump Cover

Ref. No.	Part No.	Qty.	Description
19	12 096 34-S	1	Cover-Oil Pump
20	M-545016-S	3	Screw-HF, M5x0.8x16
21	12 032 03-S	1	Seal-Oil (PTO End)
22	24 086 16-S	11	Screw-HF, M8x1.25x45
23	24 086 17-S	1	Screw-HF, M8x1.25x45

Order Parts From Kohler

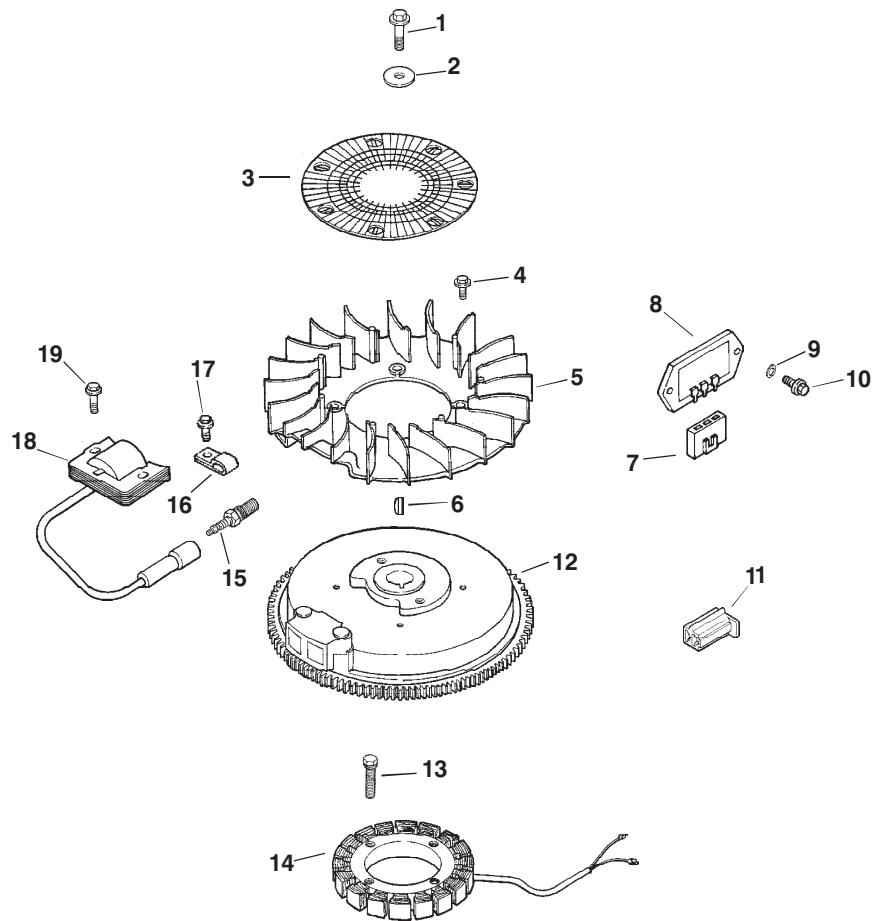


## Cylinder Head, Valves And Breather Assembly Kohler Model CV15T-41604

Ref. No.	Part No.	Qty.	Description
1	12 351 01-S	2	Lifter-Valve
2	12 755 81-S	1	Kit-Cylinder Head (Incl. 3-13, 18-21, 25, Carburator Gasket 12 041 01-S(2), Exhaust Manifold Gasket 12 041 03-S, Air Cleaner Gasket 12 041 02-S)
3	12 411 01-S	2	Rod-Push
4	12 041 10-S	1	Gasket-Cylinder Head
5	12 017 01-S	1	Valve-Intake STD
5	12 017 02-S	1	Valve-Intake .25
6	12 016 01-S	1	Valve-Exhaust STD
6	12 016 02-S	1	Valve-Exhaust, .25
7	12 318 19-S	1	Head - Cylinder
8	12 468 05-S	1	Washer-Plain 13/32
9	12 112 13-S	1	Spacer-Head Bolt Exhaust Port
10	12 086 15-S	5	Screw-HF M10x1.5x81
11	12 089 01-S	2	Spring-Valve
12	12 173 01-S	2	Cap-Valve Spring
13	12 755 03-S	2	Kit-Retainer
14	25 237 14-S	2	Clamp-Hose

Ref. No.	Part No.	Qty.	Description
15	12 326 03-S	1	Hose-Breather
16	M-645020-S	3	Screw-HF M6x1.0x20
17	12 096 07-S	1	Cover-Valve w/Nipple
18	24 032 05-S	1	Seal-Valve Stem
19	M-640034-S	2	Screw-HF M6x1.0x34
20	12 599 03-S	2	Pivot-Rocker Arm
21	25 186 01-S	2	Arm-Rocker
22	M-545010-S	1	Screw-HF M5x0.8x10
23	12 018 01-S	1	Retainer-Breather Reed
24	12 402 02-S	1	Reed-Breather
25	25 139 60-S	1	Plug-Pipe, HSH 1/8

Order Parts From Kohler

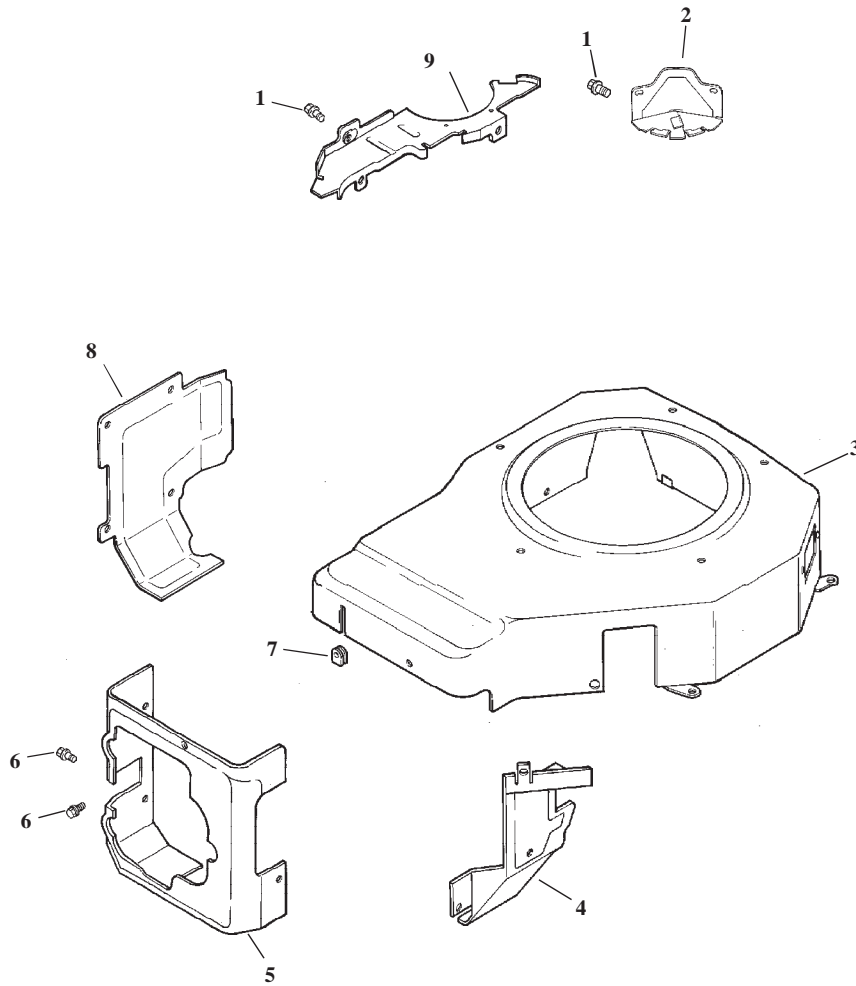


## Ignition and Electrical Assembly Kohler Model CV15T-41604

Ref. No.	Part No.	Qty.	Description
1	12 086 14-S	1	Screw-HF,M10x1.5x46
2	12 468 03-S	1	Washer-Plain, 3/8
3	12 162 03-S	1	Screen-Grass
4	25 086 47-S	4	Bolt-Shoulder
5	12 157 03-S	4	Fan
6	X-42-15-S	1	Key
7	236602-S	1	Connector-Rectifier, Regulator(3 contact)
8	12 403 01-S	1	Rectifier-Unregulated, 15 amp
9	X-22-11-S	2	Washer - Lock
10	M-639016-S	2	Screw-HF, M6x1.0x16
11	41 155 03-S	1	Connector
12	12 025 33-S	1	Flywheel
13	M-548025-S	2	Screw-HH M5x0.8x25
14	237878-S	1	Kit-Stator, 15 Amp
15	12 132 06-S	1	Spark Plug
16	X-728-1-S	2	Clip-Cable
17	M-545010-S	2	Screw-HF, M5x0.8x10
18	12 584 05-S	1	Module-Ignition
19	M-545020-S	2	Screw-HF, M5x0.8x20
*	25 518 05-S	1	Lead-Black, Rectifier/Regulator,(5"-14Gauge Uninsulated Push On

Ref. No.	Part No.	Qty.	Description
*	12 518 01-S	1	Tab Terminals) Lead-White, Ground To Kill, (19"-18 Gauge Fully Insulated Push On Tab and Uninsulated Push On Tab Terminals
*	25 518 12-S	1	Lead-Black,Ground, (5"-12Gauge-Insulated Grip Barrel Eyelet Terminals

\* Not illustrated  
Order Parts From Kohler

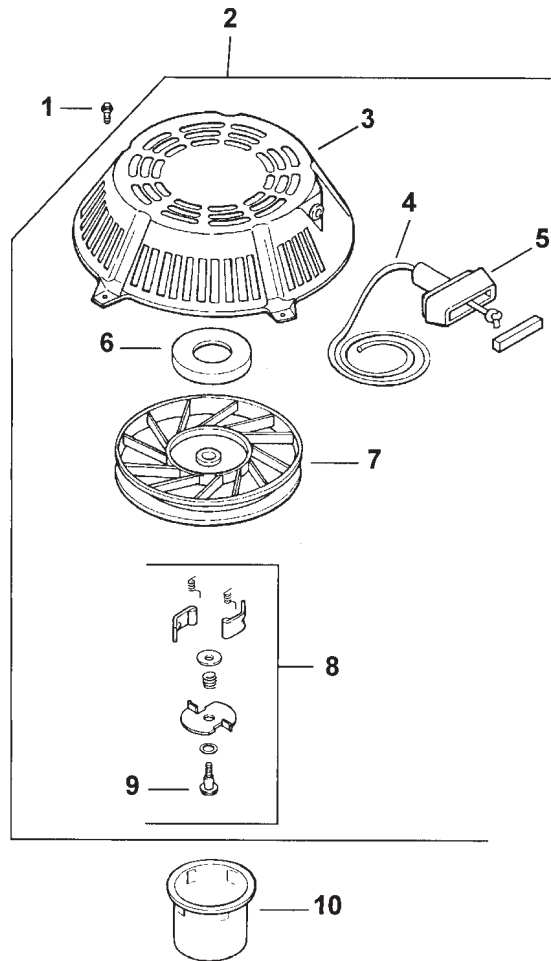


## Blower Housing And Baffles Assembly Kohler Model CV15T-41604

Ref. No.	Part No.	Qty.	Description
1	M-550010-S	6	Screw-HF, M5x0.8x10
2	12 096 29-S	1	Cover-Starter
3	12 027 68-S	1	Housing-Blower
4	12 063 10-S	1	Baffle-Intake, Side
5	12 063 08-S	1	Baffle-Cylinder Head
6	M-545010-S	9	Screw-HF, M5x0.8x10
7	12 313 03-S	1	Grommet-Spark Plug leads
8	12 063 19-S	1	Baffle-Cylinder
9	12 146 07-S	1	Plate-Blower Housing
*	12 146 21-S	1	Decal-Horsepower

Ref. No.	Part No.	Qty.	Description

\* Not illustrated  
Order Parts From Kohler



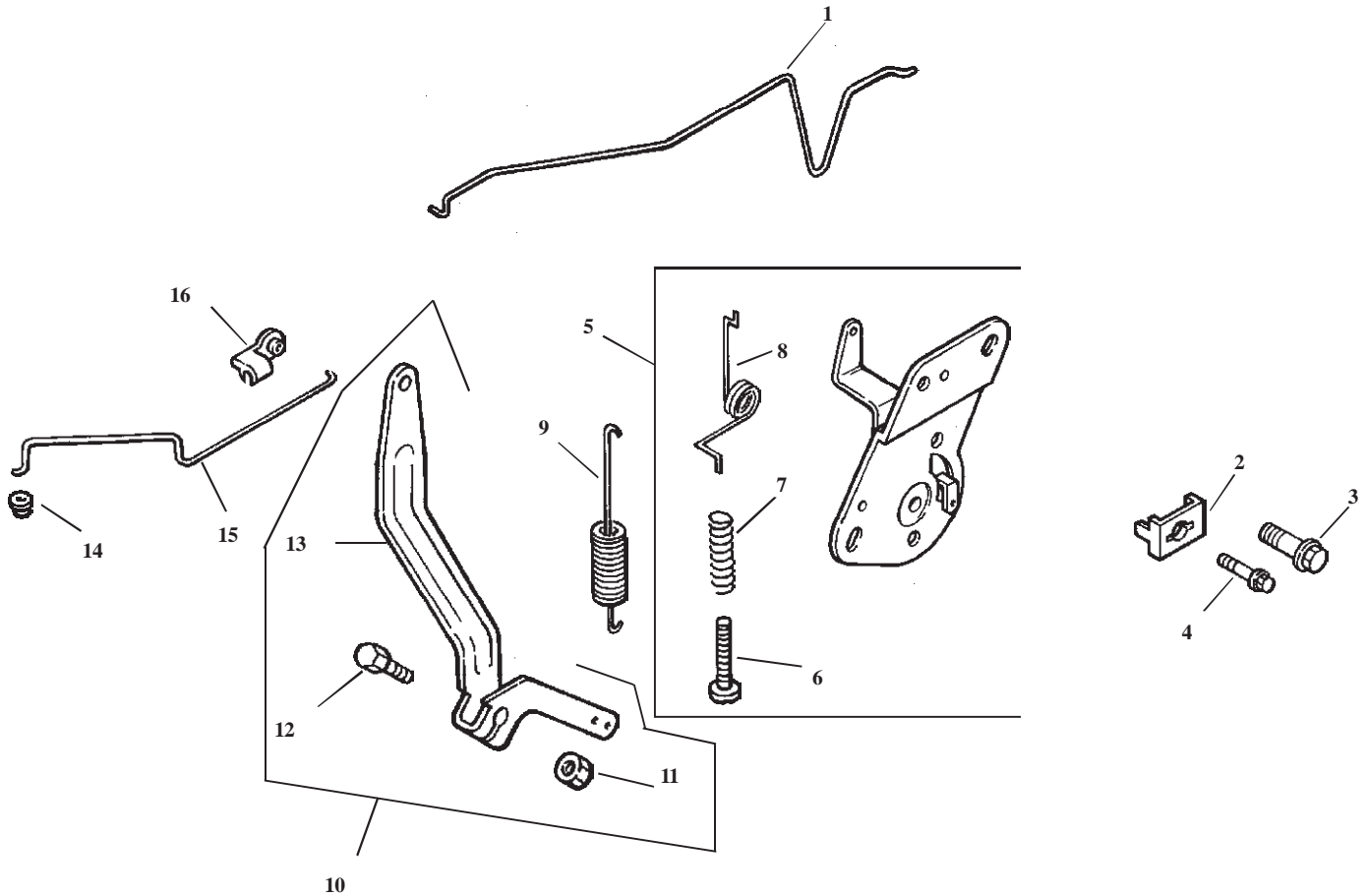
## Starter Assembly Kohler Model CV15T-41604

Ref. No.	Part No.	Qty.	Description
1	M-550010-S	5	Screw-HF, M5x0.8x10
2	12 165 01-S	1	Starter ASM Retractable (Incl. 3-9)
3	12 081 01-S	1	Housing-Starter
4	12 160 01-S	1	Rope-Starter
5	25 166 01-S	1	Handle-Recoil
6	12 089 06-S	1	Spring & Keeper
7	12 093 01-S	1	Pulley
8	12 757 06-S	1	Kit-Dog Repair (incl. 9)
9	41 086 09-S	1	Screw-Posidrive
10	15 109 01-S	1	Cup-Drive
*	12 113 07-S	1	Decal-Starting

Ref. No.	Part No.	Qty.	Description

\* Not illustrated  
Order Parts From Kohler





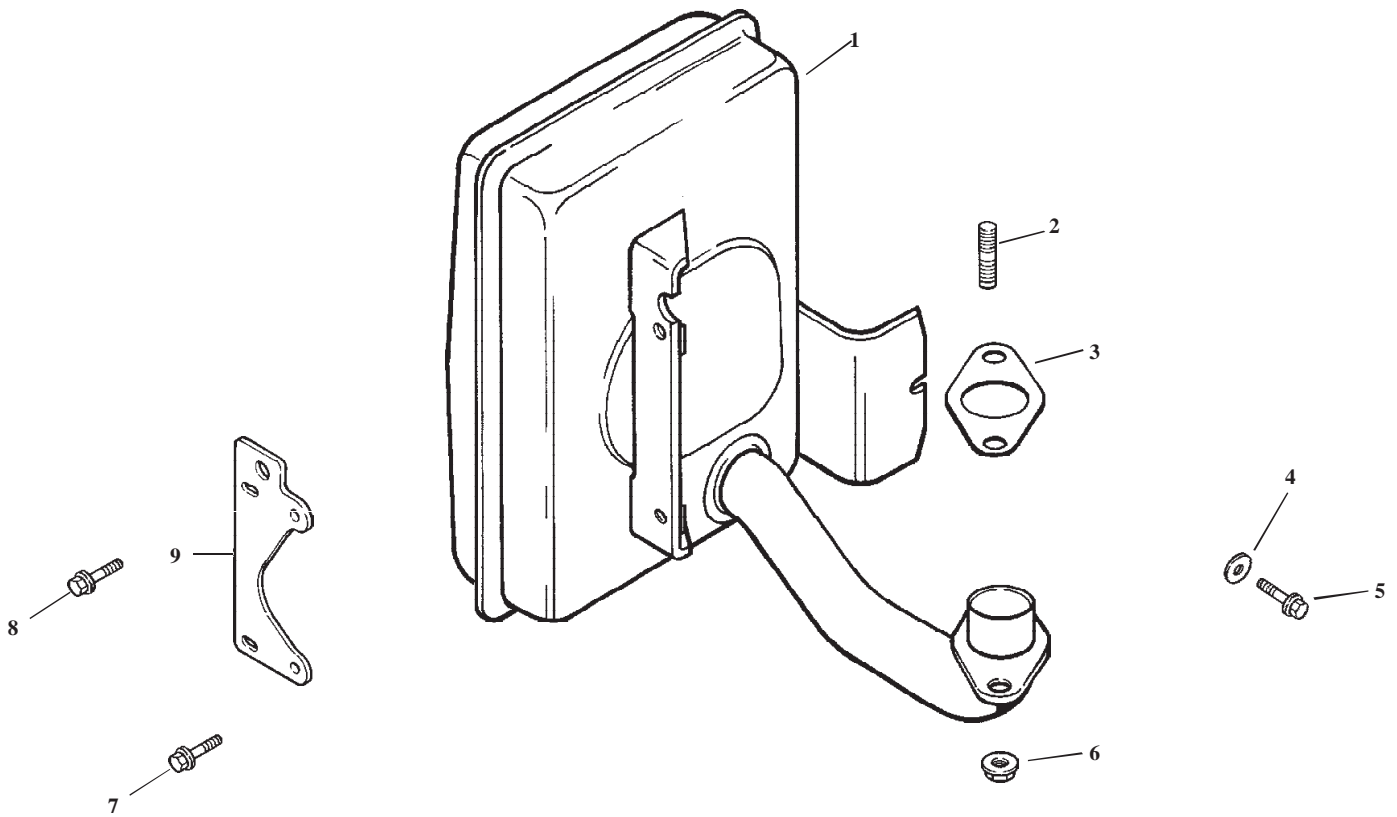
## Engine Controls Assembly Kohler Model CV15T-41604

Ref. No.	Part No.	Qty.	Description
1	12 079 07-S	1	Linkage-Choke
2	12 237 01-S	1	Clamp-Cable
3	M-664020-S	2	Screw-Lobed Socket M6x1.0x20
4	M-545016-S	1	Screw-HF M5x .08x16
5	12 536 01-S	1	Control-Speed ASM (Incl. 6-8)
6	M-443025-S	1	Screw-SPH, M4x0.7x25
7	12 089 11-S	1	Spring-Choke Adjustment
8	12 089 23-S	1	Spring-Choke Return
9	12 089 19-S	1	Spring-Governor
10	12 755 83-S	1	Kit - Governor Lever (Incl. 11-13)
11	12 100 07-S	1	Nut-HF
12	52 211 04-S	1	Bolt - Round HD
13	12 090 28-S	1	Lever-Governor
14	25 158 08-S	1	Bushing-Linkage Retaining
15	12 079 01-S	1	Linkage-Throttle
16	25 158 11-S	1	Bushing-Throttle Linkage

Ref. No.	Part No.	Qty.	Description

Order Parts From Kohler





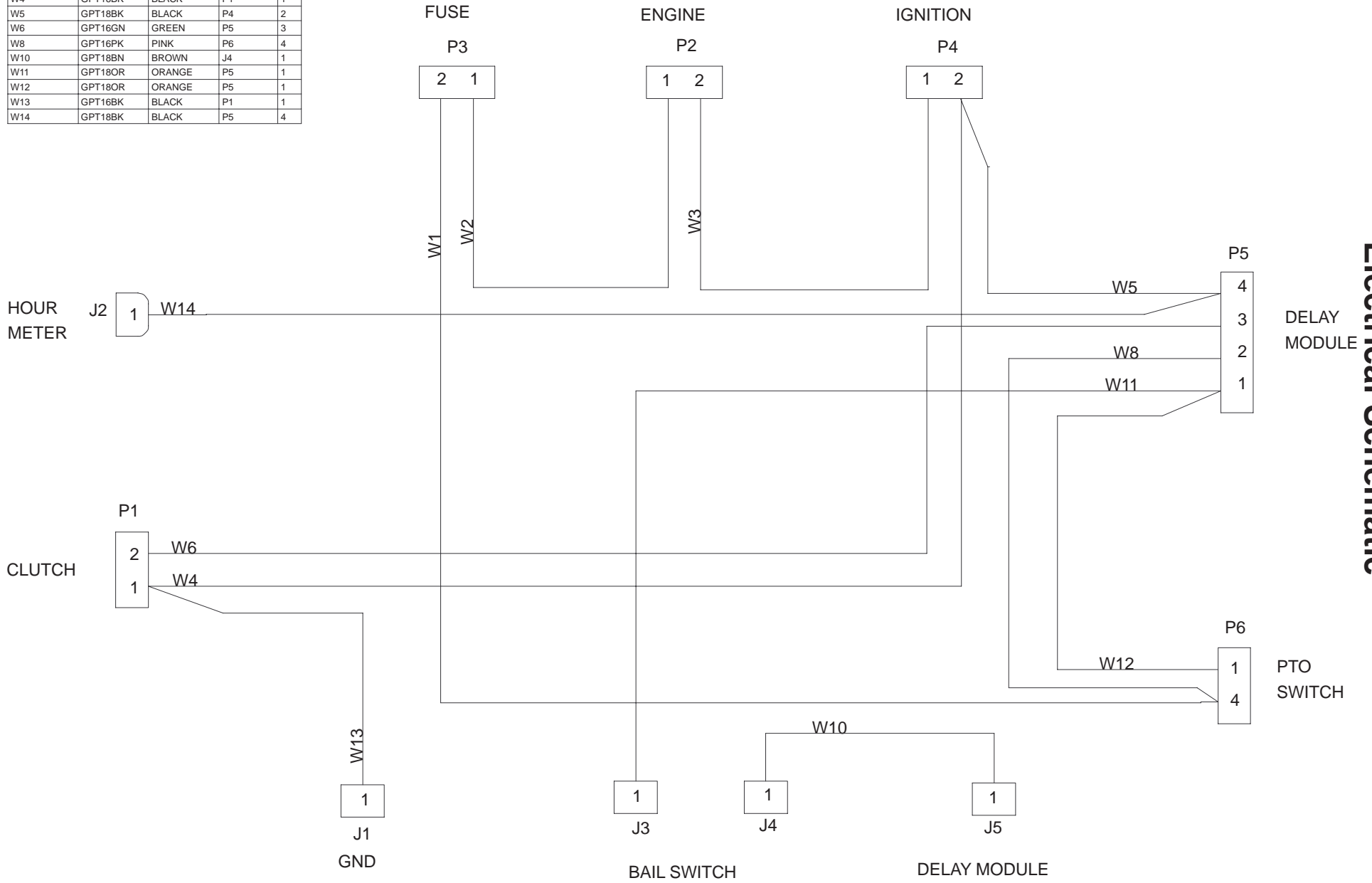
## Exhaust Assembly Kohler Model CV15T-41604

Ref. No.	Part No.	Qty.	Description
1	12 068 44-S	1	Muffler
2	25 072 04-S	2	Stud M8x1.25x33
3	12 041 03-S	1	Gasket-Exhaust Manifold
4	X-25-78-S	1	Washer-Plain, 1/4
5	M-545016-S	1	Screw-HF, M5x0.8x16
6	M-841080-S	2	Nut-HF, M8x1.25
7	M-645016-S	2	Screw-HF, M6x1.0x16
8	M-645025-S	2	Screw-HF, M6x1.0x25
9	12 126 71-S	1	Bracket-Muffler

Ref. No.	Part No.	Qty.	Description

Obtain Parts From Kohler

Name	AWG	COLOR	Component	Pin
W1	GPT16PK	PINK	P3	2
W2	GPT16PK	PINK	P3	1
W3	GPT16W	WHITE	P2	2
W4	GPT16BK	BLACK	P1	1
W5	GPT18BK	BLACK	P4	2
W6	GPT18GN	GREEN	P5	3
W8	GPT16PK	PINK	P6	4
W10	GPT18BN	BROWN	J4	1
W11	GPT18OR	ORANGE	P5	1
W12	GPT18OR	ORANGE	P5	1
W13	GPT16BK	BLACK	P1	1
W14	GPT18BK	BLACK	P5	4



**Electrical Schematic**



