



**Mid-Size Mower**  
**ProLine Gear with Side Discharge Mower**  
Model No. 30258—210000001 and Up

## Parts Catalog

### Ordering Replacement Parts

To order replacement parts, please supply: the part number, the quantity, and the description of each part desired.

### Understanding Reference Numbers

Each identified part in an illustration has a reference number. The reference number for a part also appears in the parts list, along with other information about the part.

This catalog uses two special reference number formats, one to indicate parts in a service assembly and another to indicate the quantity of a given part in an illustration.

### Service Assembly Reference Numbers

Parts in service assemblies have reference numbers in the form **a:b**. The **a** represents the reference number of the entire service assembly and the **b** represents a sequential number unique to each part within the service assembly.

For example, a wheel assembly might be identified by reference number **6**, the tire by **6:1**, the valve by **6:2**, and the wheel by **6:3**. When you order the assembly identified by reference number **6**, you receive all parts identified by reference numbers **6:1**, **6:2**, and **6:3**. However, you may also order any part individually.

Reference numbers of this type appear in illustrations and in part lists.

### Reference Numbers Indicating Quantity

In an illustration, if a reference number indicates more than one part, the reference number has the form **nX y**. The **n** represents the quantity of the part, the **X** is the multiplication symbol, and the **y** represents the reference number.

For example, in an illustration, the reference number **2X 37** means that two of the parts identified by reference number **37** are indicated.

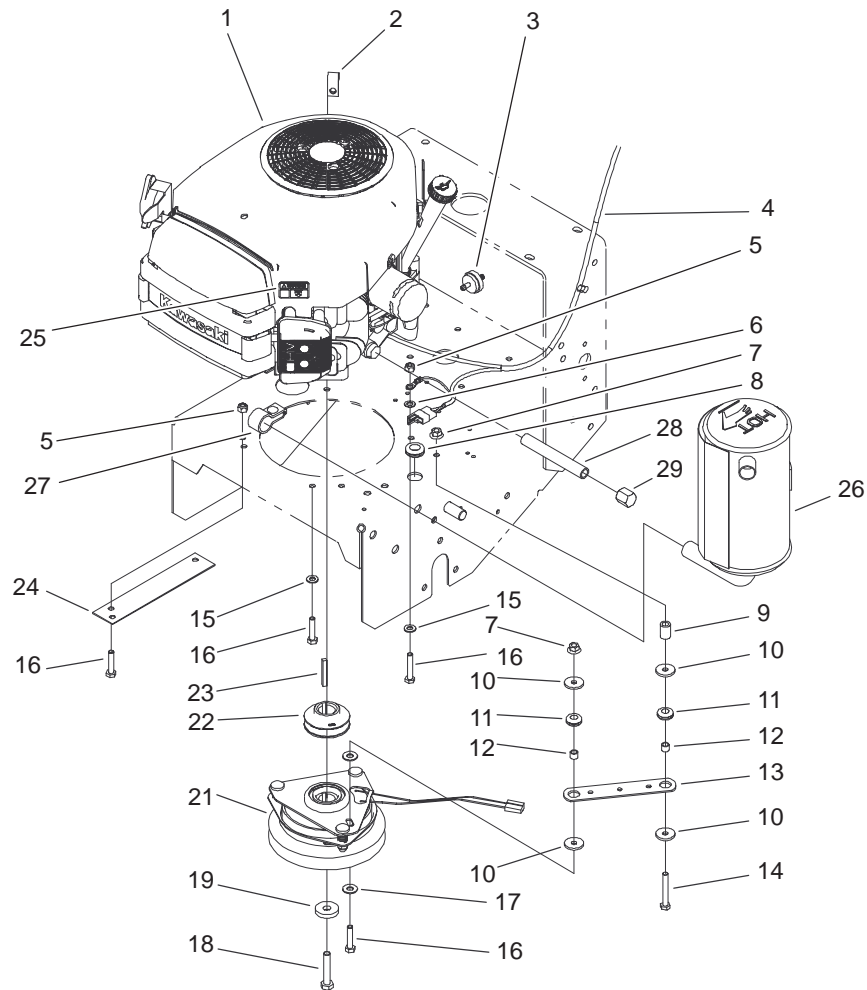
## Contents

Description	Page	Description	Page
Engine and Clutch Assembly .....	3	Lubrication-Equipment Assembly	
Clutch Assembly No. 54-3200 .....	4	Kawasaki FH451V-AS08 .....	21
Fuel Tank Assembly .....	5	Cooling-Equipment Assembly	
Lower Controls Assembly .....	6	Kawasaki FH451V-AS08 .....	22
Transmission and Drive System Assembly ....	7	Electric-Equipment Assembly	
Wheel Drive and Brake System Assembly ....	8	Kawasaki FH451V-AS08 .....	24
Handle Assembly .....	9	Control-Equipment Assembly	
Control Panel Assembly .....	10	Kawasaki FH451V-AS08 .....	26
Deck Assembly .....	11	Carburetor Assembly Kawasaki FH451V-AS08	28
Spindles, Idler Pulleys, and Belts Assembly ...	12	Air-Filter/Muffler Assembly	
Carrier Frame Assembly .....	15	Kawasaki FH451V-AS08 .....	30
Cylinder/Crankcase Assembly		Fuel-Tank/Fuel-Valve Assembly	
Kawasaki FH451V-AS08 .....	16	Kawasaki FH451V-AS08 .....	31
Valve/Camshaft Assembly		Starter	
Kawasaki FH451V-AS08 .....	18	Kawasaki FH451V-AS08 .....	32
Piston/Crankshaft Assembly		Starter/Decals	
Kawasaki FH451V-AS08 .....	20	Kawasaki FH451V-AS08 .....	33
		Electrical Schematic .....	34

## Part Description Abbreviations

Part descriptions in this catalog may include the following abbreviations.

Abbreviation	Meaning	Abbreviation	Meaning
AR .....	as required	HYD .....	hydraulic
ASM .....	assembly	INC .....	incorporated
CARR .....	carriage	LH .....	left hand
DEG .....	degrees	NI .....	nylon insert
FH .....	flat head	PPH .....	Phillips pan head
GA .....	gauge	PTH .....	Phillips truss head
HF .....	hex flange	PTO .....	power take off
HH .....	hex head	RH .....	right hand
HHF .....	hex head flange	SFH .....	slotted fillister head
HLH .....	hex lag head	SHH .....	slotted hex head
HJ .....	hex jam	SQH .....	square head
HOC .....	height-of-cut	SHWH .....	slotted hex washer head
HS .....	hex socket	SPH .....	slotted pan head
HSBH .....	hex socket button head	SRH .....	slotted round head
HSFH .....	hex socket flat head	STD .....	standard
HSH .....	hex socket head	TAP .....	self tapping
HWH .....	hex washer head	TTH .....	Torx truss head
HWHTF .....	hex washer head thread forming	WH .....	wing head

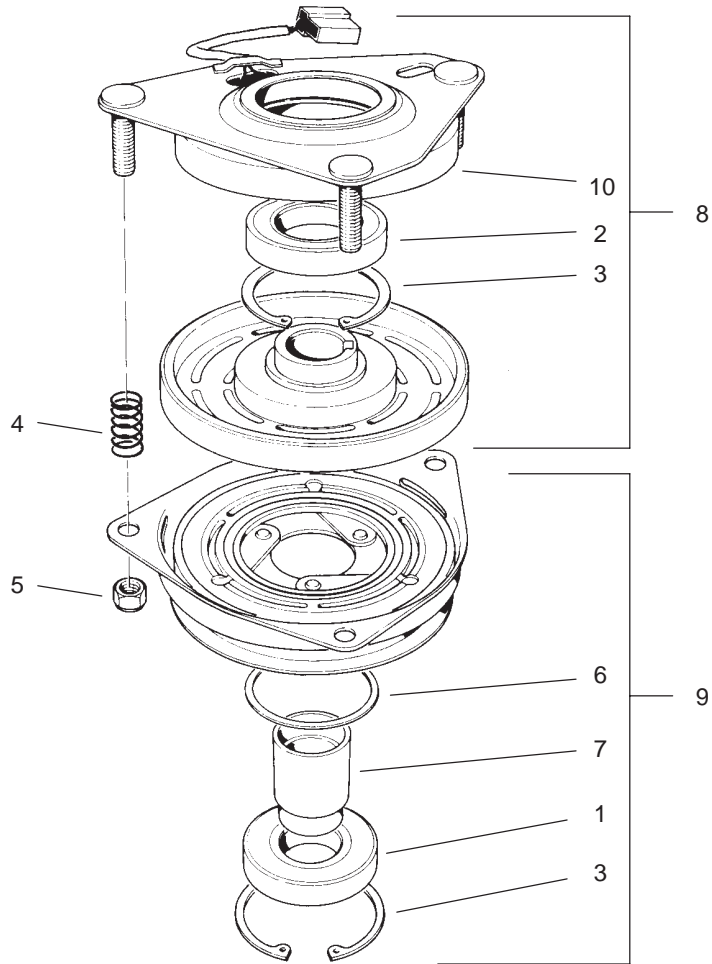


Sheet No.: 4

## Engine and Clutch Assembly

Ref. No.	Part No.	Qty.	Description
1		1	Engine-Kawasaki, Fh451v-As08
2	2412-87	1	Clamp-Cable
3	56-6360	1	Filter-Fuel
4	104-8137	1	Wire Harness
5	3296-29	4	Nut-Lock
6	3255-8	1	Washer-Lock/Ext
7	32128-20	2	Nut-HF
8	237-124	1	Grommet
9	104-6373	1	Tube - Retainer
10	1-613235	4	Washer
11	1-633630	2	Grommet-Brake
12	1-633545	2	Spacer-Grommet
13	1-633543	1	Strap,Clutch/Brake
14	322-11	1	Screw-HH
15	3256-23	2	Washer-Flat
16	322-7	5	Screw-HH
17	3256-3	2	Washer-Flat
18	3212-9	1	Screw-HH
19	112843	1	Washer
21	54-3200	1	Clutch/Brake
22	105-0827	1	Pulley-Drive
23	608006	1	Key
24	94-5847-01	1	Cover - Pulley
25	63-8440	1	Decal-Hot Surface
26	100-6467	1	Muffler

Ref. No.	Part No.	Qty.	Description
27	100-6468	1	Clamp-Muffler
28	289-19	1	Nipple
29	288-10	1	Cap-Pipe



Sheet No.: A1  
T-3726

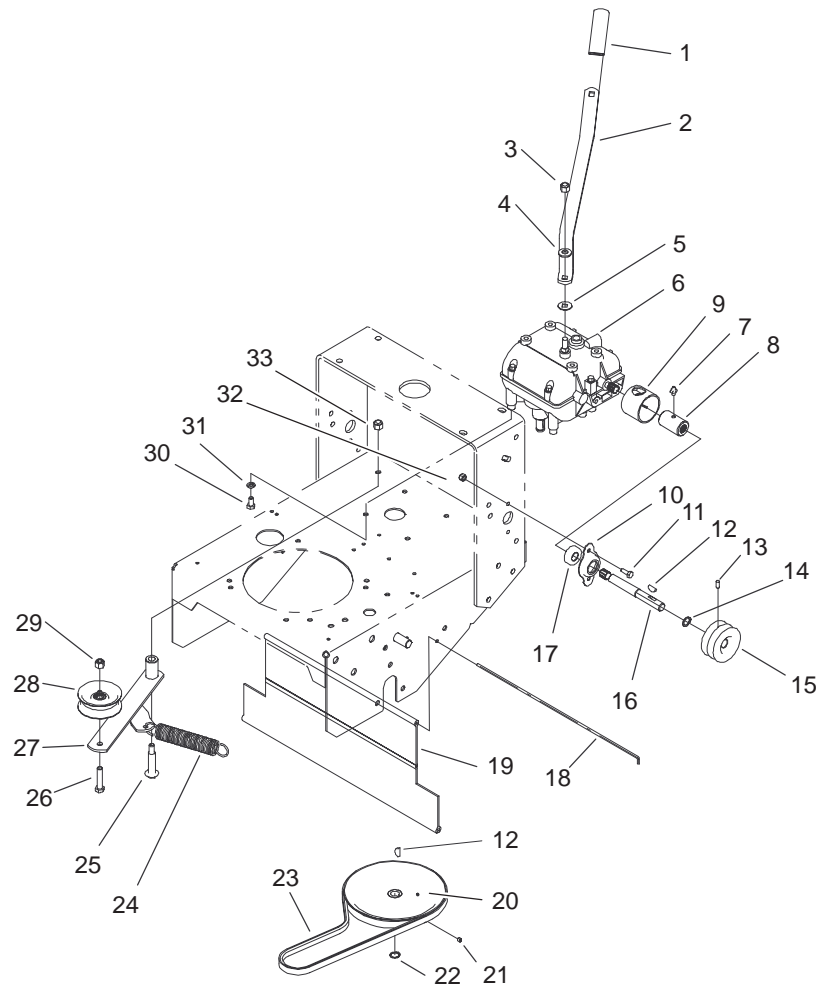
### Clutch Assembly No. 54-3200

Ref. No.	Part No.	Qty.	Description
1	251-291	1	Bearing-Pulley
2	251-292	1	Bearing-Field
3	44-8310	2	Ring-Retaining
4	44-8320	3	Spring
5	3296-6	3	Nut-Lock, NI
6	44-8330	1	Spacer-Pulley Bearing
7	44-8340	1	Collar-Bearing
8	44-8360	1	Field Coil-Rotor / Bearing ASM
9	44-8370	1	Armature / Pulley / Bearing ASM
10	54-0230	1	Field Bearing ASM

Ref. No.	Part No.	Qty.	Description



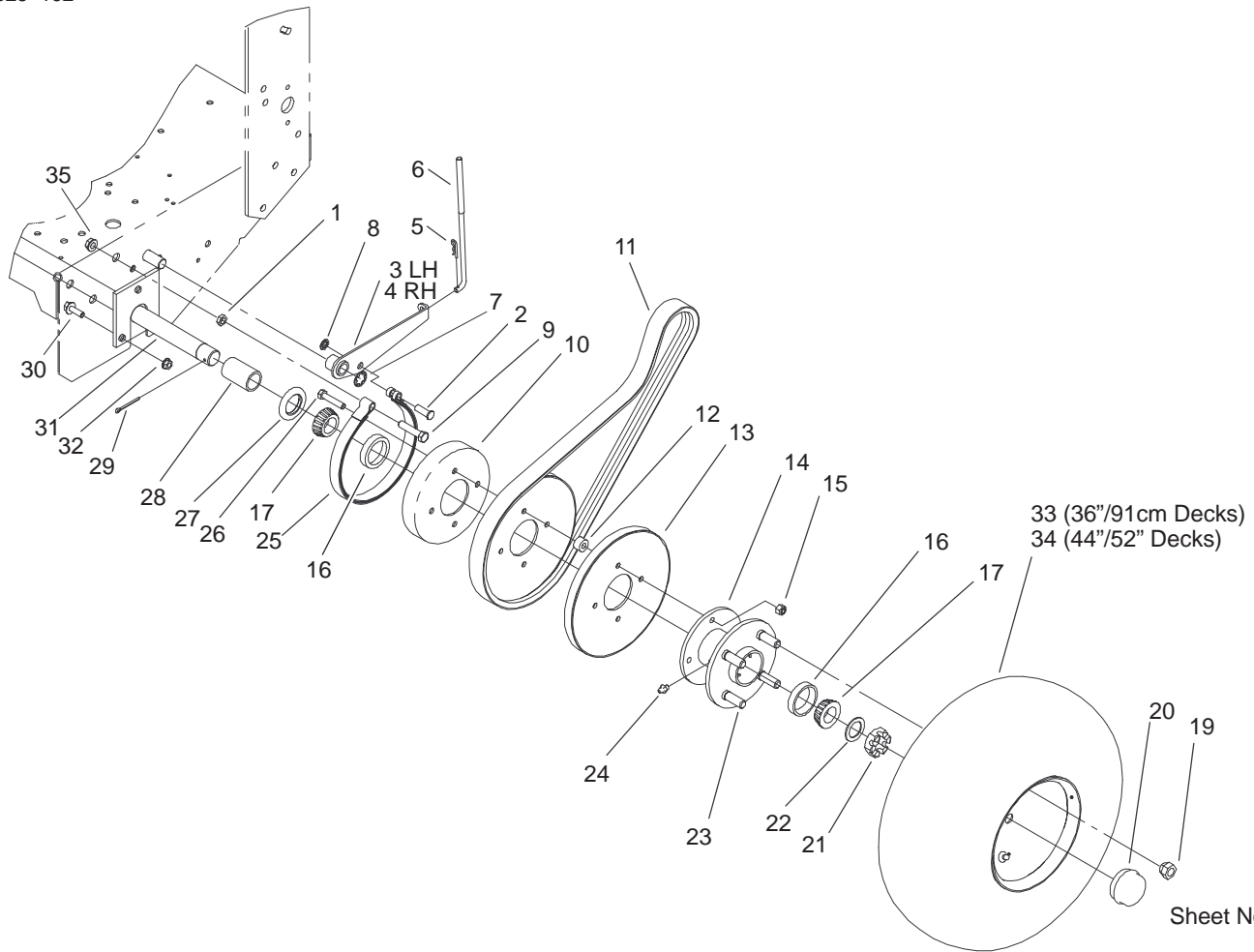




Sheet No.: 7

## Transmission and Drive System Assembly

Ref. No.	Part No.	Qty.	Description	Ref. No.	Part No.	Qty.	Description
1	47-1970	1	Grip-Engagement	26	323-9	1	Screw-HH
2	98-3274-03	1	Lever-Shift	27	16-7509	1	Lever-Idler
3	3296-6	1	Nut-Lock, NI	28	62-4540	1	Pulley
4	98-5975	1	Washer-Belleville	29	3296-39	1	Nut-Lock, NI
5	1-323379	1	Washer-Shifter Lever	30	322-2	4	Screw-HH
6	1-323500	1	Transmission, Peerless	31	3253-4	4	Washer-Lock
7	302-5	2	Fitting-Grease	32	3296-42	4	Nut-Lock, NI
8	98-0789	2	Coupler	33	3296-6	1	Nut-Lock, NI
9	51-4220	2	Guard-Coupler				
10	1-323254	2	Flange-Output				
11	321-4	4	Screw-HH				
12	3257-5	3	Key-Woodruff				
13	3245-9	2	Screw-Set				
14	32151-62	2	Ring-Retaining				
15	105-0828	2	Pulley-Transmission				
16	104-1102	2	Shaft-Output				
17	1-323252	2	Bearing-Shaft, Transmission				
18	95-1529	1	Rod-Shield				
19	95-1526	1	Shield-Trailing				
20	51-4190	1	Pulley-Driven				
21	3245-1	1	Screw-Set, HSH				
22	32120-64	1	Ring-Snap, External				
23	26-9671	1	V-Belt				
24	68-2190	1	Spring-Extension				
25	27-6230	1	Bolt-Wheel				



Sheet No.: 8

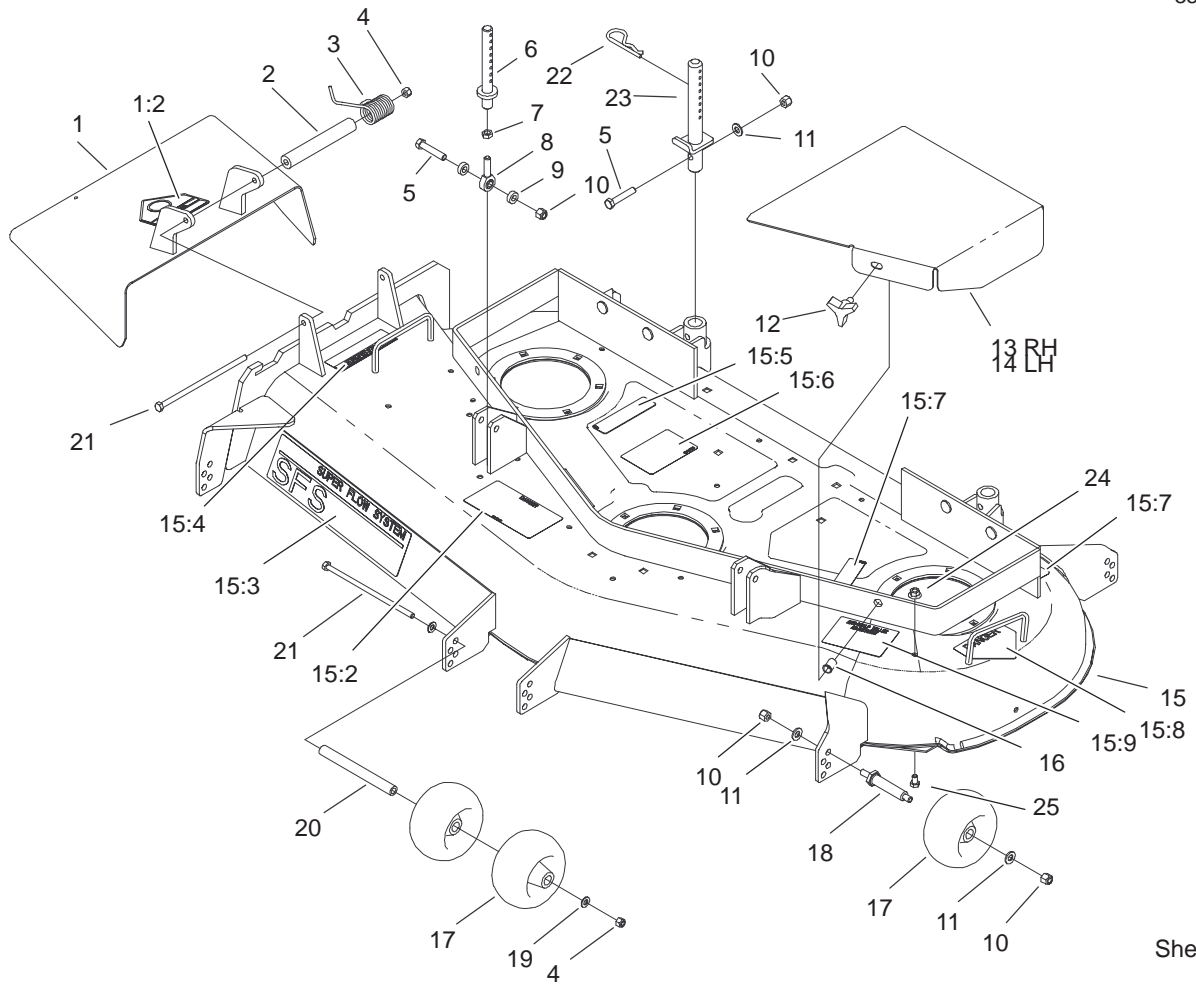
## Wheel Drive and Brake System Assembly

Ref. No.	Part No.	Qty.	Description
1	3218-3	2	Nut-Jam
2	1-323307	2	Pin - Clevis
3	51-4610-01	1	Arm-LH Brake
4	51-4600-01	1	Arm-RH Brake
5	3290-307	2	Pin-Hair
6	51-4580	2	Rod-Brake
7	32151-40	2	Ring-Retaining
8	32151-56	2	Ring-Retaining, Ext
9	323-9	2	Screw-HH
10	1-323261	2	Drum, Brake
11	104-8152	2	Belt-Traction Drive
12	51-4170	8	Spacer-Pulley
13	51-4160-03	4	Pulley-Wheel
14	1-413333	2	Hub, Wheel W/Cups
15	3296-29	8	Nut-Lock
16	254-72	4	Bearing-Taper/Cup
17	254-94	4	Bearing-Taper/Cone
19	242-50	8	Nut-Lug
20	241-119	2	Cap-Dust
21	1-809082	2	Nut, SHH
22	1-523157	2	Washer-Spacer
23	1-633926	8	Stud-Wheel
24	302-19	2	Fitting-Grease
25	1-323262	2	Band, Brake
26	322-8	8	Screw-HH
27	1-543511	2	Seal-Grease

Ref. No.	Part No.	Qty.	Description
28	104-1197	2	Spacer-Wheel
29	1-806800	2	Pin-Cotter
30	3234-11	6	Screw-HHF
31	104-1196-01	1	Axle ASM
32	32128-21	6	Nut-HF
34	104-1198	2	Wheel And Tire ASM
35	3290-357	2	Nut-Flange, Lock





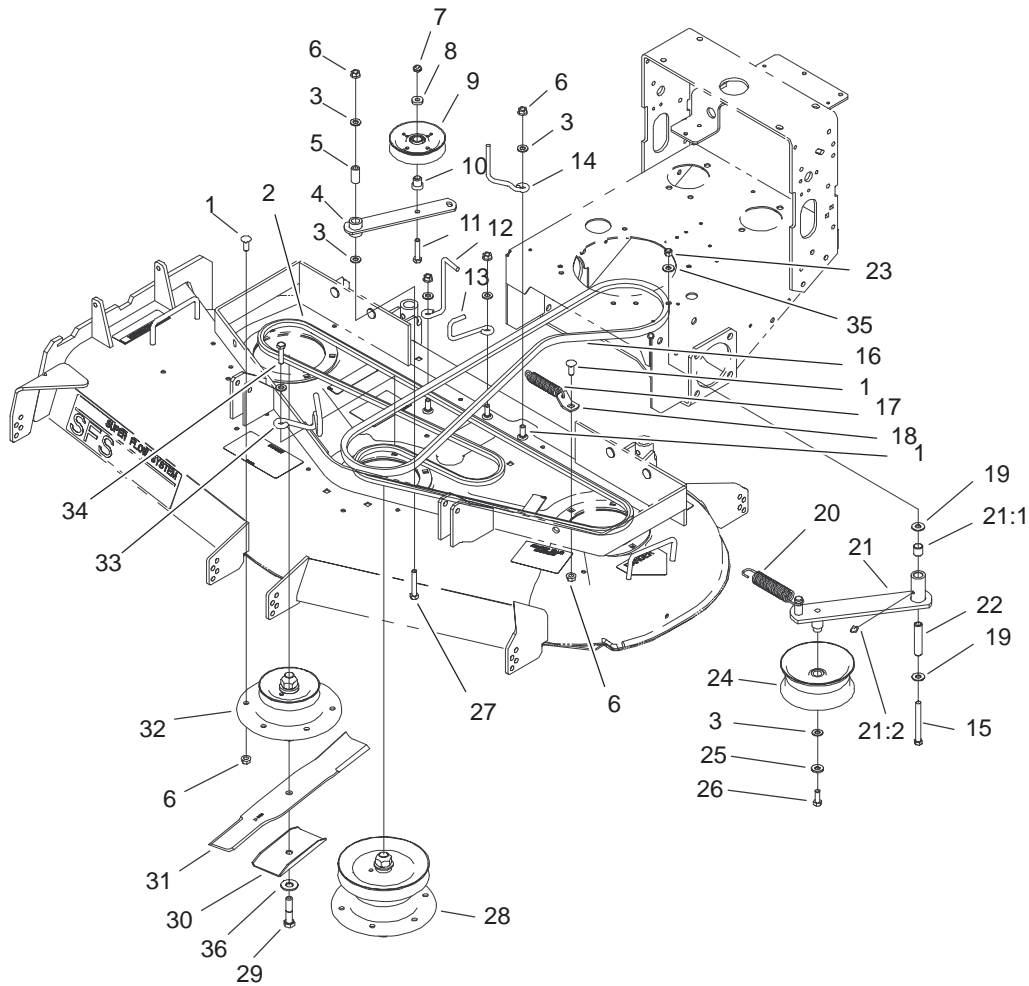


Sheet No.: 2

## Deck Assembly

Ref. No.	Part No.	Qty.	Description
1	104-7753	1	Deflector ASM
1:2	54-9220	1	Decal-Danger
2	104-8555	1	Spacer-Mounting, Deflector
3	104-8554	1	Spring-Torsion
4	3296-29	2	Nut-Lock
5	323-10	4	Screw-HH
6	105-0832	2	Link-Support
7	3220-3	2	Nut-Jam
8	1-613204	2	Balljoint
9	104-1156	4	Spacer
10	3296-39	12	Nut-Lock, NI
11	3256-24	10	Washer-Flat
12	104-8587	2	Knob
13	104-6389-01	1	Cover-Belt, Right
14	104-6388-01	1	Cover-Belt, Left
15	104-6394	1	Deck ASM
15:2	66-1340	1	Decal-Danger
15:3	98-5953	1	Decal-Sfs
15:4	104-8569	1	Decal-Deflector Warning
15:5	67-5360	3	Decal-Danger
15:6	104-8186	1	Decal-Belt Routing
15:7	68-8340	1	Decal-Torque
15:8	43-8480	1	Decal-Danger
15:9	105-0840	1	Decal-Anti Scalp

Ref. No.	Part No.	Qty.	Description
16	32148-10	2	Insert-Threaded
17	68-2730	6	Gage-Wheel
18	99-2842	4	Spacer-Wheel
19	3256-23	2	Washer-Flat
20	98-5967	1	Spacer - Wheel
21	322-50	2	Screw-Cap
22	3290-256	6	Pin-Hair
23	105-0831	2	Rod ASM
24	32128-20	7	Nut-HF
25	322-1	7	Screw-HH

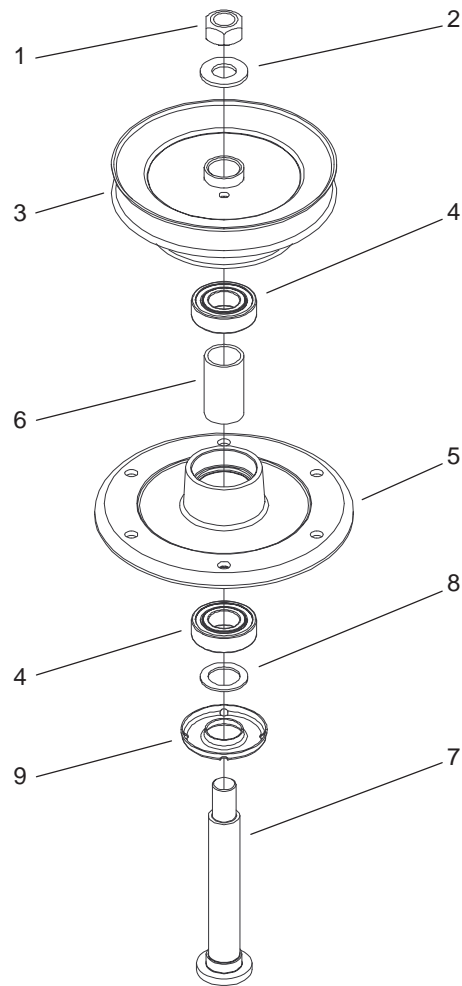


Sheet No.: 3

## Spindles, Idler Pulleys, and Belts Assembly

Ref. No.	Part No.	Qty.	Description
1	3231-22	19	Screw-CARR
2	104-6397	1	V-Belt, Deck
3	3256-24	7	Washer-Flat
4	104-6375	1	Idler Arm ASM
5	51-3640	1	Sleeve-Pivot, Idler
6	32128-21	21	Nut-HF
7	3296-5	1	Nut-Lock NI
8	7-0081	1	Washer-Flat
9	65-5940	1	Pulley-Idler
10	104-6379	1	Bushing-Pulley
11	3211-8	1	Screw-HH
12	98-5980	1	Guide - Belt
13	104-6396	1	Guide-Belt
14	52-4780	1	Rod-Belt
15	323-42	1	Screw-HH
16	104-6398	1	V-Belt, PTO
17	51-3650	1	Spring - Extension
18	104-6374	1	Plate - Spring
19	1-809107	2	Washer-Hardened
20	104-8161	1	Spring-Extension
21	104-6370	1	Idler Arm ASM
21:1	1-513034	2	Sleeve-Bearing
21:2	302-5	1	Fitting-Grease
22	104-6377	1	Tube - Idler
23	3296-39	1	Nut-Lock, NI
24	1-413099	1	Pulley-Idler

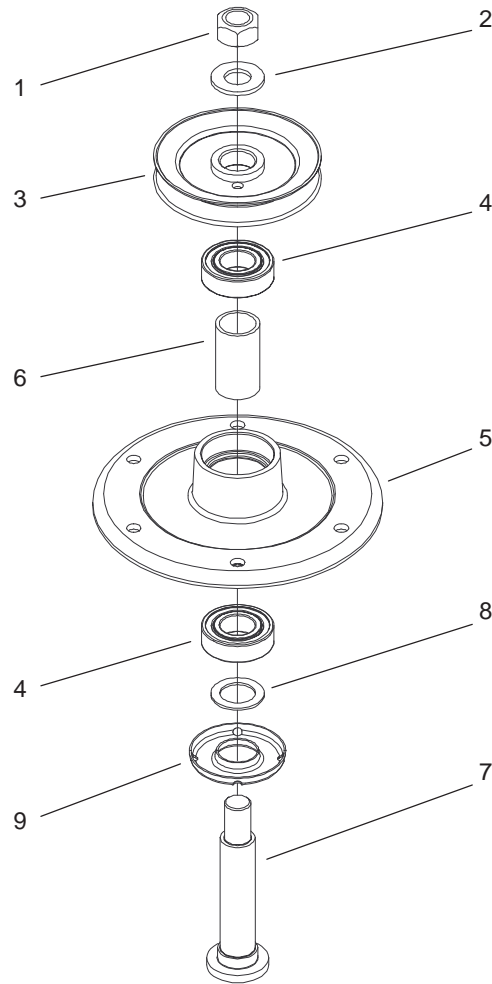
Ref. No.	Part No.	Qty.	Description
25	98-5975	1	Washer-Belleville
26	323-6	1	Screw-HH
27	323-11	1	Screw-HH
28	104-6315	1	Spindle Housing ASM
29	44-2200	3	Screw - Blade
30	92-9820	3	Stiffener - Blade
31	27-0990	3	Blade
32	104-6317	2	Spindle Housing ASM
33	105-0850	1	Guide-Belt
34	323-8	1	Screw-HH
35	3256-4	1	Washer-Flat
36	3256-6	3	Washer-Flat



Sheet No.: A1  
C-3011

## Spindle Housing Assembly No. 104-6315

Ref. No.	Part No.	Qty.	Description	Ref. No.	Part No.	Qty.	Description
1	3219-7	1	Nut-Hex				
2	7-4150	1	Washer-Pinion				
3	104-1117	1	Pulley And Hub ASM				
4	104-6325	2	Bearing				
5	104-6307	1	Spindle Housing				
6	104-6313	1	Spacer-Bearing				
7	104-6311	1	Shaft-Spindle				
8	88-7540	1	Washer - Backup				
9	79-1920	1	Shield-Bearing				

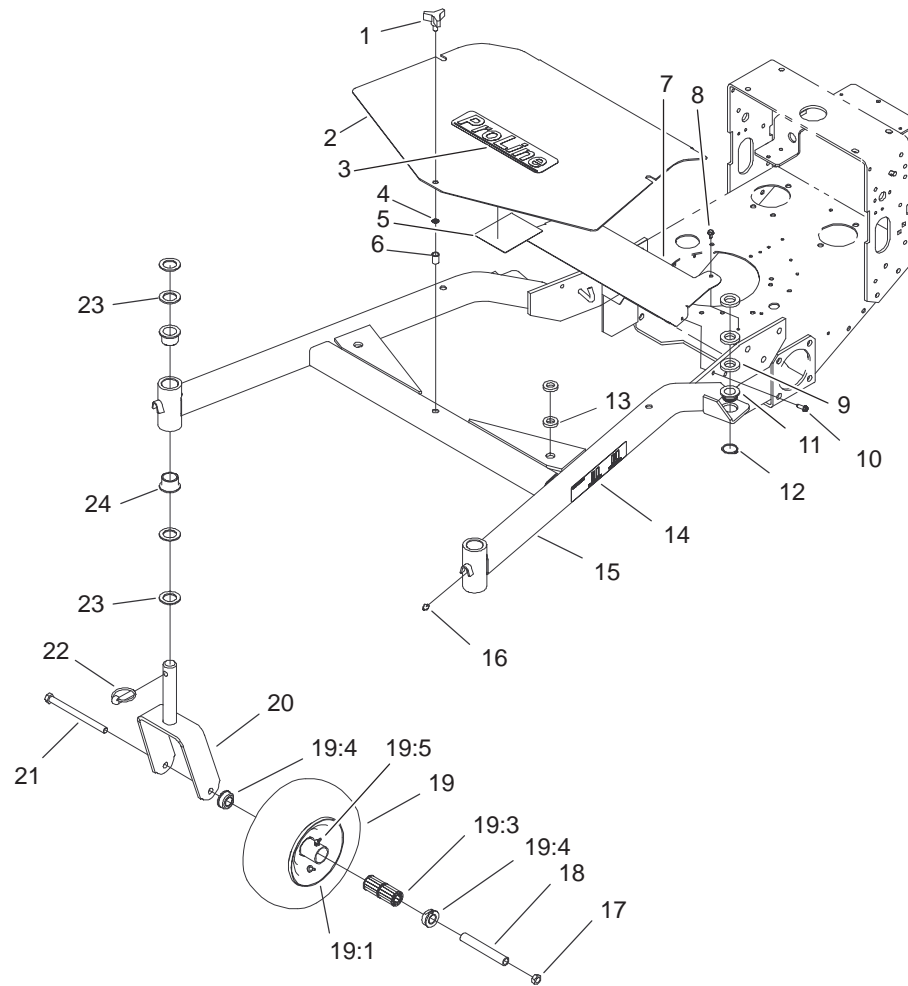


Sheet No.: A2  
C-3012

## Spindle Housing Assembly No. 104-6317

Ref. No.	Part No.	Qty.	Description
1	3219-7	1	Nut-Hex
2	7-4150	1	Washer-Pinion
3	104-1118	1	Pulley And Hub ASM
4	104-6325	2	Bearing
5	104-6307	1	Spindle Housing
6	104-6313	1	Spacer-Bearing
7	104-6310	1	Shaft-Spindle
8	88-7540	1	Washer - Backup
9	79-1920	1	Shield-Bearing

Ref. No.	Part No.	Qty.	Description

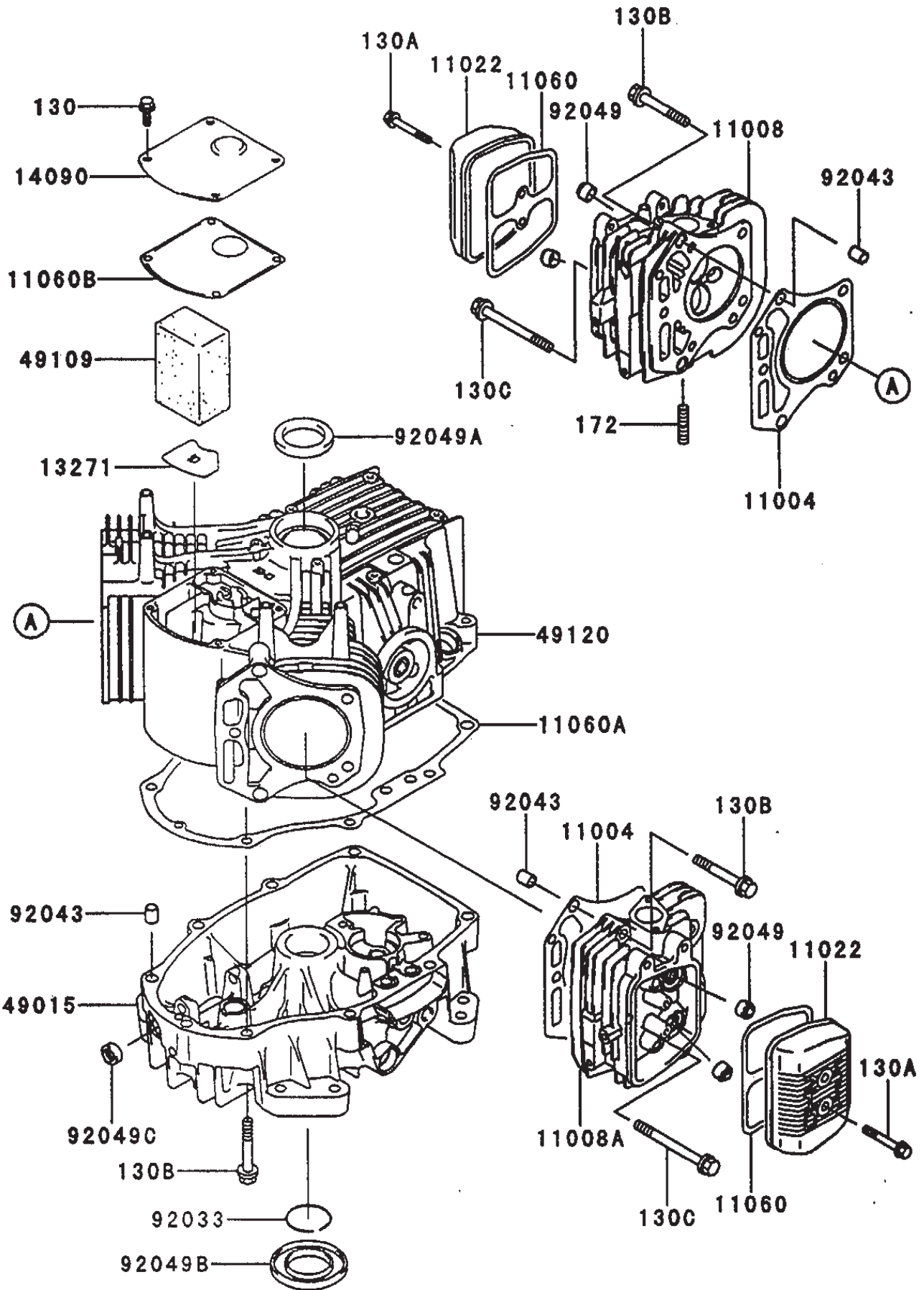


Sheet No.: 4

## Carrier Frame Assembly

Ref. No.	Part No.	Qty.	Description	Ref. No.	Part No.	Qty.	Description
1	104-8587	3	Knob	22	283-71	2	Pin-Lynch
2	104-8153-01	1	Cover-Carrier Frame	23	3-6781	8	Washer-Thrust
3	74-2080	1	Decal-Proline	24	94-1291	4	Bushing-Special
4	32151-72	1	Ring-Retaining				
5	104-8175	1	Decal-Service, Gear				
5	104-8173	1	Decal-Service, Hydro				
6	32148-9	3	Nut-Insert				
7	105-0845-01	1	Shield-Heat				
8	12-3270	2	Screw				
9	104-1105	6	Spacer-Deck Support				
10	49-2040	2	Screw-Tapping				
11	1-513336	2	Bushing - Deck				
12	32120-33	2	Ring-Retaining				
13	105-0842	4	Spacer				
14	104-8171	2	Decal-HOC				
15	104-1109-01	1	Carrier Frame ASM				
16	302-5	2	Fitting-Grease				
17	32153-5	2	Nut-Lock				
18	104-1189	2	Bushing-Spanner				
19	104-1170	2	Castor Wheel ASM				
19:1	104-1169	1	Tire And Tube ASM				
19:3	62-5570	2	Bearing-Roller				
19:4	62-5580	2	Bearing-Outside				
19:5	302-11	1	Fitting-Lube, 45°				
20	104-1183-01	2	Castor Fork ASM				
21	325-33	2	Screw-HH				

# Cylinder/Crankcase Assembly Kawasaki FH451V-AS08

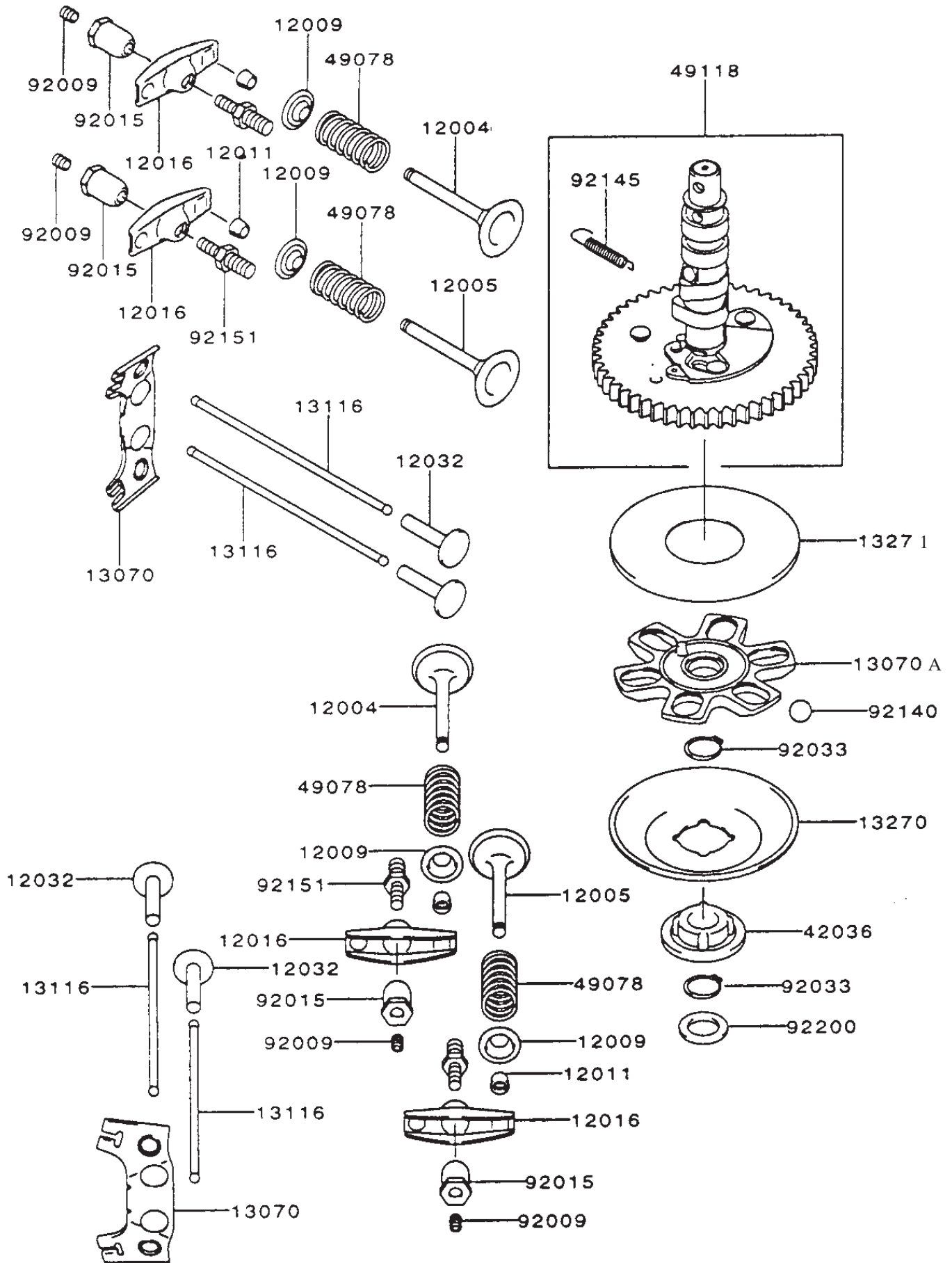


# Cylinder/Crankcase Assembly Kawasaki FH451V-AS08

Ref. No.	Part No.	Qty.	Description
11004	11004-7005	2	Gasket-Head
11008	11008-7005	1	Head-Comp-Cylinder No. 1
11008A	11008-7006	1	Head-Comp-Cylinder No. 2
11022	11022-7003	2	Case-Rocker
11060	11060-7001	2	Gasket, Rocker Case
11060A	11060-7008	1	Gasket, Crankcase Cover
11060B	11060-7015	1	Gasket, Breather
14090	14090-7001	1	Cover, Breather
49015	49015-6223	1	Cover-Crankcase
49109	49109-7002	1	Element-Breather
49120	49120-6119	1	Crankcase-Comp
92033	92033-7003	1	Ring-Snap
92043	92043-7001	6	Pin
92049	92049-7001	4	Seal-Oil
92049A	92049-7002	1	Seal-Oil
92049B	92049-7004	1	Seal-Oil
92049C	92049-7005	1	Seal-Oil
130	130B0612	4	Bolt-Flanged
130A	130B0640	4	Bolt-Flanged
130B	130T0850	17	Bolt-Flanged
130C	130T0875	2	Bolt-Flanged
172	172G0818	4	Bolt-Stud
13271	13271-7016	1	Plate

Ref. No.	Part No.	Qty.	Description

# Valve/Camshaft Assembly Kawasaki FH451V-AS08



# Valve/Camshaft Assembly Kawasaki FH451V-AS08

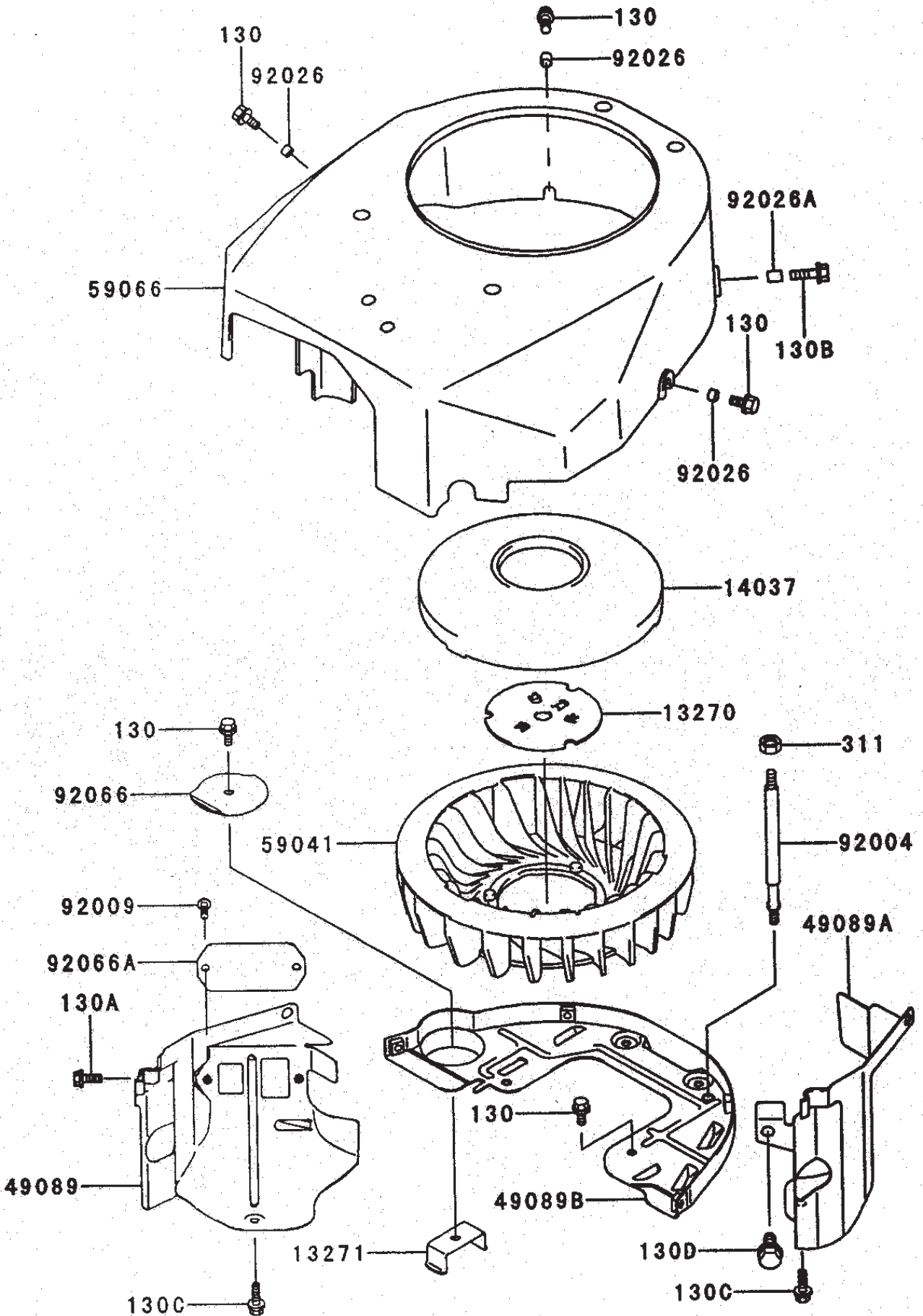
Ref. No.	Part No.	Qty.	Description
12004	12004-7001	2	Valve-Intake
12005	12005-7001	2	Valve-Exhaust
12009	12009-7001	4	Retainer-Valve Spring
12011	12011-2056	8	Collet
12016	12016-7001	4	Arm-Rocker
12032	12032-7001	4	Tappet
13070	13070-7001	2	Guide
13070A	13070-7004	1	Guide
13116	13116-2057	4	Rod-Push
13270	13270-7002	1	Plate
13271	13271-7007	1	Plate
42036	42036-7001	1	Sleeve
49078	49078-7001	4	Spring-Engine Valve
49118	49118-7002	1	Camshaft-Comp
92009	92009-2341	4	Screw
92015	92015-2253	4	Nut
92033	92033-7001	2	Ring-Snap
92140	92140-7002	6	Ball
92145	92145-7001	1	Spring
92151	92151-7001	4	Bolt
92200	92200-7001	1	Washer

Ref. No.	Part No.	Qty.	Description





# Cooling-Equipment Assembly Kawasaki FH451V-AS08

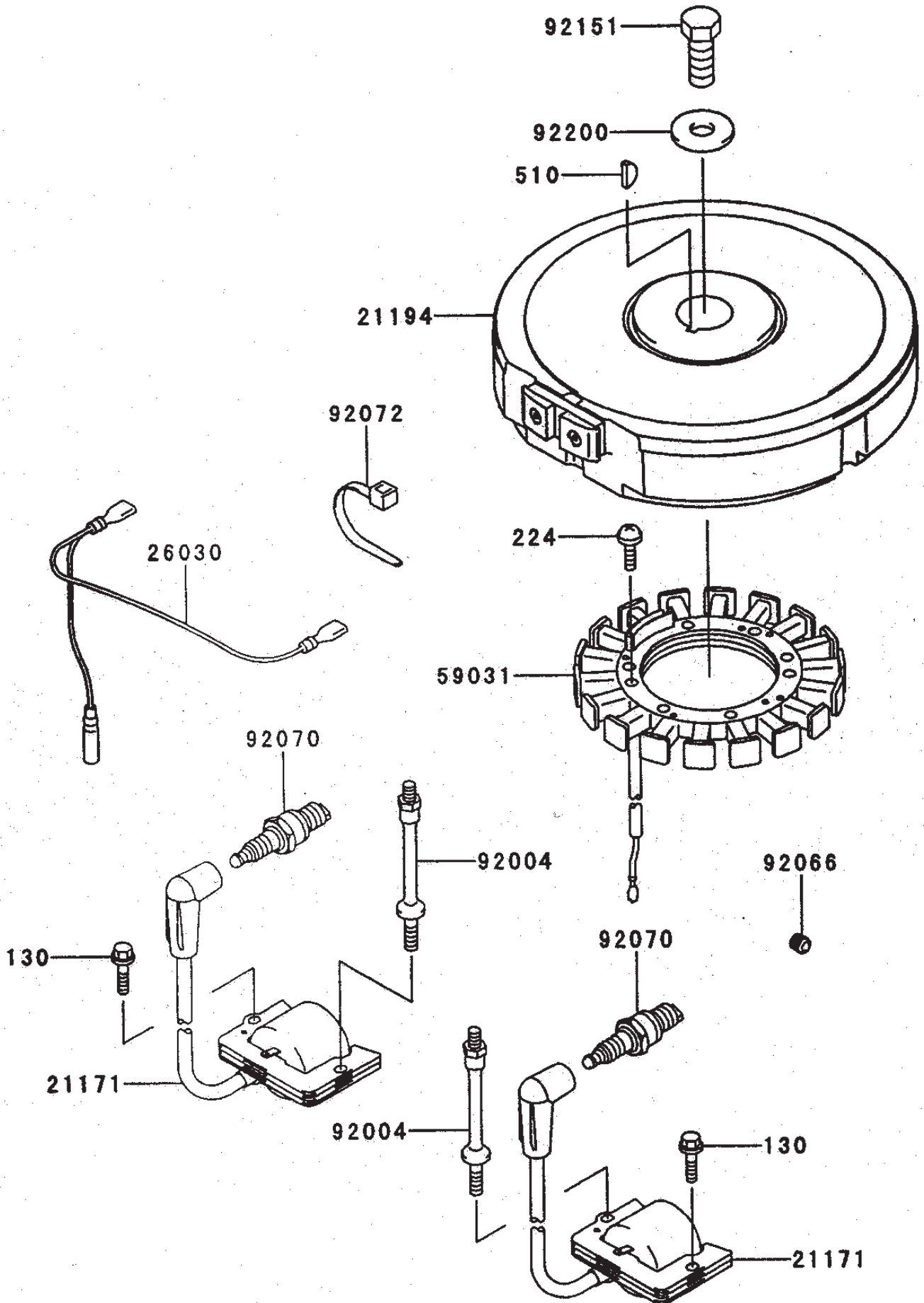


# Cooling-Equipment Assembly Kawasaki FH451V-AS08

Ref. No.	Part No.	Qty.	Description
130	130B0612	6	Bolt-Flanged
130A	130B0616	2	Bolt-Flanged
130B	130B0620	1	Bolt-Flanged
130C	130B0625	2	Bolt-Flanged
130D	130B0816	1	Bolt-Flanged
13270	13270-7007	1	Plate
13271	13271-7002	1	Plate
14037	14037-7006-9H	1	Screen
311	311B0600	2	Nut-Hex
49089	49089-7001	1	Shroud-Engine
49089A	49089-7002	1	Shroud-Engine
49089B	49089-7003	1	Shroud-Engine
59041	59041-7001	1	Fan
59066	59066-7002	1	Housing-Fan
92004	92004-7006	2	Stud
92009	92009-2308	2	Screw
92026	92026-7001	3	Spacer, 6.2x7.9x5
92026A	92026-7003	1	Spacer, 6.5x7.9x10.5
92066	92066-7004	1	Plug
92066A	92066-7005	1	Plug

Ref. No.	Part No.	Qty.	Description

# Electric-Equipment Assembly Kawasaki FH451V-AS08

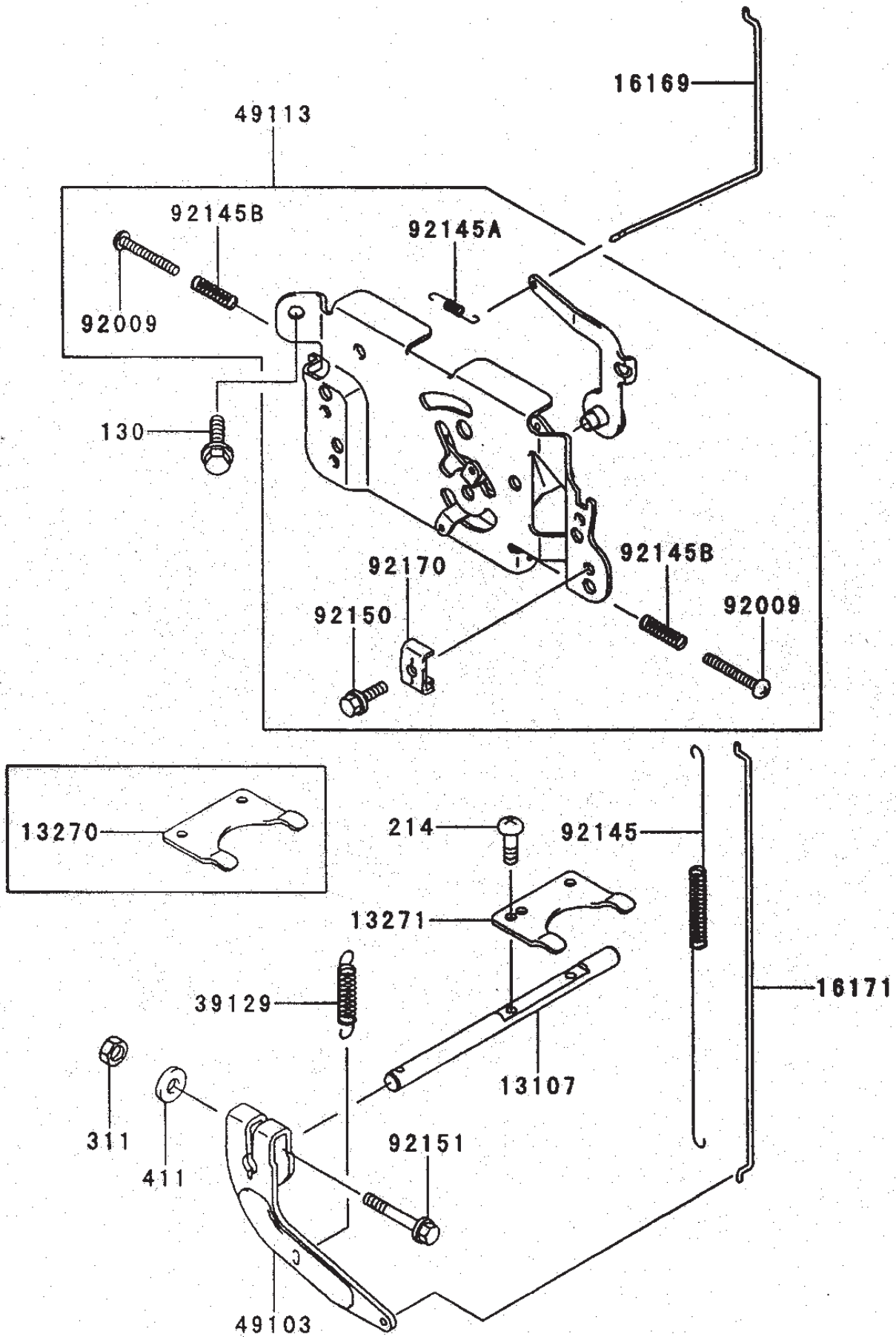


# Electric-Equipment Assembly Kawasaki FH451V-AS08

Ref. No.	Part No.	Qty.	Description
21171	21171-7001	2	Coil-Assy-Ignition
21194	21194-7001	1	Flywheel-Comp
26030	26030-7001	1	Harness
59031	59031-7002	1	Coil-Charging
92004	92004-2147	2	Stud
92066	92066-7002	1	Plug
92070	92070-7003	2	Plug-Spark (RCJ8Y)
92072	92072-7003	2	Band
92151	92151-2097	1	Bolt, 12x30
92220	92220-7002	1	Washer
130	130B0620	2	Bolt-Flanged
224	224B0520	4	Screw-Pan-WP-Cros
510	510A5100	1	Key-Woodruff

Ref. No.	Part No.	Qty.	Description

# Control-Equipment Assembly Kawasaki FH451V-AS08

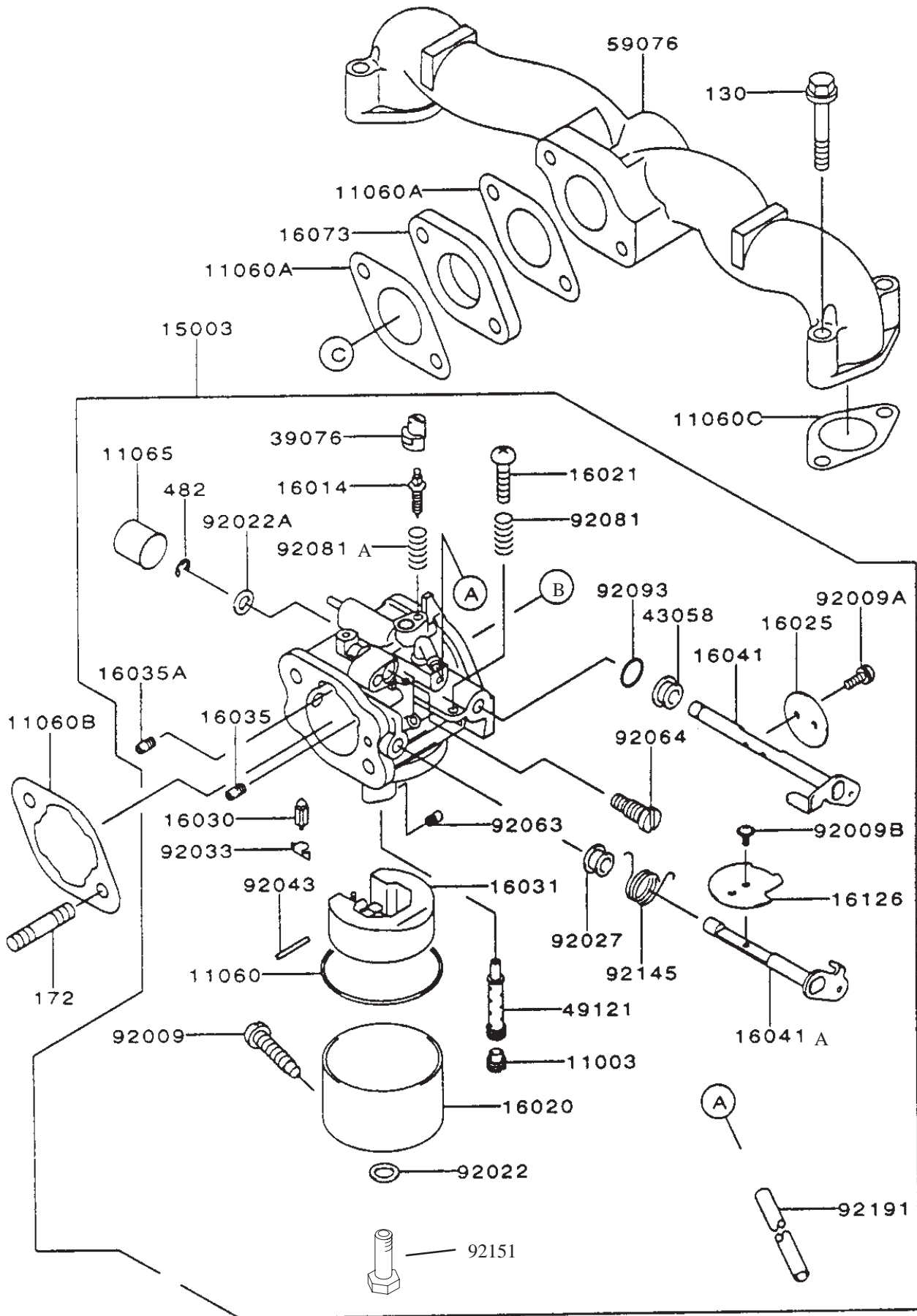


# Control-Equipment Assembly Kawasaki FH451V-AS08

Ref. No.	Part No.	Qty.	Description
13107	13107-7002	1	Shaft
13270	13270-7006	1	Plate
13271	13271-7018	1	Plate
16169	16169-7001	1	Link-Choke
16171	16171-7001	1	Link
39129	39129-7003	1	Spring-Governor
49103	49103-7002	1	Arm-Governor
49113	49113-7005	1	Panel-Comp-Control
92009	92009-7002	2	Screw, 4x30
92145	92145-7003	1	Spring
92145A	92145-7004	1	Spring
92145B	92145-7005	1	Spring
92150	92150-2182	1	Bolt, 5x18
92151	92151-7006	1	Bolt, 6x30
92170	92170-7001	1	Clamp
130	130B0612	2	Bolt-Flanged
214	214B0408	2	Screw-Pan
311	311B0600	1	Nut-Hex
411	411B0600	1	Washer-Plain

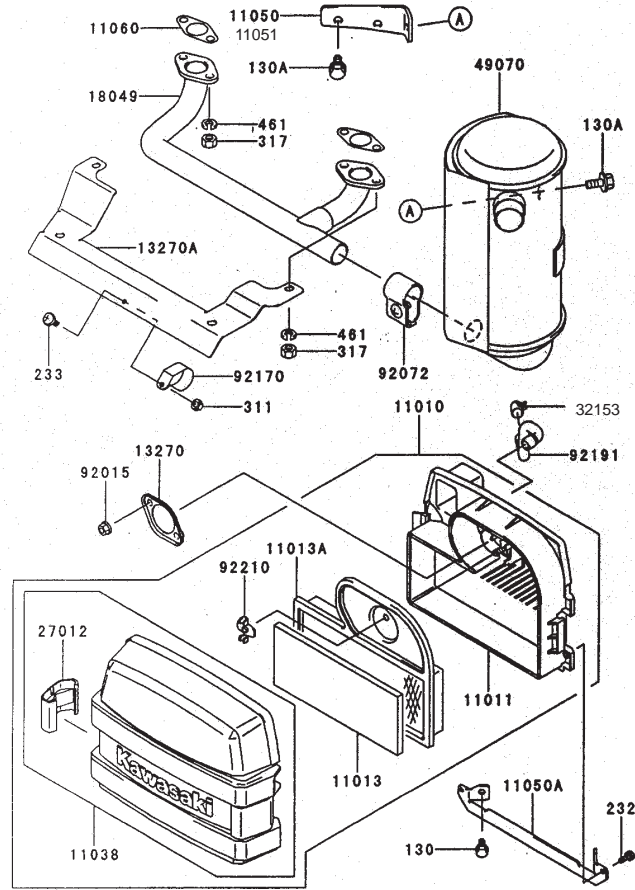
Ref. No.	Part No.	Qty.	Description

# Carburetor Assembly Kawasaki FH451V-AS08



# Carburetor Assembly Kawasaki FH451V-AS08

Ref. No.	Part No.	Qty.	Description	Ref. No.	Part No.	Qty.	Description
11003	11003-2105	1	Seat-Valve				
11060	11060-2406	1	Gasket				
11060A	11060-7003	2	Gasket, Insulator				
11060B	11060-7004	1	Gasket, Air Filter				
11060C	11060-7005	2	Gasket				
11065	11065-2061	1	Cap				
15003	15003-7017	1	Carburetor-Assy				
16014	16014-2080	1	Screw-Pilot Air				
16020	16020-2141	1	Chamber-Float				
16021	16021-2060	1	Screw-Throttlestop				
16025	16025-2193	1	Valve-Throttle, #130				
16030	16030-2067	1	Valve-Float				
16031	16031-2066	1	Float				
16035	16035-2060	1	Jet-Air, #1.7				
16035A	16035-2061	1	Jet-Air, #1.2				
16041	16041-7005	1	Shaft-Carburetor, Choke				
16041A	16041-7006	1	Shaft-Carburetor Throttle				
16073	16073-7001	1	Insulator				
16126	16126-7007	1	Valve				
39076	39076-2053	1	Limiter				
43058	43058-3716	1	Ring				
49121	49121-2222	1	Nozzle-Main				
59076	59076-7001	1	Manifold-Intake				
92009	92009-2015	1	Screw				
92009A	92009-2024	2	Screw				
92009B	92009-2081	2	Screw				
92022	92022-2231	1	Washer				
92022A	92022-2239	1	Washer				
92027	92027-2025	1	Collar				
92033	92033-2067	1	Ring-Snap				
92043	92043-2226	1	Pin				
92063	92063-2358	1	Jet-Main				
92064	92064-2125	1	Jet-Pilot				
92081	92081-2009	1	Spring				
92081A	92081-2256	1	Spring				
92093	92093-2002	1	Seal				
92145	92145-2061	1	Spring				
92151	92151-2092	1	Bolt				
92191	92191-7008	1	Tube				
130	130B0635	4	Bolt-Flanged				
172	172G0685	2	Bolt-Stud				
482	482L4000	1	Circlip-Type-E				



## Air-Filter/Muffler Assembly Kawasaki FH451V-AS08

Ref. No.	Part No.	Qty.	Description
11010	11010-7001	1	Filter-Assy-Air
11011	11011-7001	1	Case-Air Filter
11013	11013-7001	1	Element-Air Filter
11013A	11013-7002	1	Element-Air Filter
11038	11038-7001	1	Case-Assy-Air Filter
11050	11050-7004	1	Bracket
11050A	11050-7006	1	Bracket
11051	11051-7005-9H	1	Bracket
11060	11060-7021	2	Gasket, Muffler
13270	13270-7001	1	Plate
13270A	13270-7008	1	Plate
18049	18049-7001	1	Pipe-Exhaust
27012	27012-7001	2	Hook, Air Filter
32153	32153-7001	1	Pipe
49070	49070-7002	1	Muffler-Comp
92072	92072-7002	1	Band
92015	92015-1193	2	Nut
92170	92170-7002	1	Clamp
92191	92191-7001	1	Tube
92210	92210-7004	1	Nut
130	130B0612	2	Bolt-Flanged
130A	130B0816	2	Bolt-Flanged
232	232B0514	2	Screw-Pan-WS
233	233B0416	1	Screw-Pan WP
311	311B0400	1	Nut-Hex
317	317R0800	4	Nut-Hex-Small

Ref. No.	Part No.	Qty.	Description
461	461F0800	4	Washer-Spring





56080A



56033



56080



### Starter/Decals – Kawasaki FH451V-AS08

Ref. No.	Part No.	Qty.	Description
56033	56033-7001	1	Label-Manual
56080	56080-2077	1	Label-Brand
56080A	56080-7010	1	Label-Brand

Ref. No.	Part No.	Qty.	Description

# Electrical Schematic

Name	AWG	COLOR	Component	Pin
W1	GPT16PK	PINK	P3	2
W4	GPT16BK	BLACK	P1	1
W5	GPT18BK	BLACK	P4	2
W6	GPT16GN	GREEN	P5	3
W8	GPT16PK	PINK	P6	4
W10	GPT18BN	BROWN	J4	1
W11	GPT18OR	ORANGE	P5	1
W12	GPT18OR	ORANGE	P5	1
W13	GPT16BK	BLACK	P1	1
W14	GPT16PK	PINK	J3	1
W15	GPT16W	WHITE	J7	1
W16	GPT18BK	BLACK	P5	4

