



## Mid-Size Mower

### ProLine Hydro with 44" Side Discharge Mower

Model No. 30291—210000001 and Up

## Parts Catalog

### Ordering Replacement Parts

To order replacement parts, please supply: the part number, the quantity, and the description of each part desired.

### Understanding Reference Numbers

Each identified part in an illustration has a reference number. The reference number for a part also appears in the parts list, along with other information about the part.

This catalog uses two special reference number formats, one to indicate parts in a service assembly and another to indicate the quantity of a given part in an illustration.

### Service Assembly Reference Numbers

Parts in service assemblies have reference numbers in the form **a:b**. The **a** represents the reference number of the entire service assembly and the **b** represents a sequential number unique to each part within the service assembly.

For example, a wheel assembly might be identified by reference number **6**, the tire by **6:1**, the valve by **6:2**, and the wheel by **6:3**. When you order the assembly identified by reference number **6**, you receive all parts identified by reference numbers **6:1**, **6:2**, and **6:3**. However, you may also order any part individually.

Reference numbers of this type appear in illustrations and in part lists.

### Reference Numbers Indicating Quantity

In an illustration, if a reference number indicates more than one part, the reference number has the form **nX y**. The **n** represents the quantity of the part, the **X** is the multiplication symbol, and the **y** represents the reference number.

For example, in an illustration, the reference number **2X 37** means that two of the parts identified by reference number **37** are indicated.

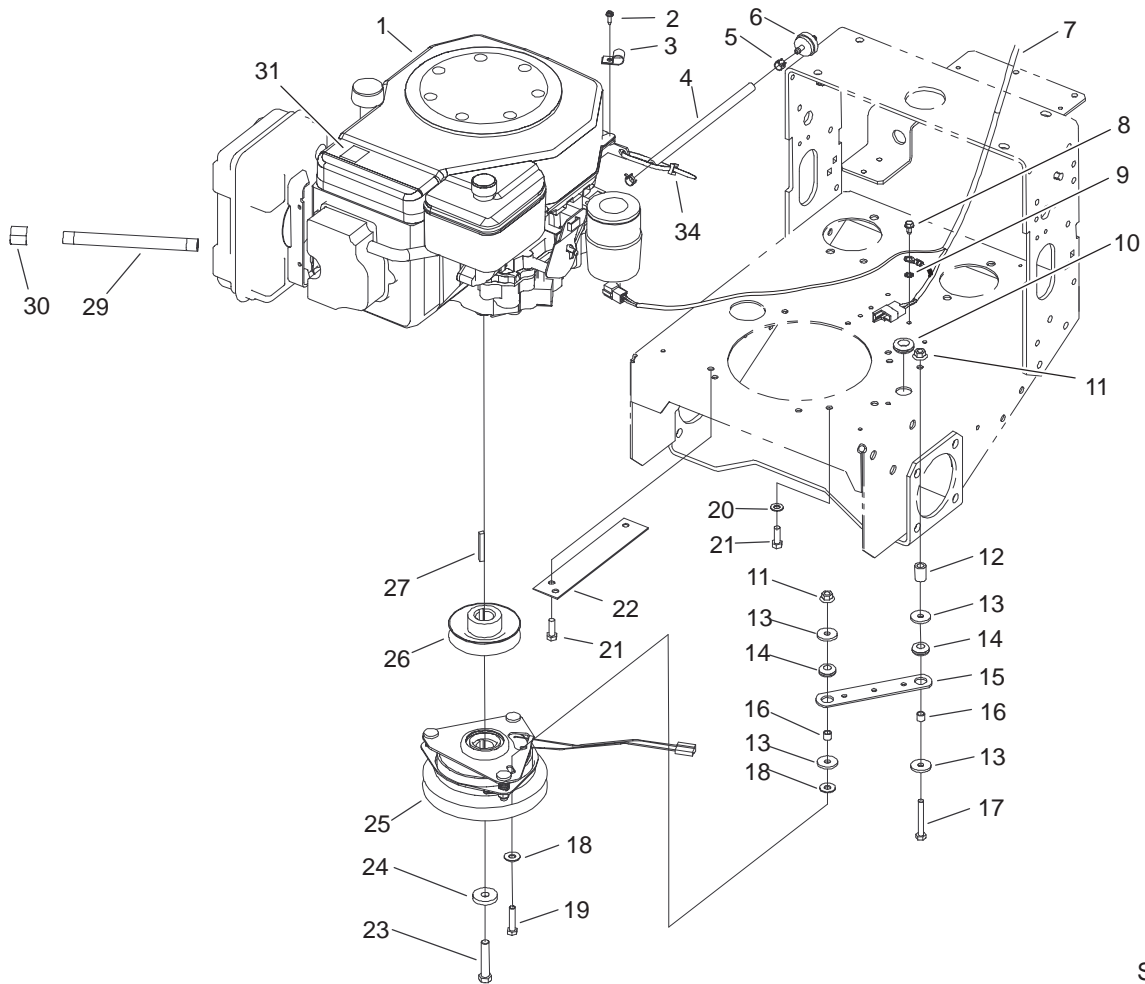
## Contents

<b>Description</b>	<b>Page</b>	<b>Description</b>	<b>Page</b>
Engine, Clutch, Strap and Wire Assembly . . . .	3	Spindle Housing Assembly No. 104-6314 . . . .	14
Clutch / Brake Assembly No. 54-3200 . . . . .	4	Carrier Frame Assembly . . . . .	15
Fuel Tank, Hydraulic Tanks, Pump and Filter Assembly . . . . .	5	Crankcase Assembly . . . . .	16
Wheel Motors, Pump Belt and Pump Idler Assembly . . . . .	6	Oil Pan and Lubrication Assembly . . . . .	17
Lower Controls Assembly . . . . .	7	Cylinder Head, Valves and Breather Assembly	18
Hydraulic Hose Assembly . . . . .	8	Ignition and Electrical Assembly . . . . .	19
Upper Handles Assembly . . . . .	9	Blower Housing And Baffles Assembly . . . . .	20
Control Panel Assembly . . . . .	10	Starter Assembly . . . . .	21
Deck Assembly . . . . .	11	Fuel System Assembly . . . . .	22
Spindles, Idler Pulleys and Belts Assembly . . .	12	Engine Controls Assembly . . . . .	23
Spindle Housing Assembly No. 104-6316 . . . .	13	Air Cleaner Assembly . . . . .	24
		Exhaust Assembly . . . . .	25

## Part Description Abbreviations

Part descriptions in this catalog may include the following abbreviations.

<b>Abbreviation</b>	<b>Meaning</b>	<b>Abbreviation</b>	<b>Meaning</b>
AR . . . . .	as required	HYD . . . . .	hydraulic
ASM . . . . .	assembly	INC . . . . .	incorporated
CARR . . . . .	carriage	LH . . . . .	left hand
DEG . . . . .	degrees	NI . . . . .	nylon insert
FH . . . . .	flat head	PPH . . . . .	Phillips pan head
GA . . . . .	gauge	PTH . . . . .	Phillips truss head
HF . . . . .	hex flange	PTO . . . . .	power take off
HH . . . . .	hex head	RH . . . . .	right hand
HHF . . . . .	hex head flange	SFH . . . . .	slotted fillister head
HLH . . . . .	hex lag head	SHH . . . . .	slotted hex head
HJ . . . . .	hex jam	SQH . . . . .	square head
HOC . . . . .	height-of-cut	SHWH . . . . .	slotted hex washer head
HS . . . . .	hex socket	SPH . . . . .	slotted pan head
HSBH . . . . .	hex socket button head	SRH . . . . .	slotted round head
HSFH . . . . .	hex socket flat head	STD . . . . .	standard
HSH . . . . .	hex socket head	TAP . . . . .	self tapping
HWH . . . . .	hex washer head	TTH . . . . .	Torx truss head
HWHTF . . . . .	hex washer head thread forming	WH . . . . .	wing head

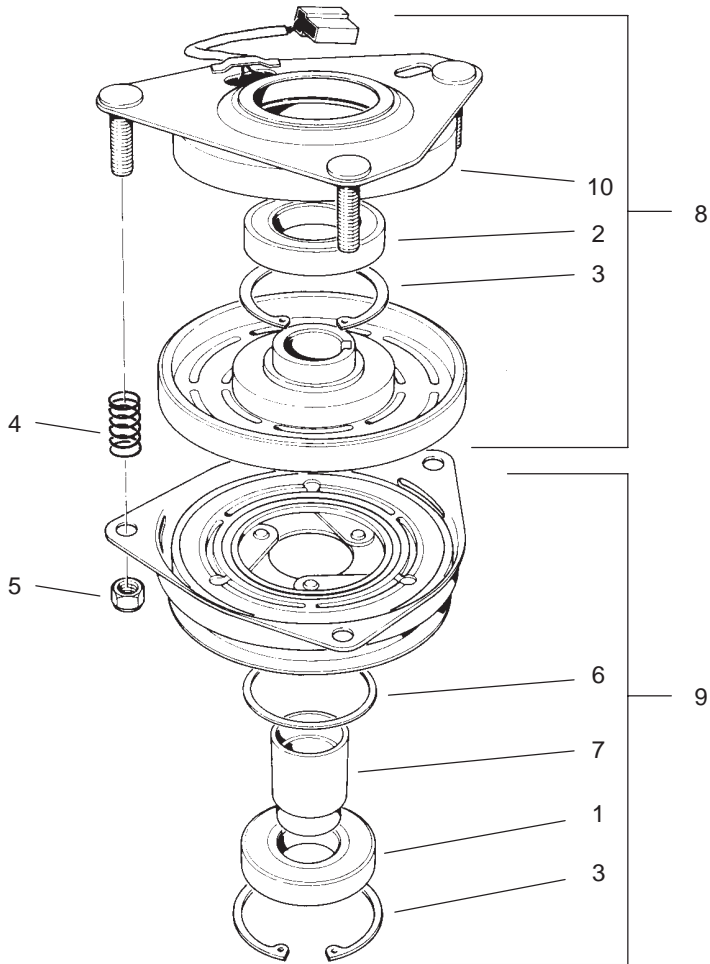


Sheet No.:2

## Engine, Clutch, Strap and Wire Assembly

Ref. No.	Part No.	Qty.	Description
1	104-6361	1	Engine-Kohler, CV15T-41604
2	32144-19	1	Screw-Forming, Thread
3	2412-87	1	Clamp-Cable
4	47-2982	1	Hose-Gas
5	2412-98	2	Clamp
6	56-6360	1	Filter-Fuel
7	104-8136	1	Harness-Wire
8	12-3270	1	Screw
9	3255-7	1	Washer-Lock/Ext
10	237-124	1	Grommet
11	32128-20	2	Nut-HF
12	104-6373	1	Tube - Retainer
13	1-613235	4	Washer
14	1-633630	2	Grommet-Brake
15	1-633543	1	Strap-Clutch/Brake
16	1-633545	2	Spacer-Grommet
17	322-11	1	Screw-HH
18	3256-3	2	Washer-Flat
19	322-7	1	Screw-HH
20	3256-23	2	Washer-Flat
21	33114-025	4	Screw-HH
22	94-5847-01	1	Cover - Pulley
23	3212-9	1	Screw-HH
24	112843	1	Washer

Ref. No.	Part No.	Qty.	Description
25	54-3200	1	Clutch/Brake
26	44-5940	1	Pulley
27	608006	1	Key
29	105-2624	1	Pipe-Nipple
30	288-10	1	Cap-Pipe
31	63-8440	1	Decal-Surface, Hot
34	3290-381	1	Tie-Wire

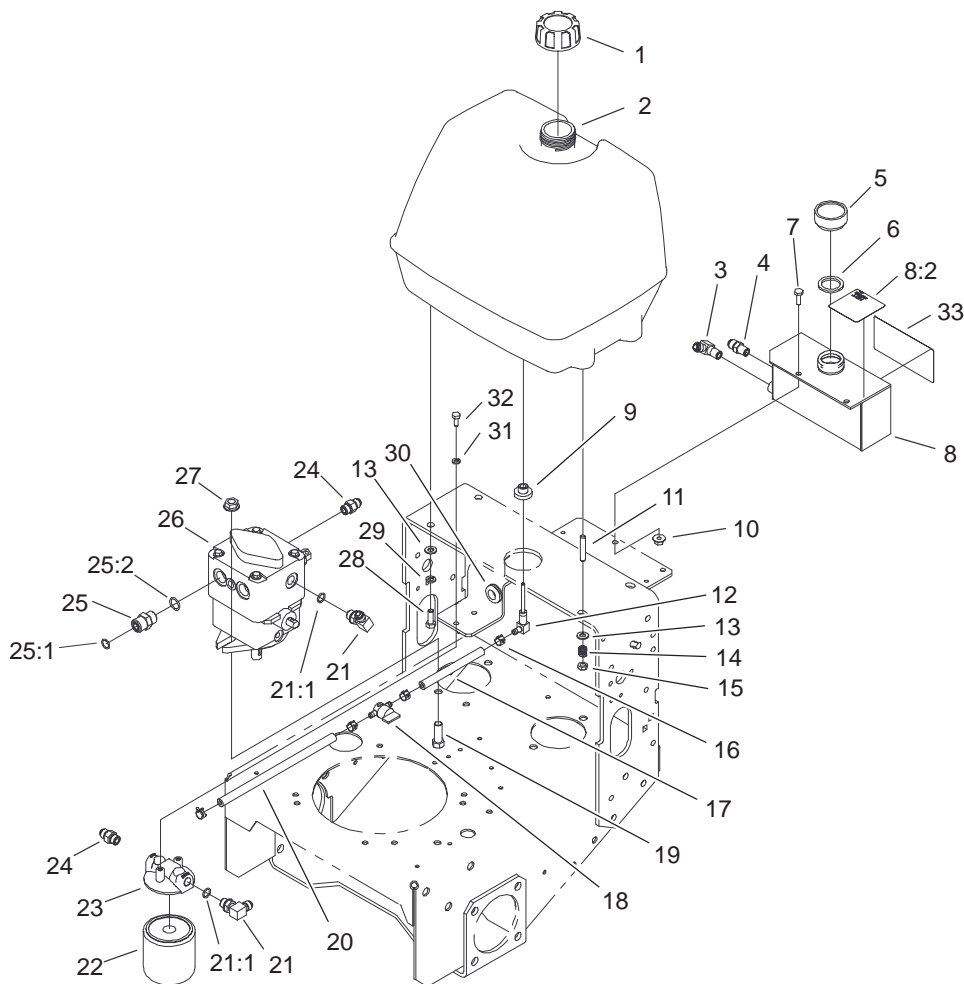


Sheet No.:A1  
T-3726

### Clutch / Brake Assembly No. 54-3200

Ref. No.	Part No.	Qty.	Description
1	251-291	1	Bearing-Pulley
2	251-292	1	Bearing-Field
3	44-8310	2	Ring-Retaining
4	44-8320	3	Spring
5	3296-6	3	Nut-Lock, NI
6	44-8330	1	Spacer-Bearing, Pulley
7	44-8340	1	Collar-Bearing
8	44-8360	1	Field Coil-Rotor / Bearing ASM
9	44-8370	1	Armature / Pulley / Bearing ASM
10	54-0230	1	Field Bearing ASM

Ref. No.	Part No.	Qty.	Description

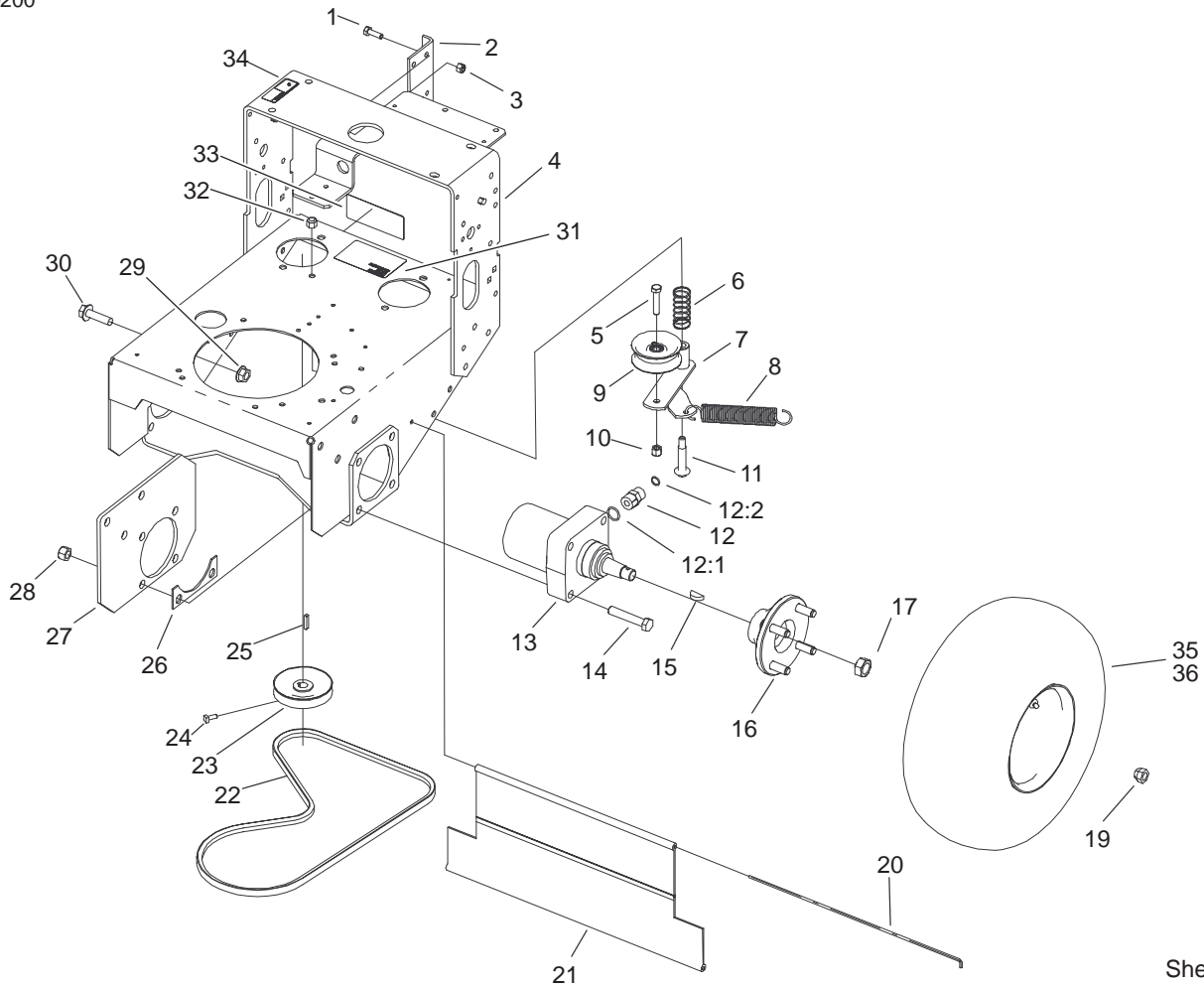


Sheet No.:4

## Fuel Tank, Hydraulic Tanks, Pump and Filter Assembly

Ref. No.	Part No.	Qty.	Description
1	55-3570	1	Gas Cap ASM
2	1-323551	1	Tank-Fuel
3	1-603988	1	Fitting-Elbow
4	1-513510	1	Fitting-Straight
5	1-513167	1	Cap
6	1-523103	1	Gasket-Cap, Tank
7	321-4	2	Screw-HH
8	99-4625	1	Hydraulic Tank ASM
8:2	1-523552	1	Decal-Tank, Hydraulic
9	1-513645	1	Bushing-Valve, Fuel
10	32128-33	2	Nut-HF
11	104-8121	2	Stud-Threaded
12	1-543277	1	Elbow-Tank, Fuel
13	3256-23	4	Washer-Flat
14	1-633349	2	Spring-Tank, Fuel
15	3296-47	2	Nut-Lock, NI
16	2412-98	4	Clamp
17	47-2966	1	Hose-Gas
18	1-603770	1	Valve-Fuel
19	324-5	4	Screw-HH
20	47-2982	1	Hose-Gas
21	105-0858	3	Fitting-90°
21:1	237-42	1	O-Ring
22	1-633750	1	Filter-HYD
22	1-633752	1	Filter-HYD, Winter
23	104-7836	1	Head - Filter

Ref. No.	Part No.	Qty.	Description
24	353-384	3	Fitting-Straight
25	340-4	4	Adapter
25:1	237-30	1	O-Ring
25:2	237-79	1	O-Ring
26	104-1167	2	Pump-Hydraulic
27	32128-42	4	Nut-HF
28	322-4	2	Screw-HH
29	3253-4	2	Washer-Lock
30	237-124	1	Grommet
31	3253-3	2	Washer-Lock
32	321-3	2	Screw-HH
33	104-8172	1	Decal-Mobil 1

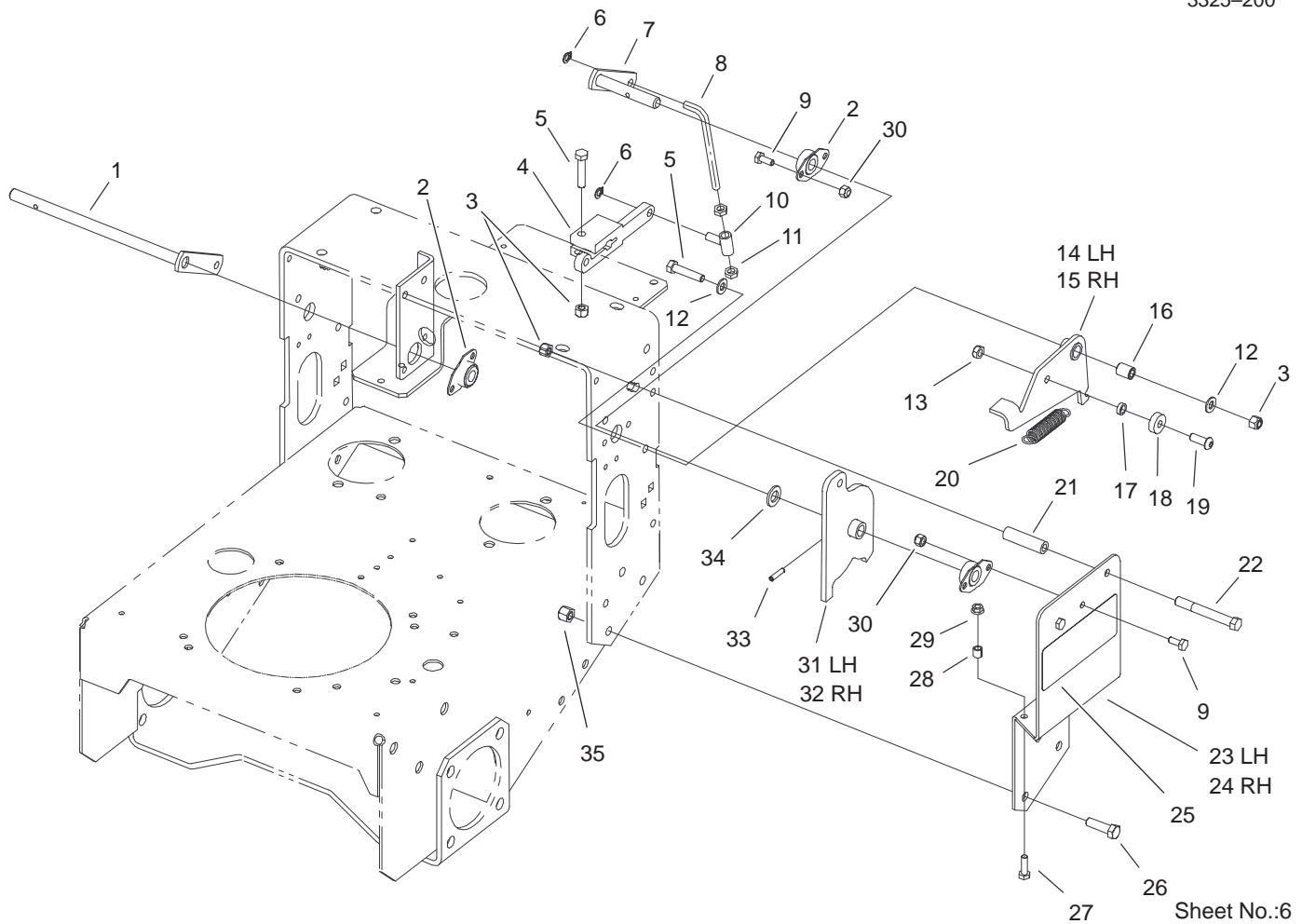


Sheet No.:5

## Wheel Motors, Pump Belt and Pump Idler Assembly

Ref. No.	Part No.	Qty.	Description
1	322-5	2	Screw-HH
2	105-0876-01	1	Bracket-Bushing
3	3296-29	2	Nut-Lock
4	104-1100-01	1	Frame ASM
5	323-9	1	Screw-HH
6	88-1880	1	Spring-Compression
7	86-4770	1	Idler Lever ASM
8	68-2190	1	Spring-Extension
9	62-4540	1	Pulley
10	3296-39	1	Nut-Lock, NI
11	27-6230	1	Bolt-Wheel
12	340-6	4	Fitting-HYD, Straight
12:1	237-30	1	O-Ring
12:2	237-80	1	O-Ring
13	104-1171	2	Motor-Wheel
14	325-11	8	Screw-HH
15	80-6090	2	Key - Pump
16	105-0800	2	Wheel Hub/Stud ASM
17	85-7310	2	Nut-Motor, Wheel
19	242-50	8	Nut-Lug
20	95-1529	1	Rod-Shield
21	95-1526	1	Shield-Trailing
22	82-4110	1	V-Belt
23	95-1528	2	Pulley - Pump
24	3241-5	4	Screw-Set
25	3257-8	2	Key-Woodruff

Ref. No.	Part No.	Qty.	Description
26	86-4740-01	2	Spacer - Frame
27	104-6326-01	2	Plate-Frame
28	3296-23	8	Nut-Lock, NI
29	32128-23	6	Nut-HF
30	3234-32	6	Screw-HHF
31	95-1543	1	Decal-Adjustment, Valve
32	3296-6	1	Nut-Lock, NI
33	98-0776	1	Decal-Caution
34	95-2814	1	Decal-Shut Off, Fuel
35	104-6321	2	Wheel And Tire ASM
36	104-1198	2	Wheel And Tire ASM



Sheet No.:6

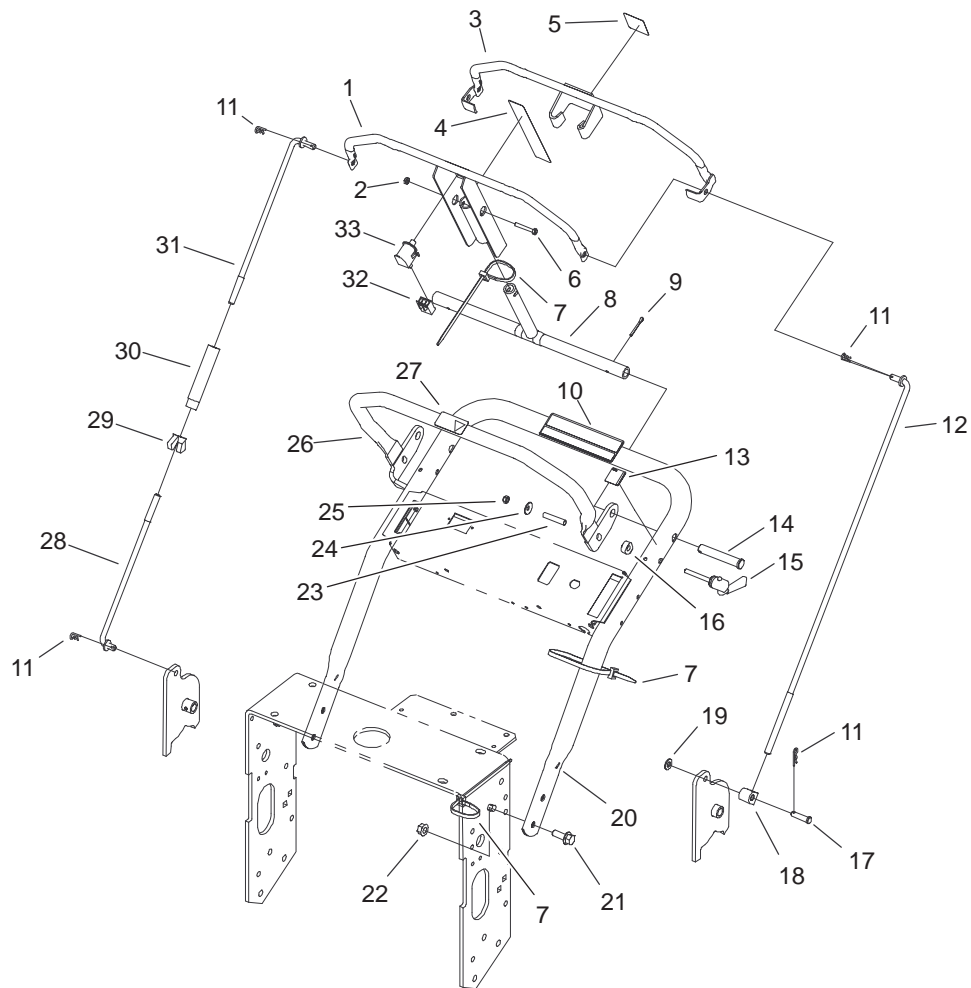
## Lower Controls Assembly

Ref. No.	Part No.	Qty.	Description
1	94-9059	1	Lever-Pivot, RH
2	82-4130	4	Side Flange Bearing ASM
3	3296-29	6	Nut-Lock
4	82-3790	2	Arm-Pump
5	322-7	4	Screw-HH
6	32151-3	4	Ring-Grip, Ex
7	94-9057	1	Lever-Pivot, LH
8	104-8109	2	Rod-Link
9	321-3	8	Screw-HH
10	94-9062	2	Sleeve
11	3218-2	4	Nut-Jam
12	3256-23	4	Washer-Flat
13	3296-47	2	Nut-Lock, NI
14	82-4330-01	1	Arm-Detent, LH
*15	82-4340-01	1	Arm-Detent, RH
16	82-4370	2	Bushing-Arm, Detent
17	82-4240	2	Spacer-Bearing
18	251-259	2	Bearing
19	3274-32	2	Screw-HSBH
20	82-4160	2	Spring-Detent
21	82-3920	2	Stop-Reverse
22	322-14	2	Screw-HH
23	104-8106-01	1	Bracket-Pivot, Left
*24	104-8107-01	1	Bracket-Pivot, Right
25	82-4600	2	Decal-Hydro

Ref. No.	Part No.	Qty.	Description
26	323-7	6	Screw-HH
27	321-5	2	Screw-HH
28	95-1516	2	Spacer - Tubular
29	32128-10	2	Locknut-Flange
30	3296-42	8	Nut-Lock, NI
31	94-9054-01	1	Arm-Pivot, LH
*32	94-9061-01	1	Arm-Pivot, RH
33	32121-4	2	Pin-Roll
34	257-5	2	Washer-Thrust
35	3296-39	6	Nut-Lock, NI

\* Not illustrated



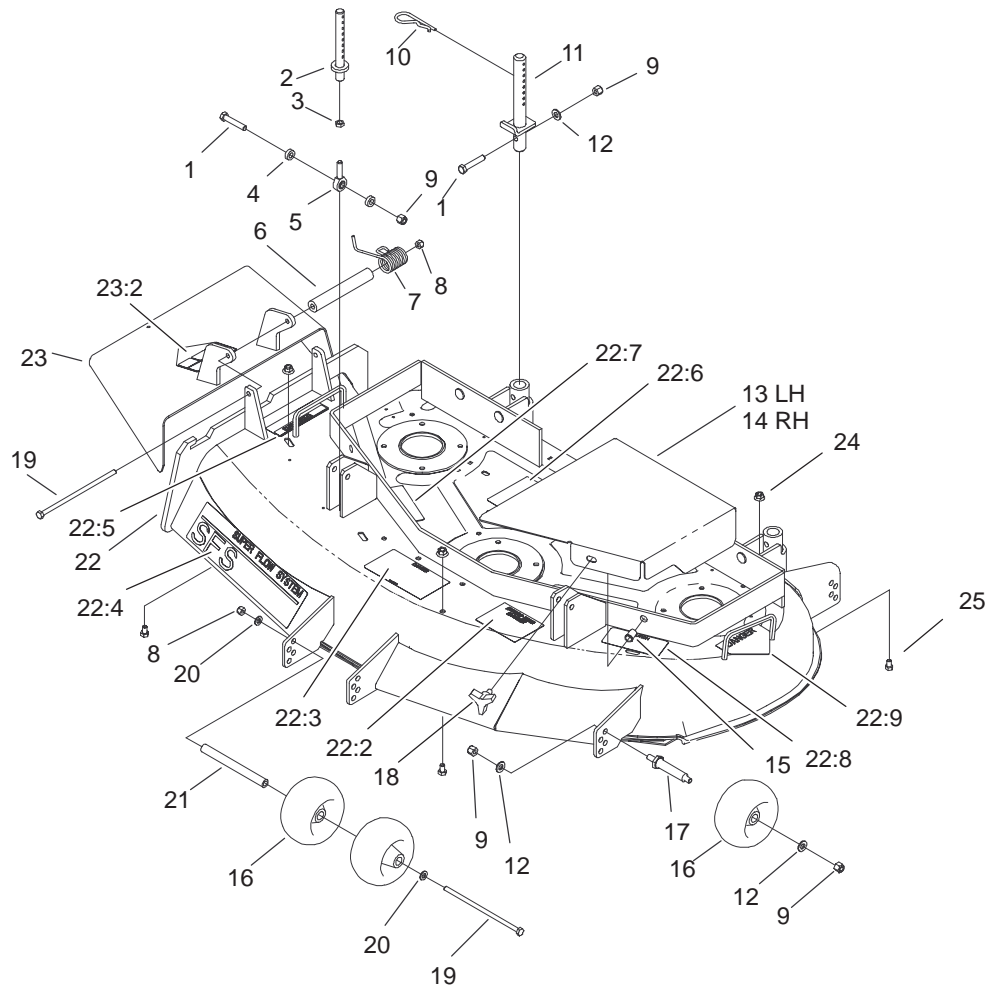


Sheet No.:8

## Upper Handles Assembly

Ref. No.	Part No.	Qty.	Description	Ref. No.	Part No.	Qty.	Description
1	104-6380-03	1	Control Bar ASM	26	95-1536-03	1	Handle ASM
2	32153-1	1	Nut-Lock	27	98-4387	1	Decal-Protection, Ear
3	104-6386-03	1	Bail ASM	28	95-1506	1	Rod-Control, Lower
4	95-1524	1	Decal-T Bar	29	32103-3	1	Nut-Wing
5	95-1523	1	Decal-Drive, Traction	30	95-1504	1	Turnbuckle
6	32105-1	1	Screw-SHH	31	95-1505	1	Rod-Control, Upper
7	3290-378	3	Tie-Cable	32	218-595	1	Connector-Body
8	104-6383-03	1	Pivot ASM	33	82-2190	1	Switch-Bail
9	3272-11	2	Pin-Cotter				
10	82-4590	1	Decal - Warning				
11	3290-307	4	Pin-Hair				
12	94-9095	1	Rod - Control				
13	95-5862	1	Decal-Lock, Speed				
14	283-55	2	Pin-Clevis				
15	95-5853	2	Quick Release Lock ASM				
16	82-3840	2	Spacer				
17	283-6	1	Pin-Clevis				
18	74-0521	1	Fitting-Rod				
19	3256-23	1	Washer-Flat				
20	95-5856-03	1	Handle - Upper				
21	3234-11	4	Screw-HHF				
22	32128-21	4	Nut-HF				
23	95-5854	2	Sleeve				
24	3290-436	2	Washer-Belleville				
25	33023-00	2	Nut-Lock				



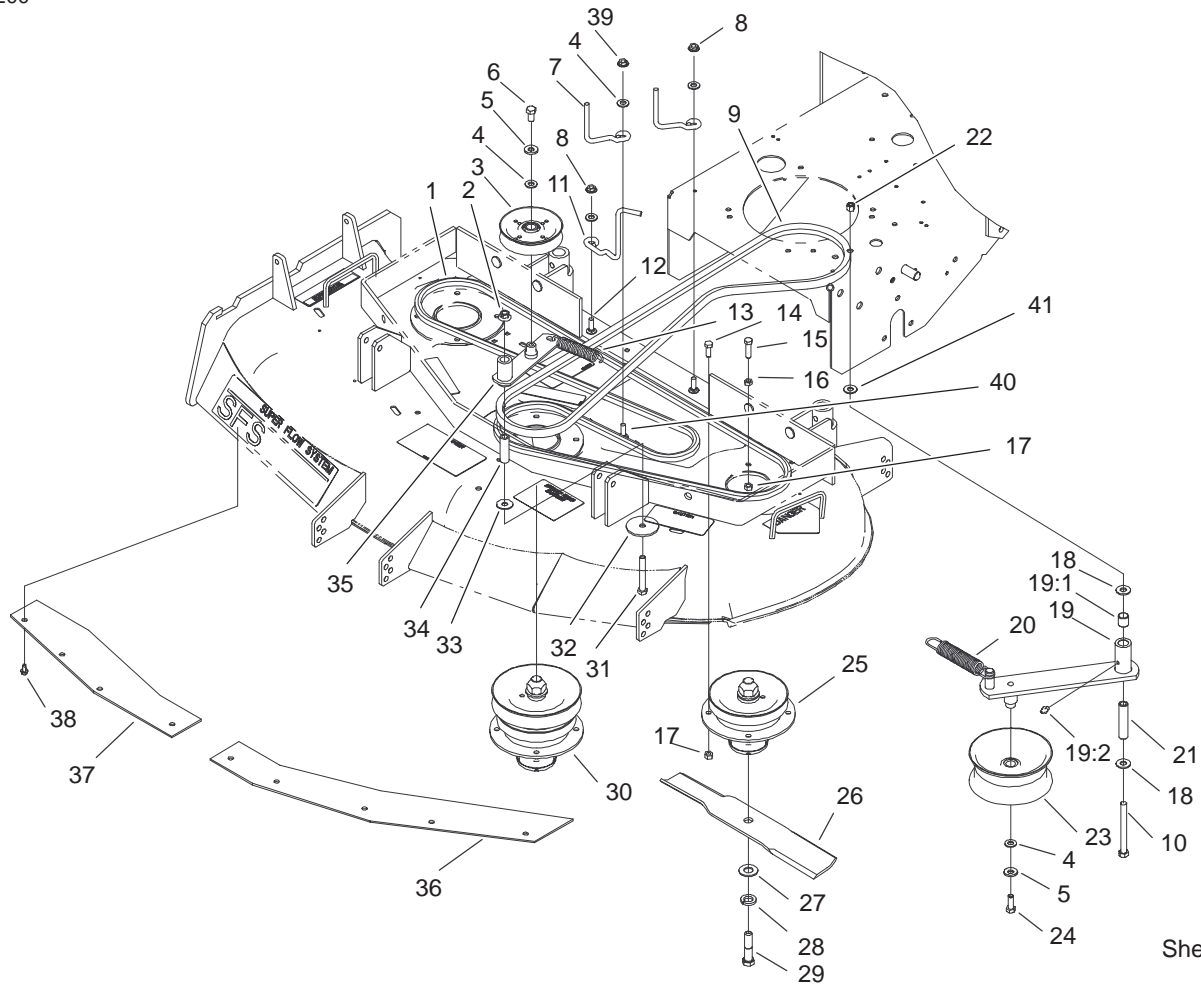


Sheet No.: 2

## Deck Assembly

Ref. No.	Part No.	Qty.	Description	Ref. No.	Part No.	Qty.	Description
1	323-10	4	Screw-HH	22:5	104-8569	1	Decal-Deflector Warning
2	105-0832	2	Link-Support	22:6	104-8186	1	Decal-Belt Routing
3	3220-3	2	Nut-Jam	22:7	67-5360	3	Decal-Danger
4	104-1156	4	Spacer	22:8	68-8340	1	Decal-Torque
5	1-613204	2	Balljoint	22:9	43-8480	1	Decal-Danger
6	104-8555	1	Spacer-Mounting, Deflector	23	104-7783	1	Deflector ASM
7	104-8554	1	Spring-Torsion	23:2	54-9220	1	Decal-Danger
8	3296-29	2	Nut-Lock	24	32128-20	3	Nut-HF
9	3296-39	8	Nut-Lock, NI	25	322-1	3	Screw-HH
10	3290-256	6	Pin-Hair				
11	105-0831	2	Rod ASM				
12	3256-24	6	Washer-Flat				
13	104-8117-01	1	Cover-Belt,Left				
*14	104-8118-01	1	Cover-Belt,Right				
15	32148-10	2	Insert-Threaded				
16	68-2730	4	Gage-Wheel				
17	99-2842	2	Spacer-Wheel				
18	104-8587	2	Knob				
19	322-50	2	Screw-Cap				
20	3256-23	2	Washer-Flat				
21	98-5967	1	Spacer - Wheel				
22	104-6392	1	44" Deck ASM				
22:2	105-0840	1	Decal-Anti Scalp				
22:3	66-1340	1	Decal-Danger				
22:4	98-8028	1	Decal-Sfs 44"				

\* Not illustrated

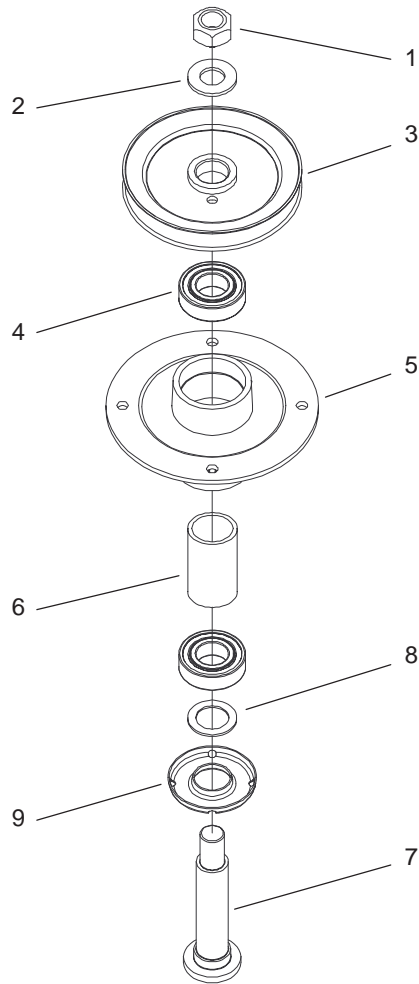


Sheet No.: 3

## Spindles, Idler Pulleys and Belts Assembly

Ref. No.	Part No.	Qty.	Description
1	27-1160	1	V-Belt, Deck
2	32128-19	1	Nut-HF
3	65-5940	1	Pulley-Idler
4	3256-24	5	Washer-Flat
5	98-5975	2	Washer-Belleville
6	323-4	1	Screw-HH
7	52-4780	2	Rod-Belt
8	32128-13	2	Nut-HF
9	104-8120	1	V-Belt, PTO
10	323-42	1	Screw-HH
11	105-0852	1	Guide-Belt
12	3230-2	2	Screw-CARR
13	54-2730-03	1	Spring-Extension
14	322-4	11	Screw-HH
15	322-6	1	Screw-HH
16	3218-2	1	Nut-Jam
17	32152-1	12	Nut-Lock, NI
18	1-809107	2	Washer-Hardened
19	104-6370	1	Idler Arm ASM
19:1	1-513034	2	Sleeve-Bearing
19:2	302-5	1	Fitting-Grease
20	104-8161	1	Spring-Extension
21	104-6377	1	Tube - Idler
22	3296-39	1	Nut-Lock, NI
23	1-413099	1	Pulley-Idler
24	323-6	1	Screw-HH

Ref. No.	Part No.	Qty.	Description
25	104-6316	2	Spindle Housing ASM
26	54-0010	3	Blade
27	3256-27	3	Washer-Flat
28	3253-8	3	Washer-Lock
29	51-4060	3	Screw-Blade
30	104-6314	1	Spindle Housing ASM
31	323-13	1	Screw-HH
32	20-9530	1	Washer-End
33	52-2860	1	Washer
34	104-8113	1	Tube-Idler
35	104-8110	1	Idler Arm ASM
36	100-3258-03	1	Plate-Blowout, LH
37	100-3257-03	1	Plate-Blowout, RH
38	12-3270	9	Screw
39	32128-10	1	Locknut-Flange
40	3229-4	1	Screw-CARR
41	3256-4	1	Washer-Flat

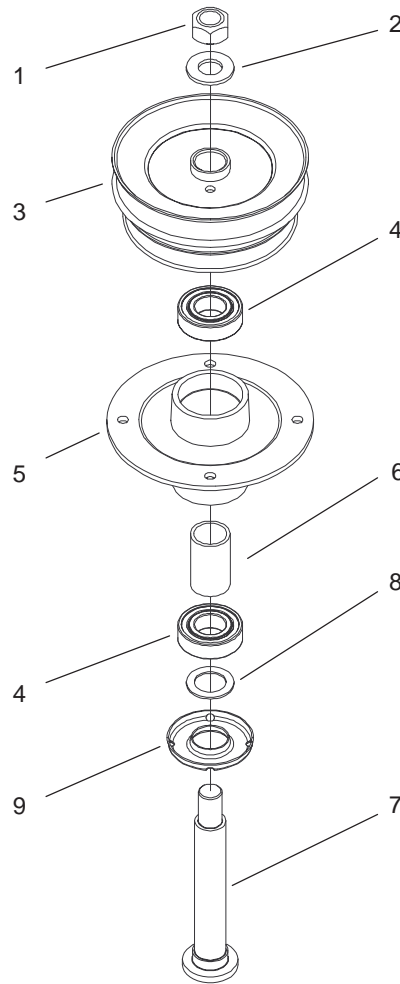


Sheet No.: A1  
C-3014

## Spindle Housing Assembly No. 104-6316

Ref. No.	Part No.	Qty.	Description
1	3219-7	1	Nut-Hex
2	7-4150	1	Washer-Pinion
3	104-1181	1	Pulley ASM
4	104-6325	2	Bearing
5	67-7590	1	Housing-Spindle
6	104-6312	1	Spacer-Bearing
7	104-8193	1	Shaft-Spindle
8	88-7540	1	Washer - Backup
9	79-1920	1	Shield-Bearing

Ref. No.	Part No.	Qty.	Description

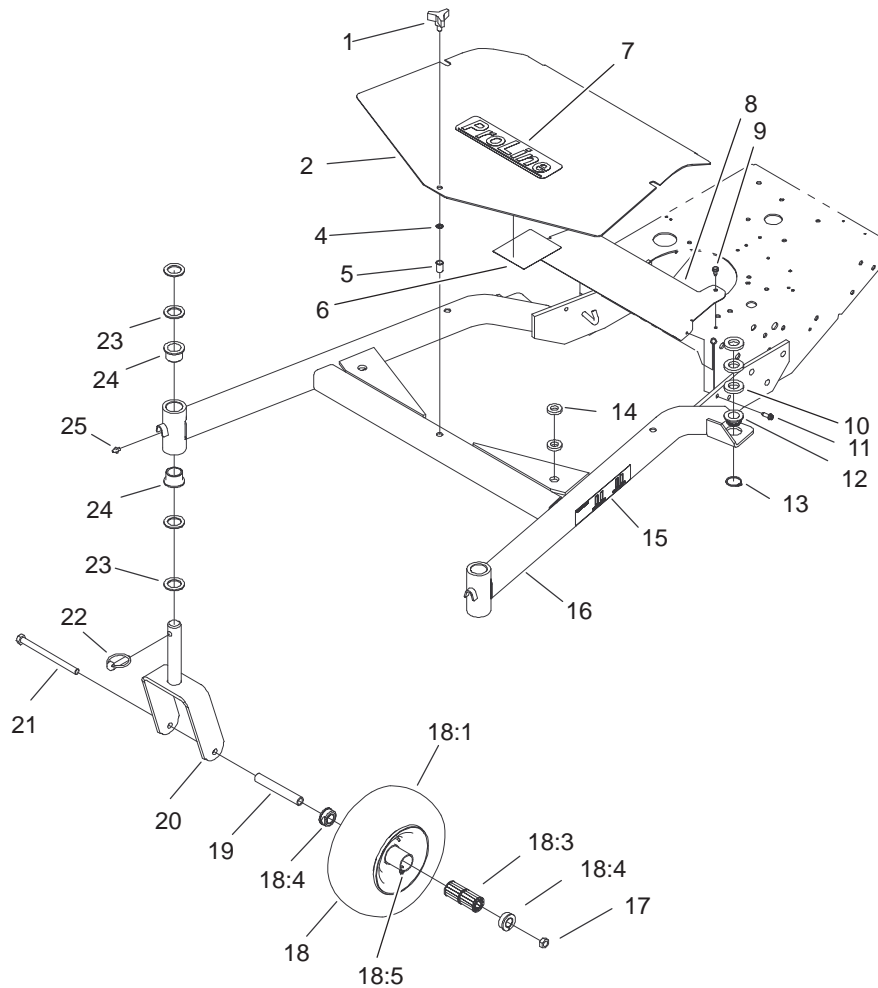


Sheet No.: A2  
C-3013

## Spindle Housing Assembly No. 104-6314

Ref. No.	Part No.	Qty.	Description
1	3219-7	1	Nut-Hex
2	7-4150	1	Washer-Pinion
3	104-1116	1	Pulley And Hub ASM
4	104-6325	2	Bearing
5	67-7590	1	Housing-Spindle
6	104-6312	1	Spacer-Bearing
7	104-8194	1	Shaft-Spindle
8	88-7540	1	Washer - Backup
9	79-1920	1	Shield-Bearing

Ref. No.	Part No.	Qty.	Description

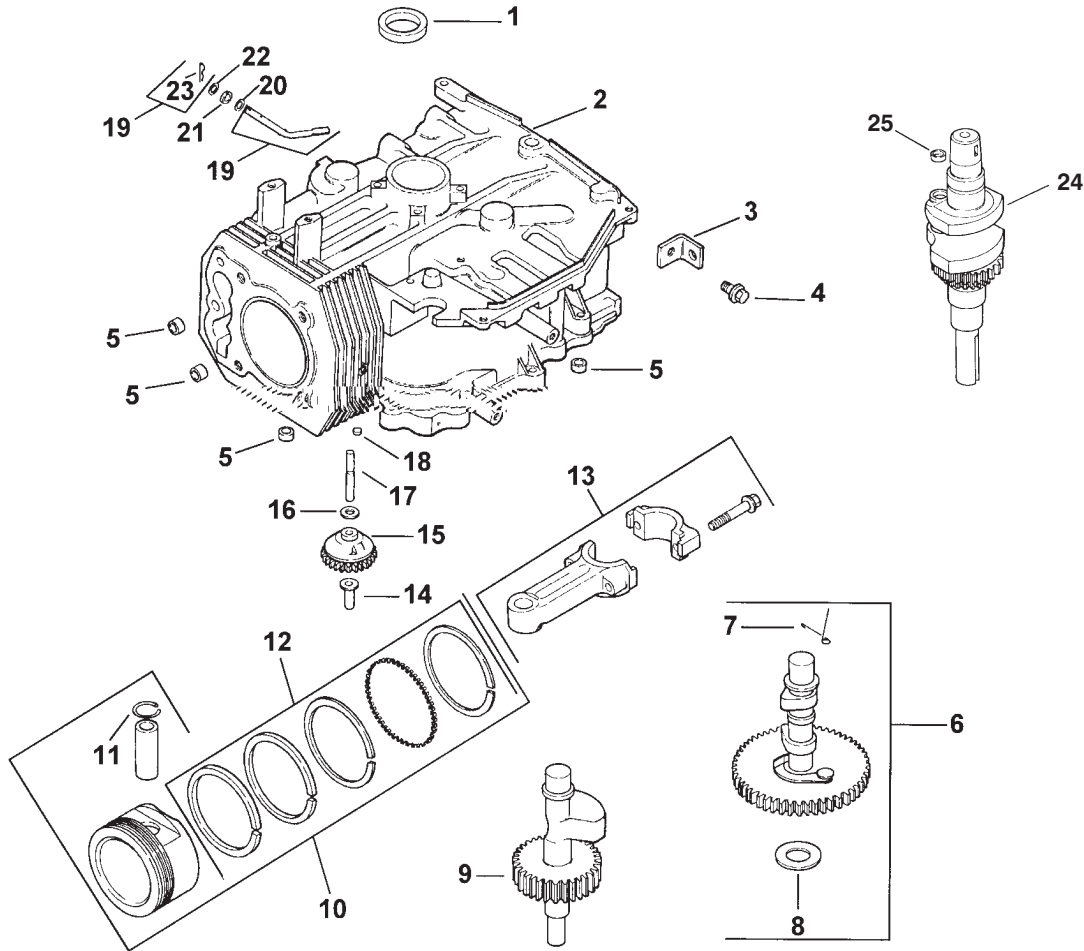


Sheet No.: 4

## Carrier Frame Assembly

Ref. No.	Part No.	Qty.	Description
1	104-8587	3	Knob
2	104-8153-01	1	Cover-Carrier Frame
4	32151-72	1	Ring-Retaining
5	32148-9	3	Nut-Insert
6	104-8173	1	Decal-Service, Hydro
7	74-2080	1	Decal-Proline
8	105-0845-01	1	Shield-Heat
9	12-3270	2	Screw
10	104-1105	6	Spacer-Deck Support
11	49-2040	2	Screw-Tapping
12	1-513336	2	Bushing - Deck
13	32120-33	2	Ring-Retaining
14	105-0842	4	Spacer
15	104-8171	2	Decal-HOC
16	104-1109-01	1	Carrier Frame ASM
17	32153-5	2	Nut-Lock
18	104-1170	2	Castor Wheel ASM
18:1	104-1169	1	Tire And Tube ASM
18:3	62-5570	2	Bearing-Roller
18:4	62-5580	2	Bearing-Outside
18:5	302-11	1	Fitting-Lube, 45°
19	104-1189	2	Bushing-Spanner
20	104-1183-01	2	Castor Fork ASM
21	325-33	2	Screw-HH
22	283-71	2	Pin-Lynch
23	3-6781	8	Washer-Thrust

Ref. No.	Part No.	Qty.	Description
24	94-1291	4	Bushing-Special
25	302-5	2	Fitting-Grease

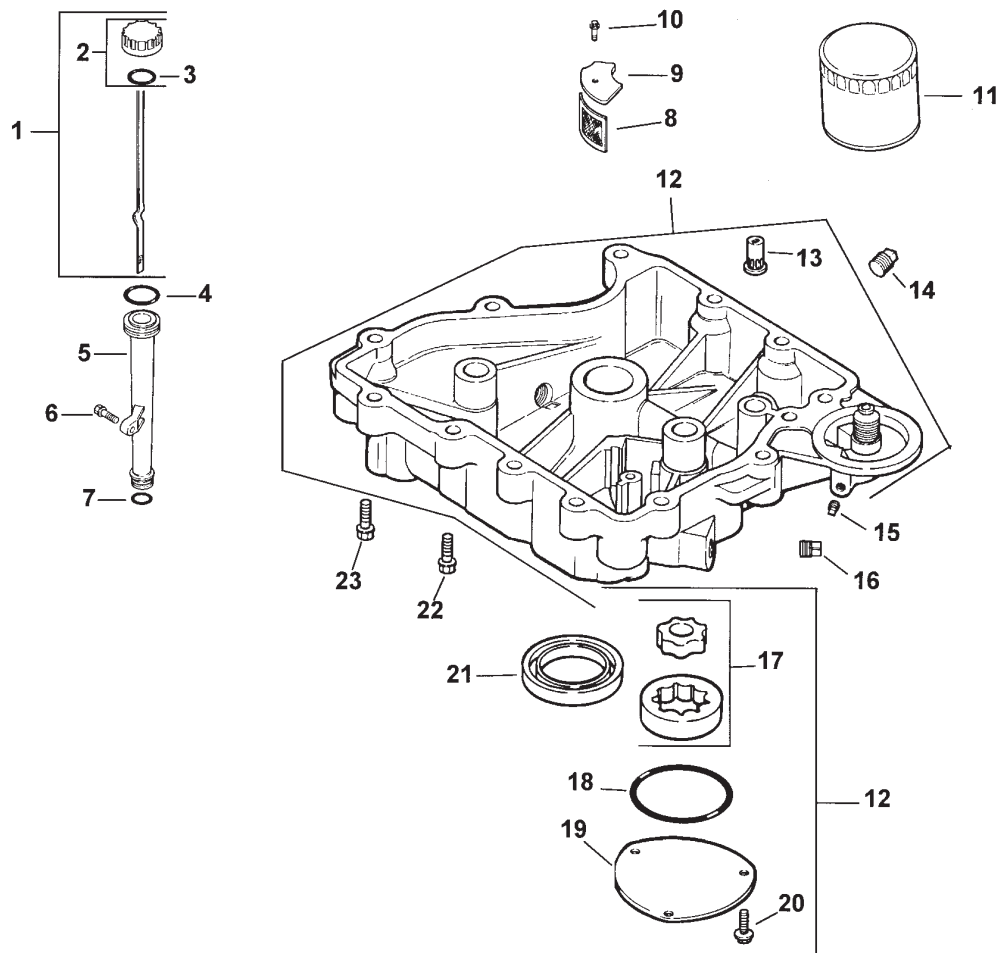


## Crankcase Assembly – Kohler Model CV15T-41604

Ref. No.	Part No.	Qty.	Description
1	12 032 03-S	1	Seal-Crankshaft
2	12 522 18-S	1	Shortblock
3	12 445 02-S	1	Strap-Lifting
4	M-839025-S	1	Screw-HF M8x1.25x22
5	24 380 13-S	4	Dowel-Locating
6	12 755 49-S	1	Kit-Camshaft (Incl.7-8)
7	12 089 31-S	1	Spring-Actuating
8	12 422 07-S	A/R	Shim-Camshaft, White
8	12 422 08-S	1	Shim-Camshaft, Blue
8	12 422 09-S	A/R	Shim-Camshaft, Red
8	12 422 10-S	A/R	Shim-Camshaft, Yellow
8	12 422 11-S	A/R	Shim-Camshaft, Green
8	12 422 12-S	A/R	Shim-Camshaft, Gray
8	12 422 13-S	A/R	Shim-Camshaft, Black
9	12 144 27-S	1	Shaft-Balance
10	12 874 07-S	1	Piston w/Ring Set STD (Incl. 11,12)
10	12 874 08-S	1	Set-Piston w/Ring .25
10	12 874 09-S	1	Set-Piston w/Ring .50
10	12 874 11-S	1	Set-Piston w/Ring .08
11	12 018 02-S	2	Retainer-Piston Pin
12	12 108 07-S	1	Ring Set STD
12	12 108 08-S	1	Ring Set .25
12	12 108 09-S	1	Ring Set .50
13	12 067 05-S	1	Rod-Connecting, STD
13	12 067 06-S	1	Rod-Connecting .25

Ref. No.	Part No.	Qty.	Description
14	12 380 01-S	1	Pin-Governor Regulating
15	12 043 05-S	1	Gear-Governor
16	M-631005-S	1	Washer-Plain, 6mm
17	12 144 02-S	1	Shaft-Governor Gear
18	52 139 09-S	1	Plug-Cup
19	12 755 64-S	1	Kit-Governor Cross Shaft (Incl. 23)
20	X-25-102-S	1	Washer-Plain, 1/4
21	12 032 01-S	1	Seal-Governor Cross Shaft
22	M-631015-S	1	Washer-Plain, 6mm
23	12 154 05-S	1	Clip-Hitch Pin
24	12 014 30-S	1	Crankshaft ASM (Incl. 25)
25	12 139 01-S	1	Plug-Cup
*	12 755 93-S	1	Set-Gasket

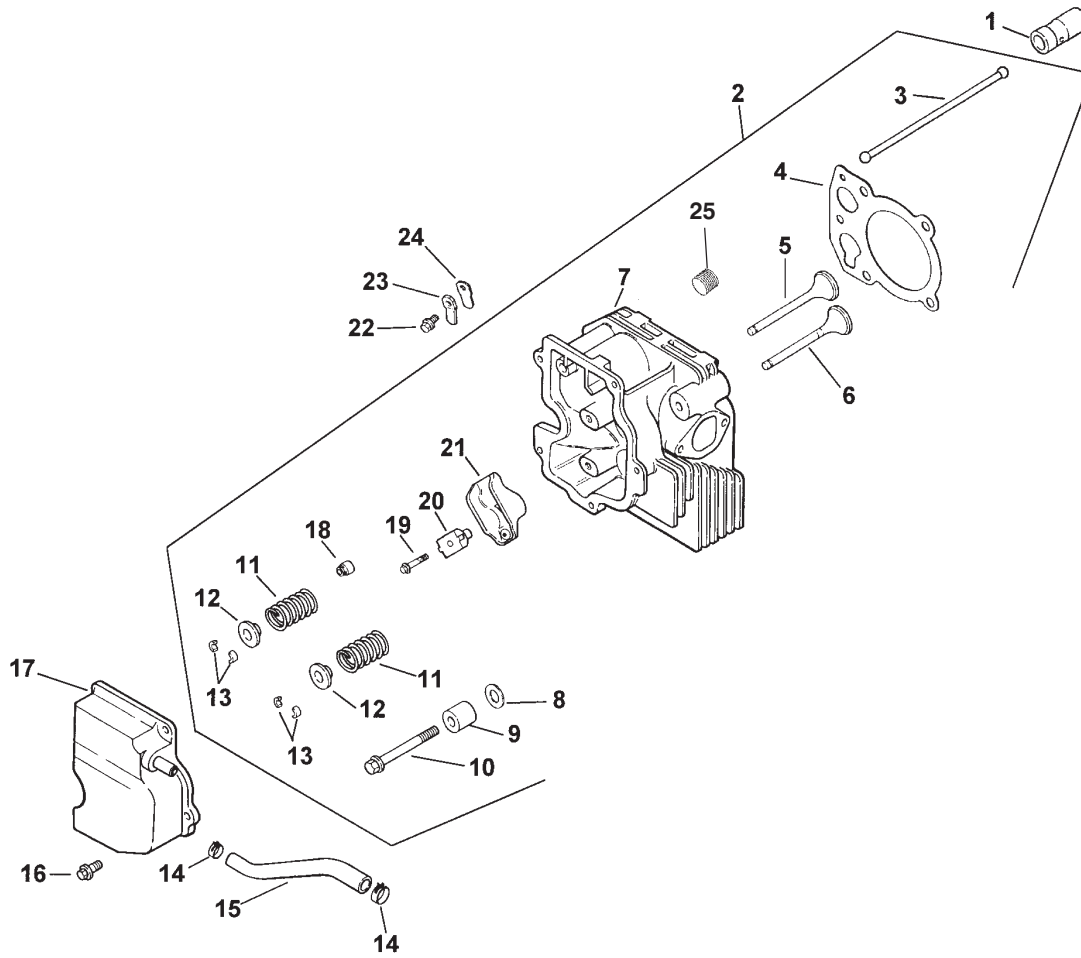
\* Not illustrated  
Order Parts from Kohler



## Oil Pan and Lubrication Assembly Kohler Model CV15T-41604

Ref. No.	Part No.	Qty.	Description	Ref. No.	Part No.	Qty.	Description
1	12 038 01-S	1	Dipstick ASM(Incl. 2-3)	19	12 096 34-S	1	Cover-Oil Pump
2	25 755 13-S	1	Kit-Oil Fill Cap (Incl. 3)	20	M-545016-S	3	Screw-HF, M5x0.8x16
3	12 153 03-S	1	O Ring-Dipstick	21	12 032 03-S	1	Seal-Oil (PTO End)
4	12 153 02-S	1	O Ring-Upper Oil Fill Tube	22	24 086 16-S	11	Screw-HF, M8x1.25x45
5	12 123 04-S	1	Tube-Oil Fill	23	24 086 17-S	1	Screw-HF, M8x1.25x45
6	M-545020-S	1	Screw-HF, M5x0.8x20				
7	12 153 01-S	1	O Ring-Lower Oil Fill Tube				
8	25 162 07-S	1	Screen-Oil Pickup				
9	12 096 03-S	1	Cover-Oil Pickup Screen				
10	M-545016-S	1	Screw-HF, M5x0.8x16				
11	52 050 02-S	1	Filter-Oil				
12	12 199 50-S	1	Pan ASM - Oil (Incl.13, 17-20)				
13	25 462 09-S	1	Valve-Oil Pressure Relief				
14	25 139 57-S	1	Plug-Pipe, 3/8 SH				
15	25 139 52-S	1	Plug-Pipe, 1/8				
16	25 139 62-S	1	Plug-Pipe, 3/8 HSH				
17	12 393 01-S	1	Pump-Oil				
18	12 153 06-S	1	O Ring-Oil Pump Cover				

Order Parts From Kohler

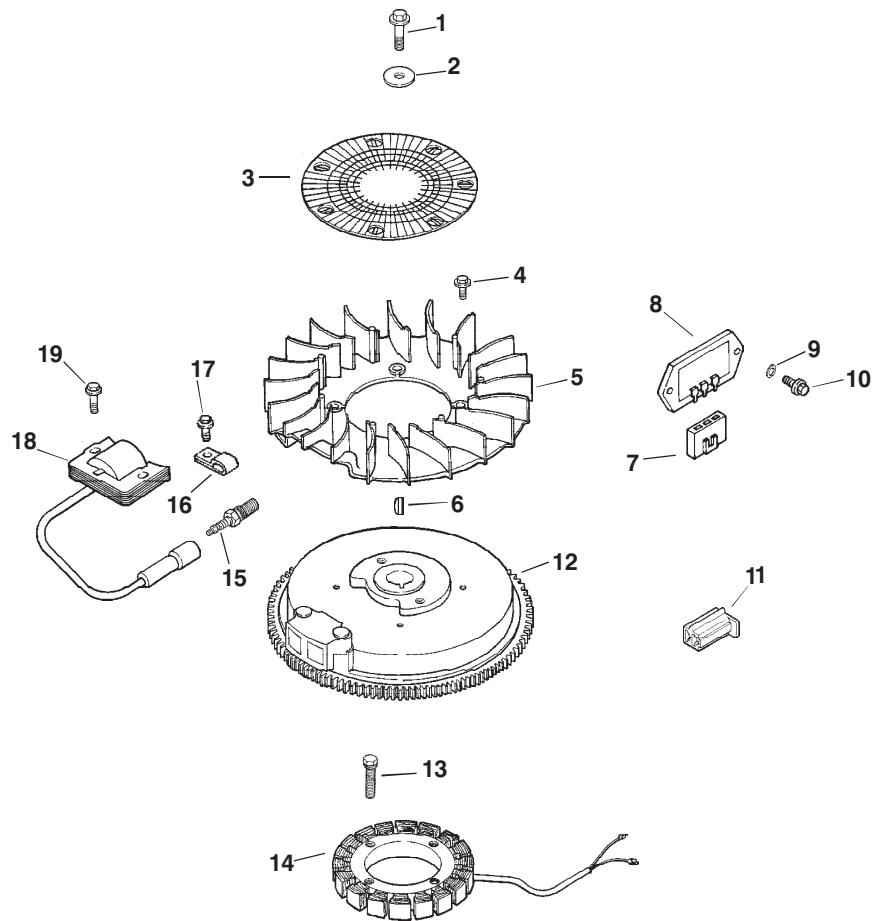


## Cylinder Head, Valves and Breather Assembly Kohler Model CV15T-41604

Ref. No.	Part No.	Qty.	Description
1	12 351 01-S	2	Lifter-Valve
2	12 755 81-S	1	Kit-Cylinder Head (Incl. 3-13, 18-21, 25, Carburator Gasket 12 041 01-S(2), Exhaust Manifold Gasket 12 041 03-S, Air Cleaner Gasket 12 041 02-S)
3	12 411 01-S	2	Rod-Push
4	12 041 10-S	1	Gasket-Cylinder Head
5	12 017 01-S	1	Valve-Intake STD
5	12 017 02-S	1	Valve-Intake .25
6	12 016 01-S	1	Valve-Exhaust STD
6	12 016 02-S	1	Valve-Exhaust, .25
7	12 318 19-S	1	Head - Cylinder
8	12 468 05-S	1	Washer-Plain 13/32
9	12 112 13-S	1	Spacer-Head Bolt Exhaust Port
10	12 086 15-S	5	Screw-HF M10x1.5x81
11	12 089 01-S	2	Spring-Valve
12	12 173 01-S	2	Cap-Valve Spring
13	12 755 03-S	2	Kit-Retainer
14	25 237 14-S	2	Clamp-Hose

Ref. No.	Part No.	Qty.	Description
15	12 326 03-S	1	Hose-Breather
16	M-645020-S	3	Screw-HF M6x1.0x20
17	12 096 07-S	1	Cover-Valve w/Nipple
18	24 032 05-S	1	Seal-Valve Stem
19	M-640034-S	2	Screw-HF M6x1.0x34
20	12 599 03-S	2	Pivot-Rocker Arm
21	25 186 01-S	2	Arm-Rocker
22	M-545010-S	1	Screw-HF M5x0.8x10
23	12 018 01-S	1	Retainer-Breather Reed
24	12 402 02-S	1	Reed-Breather
25	25 139 60-S	1	Plug-Pipe, HSH 1/8

Order Parts From Kohler

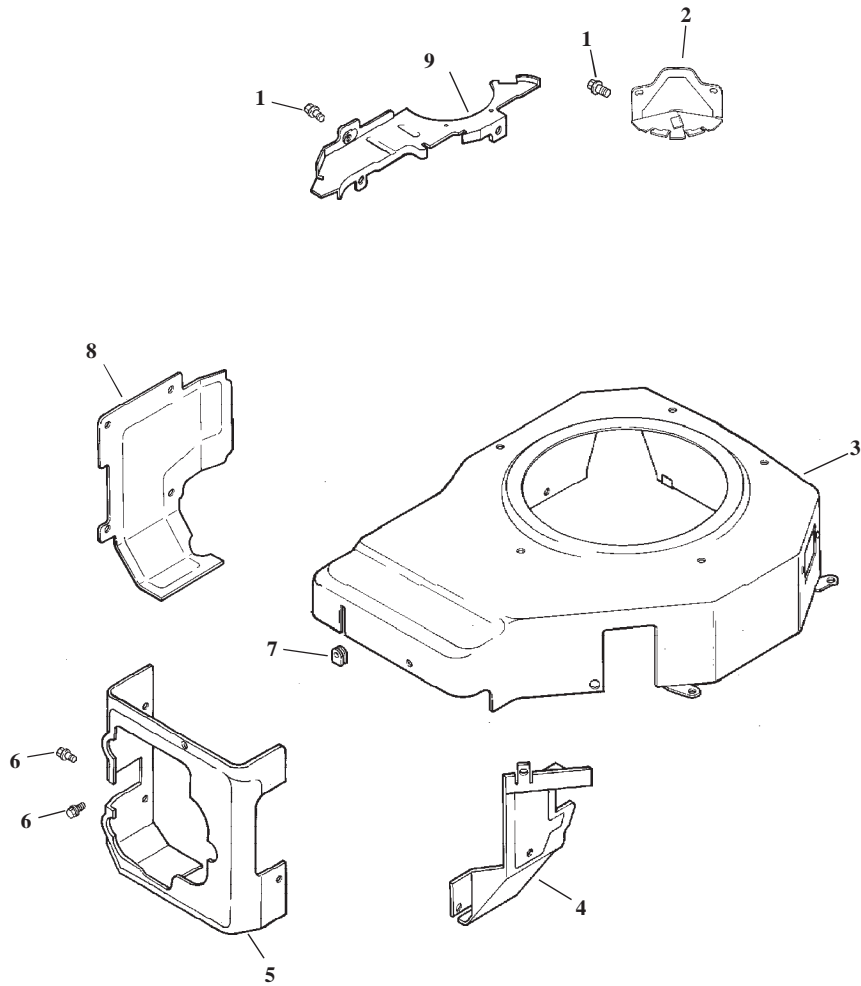


## Ignition and Electrical Assembly Kohler Model CV15T-41604

Ref. No.	Part No.	Qty.	Description
1	12 086 14-S	1	Screw-HF,M10x1.5x46
2	12 468 03-S	1	Washer-Plain, 3/8
3	12 162 03-S	1	Screen-Grass
4	25 086 47-S	4	Bolt-Shoulder
5	12 157 03-S	4	Fan
6	X-42-15-S	1	Key
7	236602-S	1	Connector-Rectifier, Regulator(3 contact)
8	12 403 01-S	1	Rectifier-Unregulated, 15 amp
9	X-22-11-S	2	Washer - Lock
10	M-639016-S	2	Screw-HF, M6x1.0x16
11	41 155 03-S	1	Connector
12	12 025 33-S	1	Flywheel
13	M-548025-S	2	Screw-HH M5x0.8x25
14	237878-S	1	Kit-Stator, 15 Amp
15	12 132 06-S	1	Spark Plug
16	X-728-1-S	2	Clip-Cable
17	M-545010-S	2	Screw-HF, M5x0.8x10
18	12 584 05-S	1	Module-Ignition
19	M-545020-S	2	Screw-HF, M5x0.8x20
*	25 518 05-S	1	Lead-Black, Rectifier/Regulator,(5"-14Gauge Uninsulated Push On

Ref. No.	Part No.	Qty.	Description
*	12 518 01-S	1	Tab Terminals) Lead-White, Ground To Kill, (19"-18 Gauge Fully Insulated Push On Tab and Uninsulated Push On Tab Terminals
*	25 518 12-S	1	Lead-Black,Ground, (5"-12Gauge-Insulated Grip Barrel Eyelet Terminals

\* Not illustrated  
Order Parts From Kohler



## Blower Housing And Baffles Assembly Kohler Model CV15T-41604

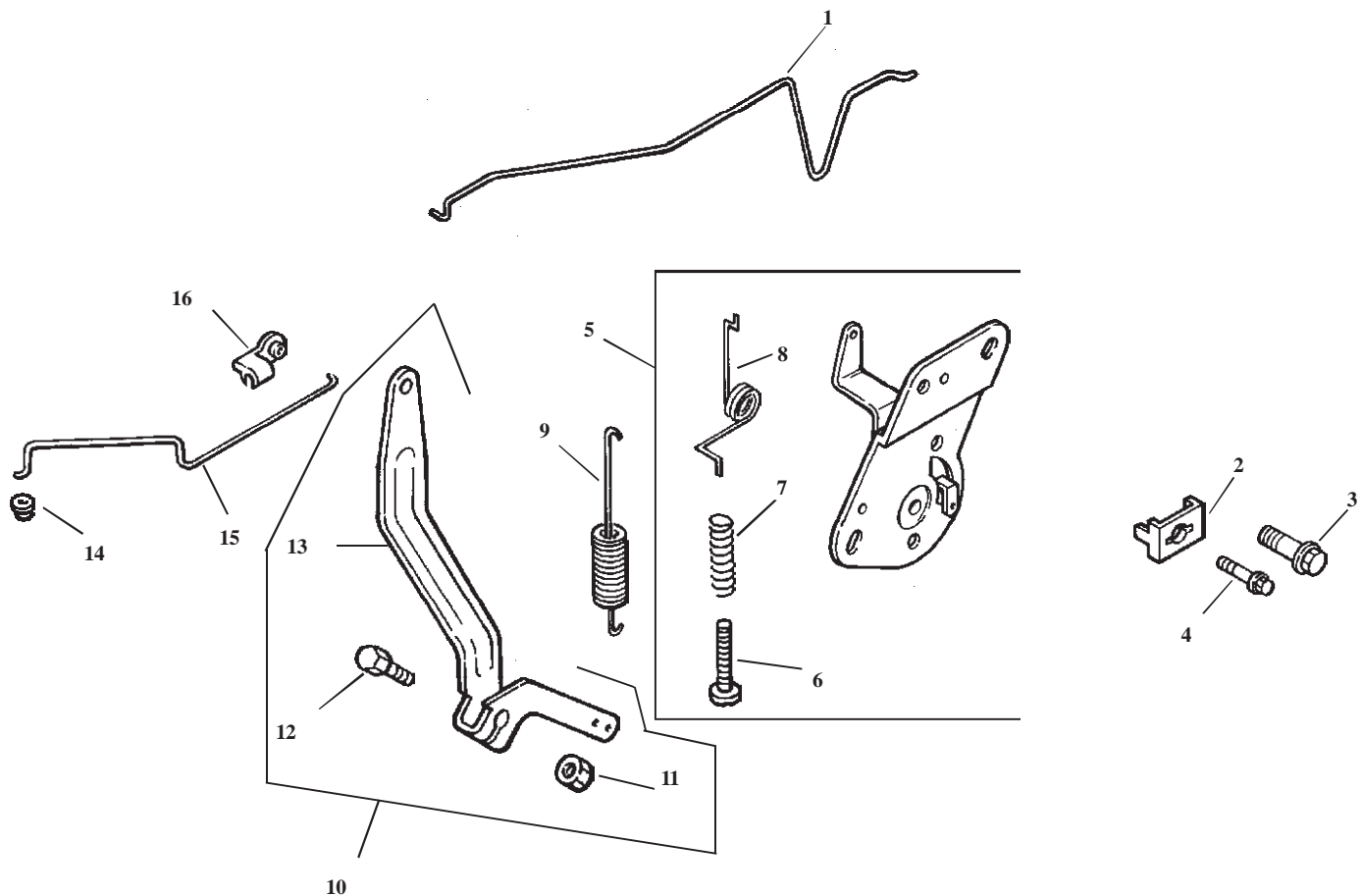
Ref. No.	Part No.	Qty.	Description
1	M-550010-S	6	Screw-HF, M5x0.8x10
2	12 096 29-S	1	Cover-Starter
3	12 027 68-S	1	Housing-Blower
4	12 063 10-S	1	Baffle-Intake, Side
5	12 063 08-S	1	Baffle-Cylinder Head
6	M-545010-S	9	Screw-HF, M5x0.8x10
7	12 313 03-S	1	Grommet-Spark Plug leads
8	12 063 19-S	1	Baffle-Cylinder
9	12 146 07-S	1	Plate-Blower Housing
*	12 146 21-S	1	Decal-Horsepower

Ref. No.	Part No.	Qty.	Description

\* Not illustrated  
Order Parts From Kohler







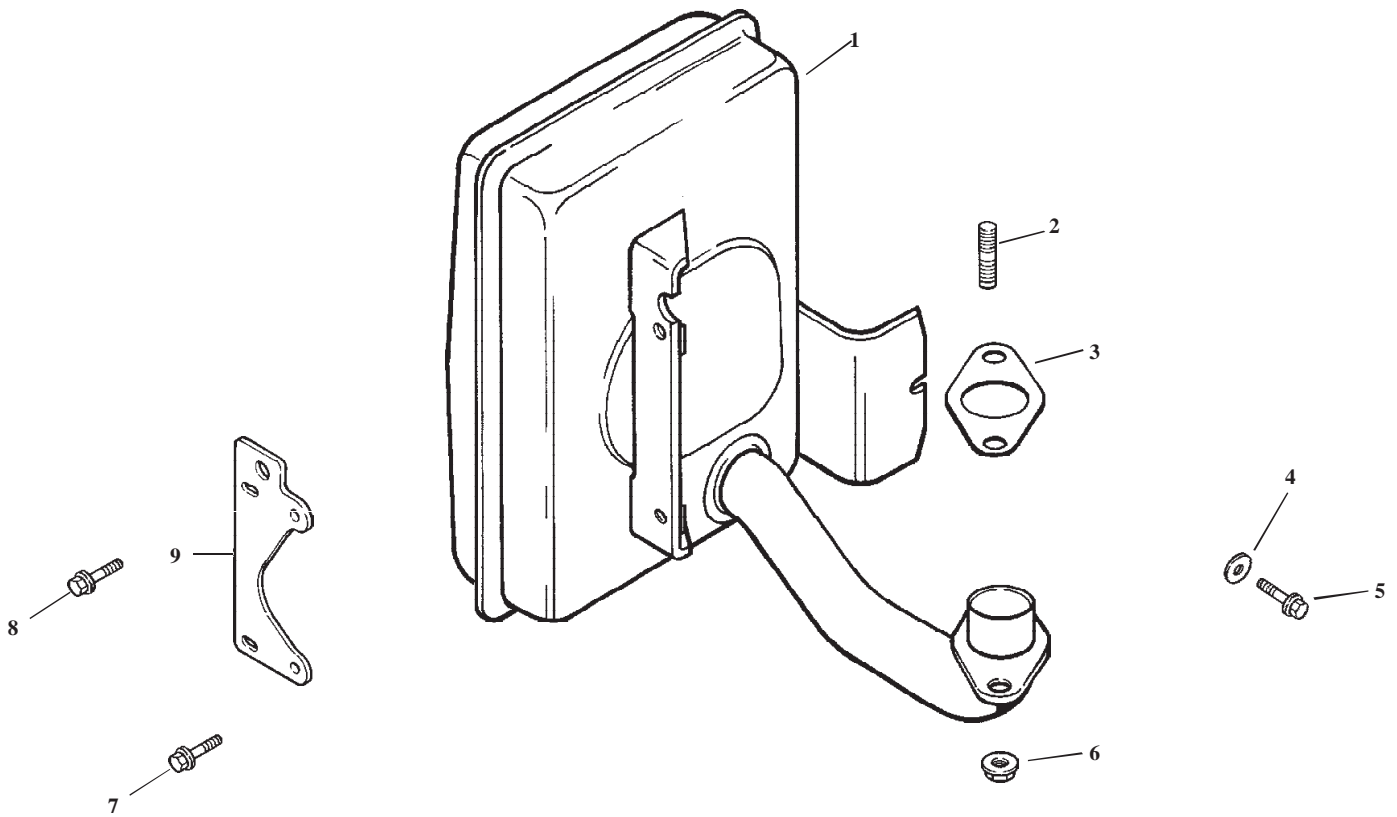
## Engine Controls Assembly Kohler Model CV15T-41604

Ref. No.	Part No.	Qty.	Description
1	12 079 07-S	1	Linkage-Choke
2	12 237 01-S	1	Clamp-Cable
3	M-664020-S	2	Screw-Lobed Socket M6x1.0x20
4	M-545016-S	1	Screw-HF M5x .08x16
5	12 536 01-S	1	Control-Speed ASM (Incl. 6-8)
6	M-443025-S	1	Screw-SPH, M4x0.7x25
7	12 089 11-S	1	Spring-Choke Adjustment
8	12 089 23-S	1	Spring-Choke Return
9	12 089 19-S	1	Spring-Governor
10	12 755 83-S	1	Kit - Governor Lever (Incl. 11-13)
11	12 100 07-S	1	Nut-HF
12	52 211 04-S	1	Bolt - Round HD
13	12 090 28-S	1	Lever-Governor
14	25 158 08-S	1	Bushing-Linkage Retaining
15	12 079 01-S	1	Linkage-Throttle
16	25 158 11-S	1	Bushing-Throttle Linkage

Ref. No.	Part No.	Qty.	Description

Order Parts From Kohler





## Exhaust Assembly Kohler Model CV15T-41604

Ref. No.	Part No.	Qty.	Description
1	12 068 44-S	1	Muffler
2	25 072 04-S	2	Stud M8x1.25x33
3	12 041 03-S	1	Gasket-Exhaust Manifold
4	X-25-78-S	1	Washer-Plain, 1/4
5	M-545016-S	1	Screw-HF, M5x0.8x16
6	M-841080-S	2	Nut-HF, M8x1.25
7	M-645016-S	2	Screw-HF, M6x1.0x16
8	M-645025-S	2	Screw-HF, M6x1.0x25
9	12 126 71-S	1	Bracket-Muffler

Ref. No.	Part No.	Qty.	Description

Obtain Parts From Kohler





