



Traction Unit
Greensmaster® 3250-D
Model No. 04383—21000001 and Up

Parts Catalog

Ordering Replacement Parts

To order replacement parts, please supply: the part number, the quantity, and the description of each part desired.

Understanding Reference Numbers

Each identified part in an illustration has a reference number. The reference number for a part also appears in the parts list, along with other information about the part.

This catalog uses two special reference number formats, one to indicate parts in a service assembly and another to indicate the quantity of a given part in an illustration.

Service Assembly Reference Numbers

Parts in service assemblies have reference numbers in the form **a:b**. The **a** represents the reference number of the entire service assembly and the **b** represents a sequential number unique to each part within the service assembly.

For example, a wheel assembly might be identified by reference number **6**, the tire by **6:1**, the valve by **6:2**, and the wheel by **6:3**. When you order the assembly identified by reference number **6**, you receive all parts identified by reference numbers **6:1**, **6:2**, and **6:3**. However, you may also order any part individually.

Reference numbers of this type appear in illustrations and in part lists.

Reference Numbers Indicating Quantity

In an illustration, if a reference number indicates more than one part, the reference number has the form **nX y**. The **n** represents the quantity of the part, the **X** is the multiplication symbol, and the **y** represents the reference number.

For example, in an illustration, the reference number **2X 37** means that two of the parts identified by reference number **37** are indicated.

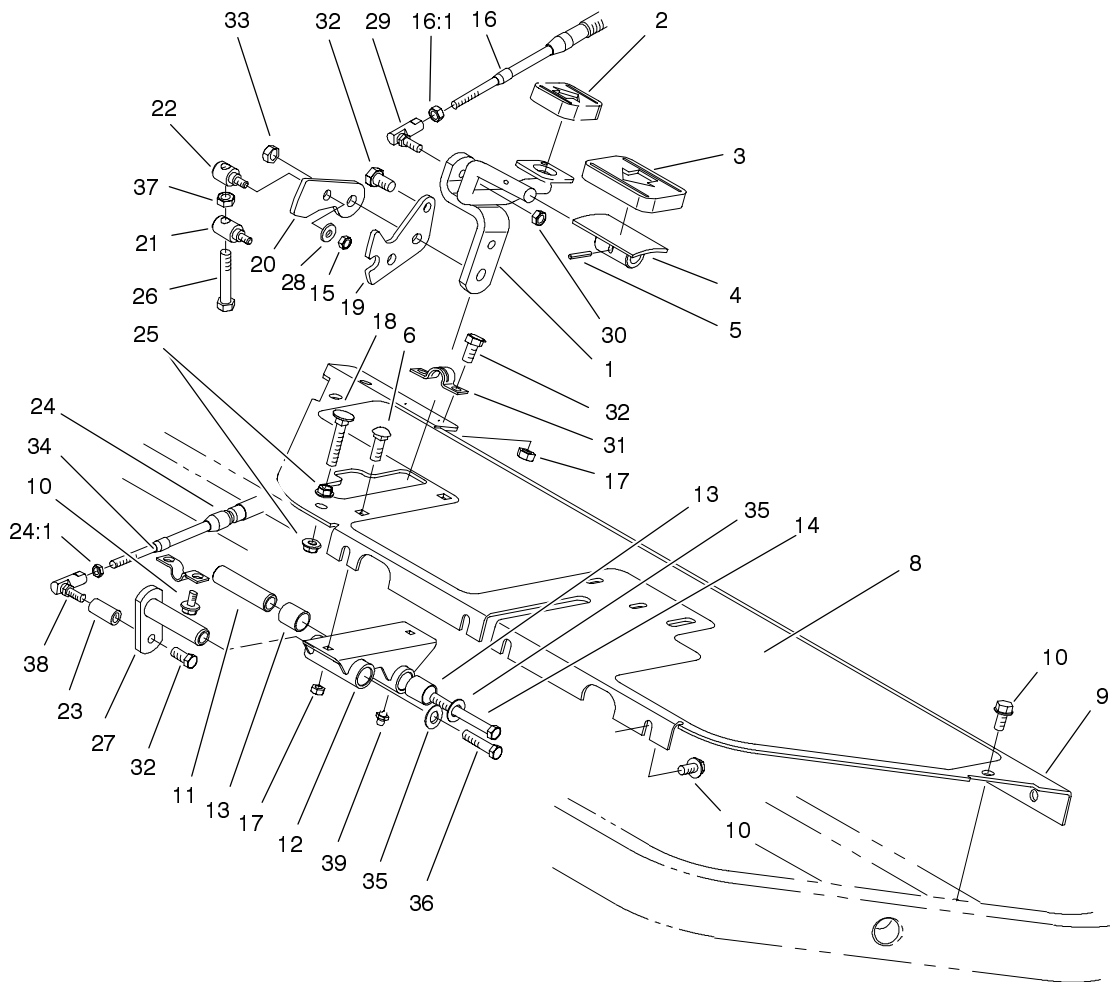
Contents

Description	Page	Description	Page
Traction Control Assembly	3	Air Cleaner Assembly No. 95-5805	23
Brake Pedal Assembly	4	Radiator Assembly	24
Front Wheel and Brake Assembly	5	Manifold Block Installation Assembly	25
Brake Assembly No. 104-7705	6	Basic Mow/Lift Manifold Assembly No. 93-2240	26
Hydraulic Motor Assembly No. 92-9199	7	Front Bulkhead and Reel Motor Assembly	27
Steering Arm Assembly	8	Reel Motor Assembly No. 93-1375	28
Steering Control Valve Assembly No. 93-2120	9	Rear Bulkhead and Reel Motor Assembly	29
Rear Wheel Assembly	10	LH and RH Lift Arm Assembly	30
Steering Cylinder Assembly No. 93-2122	11	Hydraulic Cylinder Assembly No. 99-4263	31
Console Assembly	12	Center Lift Arm Assembly	32
Functional Control Lever Assembly	13	Hydraulic Cylinder Assembly No. 99-4262	33
Seat Assembly	14	Fuel System Assembly	34
Electronics Installation Assembly	16	Hydraulic Tank and Filter Assembly	35
Hydrostat and Gear Pump Drive Assembly ...	17	Center Pull Frame Assembly	36
Hydrostat Assembly No. 100-3174	18	Electrical Schematic	37
Gear Pump Assembly No. 94-6390	19	Hydraulic Schematic	38
Neutral System Assembly	20	522447-0107-E2 Toro Diesel Engine	39-50
Engine Installation Assembly	21	Alternator Assembly No. 99-9209	51
Air Cleaner and Exhaust Assembly	22	Starter Assembly No. 99-9693	52

Part Description Abbreviations

Part descriptions in this catalog may include the following abbreviations.

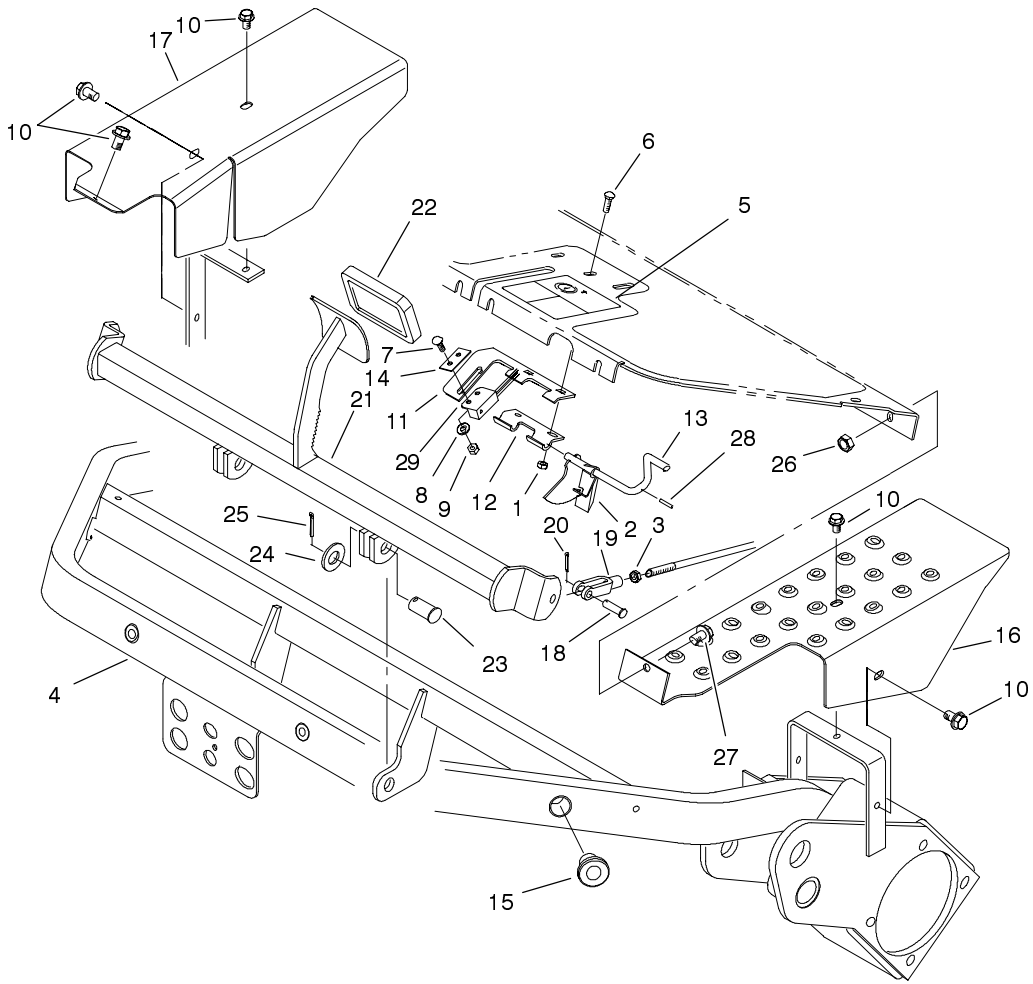
Abbreviation	Meaning	Abbreviation	Meaning
AR	as required	INC	incorporated
ASM	assembly	LH	left hand
CARR	carriage	NI	nylon insert
DEG	degrees	PPH	Phillips pan head
FH	flat head	PTH	Phillips truss head
GA	gauge	PTO	power take off
HF	hex flange	RH	right hand
HH	hex head	SFH	slotted fillister head
HHF	hex head flange	SHH	slotted hex head
HLH	hex lag head	SQH	square head
HJ	hex jam	SHWH	slotted hex washer head
HOC	height-of-cut	SPH	slotted pan head
HS	hex socket	SRH	slotted round head
HSBH	hex socket button head	STD	standard
HSFH	hex socket flat head	TAP	self tapping
HSH	hex socket head	TTH	Torx truss head
HWH	hex washer head	WH	wing head
HWHTF	hex washer head thread forming		



Sheet No.:2

Traction Control Assembly

Ref. No.	Part No.	Qty.	Description	Ref. No.	Part No.	Qty.	Description
1	93-2085-01	1	Rod	24	94-1304	1	Cable-Lock, Neutral
2	74-9110	1	Pad-Pedal, Reverse	24:1	3219-14	2	Nut-Hex
3	74-9100	1	Pad-Pedal, Forward	25	32128-20	2	Nut-HF
4	49-6440-03	1	Pedal-Forward	26	94-3489	1	Capscrew-HH
5	32121-45	1	Pin-Spring	27	94-1300	1	Lock-Neutral
6	33124-020	2	Screw-CARR	28	3256-1	2	Washer-Flat
8	93-2142	1	Pad-Plate, Floor	29	2411-34	1	Joint-Ball
9	94-6399-01	1	Plate - Floor	30	3296-13	1	Nut-Lock NI
10	32144-14	8	Screw-HWH	31	93-2092	1	Clamp - Cable
11	94-1371	1	Spacer	32	33114-016	2	Screw-HH
12	94-1383	1	Pedal - Pivot	33	33025-00	1	Nut-Lock
13	256-311	4	Bushing-Split	34	93-2279	1	Clamp - Cable
14	33115-090	1	Screw-HH	35	3256-24	2	Washer-Flat
15	33023-00	2	Nut-Lock	36	33115-016	1	Screw-HH
16	93-2099	1	Cable-Control, Traction	37	33014-00	1	Nut-Hex
16:1	3220-1	2	Nut-Jam	38	2411-38	1	Joint-Ball
17	33024-00	4	Nut-Lock	39	302-5	1	Fitting-Grease
18	17-9420	1	Screw - Handle				
19	94-1373	1	Bracket - Lock				
20	94-1372	1	Bracket - Mow				
21	94-1375	1	Trunnion-Bracket, Lock				
22	94-1374	1	Trunnion-Bracket, Mow				
23	94-1386	1	Shaft-Pedal, Pivot				

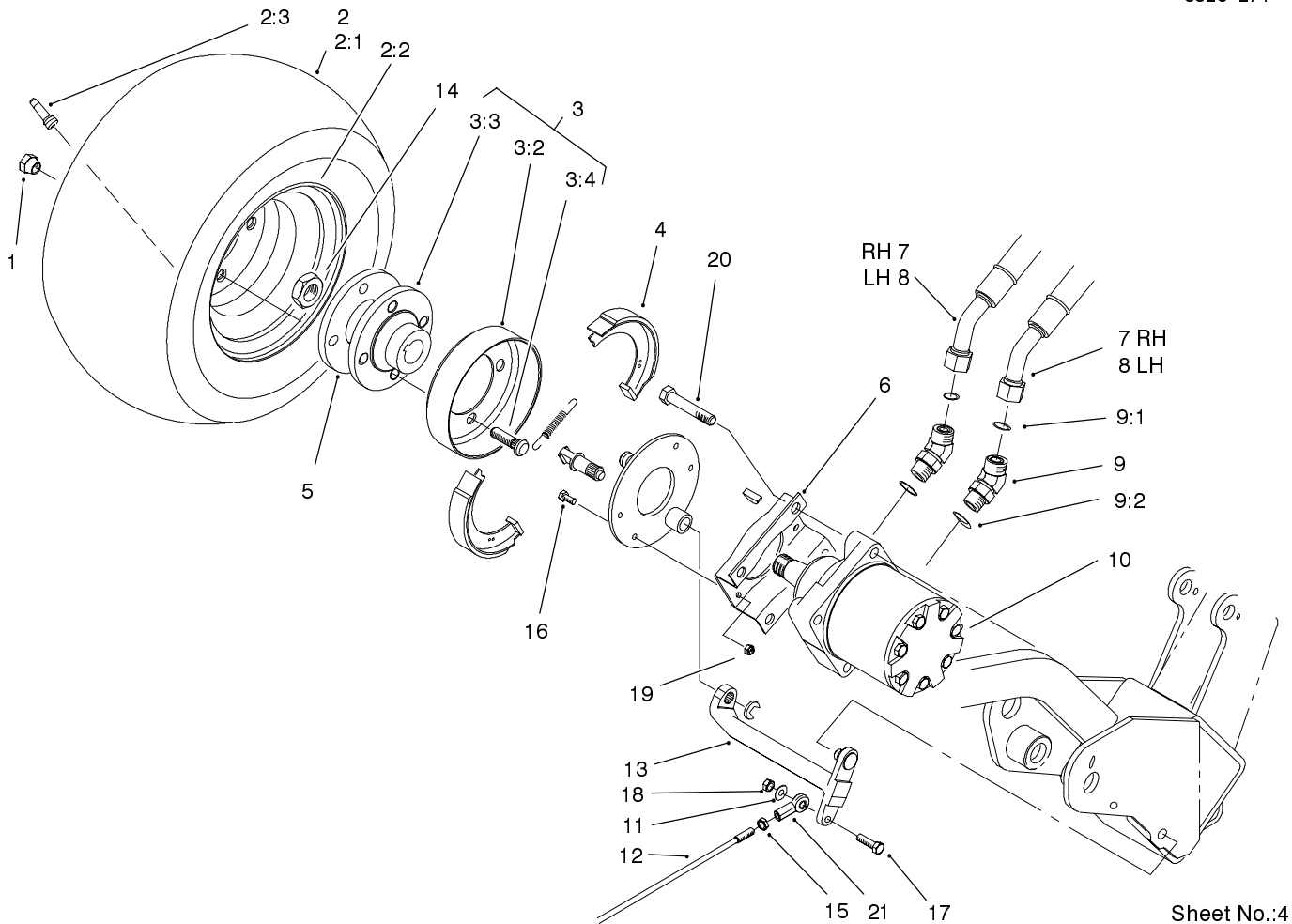


Sheet No.:3

Brake Pedal Assembly

Ref. No.	Part No.	Qty.	Description
1	33023-00	2	Nut-Lock
2	104-7704	1	Spring-Brake Latch
3	3220-2	2	Nut
4	93-2010-01	1	Frame
5	93-8062	1	Decal-Brake, Parking
6	33123-016	2	Screw-CARR
7	33123-016	1	Screw-CARR
8	48-8010	1	Washer
9	49-7810	1	Nut-Lock
10	32144-14	5	Screw-HWH
11	104-2096	1	Bracket-Switch
12	104-7703	1	Hinge-Lower
13	104-2094	1	Brake-Latch
14	104-7702	1	Plate-Switch
15	83-1700	3	Bushing - Flange
16	93-2073-01	1	Shield-Wheel, LH
17	93-2072-01	1	Shield-Wheel, RH
18	283-61	2	Pin-Yoke
19	282-2	2	Yoke
20	3272-6	2	Pin-Cotter
21	93-2075-01	1	Pedal-Brake
22	93-7629	1	Pad-Foot, Brake
23	283-87	2	Pin-Clevis
24	3256-27	2	Washer-Flat
25	3272-11	2	Pin-Cotter
26	33024-00	1	Nut-Lock

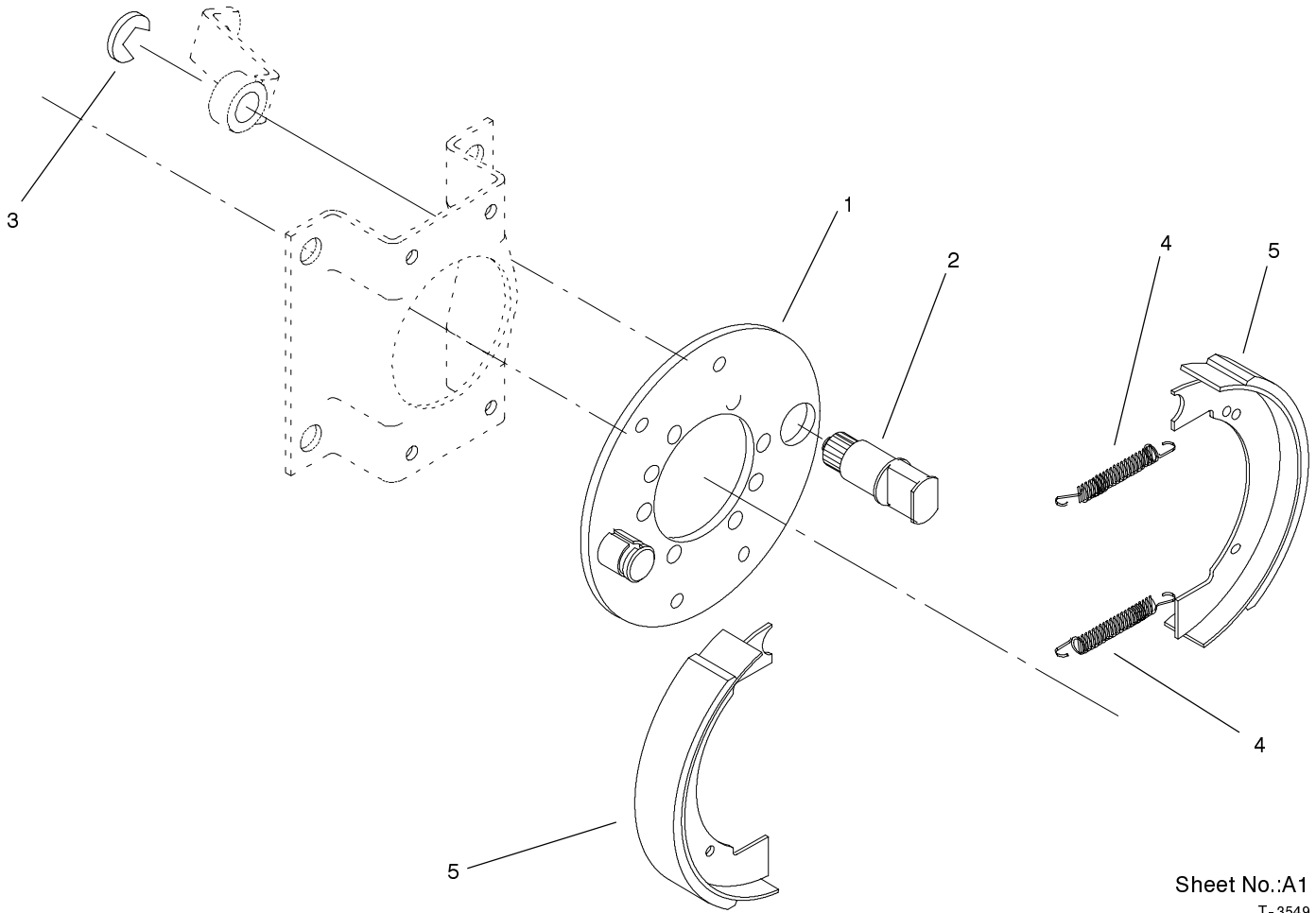
Ref. No.	Part No.	Qty.	Description
27	33114-020	1	Screw-HH
28	32121-50	1	Pin-Spring
29	104-2057	1	Sensor



Front Wheel and Brake Assembly

Ref. No.	Part No.	Qty.	Description
1	242-50	8	Nut - Lug
2	99-8186	2	Tire ASM
2:1	70-8500	1	Tire
2:2	94-6116	1	Wheel - Rear
2:3	232-27	1	Stem-Valve
3	10-6821	2	Brake Drum ASM
3:2	10-6850	1	Drum-Brake
3:3	10-6870-03	1	Hub-Wheel
3:4	85-6540	4	Stud-Drive
4	104-7705	2	Brake ASM
5	92-9154-03	2	Plate-Bearing
6	84-2000-03	2	Bracket-Brake
7	94-5357	2	Hose ASM
8	94-5358	2	Hose ASM
9	340-14	4	Fitting-Hyd, 45 DEG
9:1	237-65	1	O-Ring
9:2	237-80	1	O-Ring
10	92-9199	2	Motor-Hyd
11	3256-23	2	Washer-Flat
12	93-2069	2	Rod - Brake
13	93-2096	2	Lever - Brake
14	26-3790	2	Nut-Lock
15	3220-20	2	Nut-Jam
16	33113-020	8	Screw-HH
17	33114-030	2	Screw-HH
18	33024-00	2	Nut-Lock

Ref. No.	Part No.	Qty.	Description
19	33023-00	8	Nut-Lock
20	33116-060	8	Screw-HH
21	93-2070	2	Clevis - Swivel

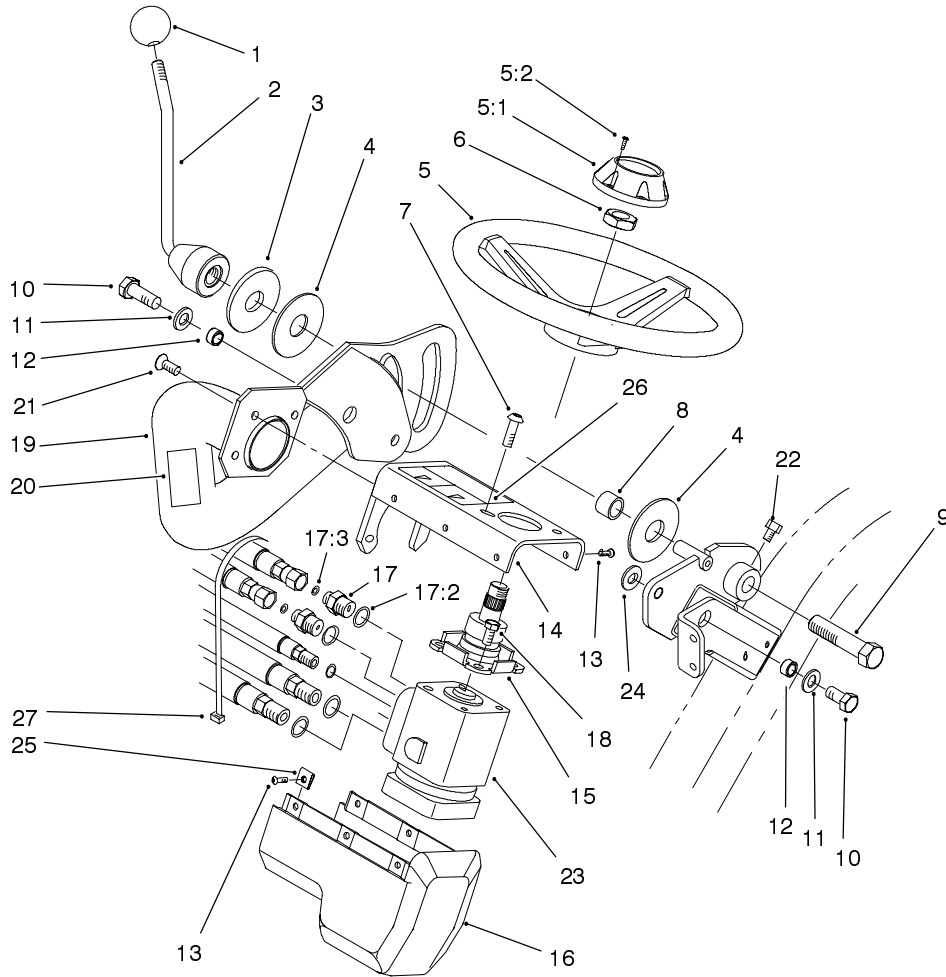


Sheet No.:A1
T-3549

Brake Assembly No. 104-7705

Ref. No.	Part No.	Qty.	Description
1	70-9870	1	Plate-Backing
2	104-7707	1	Cam Shaft-Brake
3	104-7706	1	E-Ring-Bowed
4	70-9880	2	Spring-Return
5	70-9840	2	Shoe-Brake

Ref. No.	Part No.	Qty.	Description

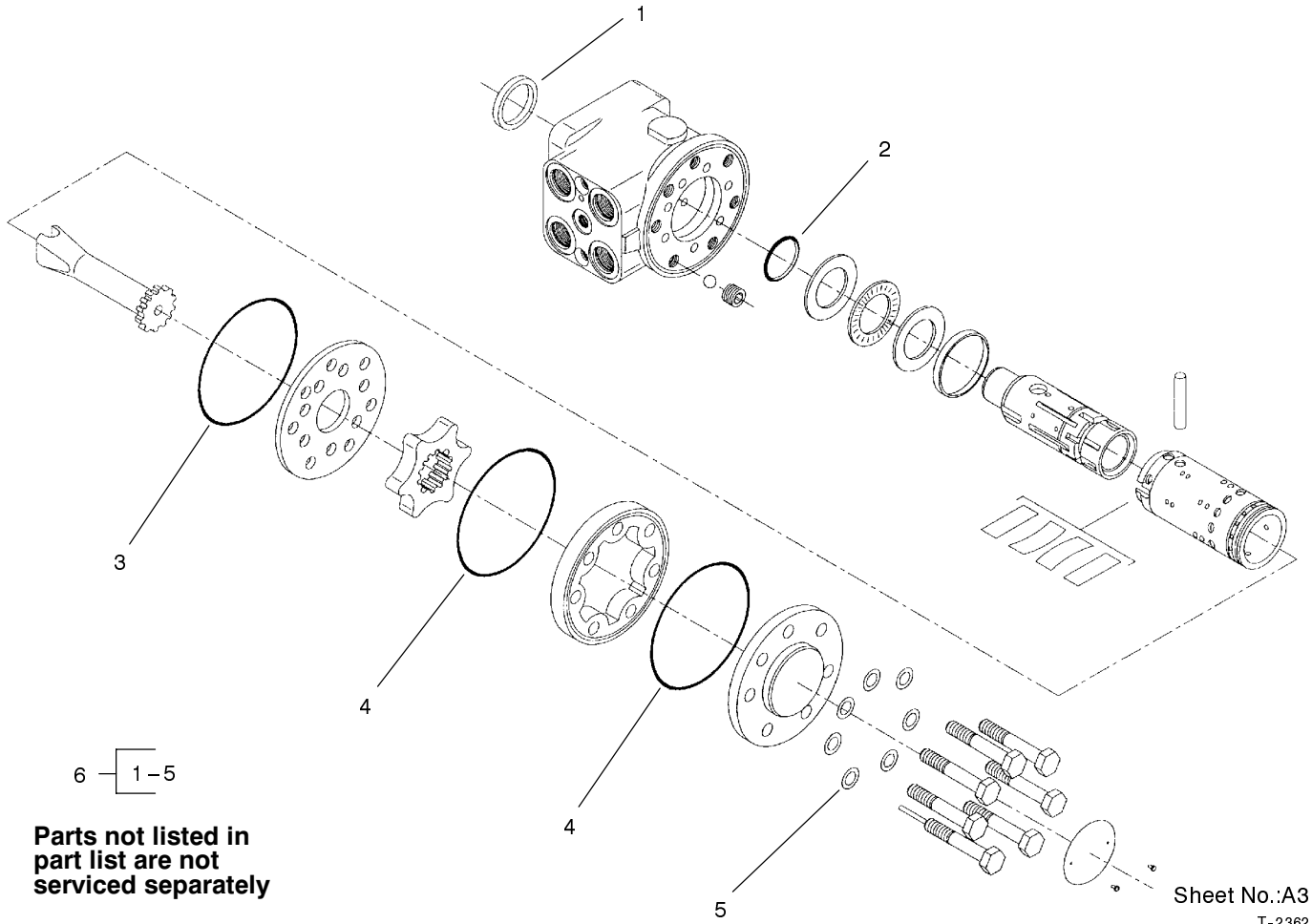


Sheet No.:5

Steering Arm Assembly

Ref. No.	Part No.	Qty.	Description
1	233-48	1	Knob
2	93-2400-03	1	Handle-Lockup
3	83-0760	1	Spacer-Plate, Lockup
4	83-0740	2	Disc - Friction
5	68-5130	1	Wheel-Steering
5:1	68-5140	1	Cap-Wheel, Steering
5:2	32144-21	1	Screw
6	47-6990	1	Nut
7	3274-63	2	Screw-HSH
8	83-0730	1	Spacer-Lockup
9	93-2199	1	Screw - HH (RH)
10	325-4	2	Screw-HH
11	3256-26	2	Washer-Flat
12	47-2890	2	Bushing
13	3274-39	6	Screw-HSBH
14	94-3461-03	1	Cover-Steering
15	83-1420	1	Column-Steering
16	94-6366	1	Cover-Valve, Steering
17	340-133	2	Adapter
17:2	237-79	1	O-Ring
17:3	237-21	1	O-Ring
18	323-4	2	Screw-HH
19	93-2115-01	1	Arm-Steering
20	93-8068	1	Decal-Arm, Steering
21	3274-80	3	Screw-HH
22	3242-2	1	Screw-SQH

Ref. No.	Part No.	Qty.	Description
23	93-2120	1	Valve-Control, Steering
24	65-6390	1	Washer - Thrust, Plain
25	3290-277	6	Nut-Speed
26	93-8063	1	Decal-Warning (Europe)
26	104-2053	1	Decal-Warning
27	3290-379	1	Tie-Cable



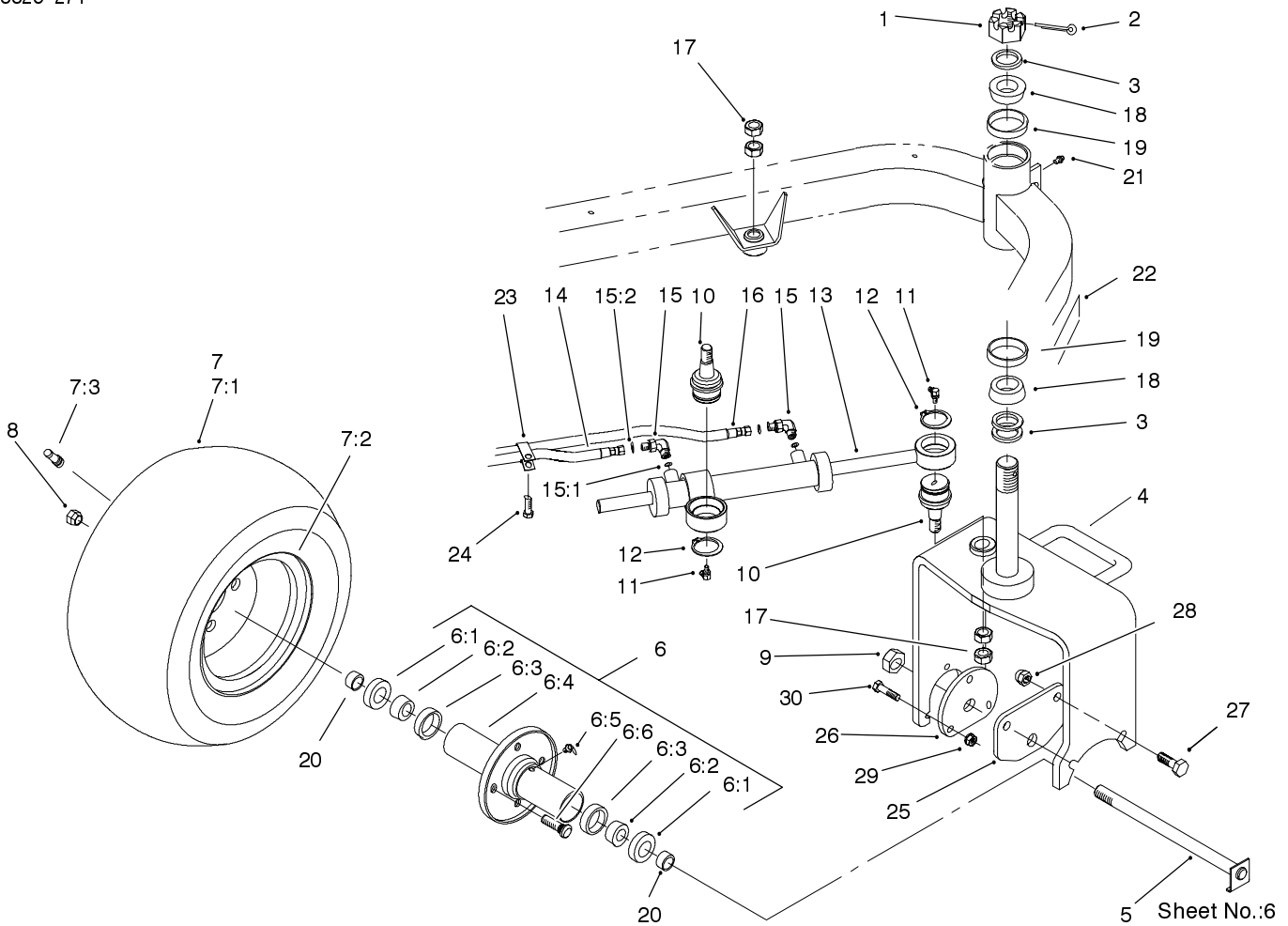
Parts not listed in part list are not serviced separately

Sheet No.:A3
T-2362

Steering Control Valve Assembly No. 93-2120

Ref. No.	Part No.	Qty.	Description
6	94-4929	1	Kit - Seal

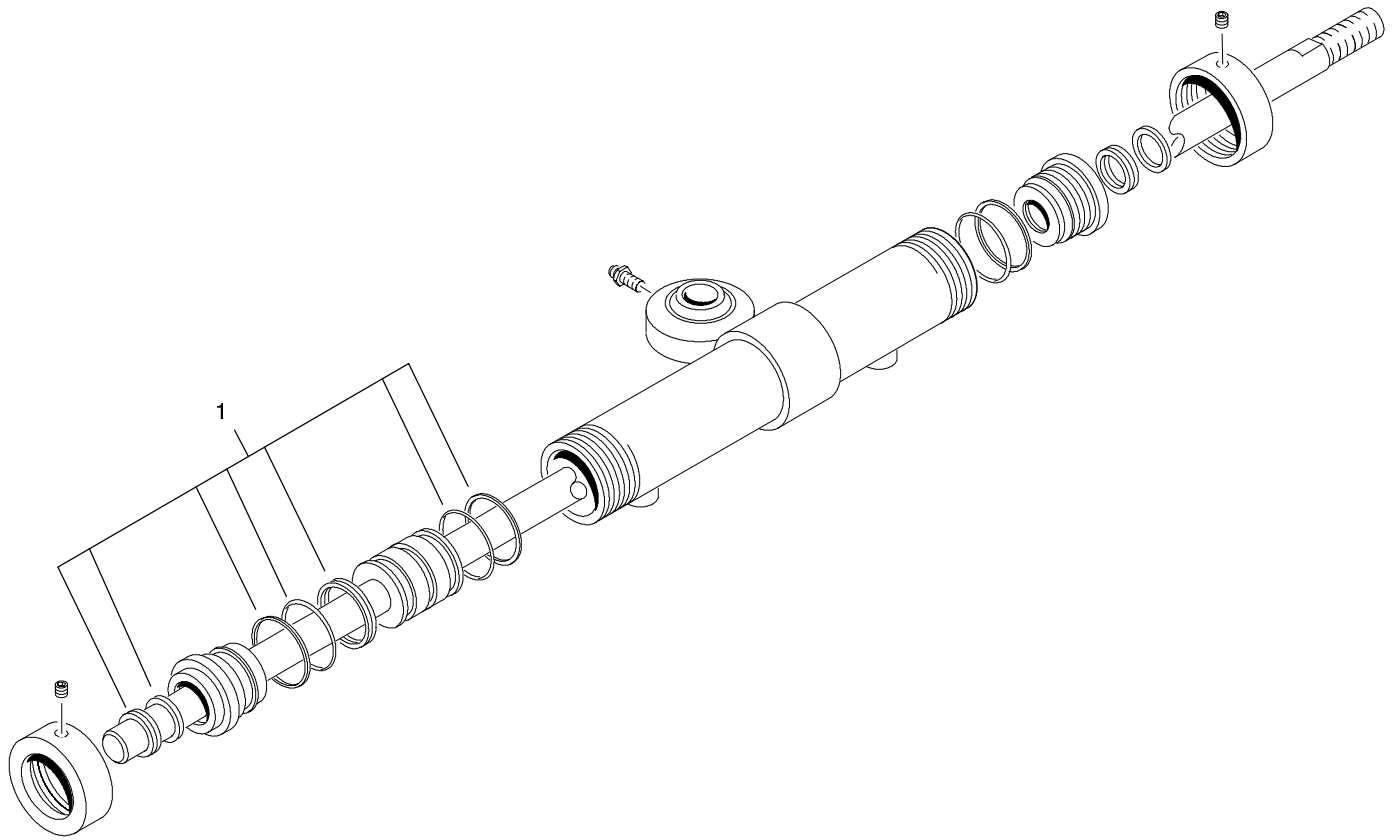
Ref. No.	Part No.	Qty.	Description



Rear Wheel Assembly

Ref. No.	Part No.	Qty.	Description
1	32136-9	1	Nut-Hex, Slot
2	3272-37	1	Pin-Cotter
3	18-6320	3	Washer-Steering
4	99-1492-01	1	Castor Fork ASM
5	70-8370	1	Bolt
6	72-9710	1	Hub-Tire, Sulky
6:1	253-111	2	Seal-Oil
6:2	254-78	2	Bearing-Cone
6:3	254-79	2	Bearing-Roller, Cup
6:4	75-9440	1	Hub ASM
6:5	302-55	1	Zerk
6:6	10-6830	4	Stud-Type, Drive
7	99-8186	1	Tire ASM
7:1	70-8500	1	Tire
7:2	94-6116	1	Wheel - Rear
7:3	232-27	1	Stem-Valve
8	242-50	4	Nut - Lug
9	3296-67	1	Nut-Lock NI
10	92-5838	2	Joint-Ball
11	302-60	2	Fitting-Lube
12	32151-104	2	Ring-Retaining, External
13	93-2122	1	Steering Cylinder ASM
14	93-2270	1	Hydraulic Hose ASM
15	340-132	2	Fitting-Hyd, 90 DEG
15:1	237-78	1	O-Ring

Ref. No.	Part No.	Qty.	Description
15:2	237-21	1	O-Ring
16	93-2269	1	Hydraulic Hose ASM
17	3220-6	4	Nut-Jam
18	254-70	2	Bearing-Cone
19	254-61	2	Bearing-Cup
20	70-8490	2	Spacer-Spindle, Rear
21	302-5	1	Fitting-Grease
22	99-1493	1	Decal-Greensmaster 3250-D
23	92-5753	1	Clamp-Hose
24	32144-14	1	Screw-HWH
25	99-1485-01	1	Plate-Adapter, Motor
26	99-1486-01	1	Plate-Adapter
27	325-6	2	Screw-HH
28	3296-23	2	Nut-Lock, NI
29	3296-39	3	Nut-Lock, NI
30	323-8	3	Screw-HH

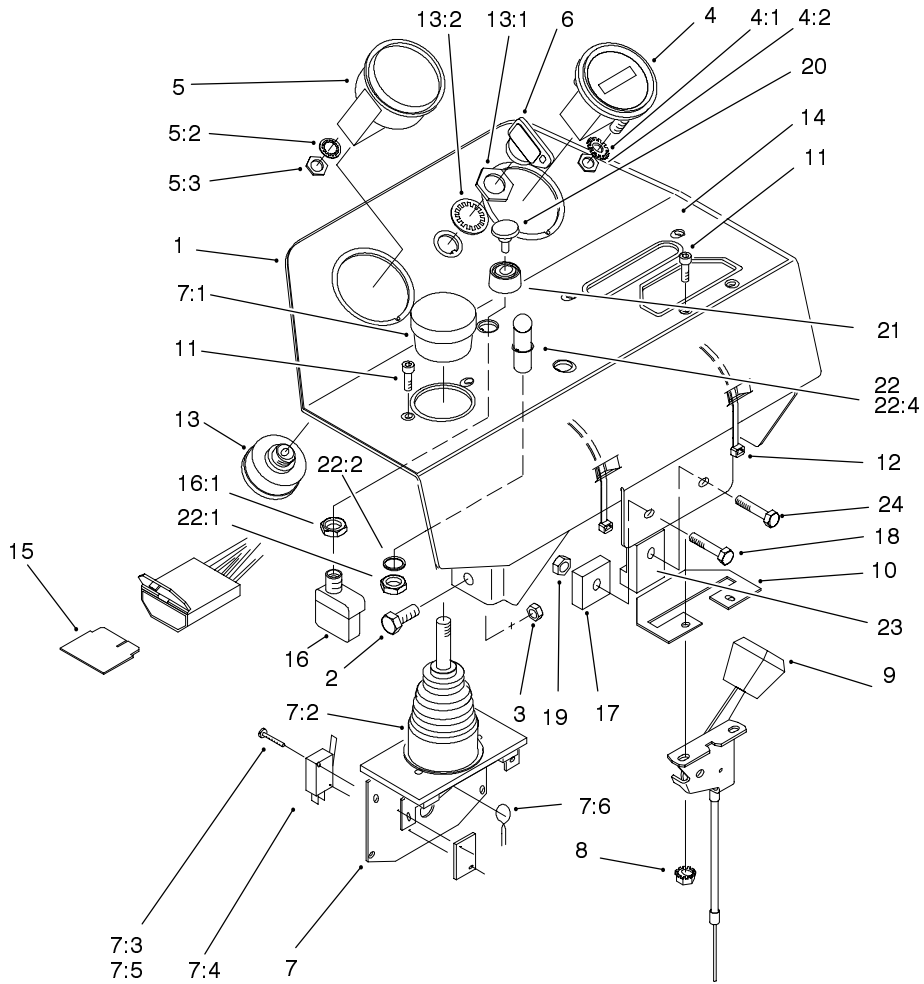


Sheet No.:A4
T-3721

Steering Cylinder Assembly No. 93-2122

Ref. No.	Part No.	Qty.	Description
1	94-4398	1	Kit-Repair, Seal

Ref. No.	Part No.	Qty.	Description



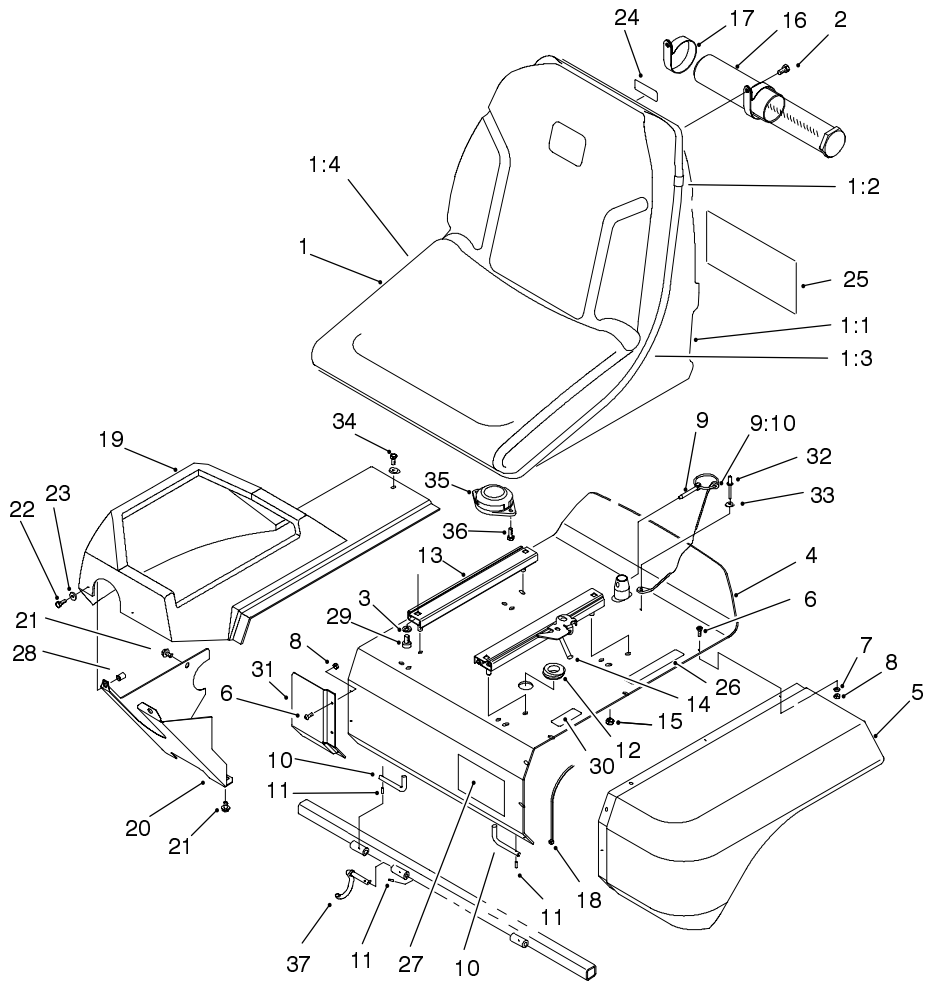
Sheet No.:7

Console Assembly

Ref. No.	Part No.	Qty.	Description
1	100-3185-03	1	Console ASM
2	33114-020	4	Screw-HH
3	33024-00	4	Nut-Lock
4	66-2950	1	Gauge-Hourmeter
4:1	3255-20	2	Washer-Lock
4:2	3217-25	2	Nut-Hex
5	93-7053	1	Cluster-Lamp, Warning
*5:1	219-17	4	Bulb
5:2	3254-1	1	Washer-Lock/Int
5:3	3217-26	1	Nut-Hex
6	63-8360	1	Key-Ignition
7	98-2195	1	Joystick
7:1	3290-489	1	Knob
7:2	3290-488	1	Boot
7:3	3290-354	2	Nut-Speed
7:4	218-590	2	Switch
7:5	3290-93	4	Screw-Head, Pan
7:6	93-3625	1	Spring - Return
8	32149-8	2	Nut-Keps
9	99-8150	1	Control-Throttle (Diesel)
10	99-8195-03	1	Plate-Cover
11	3273-26	4	Screw-HSH
12	3290-378	2	Tie-Cable
13	27-2360	1	Switch-Key

Ref. No.	Part No.	Qty.	Description
13:1	218-446	1	Nut-Hex
13:2	218-447	1	Washer-Lock
14	100-3183	1	Decal-Panel, Control
15	92-3188	1	Diode-Board, Circuit
16	72-9760	1	Switch
16:1	218-498	1	Locknut-Hex
17	92-2538	1	Timer-Plug, Glow
18	33113-030	1	Screw-HH
19	33023-00	2	Nut-Lock
20	43-6280	1	Button-Push
21	43-6420	1	Bezel
22	44-2212	1	Amber Indicator Light ASM
22:1	218-535	1	Nut-Hex
22:2	218-536	1	Washer-Lock
22:4	218-562	1	Lens
23	99-9666	1	Module
24	33113-020	1	Screw-HH

* Not illustrated

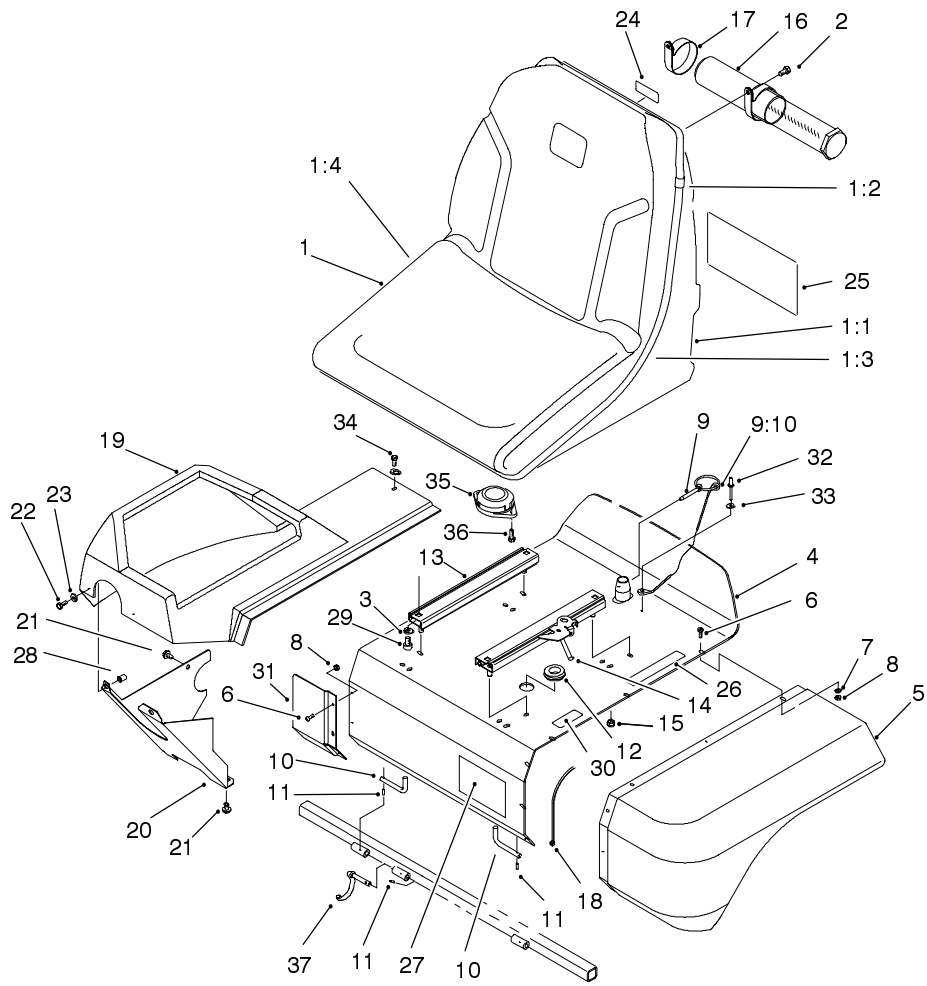


Sheet No.:9

Seat Assembly

Ref. No.	Part No.	Qty.	Description
1	100-3187	1	Seat ASM
1:1	92-6534	1	Shell
1:2	351-80	1	Clip
1:3	351-78	1	Edging
1:4	100-3187	1	Cushion-Replacement
2	322-2	2	Screw-HH
3	3256-23	4	Washer-Flat
4	93-2135-03	1	Seat Support
5	93-2128	1	Panel-Base, Seat
6	3274-39	9	Screw-HSBH
7	3256-77	6	Washer-Flat
8	3296-12	9	Nut-Lock
9	77-3780	1	Pin ASM
9:10	28-8070	1	Lanyard
10	93-2422	2	Rod-Pivot, Seat
11	32121-7	3	Pin-Spring
12	237-100	1	Grommet
13	92-8990	1	Adjuster - 7"
14	92-8991	1	Adjuster W/Latch
15	3296-29	4	Nut-Lock
16	74-0720	1	Tube-Manual
17	2412-133	2	R-Clamp
18	3290-378	1	Tie-Cable
19	99-4208	1	Shroud-Console
20	94-4547-01	1	Panel - Lower, RH
21	32144-14	2	Screw-HWH

Ref. No.	Part No.	Qty.	Description
22	33113-016	2	Screw-HH
23	3256-1	3	Washer-Flat
24	93-8067	1	Decal-Oil, Hyd
25	100-3150	1	Decal-Service
25	100-3151	1	Decal-Spanish
25	100-3152	1	Decal-French
25	100-3153	1	Decal-German
25	100-3154	1	Decal-Swedish
25	100-3155	1	Decal-Italian
25	100-3156	1	Decal-Portuguese
25	100-3157	1	Decal-Norwegian
25	100-3158	1	Decal-Finnish
25	100-3159	1	Decal-Danish
25	100-3160	1	Decal-Dutch
25	100-3161	1	Decal-Japan
26	93-6689	1	Decal - No Riders
27	94-2579	1	Decal - Toro
28	93-5447	2	Nut-Clinch
29	3274-12	4	Screw-HSH
30	93-7252	1	Decal-International
31	94-4546-01	1	Panel-Extension
32	3290-282	1	Rivet-Pop, Steel
33	3256-49	1	Washer-Flat
34	33113-012	1	Screw-HH
35	92-6282	1	Switch-Seat
36	32144-10	2	Screw-HWH

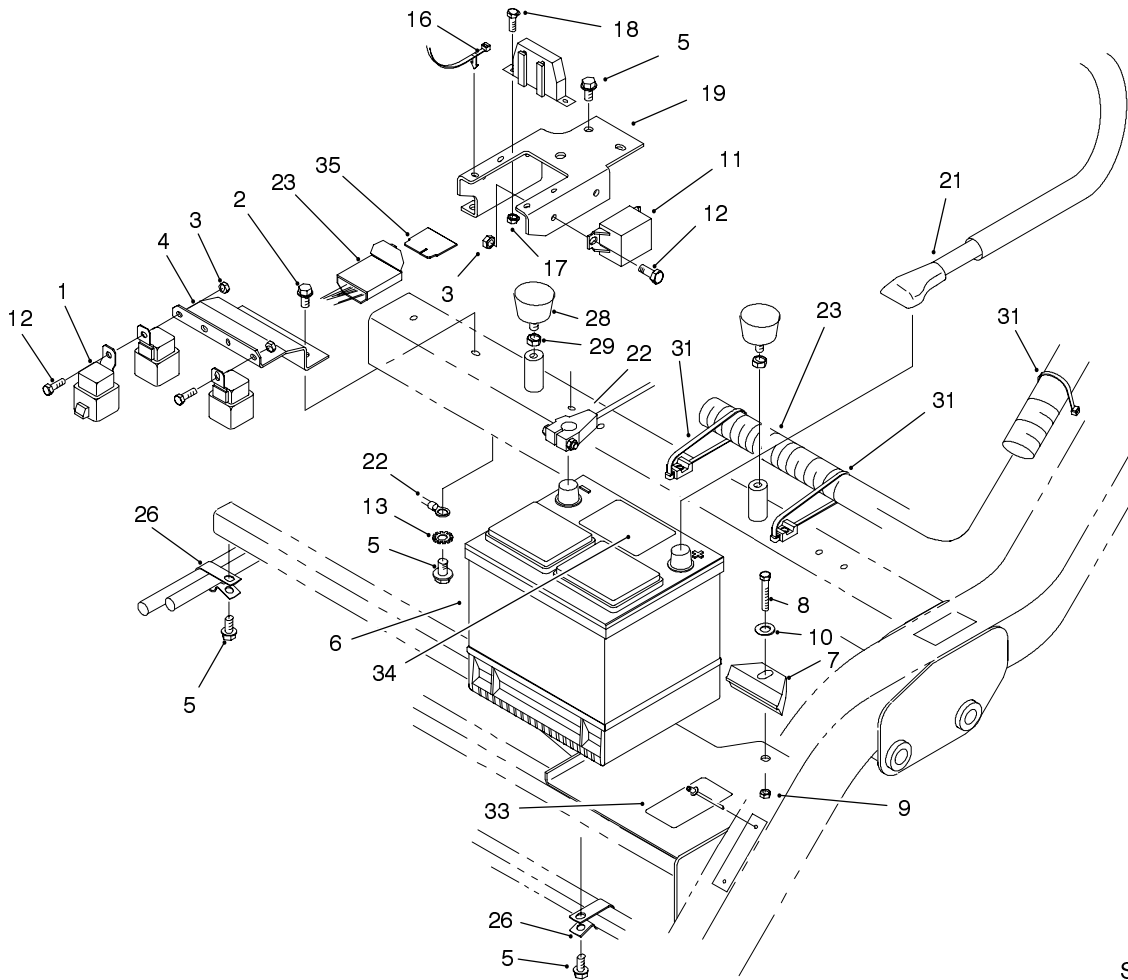


Sheet No.:9

Seat Assembly (Continued)

Ref. No.	Part No.	Qty.	Description
37	99-4247	1	Wire-Hook

Ref. No.	Part No.	Qty.	Description

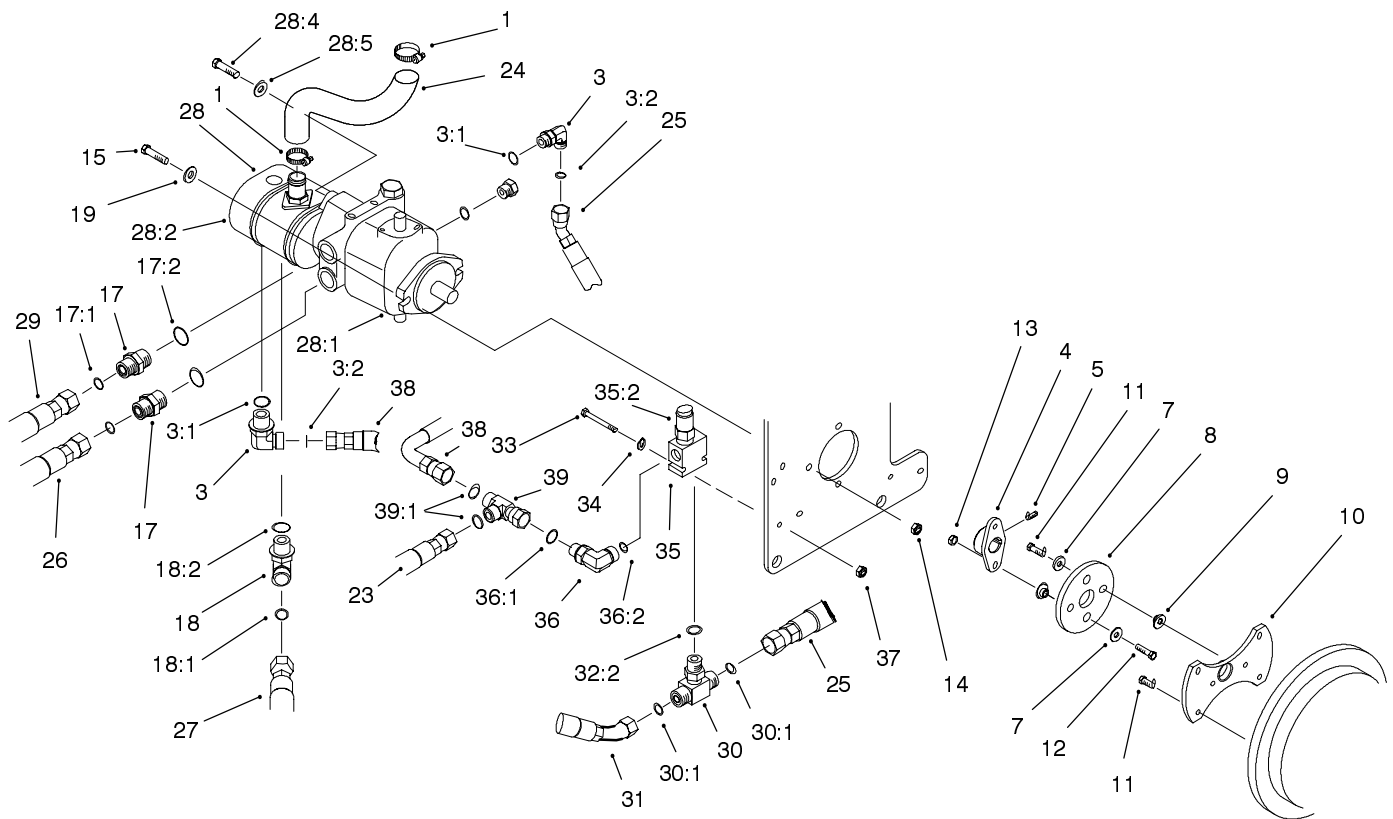


Sheet No.:10

Electronics Installation Assembly

Ref. No.	Part No.	Qty.	Description
1	70-1480	8	Relay
2	32144-11	2	Screw-TAP
3	33023-00	6	Nut-Lock
4	93-2169-01	1	Bracket - Relay
5	32144-14	5	Screw-HWH
6	66-2750	1	Battery
7	66-2490	1	Retainer-Battery
8	33115-040	1	Screw-HH
9	33025-00	1	Nut-Lock
10	3256-24	1	Washer-Flat
11	66-8800	1	Relay
12	33113-016	6	Screw-HH
13	3254-2	1	Washer-Lock, Internal
16	94-1325	2	Tie-Mount, Push
17	3296-2	2	Nut-Lock
18	32105-13	2	Screw-Shh
19	100-3186-03	1	Bracket-Holder, Fuse
21	95-8853	1	Cable-Battery, Positive
22	99-8167	1	Cable-Battery, Negative
23	104-7700	1	Wire Harness-Main
26	92-5753	2	Clamp-Hose
28	68-3270	2	Bumper-Rubber
29	3218-2	2	Nut-Jam
31	3290-378	6	Tie-Cable

Ref. No.	Part No.	Qty.	Description
33	93-6668	1	Decal - Battery
34	93-7276	1	Decal-Danger
35	92-3188	1	Diode-Board, Circuit



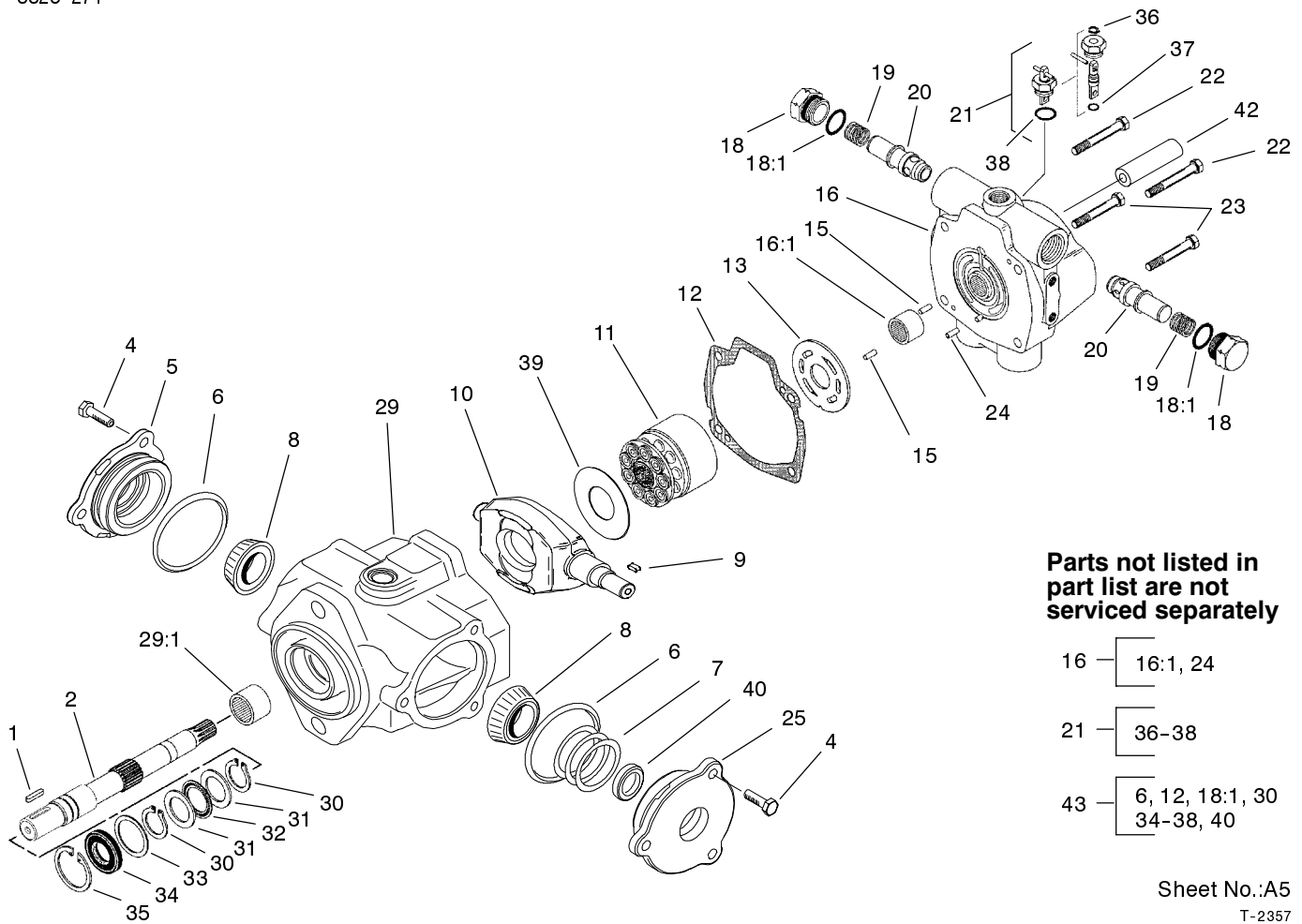
Sheet No.:11

Hydrostat and Gear Pump Drive Assembly

Ref. No.	Part No.	Qty.	Description
1	2412-34	2	Clamp-Hose
3	340-18	2	Fitting-Hyd, 90 DEG
3:1	237-79	1	O-Ring
3:2	237-22	1	O-Ring
4	93-2589	1	Hub - Pump
5	3241-6	2	Screw-SQH
7	3256-3	2	Washer-Flat
8	80-8650	1	Coupling - Drive
9	27-6600	4	Spacer-Coupling, Rubber
10	93-2220-03	1	Adapter-Pump
11	33114-020	6	Screw-HH
12	33114-030	1	Screw-HH
13	33024-00	2	Nut-Lock
14	33025-00	2	Nut-Lock
15	33115-040	2	Screw-HH
17	340-8	2	Adapter
17:1	237-65	1	O-Ring
17:2	237-81	1	O-Ring
18	340-17	1	Adapter
18:1	237-65	1	O-Ring
18:2	237-80	1	O-Ring
19	100-4852	2	Washer - Hardened
23	99-4218	1	Hose ASM
24	99-1905	1	Hose-Inlet, Pump
25	94-6384	1	Hose ASM

Ref. No.	Part No.	Qty.	Description
26	99-4220	1	Hose ASM
27	99-4216	1	Hose ASM
28	99-8152	1	Pump-Gear, Hydro
28:1	100-3174	1	Hydrostat ASM
28:2	94-6390	1	Pump-Gear
*28:3	60-3520	1	O-Ring
28:4	3274-1	2	Screw-HSH
28:5	3256-24	2	Washer-Flat
29	99-4217	1	Hose ASM
30	340-94	1	Adapter
30:1	237-22	2	O-Ring
30:2	237-42	1	O-Ring
31	99-4215	1	Hose ASM
33	33113-050	2	Screw-HH
34	3256-22	2	Washer-Flat
35	94-6385	1	Valve - Relief
35:2	94-6386	1	Cartridge-Valve, Relief
36	340-77	1	Fitting-90 DEG
36:1	237-22	1	O-Ring
36:2	237-42	1	O-Ring
37	33023-00	2	Nut-Lock
38	99-4219	1	Hose ASM
39	340-115	1	Fitting-Tee
39:1	237-22	2	O-Ring

* Not illustrated



Parts not listed in part list are not serviced separately

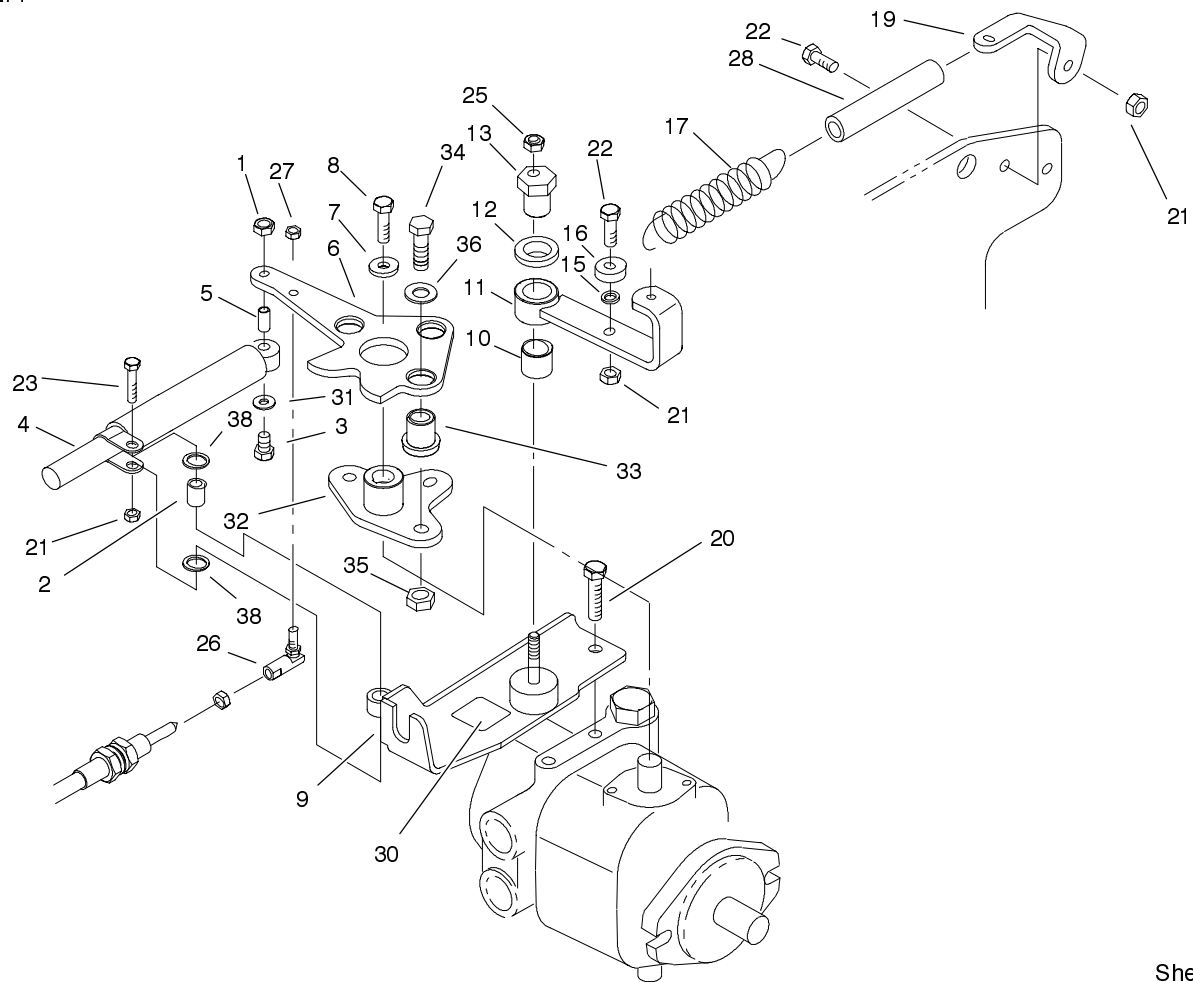
- 16 — 16:1, 24
- 21 — 36-38
- 43 — 6, 12, 18:1, 30, 34-38, 40

Sheet No.:A5
T-2357

Hydrostat Assembly No. 100-3174

Ref. No.	Part No.	Qty.	Description
1	94-3645	1	Key
2	94-6359	1	Shaft - Drive
4	98-4640	6	Screw - Cap
5	98-4644	1	Cover Plate ASM
6	100-3179	2	O-Ring
7	100-3182	2	Kit-Shim
8	98-4639	2	Bearing-Cone
9	94-3646	1	Key
10	100-3175	1	Camplate
11	76-6070	1	Rotating Kit
12	33-4930	1	Gasket-Housing
13	100-3180	1	Valve-Plate
15	76-6150	2	Pin-Dowel
16	100-3177	1	Back Plate ASM
16:1	94-6368	1	Bearing
18	70-1240	2	Plug ASM
18:1	60-5980	1	O-Ring
19	100-3178	2	Spring
20	94-3644	2	Seat
21	100-3181	1	Dump Valve ASM
22	76-6170	2	Capscrew
23	76-6160	2	Capscrew
25	98-4645	1	Cover Plate ASM
29	100-3176	1	Housing ASM
29:1	94-6363	1	Bearing
30	32151-29	2	Ring-Snap, External

Ref. No.	Part No.	Qty.	Description
31	252-71	2	Bearing-Thrust
32	252-66	1	Bearing-Thrust
33	33-3720	1	Washer
34	42-2720	1	Seal-External
35	32151-13	1	Ring-Snap, Internal
39	98-4635	1	Insert-Plate, Cam
42	74-9040	1	Coupler
43	98-4643	1	Seal Repair Kit

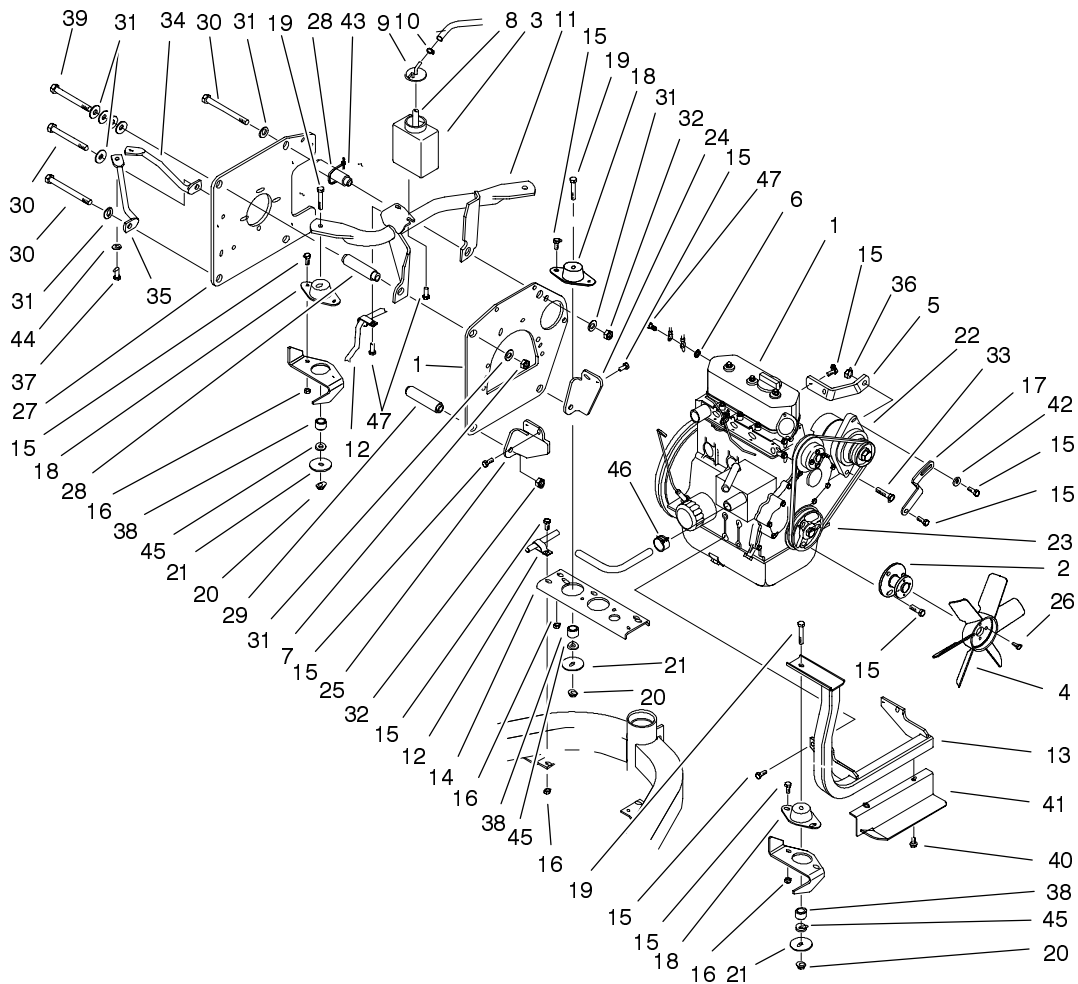


Sheet No.:12

Neutral System Assembly

Ref. No.	Part No.	Qty.	Description
1	33023-00	1	Nut-Lock
2	94-8197	1	Tube - Pivot
3	33113-030	1	Screw-HH
4	76-8870	1	Lever Damper ASM
5	94-1312	1	Spacer - Pivot
6	94-3488-03	1	Lever - Pump
7	88-7200	1	Washer-Flat
8	3210-6	1	Screw-HH
9	100-9846	1	Support-Cable
10	94-9609	1	Bushing - Straight
11	94-4527	1	Arm-Neutral
12	3-6498	1	Washer-Thrust
13	93-2111	1	Stud - Traction
15	75-5470	1	Spacer-Bearing
16	251-259	1	Bearing
17	99-4254	1	Spring-Extension
19	99-4276	1	Bracket-Spring
20	323-4	2	Screw-HH
21	33024-00	3	Nut-Lock
22	33114-025	2	Screw-HH
23	33114-030	1	Screw-HH
25	3296-29	1	Nut-Lock
26	2411-34	1	Joint-Ball
27	3296-13	1	Nut-Lock NI
28	99-4251	1	Hose-Dampener
30	93-9051	1	Decal-Bolt, Eccentric

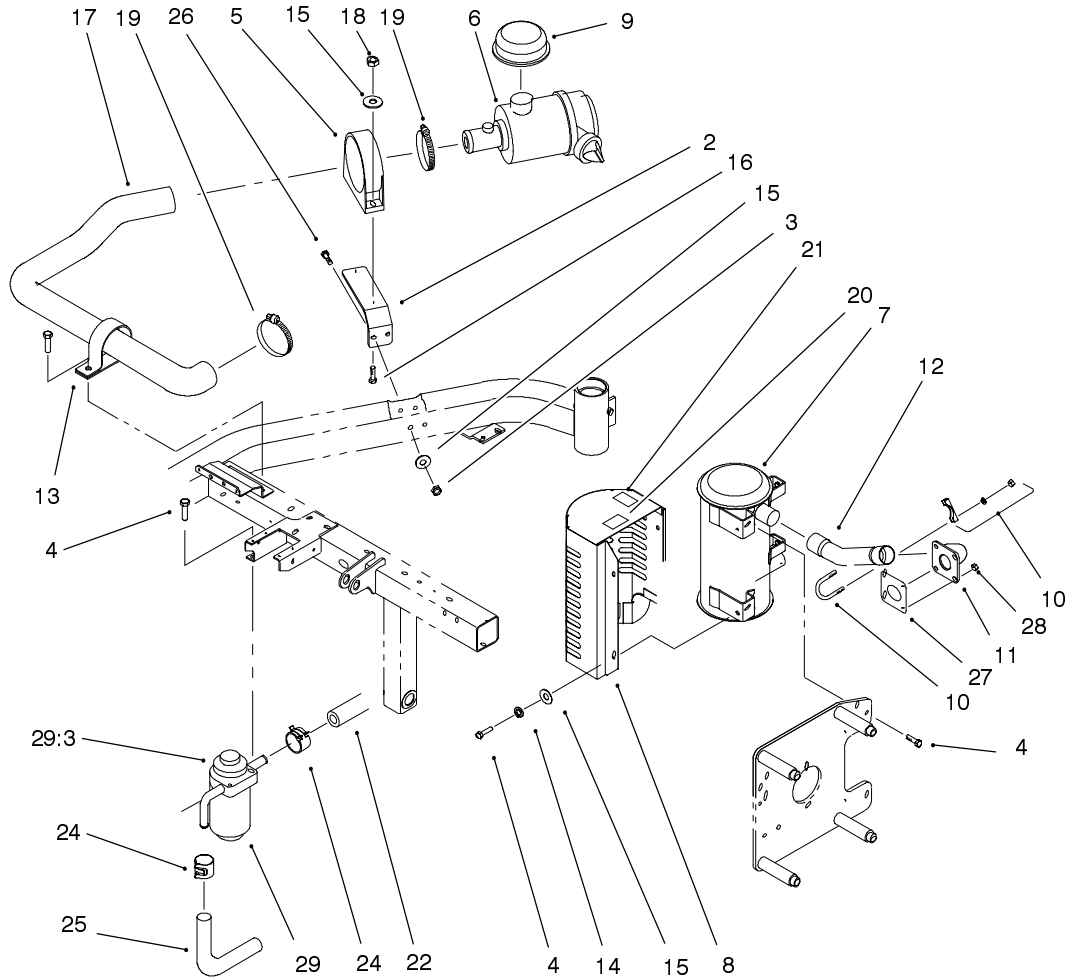
Ref. No.	Part No.	Qty.	Description
31	3256-22	1	Washer-Flat
32	94-3486	1	Plate
33	63-9750	3	Mount
34	33115-035	3	Screw-HH
35	33025-00	3	Nut-Lock
36	2844	3	Washer
38	94-8196	2	Washer - Nylon



Sheet No.:13

Engine Installation Assembly

Ref. No.	Part No.	Qty.	Description	Ref. No.	Part No.	Qty.	Description
1	99-1481	1	Engine-Briggs Daihatsu 522447-0107-E2	23	99-8153	1	Belt-V
2	99-1495	1	Adapter-Fan	24	99-4189-03	1	Bracket-Engine, LH
3	93-2049	1	Tank-Overflow	25	99-4188-03	1	Bracket-Engine, RH
4	93-2090	1	Fan-Engine	26	33113-016	4	Screw-HH
5	93-2445	1	Bracket-Alternator, Upper	27	99-4190-03	1	Plate-Pump
6	3254-2	1	Washer-Lock, Internal	28	93-2588	2	Spacer - Upper
7	51-2070	1	Nut	29	93-2174	2	Spacer
8	94-1348	1	Hose-Tank	30	33116-130	3	Screw-HH
9	93-2048	1	Cap-Tank, Overflow	31	87-7270	9	Washer - Thrust
10	2412-108	1	Clamp-Worm	32	33026-00	3	Nut-Lock
11	100-3190-03	1	Engine Mount ASM	33	33115-050	1	Screw-HH
12	92-5753	2	Clamp-Hose	34	99-4240	1	Brace-Wireform, LH
13	99-1473-03	1	Mount-Engine, Front	35	99-4238	1	Brace-Wireform, RH
14	93-2020-01	1	Bracket - Support	36	33025-00	1	Nut-Lock
15	33114-020	26	Screw-HH	37	323-4	2	Screw-HH
16	33024-00	4	Nut-Lock	38	94-4538	3	Spacer - Mount
17	93-2446	1	Bracket-Alternator, Lower	39	33116-120	1	Screw-HH
18	83-1030	3	Mount-Engine	40	32144-14	2	Screw-HWH
19	323-11	3	Screw-HH	41	94-8156-03	1	Deflector - Fan
20	3290-357	3	Nut-Flange, Lock	42	3256-3	1	Washer-Flat
21	83-1040	3	Washer - Flat	43	3290-378	2	Tie-Cable
22	99-9209	1	Alternator	44	3256-24	2	Washer-Flat
				45	66-6480	3	Washer
				46	92-2379	1	Clamp-Hose
				47	33114-016	3	Screw-HH



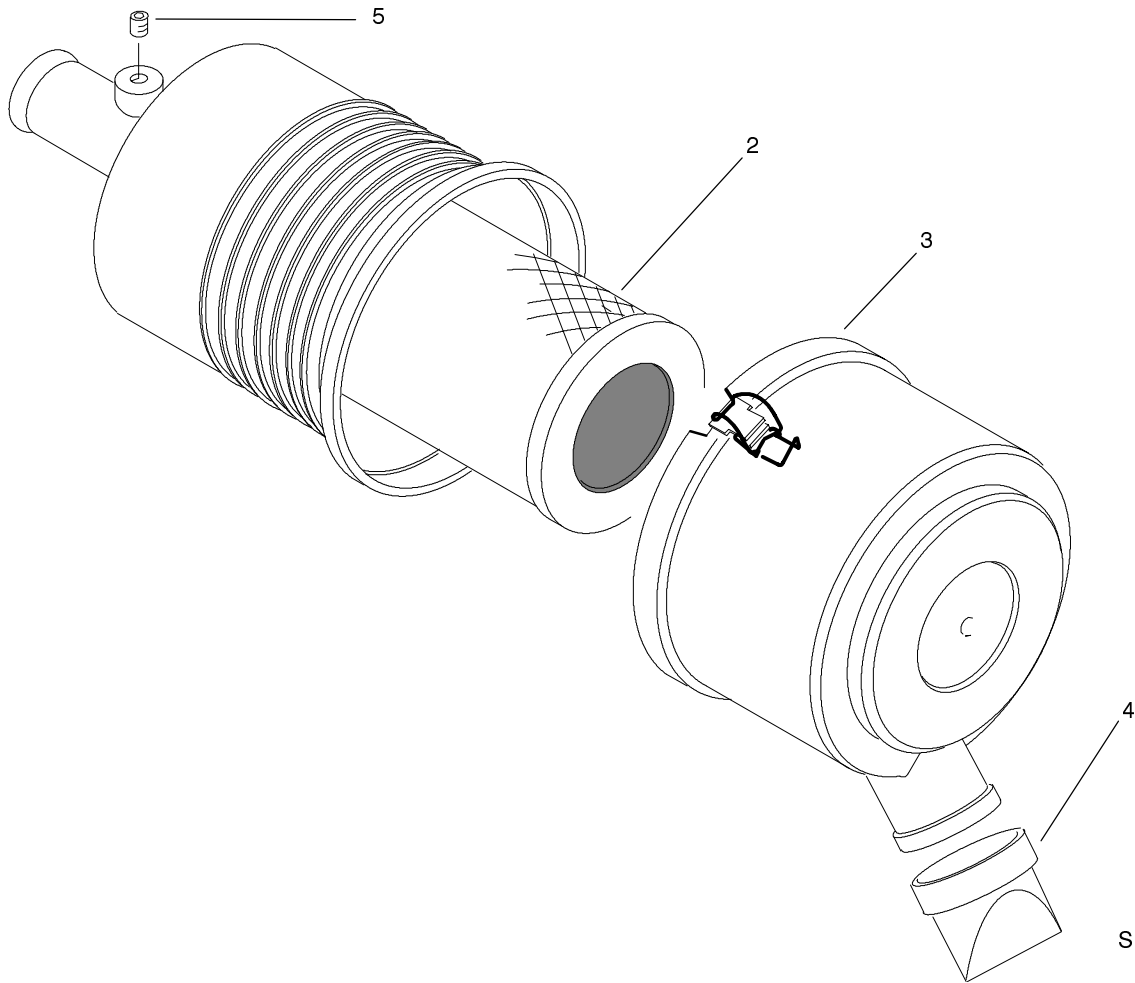
Sheet No.:14

Air Cleaner and Exhaust Assembly

Ref. No.	Part No.	Qty.	Description
2	99-4203	1	Bracket-Cleaner, Air
3	33024-00	2	Nut-Lock
4	33114-020	8	Screw-HH
5	95-5806	1	Bracket-Mounting
6	95-5805	1	Air Cleaner ASM
7	94-8153	1	Muffler
8	94-8182-03	1	Shield-Muffler
9	46-7510	1	Hood-Inlet, Air
10	2112-9	2	Clamp
11	99-1472	1	Plate-Exhaust
12	99-1494	1	Pipe - Exhaust
13	2412-107	1	R Clamp
14	3253-4	4	Washer-Lock
15	3256-23	4	Washer-Flat
16	322-16	2	Screw-HH
17	99-4204	1	Hose-Cleaner, Air
18	3296-29	2	Nut-Lock
19	2412-92	2	Clamp-Hose
20	93-8069	1	Decal-Surface, Hot
21	93-7275	1	Decal-Fluid, Starting
22	92-9283	1	Hose-Vent, Fuel
24	92-2379	2	Clamp-Hose
25	93-5553	1	Hose - Fuel
26	33114-080	2	Screw-HH
27	99-9179	1	Gasket-Exhaust
28	99-9176	4	Nut-Hex

Ref. No.	Part No.	Qty.	Description
29	100-3191	1	Separator-Fuel
*29:1	100-3192	1	Element-Filter, Fuel
*29:2	100-6409	1	Sensor-Filter, Fuel
29:3	100-6408	1	Cover-Filter

* Not illustrated

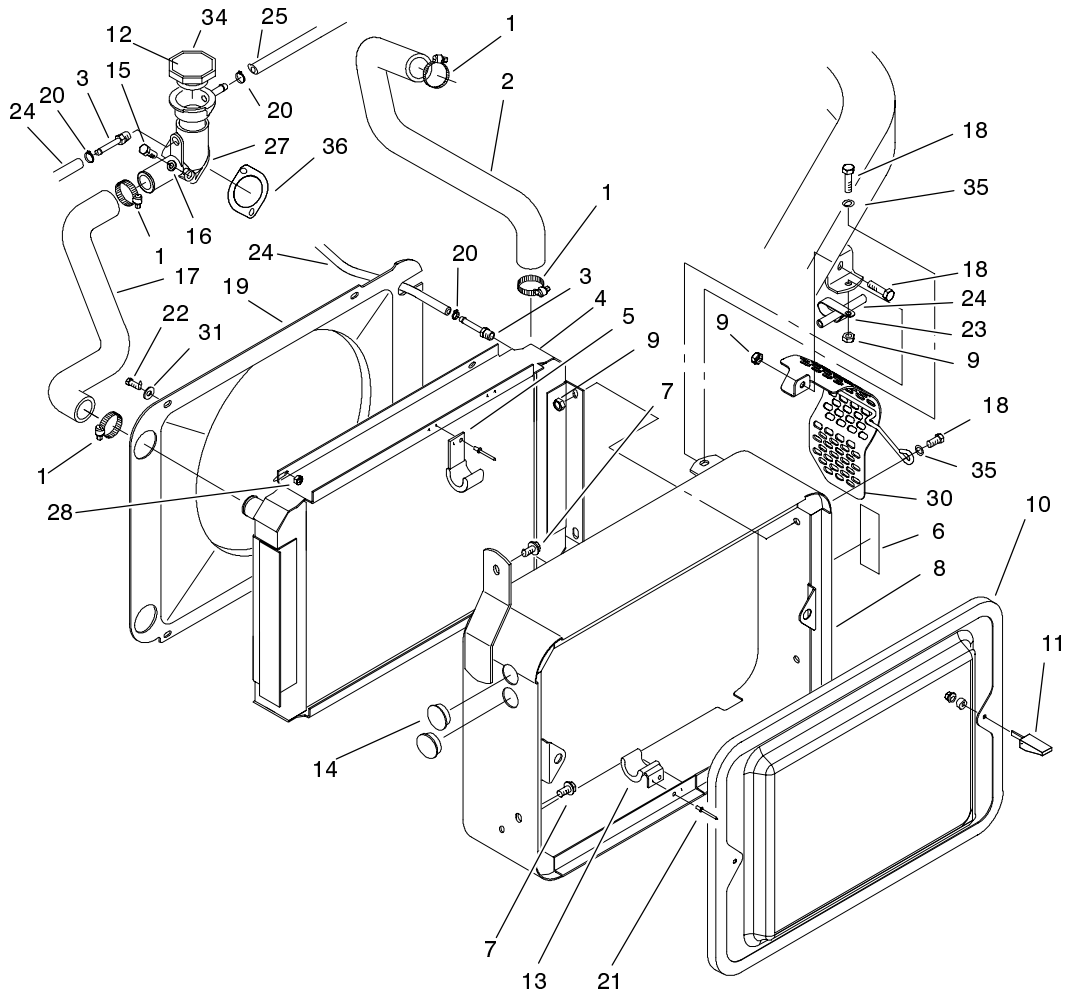


Sheet No.:A9
T-2607

Air Cleaner Assembly No. 95-5805

Ref. No.	Part No.	Qty.	Description
2	93-2195	1	Filter
3	94-3652	1	Cover ASM
4	94-1414	1	Valve-Vacuator
5	285-17	1	Plug-Pipe

Ref. No.	Part No.	Qty.	Description

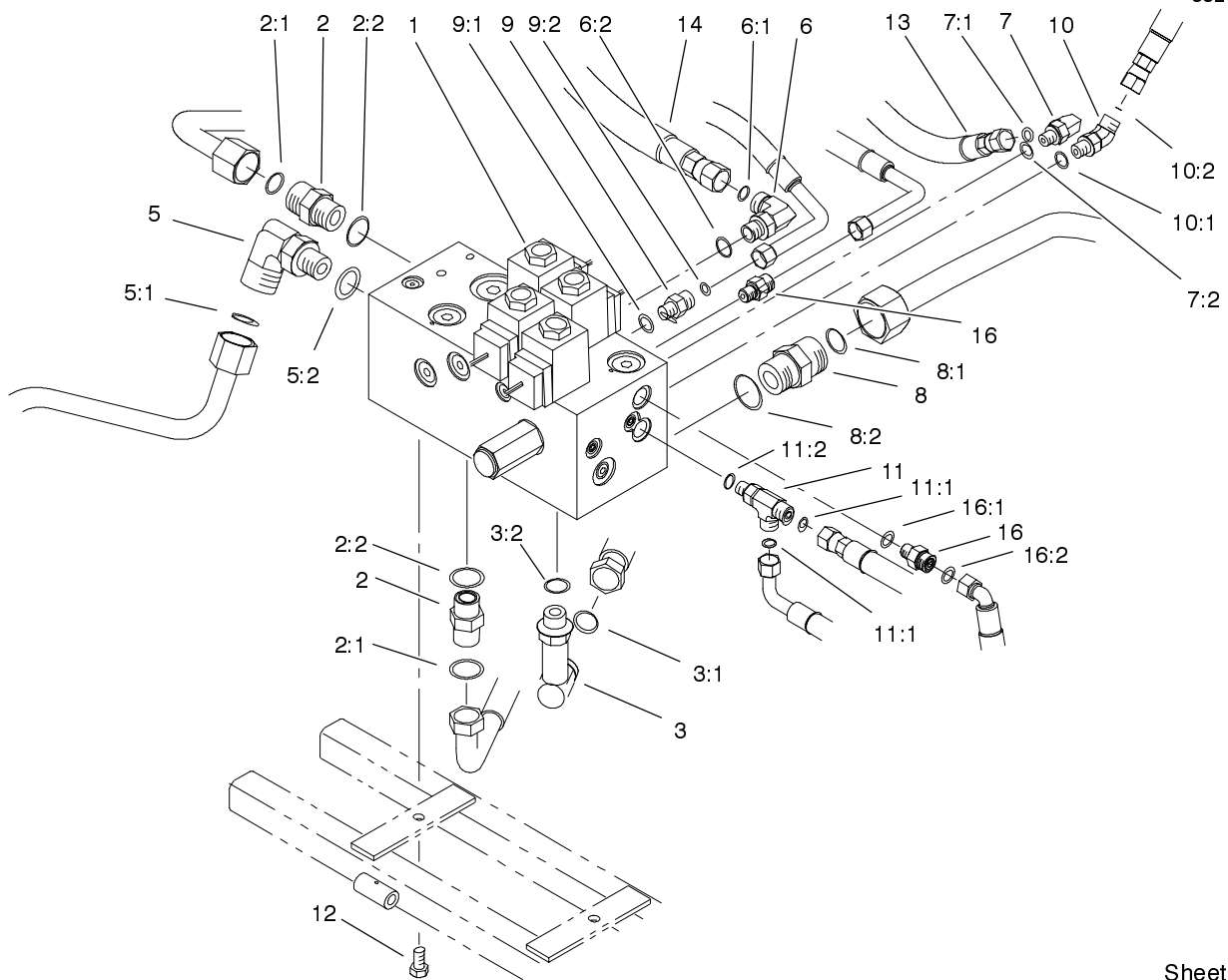


Sheet No.:15

Radiator Assembly

Ref. No.	Part No.	Qty.	Description
1	2412-34	4	Clamp-Hose
2	99-1469	1	Hose - Radiator
3	304-73	2	Connector-Hose
4	99-8193	1	Radiator
5	93-2425	2	Bracket-Cooler, Upper
6	93-6681	1	Decal-Warning, Fan
7	32144-14	2	Screw-HWH
8	100-3163-01	1	Radiator Support ASM
9	33024-00	6	Nut-Lock
10	100-3172-03	1	Screen ASM
11	74-5950	2	Latch-Swell
12	93-7840	1	Decal-Cap, Radiator
13	93-2424	2	Bracket-Cooler, Lower
14	94-4528	2	Plug
15	33113-025	2	Screw-HH
16	3253-3	2	Washer-Lock
17	93-2018	1	Hose - Radiator
18	33114-020	6	Screw-HH
19	93-2320	1	Shroud-Fan
20	2412-108	3	Clamp-Worm
21	3269-15	8	Rivet
22	33113-016	4	Screw-HH
23	92-5753	1	Clamp-Hose
24	27-4480	1	Hose
25	92-9283	1	Hose-Vent, Fuel

Ref. No.	Part No.	Qty.	Description
27	93-2448	1	Thermostat Housing ASM
28	33023-00	4	Nut-Lock
30	100-3164-03	1	Guard-Alternator
31	3256-22	4	Washer-Flat
34	66-3240	1	Cap-Radiator
35	3256-23	2	Washer-Flat
36	99-9163	1	Gasket-Outlet

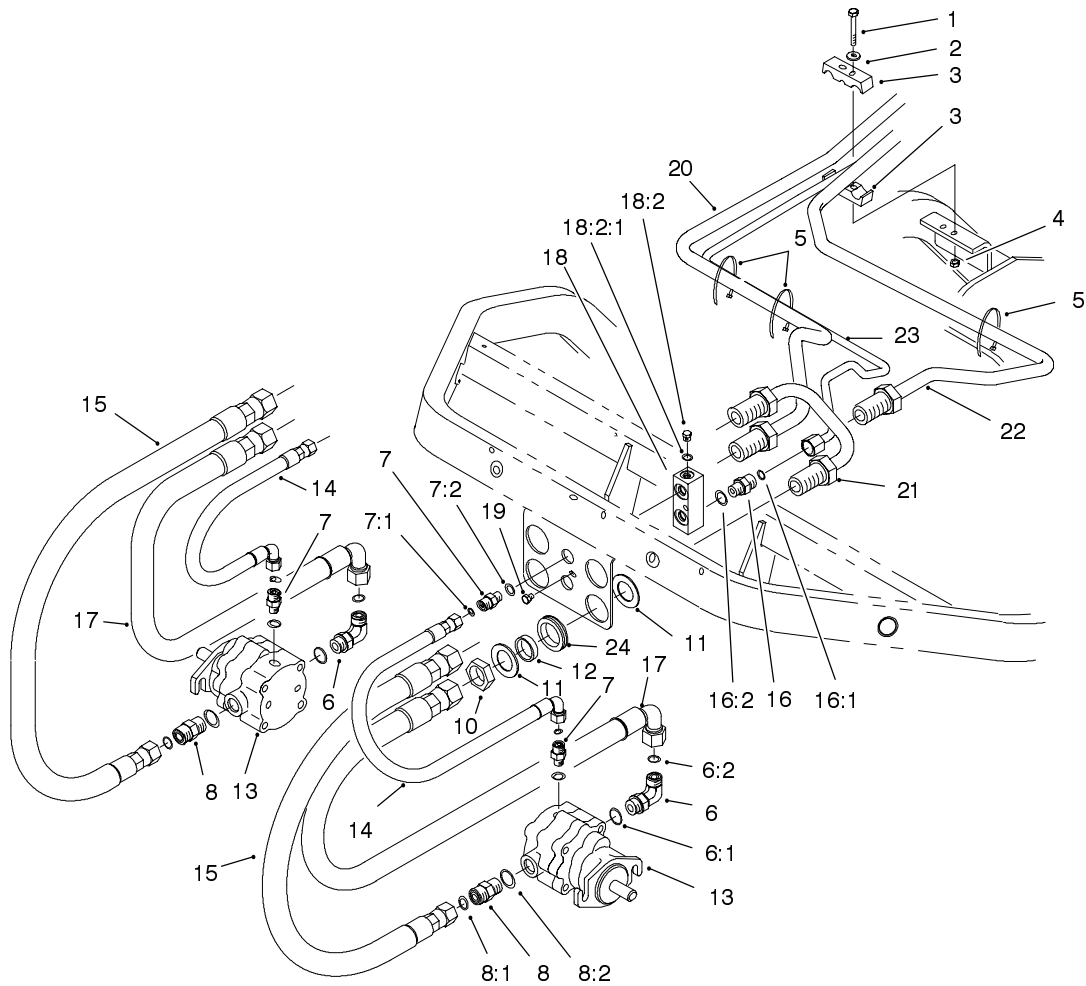


Sheet No.:16

Manifold Block Installation Assembly

Ref. No.	Part No.	Qty.	Description
1	93-2240	1	Manifold-Mow/Lift, Basic
2	340-7	2	Adapter
2:1	237-65	1	O-Ring
2:2	237-80	1	O-Ring
3	99-4214	1	Fitting-Hydraulic
3:1	237-79	1	O-Ring
3:2	237-30	1	O-Ring
5	340-17	1	Adapter
5:1	237-65	1	O-Ring
5:2	237-80	1	O-Ring
6	340-77	1	Fitting-90 DEG
6:1	237-22	1	O-Ring
6:2	237-42	1	O-Ring
7	340-132	1	Fitting-Hyd, 90 DEG
7:1	237-78	1	O-Ring
7:2	237-21	1	O-Ring
8	340-9	1	Fitting-Straight
8:1	237-58	1	O-Ring
8:2	237-81	1	O-Ring
9	340-92	1	Fitting
9:1	237-78	1	O-Ring
9:2	237-21	1	O-Ring
10	340-103	1	Fitting
10:1	237-78	1	O-Ring
10:2	237-21	1	O-Ring

Ref. No.	Part No.	Qty.	Description
11	340-140	1	Adapter Tee
11:1	237-21	2	O-Ring
11:2	237-78	1	O-Ring
12	33114-016	2	Screw-HH
13	93-2271	1	Hydraulic Hose ASM
14	93-2272	1	Hydraulic Hose ASM
16	95-1639	2	Fitting - Orificed
16:1	237-78	1	O-Ring
16:2	237-21	1	O-Ring

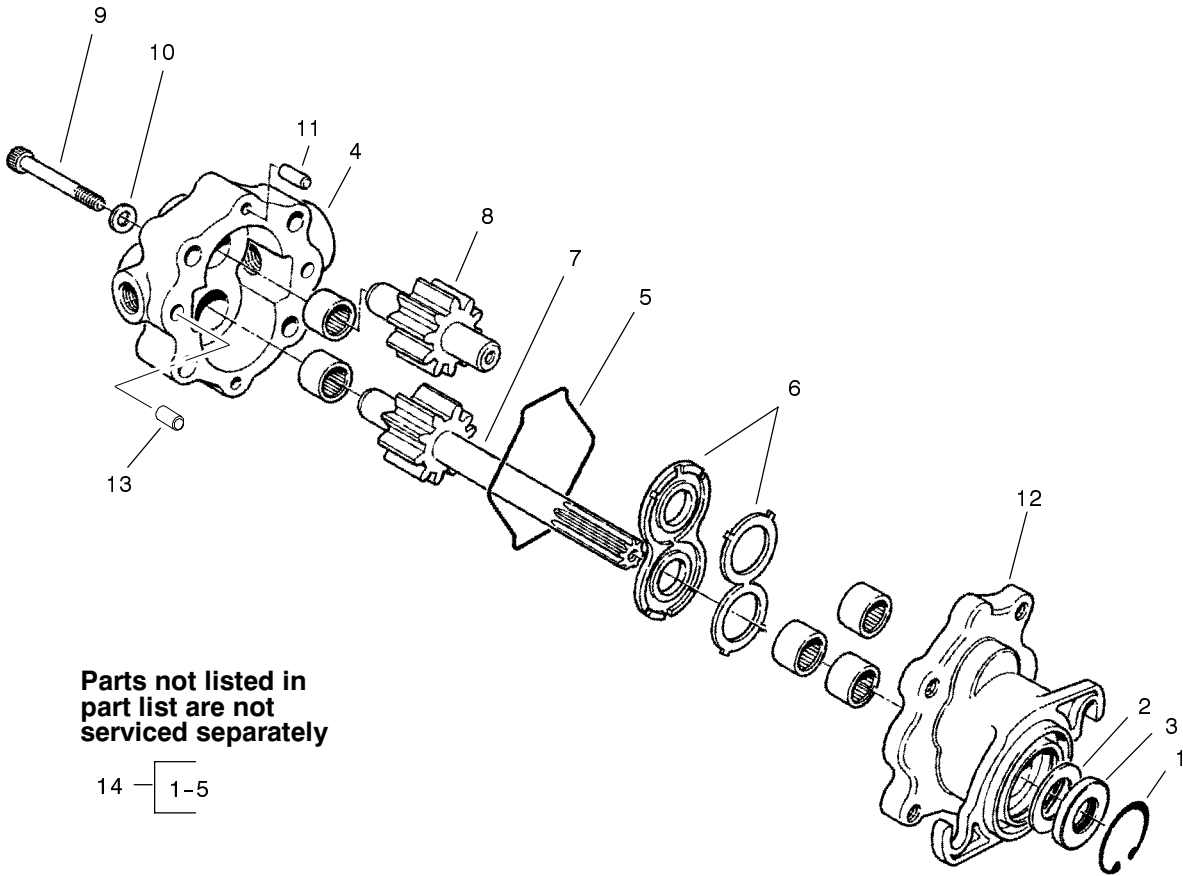


Sheet No.:17

Front Bulkhead and Reel Motor Assembly

Ref. No.	Part No.	Qty.	Description
1	33113-050	2	Screw-HH
2	3256-1	2	Washer-Flat
3	93-2509	2	Clamp - Tube
4	33023-00	2	Nut-Lock
5	3290-378	3	Tie-Cable
6	340-98	2	Fitting-90 DEG
6:1	237-79	1	O-Ring
6:2	237-30	1	O-Ring
7	340-92	4	Fitting
7:1	237-78	2	O-Ring
7:2	237-21	2	O-Ring
8	340-4	2	Adapter
8:1	237-30	1	O-Ring
8:2	237-79	1	O-Ring
10	340-74	2	Locknut-Bulkhead
11	69-9010	4	Washer
12	69-9000	2	Spacer
13	93-1375	2	Motor-Reel
14	93-2264	2	Hydraulic Hose ASM
15	95-2908	2	Hose ASM
16	340-2	1	Adapter
16:1	237-22	1	O-Ring
16:2	237-42	1	O-Ring
17	95-2909	2	Hose ASM
18	93-2238	1	T-Block
18:2	353-991	1	Plug-Hex, Hollow

Ref. No.	Part No.	Qty.	Description
18:2:1	237-156	1	O-Ring
19	33113-008	1	Screw-HH
20	94-1318	1	Tube - Hydraulic
21	94-1319	1	Tube - Hydraulic
22	94-1320	1	Tube - Hydraulic
23	94-1321	1	Tube - Hydraulic
24	240-3	2	Grommet-Rubber

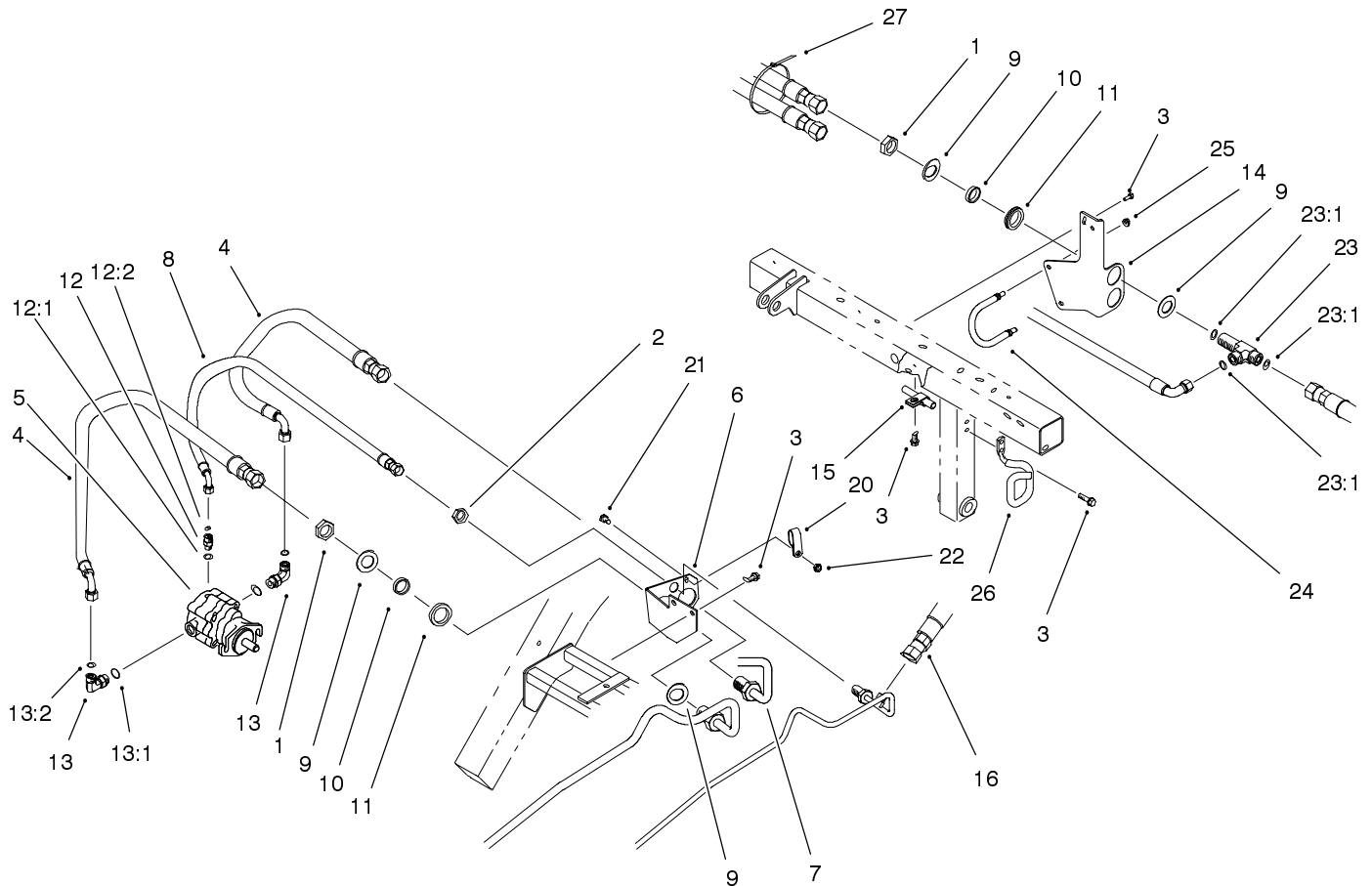


Sheet No.:B2
T-1872

Reel Motor Assembly No. 93-1375

Ref. No.	Part No.	Qty.	Description
1	32151-41	1	Ring-Snap
4	93-3614	1	Cover ASM
5	354-46	1	Ring-Seal
6	74-3810	1	Load Plate ASM
7	93-3615	1	Drive Shaft & Gear ASM
8	93-3616	1	Idler Shaft & Gear ASM
9	354-50	4	Screw-HSH
10	354-51	4	Washer
11	353-599	2	Pin-Dowel
12	92-8795	1	Body ASM
13	92-8796	2	Pin - Dowel
14	92-8863	1	Kit-Repair

Ref. No.	Part No.	Qty.	Description

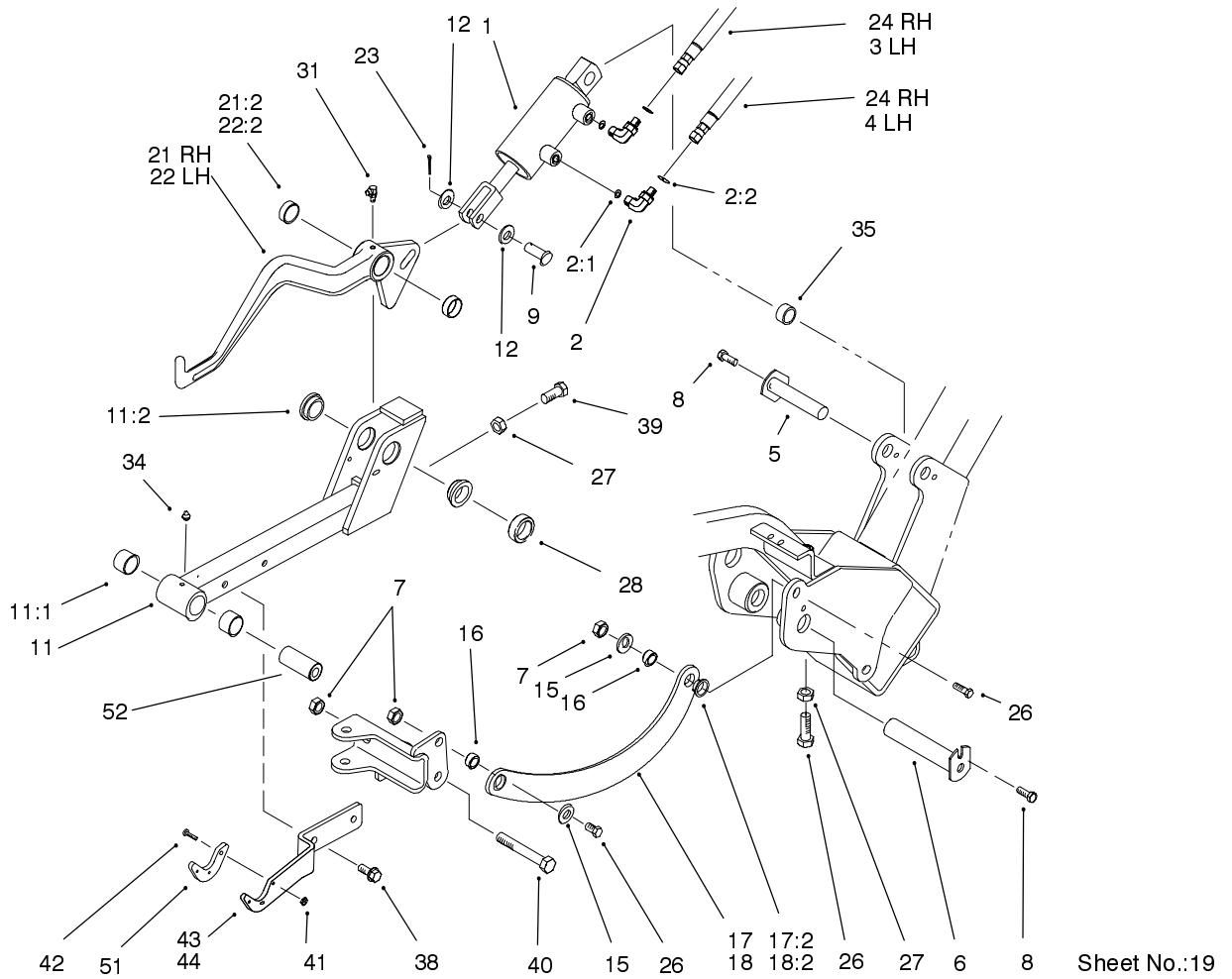


Sheet No.:18

Rear Bulkhead and Reel Motor Assembly

Ref. No.	Part No.	Qty.	Description
1	340-74	4	Locknut-Bulkhead
2	340-70	1	Locknut-Bulkhead
3	32144-14	7	Screw-HWH
4	95-2907	2	Hose ASM
5	93-1375	1	Motor-Reel
6	94-1316	1	Bracket - Bulkhead
7	94-1317	1	Tube - Hydraulic
8	94-1328	1	Hose ASM
9	69-9010	8	Washer
10	69-9000	4	Spacer
11	240-3	4	Grommet-Rubber
12	340-92	1	Fitting
12:1	237-78	1	O-Ring
12:2	237-21	1	O-Ring
13	340-98	2	Fitting-90 DEG
13:1	237-79	1	O-Ring
13:2	237-30	1	O-Ring
14	99-4222-03	1	Bracket-Hose
15	2412-4	1	Clamp
16	94-4539	1	Hose ASM
20	2412-137	1	Clamp-Tube
21	33114-020	1	Screw-HH
22	33024-00	1	Nut-Lock
23	94-5350	2	Tee-Bulkhead, Ors
23:1	237-65	3	O-Ring
24	99-4221	1	Retainer-Hose

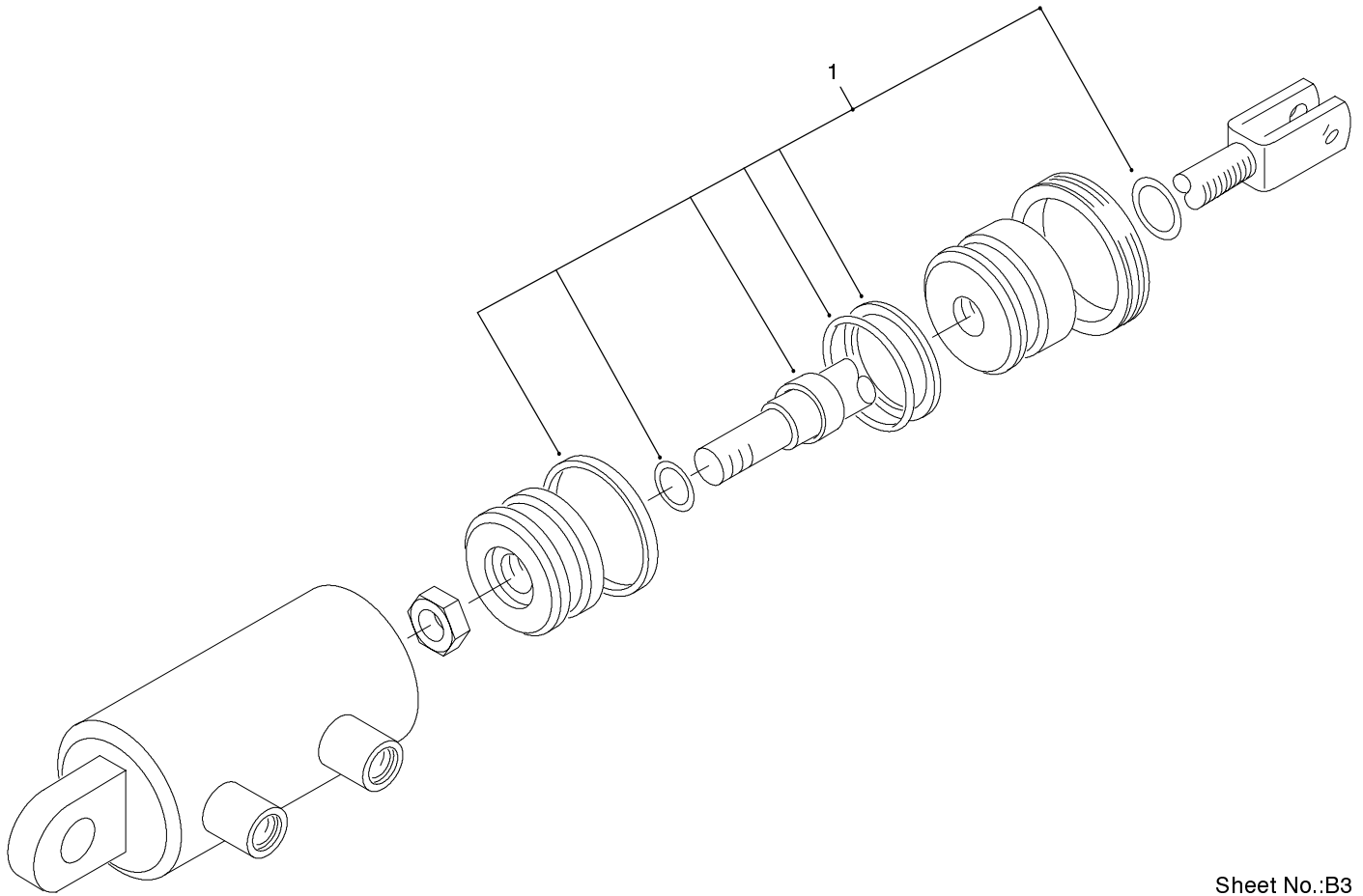
Ref. No.	Part No.	Qty.	Description
25	3296-29	2	Nut-Lock
26	94-5352	1	Retainer - Hose
27	3290-378	1	Tie-Cable



LH and RH Lift Arm Assembly

Ref. No.	Part No.	Qty.	Description
1	99-4263	2	Hydraulic Cylinder ASM
2	340-132	4	Fitting-Hyd, 90 DEG
2:1	237-78	1	O-Ring
2:2	237-21	1	O-Ring
3	93-2255	1	Hydraulic Hose ASM
4	93-2256	1	Hydraulic Hose ASM
5	10-6060	2	Pin-Pivot, Ram
6	94-8198	2	Pin
7	3296-25	6	Nut-Lock NI
8	32144-14	4	Screw-HWH
9	283-68	2	Pin-Clevis
11	99-4115	2	Front Lift Frame ASM
11:1	98-4166	2	Bushing
11:2	94-9610	2	Bushing - Flange
12	33096-00	4	Washer-Flat
15	3256-26	4	Washer-Flat
16	99-4201	4	Tube-Spacer
17	99-4258	1	RH Link Bracket ASM
17:2	99-4243	2	Bushing-Flange
18	99-4260	1	LH Link Bracket ASM
18:2	99-4243	2	Bushing-Flange
21	99-4213	1	RH Lift Arm ASM
21:2	92-8995	2	Bushing
22	99-4212	1	LH Lift Arm ASM
22:2	92-8995	2	Bushing

Ref. No.	Part No.	Qty.	Description
23	3272-11	2	Pin-Cotter
24	93-2254	2	Hydraulic Hose ASM
26	325-6	5	Screw-HH
27	3218-5	3	Nut-Jam
28	93-2384	2	Spacer-Carrier
31	302-60	2	Fitting-Lube
34	302-5	2	Fitting-Grease
35	74-3730	2	Spacer-Spindle, Rear
38	32144-69	4	Screw-HH
39	325-4	2	Screw-HH
40	325-14	2	Screw-HH
41	3296-54	6	Nut-Lock NI
42	3250-17	6	Screw-PPH
43	99-4111-01	1	Plate-Transport, #1 & #3
44	99-4112-01	1	Plate-Transport, #2
51	99-4225	2	Pad-Wear
52	99-4072	2	Spacer-Frame, Pull

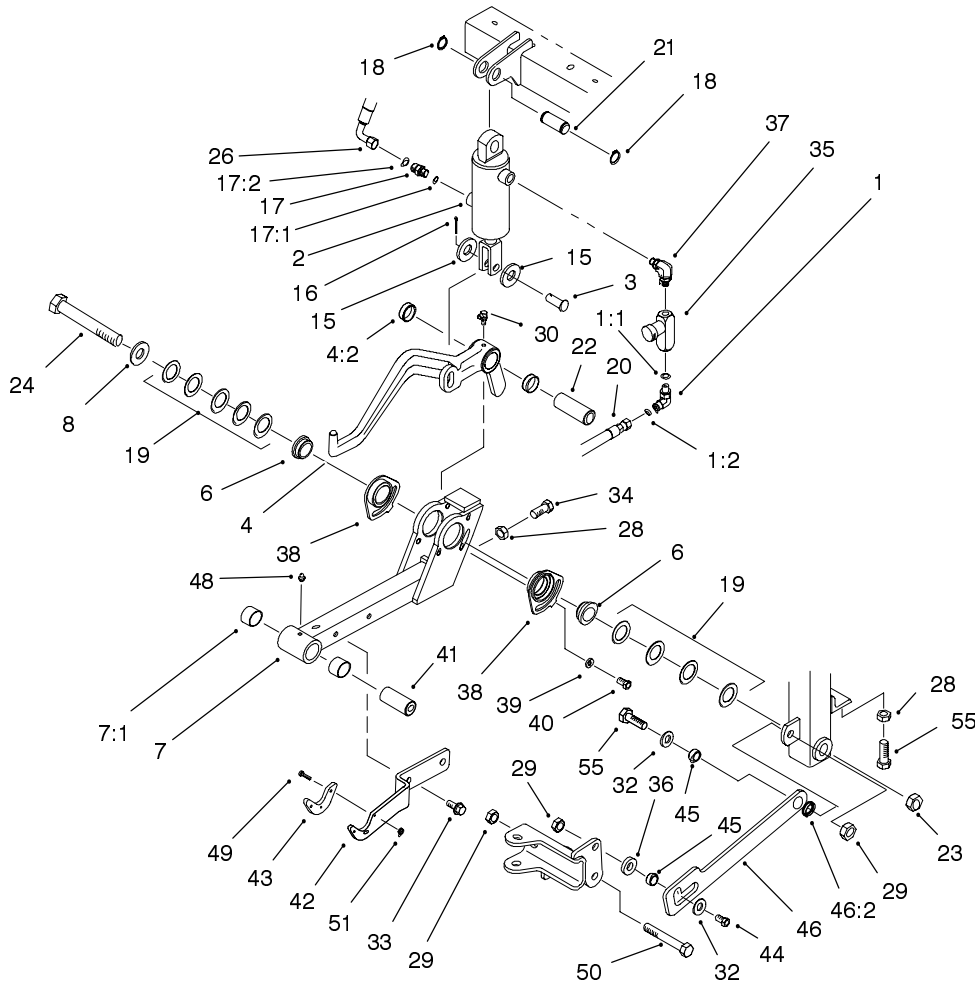


Sheet No.:B3
T-3724

Hydraulic Cylinder Assembly No. 99-4263

Ref. No.	Part No.	Qty.	Description
1	99-8163	1	Kit-Repair, Seal

Ref. No.	Part No.	Qty.	Description

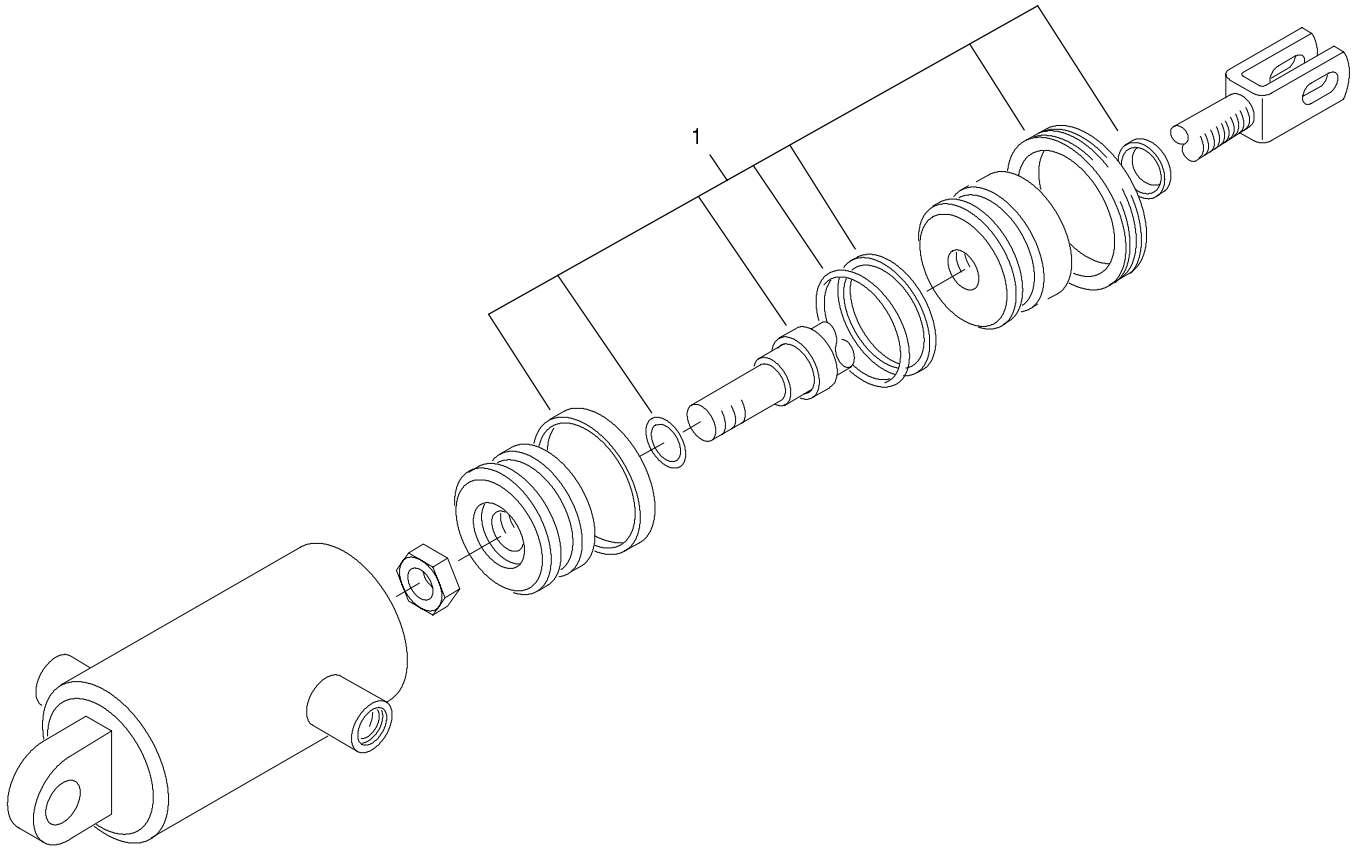


Sheet No.:20

Center Lift Arm Assembly

Ref. No.	Part No.	Qty.	Description
1	340-132	1	Fitting-Hyd, 90 DEG
1:1	237-78	1	O-Ring
1:2	237-21	1	O-Ring
2	99-4262	1	Hydraulic Cylinder ASM
3	283-68	1	Pin-Clevis
4	99-4126	1	Center Lift Arm ASM
4:2	92-8995	2	Bushing
6	98-2197	2	Bushing - Flange
7	99-4116	1	Rear Lift Frame ASM
7:1	98-4166	2	Bushing
8	69-8940	1	Washer
15	33096-00	2	Washer-Flat
16	3272-11	1	Pin-Cotter
17	95-1639	1	Fitting - Orificed
17:1	237-78	1	O-Ring
17:2	237-21	1	O-Ring
18	32120-72	2	Ring-Snap
19	63-2290	9	Washer-Thrust
20	93-2258	1	Hydraulic Hose ASM
21	94-3452	1	Pin
22	94-8199	1	Tube-Pivot
23	3296-53	1	Nut-Lock NI
24	327-19	1	Screw-HH
26	94-3477	1	Hydraulic Hose ASM
28	3218-5	2	Nut-Jam

Ref. No.	Part No.	Qty.	Description
29	3296-25	3	Nut-Lock NI
30	302-60	1	Fitting-Lube
32	3256-26	2	Washer-Flat
33	32144-69	2	Screw-HH
34	325-5	1	Screw-HH
35	93-7489	1	Orifice Valve ASM
36	99-4248	1	Spacer
37	95-2927	1	Fitting - Elbow
38	98-4618	2	Bushing-Eccentric
39	3256-74	2	Washer-Flat
40	33114-016	2	Screw-HH
41	99-4072	1	Spacer-Frame, Pull
42	99-4111-01	1	Plate-Transport, #1 & #3
43	99-4225	1	Pad-Wear
44	325-7	1	Screw-HH
45	99-4201	2	Tube-Spacer
46	99-4246	1	Link Bracket ASM
46:2	99-4243	1	Bushing-Flange
48	302-5	1	Fitting-Grease
49	3250-17	3	Screw-PPH
50	325-14	1	Screw-HH
51	3296-54	3	Nut-Lock NI
55	325-6	2	Screw-HH

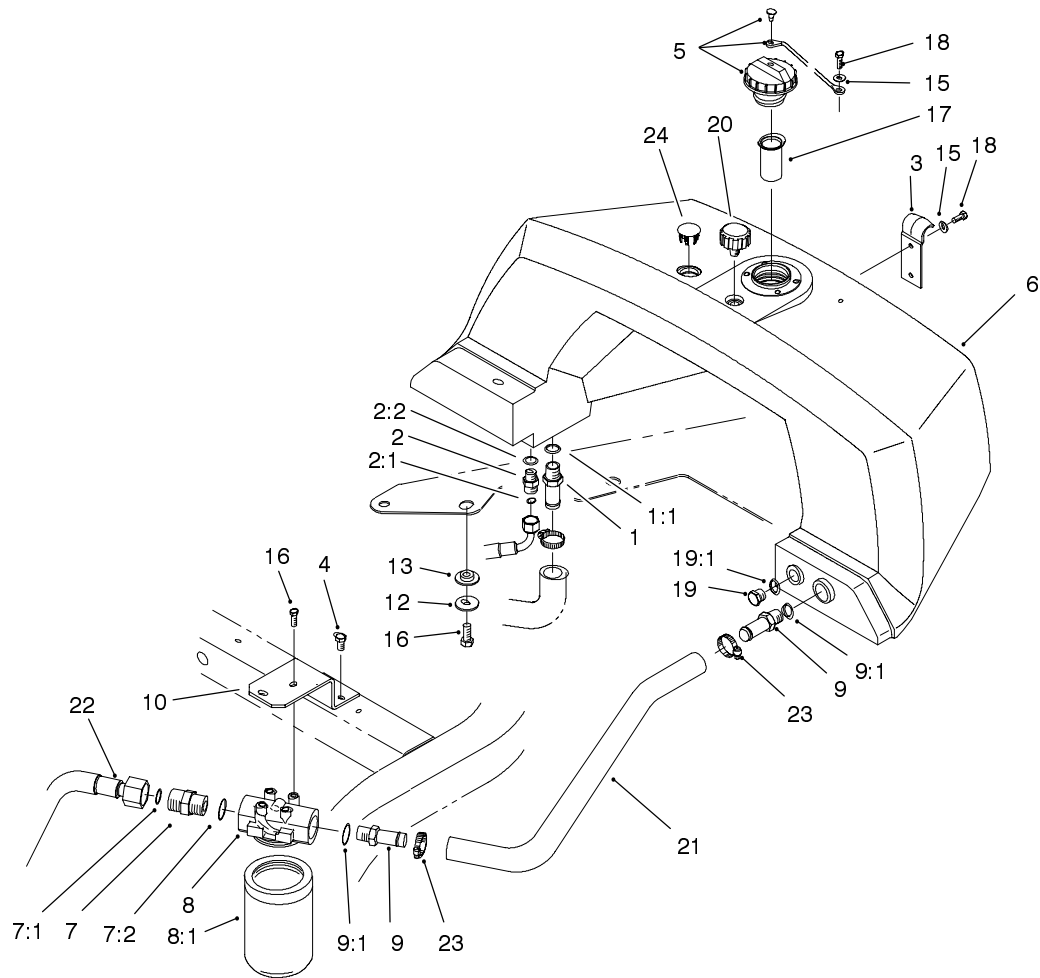


Sheet No.:B4
T-3727

Hydraulic Cylinder Assembly No. 99-4262

Ref. No.	Part No.	Qty.	Description
1	99-8163	1	Kit-Repair, Seal

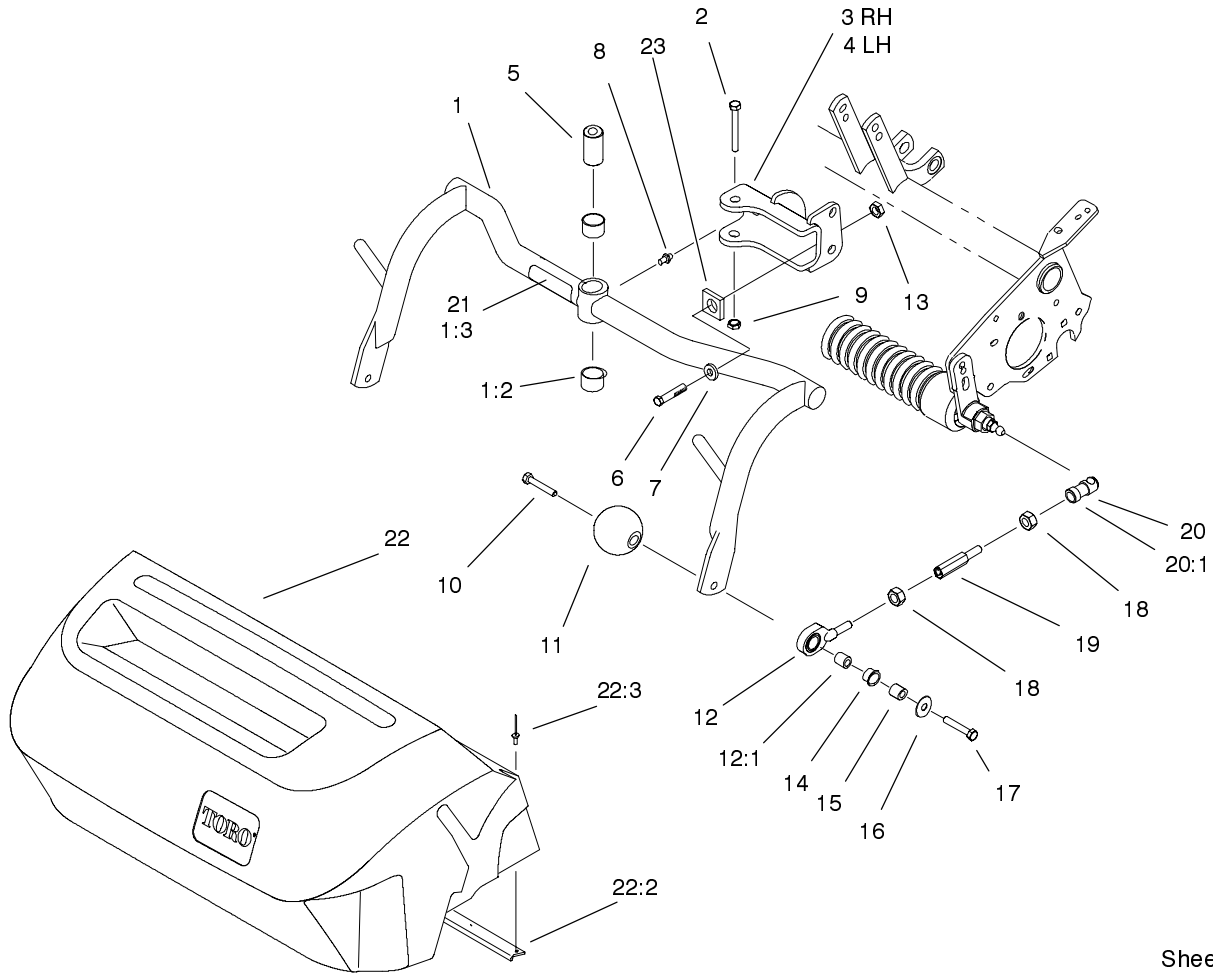
Ref. No.	Part No.	Qty.	Description



Sheet No.:22

Hydraulic Tank and Filter Assembly

Ref. No.	Part No.	Qty.	Description	Ref. No.	Part No.	Qty.	Description
1	354-78	1	Connector-Hose	20	68-6150	1	Breather-Air
1:1	237-146	1	O-Ring	21	94-9607	1	Hose - Return
2	340-2	1	Adapter	22	94-4518	1	Tube ASM
2:1	237-22	1	O-Ring	23	2412-129	2	Clamp-Hose
2:2	237-42	1	O-Ring	24	93-2437	1	Plug - Serrated
3	93-2438	1	Clamp-Tank, Fuel				
4	32144-14	2	Screw-HWH				
5	93-7160	1	Cap-Oil, Hyd				
6	93-2235	1	Tank-Hydraulic				
7	340-9	1	Fitting-Straight				
7:1	237-58	1	O-Ring				
7:2	237-81	1	O-Ring				
8	93-2242	1	Oil Filter ASM				
8:1	75-1310	1	Filter Element				
9		2	Fitting				
9:1	237-81	2	O-Ring				
10	93-2236-03	1	Mount-Filter, Oil				
12	93-4637	4	Washer - Flat				
13	240-11	4	Grommet-Mount, Tank				
15	3256-1	3	Washer-Flat				
16	33115-020	4	Screw-HH				
17	93-2275	1	Screen - Filler				
18	33113-016	3	Screw-HH				
19	353-988	1	Plug-Hex, Hollow				
19:1	237-79	1	O-Ring				



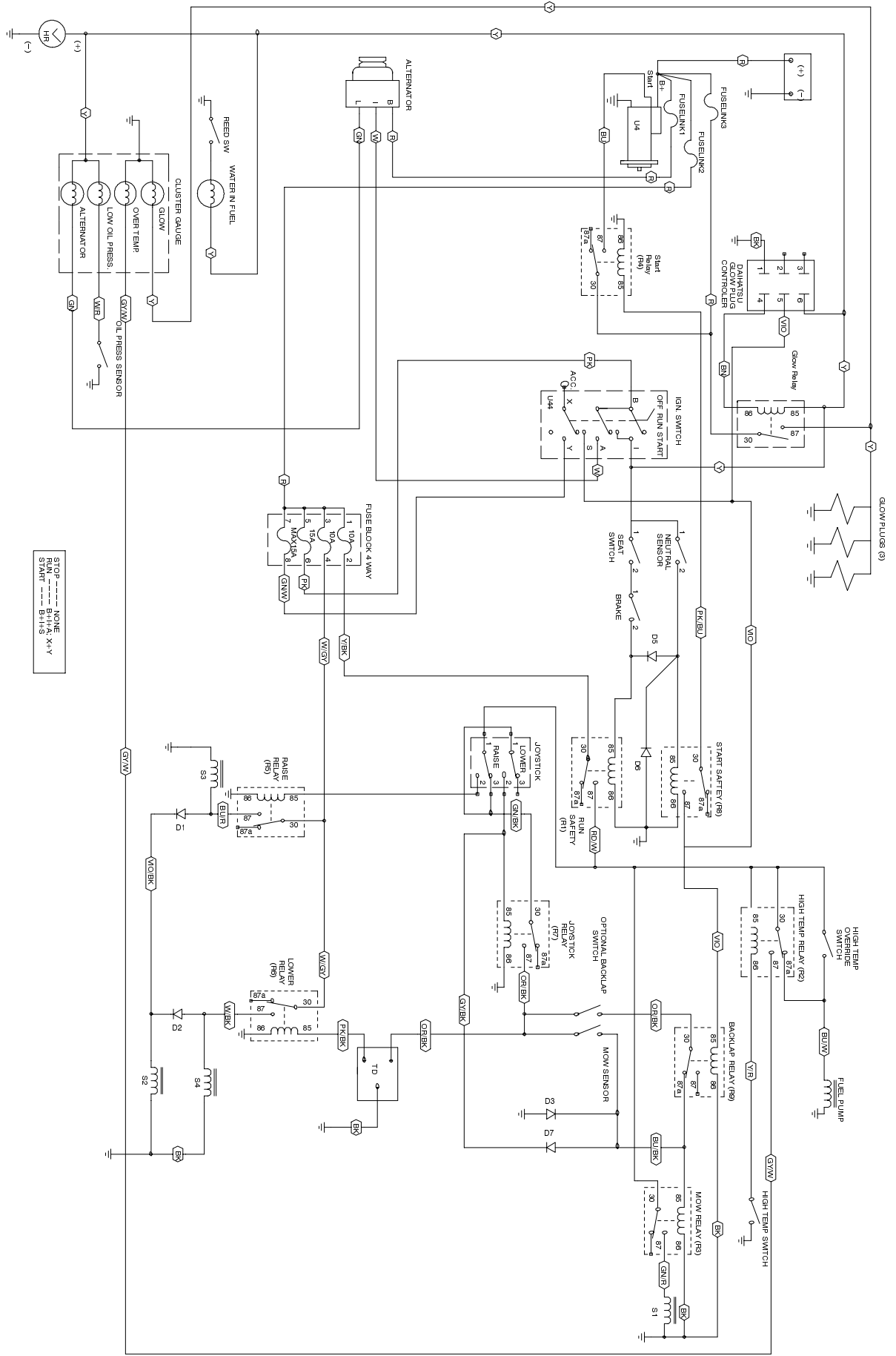
Sheet No.:30

Center Pull Frame Assembly

Ref. No.	Part No.	Qty.	Description
1	99-4114	3	Pull Frame ASM
1:2	98-4166	2	Bushing
1:3	104-7728	1	Decal-Danger
2	325-13	3	Screw-HH
3	99-4183-01	2	RH Clevis ASM
4	99-4182-01	1	LH Clevis ASM
5	99-4109	3	Spacer-Pivot
6	78-8710	3	Screw
7	3256-77	3	Washer-Flat
8	302-5	3	Fitting-Grease
9	3296-25	3	Nut-Lock NI
10	99-4209	6	Shaft-Roller
11	99-4210	6	Roller-Anti Scalp
12	100-6440	6	Pull Link And Bushing ASM
12:1	95-0532	1	Rubber Bushing ASM
13	3296-12	3	Nut-Lock
14	256-292	6	Bushing-Flange, NI
15	75-5270	6	Spacer-Knob, Seat
16	80-6990	6	Washer-Hardened
17	323-8	6	Screw-HH
18	3220-3	12	Nut-Jam
19	88-6870	6	Extension-Arm, Pull
20	99-1460	6	Ball Joint Receiver ASM
20:1	99-1461	1	Sleeve-Joint, Ball

Ref. No.	Part No.	Qty.	Description
21	104-7729	3	Decal-Danger, (Europe)
22	104-2071	3	Basket ASM
22:2	104-2607	1	Strip-Basket
22:3	3290-382	8	Rivet-Pop
23	94-1392	3	Pad - Rubber

Electrical Schematic

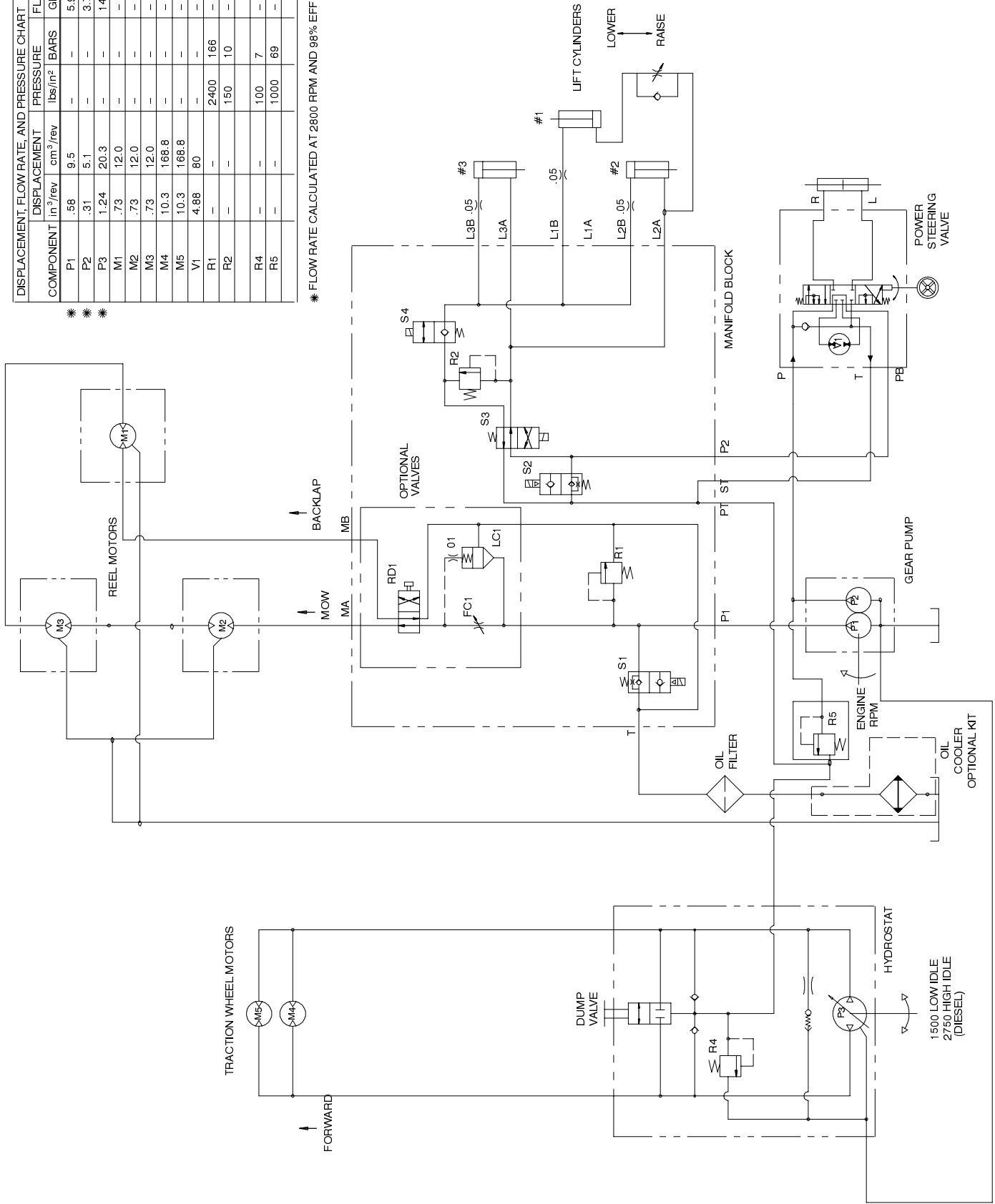


Hydraulic Schematic

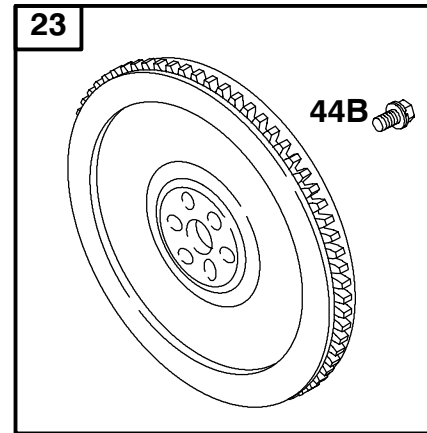
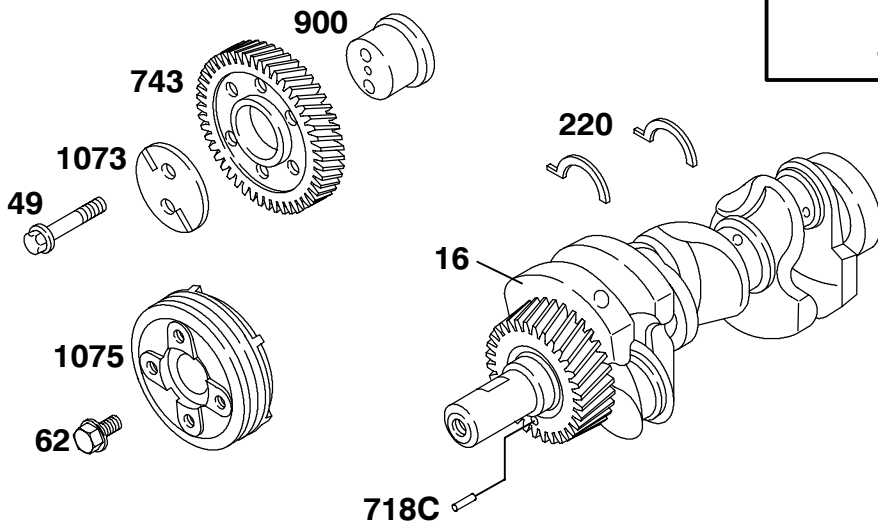
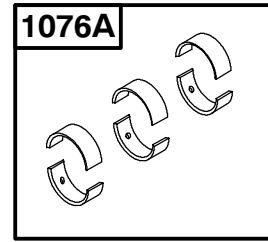
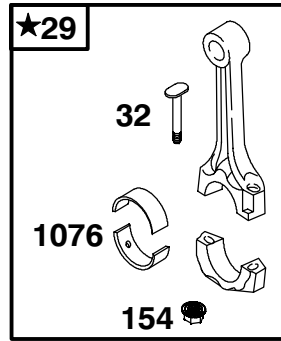
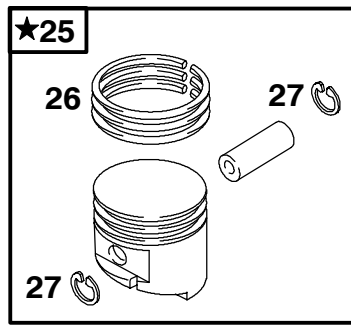
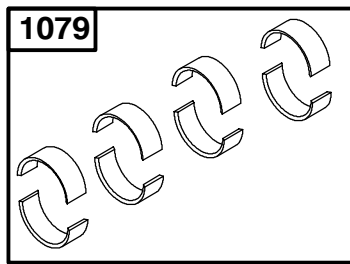
DISPLACEMENT, FLOW RATE, AND PRESSURE CHART						
COMPONENT	DISPLACEMENT		PRESSURE		FLOW RATE	
	in ³ /rev	cm ³ /rev	lbs/in ²	BARS	GPM	LPM
P1	.58	9.5	-	-	5.9	22.4
P2	.31	5.1	-	-	3.7	13.9
P3	1.24	20.3	-	-	14.8	55.8
M1	.73	12.0	-	-	-	-
M2	.73	12.0	-	-	-	-
M3	.73	12.0	-	-	-	-
M4	10.3	168.8	-	-	-	-
M5	10.3	168.8	-	-	-	-
V1	4.88	80	-	-	-	-
R1	-	-	2400	166	-	-
R2	-	-	150	10	-	-
R4	-	-	100	7	-	-
R5	-	-	1000	69	-	-

* * *

* FLOW RATE CALCULATED AT 2800 RPM AND 98% EFFICIENCY



★ REQUIRES SPECIAL TOOLS TO INSTALL. SEE REPAIR INSTRUCTION MANUAL.



522447-0107-E2 TORO DIESEL

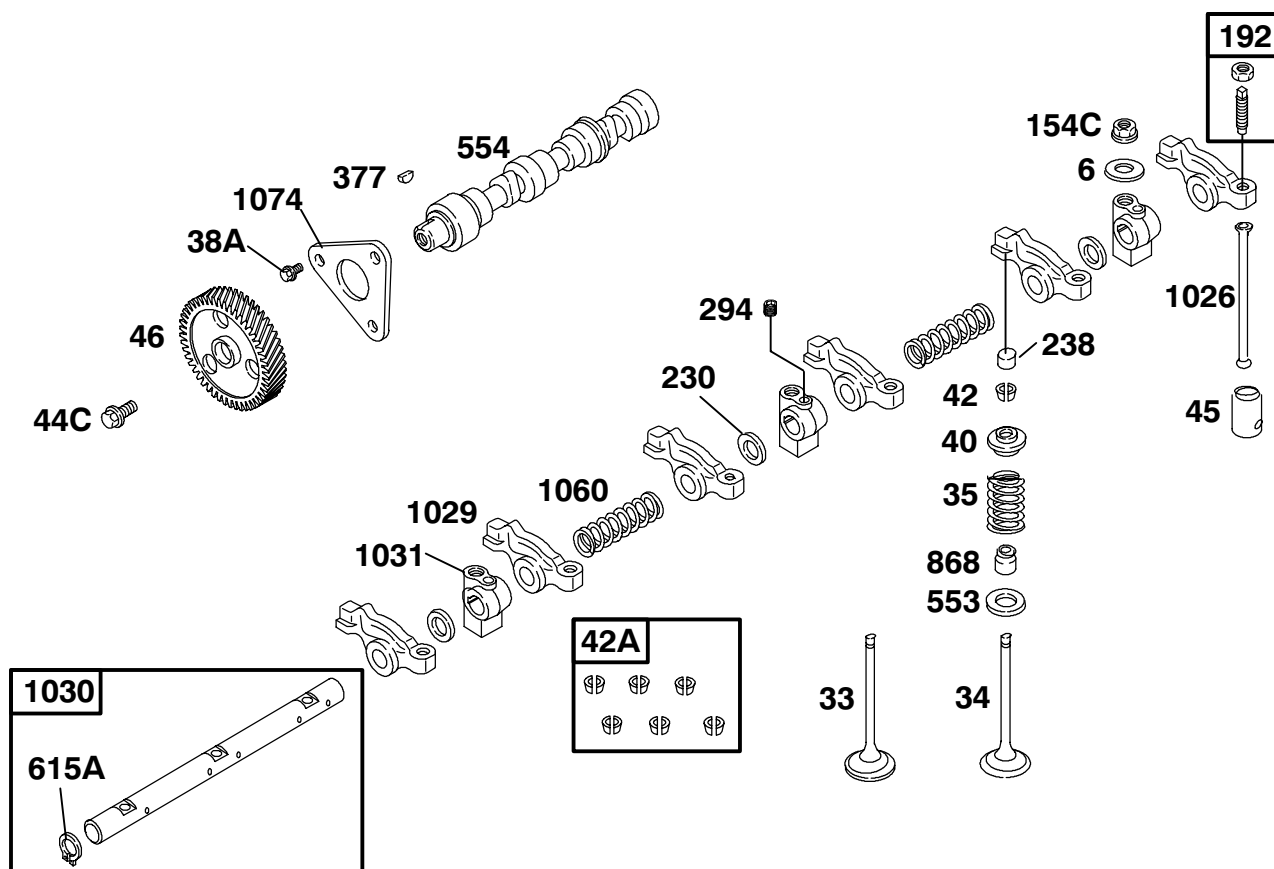
Ref. No.	Part No.	Qty.	Description
1073	99-9040	1	Plate-Idler Gear
1075	99-9692	1	Pully-Crankshaft
∇1076	99-9042	1	Bearing-Rod
∇1076A	99-9043	3	Bearing Set-Rod
∇1076A	99-9044	3	Bearing Set-Rod, .010 Undersize
∇1079	99-9045	1	Bearing Set-Main
∇1079	99-9046	1	Bearing Set-Main, .010 Under
154	99-9034	6	Nut-Hex
∇16	99-9252	1	Crankshaft
∇220	99-9035	1	Washer-Thrust
∇220	99-9036	1	Washer-Thrust .005" Oversize
∇23	99-9267	1	Flywheel
∇25	99-9605	3	Piston Assembly
∇25	99-9268	3	Piston ASM
∇26	99-9606	3	Ring Set
∇26	99-9269	3	Ring Set
27	99-9607	6	Lock-Piston Pin
∇29	99-9608	3	Rod-Connecting
∇32	99-9030	6	Screw-Connecting Rod
44B	99-9031	6	Screw-10mm Hex
49	99-9032	2	Screw-8mm Hex
62	99-9033	1	Screw-Hex

Ref. No.	Part No.	Qty.	Description
718C	99-9037	1	Pin-Locating
∇743	99-9609	1	Gear-Drive
∇900	99-9039	1	Shaft-Gear

∇ Refer To Repair Manual MS 1055 For Assembly and/or Torque Requirements.

★ Included in Gasket Set - Part Number 99-9667

△ Included in Valve Overhaul Kit - Part Number 99-9668



522447-0107-E2 TORO DIESEL

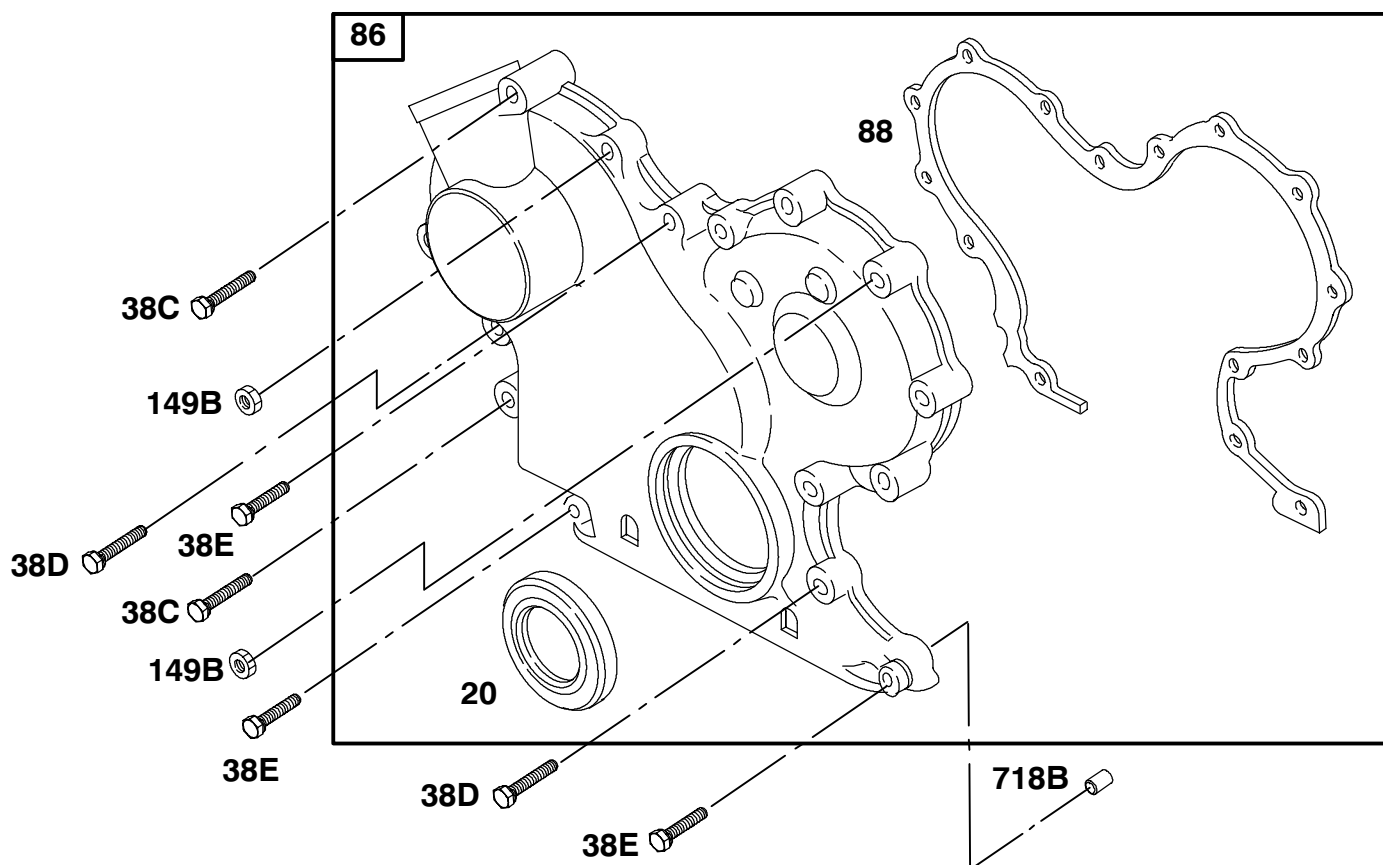
Ref. No.	Part No.	Qty.	Description	Ref. No.	Part No.	Qty.	Description
06	99-9079	3	Washer-Flat	615A	99-9099	2	Retainer
1026	99-9103	6	Rod-Push	★Δ868	99-9643	6	Seal-Valve
▽1029	99-9104	1	Arm-Rocker				
▽1030	99-9106	1	Shaft-Rocker Arm				
▽1031	99-9107	3	Support-Rocker Arm				
▽1060	99-9108	2	Spring-Rocker Shaft				
1074	99-9109	1	Retainer-Camshaft				
154C	99-9091	3	Nut-Metric Hex				
192	99-9092	6	Adjuster-Rocker Arm				
▽230	99-9093	3	Washer-Spacer				
238	99-9094	6	Cap-Valve				
294	99-9090	1	Screw-Metric				
33	99-9638	3	Valve-Exhaust				
34	99-9639	3	Valve-Intake				
35	99-9640	6	Spring-Valve				
377	99-9642	1	Key-Timing				
38A	99-9083	3	Screw-6mm Hex				
40	99-9084	6	Retainer-Valve				
42	99-9086	1	Keeper-Valve				
42A	99-9087	6	Keeper-Valve (Set Of 6)				
44C	99-9085	1	Screw-Metric				
45	99-9088	6	Tappet-Valve				
▽46	99-9641	1	Gear-Cam				
553	99-9096	6	Seat-Valve Spring				
554	99-9097	1	Shaft-Cam				

▽ Refer To Repair Manual MS 1055 For Assembly and/or Torque Requirements.

★ Included in Gasket Set - Part Number 99-9667

Δ Included in Valve Overhaul Kit - Part Number 99-9668

Assemblies include all parts shown in frames.



522447-0107-E2 TORO DIESEL

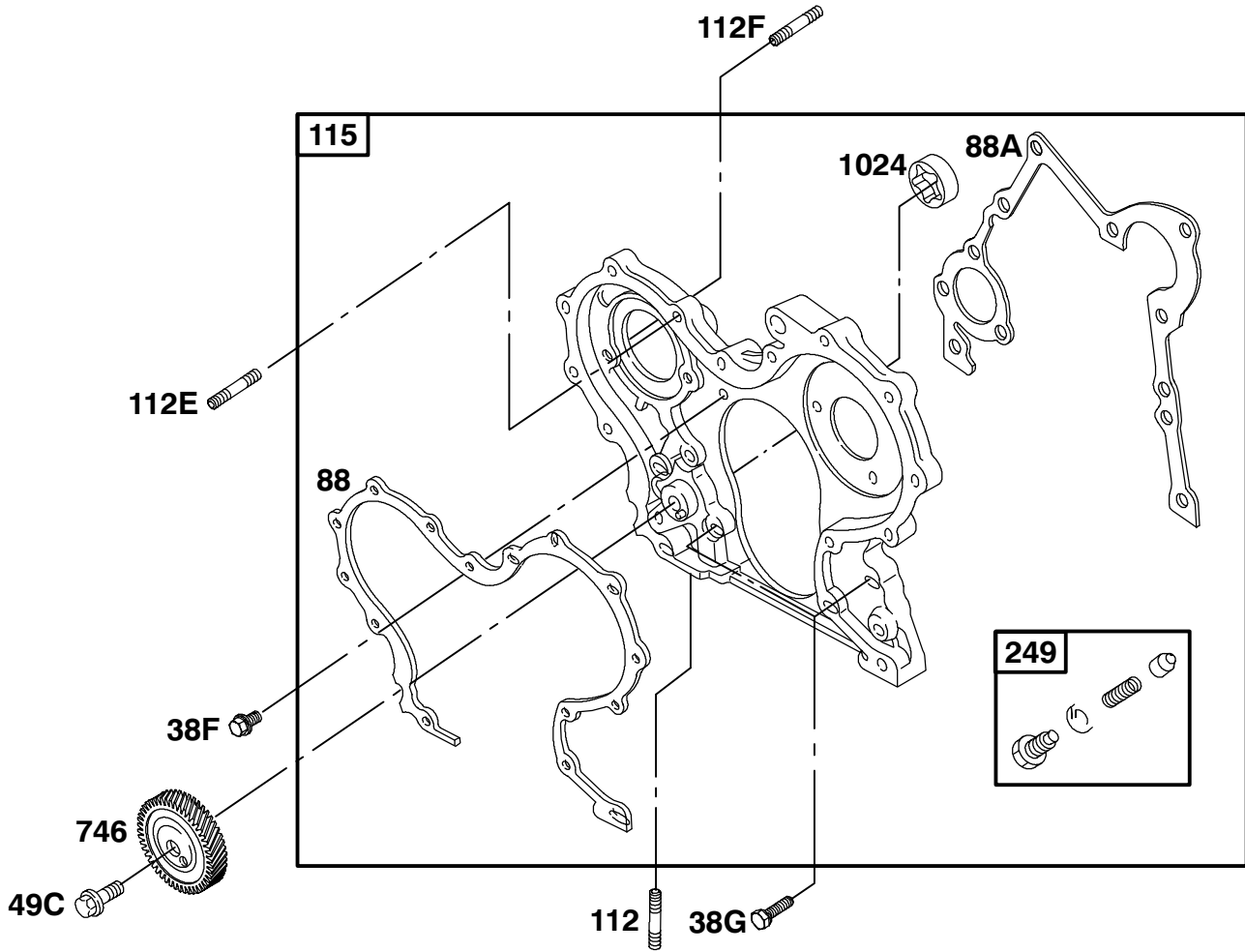
Ref. No.	Part No.	Qty.	Description	Ref. No.	Part No.	Qty.	Description
149B	99-9114	2	Nut-Metric Hex				
★20	99-9126	1	Seal-Oil				
38C	99-9651	2	Screw-6mm Hex				
38D	99-9128	9	Screw-6mm Hex				
38E	99-9129	3	Screw-6mm Hex				
718B	99-9014	1	Pin-Locating				
▽86	99-9652	1	Cover-Assembly-Gear				
★88	99-9653	1	Gasket-Gear Cover				

▽ Refer To Repair Manual MS 1055 For Assembly and/or Torque Requirements.

★ Included in Gasket Set - Part Number 99-9667

△ Included in Valve Overhaul Kit - Part Number 99-9668

Assemblies include all parts shown in frames.



522447-0107-E2 TORO DIESEL

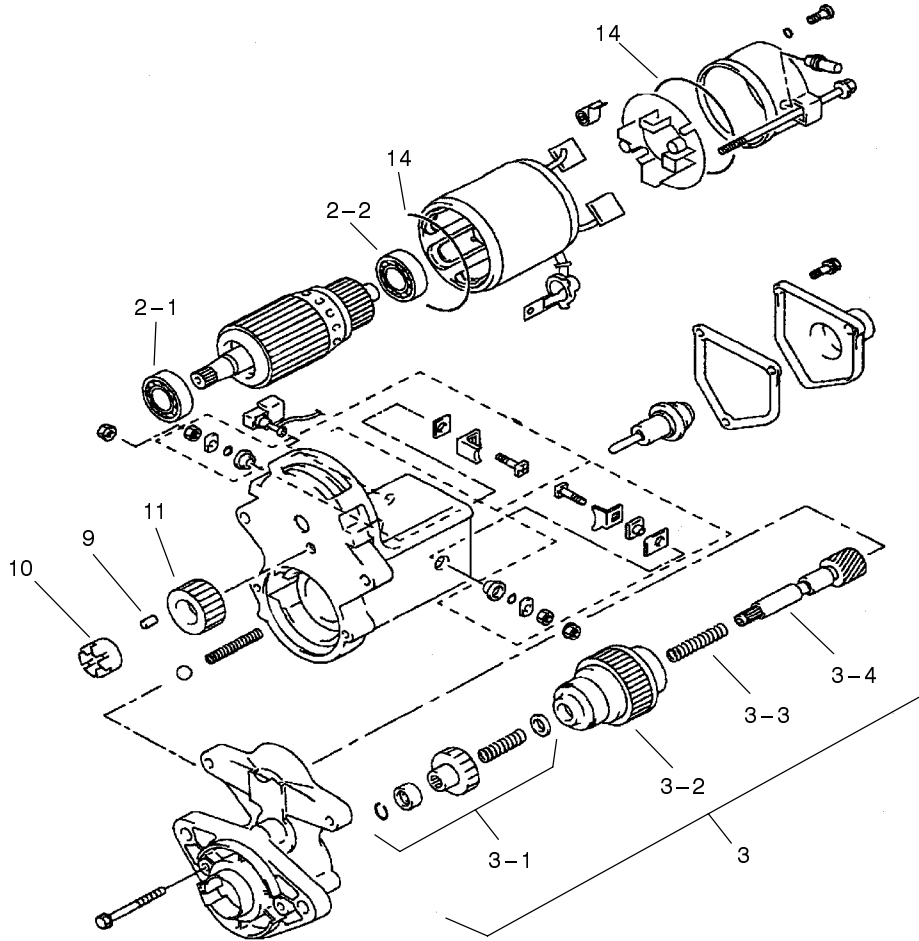
Ref. No.	Part No.	Qty.	Description
112	99-9007	1	Stud-Metric
112E	99-9137	2	Stud-Metric
112F	99-9654	2	Stud-Metric
∇115	99-9655	1	Housing-Gear
∇249	99-9142	1	Valve-Oil Relief
38F	99-9134	1	Screw-6mm Hex
38G	99-9133	4	Screw-6mm Hex
49C	99-9135	1	Screw-8mm Hex
∇746	99-9656	1	Gear-Drive
★88	99-9653	1	Gasket-Gear Cover
★88A	99-9136	1	Gasket-Gear Cover
1024			Gear-Drive Pump-Oil (Sold in Gear Housing Only, Ref. 115)

Ref. No.	Part No.	Qty.	Description

∇ Refer To Repair Manual MS 1055 For Assembly and/or Torque Requirements.

★ Included in Gasket Set - Part Number 99-9667

Δ Included in Valve Overhaul Kit - Part Number 99-9668



Sheet No.: 0
T-3541

Starter Assembly No. 99-9693

Ref. No.	Part No.	Qty.	Description
10	100-5322	1	Retainer
11	100-5323	1	Pinion, Starter
14	100-5329	2	O-Ring
2-1	100-5319	1	Bearing
2-2	100-5320	1	Bearing
3	100-5324	1	Clutch Sub-ASM, Starter
3-1	100-5325	1	Starter Kit
3-2	100-5326	1	Clutch-Starter
3-3	100-5327	1	Spring
3-4	100-5328	1	Shaft
9	100-5321	5	Roller-clutch

Ref. No.	Part No.	Qty.	Description

