



## 5 and 8 Blade 27" Cutting Unit

For Reelmaster® 2300D and 3100D

Model No. 03210—210000001 and Up

Model No. 03211—210000001 and Up

### Parts Catalog

---

#### Ordering Replacement Parts

To order replacement parts, please supply: the part number, the quantity, and the description of each part desired.

#### Understanding Reference Numbers

Each identified part in an illustration has a reference number. The reference number for a part also appears in the parts list, along with other information about the part.

This catalog uses two special reference number formats, one to indicate parts in a service assembly and another to indicate the quantity of a given part in an illustration.

#### Service Assembly Reference Numbers

Parts in service assemblies have reference numbers in the form **a:b**. The **a** represents the reference number of the entire service assembly and the **b** represents a sequential number unique to each part within the service assembly.

For example, a wheel assembly might be identified by reference number **6**, the tire by **6:1**, the valve by **6:2**, and the wheel by **6:3**. When you order the assembly identified by reference number **6**, you receive all parts identified by reference numbers **6:1**, **6:2**, and **6:3**. However, you may also order any part individually.

Reference numbers of this type appear in illustrations and in part lists.

#### Reference Numbers Indicating Quantity

In an illustration, if a reference number indicates more than one part, the reference number has the form **nX y**. The **n** represents the quantity of the part, the **X** is the multiplication symbol, and the **y** represents the reference number.

For example, in an illustration, the reference number **2X 37** means that two of the parts identified by reference number **37** are indicated.

## Contents

Description	Page	Description	Page
Reel Assembly .....	3	Gauge Bar, Angle Indicator and Handle Assemblies .....	6
Bedbar Assembly .....	4		
Roller Assembly .....	5		

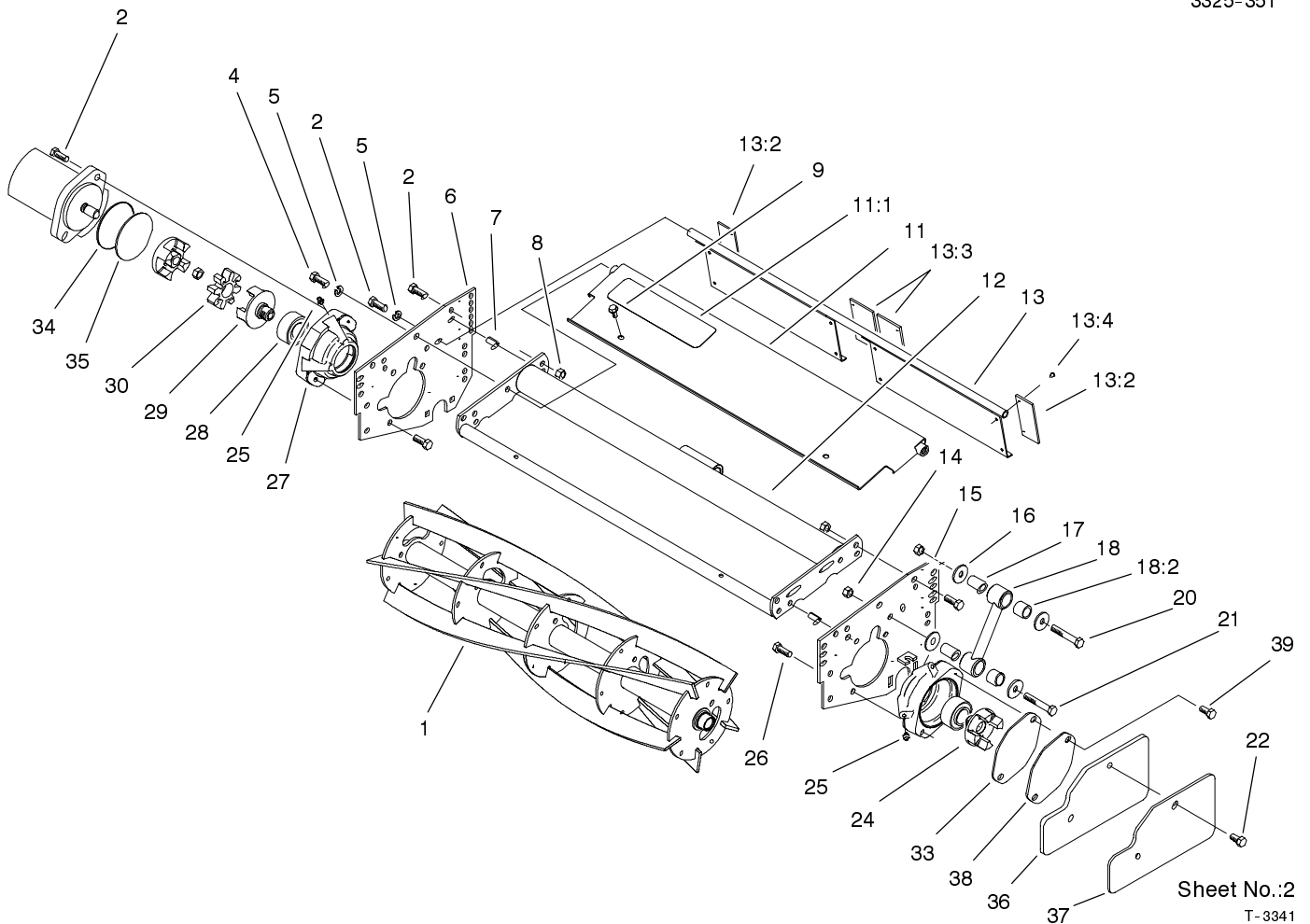
## Accessories

Description	Model / Part No.	Description	Model / Part No.
Lift Arm Kit (RM2300) .....	03471	Anti-Scalp Roller Kit .....	03447
Lift Arm Kit (RM3100) .....	03220	3" Dia. Wiehle Scraper Kit .....	104-1398
Basket Kit .....	03223	Wiehle Roller Scraper Kit .....	94-5082
High HOC Kit .....	104-1395	Full Roller Scraper Kit .....	60-9560
Wiehle Roller Kit .....	03450	Fixed Cutting Unit Kit .....	93-6915
Wiehle Roller Kit (3" Dia.) .....	03233	Comb Kit .....	67-9400
Full Roller Kit .....	03440	Skid Kit .....	94-3664
Sectional Roller Kit .....	03445		

## Part Description Abbreviations

Part descriptions in this catalog may include the following abbreviations.

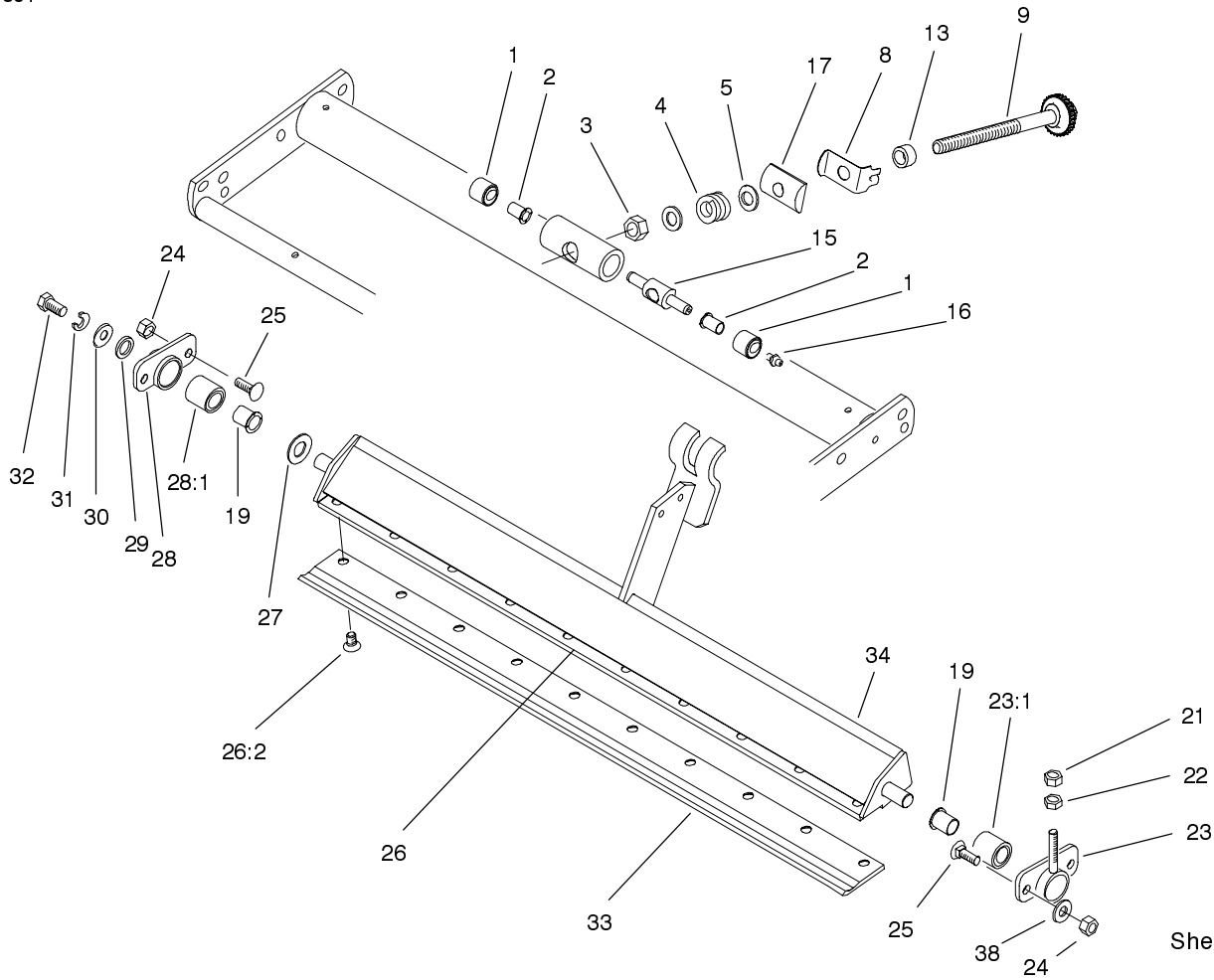
Abbreviation	Meaning	Abbreviation	Meaning
AR .....	as required	HYD .....	hydraulic
ASM .....	assembly	INC .....	incorporated
CARR .....	carriage	LH .....	left hand
DEG .....	degrees	NI .....	nylon insert
FH .....	flat head	PPH .....	Phillips pan head
GA .....	gauge	PTH .....	Phillips truss head
HF .....	hex flange	PTO .....	power take off
HH .....	hex head	RH .....	right hand
HHF .....	hex head flange	SFH .....	slotted fillister head
HLH .....	hex lag head	SHH .....	slotted hex head
HJ .....	hex jam	SQH .....	square head
HOC .....	height-of-cut	SHWH .....	slotted hex washer head
HS .....	hex socket	SPH .....	slotted pan head
HSBH .....	hex socket button head	SRH .....	slotted round head
HSFH .....	hex socket flat head	STD .....	standard
HSH .....	hex socket head	TAP .....	self tapping
HWH .....	hex washer head	TTH .....	Torx truss head
HWHTF .....	hex washer head thread forming	WH .....	wing head



## Reel Assembly

Ref. No.	Part No.	Qty.	Description	Ref. No.	Part No.	Qty.	Description
1	99-3482	1	Reel-5 Blade (only on: 03210)	17	93-6981	8	Spacer
*1	99-3483	1	Reel-8 Blade (only on: 03211)	18	16-9759	4	Link And Bushing ASM
2	323-6	10	Screw-HH	18:2	94-8945	8	Bushing
4	323-7	2	Screw-HH	20	323-11	4	Screw-HH
5	3253-5	4	Washer-Lock	21	323-10	4	Screw-HH
6	94-3695-01	1	Plate-Side Reel, RH	22	323-8	2	Screw-HH
7	32121-36	4	Pin-Spring	24	93-8826	1	Coupler-Reel, LH Thread
8	3296-39	6	Nut-Lock, NI	25	302-5	4	Fitting-Grease
9	32144-10	2	Screw-HWH	26	3234-1	4	Screw-HHF
11	94-3621	1	Front Grass Shield ASM	27	99-3404	2	Housing-Bearing
11:1	67-7960	1	Decal-Danger	28	100-4926	2	Bearing-Aligning, Self
11:1	93-8064	1	Decal-Danger (Europe)	29	93-8825	1	Coupler-Reel, RH Thread
11:1	94-4584	1	Decal-Danger (Japan)	30	93-8827	1	Spider-Coupler
12	95-8753-01	1	Reel Frame ASM	33	94-5979	2	Gasket
13	93-8849	1	Rear Grass Shield ASM	34	353-949	1	O-Ring
13:2	61-3280	2	Flap-Rubber	35	94-2703	1	Plug (For Shipping)
13:3	61-3290	2	Flap-Rubber, Middle	36	94-3699-01	3	Weight-3.5 Lbs (only on:3100D)
13:4	700382	12	Rivet	37	99-3442-01	1	Weight-2.0 Lbs (only on:3100D)
14	32128-36	8	Nut-HF	38	93-6960	1	Cover-Holder, Bearing
15	94-3697-01	1	LH Side Plate ASM	39	323-2	2	Screw-HH
16	93-8806	16	Washer-Hardened				

\* Not illustrated



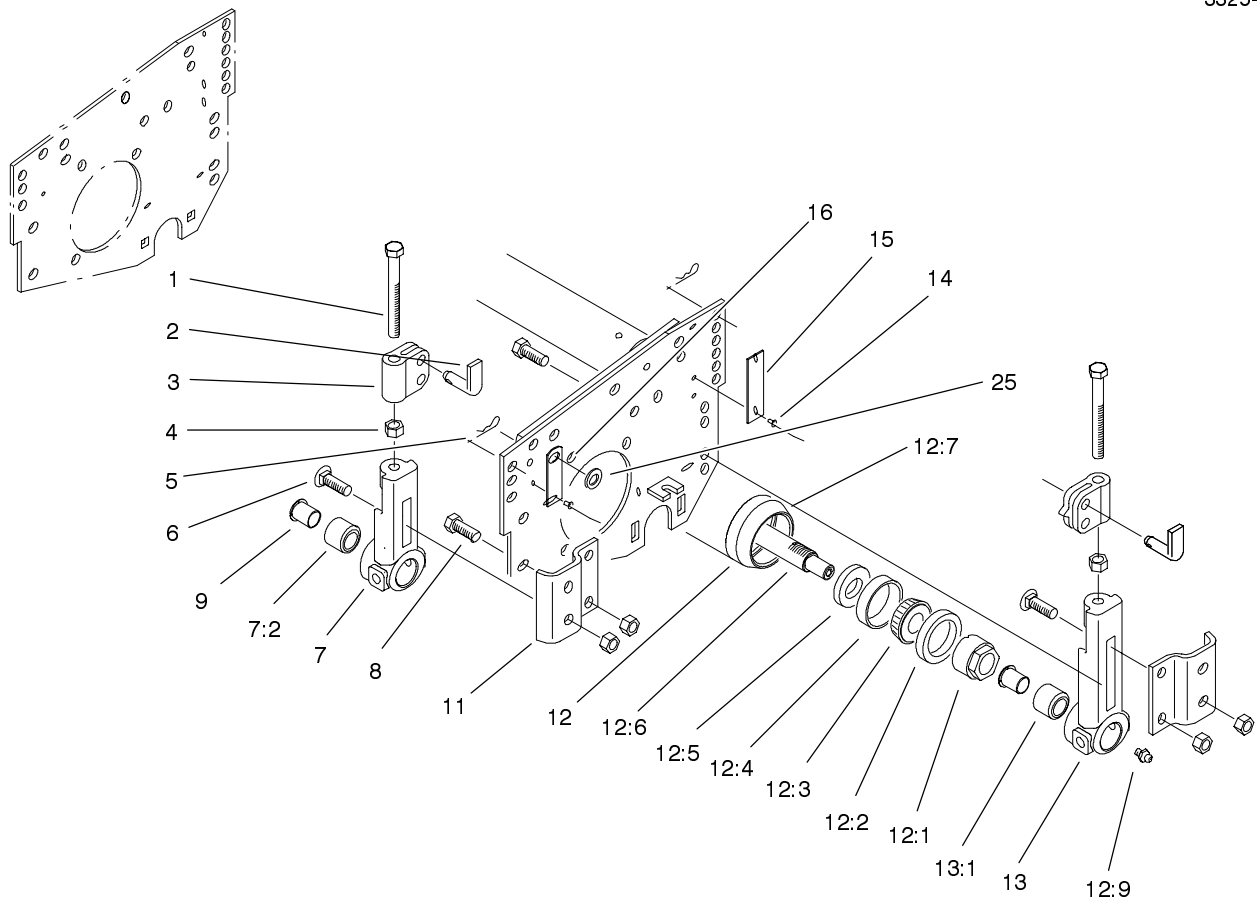
Sheet No.:3  
T-3342

## Bedbar Assembly

Ref. No.	Part No.	Qty.	Description
1	62-5510	2	Bushing-Rubber
2	52-2890	2	Bushing-Nylon
3	3296-62	1	Nut-Lock NI
4	57-5270	1	Spring-Comp
5	29-8910	2	Washer
8	95-8752	1	Arm-Spring
9	95-8877	1	Bedbar Adjuster ASM
13	93-2959	1	Spacer-Adjuster
15	57-5260	1	Pivot-Bedbar
16	302-18	1	Fitting-Grease
17	93-2892	1	Pivot-Bedbar,Main Adj
19	56-9520	2	Bushing-Flanged
21	3296-4	1	Nut-Lock, NI
22	3219-2	1	Nut-Hex
23	16-9769	1	Bedbar Adj. Housing & Bushing ASM
23:1	56-9510	1	Bushing ASM
24	3296-29	4	Nut-Lock
25	3230-2	4	Screw-CARR
☆26		1	Bedbar ASM
26:2	57-4910	10	Screw
27	61-1950	1	Washer-Bedbar
28	14-4459	1	Housing-Bedbar
28:1	56-9510	1	Bushing ASM
29	62-7120	1	Washer
30	3256-56	1	Washer-Flat

Ref. No.	Part No.	Qty.	Description
31	3253-4	1	Washer-Lock
32	322-3	1	Screw-HH
33	62-5180	1	Bedknife
33	104-1380	1	Bedknife-Duty, Heavy
34	95-8739-01	1	Machining-Bedbar
38	3256-74	4	Washer-Flat

☆ Not serviced

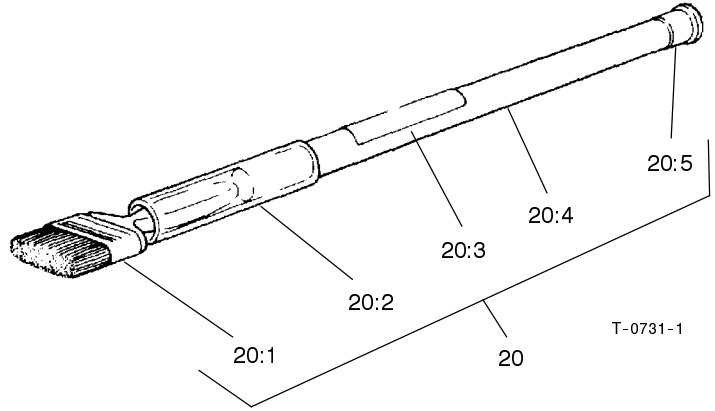
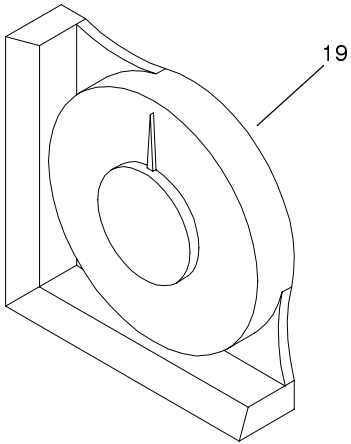
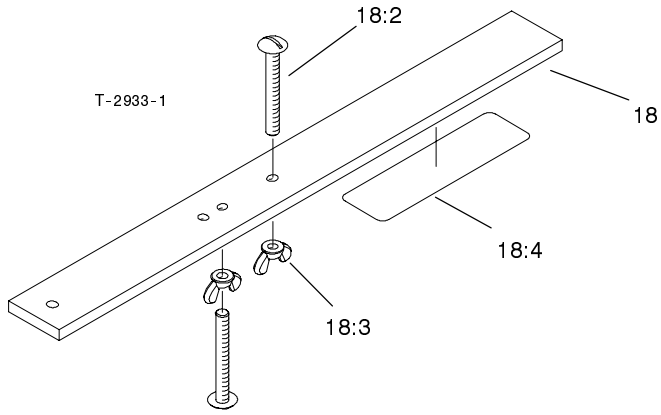


Sheet No.:4

T-3343

## Roller Assembly

Ref. No.	Part No.	Qty.	Description	Ref. No.	Part No.	Qty.	Description
1	323-57	4	Screw-HH	16	61-3790	2	Plate-HOC, Front
2	71-3690	4	Spade-Bent	25	3256-38	2	Washer-Flat
3	61-0420-01	4	Support-HOC				
4	3296-39	16	Nut-Lock, NI				
5	3290-467	4	Pin-Hair				
6	3231-25	4	Screw-CARR				
7	14-4489	2	Front HOC Bracket ASM				
7:2	56-9510	2	Bushing ASM				
8	323-6	8	Screw-HH				
9	56-9520	2	Bushing-Flanged				
11	61-0910	4	Bracket-Angle				
12	61-0410	1	Full Roller ASM				
12:1	71-3590	2	Nut-Adjustment				
12:2	105-0150	2	Seal-Grease				
12:3	254-78	2	Bearing-Cone				
12:4	254-79	2	Bearing-Roller, Cup				
12:5	253-152	2	Seal-Oil				
12:6	105-0156	1	Shaft-Roller				
12:7	12-4989-01	1	End Cap & Tube ASM				
12:9	302-5	2	Fitting-Grease				
13	14-4479	2	Rear HOC Bracket And Bushing ASM				
13:1	56-9510	2	Bushing ASM				
14	3290-55	8	Rivet-Pop				
15	61-3800	2	Plate-Rear				



Sheet No.:1

## Gauge Bar, Angle Indicator and Handle Assemblies

Ref. No.	Part No.	Qty.	Description
18	98-1852	1	Gauge Bar ASM
18:2	32122-54	2	Screw-Head, Truss
18:3	32103-3	2	Nut-Wing
18:4	98-7976	1	Decal-Bar, Gauge
19	99-3503	1	Indicator-Angle (only on: 03210)
20	29-9100	1	Handle ASM
20:1	36-4310	1	Brush
20:2	29-9090	1	Hose-Handle
20:3	12-9140	1	Decal-Body, Front
20:4	29-9080	1	Handle
20:5	2410-18	1	Cap-Plastic

Ref. No.	Part No.	Qty.	Description



