



Count on it.

Parts Catalog

TRX-26

Trencher

Model No. 22974—Serial No. 404710000 and Up



Ordering Replacement Parts

To order replacement parts, please supply the part number, the quantity, and the description of each part desired.

Understanding Reference Numbers

Each identified part in an illustration has a reference number. The reference number for a part also appears in the parts list, along with other information about the part.

This catalog uses two special reference number formats, one to indicate parts in a service assembly and another to indicate the quantity of a given part in an illustration.

Service Assembly Reference Numbers

Parts in service assemblies have reference numbers in the form a:b. The a represents the reference number of the entire service assembly and the b represents a sequential number unique to each part within the service assembly.

For example, a wheel assembly might be identified by reference number 6, the tire by 6:1, the valve by 6:2, and the wheel by 6:3. When you order the assembly identified by reference number 6, you receive all parts identified by reference numbers 6:1, 6:2, and 6:3. However, you may also order any part individually. Reference numbers of this type appear in illustration and in parts lists.

Reference Numbers Indicating Quantity

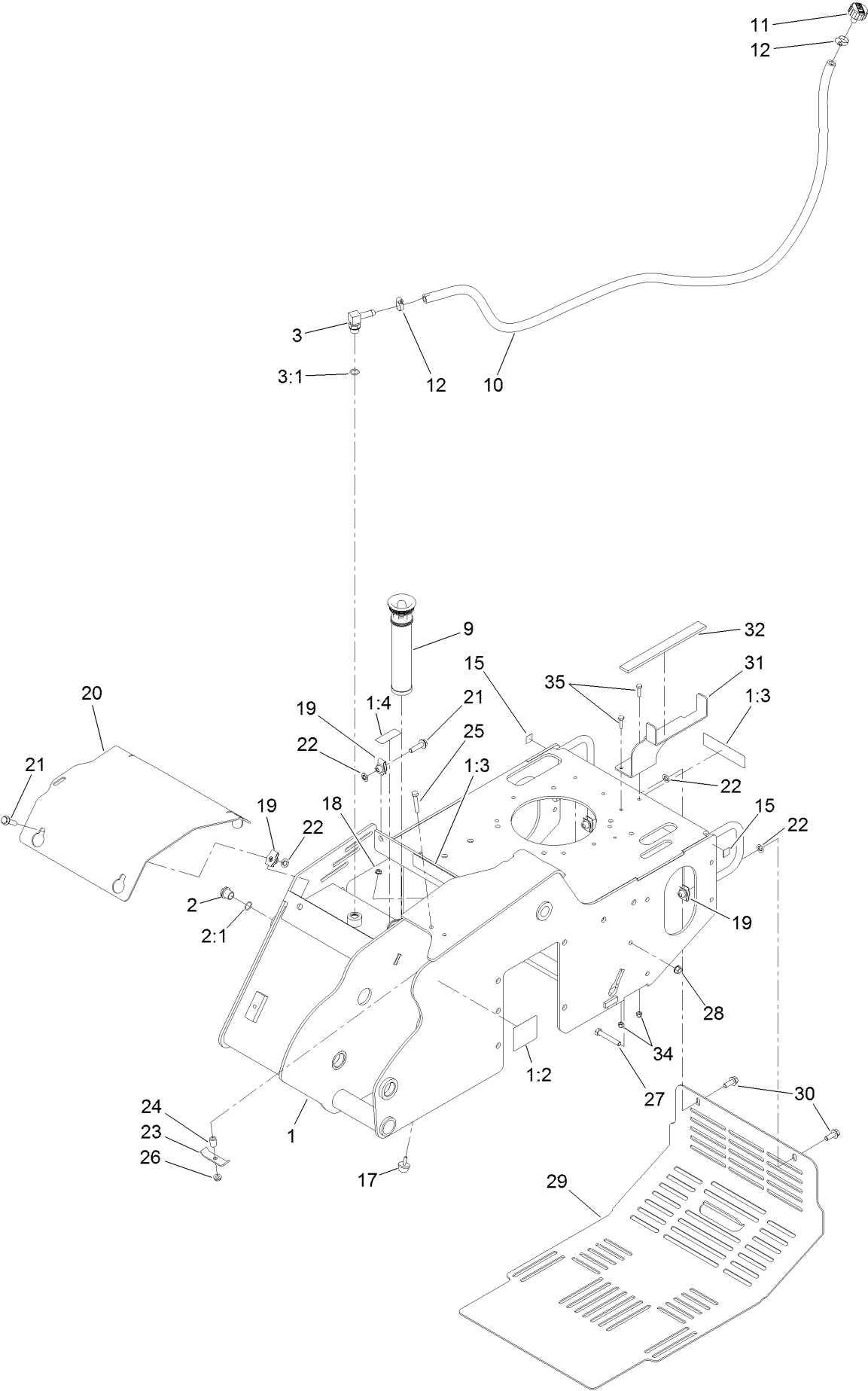
In an illustration, if a reference number indicates more than one part, the reference number has the form nX y. The n represents the quantity of the part, the X is the multiplication symbol, and the y represents the reference number.

For example, in an illustration, the reference number 2X 37 means that two of the parts identified by reference number 37 are indicated.

Contents

| | |
|---|----|
| Main Frame Assembly | 4 |
| Tower, Control Panel and Fuel Tank Assembly | 6 |
| Track Drive Assembly | 8 |
| Hydraulic Pump Assembly No. 117-6409 | 10 |
| Hydraulic Pump Assembly No. 117-6410 | 12 |
| Hydraulic Motor Assembly No. 104-8470 | 14 |
| Parking Brake Assembly | 16 |
| Engine, Muffler and Fuel Line Assembly | 18 |
| Gear Pump and Mount Assembly | 20 |
| Gear Pump Assembly No. 117-6307 | 22 |
| 2-Spool Valve and Hydraulic Motor Assembly | 24 |
| 2-Spool Valve Assembly No. 115-4062 | 26 |
| Hydraulic Cylinder Assembly No. 121-1955 | 28 |
| Hydraulic Motor Assembly No. 117-6306 | 30 |
| Oil Cooler Assembly | 32 |
| Trencher Head and Auger Assembly | 34 |
| Traction Control Assembly | 36 |
| Battery and Wire Harness Assembly | 38 |
| Cylinder and Crankcase Assembly | 40 |
| Piston and Crankshaft Assembly | 41 |
| Valve and Camshaft Assembly | 42 |
| Lubrication Equipment Assembly | 43 |
| Cooling Equipment Assembly | 44 |
| Electric Equipment Assembly | 45 |
| Carburetor Assembly | 46 |
| Control Equipment Assembly | 48 |
| Air Filter and Muffler Assembly | 49 |
| Fuel Tank and Valve Assembly | 50 |
| Starter Assembly | 51 |
| Label Set | 52 |
| Attachments and Accessories | 53 |

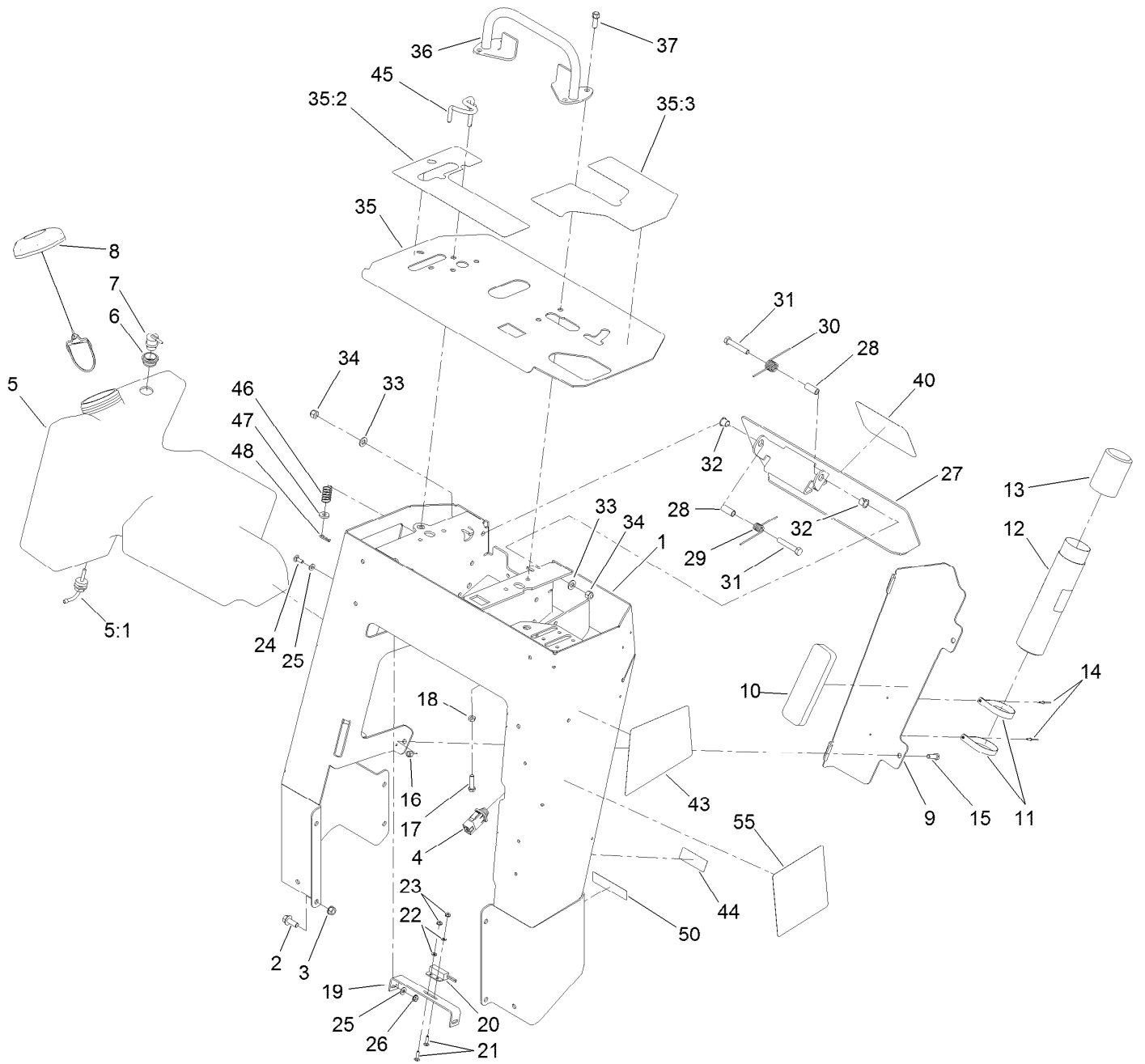
Main Frame Assembly



Main Frame Assembly (continued)

| <i>Ref.</i> | <i>Part Number</i> | <i>Qty.</i> | <i>Description</i> | <i>Ref.</i> | <i>Part Number</i> | <i>Qty.</i> | <i>Description</i> |
|-------------|--------------------|-------------|--------------------|-------------|--------------------|-------------|--------------------|
| 1 | 127-9602 | 1 | Main Frame ASM | 20 | 119-4566-03 | 1 | Plate-Cover, Front |
| 1:2 | 100-4650 | 1 | Decal-Warning | 21 | 3234-18 | 3 | Screw-HHF |
| 1:3 | 93-7814 | 2 | Decal-Danger | 22 | 107-3154 | 5 | Nut-Push |
| 1:4 | 93-6686 | 1 | Decal-Oil, HYD | 23 | 100-4860 | 1 | Bracket-Clamp |
| 2 | 114-3075 | 1 | Sight Glass ASM | 24 | 93-5023 | 1 | Spacer |
| 2:1 | 237-79 | 1 | O-Ring | 25 | 322-10 | 1 | Screw-HH |
| 3 | 354-120 | 1 | Fitting-Elbow, 90 | 26 | 32128-20 | 1 | Nut-HF |
| 3:1 | 237-79 | 1 | O-Ring | 27 | 323-12 | 1 | Screw-HH |
| 9 | 114-3039 | 1 | Filter-Tank, In | 28 | 32128-40 | 2 | Nut-Flange |
| 10 | 114-3042 | 1 | Hose-Breather | 29 | 115-6503-01 | 1 | Cover-Rear |
| 11 | 68-6150 | 1 | Breather | 30 | 3234-11 | 2 | Screw-HHF |
| 12 | 2412-36 | 2 | Clamp-Hose | 31 | 117-6407-01 | 1 | Bracket-Fuel Tank |
| 15 | 93-9084 | 2 | Decal-Point, Lift | 32 | 117-6417 | 1 | Pad-Foam |
| 17 | 1-523420 | 1 | Bumper | 34 | 3296-42 | 2 | Nut-Lock, NI |
| 18 | 32128-33 | 1 | Nut-HF | 35 | 321-6 | 2 | Screw-HH |
| 19 | 105-4886 | 5 | Nut-Tinnerman | | | | |

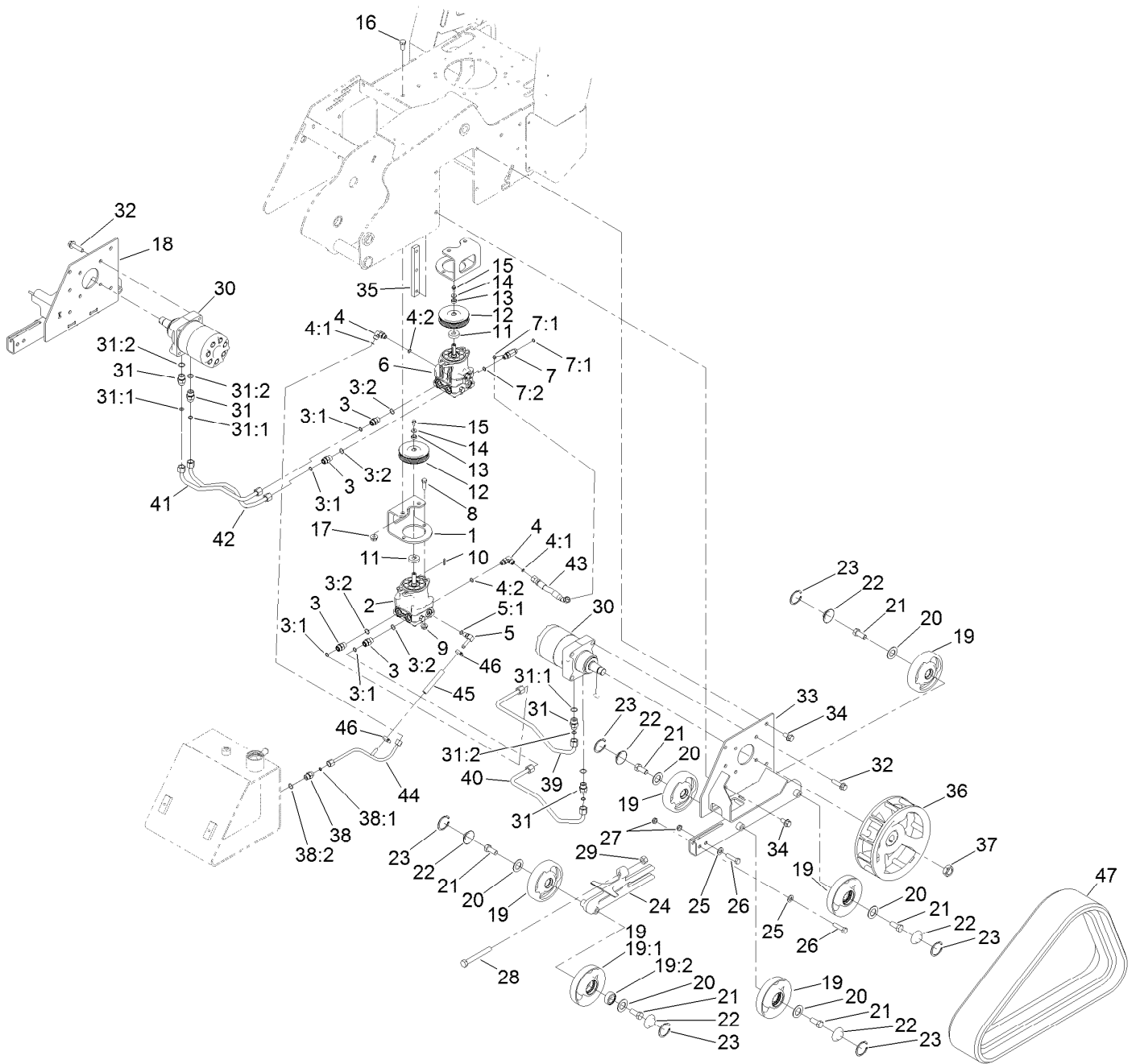
Tower, Control Panel and Fuel Tank Assembly



Tower, Control Panel and Fuel Tank Assembly (continued)

| <i>Ref.</i> | <i>Part Number</i> | <i>Qty.</i> | <i>Description</i> | <i>Ref.</i> | <i>Part Number</i> | <i>Qty.</i> | <i>Description</i> |
|-------------|--------------------|-------------|------------------------|-------------|--------------------|-------------|-----------------------|
| 1 | 117-6419-01 | 1 | Tower | 25 | 3256-22 | 4 | Washer-Flat |
| 2 | 3234-11 | 8 | Screw-HHF | 26 | 32149-2 | 2 | Nut-Keps |
| 3 | 32128-40 | 8 | Nut-Flange | 27 | 114-3012-03 | 1 | Plate-Reverse |
| 4 | 100-1268 | 1 | Switch-Plunger | 28 | 114-1337 | 2 | Spacer-Spring |
| 5 | 120-7358 | 1 | Tank-Fuel | 29 | 98-8425 | 1 | Spring-Torsion, LH |
| 5:1 | 103-2605 | 1 | Fitting-Fuel, Bulkhead | 30 | 98-8424 | 1 | Spring-Torsion, RH |
| 6 | 114-0284 | 1 | Grommet | 31 | 323-11 | 2 | Screw-HH |
| 7 | 119-3547 | 1 | Valve-Vent, Fuel | 32 | 256-257 | 2 | Bushing-Nyliner |
| 8 | 137-4119 | 1 | Cap-Fuel, Ratcheting | 33 | 3256-24 | 2 | Washer-Flat |
| 9 | 114-3065-01 | 1 | Bracket-Cover, Tank | 34 | 3296-39 | 2 | Nut-Lock, NI |
| 10 | 107-7507 | 1 | Pad-Foam | 35 | 117-6389 | 1 | Panel-Control |
| 11 | 2412-120 | 2 | Clamp-R | 35:2 | 115-1231 | 1 | Decal-Console, RH |
| 12 | 104-7050 | 1 | Tube-Manual | 35:3 | 115-1230 | 1 | Decal-Console, LH |
| 13 | 104-7048 | 1 | Cap-Housing | 36 | 106-7715 | 1 | Bar-Reference |
| 14 | 3269-17 | 2 | Rivet-Pop | 37 | 95-1726 | 4 | Screw-Taptite |
| 15 | 322-5 | 2 | Screw-HH | 40 | 105-1217 | 1 | Decal |
| 16 | 3296-29 | 2 | Nut-Lock, NI | 43 | 117-6415 | 1 | Decal-Side, LH |
| 17 | 3210-7 | 1 | Screw-HH | 44 | 120-7533 | 1 | Decal-Info |
| 18 | 3220-2 | 1 | Nut-Jam | 45 | 114-8727 | 1 | Rod-Interlock |
| 19 | 100-1263 | 1 | Plate-Switch | 46 | 85-6750 | 1 | Spring-Control |
| 20 | 100-1270 | 1 | Switch-Proximity | 47 | 88-7200 | 1 | Washer-Flat |
| 21 | 3229-20 | 2 | Screw-CARR | 48 | 3290-307 | 1 | Pin-Cotter |
| 22 | 3256-51 | 2 | Washer-Flat | 50 | 133-8062 | 1 | Decal-Arrestor, Spark |
| 23 | 32149-7 | 2 | Nut-Keps | 55 | 137-3874 | 1 | Decal-Service |
| 24 | 3229-1 | 2 | Screw-CARR | | | | |

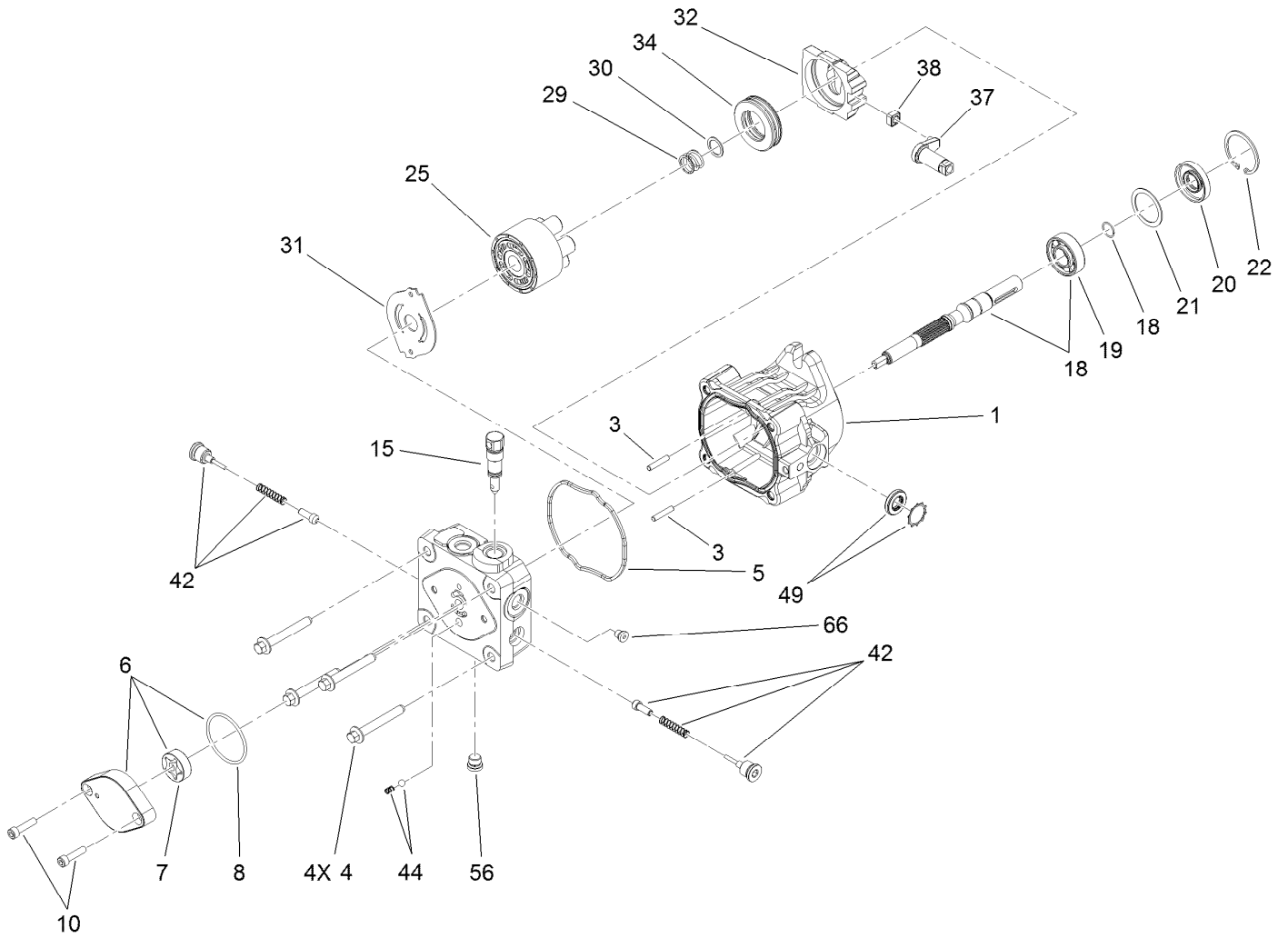
Track Drive Assembly



Track Drive Assembly (continued)

| <i>Ref.</i> | <i>Part Number</i> | <i>Qty.</i> | <i>Description</i> | <i>Ref.</i> | <i>Part Number</i> | <i>Qty.</i> | <i>Description</i> |
|-------------|--------------------|-------------|-----------------------|-------------|--------------------|-------------|---------------------|
| 1 | 115-1289-03 | 2 | Bracket-Mount, Pump | 22 | 106-7557 | 12 | Cap-Wheel, Bearing |
| 2 | 117-6409 | 1 | RH HYD Pump ASM | 23 | 106-7595 | 12 | Ring-Snap, Internal |
| 3 | 340-4 | 4 | Fitting-Straight | 24 | 114-3077-03 | 2 | Tensioner-Track |
| 3:1 | 237-30 | 1 | O-Ring | 25 | 3256-26 | 4 | Washer-Flat |
| 3:2 | 237-79 | 1 | O-Ring | 26 | 325-8 | 4 | Screw-HH |
| 4 | 340-77 | 2 | Fitting-Elbow, 90 DEG | 27 | 3296-45 | 4 | Nut-Hex |
| 4:1 | 237-22 | 1 | O-Ring | 28 | 112-4874 | 2 | Screw-HH, TAP |
| 4:2 | 237-42 | 1 | O-Ring | 29 | 3217-11 | 2 | Nut-Hex |
| 5 | 100-4887 | 1 | Fitting-Elbow, 90 | 30 | 104-8470 | 2 | HYD Wheel Motor ASM |
| 5:1 | 237-42 | 1 | O-Ring | 31 | 340-6 | 4 | Fitting-Straight |
| 6 | 117-6410 | 1 | LH HYD Pump ASM | 31:1 | 237-30 | 1 | O-Ring |
| 7 | 340-86 | 1 | Fitting-Tee | 31:2 | 237-80 | 1 | O-Ring |
| 7:1 | 237-22 | 2 | O-Ring | 32 | 3234-27 | 8 | Screw-HHF |
| 7:2 | 237-42 | 1 | O-Ring | 33 | 114-2992-03 | 1 | Frame-Track, LH |
| 8 | 324-5 | 4 | Screw-HH | 34 | 3234-6 | 10 | Screw-HHF |
| 9 | 32128-42 | 4 | Nut-HF | 35 | 114-3091 | 2 | Bar-Thread |
| 10 | 80-6090 | 2 | Key-Pump | 36 | 117-6426-03 | 2 | Wheel-Drive |
| 11 | 115-4002 | 2 | Spacer | 37 | 106-8159 | 2 | Nut-Lock |
| 12 | 115-1298 | 2 | Sheave | 38 | 340-3 | 1 | Fitting-Straight |
| 13 | 108-4211 | 2 | Bushing | 38:1 | 237-22 | 1 | O-Ring |
| 14 | 73-3580 | 2 | Washer | 38:2 | 237-79 | 1 | O-Ring |
| 15 | 33103-016 | 2 | Screw-HHF | 39 | 115-1285 | 1 | Tube-HYD |
| 16 | 325-4 | 4 | Screw-HH | 40 | 115-1286 | 1 | Tube-HYD |
| 17 | 32128-49 | 8 | Nut-HHF | 41 | 115-1287 | 1 | Tube-HYD |
| 18 | 114-2993-03 | 1 | Frame-Track, RH | 42 | 115-1288 | 1 | Tube-HYD |
| 19 | 112-4817 | 12 | Wheel-Tensioner | 43 | 115-1297 | 1 | Hose-HYD |
| 19:1 | 114-3014-03 | 1 | Wheel-Track | 44 | 117-1305 | 1 | Tube-HYD |
| 19:2 | 120-5378 | 1 | Bearing-Ball | 45 | 115-4083 | 1 | Hose |
| 20 | 106-7585 | 12 | Gasket-Bogie | 46 | 2412-36 | 2 | Clamp-Hose |
| 21 | 327-4 | 12 | Screw-HH | 47 | 112-4816 | 2 | Track-Rubber |

Hydraulic Pump Assembly No. 117-6409

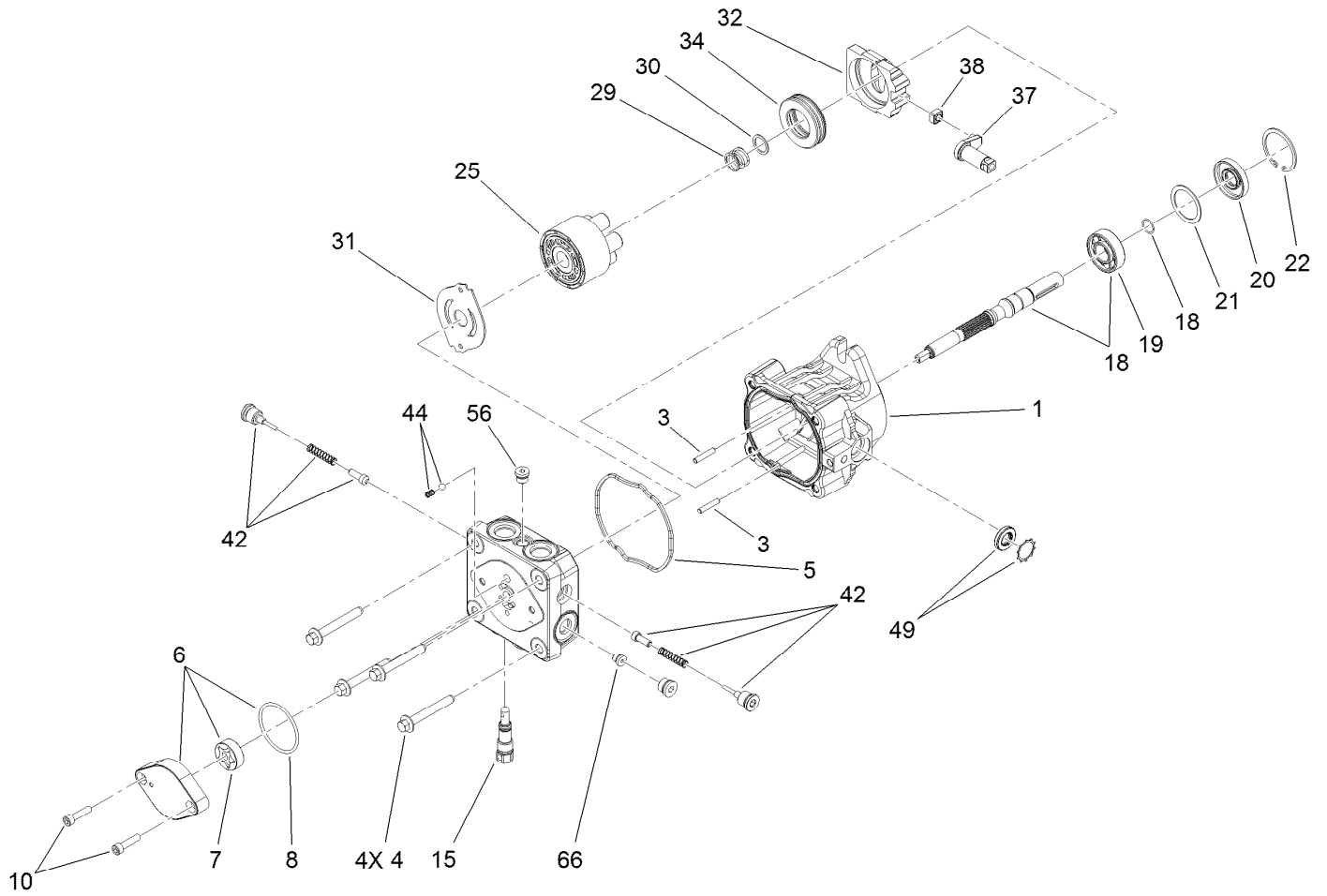


Hydraulic Pump Assembly No. 117-6409 (continued)

| <i>Ref.</i> | <i>Part Number</i> | <i>Qty.</i> | <i>Description</i> | <i>Ref.</i> | <i>Part Number</i> | <i>Qty.</i> | <i>Description</i> |
|-------------|--------------------|-------------|------------------------|-------------|--------------------|-------------|------------------------------|
| 1 | 115-4464 | 1 | Housing Kit | 29 | 94-1936 | 1 | Spring-Block |
| 3 | 106-8753 | 2 | Pin-Headless, Straight | 30 | 94-1937 | 1 | Washer-Thrust |
| 4 | 106-8754 | 4 | Bolt-HF | 31 | 105-6185 | 1 | Plate-Valve |
| 5 | 106-8755 | 1 | O-Ring | 32 | 94-1907 | 1 | Swashplate-Variable |
| 6 | 106-8756 | 1 | Charge Pump Kit | 34 | 94-6922 | 1 | Bearing-Thrust |
| 7 | 104-2122 | 1 | Gerotor ASM | 37 | 115-4458 | 1 | Arm-Trunnion, Tapered Square |
| 8 | 106-8757 | 1 | O-Ring | 38 | 94-1910 | 1 | Guide-Slot |
| 10 | 104-2111 | 2 | Capscrew | 42 | 98-3252 | 2 | Valve-Check (W/Poppet) |
| 15 | 106-8759 | 1 | Bypass Valve Kit | 44 | 106-8760 | 1 | Charge Relief Valve Kit |
| 18 | 103-2664 | 1 | Input Shaft Kit | 49 | 114-8155 | 1 | Trunnion Seal Kit |
| 19 | 104-5311 | 1 | Bearing-Ball | 56 | 106-8762 | 1 | Plug-HSH |
| 20 | 104-5310 | 1 | Seal-Lip | 66 | 106-8763 | 1 | Plug-HSH |
| 21 | 104-5308 | 1 | Spacer | 99 | 105-6184 | 1 | Seal Overhaul Kit ● |
| 22 | 104-5309 | 1 | Ring-Retaining | | | | |
| 25 | 103-2666 | 1 | Cylinder Block Kit | | | | |

● Not illustrated

Hydraulic Pump Assembly No. 117-6410

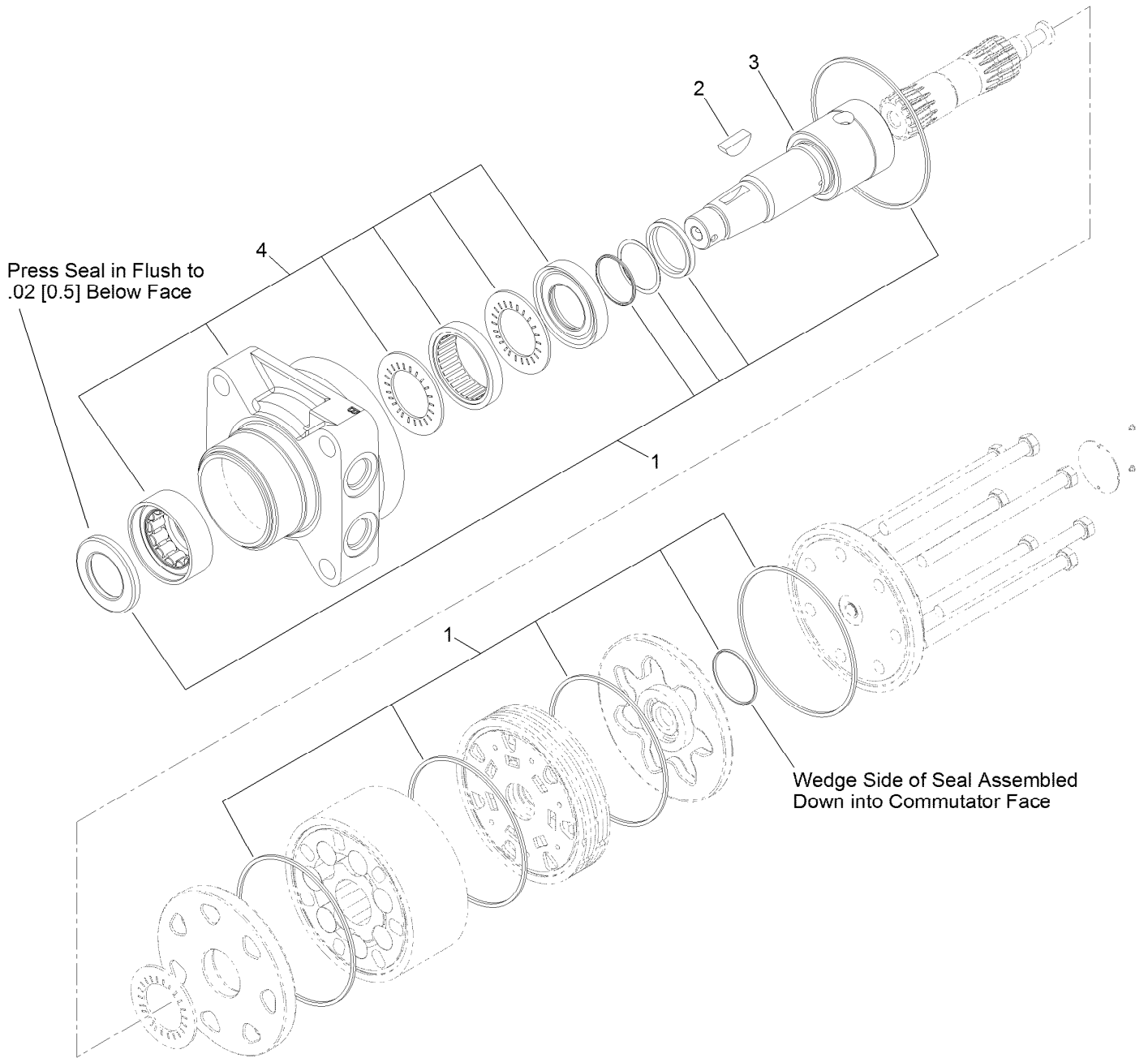


Hydraulic Pump Assembly No. 117-6410 (continued)

| <i>Ref.</i> | <i>Part Number</i> | <i>Qty.</i> | <i>Description</i> | <i>Ref.</i> | <i>Part Number</i> | <i>Qty.</i> | <i>Description</i> |
|-------------|--------------------|-------------|------------------------|-------------|--------------------|-------------|---------------------------------|
| 1 | 115-4464 | 1 | Housing Kit | 29 | 94-1936 | 1 | Spring-Block |
| 3 | 106-8753 | 2 | Pin-Headless, Straight | 30 | 94-1937 | 1 | Washer-Thrust |
| 4 | 106-8754 | 4 | Bolt-HF | 31 | 105-6185 | 1 | Plate-Valve |
| 5 | 106-8755 | 1 | O-Ring | 32 | 94-1907 | 1 | Swashplate-Variable |
| 6 | 106-8756 | 1 | Charge Pump Kit | 34 | 94-6922 | 1 | Bearing-Thrust |
| 7 | 104-2122 | 1 | Gerotor ASM | 37 | 115-4458 | 1 | Arm-Trunnion, Tapered Square |
| 8 | 106-8757 | 1 | O-Ring | 38 | 94-1910 | 1 | Guide-Slot |
| 10 | 104-2111 | 2 | Capscrew | 42 | 98-3252 | 2 | Valve-Check (W/Poppet) |
| 15 | 106-8759 | 1 | Bypass Valve Kit | 44 | 106-8760 | 1 | Charge Relief Valve Kit |
| 18 | 103-2664 | 1 | Input Shaft Kit | 49 | 114-8155 | 1 | Trunnion Seal Kit |
| 19 | 104-5311 | 1 | Bearing-Ball | 56 | 106-8762 | 1 | Plug-HSH |
| 20 | 104-5310 | 1 | Seal-Lip | 66 | 106-8763 | 1 | Plug-HSH |
| 21 | 104-5308 | 1 | Spacer | 99 | 105-6184 | 1 | Seal Overhaul Kit ● |
| 22 | 104-5309 | 1 | Ring-Retaining | | | | |
| 25 | 103-2666 | 1 | Cylinder Block Kit | | | | |

● Not illustrated

Hydraulic Motor Assembly No. 104-8470

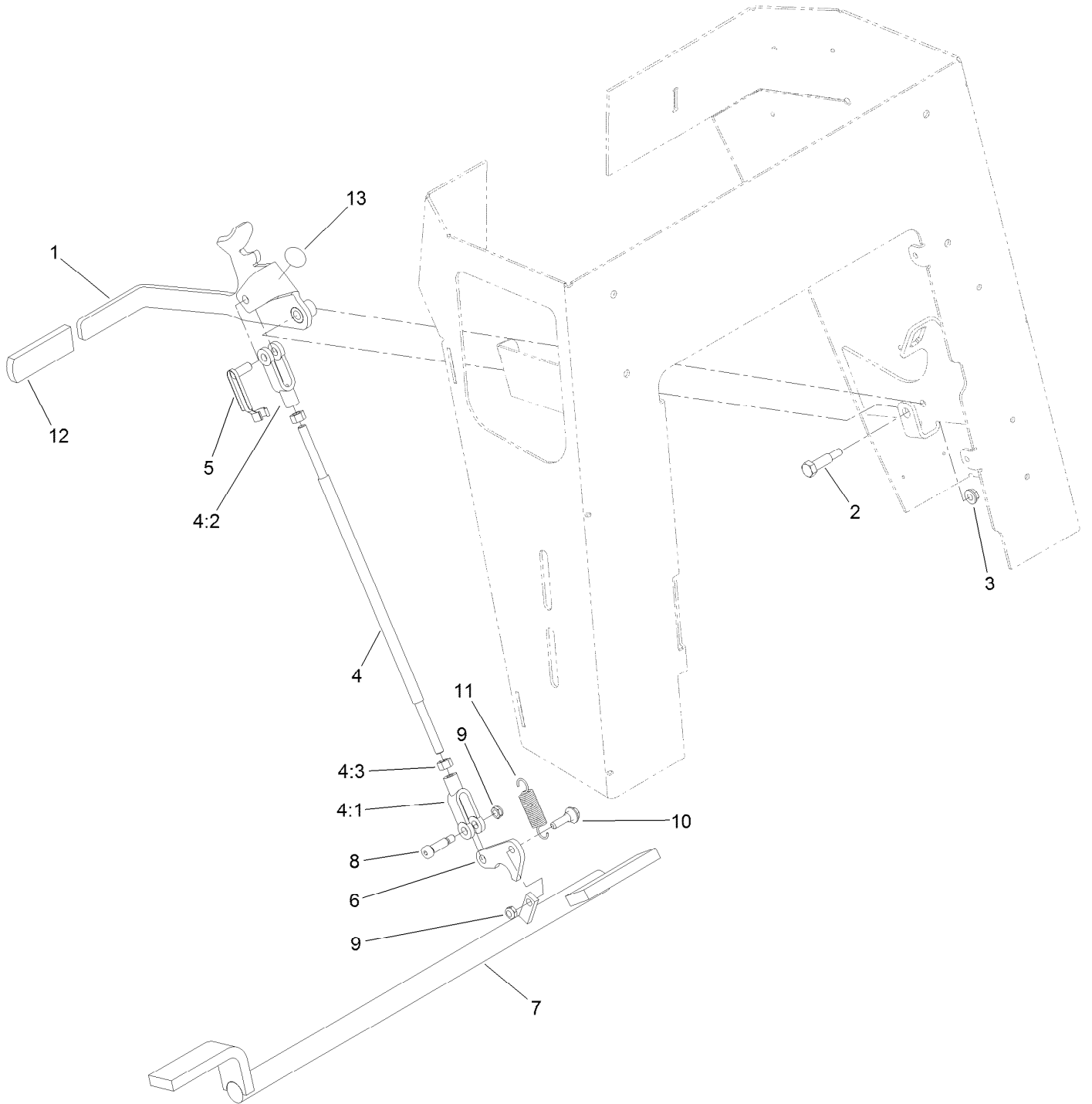


Hydraulic Motor Assembly No. 104-8470 (continued)

| <i>Ref.</i> | <i>Part Number</i> | <i>Qty.</i> | <i>Description</i> |
|-------------|--------------------|-------------|--------------------|
| 1 | 115-4061 | 1 | Seal Kit |
| 2 | 3257-42 | 1 | Key-Woodruff |

| <i>Ref.</i> | <i>Part Number</i> | <i>Qty.</i> | <i>Description</i> |
|-------------|--------------------|-------------|--------------------|
| 3 | 99-3090 | 1 | Shaft-Coupling |
| 4 | 120-5395 | 1 | Motor Housing ASM |

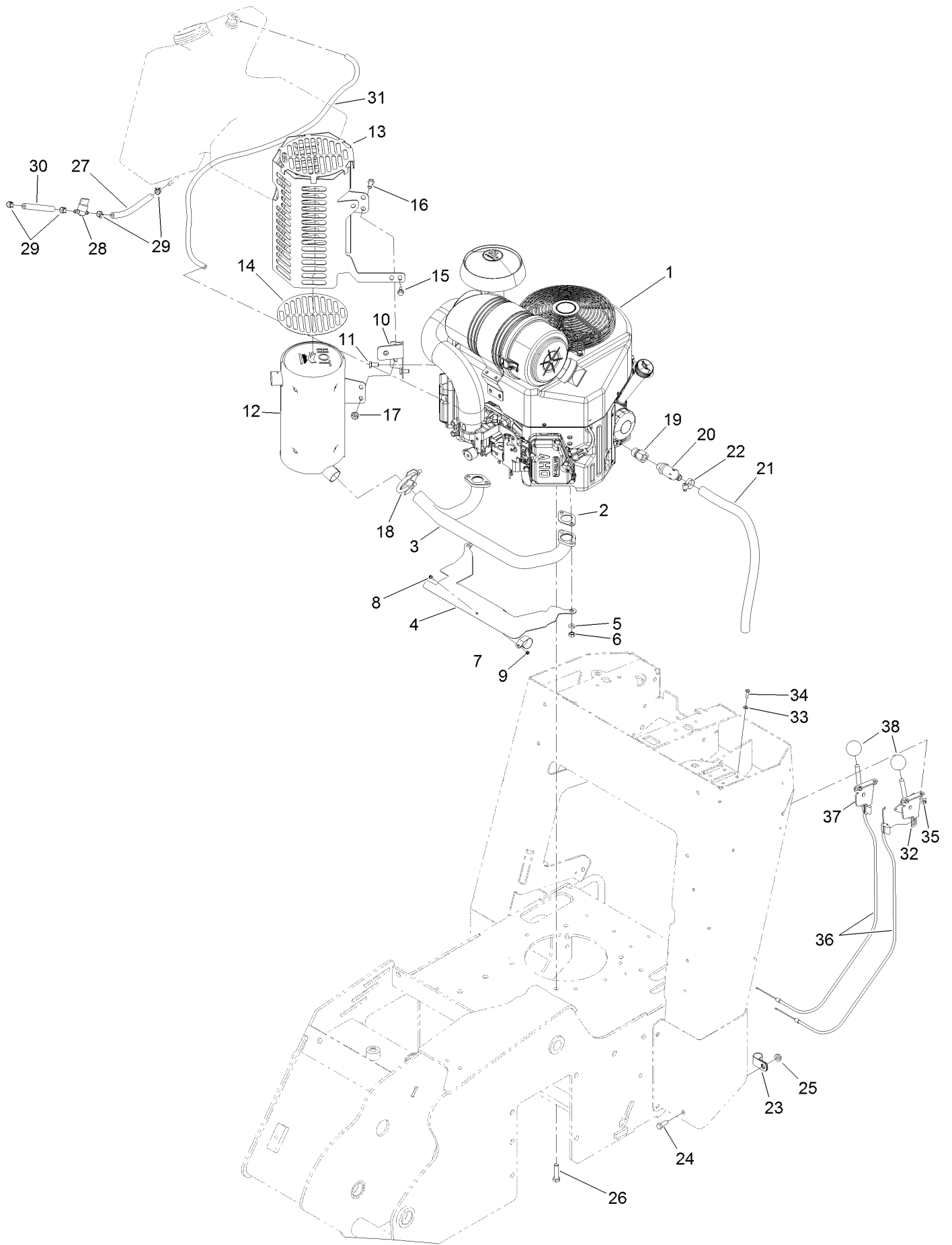
Parking Brake Assembly



Parking Brake Assembly (continued)

| <i>Ref.</i> | <i>Part Number</i> | <i>Qty.</i> | <i>Description</i> | <i>Ref.</i> | <i>Part Number</i> | <i>Qty.</i> | <i>Description</i> |
|-------------|--------------------|-------------|-----------------------|-------------|--------------------|-------------|----------------------|
| 1 | 117-6421-03 | 1 | Handle-Brake | 6 | 114-2975 | 1 | Link-Mounting |
| 2 | 7-0030 | 1 | Screw-Shoulder, HH | 7 | 114-2972-03 | 1 | Bar-Brake |
| 3 | 32128-20 | 1 | Nut-HF | 8 | 114-8629 | 1 | Bolt-Shoulder |
| 4 | 103-4335 | 1 | Brake Rod ASM | 9 | 3296-47 | 2 | Nut-Lock, NI |
| 4:1 | 1-633131 | 2 | Yoke-Linkage, Brake | 10 | 27-7211 | 1 | Screw-Shoulder |
| 4:2 | 103-3907 | 1 | Linkage-Handle, Brake | 11 | 67-1450 | 1 | Spring-Idler |
| 4:3 | 3219-3 | 2 | Nut-Hex | 12 | 62-9130 | 1 | Grip-Handle |
| 5 | 103-2399 | 1 | Pin-Spring, Clevis | 13 | 107-8495 | 1 | Decal-Brake, Parking |

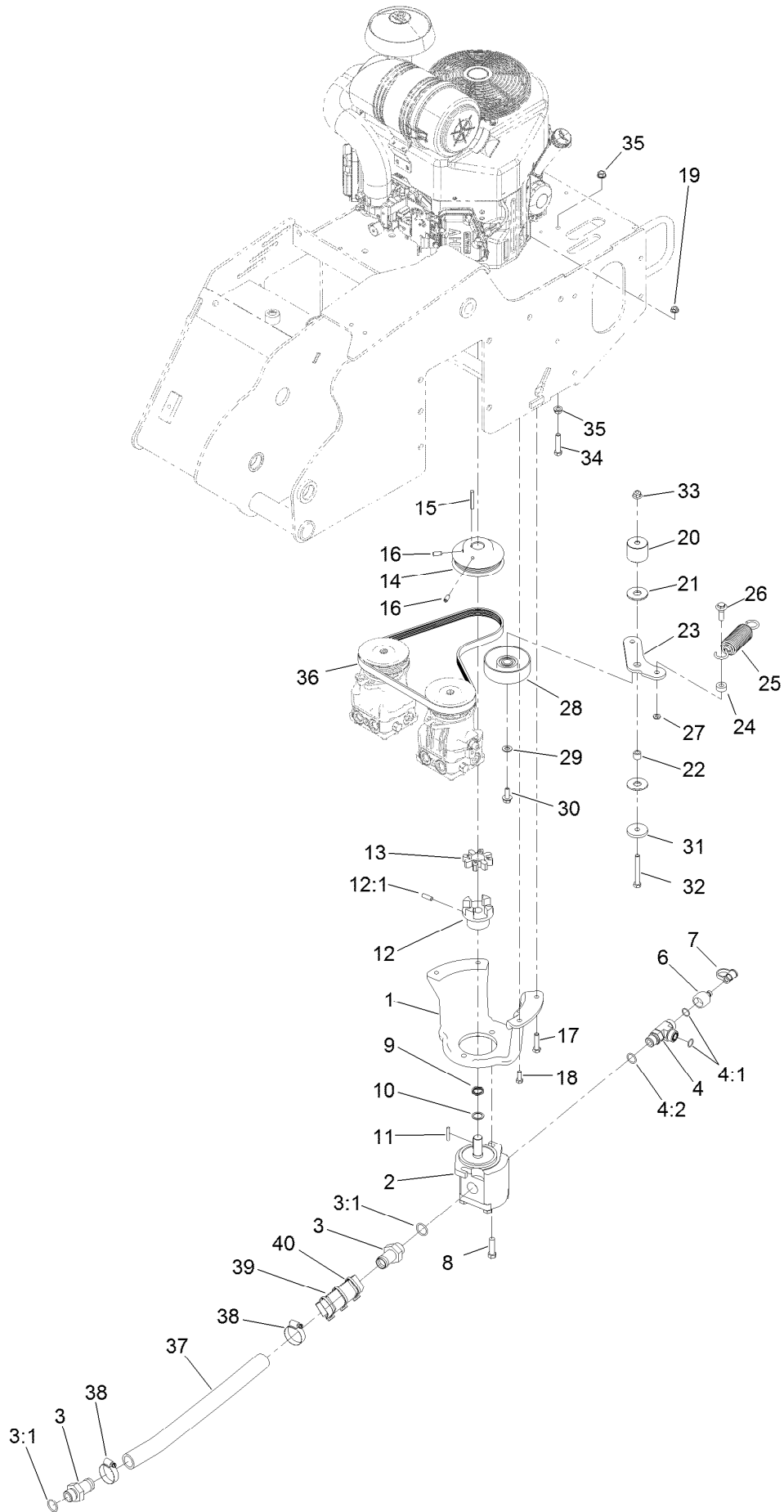
Engine, Muffler and Fuel Line Assembly



Engine, Muffler and Fuel Line Assembly (continued)

| <i>Ref.</i> | <i>Part Number</i> | <i>Qty.</i> | <i>Description</i> | <i>Ref.</i> | <i>Part Number</i> | <i>Qty.</i> | <i>Description</i> |
|-------------|--------------------|-------------|-------------------------|-------------|--------------------|-------------|--------------------|
| 1 | 117-6305 | 1 | Engine-Kawasaki, Fx730V | 20 | 92-6877 | 1 | Valve-Drain, Oil |
| 2 | 1-653313 | 2 | Gasket-Exhaust | 21 | 106-5709 | 1 | Hose-Vent |
| 3 | 120-7535 | 1 | Manifold, Muffler | 22 | 2412-36 | 1 | Clamp-Hose |
| 4 | 115-9227 | 1 | Plate-Shield, Heat | 23 | 2412-81 | 1 | Clamp-R |
| 5 | 115-6496 | 4 | Washer-Spring | 24 | 322-4 | 1 | Screw-HH |
| 6 | 115-6611 | 4 | Nut-Hex | 25 | 32128-20 | 1 | Nut-HF |
| 7 | 115-6488 | 1 | Clamp | 26 | 323-8 | 2 | Screw-HH |
| 8 | 115-6494 | 1 | Screw-Pan | 27 | 109-0306 | 1 | Hose-Fuel |
| 9 | 115-6495 | 1 | Nut-Hex | 28 | 1-603770 | 1 | Valve-Fuel |
| 10 | 115-9233-03 | 1 | Bracket-Mount, Muffler | 29 | 2412-98 | 4 | Clamp-Hose |
| 11 | 33114-016 | 2 | Screw-HH | 30 | 109-0295 | 1 | Hose-Fuel |
| 12 | 120-7536 | 1 | Muffler | 31 | 117-6396 | 1 | Hose-Vent, Tank |
| 13 | 137-4879-03 | 1 | Guard-Muffler | 32 | 110-5547 | 1 | Lever-Control |
| 14 | 131-0604 | 1 | Guard-Foil | 33 | 3256-21 | 4 | Washer-Flat |
| 15 | 33103-016 | 1 | Screw-HHF | 34 | 3290-134 | 4 | Screw |
| 16 | 33114-020 | 3 | Screw-HH | 35 | 3296-2 | 4 | Nut-Lock, NI |
| 17 | 112-2844 | 3 | Nut-HF | 36 | 115-1211 | 2 | Cable-Control |
| 18 | 2112-11 | 1 | Clamp-Muffler | 37 | 108-9730 | 1 | Lever-Control |
| 19 | 103-1966 | 1 | Adapter-STR | 38 | 233-42 | 2 | Knob |

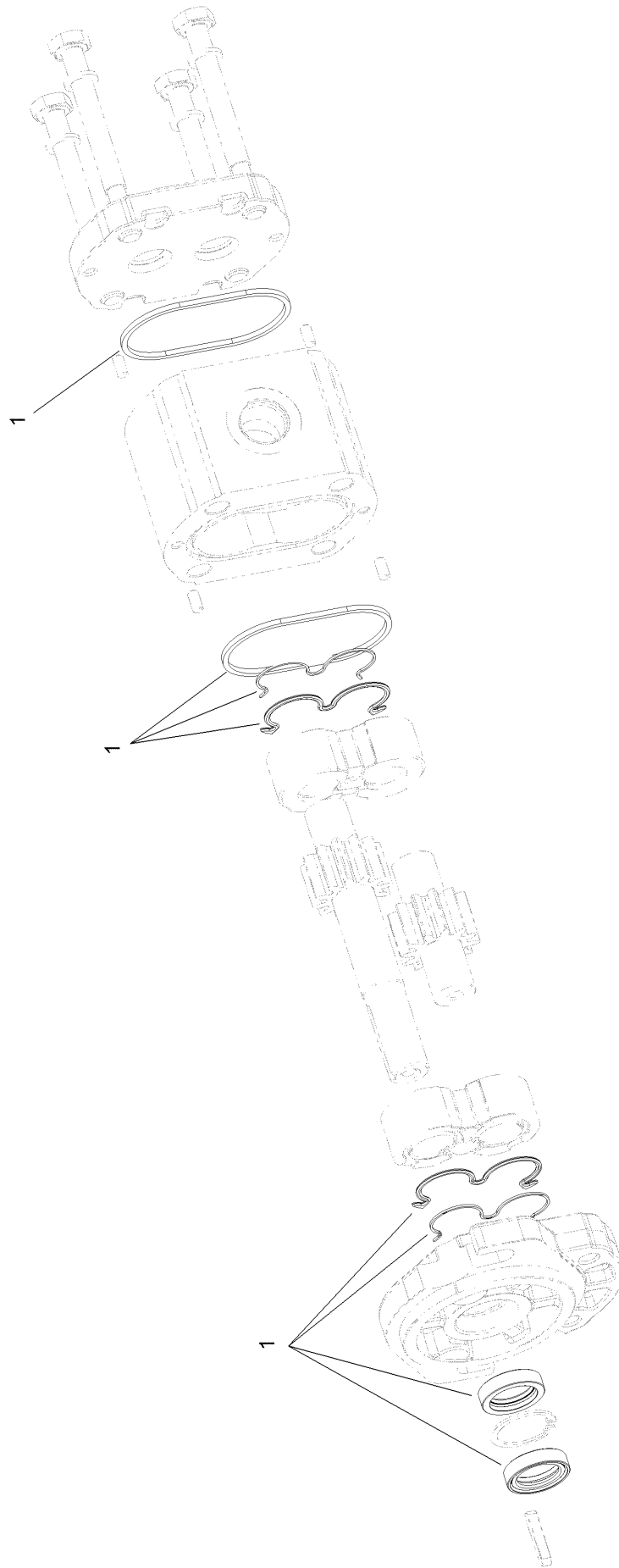
Gear Pump and Mount Assembly



Gear Pump and Mount Assembly (continued)

| <i>Ref.</i> | <i>Part Number</i> | <i>Qty.</i> | <i>Description</i> | <i>Ref.</i> | <i>Part Number</i> | <i>Qty.</i> | <i>Description</i> |
|-------------|--------------------|-------------|--------------------|-------------|--------------------|-------------|----------------------------|
| 1 | 115-1480-03 | 1 | Mount-Pump | 20 | 125-0251 | 1 | Spacer-Idler |
| 2 | 117-6307 | 1 | Gear Pump ASM | 21 | 114-0463 | 2 | Washer-Friction, Composite |
| 3 | 99-3017 | 2 | Fitting | 22 | 1-413088 | 1 | Bushing-Lever, Lift |
| 3:1 | 237-81 | 1 | O-Ring | 23 | 125-0252 | 1 | Arm-Idler |
| 4 | 340-22 | 1 | Fitting-Tee | 24 | 104-8426 | 1 | Spacer |
| 4:1 | 237-65 | 2 | O-Ring | 25 | 121-4523 | 1 | Spring-Extension |
| 4:2 | 237-80 | 1 | O-Ring | 26 | 614672 | 1 | Screw-Shoulder, HWH |
| 6 | 86-5860 | 1 | Nipple | 27 | 3296-59 | 1 | Nut-Lock, NI |
| 7 | 354-79 | 1 | Cap-Dust | 28 | 95-8802 | 1 | Pulley-Idler |
| 8 | 324-6 | 2 | Screw-HH | 29 | 3256-24 | 1 | Washer-Flat |
| 9 | 121-4517 | 1 | Washer-Wave | 30 | 3234-11 | 1 | Screw-HHF |
| 10 | 115-7210 | 1 | Washer-Thrust | 31 | 110-9981 | 1 | Washer-Plain |
| 11 | 27-8590 | 1 | Key-Square | 32 | 323-14 | 1 | Screw-HH |
| 12 | 114-2933 | 1 | Coupler-Flex | 33 | 104-8301 | 1 | Nut-HF, NI |
| 12:1 | 100-7594 | 1 | Screw-Set | 34 | 323-9 | 1 | Screw-HH |
| 13 | 93-8827 | 1 | Coupler-Spider | 35 | 3290-357 | 2 | Nut-HHF, Whiz |
| 14 | 114-8559-03 | 1 | Pulley-Engine | 36 | 114-2991 | 1 | Belt-V |
| 15 | 608006 | 1 | Key-Square | 37 | 114-2917 | 1 | Hose-Suction |
| 16 | 3246-6 | 2 | Screw-Set, HSH | 38 | 2412-111 | 2 | Clamp |
| 17 | 323-8 | 2 | Screw-HH | 39 | AU112950 | 2 | Protector-Hose |
| 18 | 322-5 | 2 | Screw-HH | 40 | 3290-378 | 3 | Tie-Cable |
| 19 | 32128-20 | 2 | Nut-HF | | | | |

Gear Pump Assembly No. 117-6307

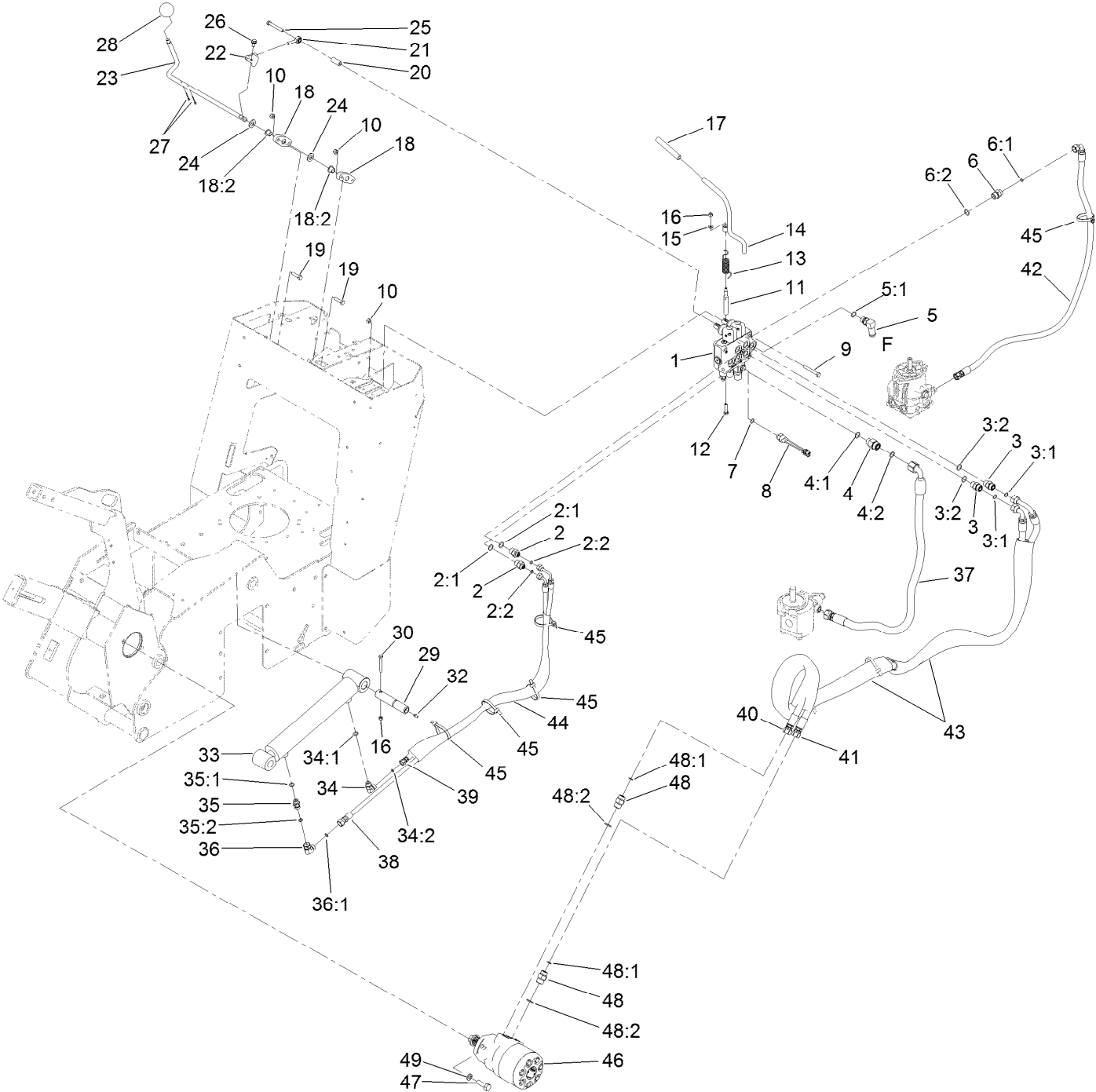


Gear Pump Assembly No. 117-6307 (continued)

| <i>Ref.</i> | <i>Part Number</i> | <i>Qty.</i> | <i>Description</i> |
|-------------|--------------------|-------------|--------------------|
| 1 | 115-1265 | 1 | Seal Kit ● |

● Not illustrated

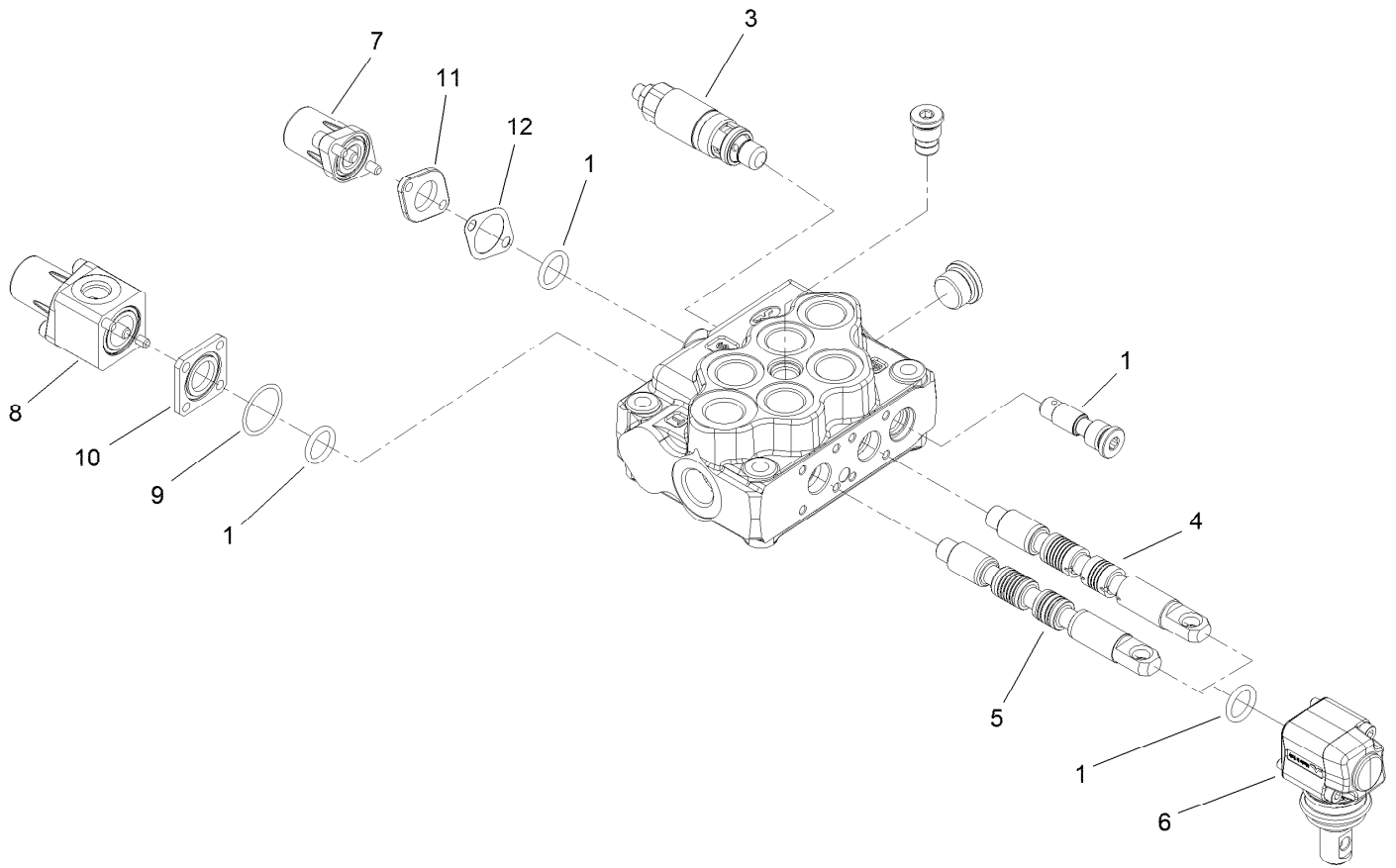
2-Spool Valve and Hydraulic Motor Assembly



2-Spool Valve and Hydraulic Motor Assembly (continued)

| <i>Ref.</i> | <i>Part Number</i> | <i>Qty.</i> | <i>Description</i> | <i>Ref.</i> | <i>Part Number</i> | <i>Qty.</i> | <i>Description</i> |
|-------------|--------------------|-------------|---------------------|-------------|--------------------|-------------|-----------------------|
| 1 | 115-4062 | 1 | HYD Valve ASM | 24 | 3256-26 | 2 | Washer-Flat |
| 2 | 340-133 | 2 | Fitting-STR | 25 | 33114-060 | 1 | Screw-HH |
| 2:1 | 237-79 | 1 | O-Ring | 26 | 3234-14 | 1 | Screw-HHF |
| 2:2 | 237-21 | 1 | O-Ring | 27 | 3272-7 | 2 | Pin-Cotter |
| 3 | 340-4 | 2 | Fitting-Straight | 28 | 233-21 | 1 | Knob |
| 3:1 | 237-30 | 1 | O-Ring | 29 | 120-7352 | 1 | Pin-Pivot |
| 3:2 | 237-79 | 1 | O-Ring | 30 | 321-18 | 1 | Screw-HH |
| 4 | 340-155 | 1 | Fitting-Straight | 32 | 302-5 | 1 | Fitting-Grease |
| 4:1 | 237-79 | 1 | O-Ring | 33 | 121-1955 | 1 | HYD Cylinder ASM |
| 4:2 | 237-151 | 1 | O-Ring | 34 | 340-82 | 1 | Fitting-Elbow, 90 DEG |
| 5 | 353-954 | 1 | Fitting-Elbow, 90 | 34:1 | 237-42 | 1 | O-Ring |
| 5:1 | 237-79 | 1 | O-Ring | 34:2 | 237-21 | 1 | O-Ring |
| 6 | 340-3 | 1 | Fitting-Straight | 35 | 115-4081 | 1 | Valve-Check |
| 6:1 | 237-22 | 1 | O-Ring | 35:1 | 237-42 | 1 | O-Ring |
| 6:2 | 237-79 | 1 | O-Ring | 35:2 | 237-22 | 1 | O-Ring |
| 7 | 237-42 | 1 | O-Ring | 36 | 340-159 | 1 | Elbow-90 |
| 8 | 72-4310 | 1 | Switch-Ball | 36:1 | 237-22 | 2 | O-Ring |
| 9 | 322-12 | 3 | Screw-HH | 37 | 114-3043 | 1 | Hose-HYD |
| 10 | 3296-29 | 7 | Nut-Lock, NI | 38 | 114-3044 | 1 | Hose-HYD |
| 11 | 104-2827 | 1 | Spacer-Hiflo | 39 | 114-3045 | 1 | Hose-HYD |
| 12 | 33114-035 | 1 | Screw-HH | 40 | 114-3046 | 1 | Hose-HYD |
| 13 | 112-2738 | 1 | Spring-Torsion | 41 | 114-3085 | 1 | Hose-HYD |
| 14 | 112-2739 | 1 | Lever-Auxiliary | 42 | 117-4038 | 1 | Hose-HYD |
| 15 | 3256-16 | 1 | Washer-Flat | 43 | 99-5648 | 2 | Sleeve-Protective |
| 16 | 3296-42 | 2 | Nut-Lock, NI | 44 | 115-4064 | 1 | Sleeve-Protective |
| 17 | 112-2605 | 1 | Grip-Rubber | 45 | 3334-945 | 8 | Tie-Cable |
| 18 | 138-3142 | 2 | Bushing ASM | 46 | 117-6306 | 1 | Hydraulic Motor ASM |
| 18:2 | 125-5239 | 1 | Bushing-Flange | 47 | 325-6 | 2 | Screw-HH |
| 19 | 322-6 | 4 | Screw-HH | 48 | 340-6 | 2 | Fitting-Straight |
| 20 | 103-0384 | 1 | Spacer | 48:1 | 237-30 | 1 | O-Ring |
| 21 | 115-1273 | 1 | Bearing-Rod End | 48:2 | 237-80 | 1 | O-Ring |
| 22 | 112-7210 | 1 | Bracket-Control | 49 | 3253-7 | 2 | Washer-Lock |
| 23 | 114-8598 | 1 | Rod-Lever, Cylinder | | | | |

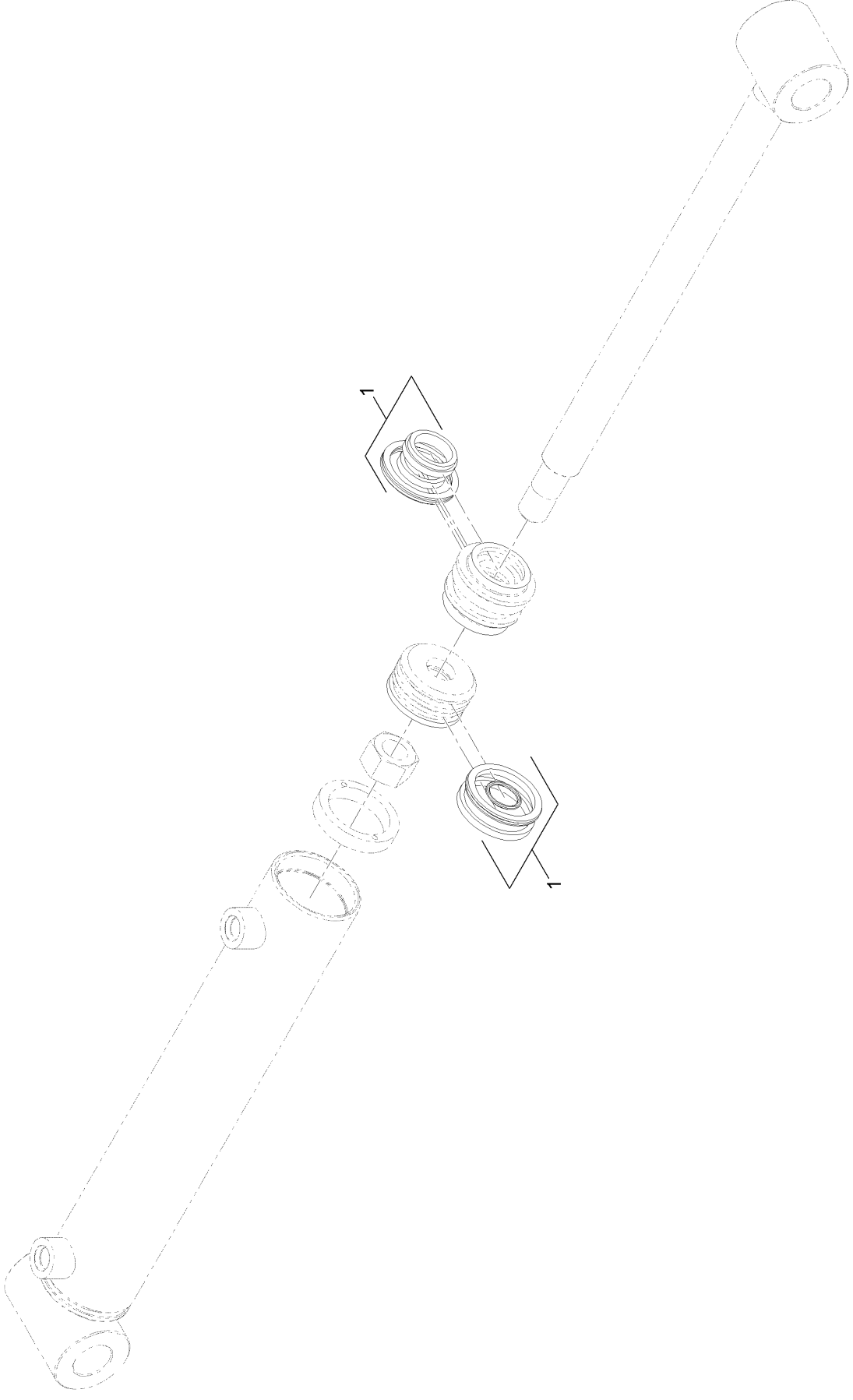
2-Spool Valve Assembly No. 115-4062



2-Spool Valve Assembly No. 115-4062 (continued)

| <i>Ref.</i> | <i>Part Number</i> | <i>Qty.</i> | <i>Description</i> | <i>Ref.</i> | <i>Part Number</i> | <i>Qty.</i> | <i>Description</i> |
|-------------|--------------------|-------------|--------------------|-------------|--------------------|-------------|--------------------------|
| 1 | 106-7719 | 4 | Seal-Valve | 8 | 115-4093 | 1 | Switch Spring Return Kit |
| 3 | 100-8805 | 1 | Valve-Relief | 9 | 115-4097 | 1 | Seal-Return |
| 4 | 115-4084 | 1 | Spool-Valve | 10 | 115-4094 | 1 | Spacer-Square |
| 5 | 106-7572 | 1 | Spool | 11 | 115-4089 | 1 | Spacer-Spring Return |
| 6 | 100-7229 | 2 | Lever Kit | 12 | 115-4088 | 1 | Gasket-Return |
| 7 | 115-4092 | 1 | Spring Return Kit | | | | |

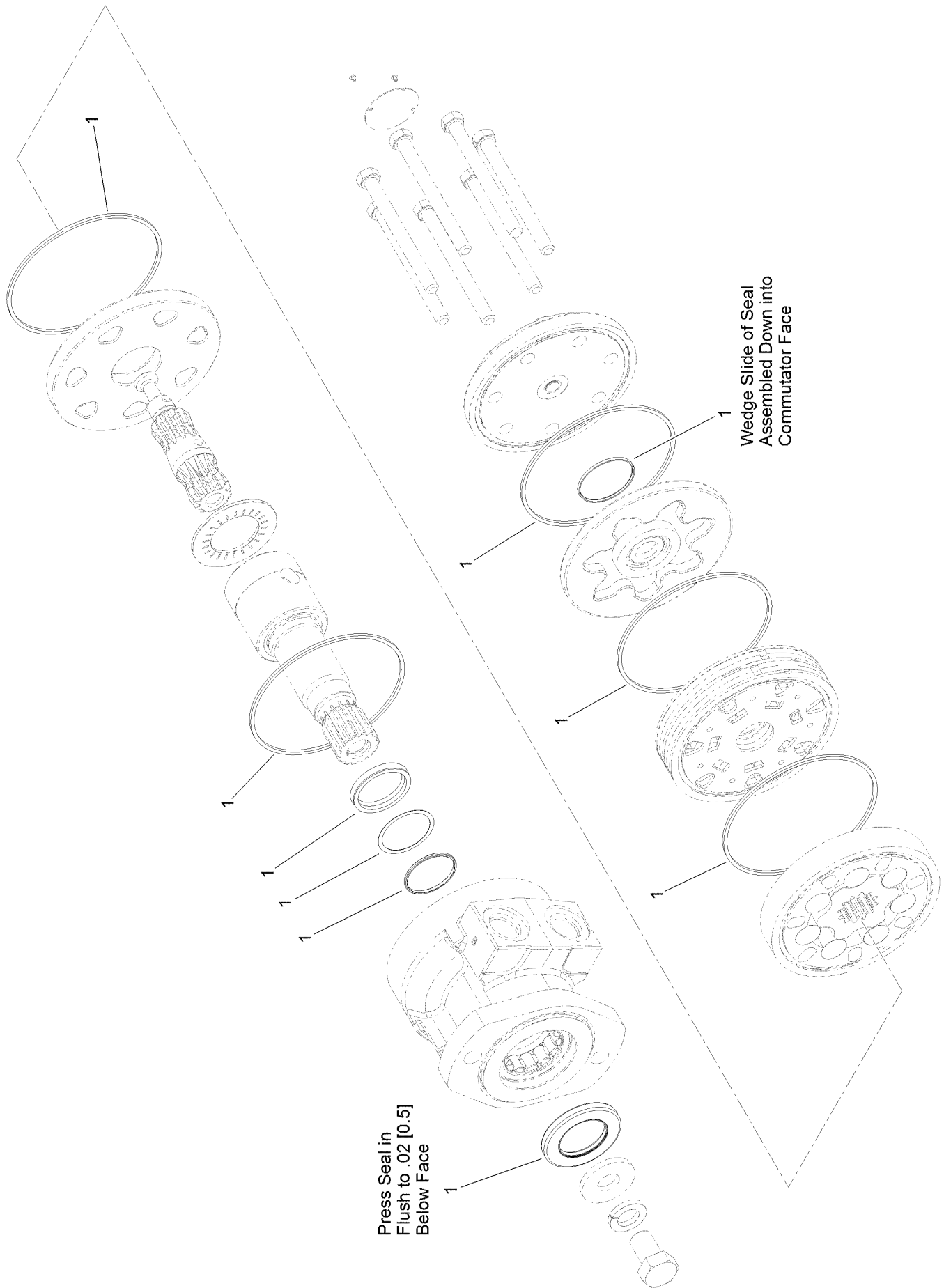
Hydraulic Cylinder Assembly No. 121-1955



Hydraulic Cylinder Assembly No. 121-1955 (continued)

| <i>Ref.</i> | <i>Part Number</i> | <i>Qty.</i> | <i>Description</i> |
|-------------|--------------------|-------------|--------------------|
| 1 | 131-0665 | 1 | Seal Kit |

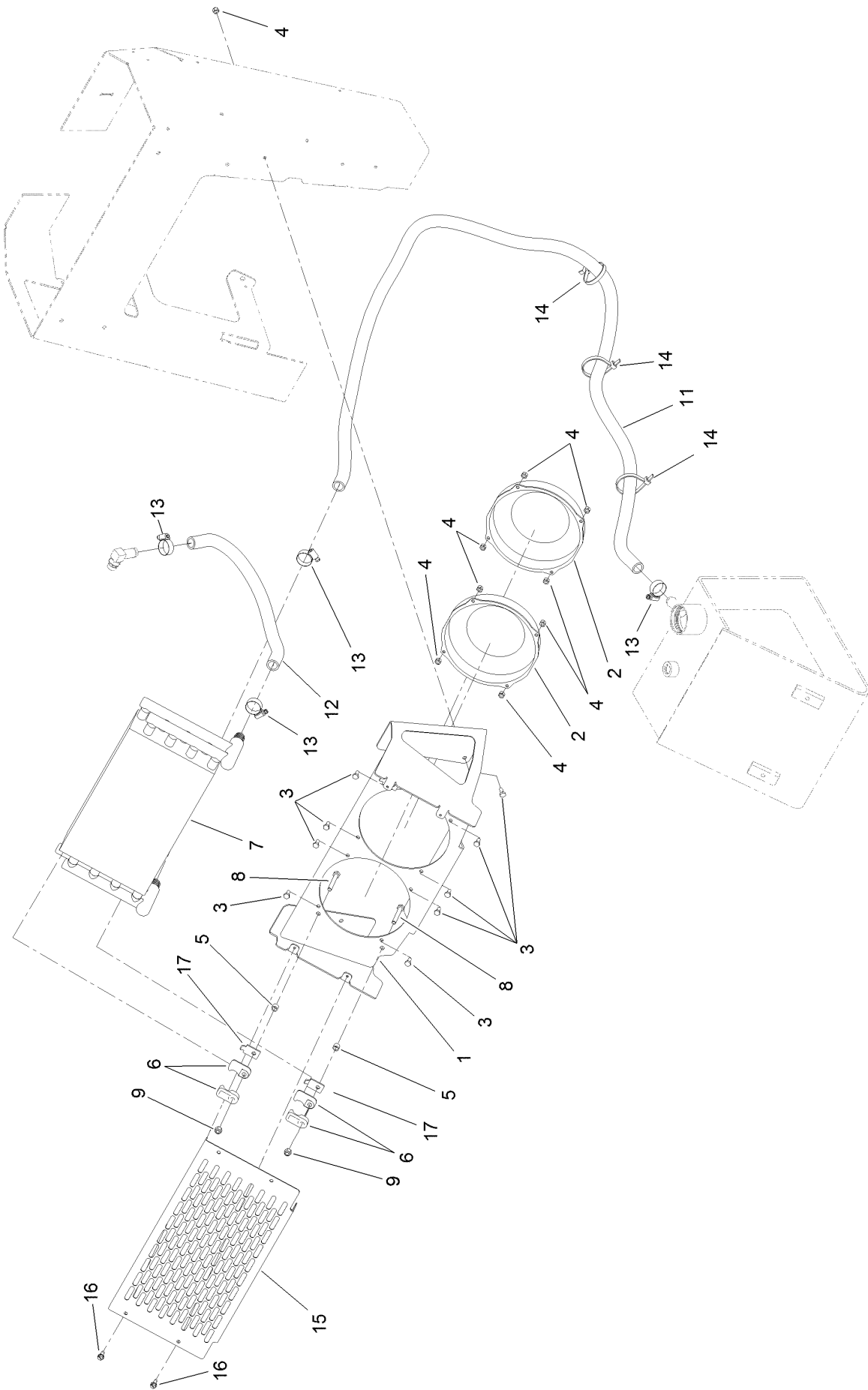
Hydraulic Motor Assembly No. 117-6306



Hydraulic Motor Assembly No. 117-6306 (continued)

| <i>Ref.</i> | <i>Part Number</i> | <i>Qty.</i> | <i>Description</i> |
|-------------|--------------------|-------------|--------------------|
| 1 | 115-4061 | 1 | Seal Kit |

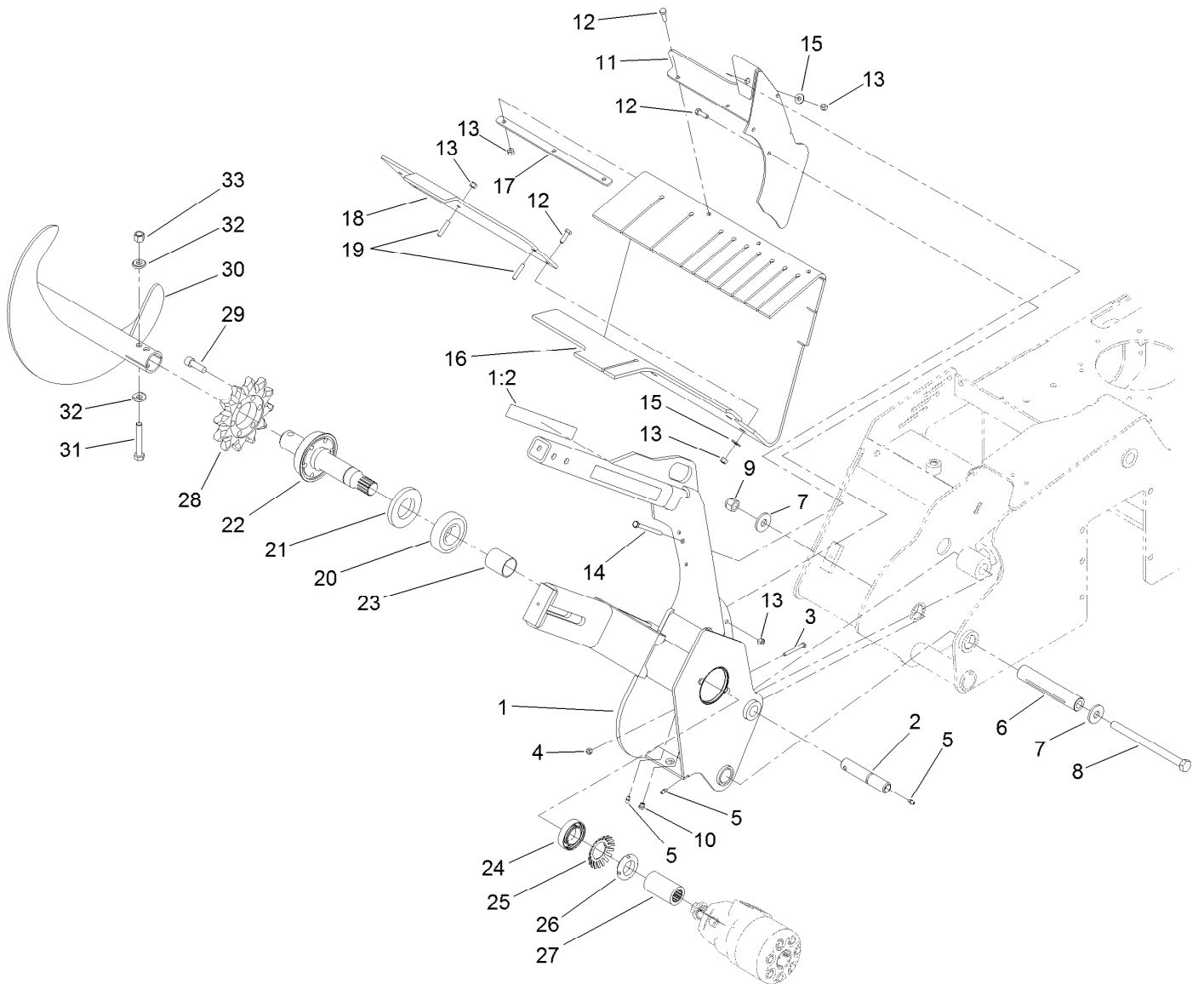
Oil Cooler Assembly



Oil Cooler Assembly (continued)

| <i>Ref.</i> | <i>Part Number</i> | <i>Qty.</i> | <i>Description</i> | <i>Ref.</i> | <i>Part Number</i> | <i>Qty.</i> | <i>Description</i> |
|-------------|--------------------|-------------|--------------------|-------------|--------------------|-------------|----------------------|
| 1 | 115-9240-01 | 1 | Mount-Cooler | 9 | 3296-29 | 4 | Nut-Lock, NI |
| 2 | 120-7390 | 2 | Fan | 11 | 115-1207 | 1 | Hose-Return |
| 3 | 321-3 | 12 | Screw-HH | 12 | 125-0266 | 1 | Hose-Return |
| 4 | 104-7201 | 16 | Nut-HF | 13 | 2412-129 | 4 | Clamp-Hose |
| 5 | 105-5723 | 4 | Spacer-Tube | 14 | 3334-945 | 3 | Tie-Cable |
| 6 | 131-0733 | 8 | Clamp | 15 | 119-4633-01 | 1 | Cover-Cooler |
| 7 | 117-6320 | 1 | Cooler-Oil | 16 | 32104-95 | 4 | Screw-HWH |
| 8 | 322-11 | 4 | Screw-HH | 17 | 131-0642 | 4 | Plate-Support, Clamp |

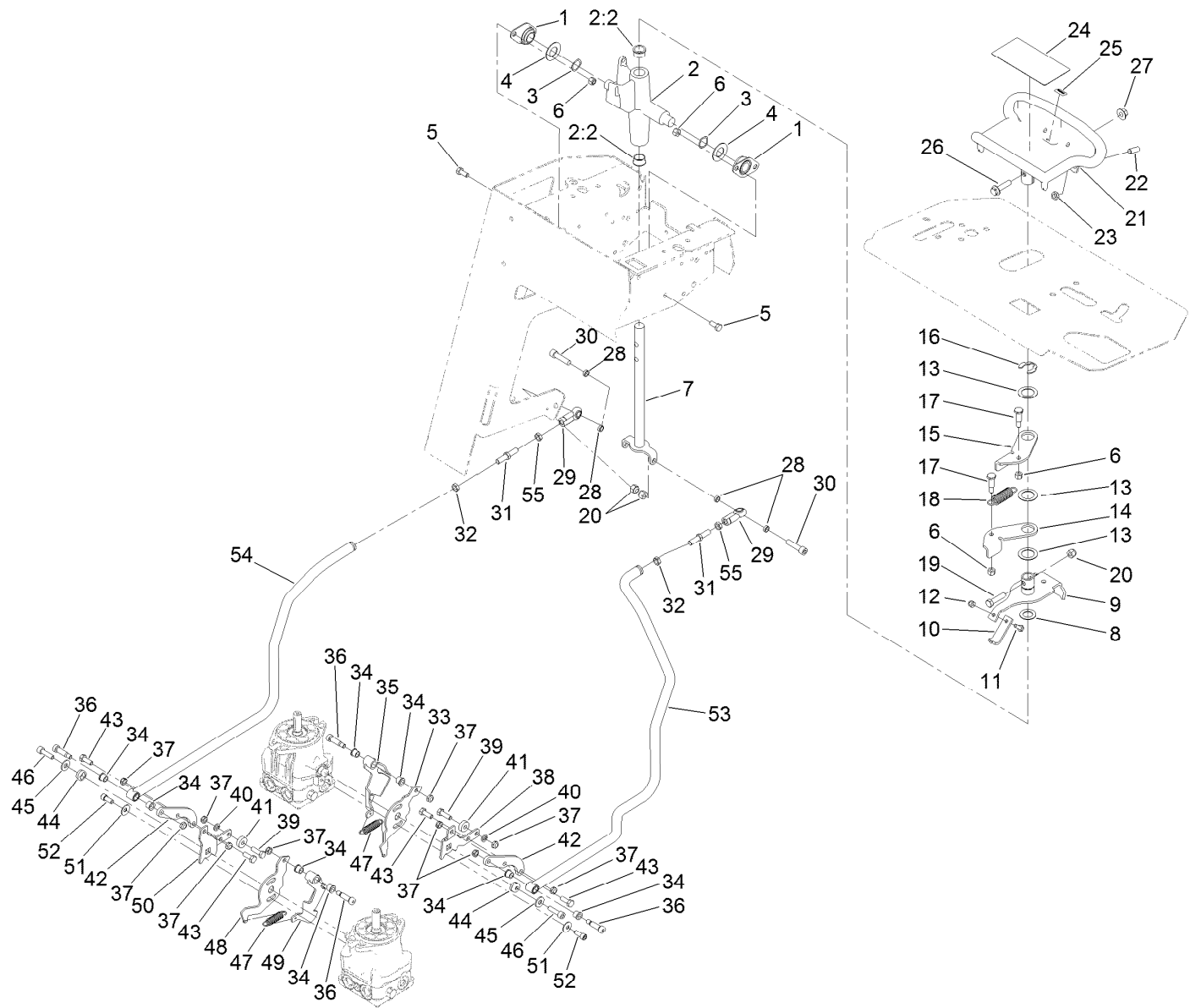
Trencher Head and Auger Assembly



Trencher Head and Auger Assembly (continued)

| <i>Ref.</i> | <i>Part Number</i> | <i>Qty.</i> | <i>Description</i> | <i>Ref.</i> | <i>Part Number</i> | <i>Qty.</i> | <i>Description</i> |
|-------------|--------------------|-------------|--------------------|-------------|--------------------|-------------|---------------------|
| 1 | 117-6423 | 1 | Trencher Head ASM | 17 | 115-4001-03 | 1 | Plate-Strap, Shield |
| 1:2 | 99-9952 | 2 | Decal-Danger | 18 | 117-6316-03 | 1 | Clamp-Bar |
| 2 | 120-7352 | 1 | Pin-Pivot | 19 | 115-4049 | 2 | Screw-HSH |
| 3 | 321-18 | 1 | Screw-HH | 20 | 106-8871 | 1 | Bearing-Ball |
| 4 | 3296-42 | 1 | Nut-Lock, NI | 21 | 114-2955 | 1 | Seal-Grease |
| 5 | 302-5 | 3 | Fitting-Grease | 22 | 117-6308 | 1 | Shaft-Trencher |
| 6 | 121-4571 | 1 | Spacer-Pivot | 23 | 112-4979 | 1 | Spacer |
| 7 | 104-9216 | 2 | Washer-Hardened | 24 | 111199 | 1 | Bearing-Ball |
| 8 | 117-6327 | 1 | Bolt-HH | 25 | 114-2956 | 1 | Lockwasher-Bearing |
| 9 | 3296-53 | 1 | Nut-Lock, NI | 26 | 88-1450 | 1 | Locknut-Bearing |
| 10 | 302-34 | 1 | Fitting-Lube | 27 | 117-6315 | 1 | Collar-Splined |
| 11 | 115-1279-03 | 1 | Bracket-Shield | 28 | 104-1964 | 1 | Sprocket-Trencher |
| 12 | 322-5 | 8 | Screw-HH | 29 | 3274-4 | 6 | Screw-HSH |
| 13 | 3296-29 | 11 | Nut-Lock, NI | 30 | 117-8852-03 | 1 | Auger-Trencher |
| 14 | 322-23 | 1 | Screw-HH | 31 | 325-13 | 1 | Screw-HH |
| 15 | 3256-3 | 4 | Washer-Flat | 32 | 117-3479 | 2 | Washer-Saddle |
| 16 | 117-6317 | 1 | Shield-Dirt | 33 | 3296-23 | 1 | Nut-Lock, NI |

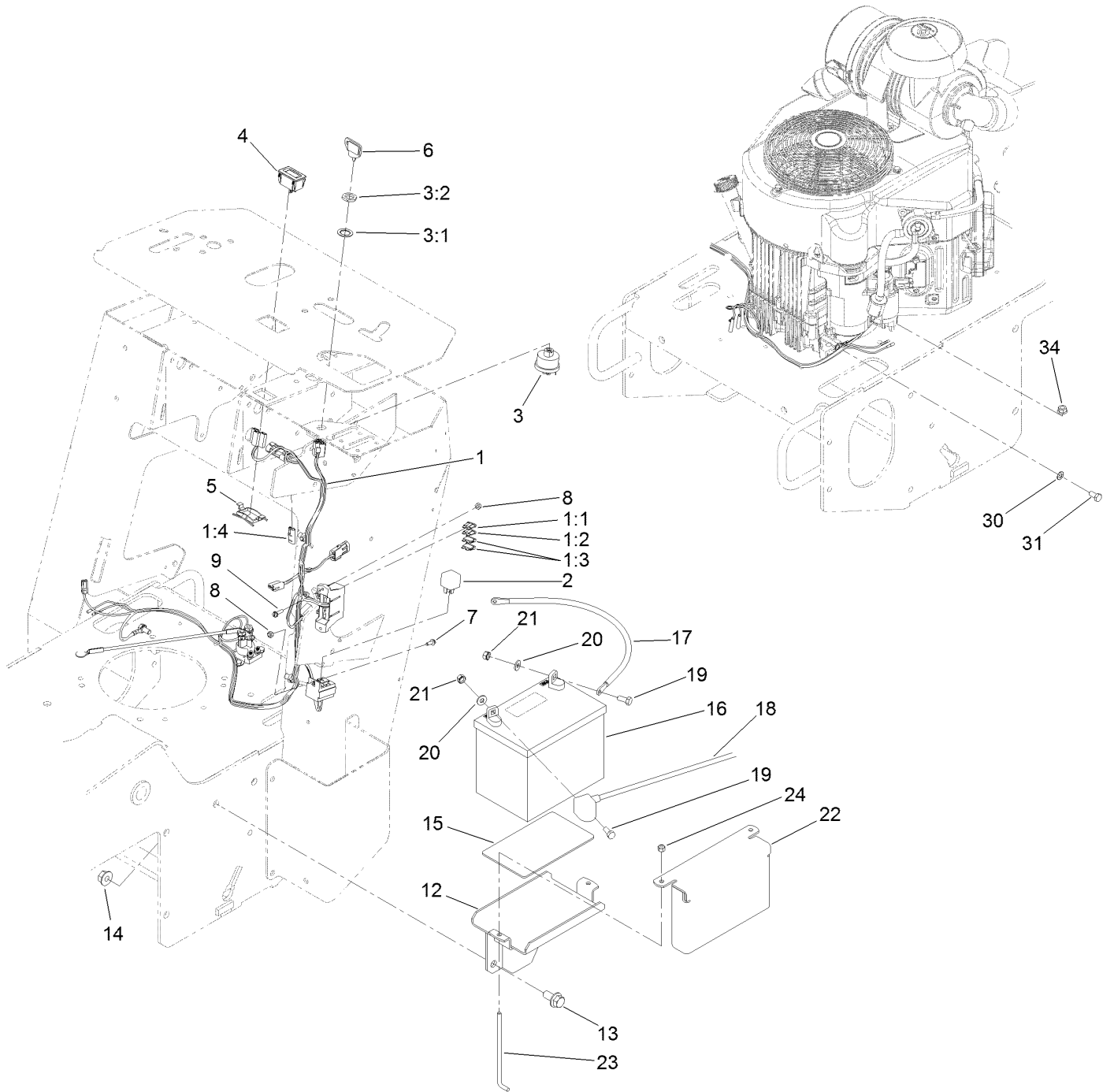
Traction Control Assembly



Traction Control Assembly (continued)

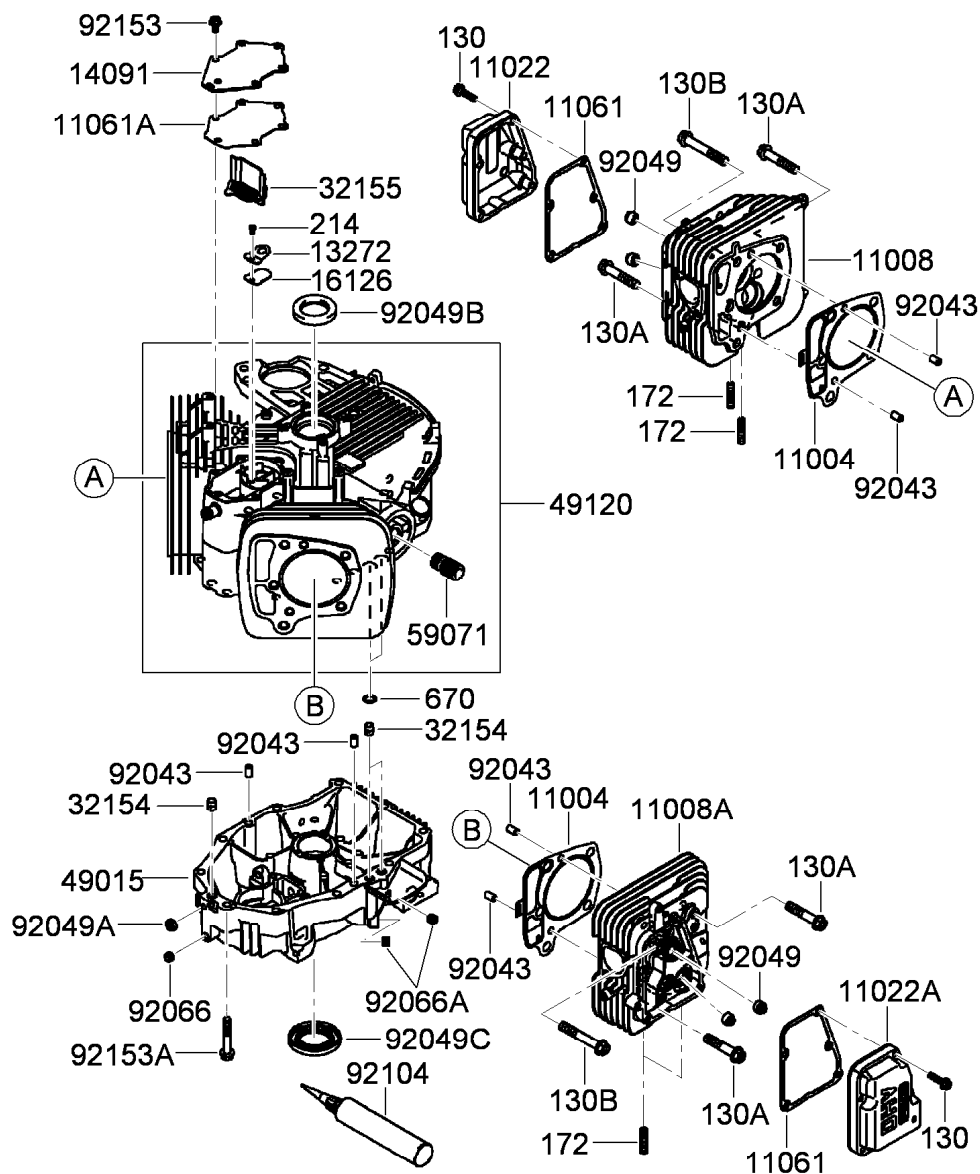
| <i>Ref.</i> | <i>Part Number</i> | <i>Qty.</i> | <i>Description</i> | <i>Ref.</i> | <i>Part Number</i> | <i>Qty.</i> | <i>Description</i> |
|-------------|--------------------|-------------|---------------------|-------------|--------------------|-------------|----------------------------|
| 1 | 27-2320 | 2 | Bearing | 28 | 108-0634 | 4 | Spacer-Plate, Retaining |
| 2 | 106-5737 | 1 | Control Support ASM | 29 | 103-1167 | 2 | Joint-Ball End, LH |
| 2:2 | 256-252 | 2 | Bearing-Flange | 30 | 3274-2 | 2 | Screw-HSH |
| 3 | 95-3703 | 2 | Washer-Spring, Wave | 31 | AU107344 | 2 | Screw-Jack, Control |
| 4 | 3256-39 | 2 | Washer-Flat | 32 | 3220-3 | 2 | Nut-HJ |
| 5 | 322-3 | 4 | Screw-HH | 33 | 115-6549 | 1 | Plate-Base, LH |
| 6 | 3296-29 | 6 | Nut-Lock, NI | 34 | 256-116 | 8 | Bushing-Flange |
| 7 | 117-6335 | 1 | Rod-Drive | 35 | 115-6637 | 1 | Pivot-LH |
| 8 | 257-8 | 1 | Washer-Thrust | 36 | 114-8629 | 4 | Bolt-Shoulder |
| 9 | 112-2783 | 1 | Lever-Pivot | 37 | 3296-47 | 10 | Nut-Lock, NI |
| 10 | 115-1204 | 1 | Plate-Neutral | 38 | 115-6628 | 1 | Plate-Arm, Return, LH |
| 11 | 321-4 | 1 | Screw-HH | 39 | 322-5 | 2 | Screw-HH |
| 12 | 3296-42 | 1 | Nut-Lock, NI | 40 | 3253-4 | 2 | Washer-Lock |
| 13 | 108-9743 | 3 | Washer-Plain | 41 | 251-259 | 2 | Bearing-Ball |
| 14 | 98-8407 | 1 | Lever-Return, RH | 42 | 115-1290 | 2 | Plate-Adapter, Control, RH |
| 15 | 98-8408 | 1 | Lever-Return, LH | 43 | 322-4 | 4 | Screw-HH |
| 16 | 32151-91 | 1 | Ring-Retaining | 44 | 117-6429 | 2 | Lock-Trunion |
| 17 | 63-2650 | 2 | Screw-Shoulder | 45 | 3256-3 | 2 | Washer-Flat |
| 18 | 108-4724 | 1 | Spring-Extension | 46 | 94-3559 | 2 | Screw-HSH |
| 19 | 323-8 | 1 | Screw-HH | 47 | 121-4409 | 2 | Spring-Extension |
| 20 | 3296-39 | 3 | Nut-Lock, NI | 48 | 115-6535 | 1 | Plate-Base, RH |
| 21 | 120-5380-03 | 1 | Handle-Control | 49 | 115-6636 | 1 | Pivot-RH |
| 22 | 3247-6 | 2 | Screw-Set | 50 | 115-6536 | 1 | Plate-Arm, Return |
| 23 | 3218-3 | 2 | Nut-Jam | 51 | 3290-456 | 2 | Washer-Belleville |
| 24 | 115-4020 | 1 | Decal-Traction | 52 | 3273-14 | 2 | Screw-HSH |
| 25 | 98-1459 | 1 | Decal | 53 | 131-0668 | 1 | Link-Steering, LH |
| 26 | 3234-18 | 1 | Screw-HHF | 54 | 131-0669 | 1 | Link-Steering, RH |
| 27 | 32128-43 | 1 | Nut-Flange | 55 | AU129-289 | 2 | Nut-Jam, LH |

Battery and Wire Harness Assembly



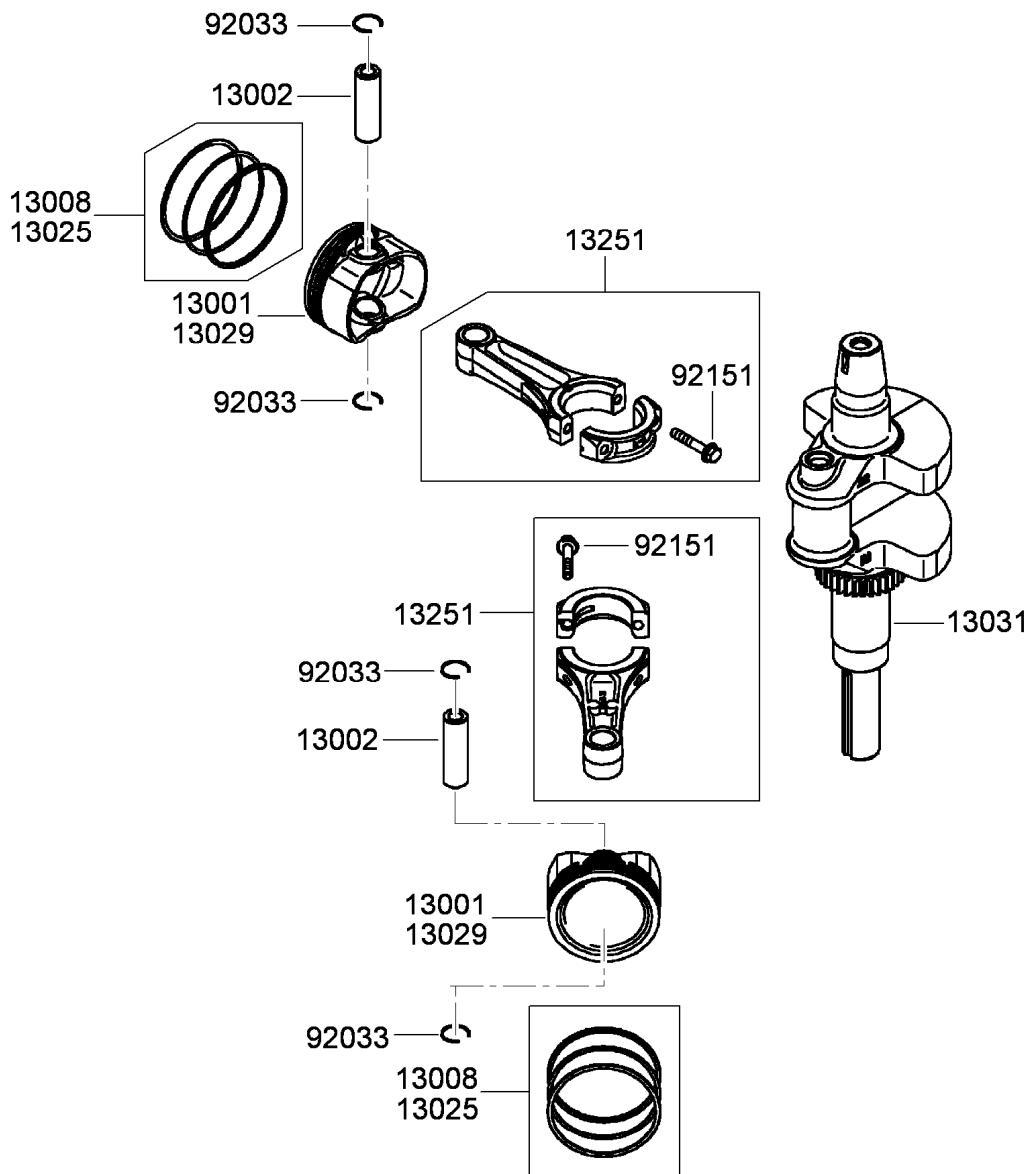
Battery and Wire Harness Assembly (continued)

| <i>Ref.</i> | <i>Part Number</i> | <i>Qty.</i> | <i>Description</i> | <i>Ref.</i> | <i>Part Number</i> | <i>Qty.</i> | <i>Description</i> |
|-------------|--------------------|-------------|--------------------|-------------|--------------------|-------------|--------------------------|
| 1 | 117-6338 | 1 | Harness-Wire | 13 | 3234-6 | 2 | Screw-HHF |
| 1:1 | 109103 | 1 | Fuse-Blade, 30 Amp | 14 | 32128-49 | 2 | Nut-HHF |
| 1:2 | 109102 | 1 | Fuse-Blade, 25 Amp | 15 | 62-4300 | 1 | Pad-Skid, Anti |
| 1:3 | 109101 | 1 | Fuse-Blade, 20 Amp | 16 | 104-8162 | 1 | Battery |
| 1:4 | 116-0053 | 1 | Cap-Plug | 17 | 106-8945 | 1 | Cable-Battery, Positive |
| 2 | 98-7249 | 1 | Relay | 18 | 117-6422 | 1 | Cable-Battery, Black |
| 3 | 88-9830 | 1 | Key Switch ASM | 19 | 322-3 | 2 | Screw-HH |
| 3:1 | 3254-5 | 1 | Washer-Lock | 20 | 3256-2 | 2 | Washer-Flat |
| 3:2 | 218-461 | 1 | Nut-HH | 21 | 32149-1 | 2 | Nut-Keps |
| 4 | 120-2244 | 1 | Hourmeter | 22 | 115-6621-03 | 1 | Plate-Hold Down, Battery |
| 5 | 104-4234 | 1 | Clip-Mounting | 23 | 104-8567 | 2 | Holdown-Battery |
| 6 | 63-8360 | 1 | Key-Ignition | 24 | 3296-42 | 2 | Nut-Lock, NI |
| 7 | 32105-23 | 1 | Screw | 30 | 3255-8 | 1 | Washer-Lock |
| 8 | 3296-2 | 2 | Nut-Lock, NI | 31 | 33114-016 | 1 | Screw-HH |
| 9 | 32105-13 | 1 | Screw-HWH | 34 | 33004-00 | 1 | Nut-HF |
| 12 | 105-3150-01 | 1 | Tray-Battery | | | | |



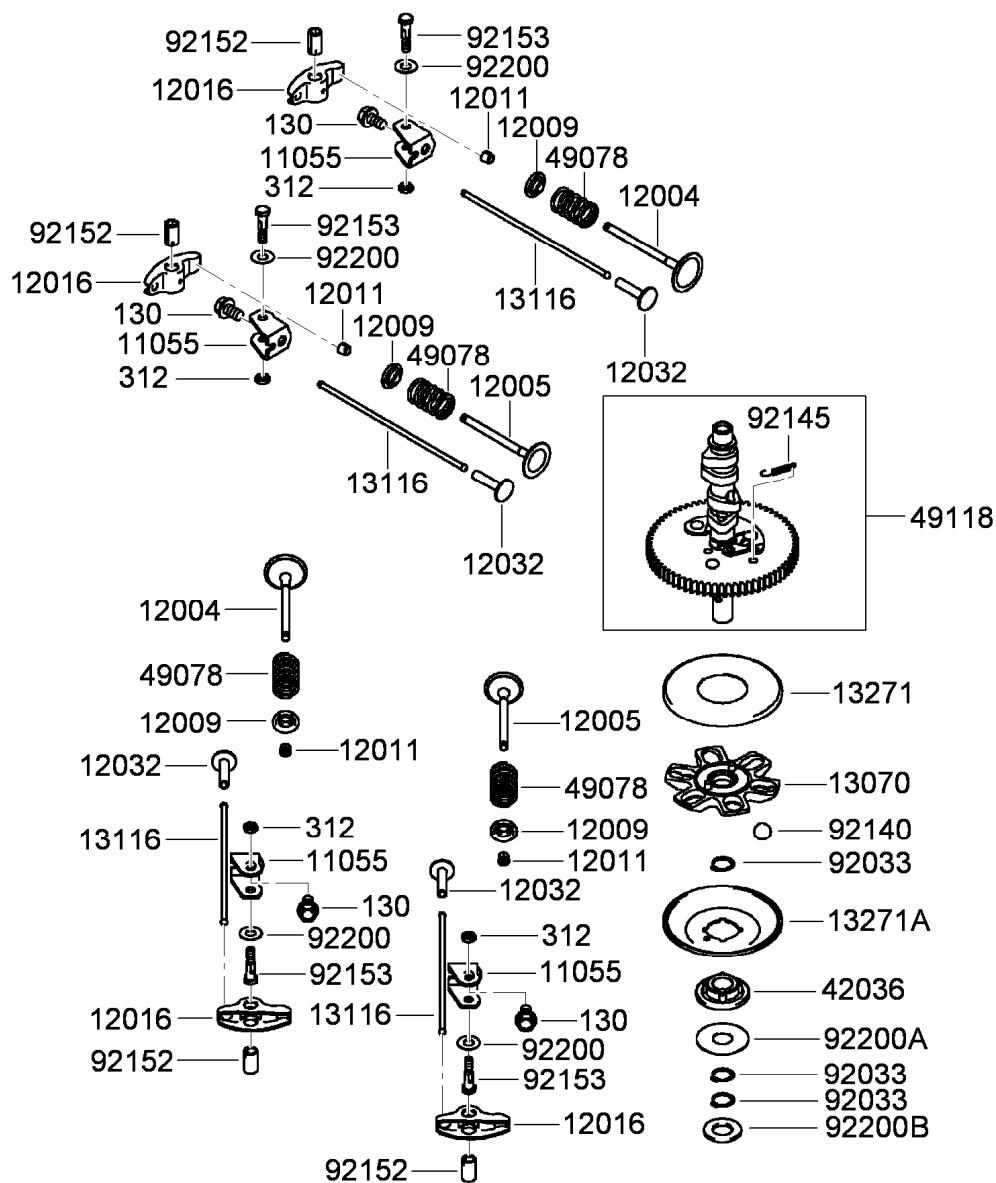
Cylinder and Crankcase Assembly

| Ref. | Part Number | Qty. | Description | Ref. | Part Number | Qty. | Description |
|--------|-------------|------|----------------------|--------|-------------|------|-----------------------------|
| 130 | 93-8548 | 10 | Bolt-Flanged (6X25) | 32154 | 119-5811 | 3 | Pipe |
| 130A | 119-5822 | 4 | Bolt-Flanged (10X50) | 32155 | 119-5812 | 1 | Pipe-Breather |
| 130B | 119-5823 | 6 | Bolt-Flanged (10X65) | 49015 | 119-5813 | 1 | Cover-Crankcase |
| 172 | 114-8658 | 4 | Bolt-Stud (8X18) | 49120 | 119-5814 | 1 | Crankcase ASM |
| 214 | 115-6422 | 1 | Screw-Pan (4X8) | 59071 | 95-9715 | 1 | Joint |
| 670 | 95-9771 | 2 | O-Ring (11Mm) | 92043 | KW10694 | 6 | Pin |
| 11004 | 119-5800 | 2 | Gasket-Head | 92049 | 114-8650 | 4 | Seal-Oil, Rv C2 (6X11X10.2) |
| 11008 | 119-5801 | 1 | Head-Cylinder (No.1) | 92049A | 119-5816 | 1 | Seal-Oil, So (8X14X5) Hs |
| 11008A | 119-5802 | 1 | Head-Cylinder (No.2) | 92049B | 119-5817 | 1 | Seal-Oil, Sd (35X48X8) R Hs |
| 11022 | 119-5803 | 1 | Case-Rocker (No.1) | 92049C | 119-5818 | 1 | Seal-Oil (38X62X8) Mtclv |
| 11022A | 119-5804 | 1 | Case-Rocker (No.2) | 92066 | 119-5819 | 1 | Plug |
| 11061 | 119-5805 | 2 | Gasket-Case, Rocker | 92066A | 119-5820 | 2 | Plug |
| 11061A | 119-5806 | 1 | Gasket-Breather | 92104 | 119-5821 | 1 | Gasket-Liquid (Tb1217H) |
| 13272 | 119-5808 | 1 | Plate-Breather | 92153 | 114-8655 | 6 | Bolt (6X12) |
| 14091 | 119-5809 | 1 | Cover-Breather | 92153A | 114-8656 | 10 | Bolt (8X50) |
| 16126 | 119-5810 | 1 | Valve-Breather | | | | |



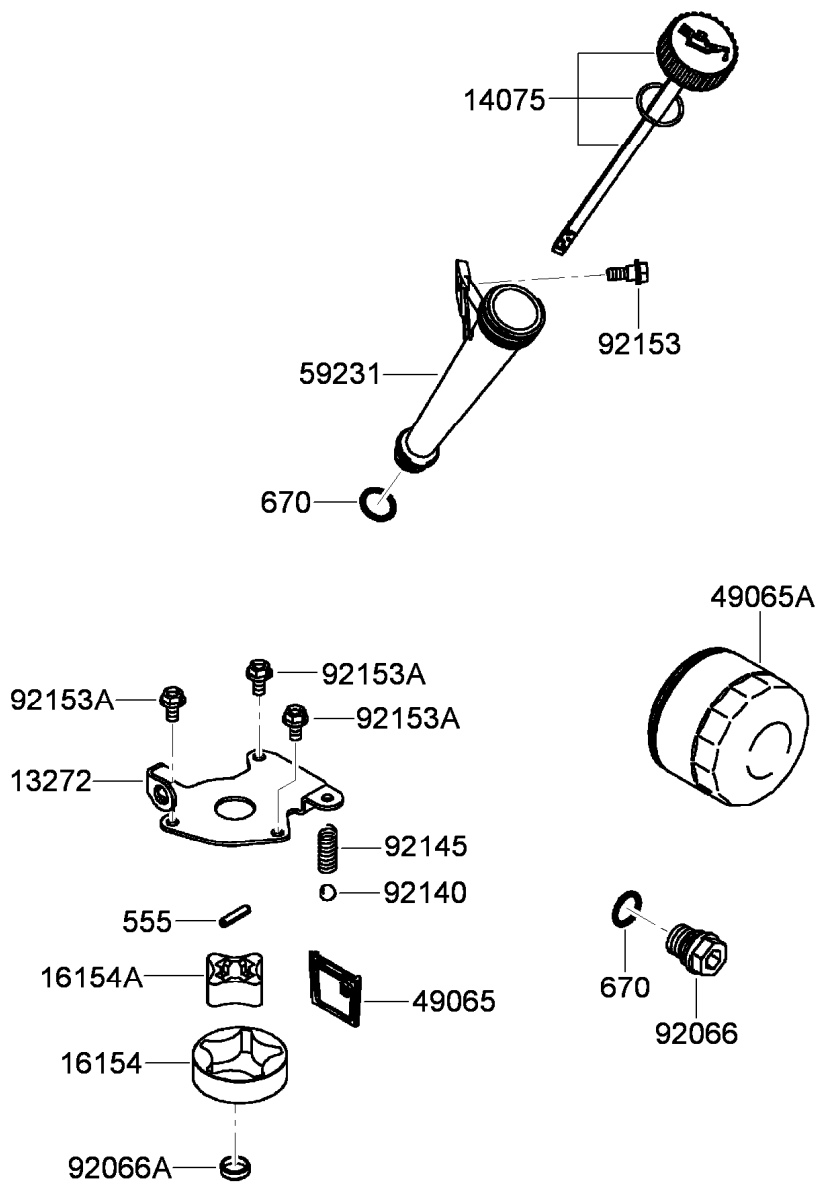
Piston and Crankshaft Assembly

| <i>Ref.</i> | <i>Part Number</i> | <i>Qty.</i> | <i>Description</i> |
|-------------|--------------------|-------------|--------------------------|
| 13001 | 119-5824 | 2 | Piston-Engine |
| 13002 | 119-5825 | 2 | Pin-Piston |
| 13008 | 119-5826 | 2 | Piston Ring Set |
| 13025 | 119-5827 | 1 | Piston Ring Set, L (0.5) |
| 13029 | 119-5828 | 1 | Piston-Engine, L (0.5) |
| 13031 | 119-5829 | 1 | Crankshaft ASM |
| 13251 | 119-5830 | 2 | Connecting Rod ASM |
| 92033 | 119-5831 | 4 | Ring-Snap |
| 92151 | 115-6565 | 4 | Bolt (6X35) |



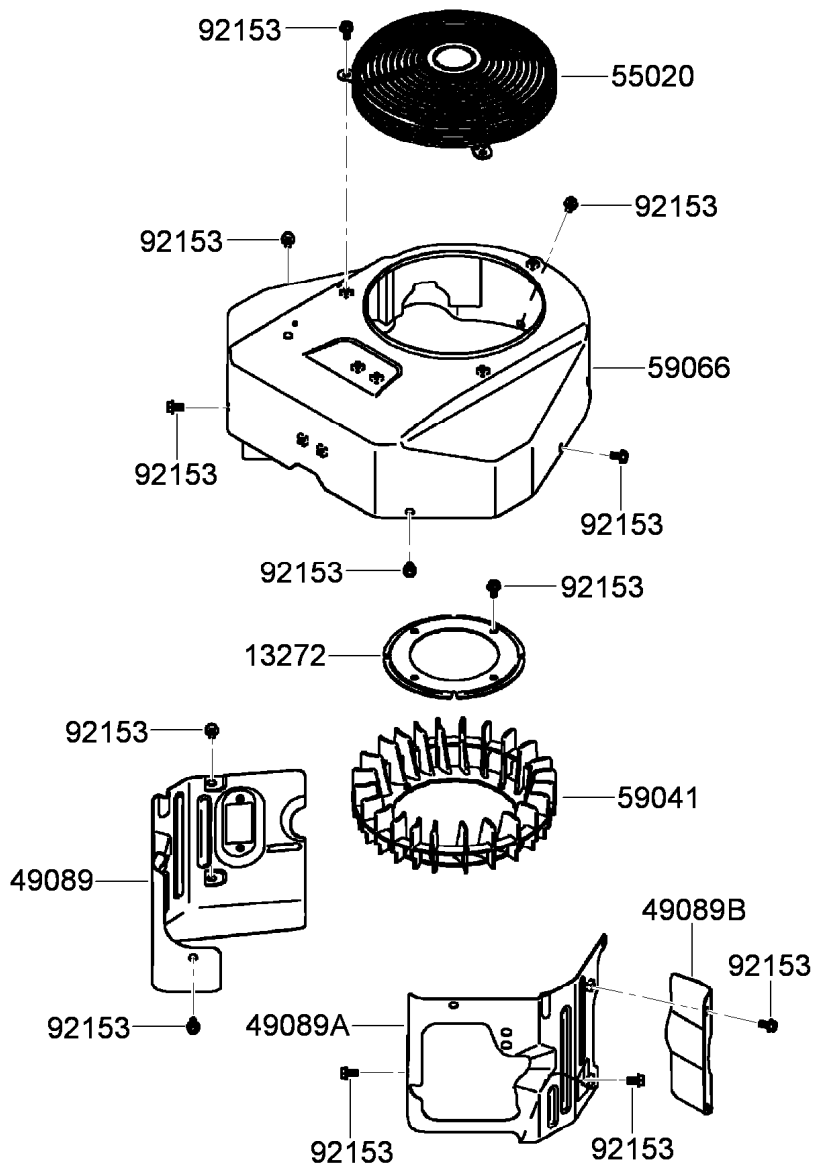
Valve and Camshaft Assembly

| Ref. | Part Number | Qty. | Description | Ref. | Part Number | Qty. | Description |
|-------|-------------|------|------------------------|--------|-------------|------|---------------------------|
| 130 | 119-5845 | 4 | Bolt-Flanged (8X14) | 13271A | 114-8672 | 1 | Plate-Governor |
| 312 | 119-5846 | 4 | Nut-Hex (6Mm) | 42036 | 114-8673 | 1 | Sleeve |
| 11055 | 119-5832 | 4 | Bracket | 49078 | 119-5838 | 4 | Spring-Valve, Engine (In) |
| 12004 | 119-5833 | 2 | Valve-Intake | 49118 | 119-5839 | 1 | Camshaft ASM |
| 12005 | 119-5834 | 2 | Valve-Exhaust | 92033 | 114-8675 | 3 | Ring-Snap |
| 12009 | 108-2525 | 4 | Retainer-Spring, Valve | 92140 | 114-8676 | 6 | Ball |
| 12011 | 95-9744 | 8 | Collet | 92145 | 114-8677 | 1 | Spring |
| 12016 | 119-5835 | 4 | Arm-Rocker | 92152 | 119-5840 | 4 | Collar |
| 12032 | 108-2527 | 4 | Tappet | 92153 | 119-5841 | 4 | Bolt (6X29.5) |
| 13070 | 119-5836 | 1 | Guide-Governor | 92200 | 119-5842 | 4 | Washer (8.1X18X0.5) |
| 13116 | 119-5837 | 4 | Rod-Push | 92200A | 119-5843 | 1 | Washer (16X42X0.91) |
| 13271 | 114-8671 | 1 | Plate | 92200B | 119-5844 | 1 | Washer (16.3X30X2.28) |



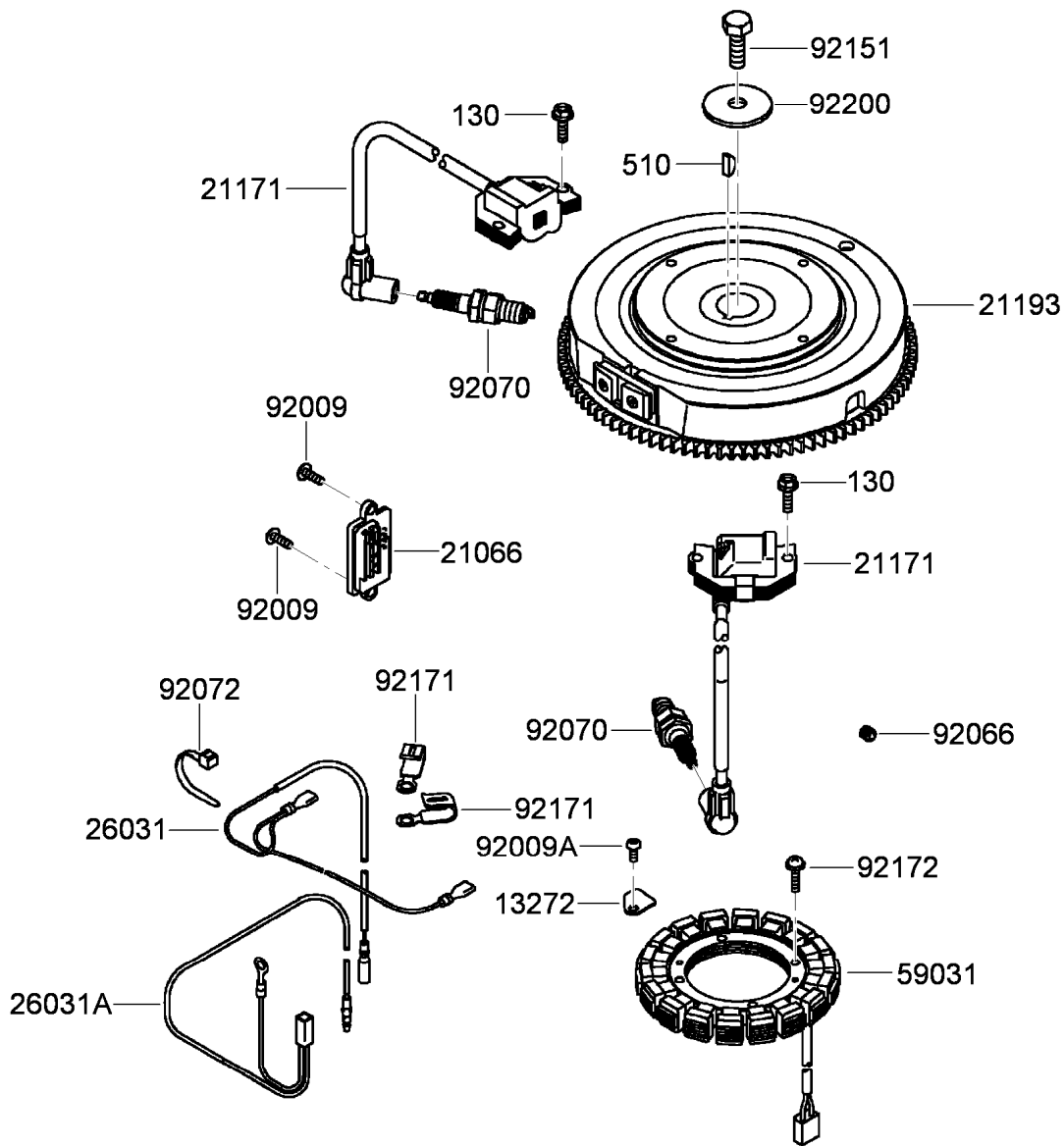
Lubrication Equipment Assembly

| Ref. | Part Number | Qty. | Description |
|--------|-------------|------|-------------------|
| 555 | 119-5859 | 1 | Pin-Spring (4X20) |
| 670 | 1-413506 | 2 | Discontinued |
| 13272 | 119-5847 | 1 | Plate-Rotor |
| 14075 | 119-5848 | 1 | Oil Gauge Cap ASM |
| 16154 | 119-5849 | 1 | Rotor-Pump, Outer |
| 16154A | 119-5850 | 1 | Rotor-Pump, Inner |
| 49065 | 119-5851 | 1 | Filter-Oil |
| 49065A | 119-5852 | 1 | Filter-Oil |
| 59231 | 119-5853 | 1 | Tube-Filler, Oil |
| 92066 | 119-5854 | 1 | Plug |
| 92066A | 119-5855 | 1 | Plug |
| 92140 | 119-5856 | 1 | Ball |
| 92145 | 119-5857 | 1 | Spring |
| 92153 | 119-5858 | 1 | Bolt |
| 92153A | 115-6419 | 3 | Bolt (6X12) |



Cooling Equipment Assembly

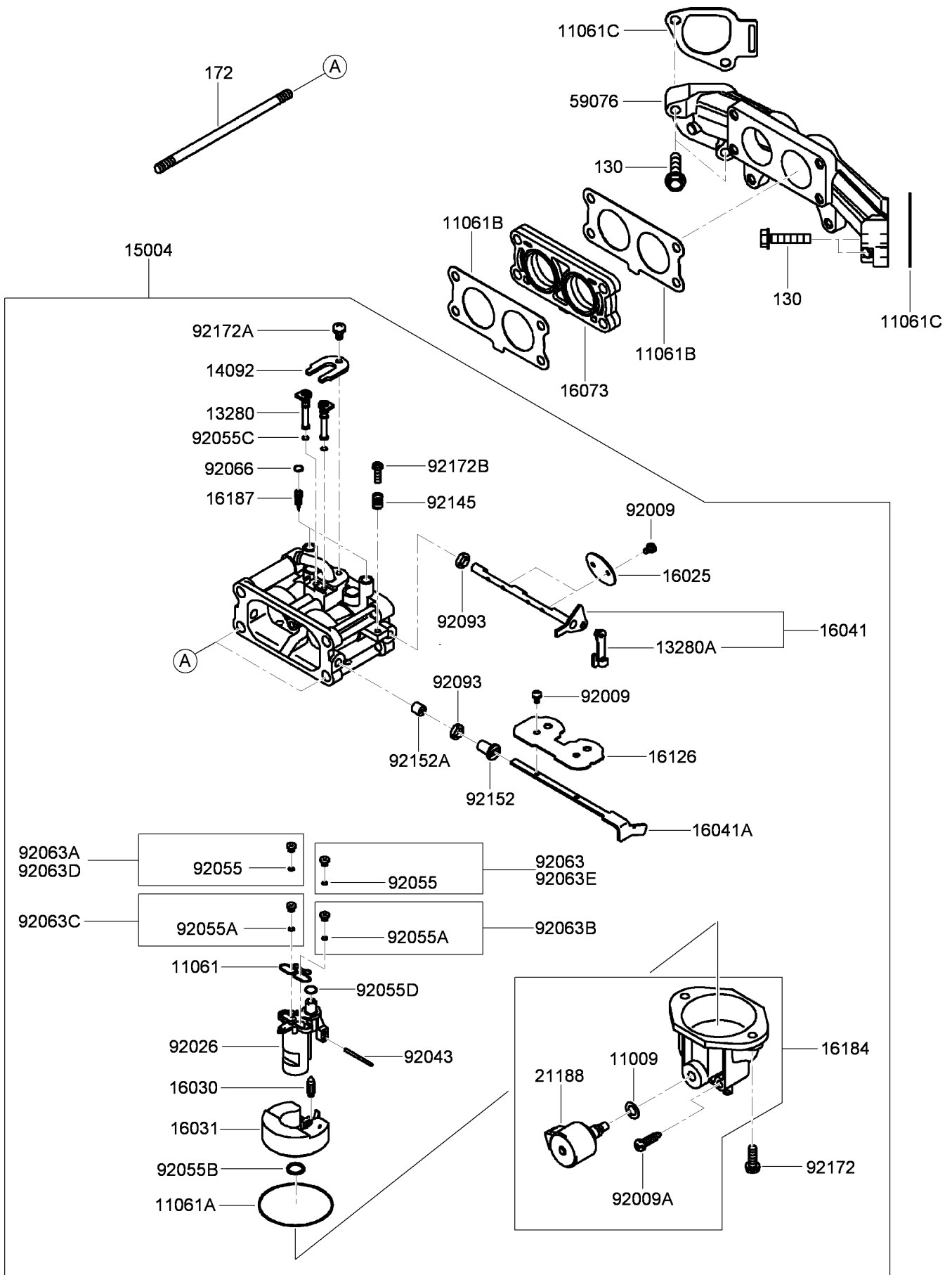
| <i>Ref.</i> | <i>Part Number</i> | <i>Qty.</i> | <i>Description</i> |
|-------------|--------------------|-------------|--------------------|
| 13272 | 119-5860 | 1 | Plate-Fan |
| 49089 | 119-5862 | 1 | Shroud-Engine |
| 49089A | 119-5863 | 1 | Shroud-Engine |
| 49089B | 119-5864 | 1 | Shroud-Engine |
| 55020 | 119-5865 | 1 | Guard |
| 59041 | 119-5867 | 1 | Fan |
| 59066 | 119-5868 | 1 | Housing-Fan |
| 92153 | 114-8655 | 18 | Bolt (6X12) |



Electric Equipment Assembly

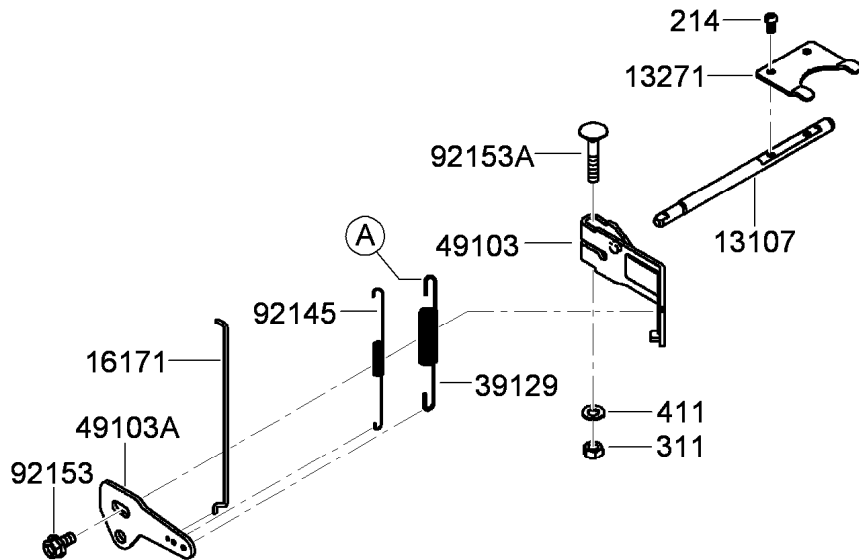
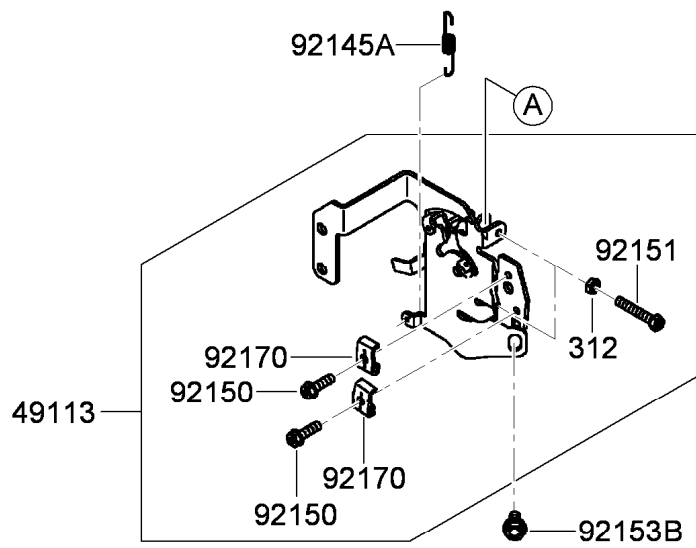
| <i>Ref.</i> | <i>Part Number</i> | <i>Qty.</i> | <i>Description</i> | <i>Ref.</i> | <i>Part Number</i> | <i>Qty.</i> | <i>Description</i> |
|-------------|--------------------|-------------|---------------------|-------------|--------------------|-------------|--------------------|
| 130 | 95-9893 | 4 | Bolt-Flanged (6X20) | 92009 | 119-5879 | 2 | Screw |
| 510 | KW10163 | 1 | Key-Woodruff | 92009A | 95-9716 | 1 | Screw |
| 13272 | 119-5870 | 1 | Plate | 92066 | 119-5820 | 1 | Plug |
| 21066 | 120-7356 | 1 | Regulator-Voltage | 92070 | 92-2153 | 2 | Plug-Spark |
| 21171 | 119-5872 | 2 | Ignition Coil ASM | 92072 | 115-6585 | 1 | Band |
| 21193 | 119-5874 | 1 | Flywheel ASM | 92151 | 115-6408 | 1 | Bolt (12X30) |
| 26031 | 119-5876 | 1 | Harness | 92171 | 115-8665 | 2 | Clamp |
| 26031A | 119-5877 | 1 | Harness | 92172 | 115-4030 | 4 | Screw (5X20) |
| 59031 | 120-7355 | 1 | Coil-Charging | 92200 | 115-4031 | 1 | Washer (12.2X46X3) |

Carburetor Assembly



Carburetor Assembly (continued)

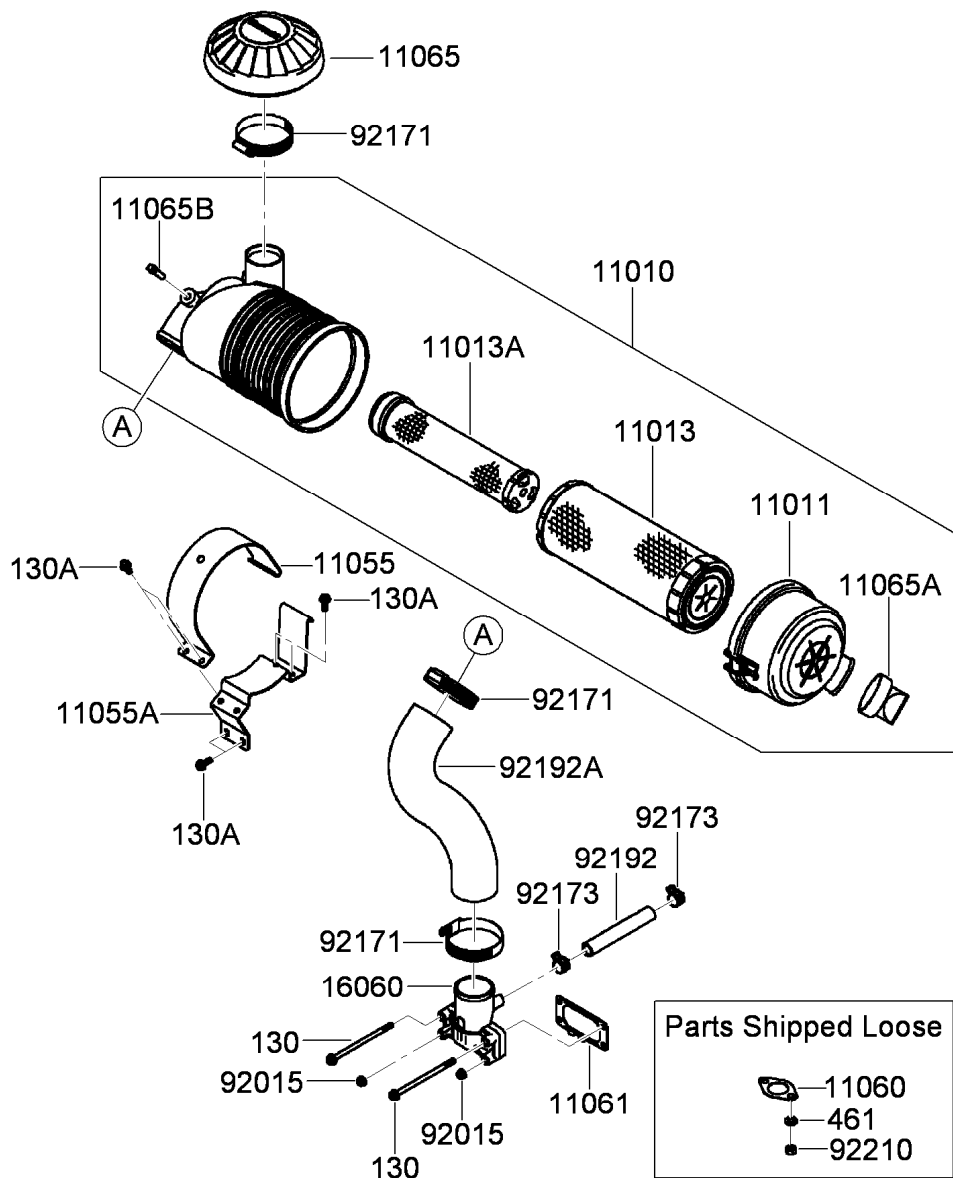
| <i>Ref.</i> | <i>Part Number</i> | <i>Qty.</i> | <i>Description</i> | <i>Ref.</i> | <i>Part Number</i> | <i>Qty.</i> | <i>Description</i> |
|-------------|--------------------|-------------|----------------------------------|-------------|--------------------|-------------|------------------------|
| 130 | 119-5940 | 4 | Bolt-Flanged (6X30) | 92009A | 119-5917 | 1 | Screw-Drain |
| 172 | 119-5941 | 2 | Bolt-Stud (6X115) | 92026 | 119-5918 | 1 | Spacer |
| 11009 | 119-5895 | 1 | Gasket | 92043 | 119-5919 | 1 | Pin-Float |
| 11061 | 119-5896 | 1 | Gasket | 92055 | 119-5920 | 1 | O-Ring |
| 11061A | 119-5897 | 1 | Gasket | 92055A | 119-5921 | 2 | O-Ring |
| 11061B | 119-5898 | 2 | Gasket-Carburetor/Manifold | 92055B | 132-8667 | 1 | O-Ring |
| 11061C | 119-5899 | 2 | Gasket-Manifold | 92055C | 119-5923 | 2 | O-Ring |
| 13280 | 119-5901 | 2 | Holder | 92055D | 119-5924 | 1 | O-Ring |
| 13280A | 119-5902 | 1 | Holder | 92063 | 119-5926 | 1 | Jet-Main (No. 108) |
| 14092 | 119-5903 | 1 | Cover | 92063A | 119-5927 | 1 | Jet-Main (No. 104) |
| 15004 | 119-5904 | 1 | Carburetor ASM | 92063B | 119-5928 | 1 | Jet-Main (No. 114) |
| 16025 | 119-5905 | 2 | Valve-Throttle | 92063C | 119-5929 | 1 | Jet-Main (No. 110) |
| 16030 | 119-5906 | 1 | Valve-Float | 92063D | 119-5930 | 1 | Jet-Main (No. 107) |
| 16031 | 119-5907 | 1 | Float | 92063E | 119-5931 | 1 | Jet-Main (No. 111) |
| 16041 | 119-5908 | 1 | Carburetor Throttle Shaft ASM | 92066 | 119-5932 | 2 | Plug-Expansion |
| 16041A | 119-5909 | 1 | Shaft-Choke, Carburetor | 92093 | 119-5933 | 2 | Seal (6.9) |
| 16073 | 119-5910 | 1 | Insulator | 92145 | 119-5934 | 1 | Spring |
| 16126 | 119-5911 | 1 | Valve | 92152 | 119-5935 | 1 | Collar |
| 16184 | 119-5912 | 1 | Float Chamber ASM | 92152A | 119-5936 | 1 | Collar |
| 16187 | 119-5913 | 2 | Needle-Jet | 92172 | 119-5937 | 2 | Screw (M5) |
| 21188 | 119-5914 | 1 | Solenoid | 92172A | 119-5938 | 1 | Screw (M4) |
| 59076 | 119-5915 | 1 | Manifold-Intake | 92172B | 119-5939 | 1 | Screw-Adjust, Throttle |
| 92009 | 119-5916 | 6 | Screw | | | | |



Control Equipment Assembly

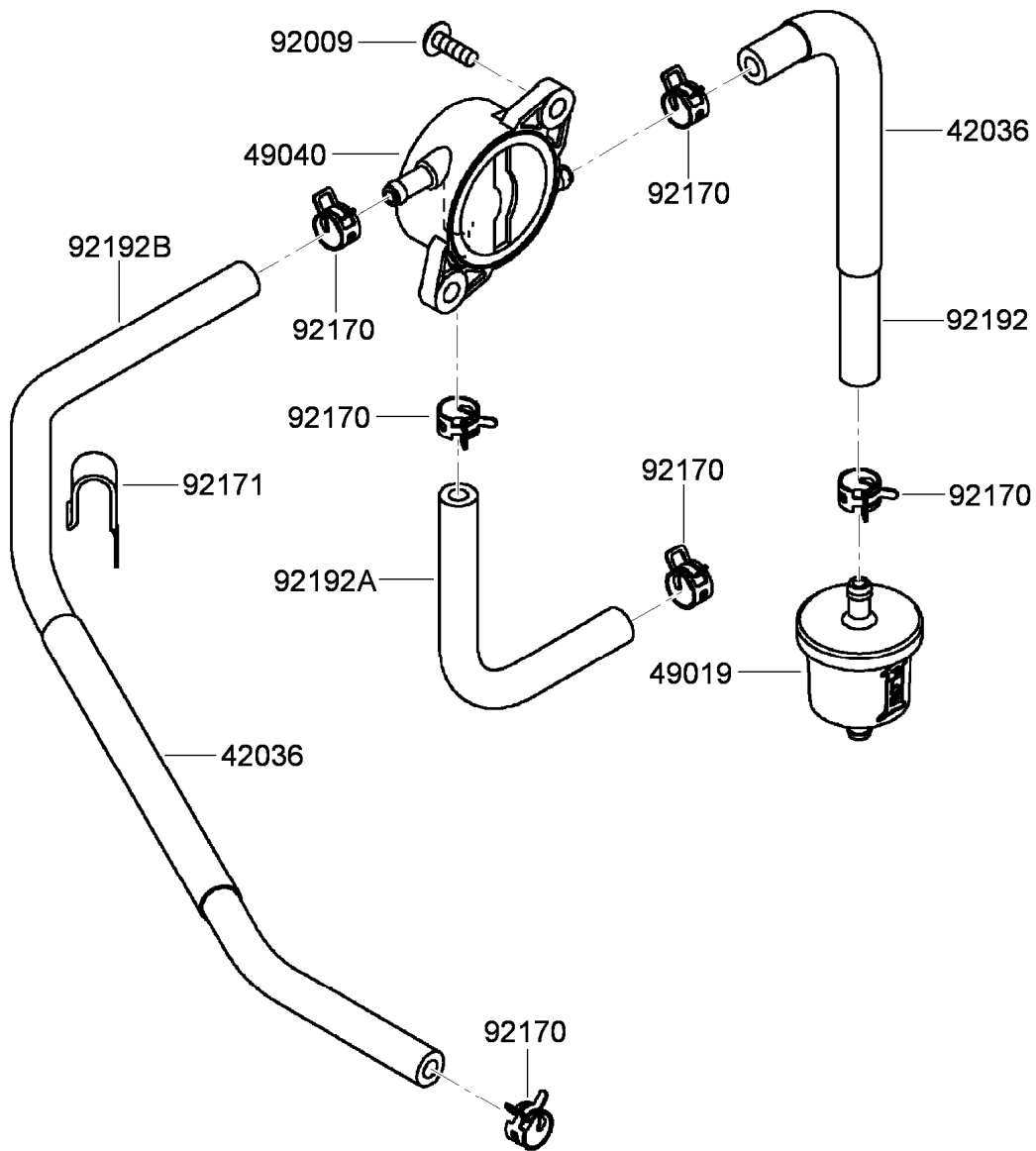
| <i>Ref.</i> | <i>Part Number</i> | <i>Qty.</i> | <i>Description</i> |
|-------------|--------------------|-------------|--------------------|
| 214 | 115-6422 | 2 | Screw-Pan (4X8) |
| 311 | 114-8698 | 1 | Nut-Hex (6Mm) |
| 312 | 119-5894 | 2 | Nut-Hex (5Mm) |
| 411 | 115-6423 | 1 | Washer-Plain (6Mm) |
| 13107 | 119-5882 | 1 | Shaft-Governor |
| 13271 | 119-5883 | 1 | Plate |
| 16171 | 119-5884 | 1 | Link |
| 39129 | 119-5885 | 1 | Spring-Governor |
| 49103 | 119-5886 | 1 | Arm-Governor |
| 49103A | 119-5887 | 1 | Arm-Governor |

| <i>Ref.</i> | <i>Part Number</i> | <i>Qty.</i> | <i>Description</i> |
|-------------|--------------------|-------------|--------------------|
| 49113 | 119-5888 | 1 | Control Panel ASM |
| 92145 | 119-5889 | 1 | Spring |
| 92145A | 119-5890 | 1 | Spring |
| 92150 | 95-9853 | 2 | Bolt (5X18) |
| 92151 | 119-5891 | 2 | Bolt (5X30) |
| 92153 | 119-5892 | 1 | Bolt (6X12) |
| 92153A | 115-6420 | 1 | Bolt (6X35) |
| 92153B | 119-5892 | 1 | Bolt (6X12) |
| 92170 | 115-6421 | 2 | Clamp |



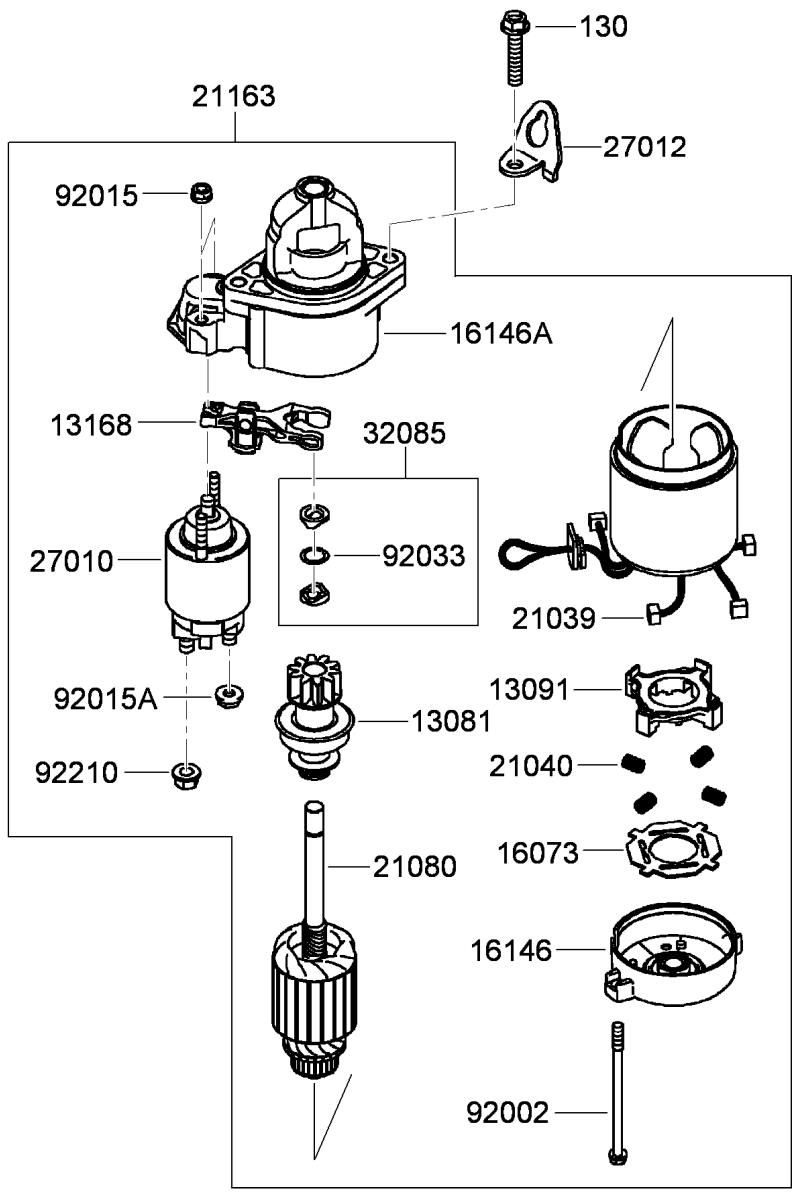
Air Filter and Muffler Assembly

| <i>Ref.</i> | <i>Part Number</i> | <i>Qty.</i> | <i>Description</i> | <i>Ref.</i> | <i>Part Number</i> | <i>Qty.</i> | <i>Description</i> |
|-------------|--------------------|-------------|-----------------------------|-------------|--------------------|-------------|----------------------|
| 130 | 119-5960 | 2 | Bolt-Flanged (6X110) | 11065 | 119-5950 | 1 | Cap |
| 130A | 119-5961 | 6 | Bolt-Flanged (6X16) | 11065A | 119-5951 | 1 | Cap |
| 461 | 119-5962 | 4 | Washer-Spring (8Mm) | 11065B | 119-5952 | 1 | Cap |
| 11010 | 119-5942 | 1 | Air Filter ASM | 16060 | 119-5953 | 1 | Pipe-Intake |
| 11011 | 119-5943 | 1 | Case-Filter, Air | 92015 | 119-5954 | 2 | Nut |
| 11013 | 119-5944 | 1 | Element-Filter, Air (Outer) | 92171 | 119-5955 | 3 | Clamp |
| 11013A | 119-5945 | 1 | Element-Filter, Air (Inner) | 92173 | 119-5956 | 2 | Clamp |
| 11055 | 119-5946 | 1 | Bracket | 92192 | 119-5957 | 1 | Tube (12.6X18.6X118) |
| 11055A | 119-5947 | 1 | Bracket | 92192A | 119-5958 | 1 | Tube |
| 11060 | 119-5948 | 2 | Gasket-Muffler | 92210 | 119-5959 | 4 | Nut (M8) |
| 11061 | 119-5949 | 1 | Gasket | | | | |



Fuel Tank and Valve Assembly

| Ref. | Part Number | Qty. | Description |
|--------|-------------|------|----------------------|
| 42036 | 119-5963 | 2 | Sleeve |
| 49019 | 121-4570 | 1 | Filter-Fuel |
| 49040 | 119-5965 | 1 | Pump-Fuel |
| 92009 | 119-5879 | 2 | Screw |
| 92170 | 119-5967 | 6 | Clamp |
| 92171 | 119-5968 | 1 | Clamp |
| 92192 | 119-5969 | 1 | Tube (6.35X12.7X185) |
| 92192A | 119-5970 | 1 | Tube (6.4X12.7X150) |
| 92192B | 119-5971 | 1 | Tube (6.35X12.7X390) |

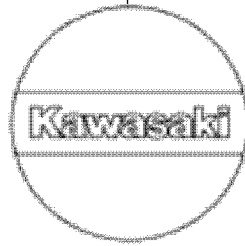


Starter Assembly

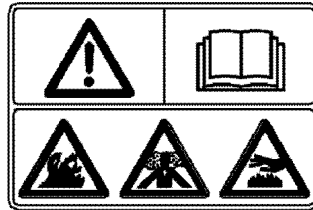
| Ref. | Part Number | Qty. | Description |
|--------|-------------|------|---------------------|
| 130 | 119-5991 | 2 | Bolt-Flanged (8X40) |
| 13081 | 119-5972 | 1 | Clutch ASM |
| 13091 | 119-5973 | 1 | Holder-Brush |
| 13168 | 119-5974 | 1 | Lever-Shift |
| 16073 | 119-5975 | 1 | Insulator |
| 16146 | 119-5976 | 1 | Cover ASM |
| 16146A | 119-5977 | 1 | Cover ASM |
| 21039 | 119-5978 | 4 | Brush |
| 21040 | 119-5979 | 4 | Spring-Brush |
| 21080 | 119-5980 | 1 | Armature |

| Ref. | Part Number | Qty. | Description |
|--------|-------------|------|------------------|
| 21163 | 119-5981 | 1 | Starter-Electric |
| 27010 | 119-5982 | 1 | Switch |
| 27012 | 119-5983 | 1 | Hook |
| 32085 | 119-5985 | 1 | Stopper |
| 92002 | 119-5986 | 2 | Bolt |
| 92015 | 119-5987 | 2 | Nut |
| 92015A | 119-5988 | 1 | Nut |
| 92033 | 119-5989 | 1 | Ring-Snap |
| 92210 | 119-5990 | 1 | Nut |

56014



56070



Label Set

| <i>Ref.</i> | <i>Part Number</i> | <i>Qty.</i> | <i>Description</i> |
|-------------|--------------------|-------------|--------------------|
| 56014 | 119-5992 | 1 | Emblem |
| 56070 | 115-6469 | 1 | Label-Warning |

Attachments and Accessories

For 22974 TRX-26 Trencher

| Product Name | Model/Part |
|--|-------------------|
| 8in Chain Conversion Kit for 36in Soil Chain | 117-3480 |
| Crumber Kit | 22477 |
| 24in X 4in Soil Chain | 22480 |
| 24in X 4in Combination Chain | 22481 |
| 24in X 4in Rock Tooth Chain | 22482 |
| 24in X 6in Soil Chain | 22483 |
| 24in X 6in Combination Chain | 22484 |
| 24in X 6in Rock Tooth Chain | 22485 |
| 36in X 4in Soil Chain | 22486 |
| 36in X 4in Combination Chain | 22487 |
| 36in X 4in Rock Tooth Chain | 22488 |
| 36in X 6in Rock Tooth Chain | 22489 |
| 36in X 6in Soil Chain | 22490 |
| 36in X 6in Combination Chain | 22491 |
| 48in x 4in Soil Chain | 22492 |
| 48in x 4in Combination Chain | 22493 |
| 48in x 6in Soil Chain | 22494 |
| 48in x 6in Combination Chain | 22495 |
| 24in X 4in Bullet Chain | 22496 |
| 24in X 6in Bullet Chain | 22497 |
| 36in X 4in Bullet Chain | 22498 |
| 36in X 6in Bullet Chain | 22499 |
| 24in Trencher Boom | 22975 |
| 36in Trencher Boom | 22976 |
| 48in Trencher Boom | 22977 |
| Bore Drive Attachment | 22978 |
| Backfill Blade | 22980 |
| Spark Arrestor Screen | 94-8157 |

Notes:

Notes:



Count on it.