



Reelmaster[®] 5400D 2WD and 4WD Traction Unit

Model No. 03543—210000001 and Up

Model No. 03544—210000001 and Up

Parts Catalog

Ordering Replacement Parts

To order replacement parts, please supply: the part number, the quantity, and the description of each part desired.

Understanding Reference Numbers

Each identified part in an illustration has a reference number. The reference number for a part also appears in the parts list, along with other information about the part.

This catalog uses two special reference number formats, one to indicate parts in a service assembly and another to indicate the quantity of a given part in an illustration.

Service Assembly Reference Numbers

Parts in service assemblies have reference numbers in the form **a:b**. The **a** represents the reference number of the entire service assembly and the **b** represents a sequential number unique to each part within the service assembly.

For example, a wheel assembly might be identified by reference number **6**, the tire by **6:1**, the valve by **6:2**, and the wheel by **6:3**. When you order the assembly identified by reference number **6**, you receive all parts identified by reference numbers **6:1**, **6:2**, and **6:3**. However, you may also order any part individually.

Reference numbers of this type appear in illustrations and in part lists.

Reference Numbers Indicating Quantity

In an illustration, if a reference number indicates more than one part, the reference number has the form **nX y**. The **n** represents the quantity of the part, the **X** is the multiplication symbol, and the **y** represents the reference number.

For example, in an illustration, the reference number **2X 37** means that two of the parts identified by reference number **37** are indicated.

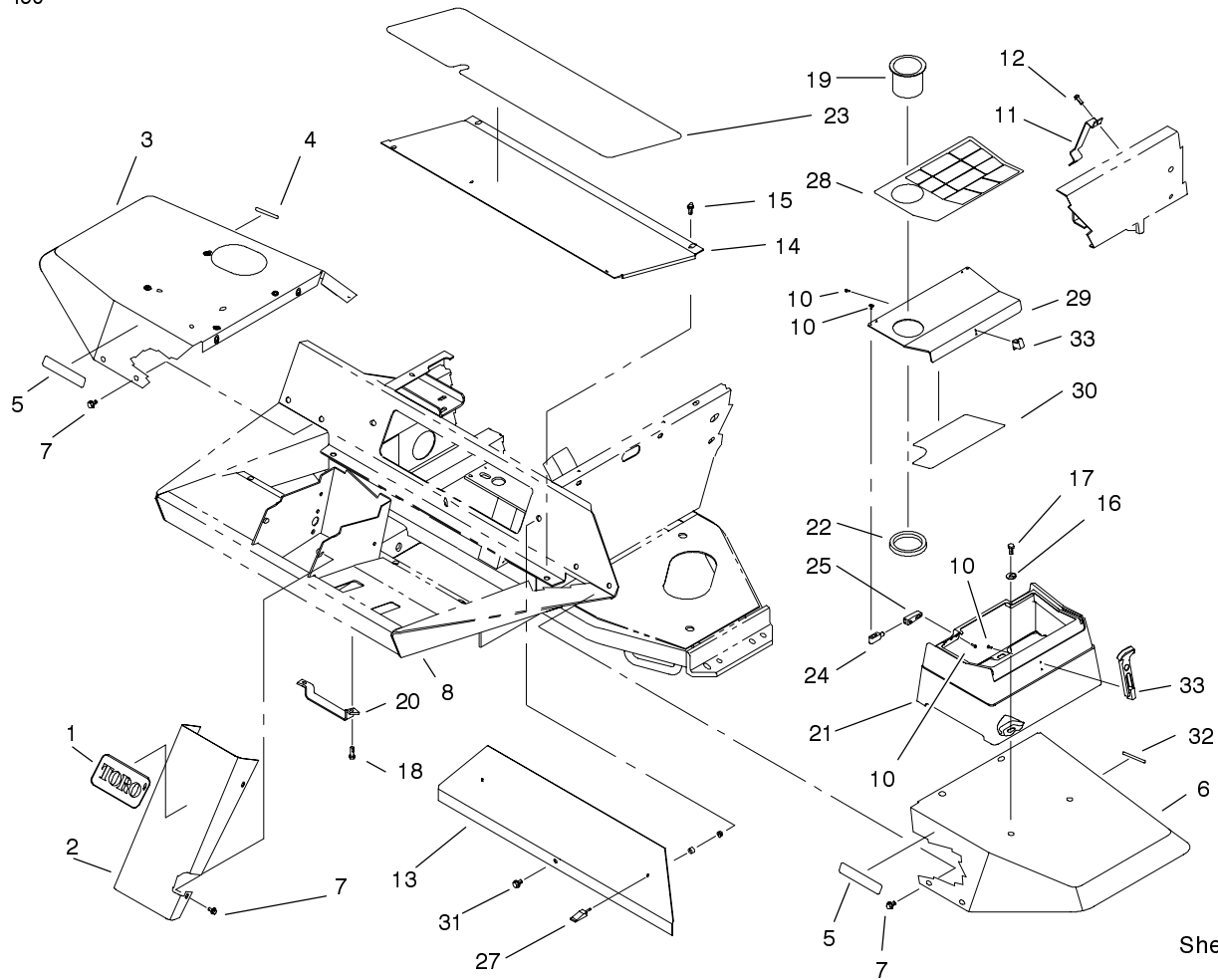
Contents

| Description | Page | Description | Page |
|--|------|---|------|
| Frame and Body Assembly | 4 | Roll-Over-Protection-System and Stabilizer Assembly | 57 |
| Frame Assembly No. 100-3870 | 5 | Axle Assembly No. 99-6981-03 | 58 |
| Steering Tower Assembly | 6 | Brake Assembly | 60 |
| Power Steering Unit No. 75-0600 | 7 | Rear Axle Assembly No. 98-3925 Bevel Pinion Shaft Assembly | 61 |
| Traction and Brake Pedals Assembly | 8 | Rear Axle Assembly No. 98-3925 (Continued) Differential Assembly No. 95-7503 | 62 |
| Seat Frame and Throttle Assembly | 9 | Rear Axle Assembly No. 98-3925 (Continued) Axle Support Assembly | 63 |
| Seat and Suspension Assembly | 10 | Rear Axle Assembly No. 98-3925 (Continued) Bevel Gear Case Assembly | 64 |
| Seat Suspension Assembly No. 75-3000 | 11 | Rear Axle Assembly No. 98-3925 (Continued) Bevel Gear Shaft Assembly | 65 |
| Control Console Assembly | 12 | Rear Axle Assembly No. 98-3925 (Continued) Axle Case Assembly | 66 |
| Diagnostic-ACE Display Assembly | 13 | Rear Axle Assembly No. 98-3925 (Continued) Axle Case Assembly | 67 |
| Hydraulic Filter and Reservoir Assembly | 14 | Hydraulic Schematic | 68 |
| Fuel Tank Assembly | 16 | Electrical Schematic | 69 |
| Fuel Filter Assembly No. 99-8351 | 17 | Electrical Schematic - Turfdefender | 70 |
| Front Axle Assembly | 18 | Crankcase Assembly | 71 |
| Transmission Assembly | 19 | Oil Pan Assembly | 72 |
| Transmission Assembly No. 75-0012 | 20 | Cylinder Head Assembly | 73 |
| Traction Control Assembly | 22 | Gear Case and Oil Filter Assembly | 74 |
| Gear Pump Installation Assembly | 23 | Filter, Oil Cooler & Pipe Assembly | 75 |
| Gear Pump Assembly No. 98-9796 | 24 | Head Cover Assembly | 76 |
| Engine Installation Assembly | 25 | Dipstick Assembly | 77 |
| Muffler and Pump Drive Assembly | 26 | Main Bearing Case Assembly | 78 |
| Engine Components Assembly | 27 | Camshaft Assembly | 79 |
| Air Cleaner Assembly No. 98-4517 | 28 | Piston and Crankshaft Assembly | 80 |
| Water/Fuel Separator Assembly No. 98-9305 | 29 | Flywheel Assembly | 82 |
| Fan Drive Assembly | 30 | Fuel Camshaft Assembly | 83 |
| Radiator Assembly | 31 | Engine Stop Lever Assembly | 84 |
| Oil Cooler/Radiator Assembly | 32 | Stop Solenoid and Fuel Pump Assembly | 85 |
| Hood Assembly | 33 | Injection Pump Assembly | 86 |
| Hydraulic Control Block and Hoses Assembly | 34 | Injection Pump Assembly No. 98-9643 | 87 |
| Hydraulic Manifold Assembly No. 98-4579 | 35 | Governor Assembly | 88 |
| Front Hydraulic Manifold Assembly | 36 | Speed Control Plate Assembly | 89 |
| Rear Hydraulic Manifold Assembly | 37 | Nozzle Holder and Glow Plug Assembly | 90 |
| Reel Motors Assembly | 38 | Nozzle Holder Assembly 98-9468 | 91 |
| Reel Motor Assembly No. 93-1375 | 39 | Alternator and Pulley Assembly | 92 |
| Front Lift Circuit Assembly | 40 | Alternator Assembly No. 98-9474 | 93 |
| Hydraulic Cylinder No. 93-9310 | 41 | Starter Mount Assembly | 94 |
| Hydraulic Cylinder Assembly No. 99-6986 | 42 | Starter Assembly No. 98-9705 | 95 |
| Front Lift Arm Assembly | 43 | Water Flange and Thermostat Assembly | 96 |
| Rear Lift Circuit Assembly | 44 | Water Pump Assembly | 97 |
| Hydraulic Cylinder No. 93-9311 | 45 | Valve and Rocker Arm Assembly | 98 |
| Rear Lift Arm Assembly | 46 | Exhaust Manifold and Gasket Assembly | 99 |
| Rear Axle Support Assembly | 47 | Turbo Charger Assembly | 100 |
| 2WD Axle Assembly | 48 | Special Tools | 101 |
| Rear Axle Assembly | 49 | | |
| Hydraulic Cylinder No. 75-1200 | 50 | | |
| 4WD Rear Axle Assembly | 51 | | |
| Hydraulic Cylinder Assembly No. 98-8163 | 53 | | |
| 4 WD Shaft Assembly | 54 | | |
| 4 WD Shaft Assembly (Continued) | 55 | | |
| Clutch Housing Assembly | 56 | | |

Part Description Abbreviations

Part descriptions in this catalog may include the following abbreviations.

| Abbreviation | Meaning | Abbreviation | Meaning |
|---------------------|-----------------------------------|---------------------|-------------------------|
| AR | as required | HYD | hydraulic |
| ASM | assembly | INC | incorporated |
| CARR | carriage | LH | left hand |
| DEG | degrees | NI | nylon insert |
| FH | flat head | PPH | Phillips pan head |
| GA | gauge | PTH | Phillips truss head |
| HF | hex flange | PTO | power take off |
| HH | hex head | RH | right hand |
| HHF | hex head flange | SFH | slotted fillister head |
| HLH | hex lag head | SHH | slotted hex head |
| HJ | hex jam | SQH | square head |
| HOC | height-of-cut | SHWH | slotted hex washer head |
| HS | hex socket | SPH | slotted pan head |
| HSBH | hex socket button head | SRH | slotted round head |
| HSFH | hex socket flat head | STD | standard |
| HSH | hex socket head | TAP | self tapping |
| HWH | hex washer head | TTH | Torx truss head |
| HWHTF | hex washer head thread forming | WH | wing head |

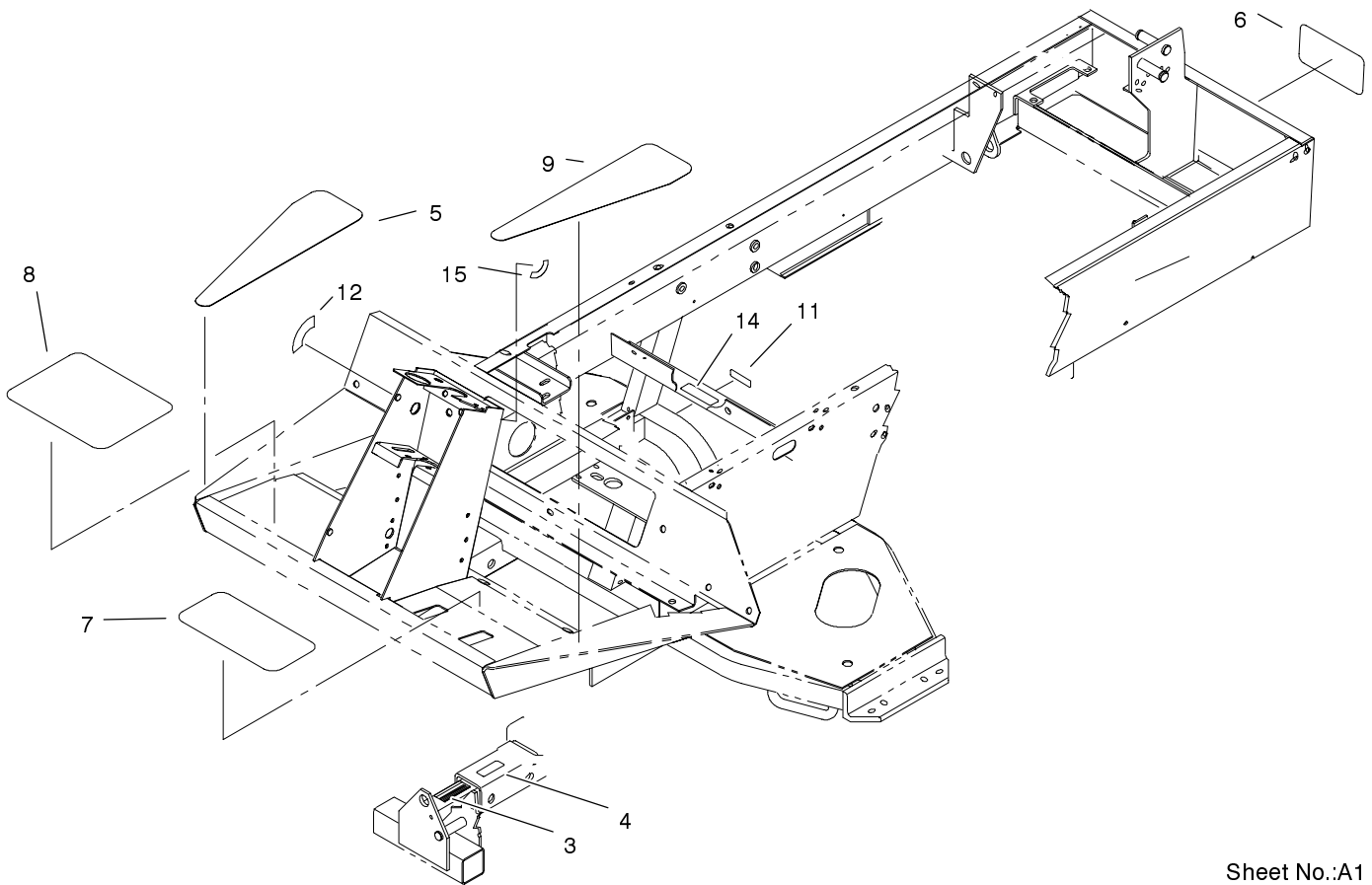


Sheet No.:2

Frame and Body Assembly

| Ref. No. | Part No. | Qty. | Description |
|----------|------------|------|----------------------|
| 1 | 62-5550 | 1 | Decal-Toro |
| 2 | 93-7996-01 | 1 | Cover - Tower |
| 3 | 93-7579 | 1 | Fender-RH |
| 4 | 93-6686 | 1 | Decal-Oil, Hydraulic |
| 5 | 93-6689 | 2 | Decal - No Riders |
| 6 | 75-3860 | 1 | Fender-LH |
| 7 | 3234-14 | 14 | Screw-HHF |
| 8 | 100-3870 | 1 | Frame Assembly |
| 10 | 104-9316 | 11 | Screw-TAP, PPH |
| 11 | 98-4572 | 1 | Bracket-Clamp, Hose |
| 12 | 32144-14 | 2 | Screw-HWH |
| 13 | 75-1390-01 | 1 | Cover-Access, Front |
| 14 | 75-1410-01 | 1 | Plate-Access, Floor |
| 15 | 75-6840 | 4 | Knob - Knurled |
| 16 | 3256-3 | 4 | Washer-Flat |
| 17 | 322-3 | 4 | Screw-HH |
| 18 | 322-4 | 2 | Screw-HH |
| 19 | 94-1410 | 1 | Holder-Can, Beverage |
| 20 | 93-3626 | 1 | Bracket - Hose |
| 21 | 104-0026 | 1 | Toolbox |
| 22 | 104-1476 | 1 | Ring-Rubber |
| 23 | 75-0630 | 1 | Tread-Foot, Center |
| 24 | 104-1496 | 2 | Hinge - Pin |
| 25 | 104-1497 | 2 | Hinge - Receiver |
| 27 | 74-5950 | 2 | Latch-Swell |
| 28 | 104-9295 | 1 | Decal-Warning, Ce |

| Ref. No. | Part No. | Qty. | Description |
|----------|-------------|------|--------------------------|
| 28 | 104-9294 | 1 | Decal-Warning |
| 29 | 104-1489-03 | 1 | Cover-Toolbox |
| 30 | 104-9290 | 1 | Decal-Service, Norwegian |
| 30 | 104-9288 | 1 | Decal-Service, Italian |
| 30 | 104-9289 | 1 | Decal-Service, Japanese |
| 30 | 104-9283 | 1 | Decal-Service, Danish |
| 30 | 104-9282 | 1 | Decal-Service |
| 30 | 104-1434 | 1 | Decal-Service Blank |
| 30 | 104-9293 | 1 | Decal-Service, Swedish |
| 30 | 104-9285 | 1 | Decal-Service, Finnish |
| 30 | 104-9284 | 1 | Decal-Service, Dutch |
| 30 | 104-9291 | 1 | Decal-Service, Portugese |
| 30 | 104-9292 | 1 | Decal-Service, Spanish |
| 30 | 104-9287 | 1 | Decal-Service, German |
| 30 | 104-9286 | 1 | Decal-Service, French |
| 31 | 3234-5 | 1 | Screw-HHF |
| 32 | 93-6680 | 1 | Decal - Diesel Only |
| 33 | 94-5626 | 1 | Latch - Draw, Flexible |

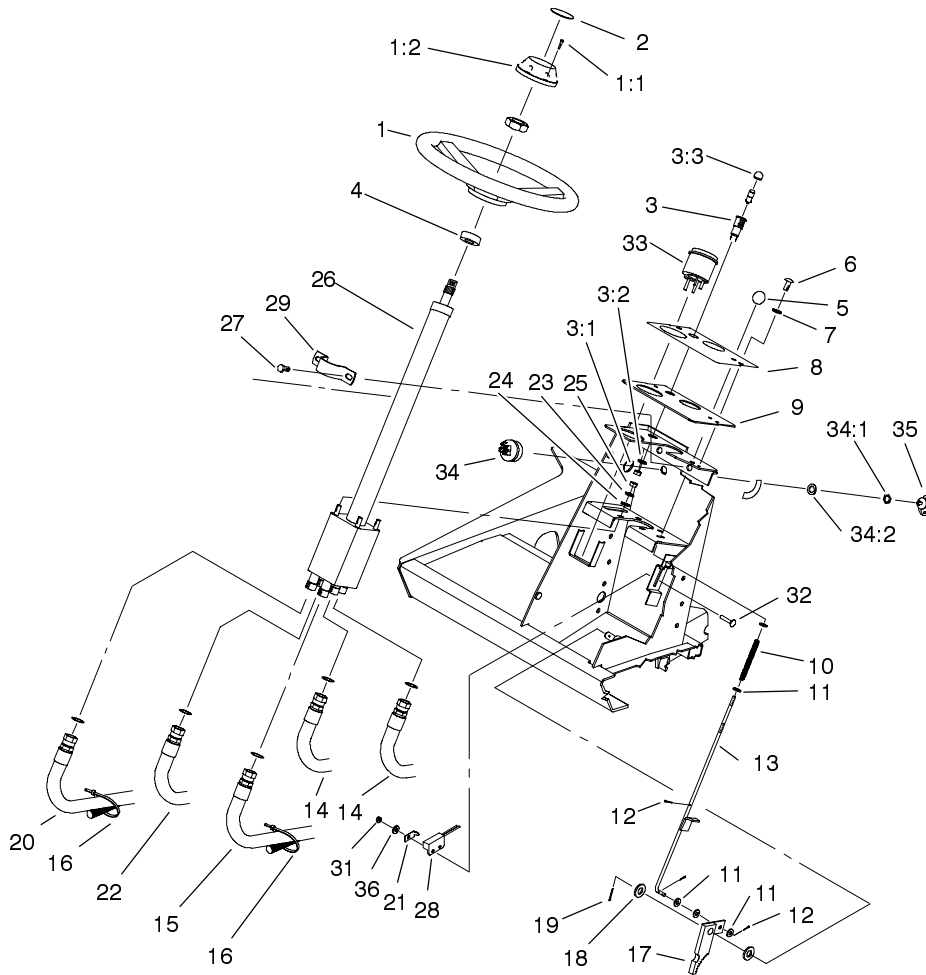


Sheet No.:A1
T-3730

Frame Assembly No. 100-3870

| Ref. No. | Part No. | Qty. | Description |
|----------|----------|------|-----------------------|
| 3 | 93-6693 | 1 | Decal-Plate, Floor |
| 4 | 93-6686 | 1 | Decal-Oil, Hydraulic |
| 5 | 75-0640 | 1 | Tread-Footrest, LH |
| 6 | 62-7400 | 1 | Decal-Toro |
| 7 | 75-0620 | 1 | Tread-Foot, LH |
| 8 | 75-0610 | 1 | Tread-Foot, RH |
| 9 | 75-0650 | 1 | Tread-Footrest, RH |
| 11 | 93-6691 | 1 | Decal-Bolt, Eccentric |
| 12 | 93-6699 | 1 | Decal - Fast/Slow |
| 14 | 104-2052 | 1 | Decal-Ansi |
| 15 | 104-9299 | 1 | Decal-Key Switch |

| Ref. No. | Part No. | Qty. | Description |
|----------|----------|------|-------------|
| | | | |
| | | | |
| | | | |
| | | | |
| | | | |
| | | | |
| | | | |
| | | | |
| | | | |
| | | | |



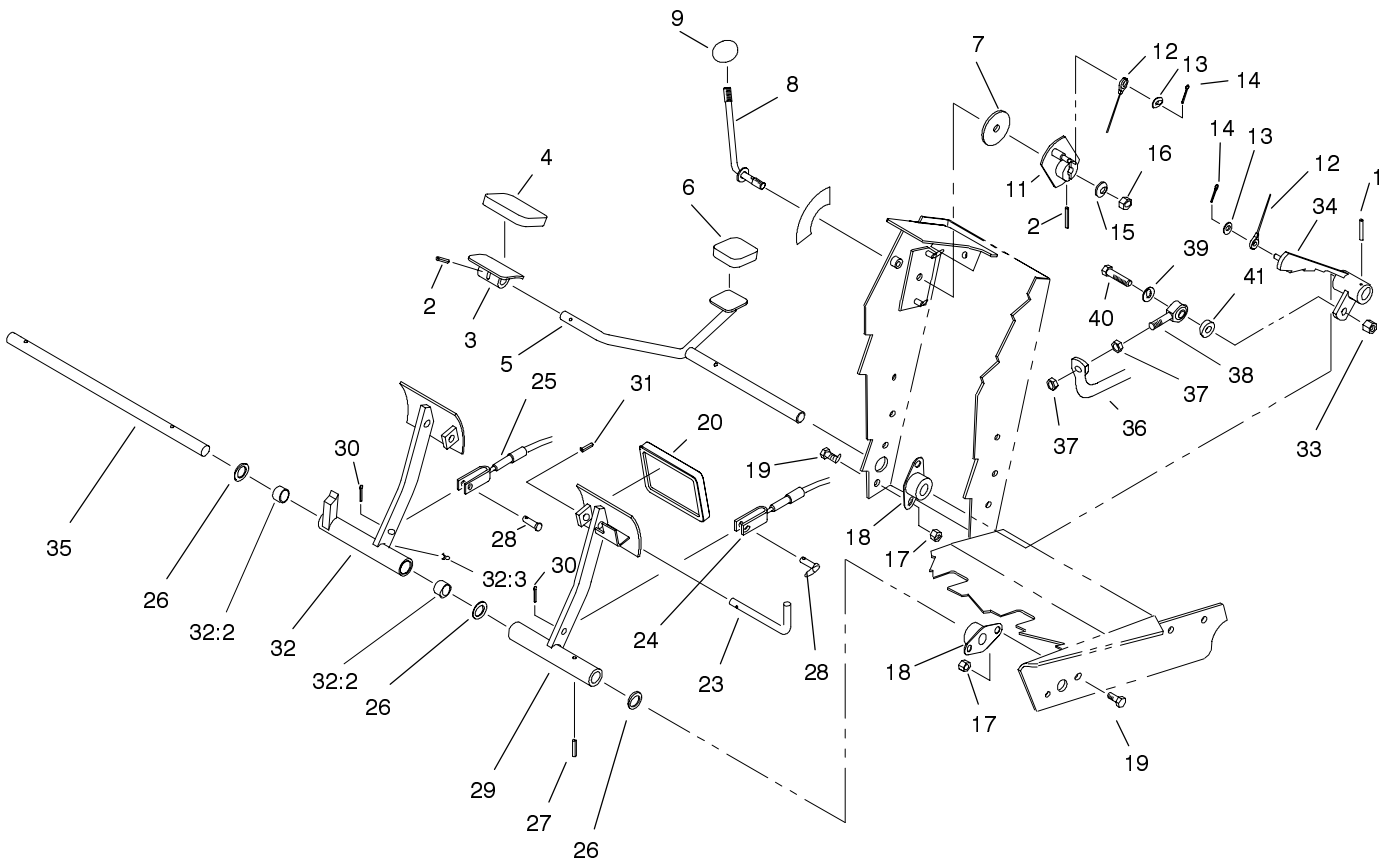
Sheet No.:3

Steering Tower Assembly

| Ref. No. | Part No. | Qty. | Description |
|----------|------------|------|-----------------------|
| 1 | 75-0560 | 1 | Wheel-Steering |
| 1:1 | 32144-21 | 1 | Screw |
| 1:2 | 68-5140 | 1 | Cap-Wheel, Steering |
| 2 | 68-5370 | 1 | Decal - Toro |
| 3 | 44-2210 | 1 | Light-Indicator, Red |
| 3:1 | 218-535 | 1 | Nut-Hex |
| 3:2 | 218-536 | 1 | Washer-Lock |
| 3:3 | 218-533 | 1 | Lens |
| 4 | 21-9260 | 1 | Cover-Dust |
| 5 | 233-17 | 1 | Knob |
| 6 | 87-6620 | 2 | Screw-Special |
| 7 | 3256-1 | 2 | Washer-Flat |
| 8 | 93-1263 | 1 | Decal-Tower |
| 9 | 93-7998-03 | 1 | Plate - Instrument |
| 10 | 95-1821-03 | 1 | Spring - Compression |
| 11 | 3256-22 | 5 | Washer-Flat |
| 12 | 3272-5 | 3 | Pin-Cotter |
| 13 | 104-1492 | 1 | Rod Assembly |
| 14 | 75-6230 | 2 | Hose |
| 15 | 75-6240 | 1 | Hose |
| 16 | 3290-378 | 4 | Tie-Cable |
| 17 | 63-7900-03 | 1 | Rack |
| 18 | 3256-26 | 2 | Washer-Flat |
| 19 | 3272-10 | 1 | Pin-Cotter |
| 20 | 75-5940 | 1 | Hose |
| 21 | 100-4872 | 1 | Plate-Switch, Neutral |

| Ref. No. | Part No. | Qty. | Description |
|----------|----------|------|--------------------------|
| 22 | 75-6250 | 1 | Hose |
| 23 | 3256-23 | 4 | Washer-Flat |
| 24 | 3255-8 | 1 | Washer-Lock/Ext |
| 25 | 3296-20 | 4 | Nut-Lock NI |
| 26 | 75-0600 | 1 | Unit-Steering, Power |
| 27 | 32144-11 | 2 | Screw-TAP |
| 28 | 100-1270 | 1 | Switch-Proximity |
| 29 | 75-2810 | 1 | Bracket-Column, Steering |
| 31 | 3296-2 | 1 | Nut-Lock |
| 32 | 104-1450 | 1 | Bolt-CARR |
| 33 | 85-4420 | 1 | Speedometer |
| 34 | 27-2360 | 1 | Switch-Key |
| 34:1 | 218-446 | 1 | Nut-Hex |
| 34:2 | 218-447 | 1 | Washer-Lock |
| 35 | 63-8360 | 1 | Key-Ignition |
| 36 | 3256-14 | 1 | Washer-Flat |
| *99 | 3290-410 | 3 | Push Mount Tie |

* Not illustrated

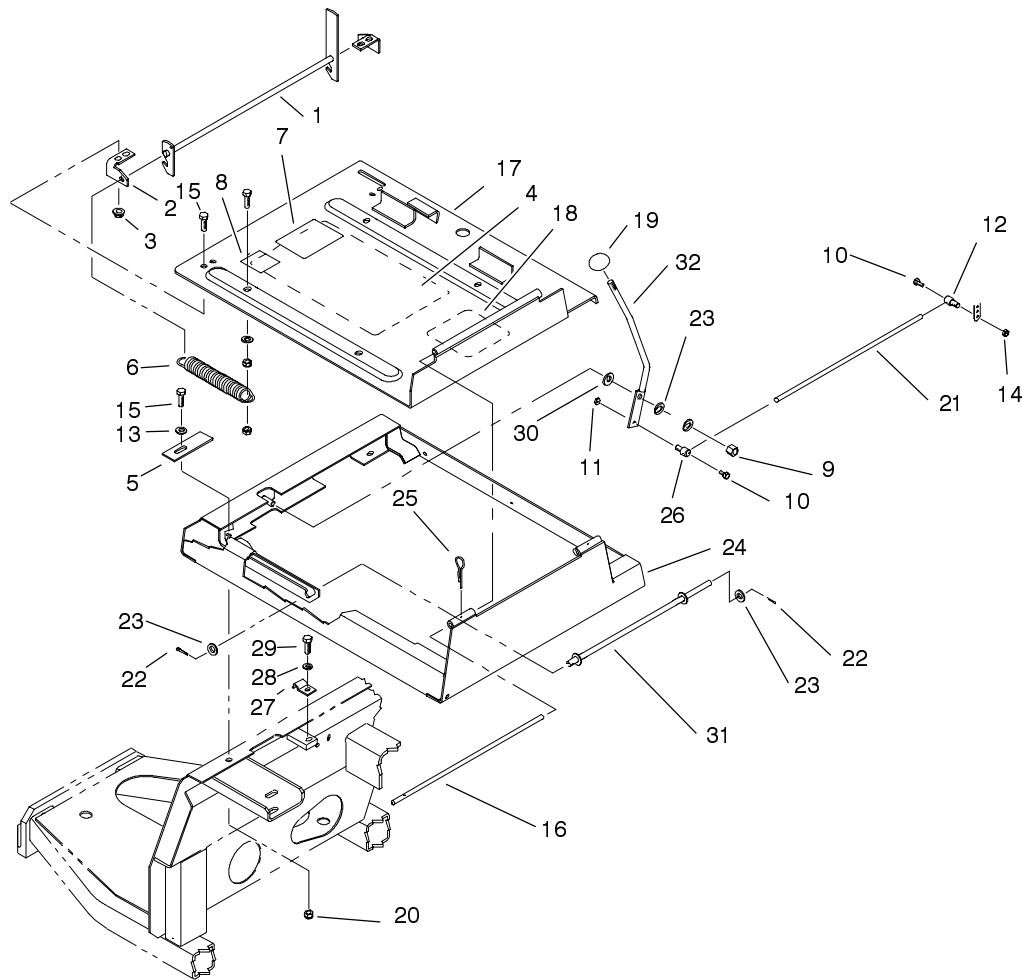


Sheet No.:4

Traction and Brake Pedals Assembly

| Ref. No. | Part No. | Qty. | Description |
|----------|------------|------|-----------------------|
| 1 | 32121-6 | 1 | Pin-Roll |
| 2 | 32121-45 | 2 | Pin-Spring |
| 3 | 49-6440-03 | 1 | Pedal-Forward |
| 4 | 74-9100 | 1 | Pad-Pedal, Forward |
| 5 | 75-2970 | 1 | Pedal-Traction |
| 6 | 74-9110 | 1 | Pad-Pedal, Reverse |
| 7 | 75-6550 | 1 | Disc-Friction |
| 8 | 75-6490 | 1 | Lever |
| 9 | 233-42 | 1 | Knob |
| 11 | 75-6510 | 1 | Bracket-Lever |
| 12 | 75-6580 | 1 | Cable - Pedal |
| 13 | 3256-22 | 2 | Washer-Flat |
| 14 | 3272-2 | 2 | Pin-Cotter |
| 15 | 3290-461 | 1 | Washer-Spring |
| 16 | 3296-59 | 1 | Nut-Lock NI |
| 17 | 3296-29 | 8 | Nut-Lock |
| 18 | 256-236 | 4 | Bearing-Mount, Flange |
| 19 | 322-3 | 8 | Screw-HH |
| 20 | 93-8742 | 2 | Footpad - Brake |
| 23 | 63-7880 | 1 | Pin-Latch, Brake |
| 24 | 63-7733 | 1 | LH Brake Cable ASM |
| 25 | 63-7732 | 1 | RH Brake Cable ASM |
| 26 | 3256-69 | 3 | Washer-Flat |
| 27 | 32121-16 | 1 | Pin-Spring |
| 28 | 283-58 | 2 | Pin-Clevis |

| Ref. No. | Part No. | Qty. | Description |
|----------|------------|------|---------------------|
| 29 | 75-1440-03 | 1 | Pedal-Brake, LH |
| 30 | 3272-10 | 2 | Pin-Cotter |
| 31 | 32121-50 | 1 | Pin-Spring |
| 32 | 75-1430 | 1 | Pedal-Brake, RH |
| 32:2 | 256-42 | 2 | Bushing |
| 32:3 | 302-5 | 1 | Fitting-Grease |
| 33 | 3296-39 | 1 | Nut-Lock, NI |
| 34 | 75-3270-03 | 1 | Hub-Pivot, Traction |
| 35 | 75-1470 | 1 | Pin-Pivot, Brake |
| 36 | 75-2170-03 | 1 | Tube-Control, Pump |
| 37 | 3220-3 | 2 | Nut-Jam |
| 38 | 2411-36 | 1 | Bearing-End, Rod |
| 39 | 3256-24 | 1 | Washer-Flat |
| 40 | 323-9 | 1 | Screw-HH |
| 41 | 5-0652 | 1 | Spacer |

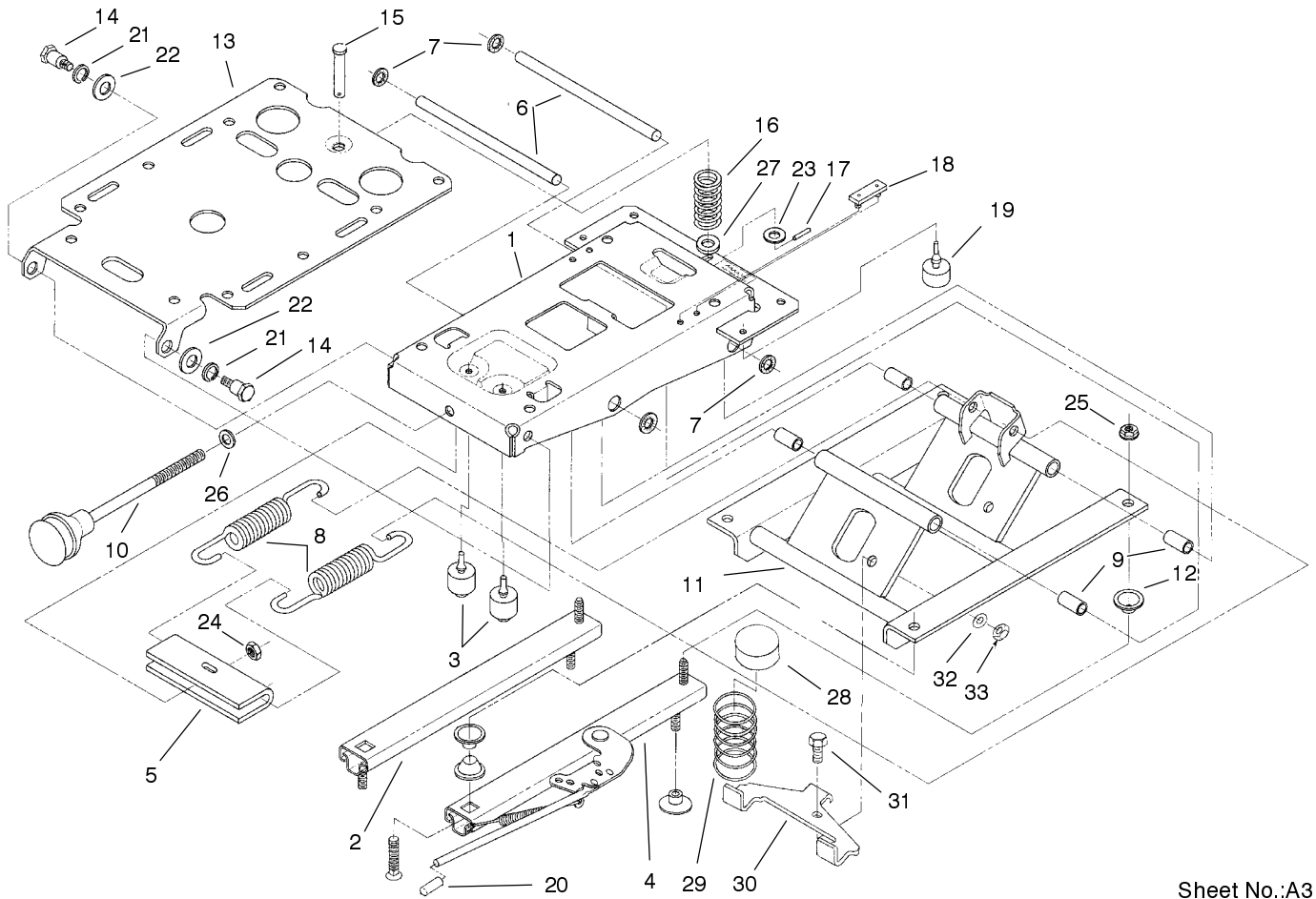


Sheet No.:5

Seat Frame and Throttle Assembly

| Ref. No. | Part No. | Qty. | Description |
|----------|------------|------|------------------------|
| 1 | 98-2354-03 | 1 | Latch-Seat |
| 2 | 98-2353 | 2 | Bracket-Latch, Seat |
| 3 | 32128-25 | 4 | Nut-Flange |
| 4 | 98-9342 | 1 | Decal |
| 5 | 98-9302 | 1 | Plate-Stop, Idler |
| 6 | 66-4190-03 | 1 | Spring-Idler, Clutch |
| 7 | 92-5524 | 1 | Decal-Rating, Noise |
| 8 | 63-9920 | 1 | Decal-Level, Noise |
| 9 | 3296-39 | 1 | Nut-Lock, NI |
| 10 | 25-8640 | 2 | Screw-HH |
| 11 | 3296-3 | 1 | Nut-Lock NI |
| 12 | 98-9311 | 1 | Swivel - Throttle |
| 13 | 3256-23 | 1 | Washer-Flat |
| 14 | 3296-20 | 1 | Nut-Lock NI |
| 15 | 322-3 | 8 | Screw-HH |
| 16 | 75-3400 | 1 | Shaft-Pivot, Seat |
| 17 | 98-2350-03 | 1 | Plate-Seat |
| 18 | 93-8060 | 1 | Decal - Reels |
| 19 | 233-42 | 1 | Knob |
| 20 | 3296-29 | 4 | Nut-Lock |
| 21 | 98-9303 | 1 | Cable - Throttle |
| 22 | 3272-10 | 2 | Pin-Cotter |
| 23 | 3256-24 | 3 | Washer-Flat |
| 24 | 98-2352-03 | 1 | Frame-Seat |
| 25 | 3290-467 | 1 | Pin-Hair |
| 26 | 93-0021 | 1 | Swivel-Cable, Throttle |

| Ref. No. | Part No. | Qty. | Description |
|----------|------------|------|-----------------|
| 27 | 3-6657 | 1 | Clip-Skid |
| 28 | 3253-3 | 1 | Washer-Lock |
| 29 | 321-4 | 1 | Screw-HH |
| 30 | 66-2920 | 2 | Washer-Friction |
| 31 | 75-3680-03 | 1 | Rod-Seat |
| 32 | 75-3430-03 | 1 | Lever-Throttle |

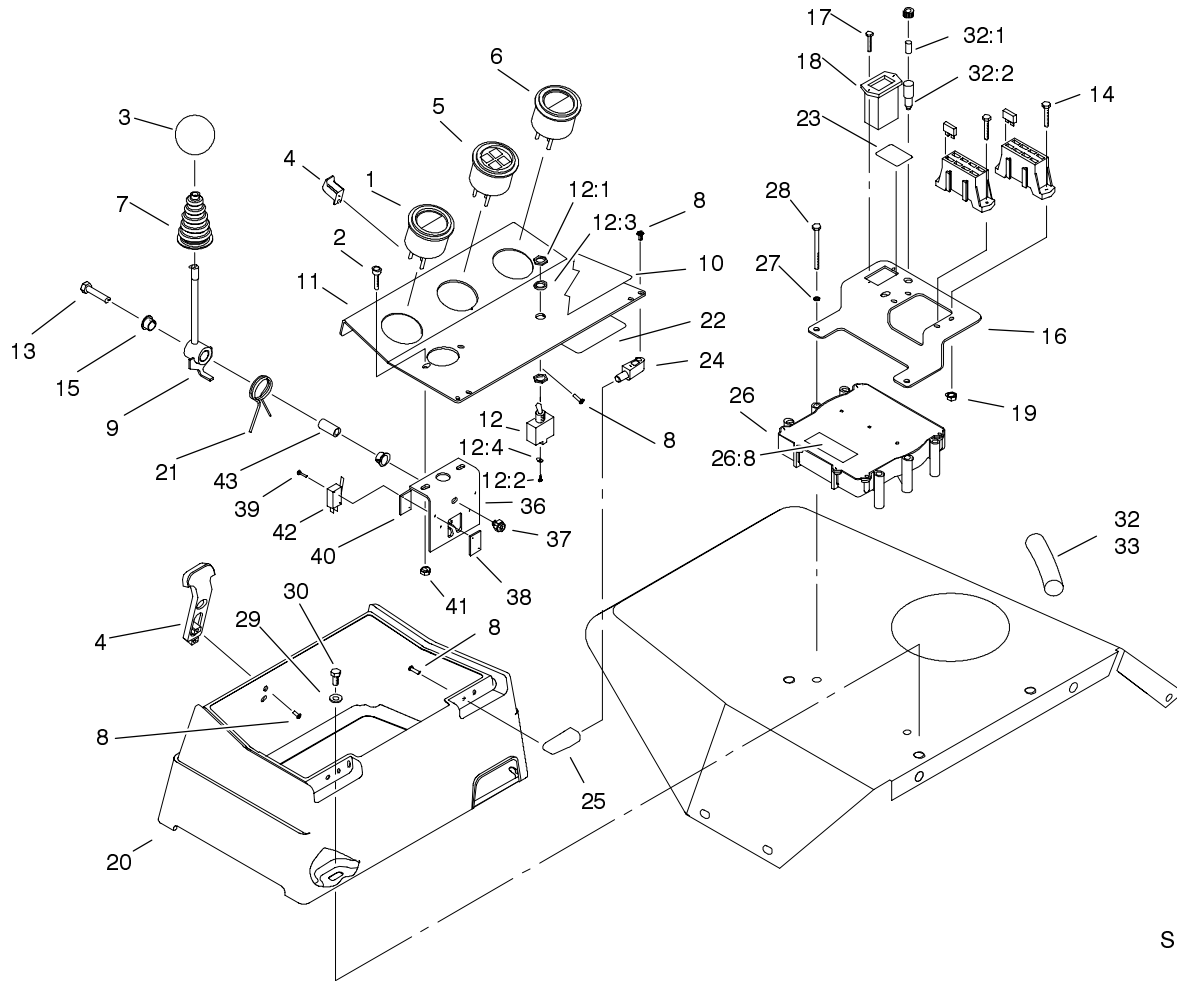


Sheet No.:A3
T-3437

Seat Suspension Assembly No. 75-3000

| Ref. No. | Part No. | Qty. | Description |
|----------|----------|------|------------------------|
| 1 | 75-3480 | 1 | Frame-Upper |
| 2 | 66-8530 | 1 | Adjuster |
| 3 | 66-8520 | 2 | Bumper-Downstop |
| 4 | 82-9060 | 1 | Adjuster W/Handle |
| 5 | 77-2870 | 1 | Hanger-Spring |
| 6 | 76-1910 | 2 | Shaft-Pivot |
| 7 | 66-8560 | 4 | Nut-Push |
| 8 | 76-1940 | 2 | Spring-Extension |
| 9 | 76-1920 | 4 | Bearing-Sleeve |
| 10 | 76-1930 | 1 | Knob-Adjuster, Tension |
| 11 | 66-8610 | 1 | Frame-Lower |
| 12 | 66-9290 | 6 | Spacer-Suspension |
| 13 | 75-3580 | 1 | Plate-Seat |
| 14 | 75-3510 | 2 | Bolt |
| 15 | 80-4860 | 1 | Pin - Clevis |
| 16 | 75-3530 | 1 | Spring |
| 17 | 75-3540 | 1 | Pin-Roll |
| 18 | 75-3550 | 2 | Bumper |
| 19 | 76-2940 | 2 | Bumper |
| 20 | 75-3570 | 1 | Tip |
| 21 | 3253-6 | 2 | Washer-Lock/Sp |
| 22 | 3256-26 | 2 | Washer-Flat |
| 23 | 3256-24 | 1 | Washer-Flat |
| 24 | 3296-44 | 1 | Nut-Lock NI |
| 25 | 32128-26 | 4 | Nut-Flange |

| Ref. No. | Part No. | Qty. | Description |
|----------|----------|------|-------------|
| 26 | 3256-46 | 1 | Washer-Flat |
| 27 | 3256-5 | 1 | Washer-Flat |
| 28 | 93-3164 | 2 | Cap |
| 29 | 93-3163 | 2 | Spring |
| 30 | 93-3165 | 1 | Bracket |
| 31 | 322-6 | 1 | Screw-HH |
| 32 | 3253-33 | 1 | Washer-Lock |
| 33 | 3217-6 | 1 | Nut-Hex |



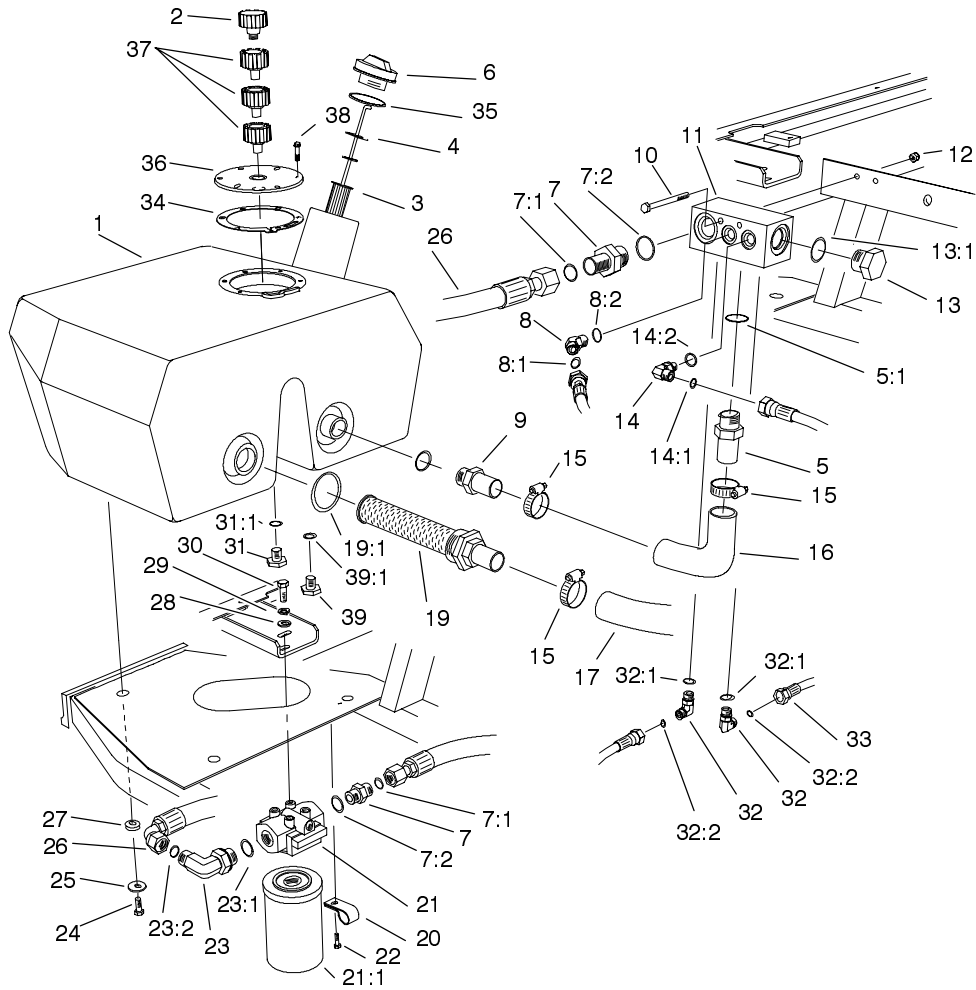
Sheet No.:7

Control Console Assembly

| Ref. No. | Part No. | Qty. | Description |
|----------|-------------|------|------------------------|
| 1 | 98-9339 | 1 | Guage-Fuel |
| 2 | 3258-166 | 2 | Screw |
| 3 | 233-33 | 1 | Knob |
| 4 | 94-5626 | 1 | Latch - Draw, Flexible |
| 5 | 98-9306 | 1 | Light - Warning |
| 6 | 98-9308 | 1 | Gauge - Temperature |
| 7 | 93-5961 | 1 | Boot - Lever |
| 8 | 104-9316 | 11 | Screw-TAP, PPH |
| 9 | 104-9261 | 1 | Lever Assembly |
| 10 | 104-9296 | 1 | Decal-Control |
| 11 | 104-9251-03 | 1 | Plate - Instrument |
| 12 | 99-8352 | 1 | Switch-Backlap, Master |
| 12:1 | 218-498 | 2 | Locknut-Hex |
| 12:2 | 218-588 | 3 | Screw |
| 12:3 | 218-589 | 1 | Washer |
| 12:4 | 3253-19 | 3 | Washer-Lock/Sp |
| 13 | 322-8 | 1 | Screw-HH |
| 14 | 32105-13 | 4 | Screw-SHH |
| 15 | 93-5547 | 2 | Bushing - Nylon |
| 16 | 104-1499-03 | 1 | Bracket-Fuse Block |
| 17 | 32144-18 | 2 | Screw-HH |
| 18 | 75-6820 | 1 | Hourmeter |
| 19 | 3296-2 | 4 | Nut-Lock |
| 20 | 104-0027 | 1 | Control Box |
| 21 | 93-5509 | 1 | Spring - Tension |

| Ref. No. | Part No. | Qty. | Description |
|----------|------------|------|------------------------------|
| 22 | 94-6767 | 1 | Decal - Fuses |
| 23 | 104-9298 | 1 | Decal-Controller |
| 24 | 104-1496 | 2 | Hinge - Pin |
| 25 | 104-1497 | 2 | Hinge - Receiver |
| 26 | 92-5720 | 1 | Controller-Electronic |
| 26:8 | 93-8053 | 1 | Decal |
| 27 | 3253-3 | 2 | Washer-Lock |
| 28 | 321-14 | 2 | Screw-HH |
| 29 | 3256-3 | 3 | Washer-Flat (only on: 03544) |
| 30 | 322-3 | 3 | Screw-HH |
| 32 | 100-3894 | 1 | Harness-Electrical |
| 32:1 | 219-19 | 1 | Lamp-Green |
| 32:2 | 85-4491 | 1 | Light-Indicator |
| *32:3 | 85-4650 | 1 | Connector-Loopback |
| 33 | 94-6343 | 1 | Decal-I.d., Wire |
| 36 | 93-5991-03 | 1 | Bracket - Lift Lever |
| 37 | 3296-29 | 1 | Nut-Lock |
| 38 | 3290-354 | 2 | Nut-Speed |
| 39 | 3290-329 | 4 | Screw-PPH |
| 40 | 61-2990 | 2 | Spacer |
| 41 | 32128-33 | 2 | Nut-HF |
| 42 | 111332 | 2 | Switch |
| 43 | 93-5512 | 1 | Spacer |

* Not illustrated

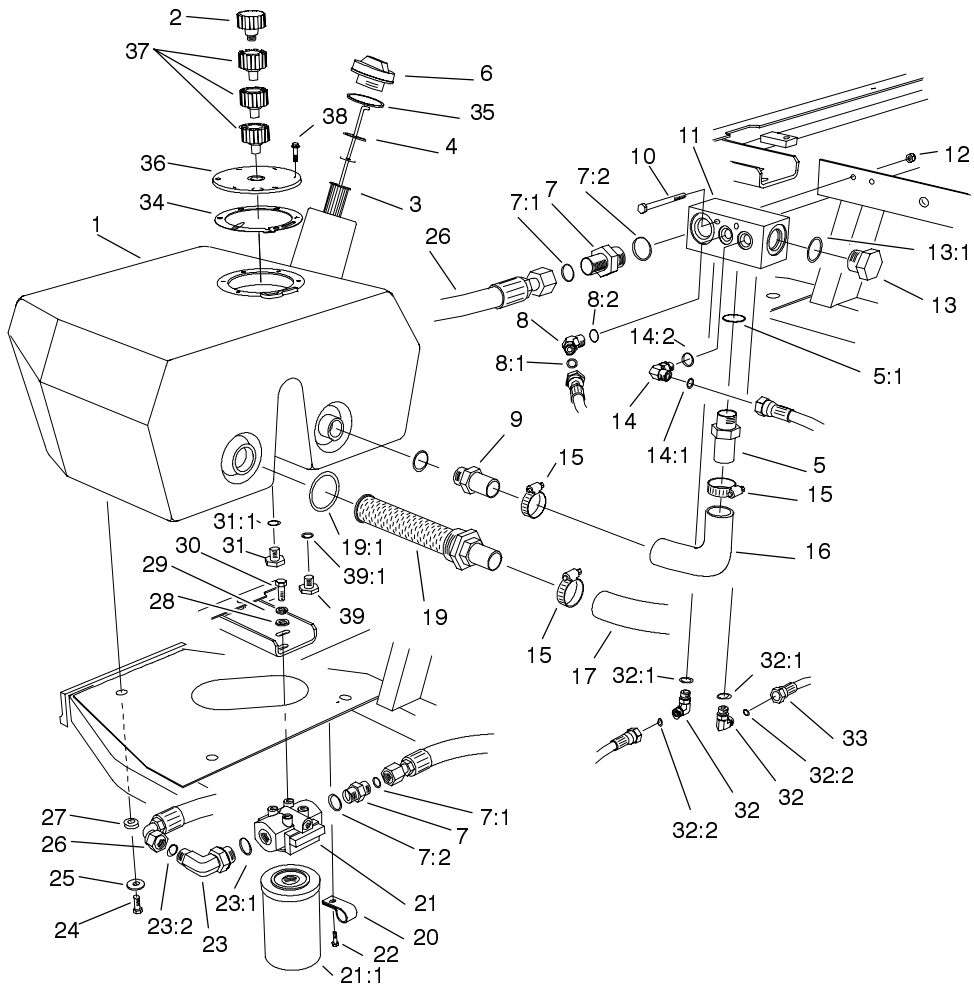


Sheet No.:8

Hydraulic Filter and Reservoir Assembly

| Ref. No. | Part No. | Qty. | Description |
|----------|----------|------|--------------------|
| 1 | 104-9254 | 1 | Tank-Oil |
| 2 | 68-6150 | 1 | Breather-Air |
| 3 | 61-2790 | 1 | Filter-Screen |
| 4 | 94-9411 | 1 | Dipstick |
| 5 | 354-73 | 1 | Fitting |
| 5:1 | 237-81 | 1 | O-Ring |
| 6 | 93-7498 | 1 | Plug-Plastic |
| 7 | 340-8 | 2 | Adapter |
| 7:1 | 237-65 | 2 | O-Ring |
| 7:2 | 237-81 | 2 | O-Ring |
| 8 | 340-87 | 1 | Fitting-45 DEG |
| 8:1 | 237-22 | 1 | O-Ring |
| 8:2 | 237-42 | 1 | O-Ring |
| 9 | 99-6932 | 1 | Fitting-Barb, Hose |
| 10 | 321-23 | 2 | Screw-HH |
| 11 | 92-9098 | 1 | Manifold - Tank |
| 12 | 3296-42 | 2 | Nut-Lock NI |
| 13 | 354-74 | 1 | Fitting |
| 13:1 | 237-81 | 1 | O-Ring |
| 14 | 340-77 | 1 | Fitting-90 DEG |
| 14:1 | 237-22 | 1 | O-Ring |
| 14:2 | 237-42 | 1 | O-Ring |
| 15 | 2412-34 | 3 | Clamp-Hose |
| 16 | 75-5720 | 1 | Hose - Return |
| 17 | 75-6870 | 1 | Hose-Inlet, Pump |
| 19 | 104-7546 | 1 | Strainer-Tank |

| Ref. No. | Part No. | Qty. | Description |
|----------|-----------|------|-----------------------------|
| 19:1 | 340-136 | 1 | O-Ring |
| 20 | 2412-93 | 2 | R-Clamp |
| 21 | 75-1300 | 1 | Oil Filter ASM |
| 21:1 | 75-1310 | 1 | Filter Element |
| 22 | 32144-10 | 2 | Screw-HWH |
| 23 | 340-139 | 1 | Fitting-HYD, 90 DEG |
| 23:1 | 237-81 | 1 | O-Ring |
| 23:2 | 237-65 | 1 | O-Ring |
| 24 | 33105-025 | 3 | Screw-HHF |
| 25 | 63-8410 | 3 | Washer |
| 26 | 75-6130 | 1 | Hose |
| 27 | 240-11 | 3 | Grommet-Mount, Tank |
| 28 | 3256-24 | 2 | Washer-Flat |
| 29 | 3253-21 | 2 | Washer-Lock |
| 30 | 323-4 | 2 | Screw-HH |
| 31 | 353-550 | 1 | Plug-HYD |
| 31:1 | 237-79 | 1 | O-Ring |
| 32 | 340-82 | 2 | Adapter |
| 32:1 | 237-42 | 1 | O-Ring |
| 32:2 | 237-21 | 1 | O-Ring |
| 33 | 100-3739 | 1 | Hose Assembly-Drain, Return |
| 34 | 93-7499 | 1 | Gasket |
| 35 | 237-101 | 1 | O-Ring |
| 36 | 93-7588 | 1 | Cover - Tank |

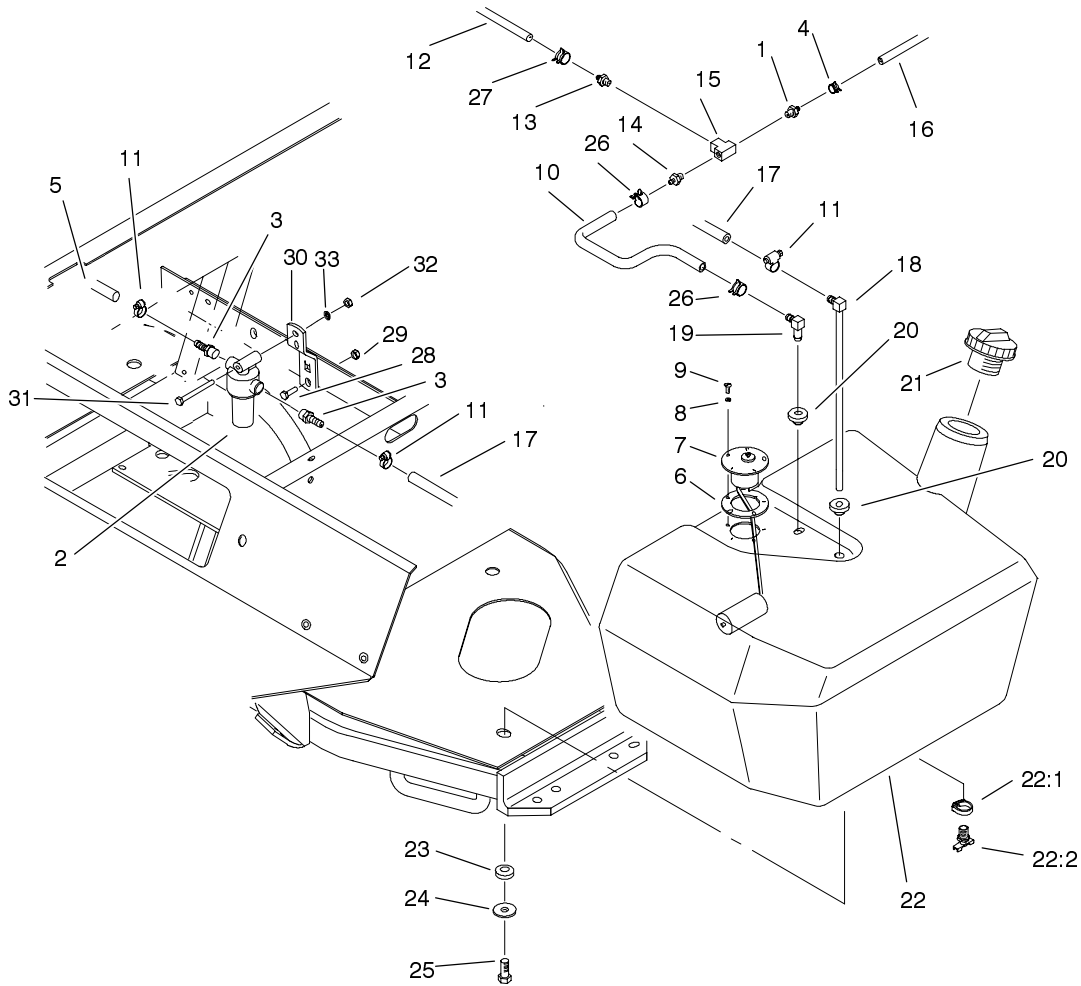


Sheet No.:8

Hydraulic Filter and Reservoir Assembly (Continued)

| Ref. No. | Part No. | Qty. | Description |
|----------|-----------|------|--------------------|
| 37 | 92-8020 | 3 | Adapter - Breather |
| 38 | 33104-020 | 6 | Screw-HHF |
| 39 | 353-508 | 1 | Plug-O-Ring |
| 39:1 | 237-42 | 1 | O-Ring |

| Ref. No. | Part No. | Qty. | Description |
|----------|----------|------|-------------|
| | | | |
| | | | |
| | | | |
| | | | |



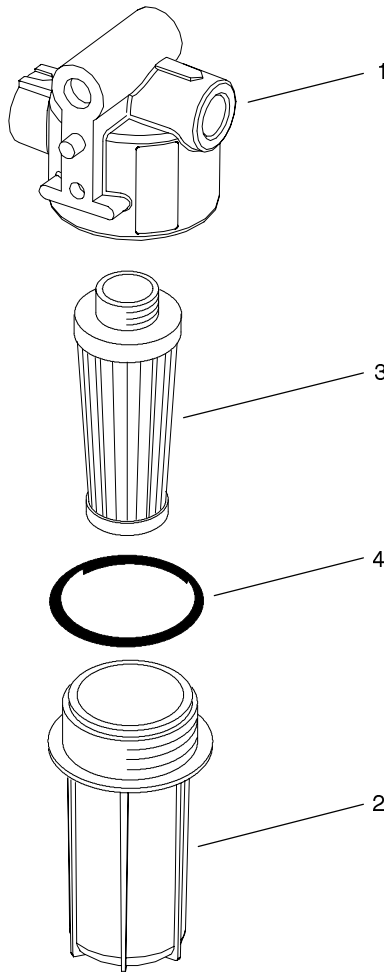
Sheet No.:9

Fuel Tank Assembly

| Ref. No. | Part No. | Qty. | Description |
|----------|----------|------|-----------------------|
| 1 | 304-73 | 1 | Connector-Hose |
| 2 | 99-8351 | 1 | Filter - Fuel, Inline |
| 3 | 353-783 | 2 | Fitting-Pump |
| 4 | 2412-98 | 1 | Clamp |
| 5 | 63-7610 | 1 | Hose-Fuel |
| 6 | 62-7650 | 1 | Gasket |
| 7 | 63-7640 | 1 | Sender-Fuel |
| 8 | 3253-15 | 5 | Washer-Lock/Sp |
| 9 | 32122-24 | 5 | Screw-Pth |
| 10 | 93-2042 | 1 | Hose - Fuel |
| 11 | 2412-108 | 4 | Clamp-Worm |
| 12 | 75-4700 | 1 | Hose-Fuel |
| 13 | 354-22 | 1 | Fitting-Barb |
| 14 | 354-21 | 1 | Fitting-Barb |
| 15 | 354-20 | 1 | Fitting-Tee |
| 16 | 98-9338 | 1 | Hose - Fuel |
| 17 | 95-4276 | 1 | Hose - Fuel |
| 18 | 66-8121 | 1 | Standpipe |
| 19 | 46-6550 | 1 | Fitting-HYD, 90 |
| 20 | 46-6560 | 2 | Bushing |
| 21 | 93-3102 | 1 | Cap-Fuel |
| 22 | 104-0084 | 1 | Tank - Fuel |
| 22:1 | 2412-36 | 1 | Clamp-Hose |
| 22:2 | 304-46 | 1 | Draincock |
| 23 | 240-11 | 3 | Grommet-Mount, Tank |

| Ref. No. | Part No. | Qty. | Description |
|----------|-----------|------|-------------------------|
| 24 | 63-8410 | 3 | Washer |
| 25 | 33105-025 | 3 | Screw-HHF |
| 26 | 92-2379 | 2 | Clamp-Hose |
| 27 | 2412-146 | 2 | Clamp-Hose |
| 28 | 322-4 | 1 | Screw-HH |
| 29 | 3296-29 | 1 | Nut-Lock |
| 30 | 98-9748 | 1 | Bracket-Support, Filter |
| 31 | 321-18 | 1 | Screw-HH |
| 32 | 3296-42 | 1 | Nut-Lock NI |
| 33 | 3256-22 | 1 | Washer-Flat |
| *34 | 3290-378 | 1 | Tie-Cable |

* Not illustrated



2 — 2 & 4

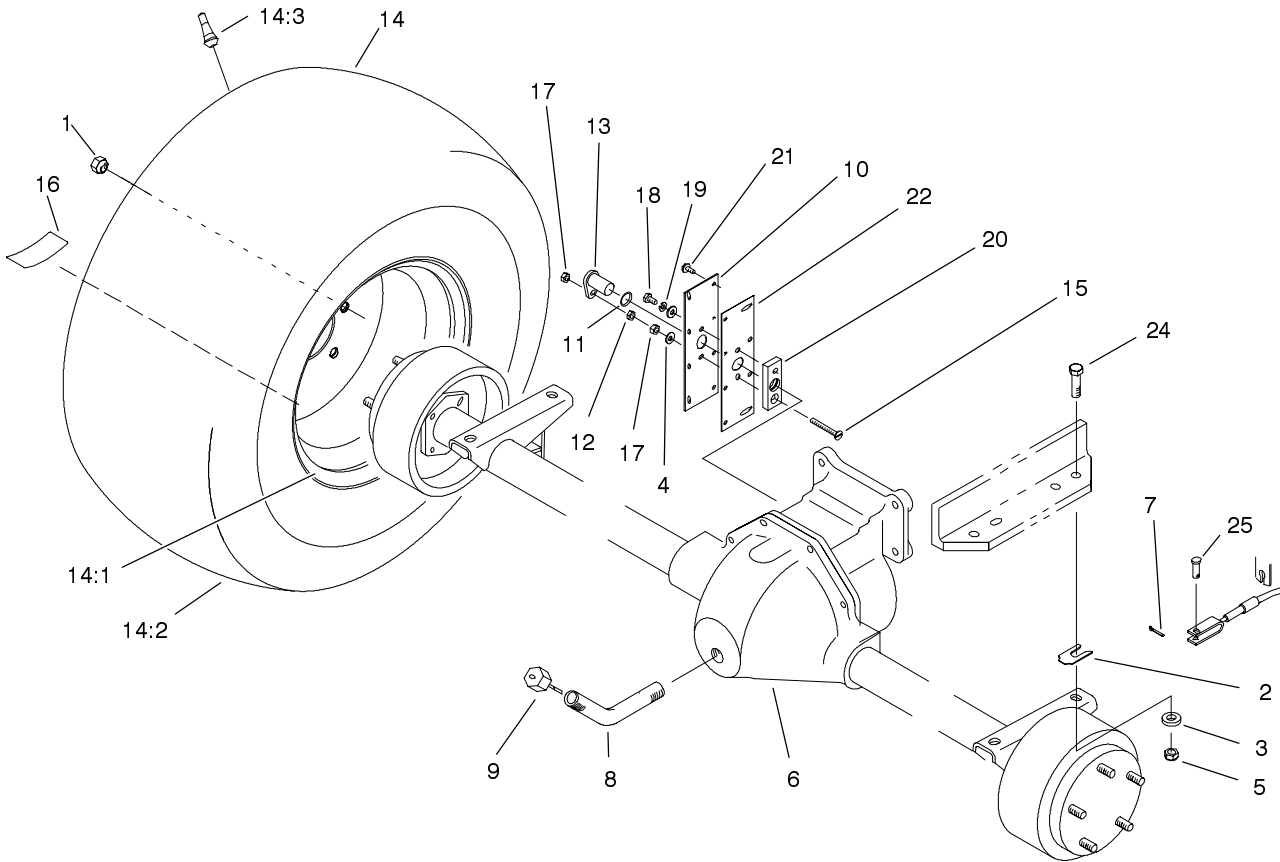
3 — 3 & 4

Sheet No.:A4
T-3100

Fuel Filter Assembly No. 99-8351

| Ref. No. | Part No. | Qty. | Description |
|----------|----------|------|--------------------|
| 1 | 99-8356 | 1 | Kit - Head W/Label |
| 2 | 99-8357 | 1 | Kit-Bowel |
| 3 | 99-8358 | 1 | Kit-Element |
| 4 | 99-8359 | 1 | O-Ring Replacement |

| Ref. No. | Part No. | Qty. | Description |
|----------|----------|------|-------------|
| | | | |
| | | | |
| | | | |
| | | | |



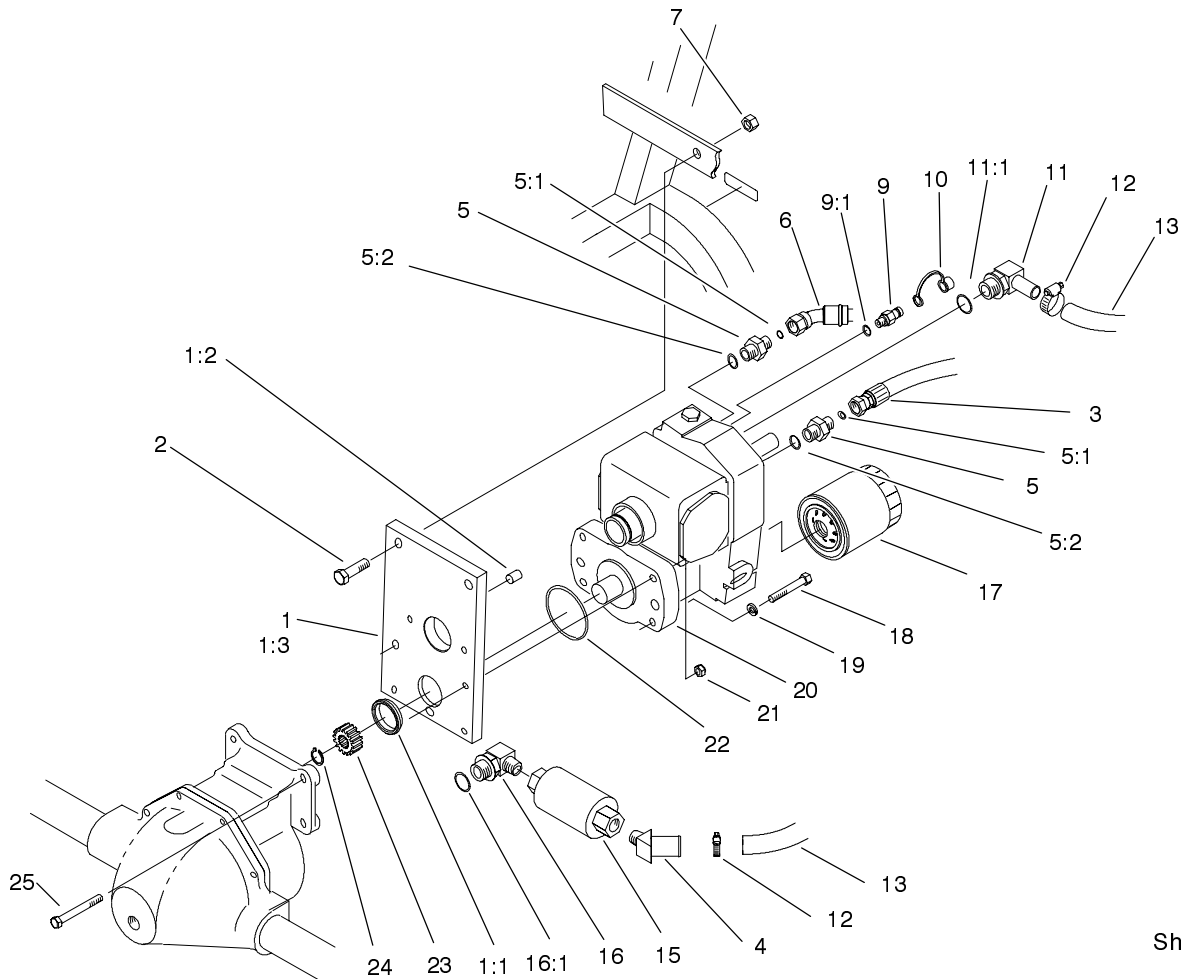
Sheet No.:10

Front Axle Assembly

| Ref. No. | Part No. | Qty. | Description |
|----------|------------|------|--------------------------|
| 1 | 23-7270 | 10 | Nut-Wheel |
| 2 | 42-6080 | 5 | Shim-Axle |
| 3 | 66-6480 | 4 | Washer |
| 4 | 3256-22 | 2 | Washer-Flat |
| 5 | 3296-48 | 4 | Nut-Lock NI |
| 6 | 99-6981-03 | 1 | Drive Axle |
| 7 | 3272-10 | 2 | Pin-Cotter |
| 8 | 75-6850 | 1 | Tube-Fill, Oil |
| 9 | 27-3710 | 1 | Dipstick |
| 10 | 85-4330 | 1 | Cover-Gear |
| 11 | 237-181 | 1 | O-Ring |
| 12 | 3218-1 | 1 | Nut-Jam |
| 13 | 85-4350 | 1 | Sensor - Geartooth |
| ☆14 | | 2 | Wheel And Tire ASM |
| 14:1 | 99-6984 | 1 | Wheel ASM |
| 14:2 | 98-2373 | 1 | Tire |
| 14:3 | 232-27 | 1 | Stem-Valve |
| 15 | 32108-9 | 1 | Screw-FH |
| 16 | 76-8730 | 2 | Decal-Torque, Wheel |
| 17 | 3296-56 | 2 | Nut-Lock, NI |
| 18 | 321-2 | 1 | Screw-HH |
| 19 | 3253-3 | 1 | Washer-Lock |
| 20 | 85-4340 | 1 | Plate-Sensor Mounting |
| 21 | 32144-112 | 8 | Screw-HWHTF |
| 22 | 92-5797 | 1 | Gasket - Axle |

| Ref. No. | Part No. | Qty. | Description |
|----------|----------|------|-------------|
| 24 | 324-7 | 4 | Screw-HH |
| 25 | 283-58 | 2 | Pin-Clevis |

☆ Not serviced

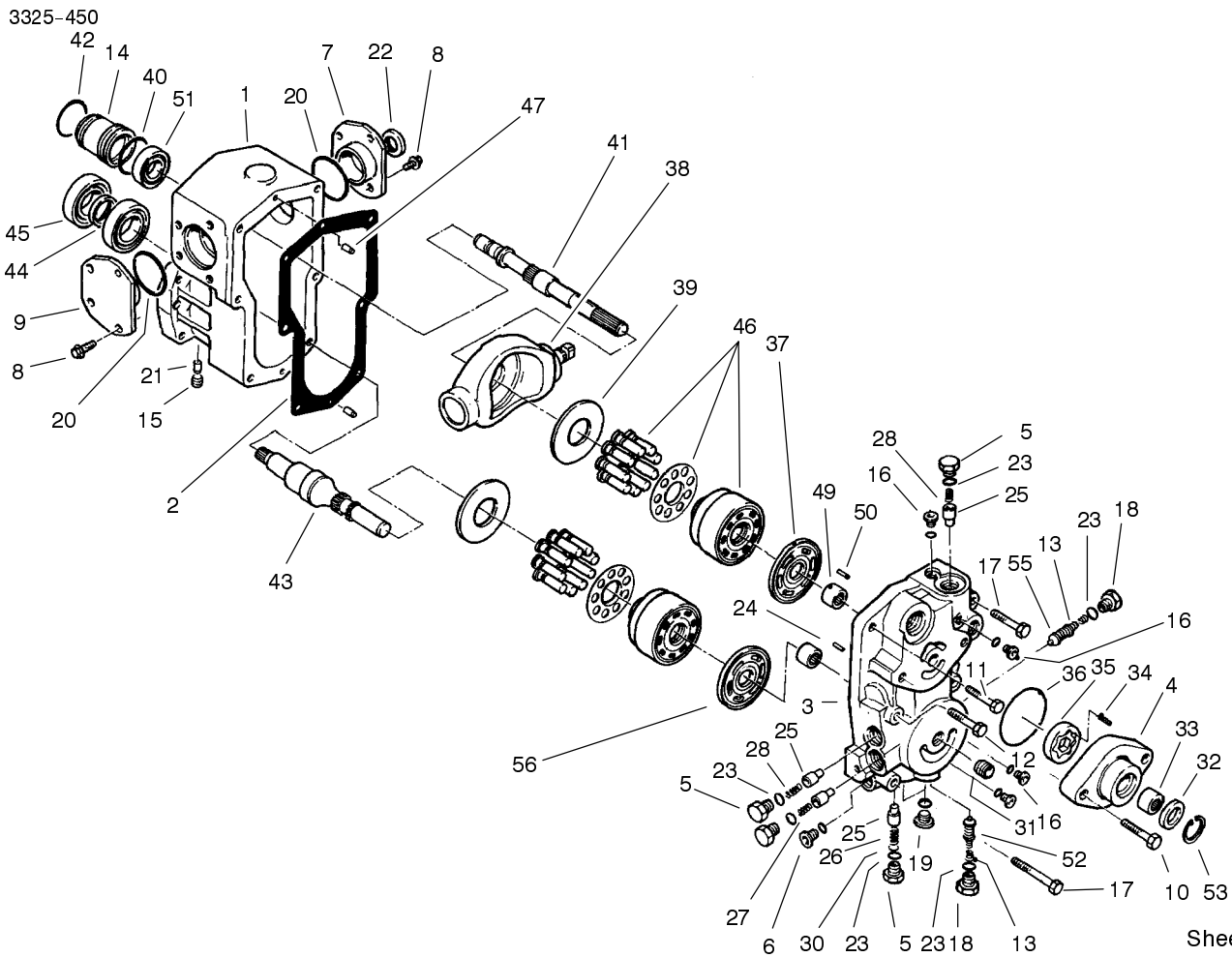


Sheet No.:11

Transmission Assembly

| Ref. No. | Part No. | Qty. | Description |
|----------|------------|------|--------------------------|
| 1 | 92-4846 | 1 | Transmission Support ASM |
| 1:1 | 75-3110 | 1 | Transmission Collar |
| 1:2 | 92-4808 | 1 | Sleeve-Transmission |
| 1:3 | 92-4809 | 1 | Transmission Support |
| 2 | 325-7 | 2 | Screw-HH |
| 3 | 93-0075 | 1 | Hose ASM |
| 4 | 354-72 | 1 | Fitting |
| 5 | 340-3 | 2 | Adapter |
| 5:1 | 237-22 | 1 | O-Ring |
| 5:2 | 237-79 | 1 | O-Ring |
| 6 | 93-0076 | 1 | Hose ASM |
| 7 | 3296-23 | 2 | Nut-Lock, NI |
| 9 | 354-77 | 1 | Fitting-Quick |
| 9:1 | 237-78 | 1 | O-Ring |
| 10 | 354-79 | 1 | Cap - Fitting, Yellow |
| 11 | 75-4720 | 1 | Fitting-Line, Suction |
| 11:1 | 237-81 | 1 | O-Ring |
| 12 | 2412-129 | 2 | Clamp-Hose |
| 13 | 75-6350 | 1 | Hose |
| 15 | 75-6340-03 | 1 | Filter |
| 16 | 354-75 | 1 | Fitting |
| 16:1 | 237-81 | 1 | O-Ring |
| 17 | 75-1330 | 1 | Element-Filter |
| 18 | 323-12 | 2 | Screw-HH |
| 19 | 3253-21 | 2 | Washer-Lock |

| Ref. No. | Part No. | Qty. | Description |
|----------|----------|------|----------------|
| 20 | 75-0012 | 1 | Transmission |
| 21 | 3296-39 | 2 | Nut-Lock, NI |
| 22 | 237-161 | 1 | O-Ring |
| 23 | 86-7220 | 1 | Gear-Pinion |
| 24 | 32151-62 | 1 | Ring-Retaining |
| 25 | 323-20 | 2 | Screw-HH |



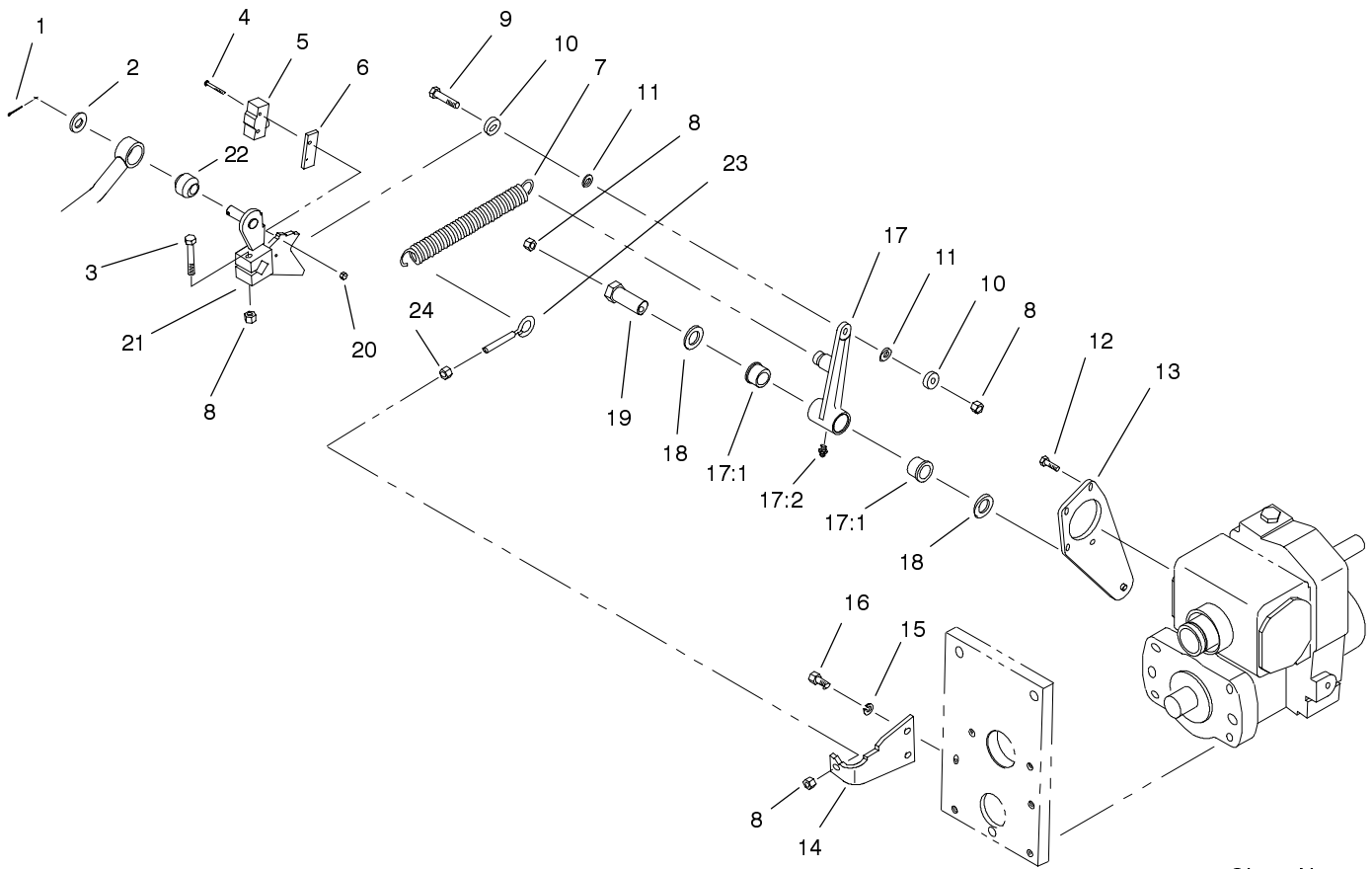
Sheet No.:A5

T-1006

Transmission Assembly No. 75-0012

| Ref. No. | Part No. | Qty. | Description |
|----------|----------|------|-----------------------|
| 1 | 75-0020 | 1 | Housing |
| 2 | 75-0030 | 1 | Gasket-Housing |
| 3 | 75-0040 | 1 | Section-Center |
| 4 | 83-4780 | 1 | Housing-Pump, Charge |
| 5 | 75-0060 | 4 | Plug |
| 6 | 75-0070 | 1 | Plug |
| 7 | 86-7520 | 1 | RH Trunnion Cover ASM |
| 8 | 75-0090 | 8 | Capscrew-HH |
| 9 | 86-7530 | 1 | LH Trunnion Cover ASM |
| 10 | 75-0110 | 2 | Capscrew-HH |
| 11 | 75-0120 | 1 | Capscrew-HH |
| 12 | 75-0130 | 3 | Capscrew-HH |
| 13 | 75-0140 | 1 | Spring-Conical |
| 14 | 75-0150 | 1 | Guide-Seal |
| 15 | 75-0160 | 1 | Plug-Pipe |
| 16 | 75-0170 | 4 | Plug-Thread, Straight |
| 17 | 75-0180 | 2 | Capscrew-HH |
| 18 | 75-0190 | 2 | Plug-Special |
| 19 | 75-0200 | 2 | Plug-Thread, Straight |
| 20 | 75-0210 | 2 | O-Ring |
| 21 | 75-0220 | 2 | Pin |
| 22 | 75-0230 | 1 | Seal-Lip |
| 23 | 75-0240 | 6 | O-Ring |

| Ref. No. | Part No. | Qty. | Description |
|----------|----------|------|---------------------|
| 24 | 75-0250 | 1 | Spring |
| 25 | 75-0260 | 4 | Valve - Relief |
| 26 | 75-0270 | 1 | Spring |
| 27 | 75-0280 | 1 | Spring |
| 28 | 75-0290 | 2 | Spring |
| 30 | 75-0310 | 1 | Shim |
| 31 | 75-0320 | 1 | Nipple |
| 32 | 75-0330 | 1 | Seal-Lip |
| 33 | 75-0340 | 1 | Bearing-Needle |
| 34 | 75-0350 | 1 | Pin |
| 35 | 75-0360 | 1 | Gerotor |
| 36 | 75-0370 | 1 | O-Ring |
| 37 | 75-0380 | 1 | Plate-Valve |
| 38 | 75-0390 | 1 | Plate-Swash |
| 39 | 75-0400 | 2 | Plate-Thrust |
| 40 | 75-0410 | 1 | O-Ring |
| 41 | 86-7540 | 1 | Shaft-Pump |
| 42 | 75-0430 | 1 | Ring-Retaining |
| 43 | 75-0440 | 1 | Shaft-Motor |
| 44 | 75-0450 | 1 | Collar |
| 45 | 75-0460 | 2 | Bearing-Ball |
| 46 | 75-0470 | 2 | Kit-Block, Cylinder |
| 47 | 75-0480 | 2 | Pin |
| 49 | 75-0500 | 2 | Bearing-Needle |
| 50 | 75-0510 | 1 | Pin |
| 51 | 75-0520 | 1 | Bearing-Ball |

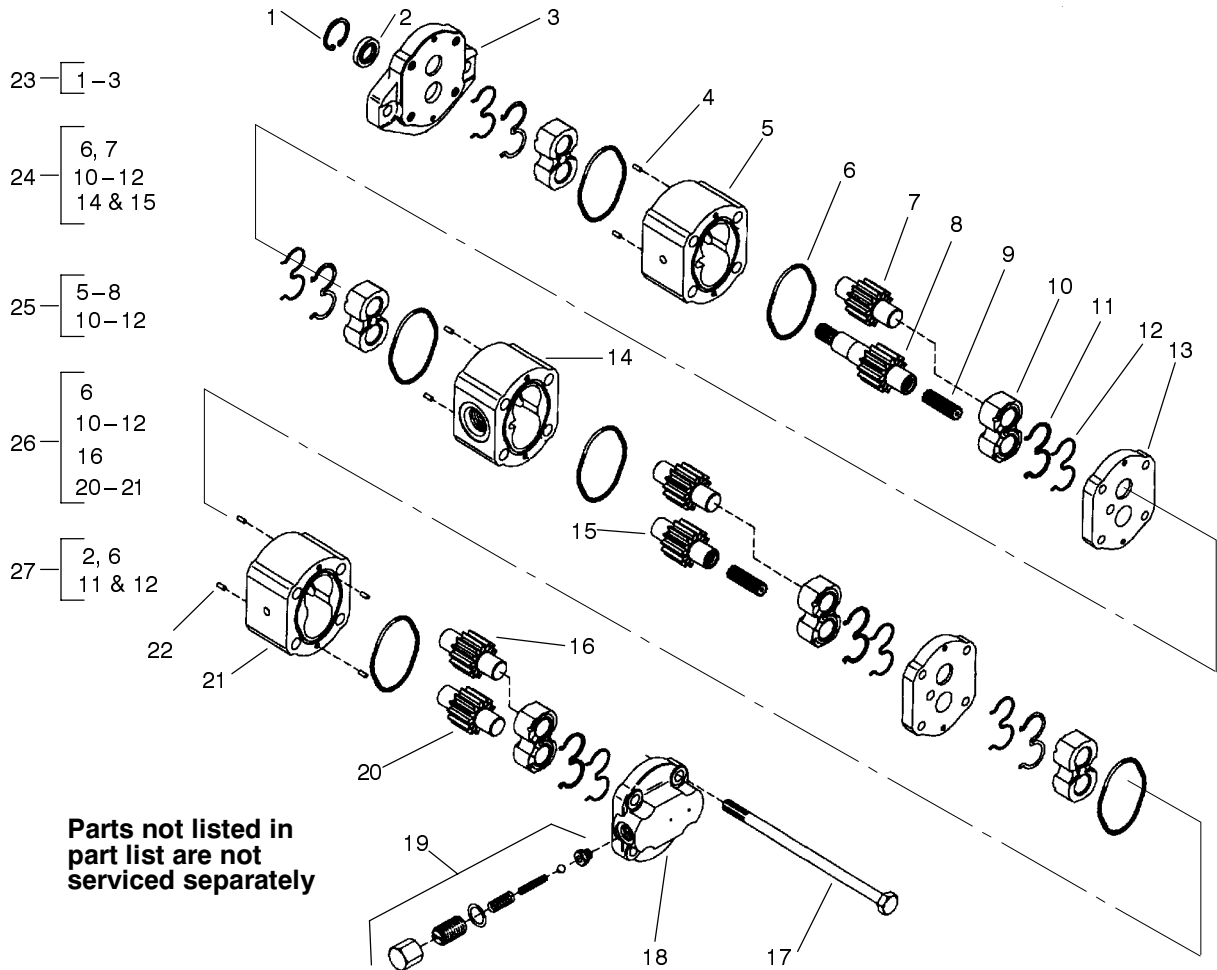


Sheet No.:12

Traction Control Assembly

| Ref. No. | Part No. | Qty. | Description |
|----------|-------------|------|---------------------------|
| 1 | 3272-10 | 1 | Pin-Cotter |
| 2 | 3256-26 | 1 | Washer-Flat |
| 3 | 322-10 | 1 | Screw-HH |
| 4 | 32105-21 | 2 | Screw-HH |
| 5 | 29-6162 | 1 | Switch-Micro |
| 6 | 75-4130 | 1 | Plate-Switch |
| 7 | 76-9430-03 | 1 | Spring-Extention |
| 8 | 3296-29 | 4 | Nut-Lock |
| 9 | 322-7 | 1 | Screw-HH |
| 10 | 251-307 | 2 | Bearing-Ball |
| 11 | 75-5470 | 2 | Spacer-Bearing |
| 12 | 32144-22 | 4 | Screw |
| 13 | 104-1480-03 | 1 | Traction Plate ASM |
| 14 | 85-9900-03 | 1 | Plate-Anchor, Spring |
| 15 | 3253-4 | 2 | Washer-Lock |
| 16 | 322-3 | 2 | Screw-HH |
| 17 | 92-2581 | 1 | Neutral Switch Arm ASM |
| 17:1 | 256-113 | 2 | Bushing-Flange |
| 17:2 | 302-5 | 1 | Fitting-Grease |
| 18 | 3-6498 | 2 | Washer-Thrust |
| 19 | 76-8640 | 1 | Stud - Traction |
| 20 | 3296-9 | 2 | Nut-Lock NI |
| 21 | 75-4100-03 | 1 | Control-Pump |
| 22 | 23-2270 | 1 | Bushing-Rubber |

| Ref. No. | Part No. | Qty. | Description |
|----------|----------|------|-------------|
| 23 | 85-9910 | 1 | Eyebolt |
| 24 | 3217-6 | 1 | Nut-Hex |

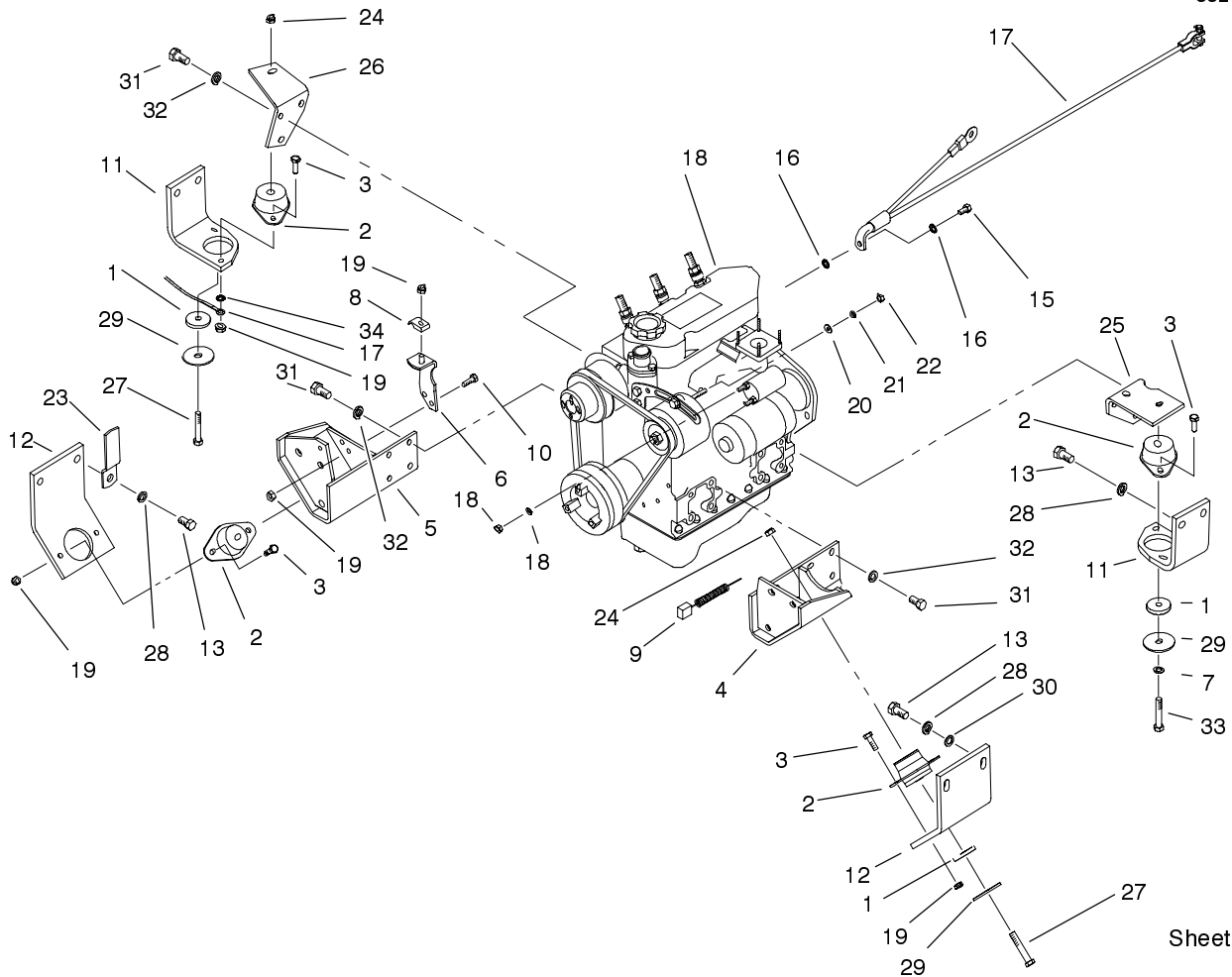


Sheet No.:A6
T-3514

Gear Pump Assembly No. 98-9796

| Ref. No. | Part No. | Qty. | Description |
|----------|----------|------|------------------------|
| 4 | 93-4278 | 4 | Dowel Pins |
| 9 | 93-4280 | 2 | Coupling |
| 13 | 93-4279 | 2 | Distance Plate |
| 17 | 93-4283 | 4 | Bolt |
| 18 | 93-4282 | 1 | Valve Block |
| 19 | 93-4277 | 1 | Valve Kit |
| 22 | 93-4281 | 4 | Dowel Pins |
| 23 | 93-4268 | 1 | Flange Kit |
| 24 | 98-9798 | 1 | Kit-Housing, Section 1 |
| 25 | 98-9797 | 1 | Kit-Housing, Section 2 |
| 26 | 98-9799 | 1 | Kit-Housing, Section 3 |
| 27 | 99-8353 | 1 | Kit-Individual Pieces |

| Ref. No. | Part No. | Qty. | Description |
|----------|----------|------|-------------|
| | | | |
| | | | |
| | | | |
| | | | |
| | | | |
| | | | |
| | | | |
| | | | |
| | | | |
| | | | |

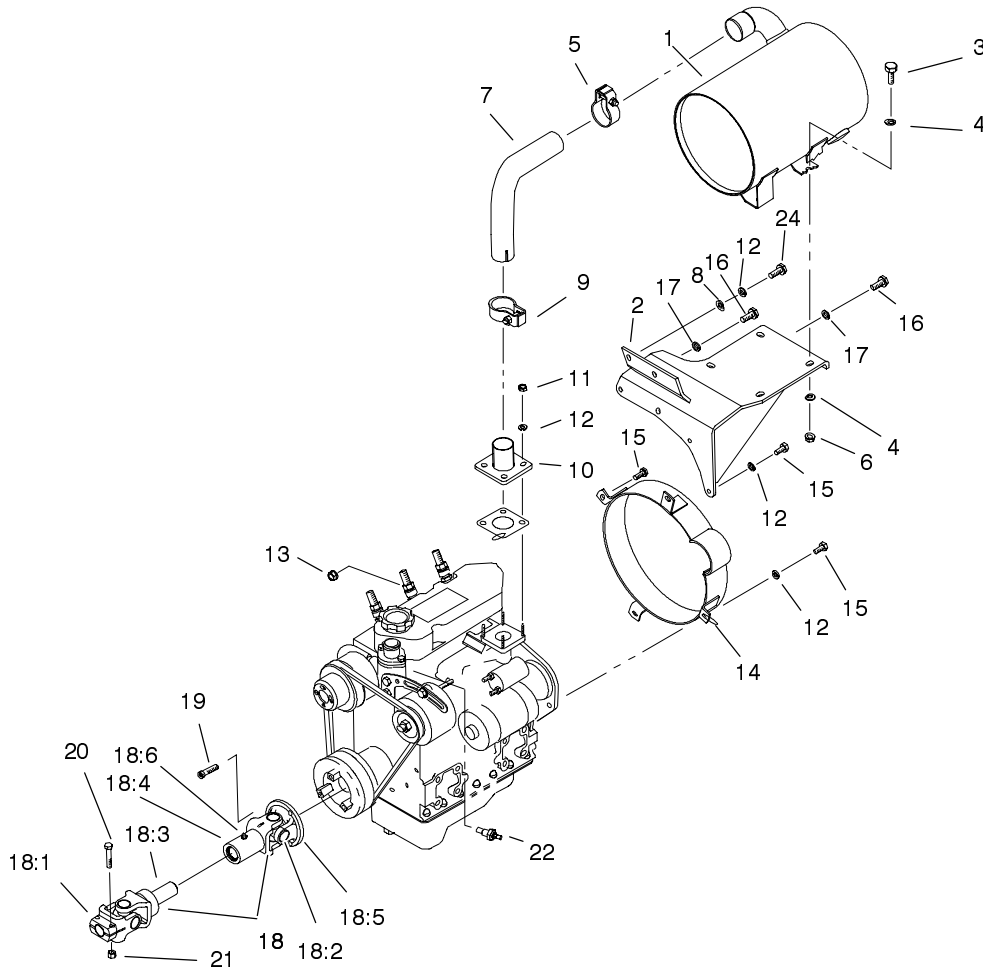


Sheet No.:14

Engine Installation Assembly

| Ref. No. | Part No. | Qty. | Description |
|----------|------------|------|------------------------------|
| 1 | 83-1050 | 4 | Spacer |
| 2 | 83-1030 | 4 | Mount-Engine |
| 3 | 322-5 | 8 | Screw-HH |
| 4 | 98-4539-03 | 1 | Bracket-Engine Mount, LH |
| 5 | 98-4543-03 | 1 | Bracket-Engine Mount, RH |
| 6 | 98-9749 | 1 | Plate - Throttle |
| 7 | 3253-21 | 1 | Washer-Lock |
| 8 | 3-6657 | 1 | Clip-Skid |
| 9 | 99-3441 | 1 | Harness - Wire, Fusible Link |
| 10 | 322-4 | 2 | Screw-HH |
| 11 | 98-4513-03 | 2 | Bracket-Engine, Rear |
| 12 | 93-0095-03 | 2 | Bracket-Engine, Front |
| 13 | 3213-2 | 8 | Screw-HH |
| 15 | 98-9322 | 1 | Bolt-HH, Metric |
| 16 | 3255-9 | 2 | Washer-Lock/Ext |
| 17 | 98-4598 | 1 | Cable-Battery, Negative |
| 18 | 42-9850 | 1 | Washer-Lock, Spring |
| 18 | 99-8981 | 1 | Engine-Kubota, Turbo |
| 18 | 57-6390 | 1 | Nut-Jam |
| 19 | 3296-29 | 11 | Nut-Lock |
| 20 | 3256-78 | 1 | Washer-Flat |
| 21 | 43-5930 | 1 | Washer-Spring |

| Ref. No. | Part No. | Qty. | Description |
|----------|------------|------|-------------------------|
| 22 | 48-7890 | 1 | Nut |
| 23 | 98-4594 | 1 | Clamp - Retainer |
| 24 | 32128-36 | 3 | Nut-HF |
| 25 | 98-4515-03 | 1 | Bracket-Rear Engine, LH |
| 26 | 98-4514-03 | 1 | Bracket-Rear Engine, RH |
| 27 | 323-12 | 3 | Screw-HH |
| 28 | 3253-7 | 8 | Washer-Lock |
| 29 | 87-5100 | 4 | Washer - Snubbing |
| 30 | 3256-40 | 4 | Washer-Flat |
| 31 | 43-0090 | 14 | Screw-HH |
| 32 | 42-9600 | 14 | Lockwasher-Spring |
| 33 | 323-10 | 1 | Screw-HH |
| 34 | 3255-8 | 1 | Washer-Lock/Ext |

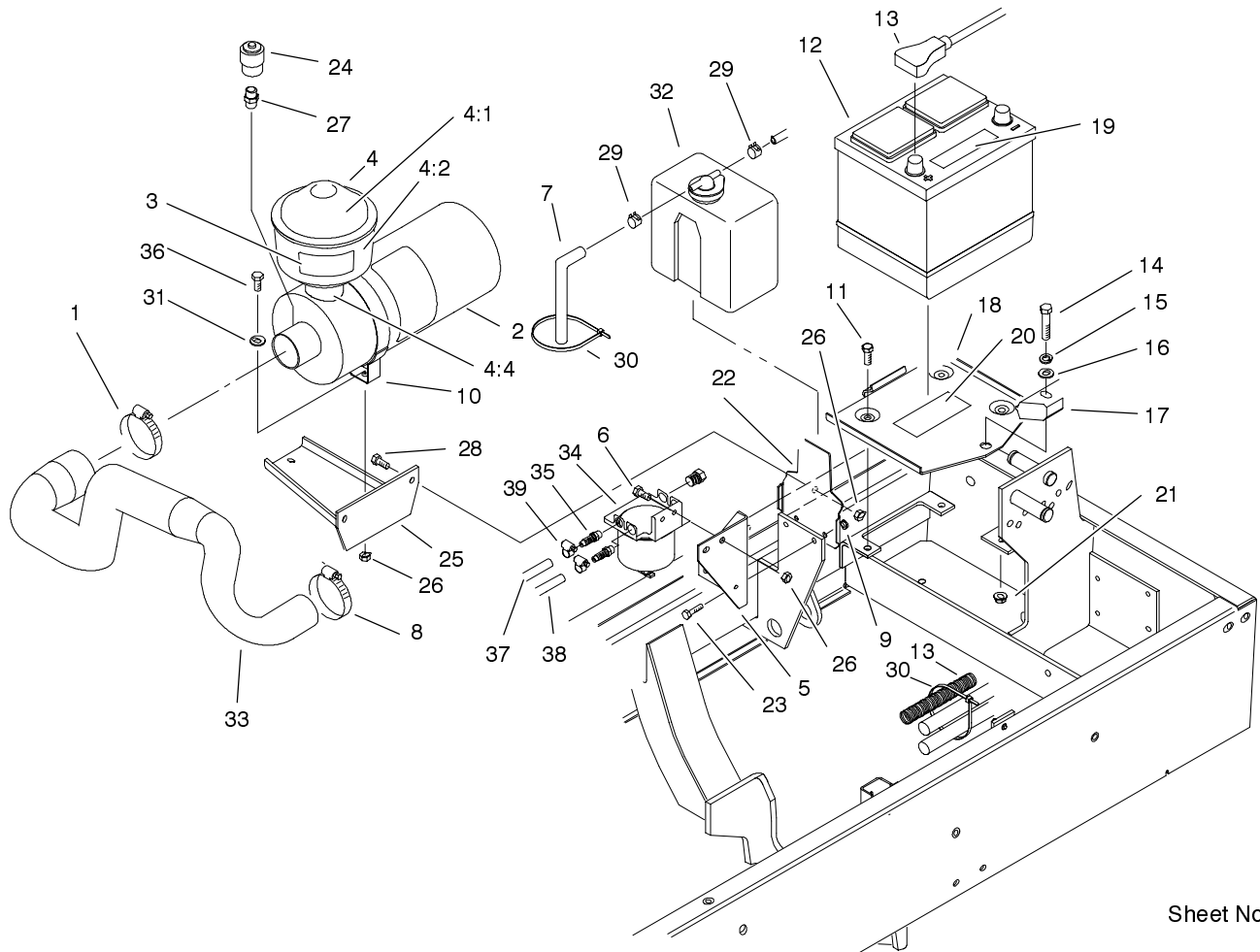


Sheet No.:15

Muffler and Pump Drive Assembly

| Ref. No. | Part No. | Qty. | Description |
|----------|------------|------|------------------------|
| 1 | 98-9794 | 1 | Muffler - Exhaust |
| 2 | 98-4555-03 | 1 | Bracket-Muffler |
| 3 | 323-7 | 4 | Screw-HH |
| 4 | 3256-4 | 8 | Washer-Flat |
| 5 | 98-9310 | 1 | Clamp - Muffler |
| 6 | 3296-39 | 4 | Nut-Lock, NI |
| 7 | 98-4524 | 1 | Tube-Exhaust |
| 8 | 3256-23 | 2 | Washer-Flat |
| 9 | 98-9309 | 1 | Clamp - Muffler |
| 10 | 98-4527 | 1 | Pipe-Exhaust, Engine |
| 11 | 33014-00 | 4 | Nut-Hex |
| 12 | 42-9850 | 10 | Washer-Lock, Spring |
| 13 | 33024-00 | 1 | Nut-Lock |
| 14 | 98-4564-03 | 1 | Guard - Flywheel, |
| 15 | 33114-025 | 5 | Screw-HH |
| 16 | 43-0090 | 2 | Screw-HH |
| 17 | 42-9600 | 2 | Lockwasher-Spring |
| 18 | 98-4593 | 1 | Driveshaft ASM |
| 18:1 | 98-9768 | 1 | Yoke |
| 18:2 | 98-9766 | 2 | Kit - Universal Joint |
| 18:3 | 98-9765 | 1 | Yoke & Shaft |
| 18:4 | 98-9767 | 1 | Tube - Yoke Series 6 |
| 18:5 | 98-9769 | 1 | Flange - Yoke Series 6 |
| 18:6 | 302-5 | 3 | Fitting-Grease |
| 19 | 98-9322 | 3 | Bolt-HH, Metric |

| Ref. No. | Part No. | Qty. | Description |
|----------|-----------|------|----------------------|
| 20 | 322-9 | 2 | Screw-HH |
| 21 | 3296-29 | 2 | Nut-Lock |
| 22 | 98-9346 | 1 | Sender - Temperature |
| 24 | 33114-020 | 2 | Screw-HH |

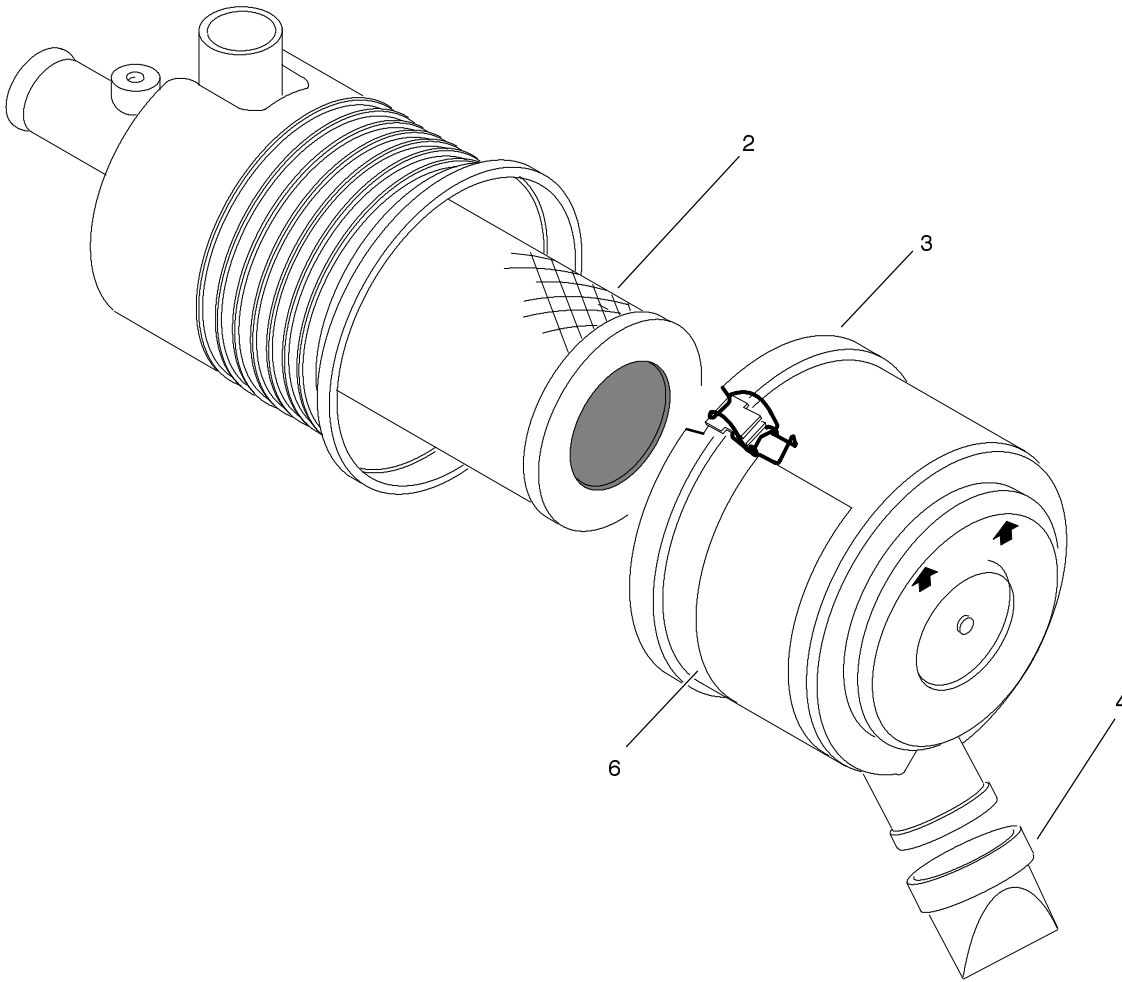


Sheet No.:16

Engine Components Assembly

| Ref. No. | Part No. | Qty. | Description | Ref. No. | Part No. | Qty. | Description |
|----------|------------|------|-------------------------|----------|------------|------|--------------------------|
| 1 | 2412-42 | 1 | Clamp-Hose | 22 | 98-4576-03 | 1 | Bracket-Reservoir, Water |
| 2 | 98-4517 | 1 | Air Cleaner ASM | 23 | 321-5 | 2 | Screw-HH |
| 3 | 93-6692 | 1 | Decal-Fluid, Starting | 24 | 93-9164 | 1 | Indicator - Mini |
| 4 | 48-7430 | 1 | Precleaner | 25 | 98-4518-03 | 1 | Bracket-Cleaner, Air |
| 4:1 | 33-1260 | 1 | Cover ASM | 26 | 3296-29 | 6 | Nut-Lock |
| 4:2 | 33-1270 | 1 | Bowl-Clear | 27 | 94-1416 | 1 | Adapter-Indicator ASM |
| *4:3 | 62-6300 | 1 | Sleeve ASM | 28 | 322-5 | 2 | Screw-HH |
| 4:4 | 94-6873 | 1 | Clamp | 29 | 92-2379 | 2 | Clamp-Hose |
| 5 | 98-4578-03 | 1 | Bracket-Filter, Fuel | 30 | 3290-378 | 2 | Tie-Cable |
| 6 | 3234-29 | 2 | Screw-HHF | 31 | 3256-23 | 2 | Washer-Flat |
| 7 | 63-7630 | 1 | Hose | 32 | 98-9323 | 1 | Bottle-Overflow, Water |
| 8 | 2412-92 | 1 | Clamp-Hose | 33 | 98-4509 | 1 | Hose - Air Cleaner |
| 9 | 32128-33 | 2 | Nut-HF | 34 | 98-9305 | 1 | Filter-Water/Fuel |
| 10 | 98-4525 | 1 | Bracket-Cleaner, Air | 35 | 353-783 | 2 | Fitting-Pump |
| 11 | 322-4 | 3 | Screw-HH | 36 | 322-6 | 2 | Screw-HH |
| 12 | 66-2750 | 1 | Battery | 37 | 71-3381 | 1 | Hose-Fuel |
| 13 | 104-0086 | 1 | Cable-Battery, Positive | 38 | 95-4275 | 1 | Hose - Fuel |
| 14 | 323-9 | 1 | Screw-HH | 39 | 2412-108 | 4 | Clamp-Worm |
| 15 | 3253-21 | 1 | Washer-Lock | *99 | 3290-379 | 1 | Tie-Cable |
| 16 | 3256-24 | 1 | Washer-Flat | | | | |
| 17 | 66-2490 | 1 | Retainer-Battery | | | | |
| 18 | 94-7343 | 1 | Battery Base ASM | | | | |
| 19 | 93-6668 | 1 | Decal - Battery | | | | |
| 20 | 93-7276 | 1 | Decal-Danger | | | | |
| 21 | 32128-20 | 1 | Nut-HF | | | | |

* Not illustrated

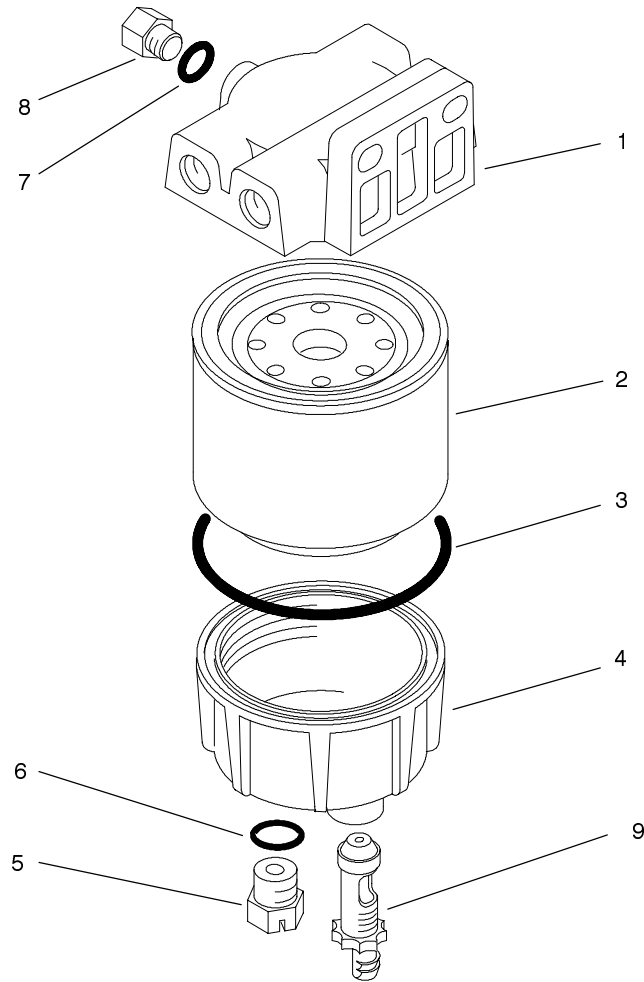


Sheet No.:B2
T-2903

Air Cleaner Assembly No. 98-4517

| Ref. No. | Part No. | Qty. | Description |
|----------|----------|------|---------------------|
| 2 | 98-9763 | 1 | Element ASM |
| 3 | 98-9771 | 1 | Cover ASM |
| 4 | 94-1414 | 1 | Valve-Vacuator |
| 6 | 98-9788 | 1 | Decal - Instruction |

| Ref. No. | Part No. | Qty. | Description |
|----------|----------|------|-------------|
| | | | |
| | | | |
| | | | |
| | | | |

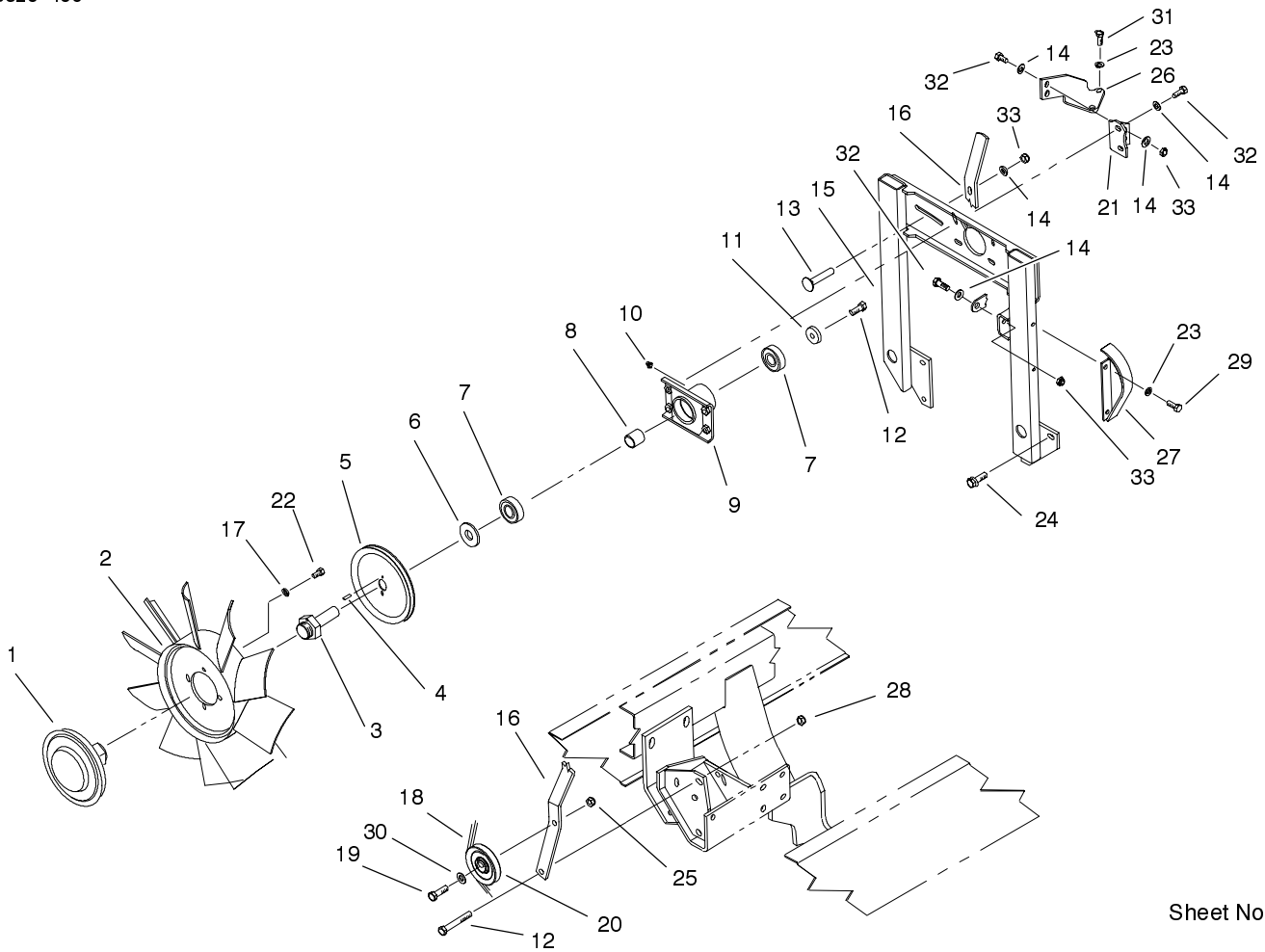


Sheet No.:B3
T-3330

Water/Fuel Separator Assembly No. 98-9305

| Ref. No. | Part No. | Qty. | Description |
|----------|----------|------|---------------------|
| 1 | 98-9772 | 1 | Head - Filter |
| 2 | 98-9764 | 1 | Element-On, Spin |
| 3 | 98-9774 | 1 | O-Ring-Base, Filter |
| 4 | 98-9775 | 1 | Base - Filter |
| 5 | 98-9773 | 1 | Plug - Base, Filter |
| 6 | 237-42 | 1 | O-Ring |
| 7 | 237-78 | 1 | O-Ring |
| 8 | 98-9776 | 1 | Plug-Filter, Head |
| 9 | 98-9777 | 1 | Drain Valve ASM |

| Ref. No. | Part No. | Qty. | Description |
|----------|----------|------|-------------|
| | | | |
| | | | |
| | | | |
| | | | |
| | | | |
| | | | |
| | | | |
| | | | |
| | | | |
| | | | |

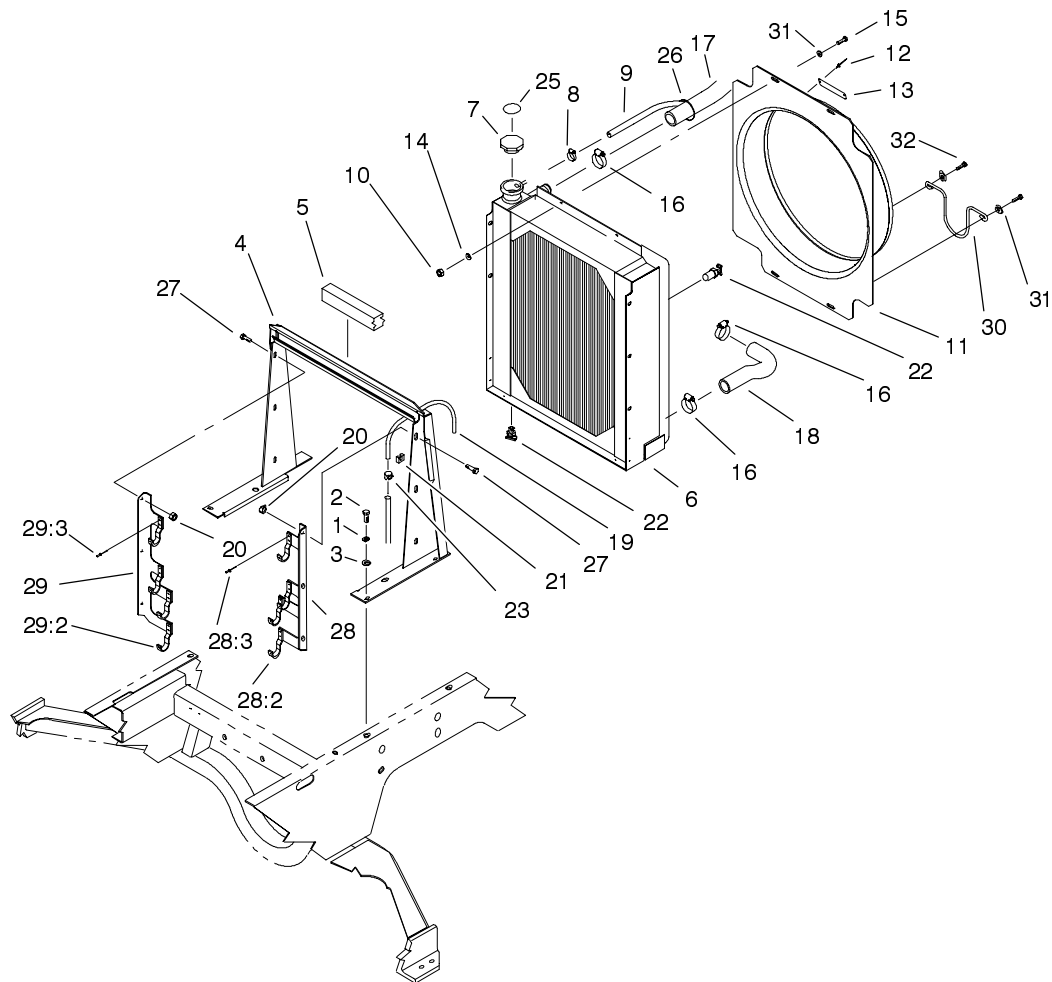


Sheet No.:17

Fan Drive Assembly

| Ref. No. | Part No. | Qty. | Description |
|----------|------------|------|------------------------|
| 1 | 74-5520 | 1 | Clutch - Fan |
| 2 | 75-3780 | 1 | Fan-Engine |
| 3 | 75-6380 | 1 | Shaft - Fan |
| 4 | 104-9312 | 2 | Pin-Grooved |
| 5 | 98-9743 | 1 | Pulley - Drive, Fan |
| 6 | 104-9259 | 1 | Washer-Thrust |
| 7 | 251-318 | 2 | Bearing |
| 8 | 104-0001 | 1 | Spacer |
| 9 | 75-4450-03 | 1 | Hub |
| 10 | 302-2 | 1 | Fitting-Grease |
| 11 | 67-1630 | 1 | Spacer |
| 12 | 323-6 | 2 | Screw-HH |
| 13 | 3230-2 | 1 | Screw-CARR |
| 14 | 3256-23 | 9 | Washer-Flat |
| 15 | 98-4530-03 | 1 | Support-Fan |
| 16 | 98-4575-03 | 1 | Lever-Idler, Fan |
| 17 | 3253-4 | 4 | Washer-Lock |
| 18 | 98-9744 | 1 | Belt - Fan |
| 19 | 323-8 | 1 | Screw-HH |
| 20 | 63-8140 | 1 | Pulley-Idler |
| 21 | 98-9740 | 1 | Bracket - Fan, Support |
| 22 | 322-2 | 4 | Screw-HH |
| 23 | 42-9850 | 4 | Washer-Lock, Spring |
| 24 | 3234-29 | 6 | Screw-HHF |
| 25 | 3296-59 | 1 | Nut-Lock NI |

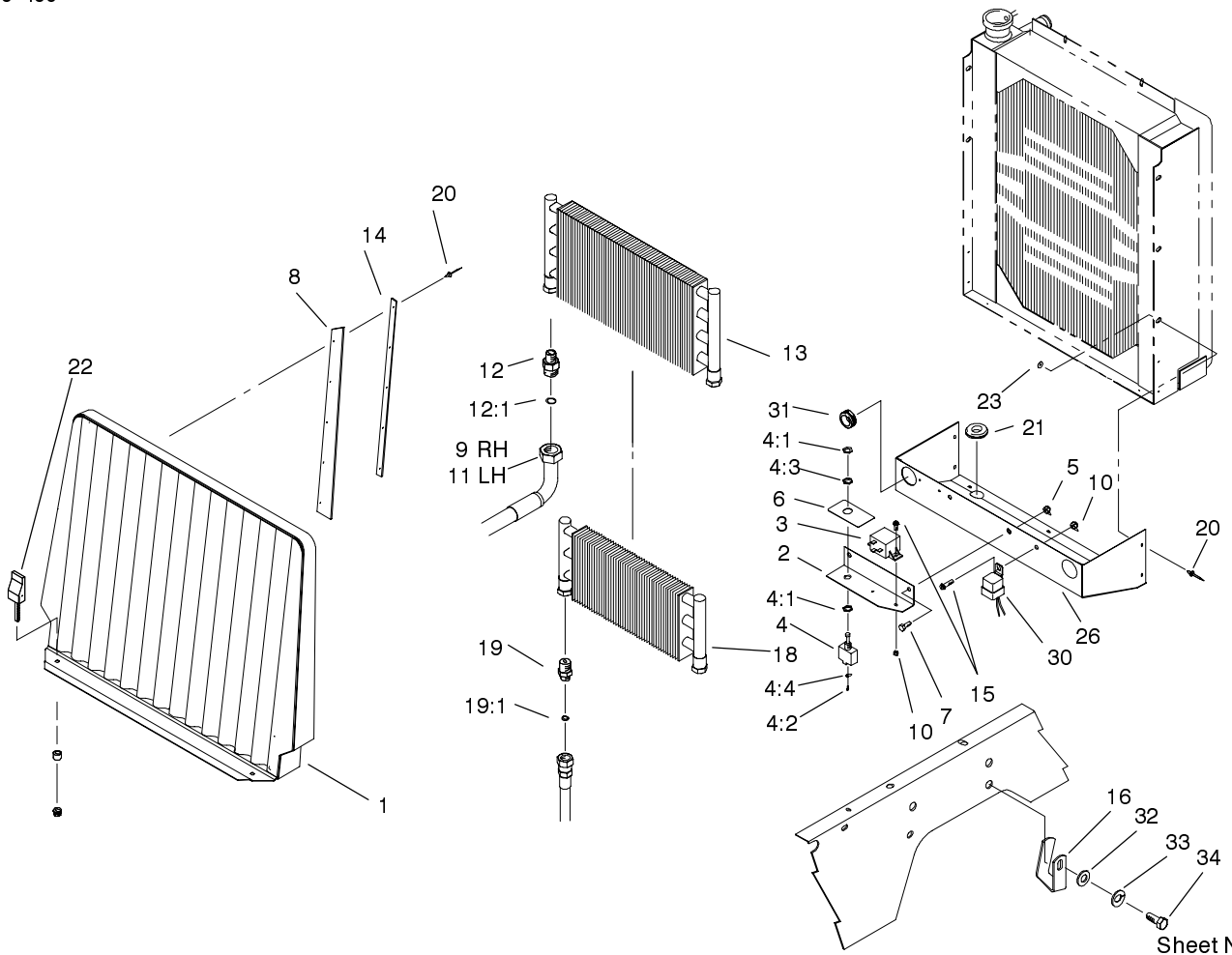
| Ref. No. | Part No. | Qty. | Description |
|----------|------------|------|----------------------|
| 26 | 98-9741 | 1 | Bracket - Mount, Fan |
| 27 | 98-4561-03 | 1 | Shield-Alternator |
| 28 | 3296-39 | 1 | Nut-Lock, NI |
| 29 | 32144-14 | 2 | Screw-HWH |
| 30 | 3256-24 | 1 | Washer-Flat |
| 31 | 33114-016 | 2 | Screw-HH |
| 32 | 322-4 | 7 | Screw-HH |
| 33 | 3296-29 | 4 | Nut-Lock |



Sheet No.:18

Radiator Assembly

| Ref. No. | Part No. | Qty. | Description | Ref. No. | Part No. | Qty. | Description |
|----------|------------|------|-----------------------------|----------|----------|------|---------------------|
| 1 | 3253-4 | 4 | Washer-Lock | 25 | 93-7840 | 1 | Decal-Cap, Radiator |
| 2 | 322-5 | 4 | Screw-HH | 26 | 3290-379 | 1 | Tie-Cable |
| 3 | 3256-23 | 4 | Washer-Flat | 27 | 3234-5 | 6 | Screw-HHF |
| 4 | 98-9317-03 | 1 | Support-Radiator | 28 | 99-6991 | 1 | LH Cooler Mount ASM |
| 5 | 93-0005 | 1 | Strip-Foam, Radiator Top | 28:2 | 75-0930 | 4 | Hook - Cooler Mount |
| 6 | 98-4507 | 1 | Radiator | 28:3 | 3269-15 | 8 | Rivet |
| 7 | 66-3240 | 1 | Cap-Radiator | 29 | 99-6994 | 1 | RH Cooler Mount ASM |
| 8 | 92-2379 | 1 | Clamp-Hose | 29:2 | 75-0930 | 4 | Hook - Cooler Mount |
| 9 | 75-2851 | 1 | Hose - Expansion Tank | 29:3 | 3269-15 | 8 | Rivet |
| 10 | 3296-42 | 4 | Nut-Lock NI | 30 | 104-1448 | 1 | Hoop-Driveline |
| 11 | 98-4571 | 1 | Shroud - Fan | 31 | 3256-55 | 4 | Washer-Flat |
| 12 | 3290-271 | 2 | Rivet-Pop | 32 | 321-6 | 2 | Screw-HH |
| 13 | 98-9335 | 1 | Plate-Warning, Fan | | | | |
| 14 | 3256-22 | 4 | Washer-Flat | | | | |
| 15 | 321-4 | 2 | Screw-HH | | | | |
| 16 | 2412-34 | 4 | Clamp-Hose | | | | |
| 17 | 98-4511 | 1 | Hose-Radiator, Upper | | | | |
| 18 | 98-4508 | 1 | Hose - Radiator, Lower | | | | |
| 19 | 66-3180 | 1 | Tube-Vent | | | | |
| 20 | 32128-20 | 6 | Nut-HF | | | | |
| 21 | 2412-103 | 1 | Clamp | | | | |
| 22 | 304-46 | 1 | Draincock | | | | |
| 23 | 2412-98 | 1 | Clamp | | | | |

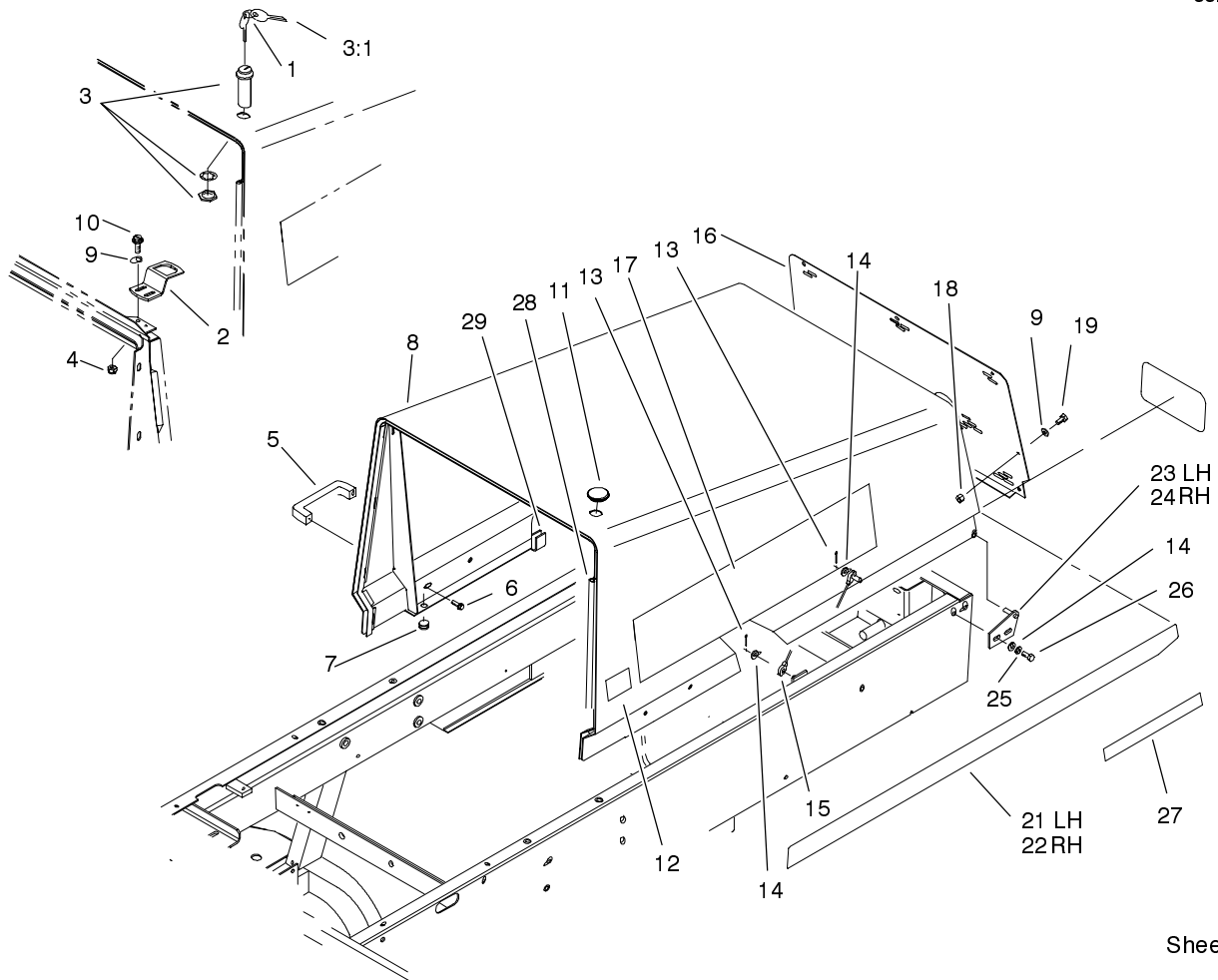


Sheet No.:19

Oil Cooler/Radiator Assembly

| Ref. No. | Part No. | Qty. | Description |
|----------|------------|------|-------------------------|
| 1 | 93-0032-03 | 1 | Housing-Screen, Front |
| 2 | 75-3390-03 | 1 | Bracket-Backlap |
| 3 | 66-8800 | 1 | Relay |
| 4 | 99-8352 | 1 | Switch-Backlap, Master |
| 4:1 | 218-498 | 2 | Locknut-Hex |
| 4:2 | 218-588 | 3 | Screw |
| 4:3 | 218-589 | 1 | Washer |
| 4:4 | 3253-19 | 3 | Washer-Lock/Sp |
| 5 | 3296-29 | 2 | Nut-Lock |
| 6 | 93-6684 | 1 | Decal - Backlap |
| 7 | 322-2 | 2 | Screw-HH |
| 8 | 93-3623 | 2 | Strip-Sealing, Radiator |
| 9 | 93-0077 | 1 | Hose ASM |
| 10 | 3296-42 | 3 | Nut-Lock NI |
| 11 | 93-0078 | 1 | Hose ASM |
| 12 | 92-4999 | 2 | Fitting |
| 12:1 | 237-65 | 1 | O-Ring |
| 13 | 75-1040 | 1 | Cooler-Oil |
| 14 | 93-3624-03 | 2 | Plate- Retaining |
| 15 | 321-4 | 3 | Screw-HH |
| 16 | 98-3928 | 2 | Clamp-Hose |
| 18 | 24-0760 | 1 | Cooler ASM |
| 19 | 340-124 | 2 | Adapter |

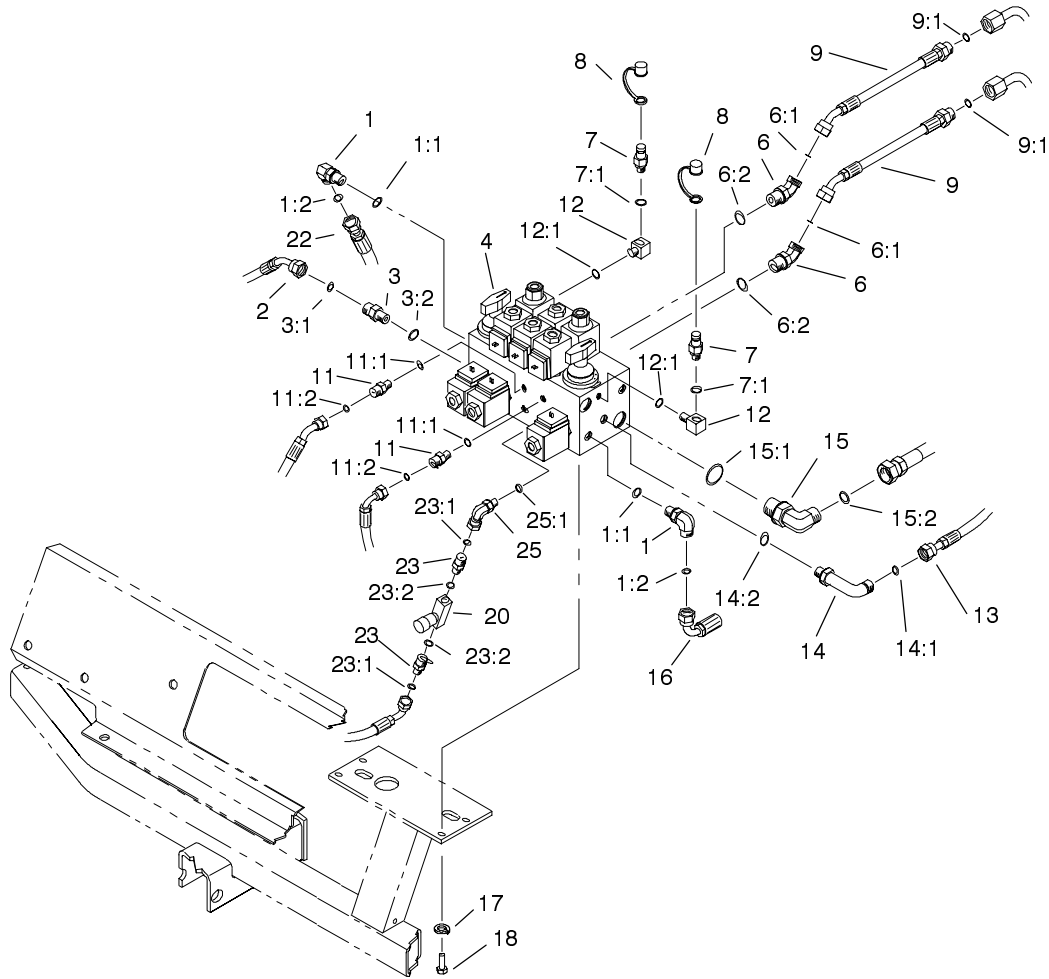
| Ref. No. | Part No. | Qty. | Description |
|----------|-------------|------|------------------------------|
| 19:1 | 237-22 | 1 | O-Ring |
| 20 | 3269-13 | 15 | Rivet-Pop |
| 21 | 100-3815 | 2 | Grommet-Rubber |
| 22 | 93-1374 | 2 | Latch - Swell |
| 23 | 3269-10 | 5 | Washer-Back |
| 26 | 104-9257-03 | 1 | Shield-Radiator |
| 30 | 70-1480 | 1 | Relay |
| 31 | 240-3 | 2 | Grommet-Rubber |
| 32 | 3256-26 | 2 | Washer-Flat (only on: 03543) |
| 33 | 3253-7 | 2 | Washer-Lock (only on: 03543) |
| 34 | 325-5 | 2 | Screw-HH (only on: 03543) |



Sheet No.:20

Hood Assembly

| Ref. No. | Part No. | Qty. | Description | Ref. No. | Part No. | Qty. | Description |
|----------|------------|------|-----------------------------|----------|----------|------|---------------------------|
| 1 | 98-9321 | 1 | Ring-Key | 25 | 3253-4 | 4 | Washer-Lock |
| 2 | 98-9316 | 1 | Latch - Hood | 26 | 322-5 | 4 | Screw-HH |
| 3 | 98-9315 | 1 | Latch - Locking | 27 | 72-3560 | 1 | Decal (only on: 03544) |
| 3:1 | 99-8350 | 2 | Key - Latch, Locking | 28 | 93-0081 | 1 | Strip-Seal |
| 4 | 3296-16 | 2 | Nut-Lock, NI | 29 | 99-8975 | 1 | Strip-Seal |
| 5 | 65-5100 | 2 | Handle-Door | | | | |
| 6 | 46-8091 | 4 | Screw-HWH | | | | |
| 7 | 237-141 | 2 | Grommet-Rubber | | | | |
| 8 | 98-9746 | 1 | Hood ASM | | | | |
| 9 | 3256-1 | 9 | Washer-Flat | | | | |
| 10 | 321-4 | 2 | Screw-HH | | | | |
| 11 | 98-9314 | 1 | Grommet | | | | |
| 12 | 93-7252 | 1 | Decal-International | | | | |
| 13 | 3272-4 | 2 | Pin-Cotter | | | | |
| 14 | 3256-23 | 6 | Washer-Flat | | | | |
| 15 | 75-0570 | 1 | Cable - Hood | | | | |
| 16 | 98-4573-03 | 1 | Screen - Hood, Rear | | | | |
| 17 | 98-4522 | 2 | Decal - Rm 5400d | | | | |
| 18 | 3296-42 | 7 | Nut-Lock NI | | | | |
| 19 | 321-39 | 7 | Screw-HH | | | | |
| 21 | 92-5751 | 1 | Decal - Hood, LH | | | | |
| 22 | 92-5752 | 1 | Decal - Hood, RH | | | | |
| 23 | 63-6900-01 | 1 | Hood Hinge Plate ASM, LH | | | | |
| 24 | 63-6890-01 | 1 | Hood Hinge Plate ASM, RH | | | | |



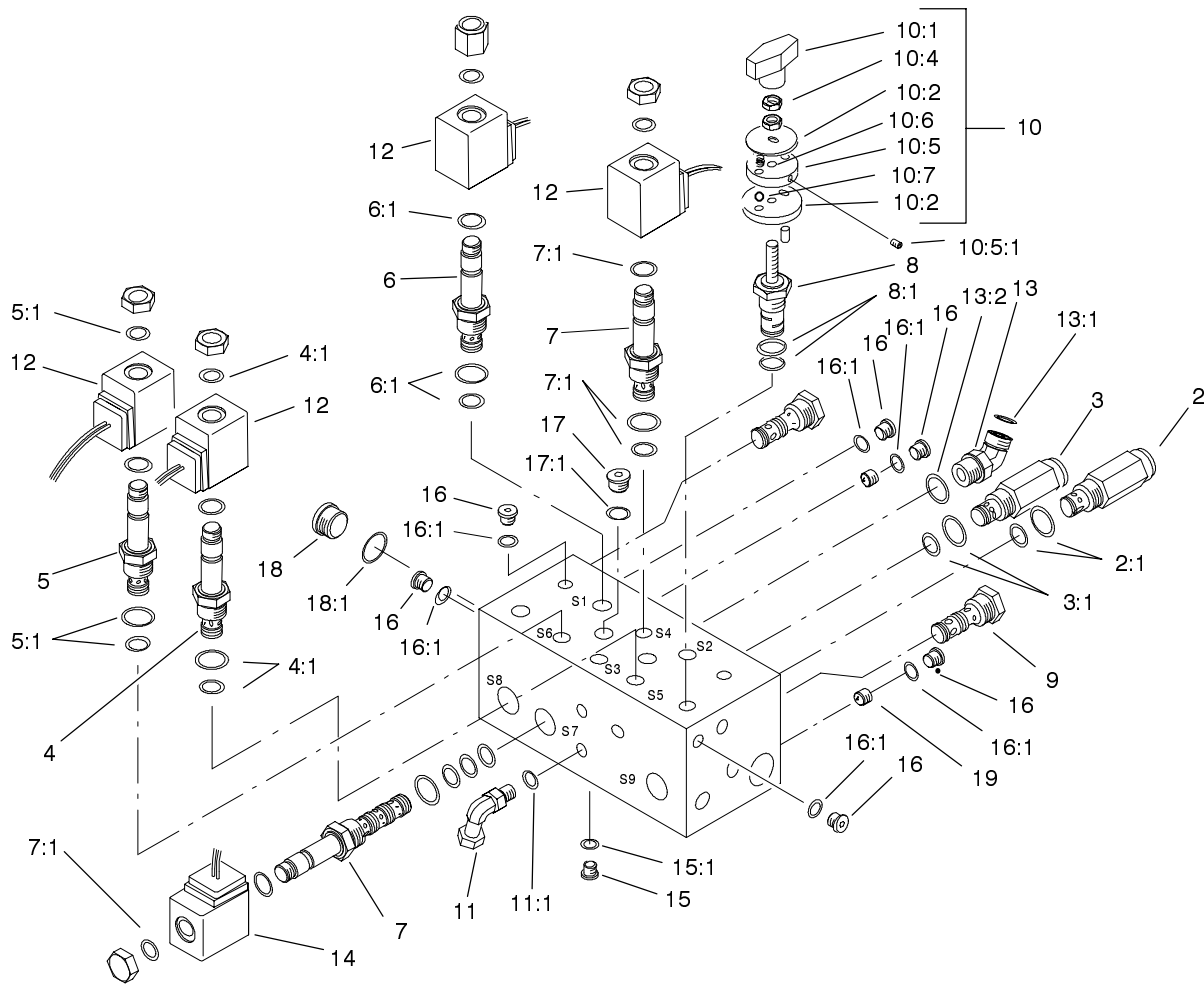
Sheet No.:21

Hydraulic Control Block and Hoses Assembly

| Ref. No. | Part No. | Qty. | Description |
|----------|----------|------|---------------------------|
| 1 | 340-98 | 2 | Fitting-HYD,90 DEG |
| 1:1 | 237-79 | 2 | O-Ring |
| 1:2 | 237-30 | 2 | O-Ring |
| 2 | 100-3879 | 1 | Hose ASM-HYD |
| 3 | 340-4 | 1 | Adapter |
| 3:1 | 237-30 | 1 | O-Ring |
| 3:2 | 237-79 | 1 | O-Ring |
| 4 | 98-4579 | 1 | Hydraulic Manifold ASM |
| 6 | 340-101 | 2 | Fitting-HYD, 90 DEG |
| 6:1 | 237-30 | 2 | O-Ring |
| 6:2 | 237-79 | 2 | O-Ring |
| 7 | 354-77 | 2 | Fitting-Quick |
| 7:1 | 237-78 | 2 | O-Ring |
| 8 | 354-79 | 2 | Cap - Fitting, Yellow |
| 9 | 86-9190 | 2 | Hose |
| 9:1 | 237-30 | 1 | O-Ring |
| 11 | 340-92 | 2 | Fitting |
| 11:1 | 237-78 | 1 | O-Ring |
| 11:2 | 237-21 | 1 | O-Ring |
| 12 | 75-6640 | 2 | Fitting - Special |
| 12:1 | 237-78 | 2 | O-Ring |
| 13 | 98-9348 | 1 | Hydraulic Hose ASM |
| 14 | 98-9781 | 1 | Fitting - 90 DEG, Orfs |
| 14:1 | 237-30 | 1 | O-Ring |
| 14:2 | 237-79 | 1 | O-Ring |

| Ref. No. | Part No. | Qty. | Description |
|----------|----------|------|--------------------------|
| 15 | 340-139 | 1 | Fitting-HYD, 90 DEG |
| 15:1 | 237-81 | 1 | O-Ring |
| 15:2 | 237-65 | 1 | O-Ring |
| 16 | 98-9347 | 1 | Hydraulic Hose ASM |
| 17 | 3253-4 | 4 | Washer-Lock |
| 18 | 322-3 | 4 | Screw-HH |
| 20 | 98-9742 | 1 | Valve-Control, Flow |
| 22 | 100-3878 | 1 | Hydraulic Hose ASM |
| 23 | 340-1 | 2 | Adapter |
| 23:1 | 237-35 | 1 | O-Ring |
| 23:2 | 237-42 | 1 | O-Ring |
| *24 | 3290-378 | 1 | Tie-Cable |
| 25 | 340-143 | 1 | Elbow - 90 DEG Swivel |
| 25:1 | 237-78 | 1 | O-Ring |

* Not illustrated



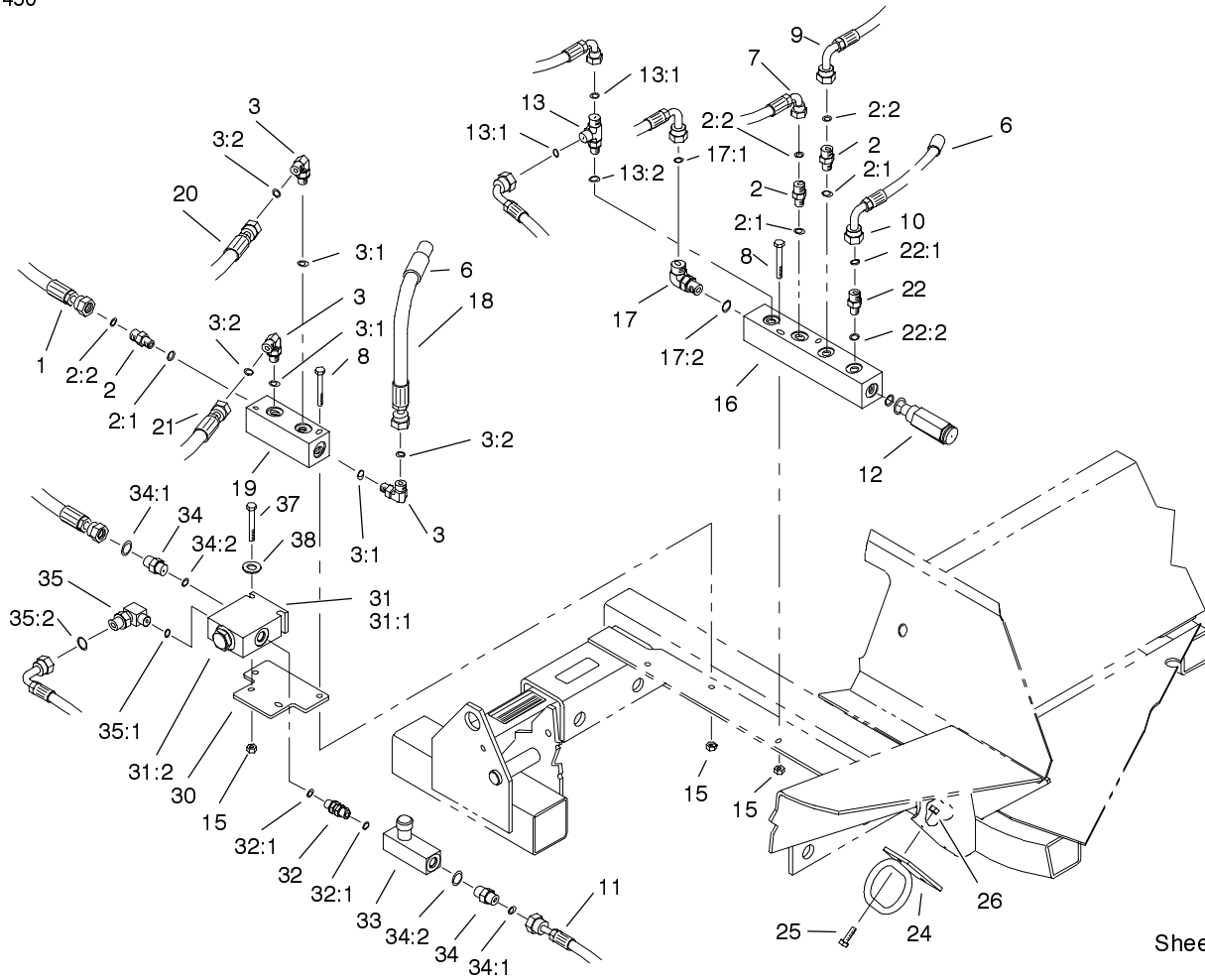
Sheet No.:B4
T-1503

Hydraulic Manifold Assembly No. 98-4579

| Ref. No. | Part No. | Qty. | Description |
|----------|----------|------|------------------------|
| 2 | 75-2010 | 1 | Cartridge - Relief Da |
| 2:1 | 95-5645 | 1 | Seal Kit |
| 3 | 75-0920 | 1 | Cartridge-Relief |
| 3:1 | 95-5645 | 1 | Seal Kit |
| 4 | 94-2685 | 3 | Cartridge - N.c. Spool |
| 4:1 | 95-5645 | 1 | Seal Kit |
| 5 | 92-6315 | 1 | Cartridge-N.c. Poppet |
| 5:1 | 69-4230 | 1 | Kit-Seal |
| 6 | 88-7020 | 2 | Cartridge-N.o. Spool |
| 6:1 | 95-5645 | 1 | Seal Kit |
| 7 | 88-6960 | 3 | Cartridge-4w/2p |
| 7:1 | 95-5642 | 1 | Seal Kit |
| 8 | 98-9779 | 2 | Cartridge - Flow |
| 8:1 | 95-5645 | 1 | Seal Kit |
| 9 | 69-4120 | 2 | Cartridge-Logic |
| *9:1 | 69-4240 | 1 | Kit-Seal |
| 10 | 94-3660 | 1 | Kit-Detent |
| 10:1 | 94-5020 | 1 | Knob ASM |
| 10:2 | 94-5025 | 1 | Plate - Locating |
| 10:3 | 94-5026 | 1 | Plate-Indicator |
| 10:4 | 3218-1 | 2 | Nut-Jam |
| 10:5 | 94-5023 | 1 | Plate - Detent |
| 10:6 | 94-5027 | 2 | Spring |
| 10:7 | 255-13 | 2 | Ball-Steel, Stainless |
| 11 | 340-143 | 1 | Elbow - 90 DEG Swivel |

| Ref. No. | Part No. | Qty. | Description |
|----------|----------|------|---------------------|
| 11:1 | 237-78 | 1 | O-Ring |
| 12 | 88-9190 | 6 | Kit-Coil, Solenoid |
| 13 | 340-101 | 1 | Fitting-HYD, 90 DEG |
| 13:1 | 237-30 | 1 | O-Ring |
| 13:2 | 237-79 | 1 | O-Ring |
| 14 | 88-9200 | 3 | Solenoid Coil |
| 15 | 353-991 | 10 | Plug-Hex, Hollow |
| 15:1 | 237-156 | 1 | O-Ring |
| 16 | 353-990 | 15 | Plug |
| 16:1 | 237-78 | 1 | O-Ring |
| 17 | 353-989 | 1 | Plug-Hex, Hollow |
| 17:1 | 237-42 | 1 | O-Ring |
| 18 | 354-70 | 1 | Plug-Hex, Hollow |
| 18:1 | 237-80 | 1 | O-Ring |
| 19 | 98-9791 | 2 | Plug - Orifice |

* Not illustrated



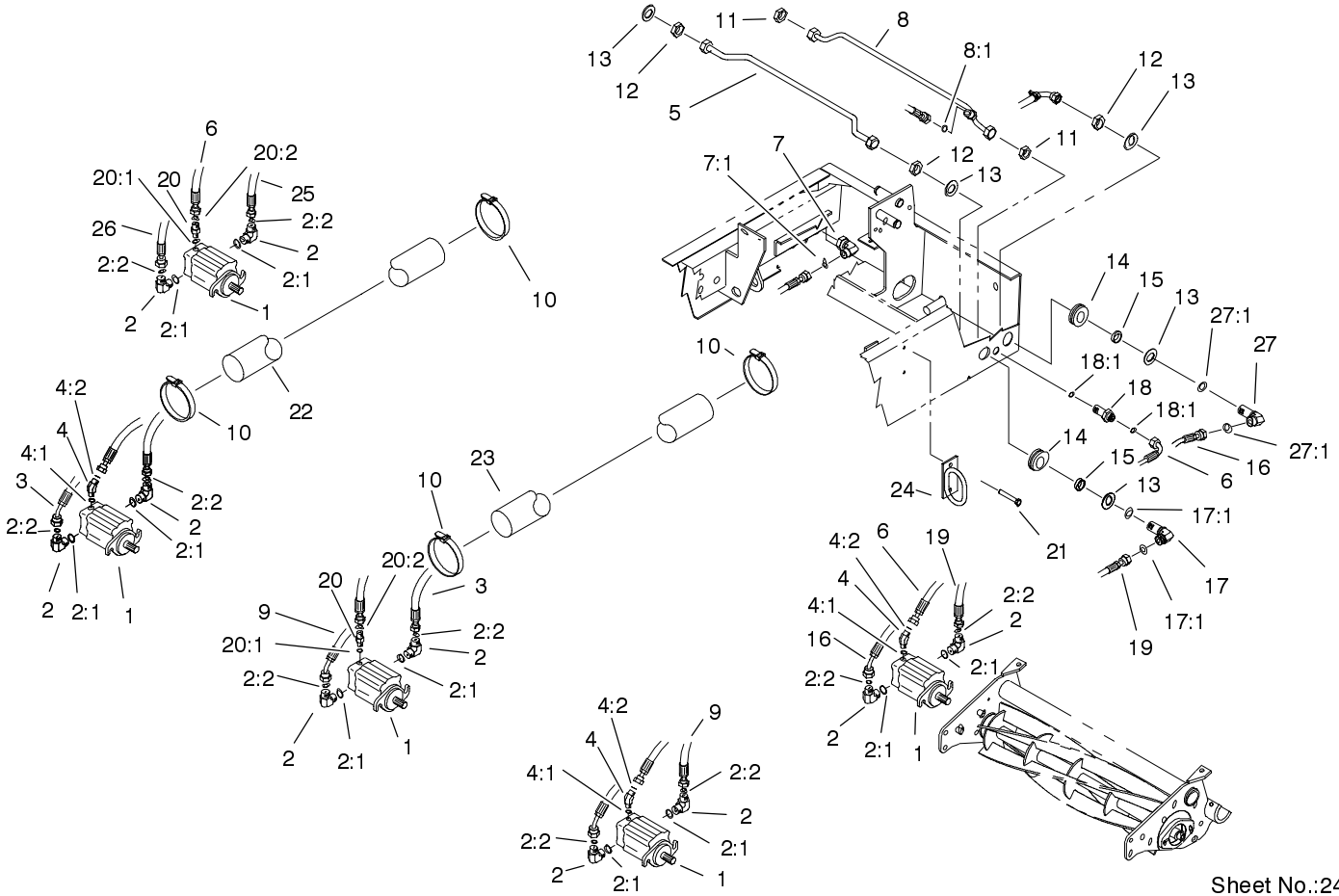
Sheet No.:22

Front Hydraulic Manifold Assembly

| Ref. No. | Part No. | Qty. | Description |
|----------|----------|------|---------------------------------|
| 1 | 98-4584 | 1 | Hydraulic Hose ASM |
| 2 | 340-92 | 3 | Fitting |
| 2:1 | 237-78 | 1 | O-Ring |
| 2:2 | 237-21 | 1 | O-Ring |
| 3 | 340-132 | 3 | Fitting-HYD, 90 DEG |
| 3:1 | 237-78 | 1 | O-Ring |
| 3:2 | 237-21 | 1 | O-Ring |
| 6 | 38-3400 | 2 | Guard-Rubber |
| 7 | 75-5910 | 1 | Hose |
| 8 | 321-18 | 4 | Screw-HH |
| 9 | 93-0118 | 1 | Hose ASM |
| 10 | 93-0119 | 1 | Hose ASM |
| 11 | 99-5643 | 1 | Hose-Hydraulic (only on: 03543) |
| 12 | 93-0143 | 1 | Cartridge-Relief, P.o. |
| 13 | 340-140 | 1 | Adapter Tee |
| 13:1 | 237-21 | 2 | O-Ring |
| 13:2 | 237-78 | 1 | O-Ring |
| 15 | 3296-42 | 6 | Nut-Lock NI |
| 16 | 93-0139 | 1 | Block-Manifold, 6 Port |
| 17 | 340-77 | 1 | Fitting-90 DEG |
| 17:1 | 237-22 | 1 | O-Ring |
| 17:2 | 237-42 | 1 | O-Ring |
| 18 | 92-9096 | 1 | Hose |
| 19 | 75-1180 | 1 | Block-Manifold, 4 Port |
| 20 | 98-4587 | 1 | Hydraulic Hose ASM |

| Ref. No. | Part No. | Qty. | Description |
|----------|----------|------|---------------------------------|
| 21 | 104-9323 | 1 | Hydraulic Hose ASM |
| 22 | 340-2 | 2 | Adapter |
| 22:1 | 237-22 | 1 | O-Ring |
| 22:2 | 237-42 | 1 | O-Ring |
| 24 | 104-0028 | 2 | Hose Guide |
| 25 | 322-5 | 4 | Screw-HH |
| 26 | 3296-29 | 4 | Nut-Lock |
| 30 | 99-5640 | 1 | Plate-Mounting (only on: 03543) |
| 31 | 99-6998 | 1 | Divider-Flow |
| 31:1 | 99-5645 | 1 | Body |
| 31:2 | 99-5646 | 1 | Cartridge |
| *31:3 | 353-989 | 1 | Plug-Hex, Hollow |
| *31:3:1 | 237-42 | 1 | O-Ring |
| *31:4 | 99-5647 | 1 | Seal Kit |
| 32 | 99-5644 | 1 | Fitting-Sae |
| 32:1 | 237-42 | 2 | O-Ring |
| 33 | 98-9742 | 1 | Valve-Control, Flow |
| 34 | 340-1 | 2 | Adapter |
| 34:1 | 237-35 | 1 | O-Ring |
| 34:2 | 237-42 | 1 | O-Ring |
| 35 | 340-82 | 1 | Adapter |
| 35:1 | 237-42 | 1 | O-Ring |
| 35:2 | 237-21 | 1 | O-Ring |
| 37 | 321-11 | 2 | Screw-HH |
| 38 | 3256-2 | 2 | Washer-Flat |

* Not illustrated



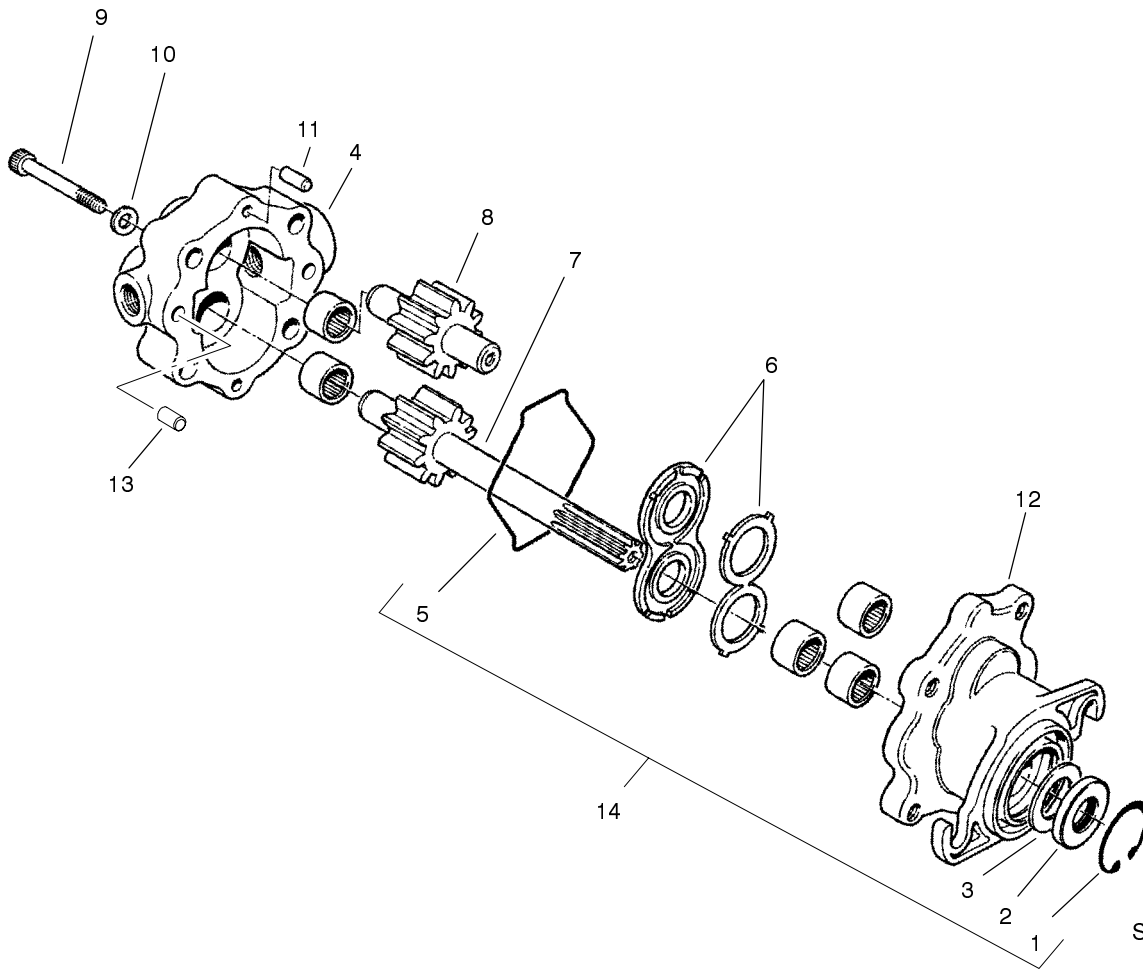
Sheet No.:24

Reel Motors Assembly

| Ref. No. | Part No. | Qty. | Description |
|----------|----------|------|----------------------------|
| 1 | 93-1375 | 5 | Motor-Reel |
| 2 | 340-98 | 10 | Fitting-HYD,90 DEG |
| 2:1 | 237-79 | 2 | O-Ring |
| 2:2 | 237-30 | 2 | O-Ring |
| 3 | 104-9322 | 1 | Hydraulic Hose ASM |
| 4 | 340-103 | 3 | Fitting |
| 4:1 | 237-78 | 1 | O-Ring |
| 4:2 | 237-21 | 1 | O-Ring |
| 5 | 94-4918 | 1 | Tube ASM |
| 6 | 98-4583 | 2 | Hydraulic Hose ASM |
| 7 | 94-6031 | 1 | Fitting-HYD |
| 7:1 | 237-30 | 1 | O-Ring |
| 8 | 100-3714 | 1 | Drain Tube ASM |
| 8:1 | 237-21 | 1 | O-Ring |
| 9 | 104-9321 | 1 | Hydraulic Hose ASM |
| 10 | 3290-379 | 10 | Tie-Cable |
| 11 | 340-70 | 2 | Locknut-Bulkhead |
| 12 | 340-127 | 4 | Nut-Bulkhead |
| 13 | 69-8930 | 8 | Washer |
| 14 | 240-5 | 4 | Grommet |
| 15 | 69-8960 | 4 | Spacer |
| 16 | 100-3876 | 1 | Hydraulic Hose ASM |
| 17 | 93-9151 | 3 | Fitting-Hydraulic |
| 17:1 | 237-30 | 2 | O-Ring |
| 18 | 340-71 | 2 | Fitting-Straight, Bulkhead |

| Ref. No. | Part No. | Qty. | Description |
|----------|----------|------|---------------------------|
| 18:1 | 237-22 | 2 | O-Ring |
| 19 | 100-3877 | 1 | Hydraulic Hose ASM |
| 20 | 340-92 | 2 | Fitting |
| 20:1 | 237-78 | 1 | O-Ring |
| 20:2 | 237-21 | 1 | O-Ring |
| 21 | 32104-32 | 4 | Screw-HH |
| 22 | 99-5648 | 4 | Sleeve-Protective |
| 23 | 99-5617 | 1 | Sleeve - Protective |
| 24 | 104-0028 | 2 | Hose Guide |
| 25 | 104-0057 | 1 | Hydraulic Hose ASM |
| 26 | 104-0069 | 1 | Hydraulic Hose ASM |
| *27 | 100-3713 | 1 | Fitting-HYD., 90 Bulkhead |
| 27:1 | 237-30 | 2 | O-Ring |

* Not illustrated

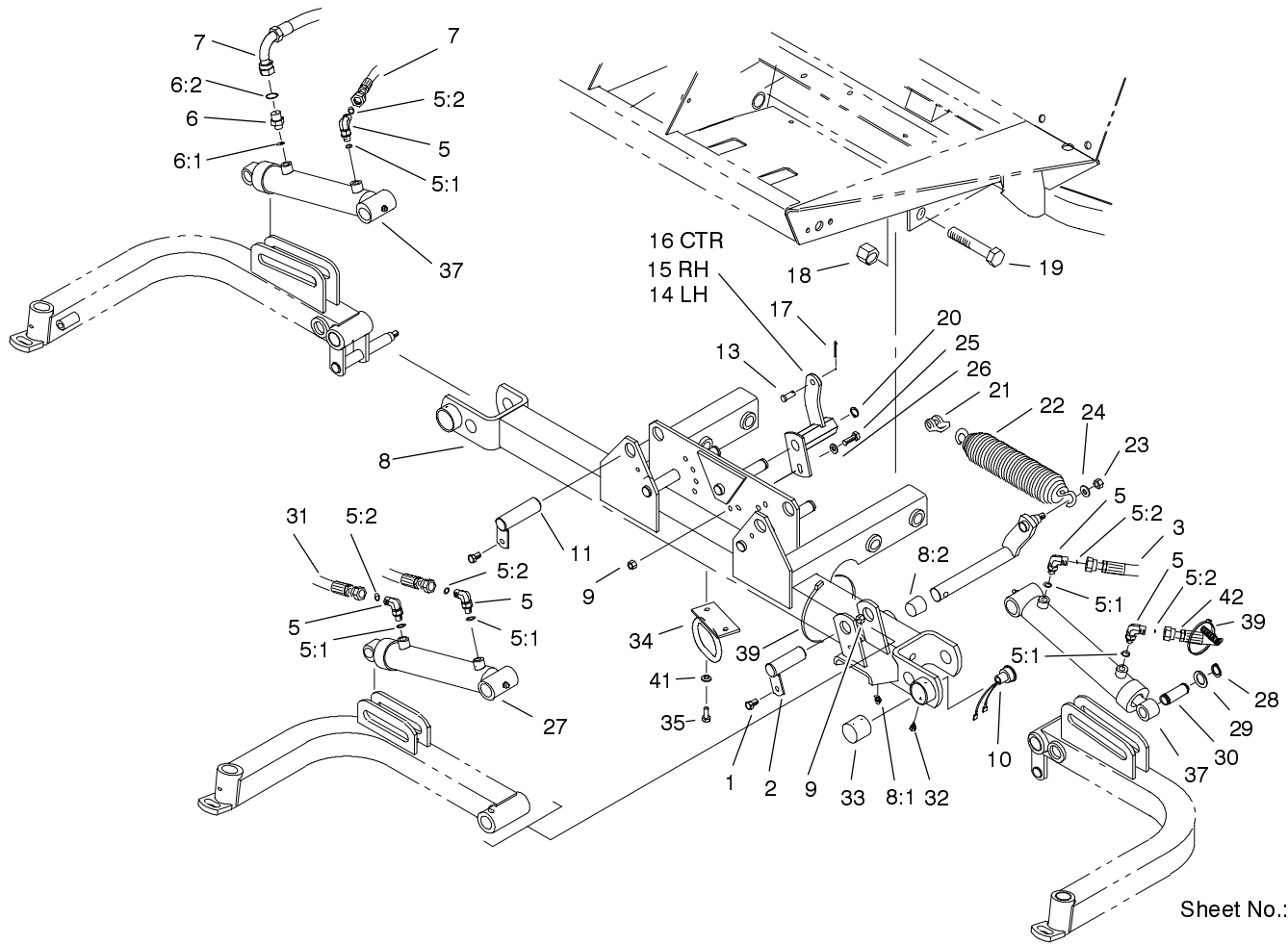


Sheet No.:B5
T-3516

Reel Motor Assembly No. 93-1375

| Ref. No. | Part No. | Qty. | Description |
|----------|----------|------|------------------------|
| 1 | 32151-41 | 2 | Ring-Snap |
| 4 | 93-3614 | 2 | Cover ASM |
| 5 | 354-46 | 2 | Ring-Seal |
| 6 | 74-3810 | 2 | Load Plate ASM |
| 7 | 93-3615 | 2 | Drive Shaft & Gear ASM |
| 8 | 93-3616 | 2 | Idler Shaft & Gear ASM |
| 9 | 354-50 | 8 | Screw-HSH |
| 10 | 354-51 | 8 | Washer |
| 11 | 353-599 | 4 | Pin-Dowel |
| 12 | 92-8795 | 2 | Body ASM |
| 13 | 92-8796 | 4 | Pin - Dowel |
| 14 | 92-8863 | 2 | Kit-Repair |

| Ref. No. | Part No. | Qty. | Description |
|----------|----------|------|-------------|
| | | | |
| | | | |
| | | | |
| | | | |
| | | | |
| | | | |
| | | | |
| | | | |
| | | | |
| | | | |

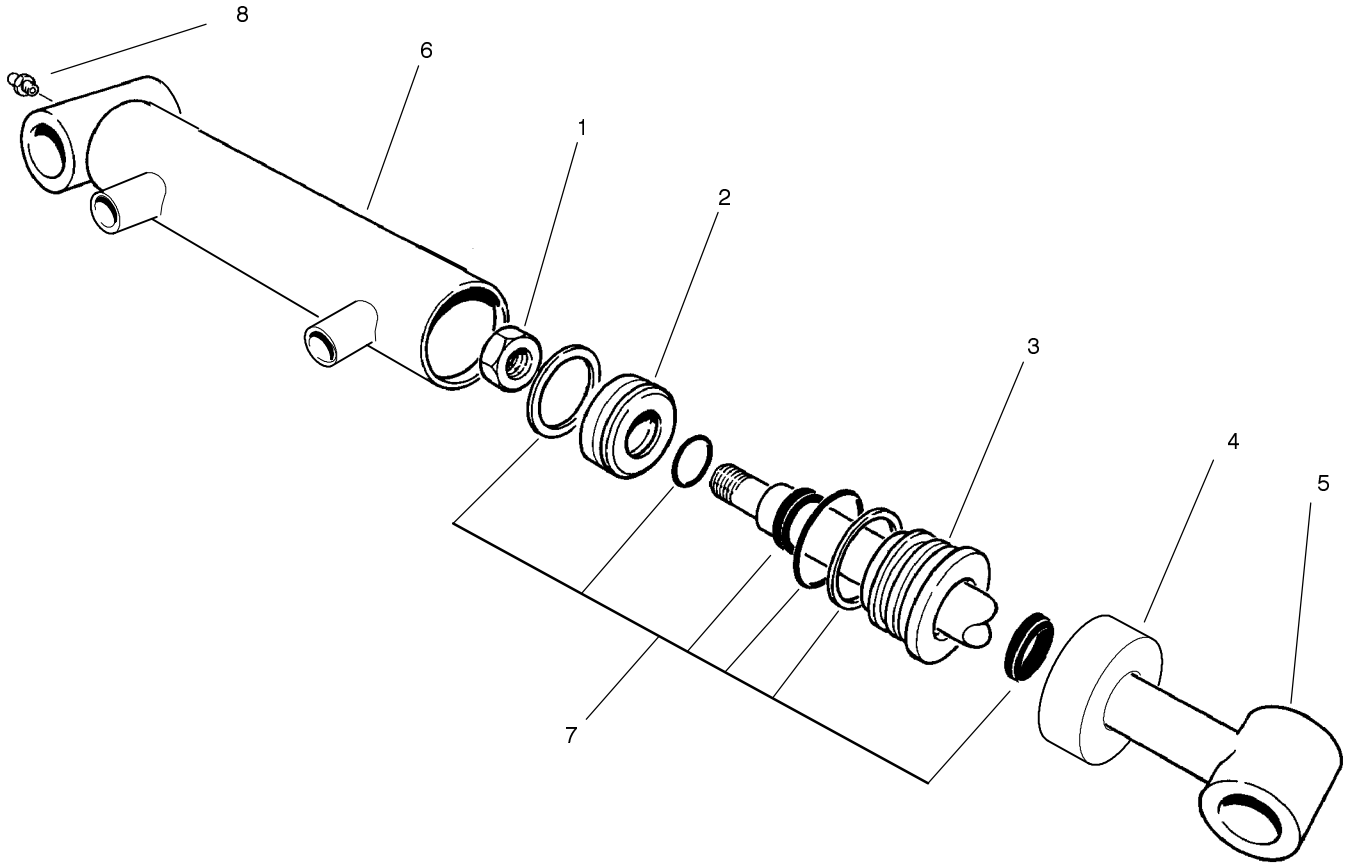


Front Lift Circuit Assembly

| Ref. No. | Part No. | Qty. | Description |
|----------|------------|------|---------------------------------|
| 1 | 32144-14 | 3 | Screw-HWH |
| 2 | 83-6790 | 1 | Pin-Cylinder |
| 3 | 99-5643 | 1 | Hose-Hydraulic (only on: 03543) |
| 5 | 340-132 | 5 | Fitting-HYD, 90 DEG |
| 5:1 | 237-78 | 1 | O-Ring |
| 5:2 | 237-21 | 1 | O-Ring |
| 6 | 340-92 | 1 | Fitting |
| 6:1 | 237-78 | 1 | O-Ring |
| 6:2 | 237-21 | 1 | O-Ring |
| 7 | 99-5641 | 2 | Hose-Hydraulic |
| 8 | 94-5808 | 1 | Frame-Carrier |
| 8:1 | 302-5 | 1 | Fitting-Grease |
| 8:2 | 67-1750 | 2 | Bushing |
| 9 | 3296-29 | 4 | Nut-Lock |
| 10 | 92-8002 | 1 | Plug-Reed Switch, Magnet |
| 11 | 83-6780 | 2 | Cylinder Pin |
| *12 | 3290-379 | 4 | Tie-Cable |
| 13 | 283-6 | 3 | Pin-Clevis |
| 14 | 75-5220-03 | 1 | Bracket-Spring, LH |
| 15 | 75-5200-03 | 1 | Bracket-Spring, RH |
| 16 | 75-5210-03 | 1 | Bracket-Spring, Center |
| 17 | 3272-10 | 3 | Pin-Cotter |
| 18 | 3296-51 | 4 | Nut-Lock, NI |

| Ref. No. | Part No. | Qty. | Description |
|----------|-----------|------|----------------------|
| 19 | 328-7 | 4 | Screw-HH |
| 20 | 32151-48 | 3 | E-Ring |
| 21 | 282-4 | 3 | Shackle |
| 22 | 5-0743-03 | 3 | Spring-Mower |
| 23 | 3296-44 | 3 | Nut-Lock NI |
| 24 | 3256-24 | 3 | Washer-Flat |
| 25 | 322-5 | 3 | Screw-HH |
| 26 | 3256-23 | 3 | Washer-Flat |
| 27 | 93-9310 | 1 | Cylinder-Hydraulic |
| 28 | 32120-93 | 6 | Ring-Retaining |
| 29 | 3-6498 | 6 | Washer-Thrust |
| 30 | 104-0046 | 3 | Pin - Cylinder Slide |
| 31 | 75-5900 | 1 | Hose |
| 32 | 32104-76 | 2 | Screw |
| 33 | 75-6370 | 1 | Cap - Sensor |
| 34 | 104-0028 | 1 | Hose Guide |
| 35 | 322-5 | 2 | Screw-HH |
| 37 | 99-6986 | 2 | Cylinder-Hydraulic |
| 39 | 3290-378 | 2 | Tie-Cable |
| 41 | 3253-5 | 2 | Washer-Lock |
| 42 | 99-5642 | 1 | Hose-Hydraulic |

* Not illustrated

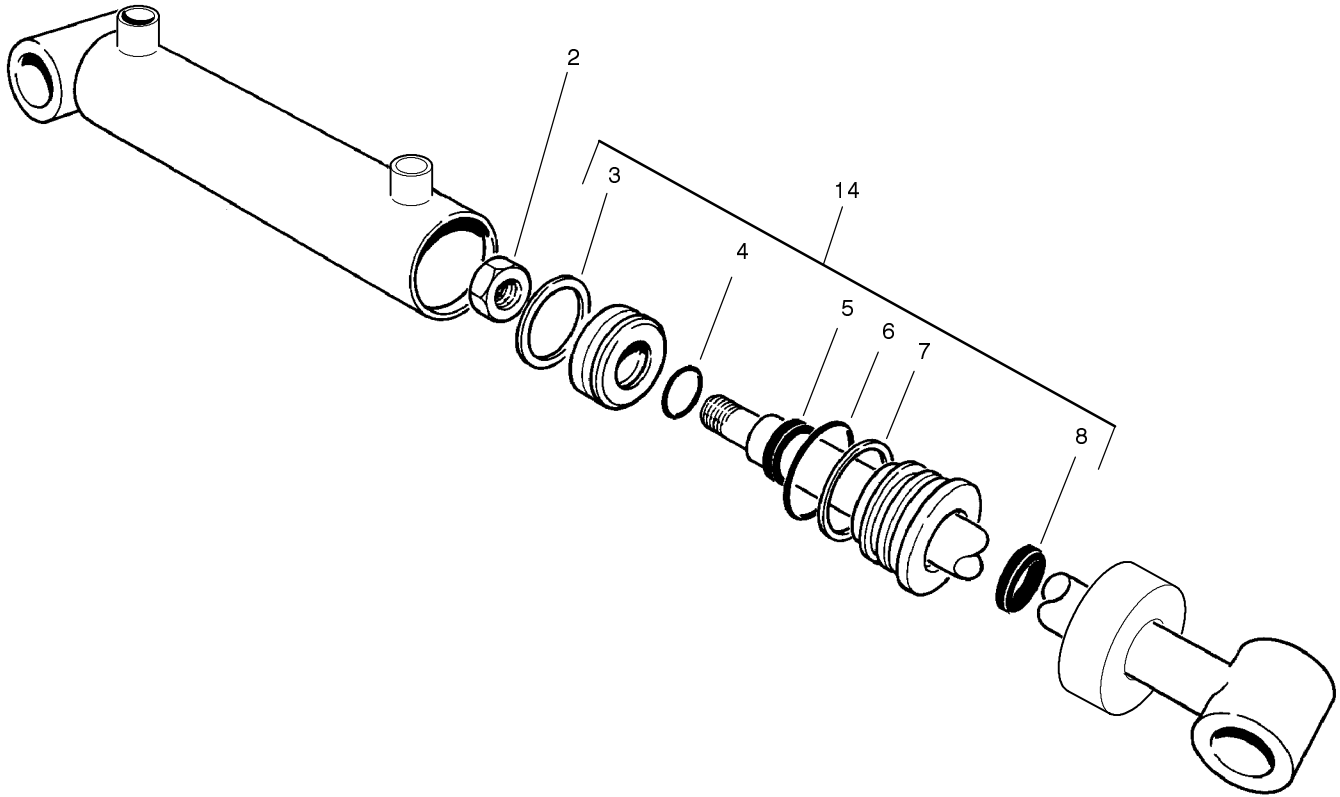


Sheet No.:B6
T-2114

Hydraulic Cylinder No. 93-9310

| Ref. No. | Part No. | Qty. | Description |
|----------|----------|------|---------------------|
| 1 | 32152-10 | 1 | Locknut-Deform, Top |
| 2 | 70-2780 | 1 | Piston |
| 3 | 93-7990 | 1 | Head |
| 4 | 93-7991 | 1 | Collar |
| 5 | 75-3790 | 1 | Shaft W/Tube |
| 6 | 93-9312 | 1 | Barrel ASM |
| 7 | 86-7330 | 1 | Kit-Seal |
| 8 | 302-5 | 1 | Fitting-Grease |

| Ref. No. | Part No. | Qty. | Description |
|----------|----------|------|-------------|
| | | | |
| | | | |
| | | | |
| | | | |
| | | | |
| | | | |
| | | | |
| | | | |
| | | | |
| | | | |

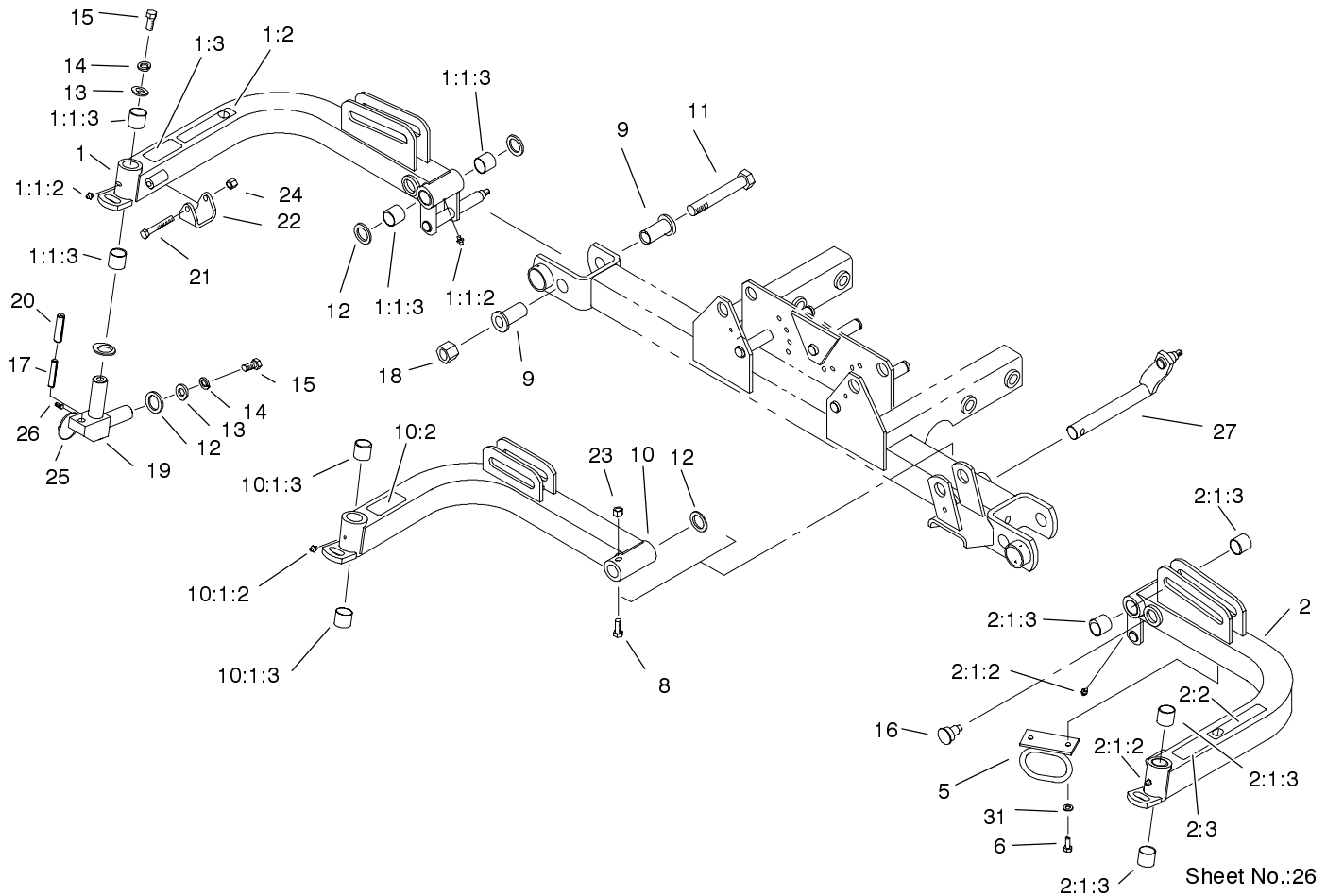


Sheet No.:B7
T-3383

Hydraulic Cylinder Assembly No. 99-6986

| Ref. No. | Part No. | Qty. | Description |
|----------|----------|------|---------------------|
| 2 | 32152-10 | 1 | Locknut-Deform, Top |
| 14 | 100-8023 | 1 | Kit-Repair, Seal |
| | | | |
| | | | |
| | | | |
| | | | |
| | | | |
| | | | |
| | | | |
| | | | |
| | | | |

| Ref. No. | Part No. | Qty. | Description |
|----------|----------|------|-------------|
| | | | |
| | | | |
| | | | |
| | | | |
| | | | |
| | | | |
| | | | |
| | | | |
| | | | |
| | | | |
| | | | |

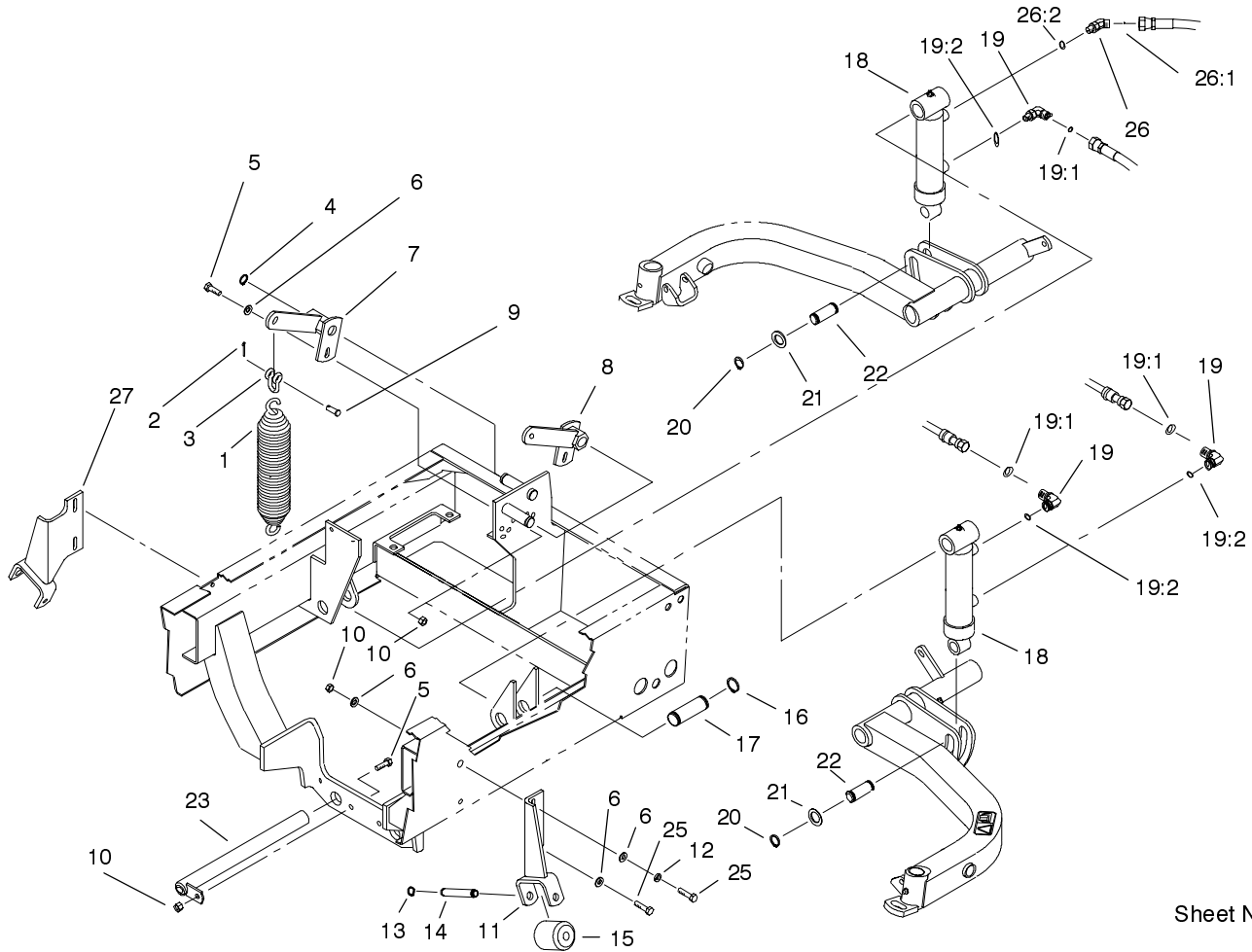


Front Lift Arm Assembly

| Ref. No. | Part No. | Qty. | Description |
|----------|----------|------|----------------------|
| 1 | 104-8601 | 1 | RH Lift Arm ASM |
| ☆1:1 | | 1 | Arm-Lift, RH |
| 1:1:2 | 302-5 | 2 | Fitting-Grease |
| 1:1:3 | 67-1750 | 4 | Bushing |
| 1:2 | 93-6687 | 1 | Decal-Step, No |
| 1:3 | 93-6696 | 1 | Decal-Loaded, Spring |
| 2 | 104-8600 | 1 | LH Lift Arm ASM |
| ☆2:1 | | 1 | Arm-Lift, LH |
| 2:1:2 | 302-5 | 2 | Fitting-Grease |
| 2:1:3 | 67-1750 | 4 | Bushing |
| 2:2 | 93-6687 | 1 | Decal-Step, No |
| 2:3 | 93-6696 | 1 | Decal-Loaded, Spring |
| 5 | 104-0028 | 2 | Hose Guide |
| 6 | 322-5 | 4 | Screw-HH |
| 8 | 323-11 | 1 | Screw-HH |
| 9 | 84-8320 | 4 | Insert - Hinge |
| 10 | 104-8602 | 1 | Center Lift Arm ASM |
| ☆10:1 | | 1 | Arm-Lift, Center |
| 10:1:2 | 302-5 | 1 | Fitting-Grease |
| 10:1:3 | 67-1750 | 2 | Bushing |
| 10:2 | 93-6696 | 1 | Decal-Loaded, Spring |
| 11 | 328-12 | 2 | Screw-HH |
| 12 | 256-115 | 11 | Washer-Thrust |
| 13 | 3256-6 | 6 | Washer-Flat |
| 14 | 3253-7 | 6 | Washer-Lock |
| 15 | 325-4 | 6 | Screw-HH |

| Ref. No. | Part No. | Qty. | Description |
|----------|------------|------|--------------------------|
| 16 | 92-8754 | 1 | Plug-Reed Switch, Magnet |
| 17 | 32121-27 | 3 | Pin-Roll |
| 18 | 3296-51 | 2 | Nut-Lock, NI |
| 19 | 75-3010-03 | 3 | Joint-Arm |
| 20 | 32121-122 | 3 | Pin - Roll |
| 21 | 323-12 | 2 | Screw-HH |
| 22 | 75-5410 | 2 | Bracket-Arm |
| 23 | 3296-44 | 1 | Nut-Lock NI |
| 24 | 3296-39 | 2 | Nut-Lock, NI |
| 25 | 3290-378 | 4 | Tie-Cable |
| 26 | 92-9097 | 3 | Screw-HS |
| 27 | 75-4550-03 | 1 | Shaft-Lift, Center |

☆ Not serviced



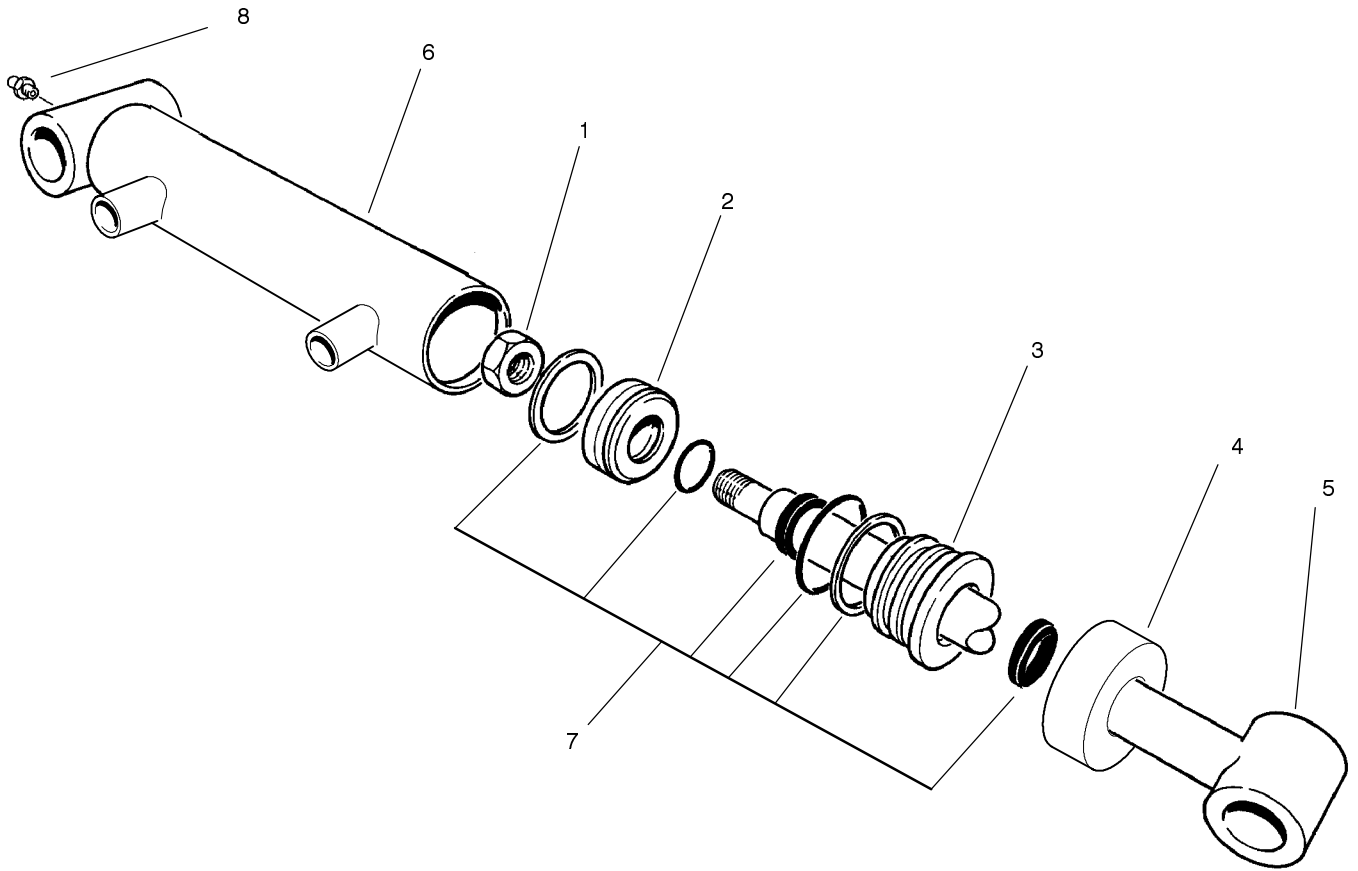
Sheet No.:27

Rear Lift Circuit Assembly

| Ref. No. | Part No. | Qty. | Description |
|----------|-------------|------|----------------------|
| 1 | 5-0743-03 | 2 | Spring-Mower |
| 2 | 3272-10 | 2 | Pin-Cotter |
| 3 | 282-4 | 2 | Shackle |
| 4 | 32151-48 | 2 | E-Ring |
| 5 | 322-5 | 4 | Screw-HH |
| 6 | 3256-23 | 9 | Washer-Flat |
| 7 | 98-4548-03 | 1 | Bracket-Spring, RH |
| 8 | 98-4536-03 | 1 | Bracket-Spring, LH |
| 9 | 283-6 | 2 | Pin-Clevis |
| 10 | 3296-29 | 11 | Nut-Lock |
| 11 | 100-3831-01 | 1 | Bracket-LH Roller |
| 12 | 3253-4 | 2 | Washer-Lock |
| 13 | 32151-61 | 4 | Ring-Retaining |
| 14 | 75-5400 | 2 | Pin-Roller |
| 15 | 75-5390 | 2 | Roller |
| 16 | 32151-36 | 4 | Ring-Retaining |
| 17 | 75-5360 | 2 | Pin-Cylinder |
| 18 | 93-9311 | 2 | Cylinder-Hydraulic |
| 19 | 340-132 | 3 | Fitting-HYD, 90 DEG |
| 19:1 | 237-78 | 1 | O-Ring |
| 19:2 | 237-21 | 1 | O-Ring |
| 20 | 32120-93 | 4 | Ring-Retaining |
| 21 | 3-6498 | 4 | Washer-Thrust |
| 22 | 104-0046 | 2 | Pin - Cylinder Slide |
| 23 | 93-0069-03 | 2 | Pin-Rear |
| *24 | 3290-379 | 3 | Tie-Cable |

| Ref. No. | Part No. | Qty. | Description |
|----------|-------------|------|-------------------|
| 25 | 322-6 | 4 | Screw-HH |
| 26 | 340-103 | 1 | Fitting |
| 26:1 | 237-78 | 1 | O-Ring |
| 26:2 | 237-21 | 1 | O-Ring |
| 27 | 100-3829-01 | 1 | Bracket-RH Roller |

* Not illustrated

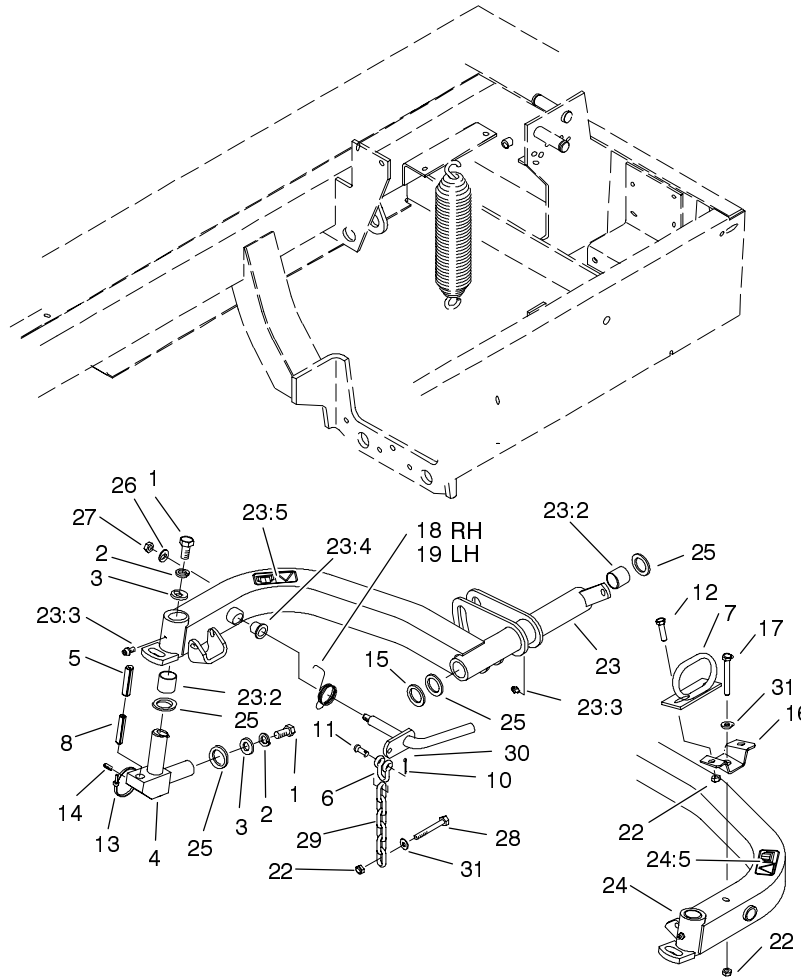


Sheet No.:B8
T-2114

Hydraulic Cylinder No. 93-9311

| Ref. No. | Part No. | Qty. | Description |
|----------|----------|------|---------------------|
| 1 | 32152-10 | 1 | Locknut-Deform, Top |
| 2 | 70-2780 | 1 | Piston |
| 3 | 93-7990 | 1 | Head |
| 4 | 93-7991 | 1 | Collar |
| 5 | 75-3790 | 1 | Shaft W/Tube |
| 6 | 93-9313 | 1 | Barrel ASM |
| 7 | 86-7330 | 1 | Kit-Seal |
| 8 | 302-5 | 1 | Fitting-Grease |

| Ref. No. | Part No. | Qty. | Description |
|----------|----------|------|-------------|
| | | | |
| | | | |
| | | | |
| | | | |
| | | | |
| | | | |
| | | | |
| | | | |
| | | | |
| | | | |



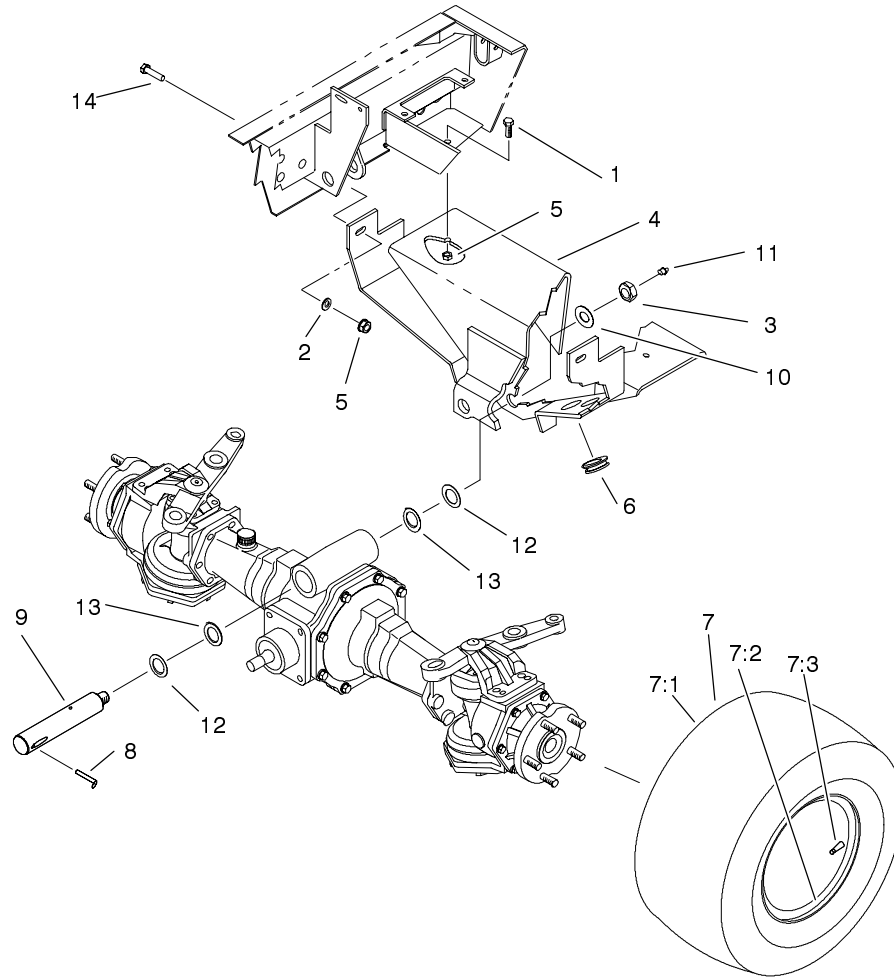
Sheet No.:28

Rear Lift Arm Assembly

| Ref. No. | Part No. | Qty. | Description |
|----------|------------|------|------------------------------|
| 1 | 325-4 | 4 | Screw-HH |
| 2 | 3253-7 | 4 | Washer-Lock |
| 3 | 3256-6 | 4 | Washer-Flat |
| 4 | 75-3010-03 | 2 | Joint-Arm |
| 5 | 32121-122 | 2 | Pin - Roll |
| 6 | 282-4 | 2 | Shackle |
| 7 | 104-0028 | 1 | Hose Guide |
| 8 | 32121-27 | 2 | Pin-Roll |
| *9 | 3290-379 | 1 | Tie-Cable |
| 10 | 3272-10 | 2 | Pin-Cotter |
| 11 | 283-6 | 2 | Pin-Clevis |
| 12 | 322-5 | 2 | Screw-HH |
| 13 | 3290-378 | 4 | Tie-Cable |
| 14 | 92-9097 | 2 | Screw-HS |
| 15 | 93-0142 | 2 | Bushing - Straight |
| 16 | 94-4919-03 | 1 | Bracket-Clamp, Hose |
| 17 | 322-13 | 1 | Screw-HH |
| 18 | 75-4520 | 1 | Spring-Torsion, RH |
| 19 | 75-4530 | 1 | Spring-Torsion, LH |
| 22 | 3296-29 | 4 | Nut-Lock |
| 23 | 100-3828 | 1 | Arm Assembly-Lift Rear,RH |
| 23:2 | 67-1750 | 4 | Bushing |
| 23:3 | 302-5 | 2 | Fitting-Grease |
| 23:4 | 256-287 | 2 | Bushing |
| 23:5 | 93-6696 | 1 | Decal-Loaded, Spring |

| Ref. No. | Part No. | Qty. | Description |
|----------|-------------|------|------------------------------|
| 24 | 100-3827 | 1 | Arm Assembly-Lift Rear,LH |
| *24:2 | 256-287 | 2 | Bushing |
| *24:3 | 302-5 | 2 | Fitting-Grease |
| *24:4 | 67-1750 | 4 | Bushing |
| 24:5 | 93-6696 | 1 | Decal-Loaded, Spring |
| 25 | 256-115 | 12 | Washer-Thrust |
| 26 | 3256-24 | 2 | Washer-Flat |
| 27 | 3296-39 | 2 | Nut-Lock, NI |
| 28 | 322-12 | 2 | Screw-HH (only on: 03543) |
| 29 | 5-1096 | 2 | Chain-Lift |
| 30 | 100-3834-03 | 2 | Rod-Pivot |
| 31 | 3256-23 | 3 | Washer-Flat |

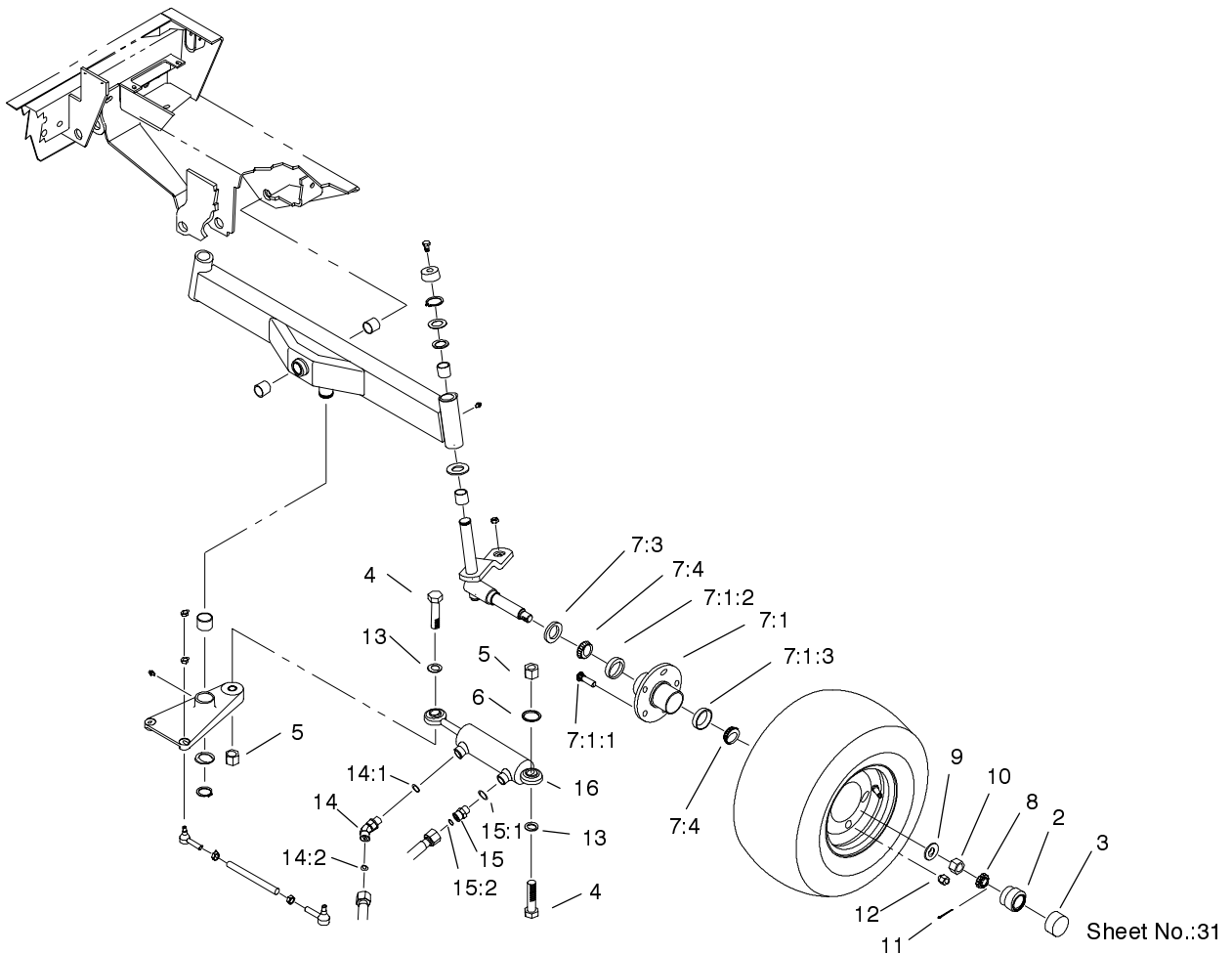
* Not illustrated



Sheet No.:30

Rear Axle Support Assembly

| Ref. No. | Part No. | Qty. | Description | Ref. No. | Part No. | Qty. | Description |
|----------|------------|------|------------------|----------|----------|------|-------------|
| 1 | 323-7 | 2 | Screw-HH | | | | |
| 2 | 3256-24 | 2 | Washer-Flat | | | | |
| 3 | 32146-20 | 1 | Nut-Jam | | | | |
| 4 | 98-8172-03 | 1 | Support-Axle | | | | |
| 5 | 3296-39 | 4 | Nut-Lock, NI | | | | |
| 6 | 237-165 | 2 | Grommet | | | | |
| 7 | 86-2820 | 2 | Tire & Wheel ASM | | | | |
| 7:1 | 86-5910 | 1 | Tire | | | | |
| 7:2 | 100-2582 | 1 | Rim | | | | |
| 7:3 | 232-27 | 1 | Stem-Valve | | | | |
| 8 | 32121-32 | 1 | Pin-Roll | | | | |
| 9 | 98-8173-03 | 1 | Pin-Pivot, Axle | | | | |
| 10 | 71-4540 | 1 | Washer-Thrust | | | | |
| 11 | 302-2 | 1 | Fitting-Grease | | | | |
| 12 | 99-8431 | 2 | Washer-Thrust | | | | |
| 13 | 99-8432 | 2 | Washer-Thrust | | | | |
| 14 | 323-13 | 2 | Screw-HH | | | | |

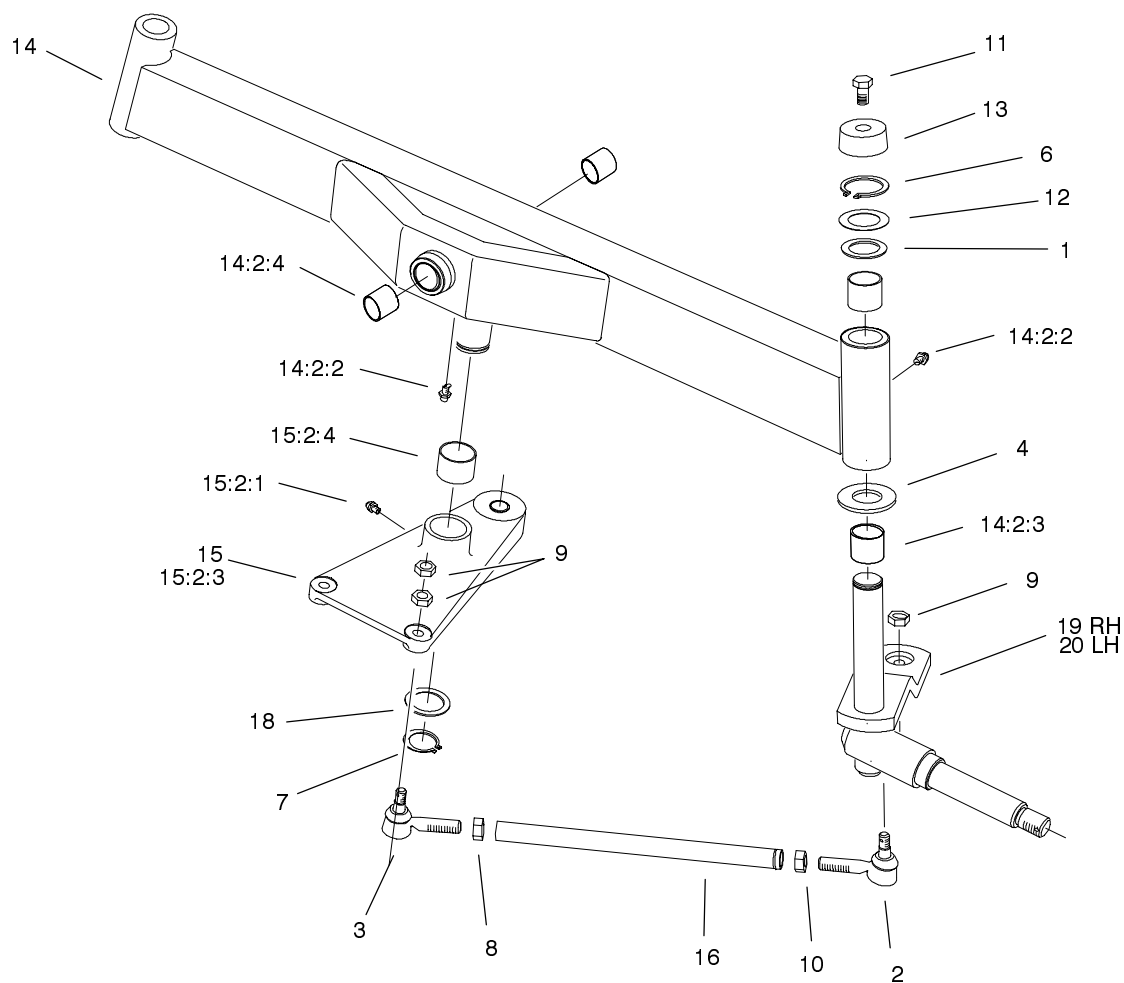


2WD Axle Assembly (Model 03543 Only)

| Ref. No. | Part No. | Qty. | Description |
|----------|----------|------|--|
| ☆1 | | 1 | Axle-Rear Assembly (only on: 03543) |
| 2 | 100-3769 | 2 | Buddy-Bearing (only on: 03543) |
| 3 | 100-3809 | 2 | Cap-Bearing Protector (only on: 03543) |
| 4 | 328-25 | 2 | Screw-HH (only on: 03543) |
| 5 | 32153-6 | 2 | Locknut (only on: 03543) |
| 6 | 67-7250 | 1 | Spacer-Ring (only on: 03543) |
| ☆7 | | 2 | Hub ASM (only on: 03543) |
| 7:1 | 21-2820 | 1 | Hub ASM (only on: 03543) |
| 7:1:1 | 10-6830 | 5 | Stud-Type, Drive (only on: 03543) |
| 7:1:2 | 254-72 | 2 | Bearing-Taper/Cup (only on: 03543) |
| *7:2 | 241-119 | 1 | Cap-Dust (only on: 03543) |
| 7:3 | 253-129 | 1 | Seal (only on: 03543) |
| 7:4 | 254-94 | 2 | Bearing-Taper/Cone (only on: 03543) |
| 8 | 93-0307 | 2 | Nut Retainer-Lock |

| Ref. No. | Part No. | Qty. | Description |
|----------|----------|------|--|
| 9 | 93-0309 | 4 | Washer - Tab (only on: 03543) |
| 10 | 3220-7 | 2 | Nut-Jam (only on: 03543) |
| 11 | 3272-13 | 2 | Pin-Cotter (only on: 03543) |
| 12 | 242-50 | 10 | Nut - Lug (only on: 03543) |
| 13 | 67-9410 | 2 | Washer (only on: 03543) |
| 14 | 340-103 | 1 | Fitting (only on: 03543) |
| 14:1 | 237-78 | 1 | O-Ring (only on: 03543) |
| 14:2 | 237-21 | 1 | O-Ring (only on: 03543) |
| 15 | 340-92 | 1 | Fitting (only on: 03543) |
| 15:1 | 237-78 | 1 | O-Ring (only on: 03543) |
| 15:2 | 237-21 | 1 | O-Ring (only on: 03543) |
| 16 | 75-1200 | 1 | Cylinder - Hydraulic Steering (only on: 03543) |

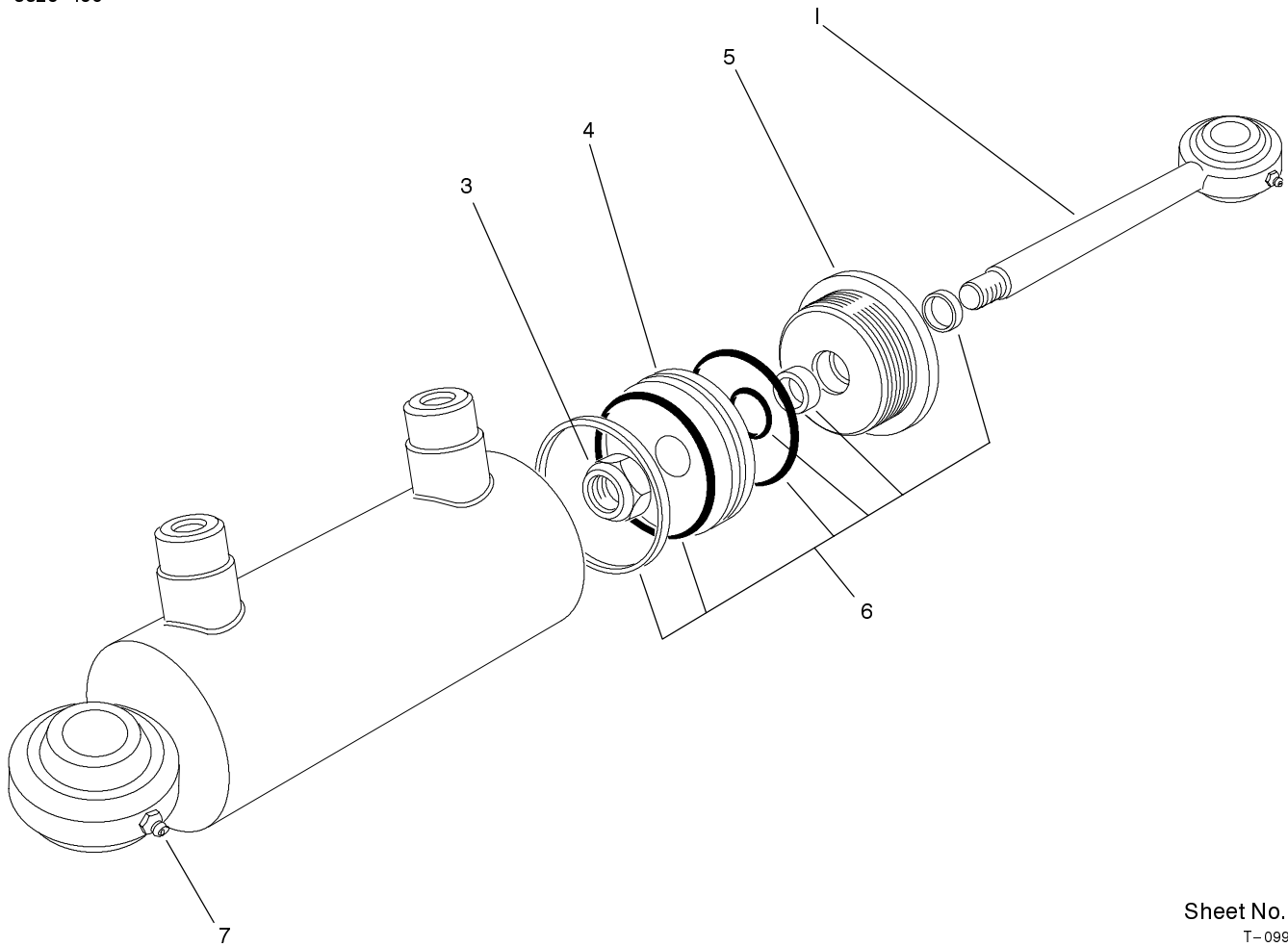
☆ Not serviced
 * Not illustrated

Sheet No.:B9
T-3604

Rear Axle Assembly (Model 03543 Only)

| Ref. No. | Part No. | Qty. | Description | Ref. No. | Part No. | Qty. | Description |
|----------|------------|------|---------------------------------------|----------|------------|------|-----------------------------------|
| 1 | 10-8110 | 2 | Washer-Thrust (only on: 03543) | ☆14:2 | | 1 | Axle-Rear (only on: 03543) |
| 2 | 21-0141 | 2 | RH Ball Joint ASM (only on: 03543) | 14:2:2 | 302-5 | 2 | Fitting-Grease (only on: 03543) |
| 3 | 21-0151 | 2 | LH Ball Joint ASM (only on: 03543) | 14:2:3 | 67-1750 | 4 | Bushing (only on: 03543) |
| 4 | 256-121 | 2 | Washer-Thrust (only on: 03543) | 14:2:4 | 99-6964 | 2 | Bushing-Axle (only on: 03543) |
| 6 | 32151-36 | 2 | Ring-Retaining (only on: 03543) | 15 | 75-4410-03 | 1 | Pivot Plate ASM (only on: 03543) |
| 7 | 32151-77 | 1 | Ring-Retaining, Ext. (only on: 03543) | ☆15:2 | | 1 | Pivot Plate ASM (only on: 03543) |
| 8 | 3220-12 | 2 | Nut-Jam, LH Thread (only on: 03543) | 15:2:1 | 302-5 | 1 | Fitting-Grease (only on: 03543) |
| 9 | 3220-3 | 8 | Nut-Jam (only on: 03543) | 15:2:3 | 75-2910 | 1 | Plate-Pivot (only on: 03543) |
| 10 | 3220-5 | 2 | Nut-HJ (only on: 03543) | 15:2:4 | 76-2970 | 2 | Bushing-Straight (only on: 03543) |
| 11 | 3234-13 | 2 | Screw-HHF (only on: 03543) | 16 | 75-3130-03 | 2 | Tie Rod (only on: 03543) |
| 12 | 5-1226 | 2 | Washer (only on: 03543) | 18 | 76-2980 | 1 | Washer-Thrust (only on: 03543) |
| 13 | 66-2990 | 2 | Cap-Spindle (only on: 03543) | 19 | 93-7000-03 | 1 | Spindle-RH (only on: 03543) |
| 14 | 99-6935-03 | 1 | Axle-Rear (only on: 03543) | 20 | 93-7001-03 | 1 | Splindle-LH (only on: 03543) |

☆ Not serviced

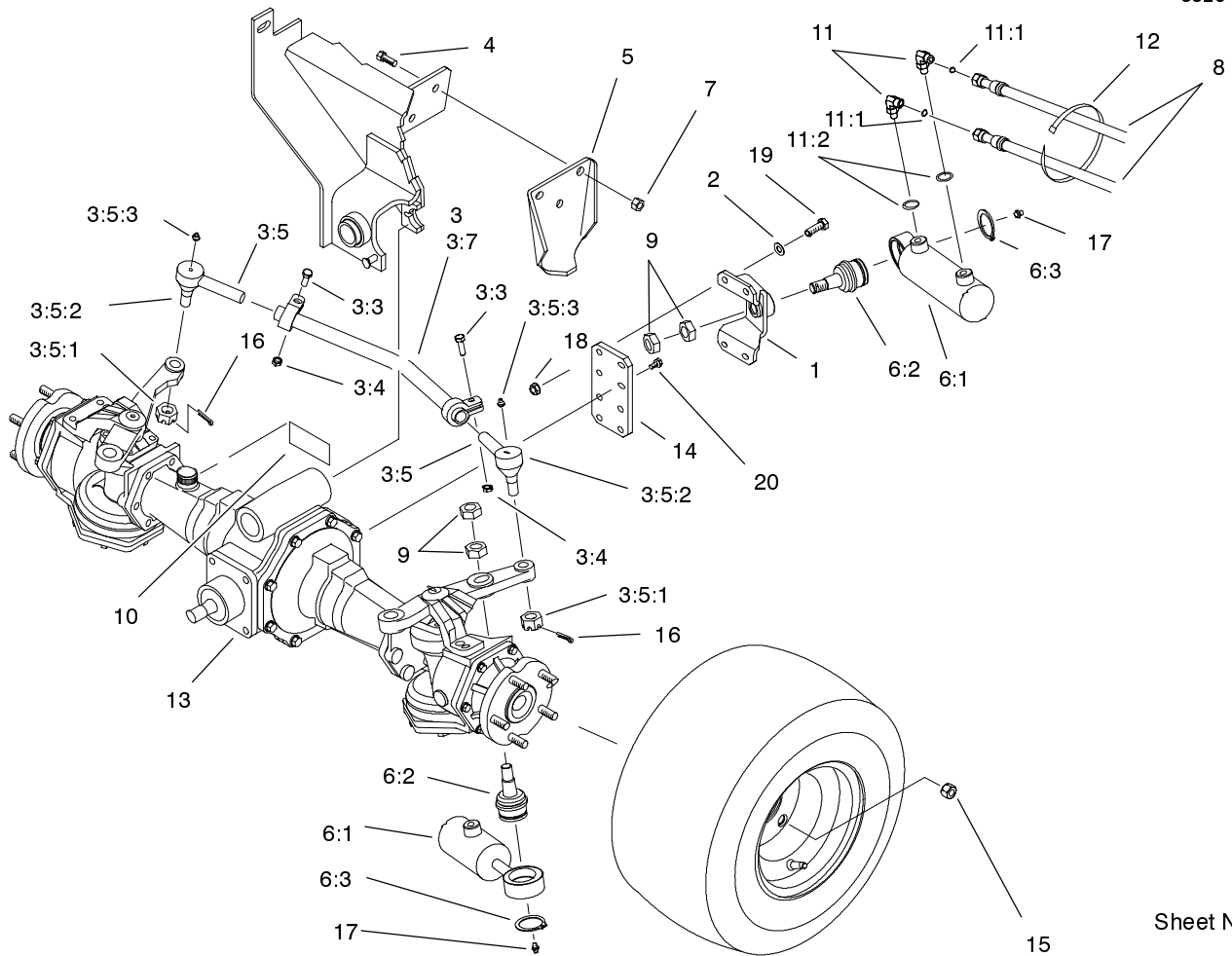


Sheet No.:C1
T-0996

Hydraulic Cylinder No. 75-1200 (Model 03543 Only)

| Ref. No. | Part No. | Qty. | Description |
|----------|----------|------|---------------------------------|
| 1 | 75-1230 | 1 | Rod-Piston (only on: 03543) |
| 3 | 75-1210 | 1 | Nut (only on: 03543) |
| 4 | 75-1220 | 1 | Piston (only on: 03543) |
| 5 | 75-1260 | 1 | Head (only on: 03543) |
| 6 | 75-1250 | 1 | Seal Kit (only on: 03543) |
| 7 | 302-5 | 2 | Fitting-Grease (only on: 03543) |

| Ref. No. | Part No. | Qty. | Description |
|----------|----------|------|-------------|
| | | | |
| | | | |
| | | | |
| | | | |

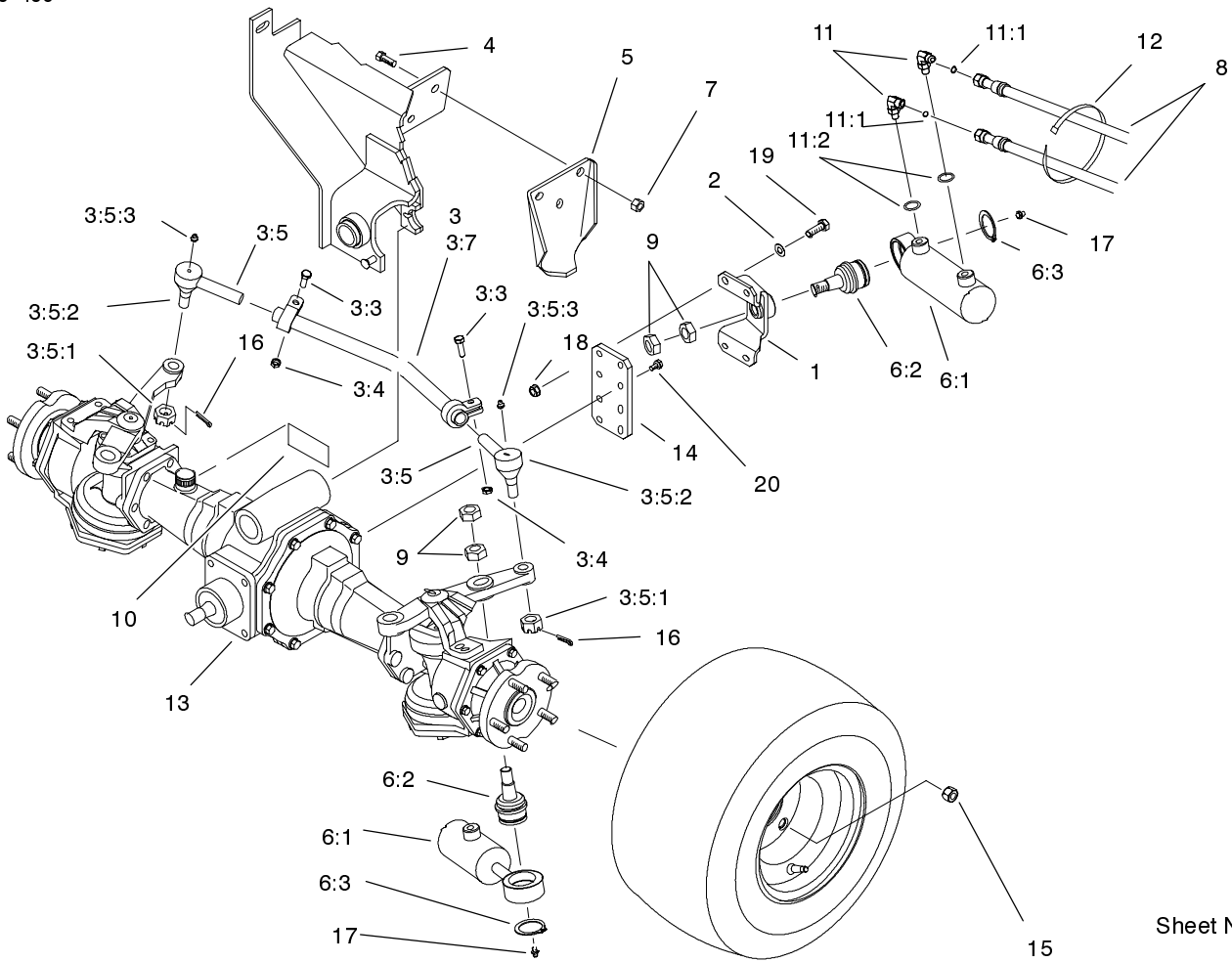


Sheet No.:32

4WD Rear Axle Assembly (Model 03544 Only)

| Ref. No. | Part No. | Qty. | Description | Ref. No. | Part No. | Qty. | Description |
|----------|------------|------|--|----------|-----------|------|---|
| 1 | 98-3948-03 | 1 | Mount-Cylinder (only on: 03544) | 6:1 | 98-8163 | 1 | Cylinder-Steering (only on: 03544) |
| 2 | 48-9220 | 4 | Washer (only on: 03544) | 6:2 | 92-5838 | 2 | Joint-Ball (only on: 03544) |
| 3 | 98-3932 | 1 | Tie Rod ASM (only on: 03544) | 6:3 | 32151-104 | 2 | Ring-Retaining, External (only on: 03544) |
| 3:3 | 323-9 | 2 | Screw-HH (only on: 03544) | 7 | 3296-23 | 6 | Nut-Lock, NI (only on: 03544) |
| 3:4 | 3296-39 | 2 | Nut-Lock, NI (only on: 03544) | 8 | 104-1494 | 2 | Hydraulic Hose ASM (only on: 03544) |
| 3:5 | 71-4740 | 2 | End-Tie Rod (only on: 03544) | 9 | 3220-6 | 4 | Nut-Jam (only on: 03544) |
| 3:5:1 | 32136-13 | 1 | Nut-Hex, Slotted (only on: 03544) | 10 | 93-6697 | 1 | Decal - Lube (only on: 03544) |
| 3:5:2 | 71-4760 | 1 | Seal (only on: 03544) | 11 | 340-132 | 2 | Fitting-HYD, 90 DEG (only on: 03544) |
| 3:5:3 | 302-55 | 1 | Zerk (only on: 03544) | 11:1 | 237-78 | 1 | O-Ring (only on: 03544) |
| 3:7 | 99-8996 | 1 | Tube And Clamp Assembly (only on: 03544) | 11:2 | 237-21 | 1 | O-Ring (only on: 03544) |
| 4 | 325-5 | 6 | Screw-HH (only on: 03544) | 12 | 3290-378 | 1 | Tie-Cable (only on: 03544) |
| 5 | 99-6966-03 | 2 | Stop Axle (only on: 03544) | 13 | 98-3925 | 1 | Drive Axle ASM (only on: 03544) |
| ☆6 | | 1 | Steering Cylinder ASM (only on: 03544) | | | | |

☆ Not serviced

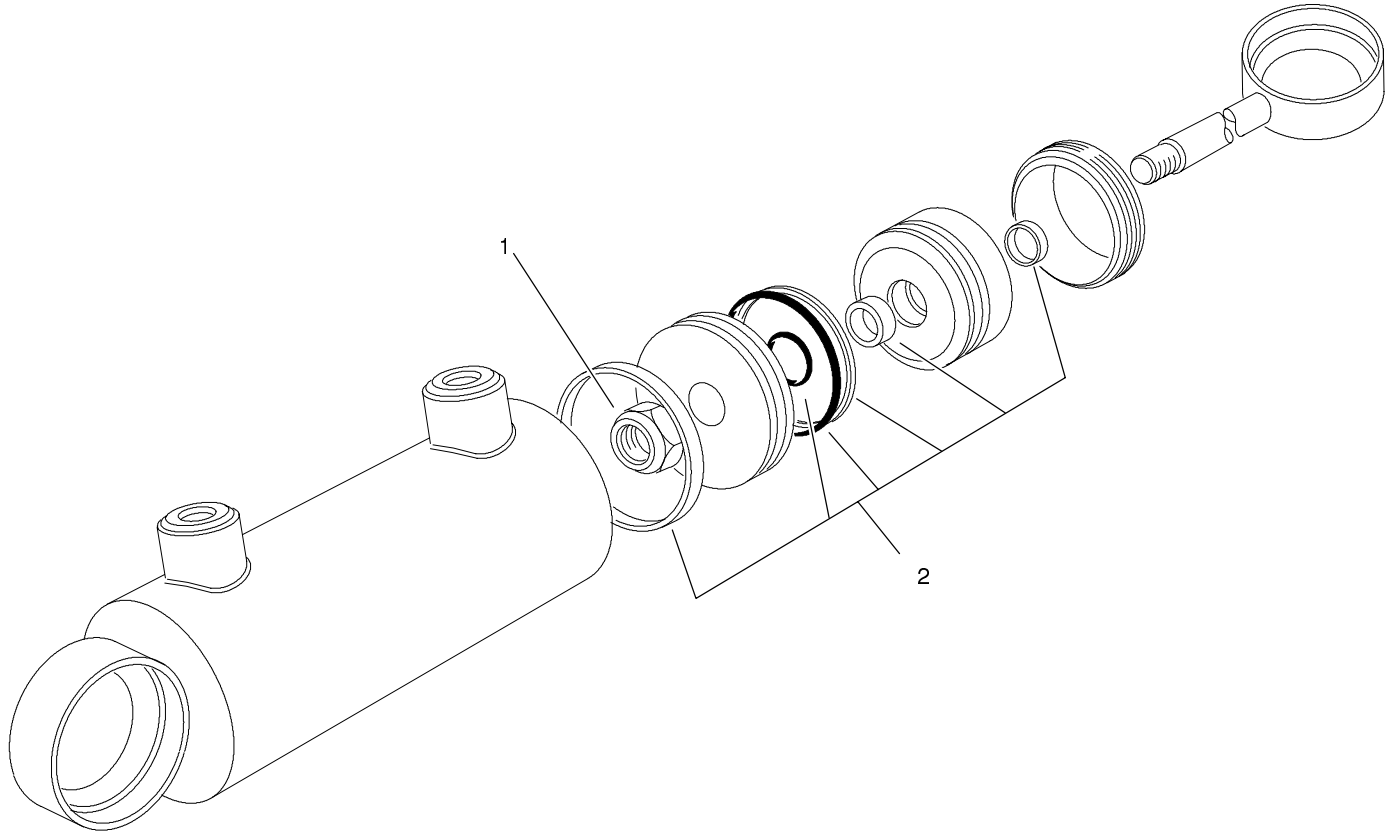


Sheet No.:32

4WD Rear Axle Assembly (Model 03544 Only - Continued)

| Ref. No. | Part No. | Qty. | Description |
|----------|------------|------|---|
| 14 | 98-8198-03 | 1 | Plate-Cylinder Bracket (only on: 03544) |
| 15 | 93-5268 | 10 | Nut-Lug (only on: 03544) |
| 16 | 3272-11 | 2 | Pin-Cotter (only on: 03544) |
| 17 | 302-5 | 2 | Fitting-Grease (only on: 03544) |
| 18 | 3296-39 | 4 | Nut-Lock, NI (only on: 03544) |
| 19 | 323-8 | 4 | Screw-HH (only on: 03544) |
| 20 | 95-8812 | 4 | Screw-HH (only on: 03544) |

| Ref. No. | Part No. | Qty. | Description |
|----------|----------|------|-------------|
| | | | |
| | | | |
| | | | |
| | | | |
| | | | |
| | | | |
| | | | |
| | | | |
| | | | |
| | | | |

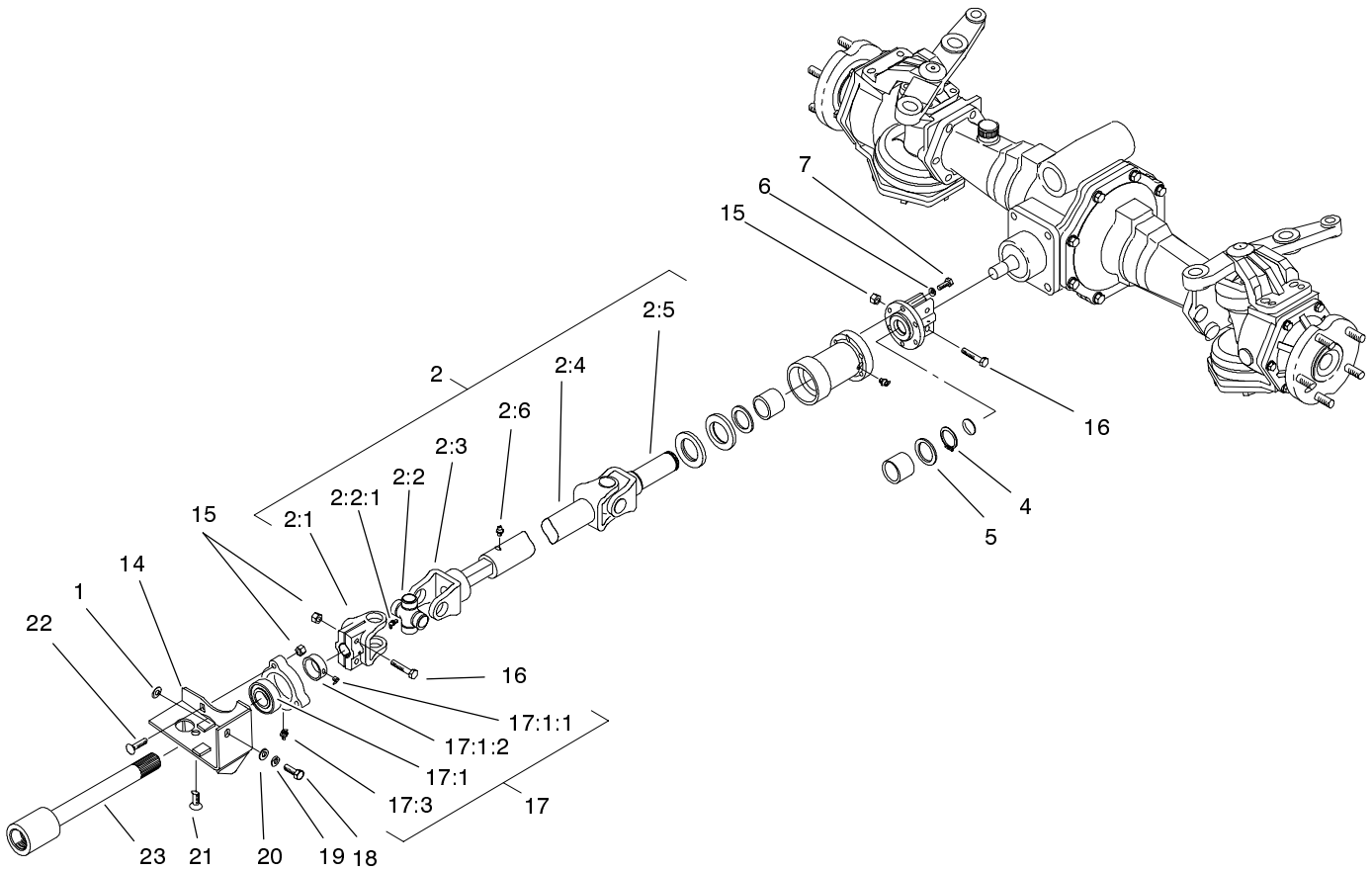


Sheet No.:C2
T-3513

Hydraulic Cylinder Assembly No. 98-8163 (Model 03544 Only)

| Ref. No. | Part No. | Qty. | Description |
|----------|----------|------|---|
| 1 | 32152-10 | 1 | Locknut-Deform, Top (only on: 03544) |
| 2 | 100-8022 | 1 | Seal Repair Kit (only on: 03544) |

| Ref. No. | Part No. | Qty. | Description |
|----------|----------|------|-------------|
| | | | |
| | | | |
| | | | |
| | | | |



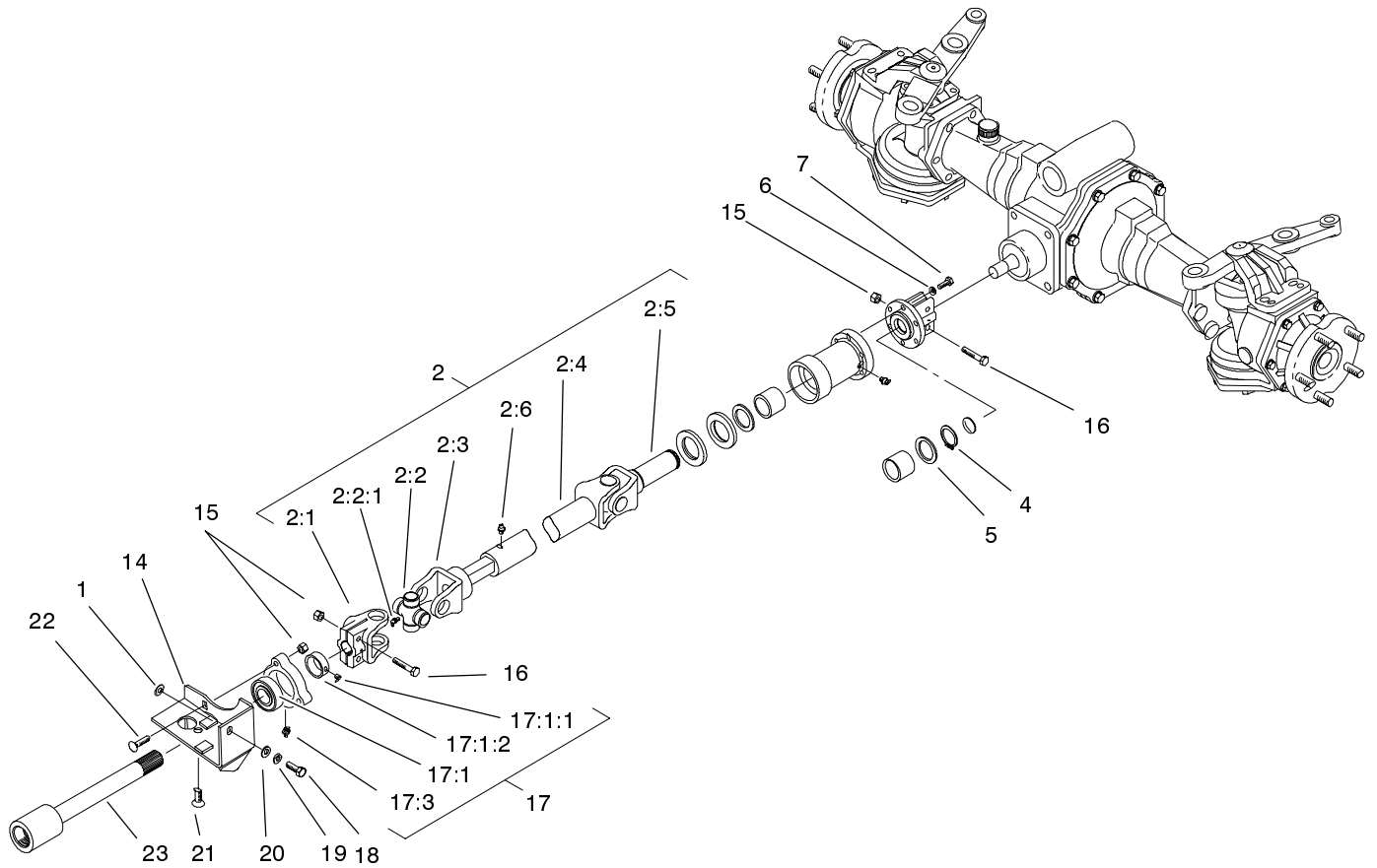
Sheet No.:33

4 WD Shaft Assembly (Model 03544 Only)

| Ref. No. | Part No. | Qty. | Description |
|----------|----------|------|-------------------------------------|
| 1 | 83-7470 | 2 | Shim (only on: 03544) |
| 2 | 99-6976 | 1 | Driveshaft (only on: 03544) |
| 2:1 | 54-9090 | 1 | Yoke-End (only on: 03544) |
| 2:2 | 54-9180 | 2 | U-Joint Kit (only on: 03544) |
| 2:2:1 | 62-3820 | 1 | Fitting-Grease (only on: 03544) |
| 2:3 | 104-1693 | 1 | Yoke & Shaft (only on: 03544) |
| 2:4 | 83-5260 | 1 | Tube-Yoke, Slip (only on: 03544) |
| 2:5 | 72-3440 | 1 | Yoke - Shaft (only on: 03544) |
| 2:6 | 302-58 | 1 | Fitting-Grease (only on: 03544) |
| ☆3 | | 1 | Clutch Housing ASM (only on: 03544) |
| 4 | 32151-87 | 1 | Ring-Retaining (only on: 03544) |
| 5 | 71-4590 | 2 | Washer-Thrust (only on: 03544) |
| 6 | 3253-3 | 6 | Washer-Lock (only on: 03544) |
| 7 | 3274-8 | 6 | Screw(only on:03544) |

| Ref. No. | Part No. | Qty. | Description |
|----------|------------|------|--------------------------------------|
| 14 | 83-4970-03 | 1 | Bracket-Bearing (only on: 03544) |
| 15 | 3296-29 | 7 | Nut-Lock (only on: 03544) |
| 16 | 322-8 | 4 | Screw-HH (only on: 03544) |
| 17 | 76-2460 | 1 | Bearing ASM (only on: 03544) |
| 17:1 | 94-3405 | 1 | Bearing-Ball (only on: 03544) |
| 17:1:1 | 3245-35 | 1 | Screw-HS (only on: 03544) |
| 17:1:2 | 251-77 | 1 | Bearing-Lockcollar (only on: 03544) |
| 17:3 | 302-5 | 1 | Fitting-Grease (only on: 03544) |
| 18 | 48-9460 | 1 | Capscrew-Hex (only on: 03544) |
| 19 | 42-9850 | 1 | Washer-Lock, Spring (only on: 03544) |
| 20 | 48-8030 | 1 | Washer (only on: 03544) |
| 21 | 3274-34 | 1 | Screw-HSFH (only on: 03544) |

☆ Not serviced

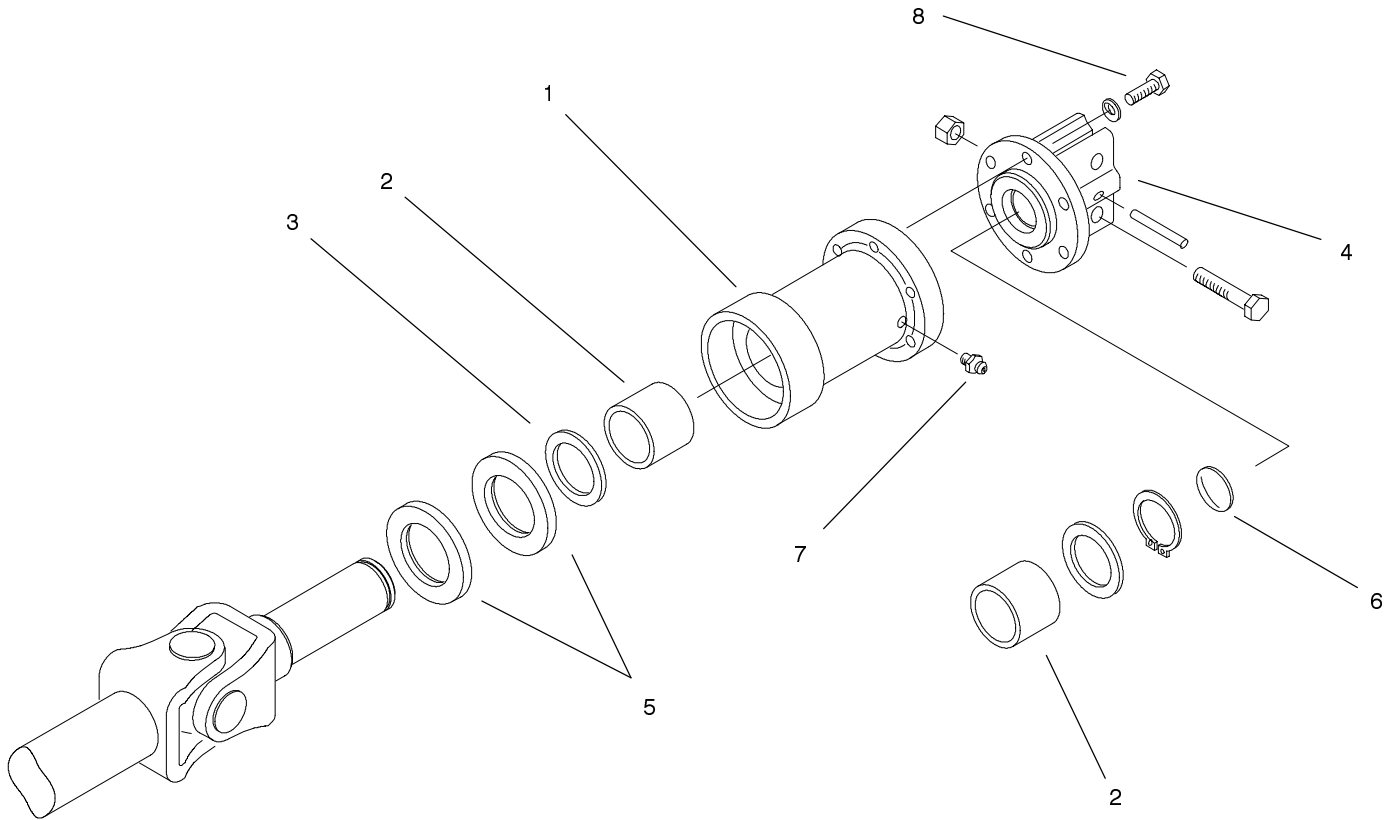


Sheet No.:33

4 WD Shaft Assembly (Model 03544 Only - Continued)

| Ref. No. | Part No. | Qty. | Description |
|----------|------------|------|--------------------------------|
| 22 | 3230-3 | 3 | Screw-CARR(only on: 03544) |
| 23 | 83-4900-03 | 1 | Shaft-Traction(only on: 03544) |

| Ref. No. | Part No. | Qty. | Description |
|----------|----------|------|-------------|
| | | | |

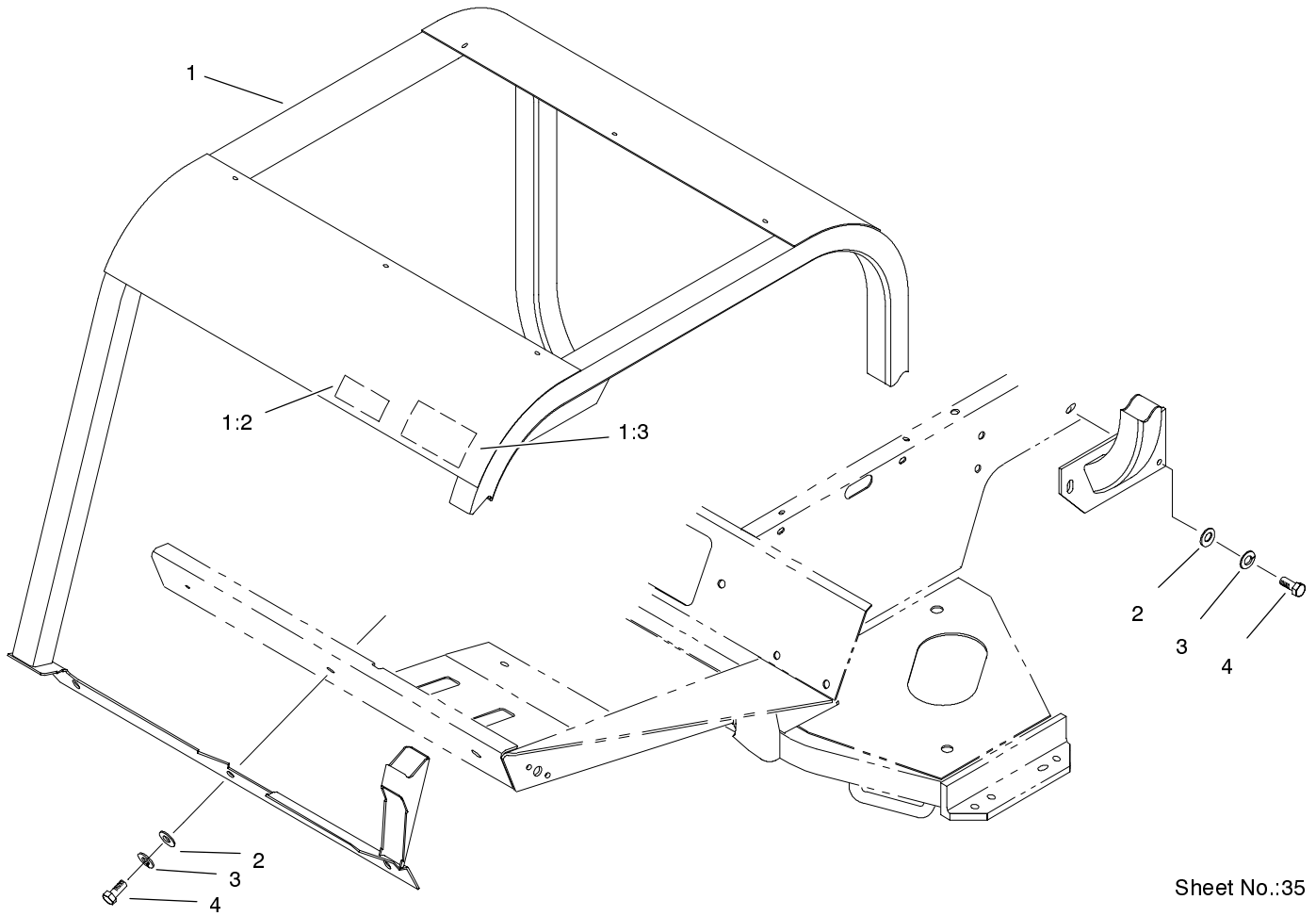


Sheet No.:C3
T-3608

Clutch Housing Assembly (Model 03544 Only)

| Ref. No. | Part No. | Qty. | Description |
|----------|------------|------|---|
| 1 | 71-4570-03 | 1 | Housing-Clutch, Roller (only on: 03544) |
| 2 | 71-4580 | 2 | Bearing (only on: 03544) |
| 3 | 71-4590 | 1 | Washer-Thrust (only on: 03544) |
| 4 | 76-4690-03 | 1 | Coupling - Axle (only on: 03544) |
| 5 | 253-155 | 2 | Seal-Oil (only on: 03544) |
| 6 | 284-3 | 1 | Plug (only on: 03544) |
| 7 | 302-5 | 1 | Fitting-Grease (only on: 03544) |
| 8 | 3274-8 | 1 | Screw-HSH (only on: 03544) |

| Ref. No. | Part No. | Qty. | Description |
|----------|----------|------|-------------|
| | | | |
| | | | |
| | | | |
| | | | |
| | | | |
| | | | |
| | | | |
| | | | |
| | | | |
| | | | |

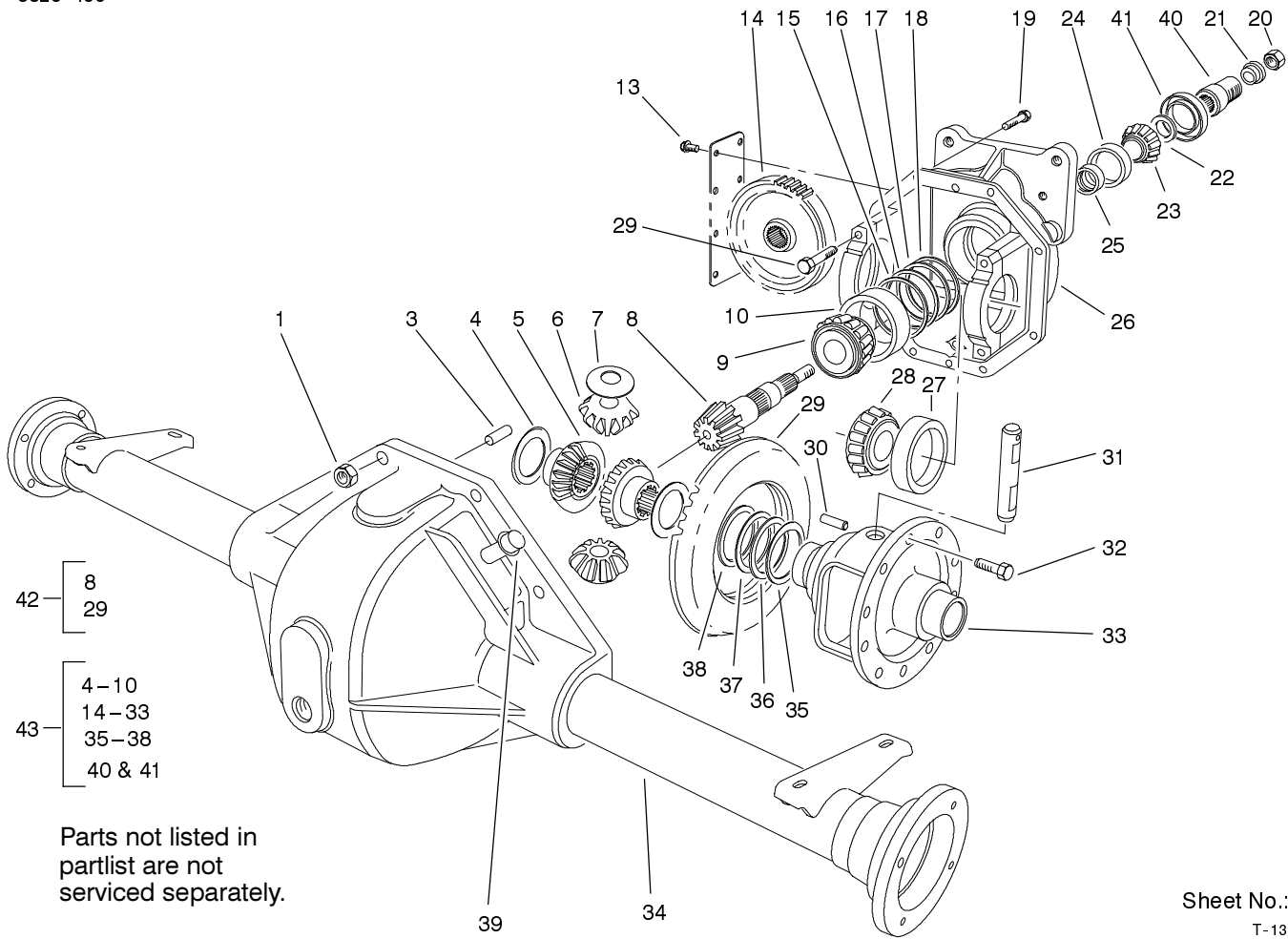


Sheet No.:35

Roll-Over-Protection-System and Stabilizer Assembly (Model 03544 Only)

| Ref. No. | Part No. | Qty. | Description |
|----------|----------|------|-----------------------------------|
| 1 | 104-1248 | 1 | Rops ASM (only on: 03544) |
| 1:2 | 85-9980 | 1 | Decal (only on: 03544) |
| 1:3 | 93-8050 | 1 | Decal-Roof, Rops (only on: 03544) |
| 2 | 3256-26 | 9 | Washer-Flat (only on: 03544) |
| 3 | 3253-7 | 9 | Washer-Lock (only on: 03544) |
| 4 | 325-5 | 9 | Screw-HH (only on: 03544) |

| Ref. No. | Part No. | Qty. | Description |
|----------|----------|------|-------------|
| | | | |
| | | | |
| | | | |
| | | | |
| | | | |
| | | | |
| | | | |
| | | | |
| | | | |
| | | | |



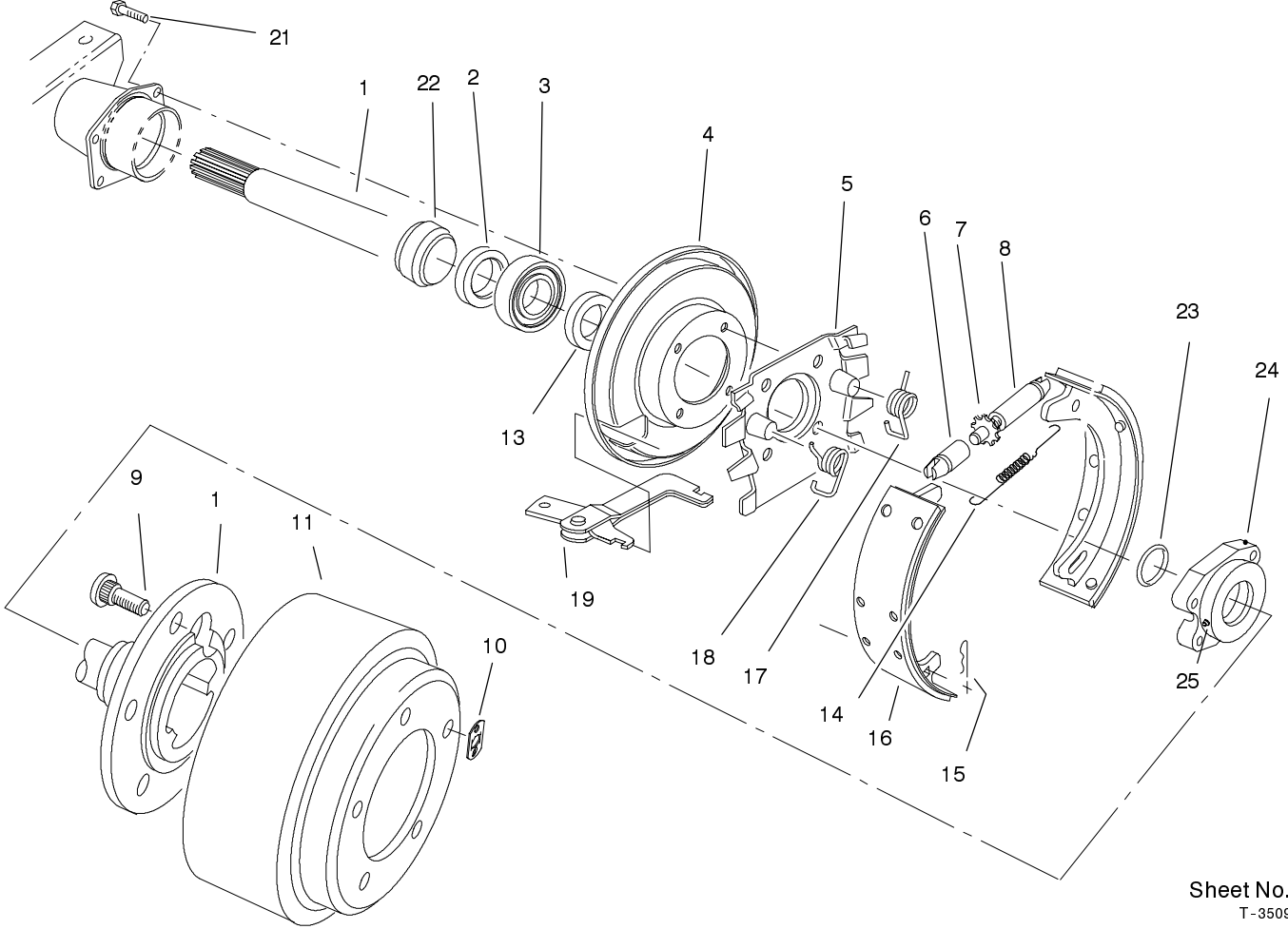
Sheet No.:1
T-1315

Axle Assembly No. 99-6981-03

| Ref. No. | Part No. | Qty. | Description |
|----------|-----------|------|----------------------------|
| 1 | 32144-5 | 8 | Screw |
| 3 | 21-8270 | 2 | Pin-Dowel |
| 4 | 21-7720 | 2 | Washer-Thrust |
| 5 | 24-8790 | 2 | Diff Gear |
| 6 | 21-7690 | 2 | Diff Pinion |
| 7 | 21-7730 | 2 | Pinion Thrust Washer |
| 9 | 43-6760 | 1 | Bearing-Roller, Cone Taper |
| 10 | 43-6750 | 1 | Bearing-Taper, Cup |
| 13 | 32144-112 | 8 | Screw-Forming, Thread |
| 14 | 86-7230 | 1 | Gear-Input Transmission |
| 15 | 43-6710 | 1 | Shim |
| 16 | 43-6711 | 1 | Shim |
| 17 | 43-6712 | 1 | Shim |
| 18 | 43-6713 | 1 | Shim |
| 19 | 3210-8 | 8 | Screw-HH |
| 20 | 71-4350 | 1 | Nut |
| 21 | 83-5130 | 1 | Spacer - Pinion |
| 22 | 72-3570 | 1 | Shim-Bearing, Front |
| 22 | 72-3571 | 1 | Shim-Bearing, Front |
| 22 | 72-3572 | 1 | Shim-Bearing, Front |
| 22 | 72-3573 | 1 | Shim-Bearing, Front |
| 22 | 72-3574 | 1 | Shim-Bearing, Front |
| 22 | 72-3575 | 1 | Shim-Bearing, Front |

| Ref. No. | Part No. | Qty. | Description |
|----------|----------|------|---------------------|
| 22 | 72-3576 | 1 | Shim-Bearing, Front |
| 22 | 72-3577 | 1 | Shim-Bearing, Front |
| 22 | 72-3578 | 1 | Shim-Bearing, Front |
| 22 | 72-3580 | 1 | Shim-Bearing, Front |
| 22 | 72-3581 | 1 | Shim-Bearing, Front |
| 22 | 72-3582 | 1 | Shim-Bearing, Front |
| 22 | 72-3583 | 1 | Shim-Bearing, Front |
| 22 | 72-3584 | 1 | Shim-Bearing, Front |
| 22 | 72-3585 | 1 | Shim-Bearing, Front |
| 22 | 72-3586 | 1 | Shim-Bearing, Front |
| 22 | 72-3587 | 1 | Shim-Bearing, Front |
| 22 | 72-3588 | 1 | Shim-Bearing, Front |
| 22 | 72-3590 | 1 | Shim-Bearing, Front |
| 22 | 72-3591 | 1 | Shim-Bearing, Front |
| 22 | 72-3592 | 1 | Shim-Bearing, Front |
| 22 | 72-3593 | 1 | Shim-Bearing, Front |
| 22 | 72-3594 | 1 | Shim-Bearing, Front |
| 22 | 72-3595 | 1 | Shim-Bearing, Front |
| 22 | 72-3596 | 1 | Shim-Bearing, Front |
| 22 | 72-3597 | 1 | Shim-Bearing, Front |
| 22 | 72-3598 | 1 | Shim-Bearing, Front |
| 22 | 72-3600 | 1 | Shim-Bearing, Front |
| 23 | 254-91 | 1 | Cone-Bearing |
| 24 | 21-8390 | 1 | Cup-Bearing |
| 25 | 21-8020 | 1 | Spacer-Bearing |
| 26 | 93-3619 | 1 | Upper Housing ASM |

3325-450



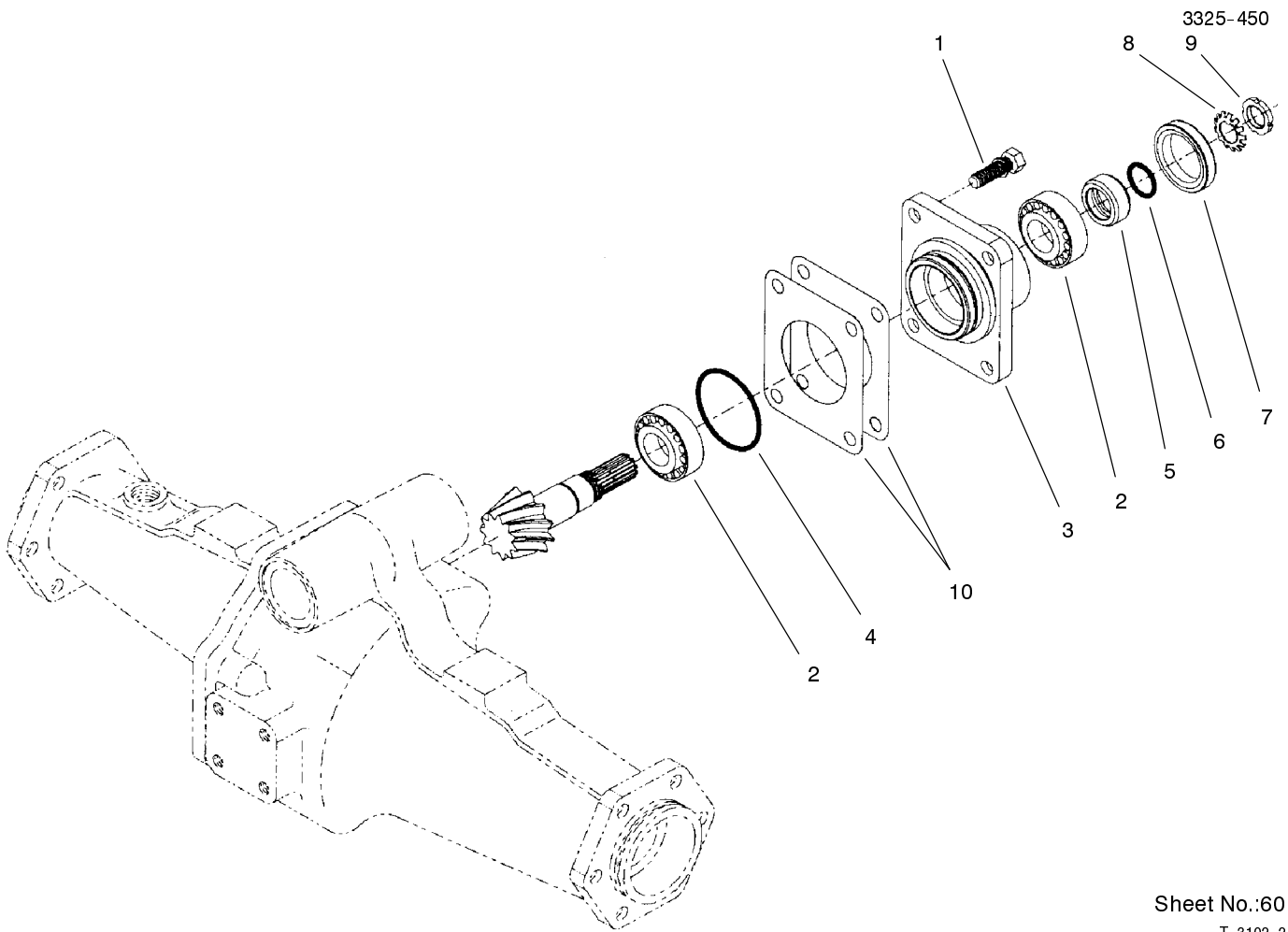
Sheet No.:2
T-3509

Brake Assembly

| Ref. No. | Part No. | Qty. | Description |
|----------|----------|------|------------------------|
| 1 | 100-3840 | 1 | Shaft-Axle, LH |
| 1 | 100-3841 | 1 | Shaft-Axle, RH |
| 2 | 100-3842 | 2 | Seal-Oil |
| 3 | 21-8180 | 2 | Bearing ASM |
| 4 | 100-3843 | 2 | Shield-Dust |
| 5 | 100-3844 | 2 | Spider-Torque |
| 6 | 21-9390 | 2 | Socket-Adj. Screw |
| 7 | 21-9370 | 2 | Screw-Adj. |
| 8 | 21-9380 | 2 | Nut-Pivot |
| 9 | 242-34 | 10 | Stud-Drive |
| 10 | 21-8360 | 2 | Locknut |
| 11 | 28-0680 | 2 | Drum-Brake |
| 13 | 100-3845 | 2 | Seal-Grease |
| 14 | 21-9440 | 2 | Spring-Adj. Screw |
| 15 | 21-9460 | 4 | Retainer-Lever, Brake |
| 16 | 84-8590 | 4 | Shoe And Lining ASM |
| 17 | 21-9420 | 2 | Spring-Return, Shoe |
| 18 | 21-9430 | 2 | Spring-Shoe Return, RH |
| 19 | 24-9180 | 2 | Strut & Lever ASM |
| 21 | 100-3846 | 8 | Screw-Special |
| 22 | 100-3847 | 2 | Retainer-Bearing |
| 23 | 100-3848 | 2 | O-Ring |
| 24 | 100-3849 | 2 | Cap-Bearing |
| 25 | 100-3850 | 2 | Zerk-Special |

| Ref. No. | Part No. | Qty. | Description |
|----------|----------|------|---------------------|
| *26 | 84-8600 | 1 | Packing-Shoes Lined |
| *27 | 92-8775 | 1 | Liquid Gasket Kit |

* Not illustrated



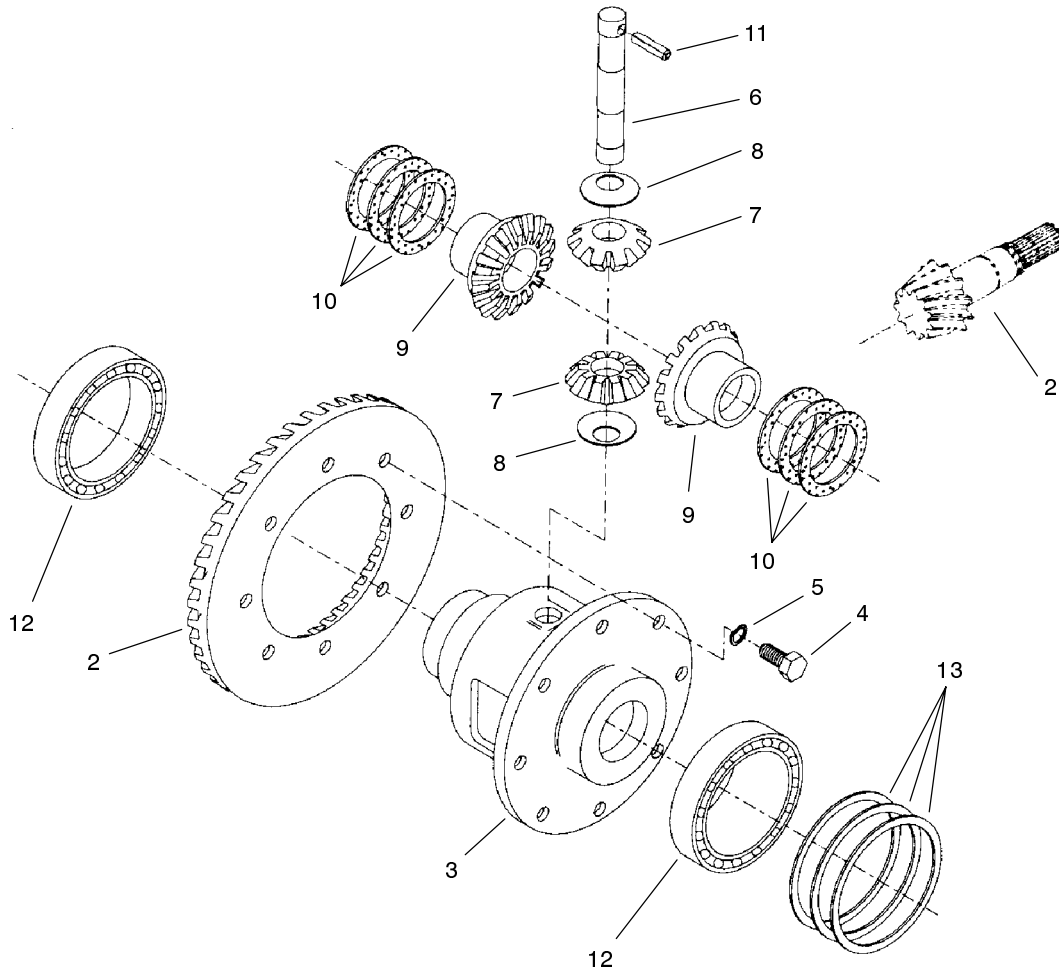
Sheet No.:60
T-3102-2

Rear Axle Assembly No. 98-3925 Bevel Pinion Shaft Assembly

| Ref. No. | Part No. | Qty. | Description |
|----------|----------|------|----------------------|
| 1 | 99-7575 | 4 | Bolt |
| 2 | 99-7570 | 2 | Bearing-Taper Roller |
| 3 | 95-7535 | 1 | Case-Bearing |
| 4 | 99-7571 | 1 | O-Ring |
| 5 | 99-7572 | 1 | Collar-Oil Seal |
| 6 | 99-7573 | 1 | O-Ring |
| 7 | 99-7574 | 1 | Seal-Oil |
| 8 | 99-7559 | 1 | Washer-Lock |
| 9 | 99-7560 | 1 | Nut-Lock |
| 10 | 99-7550 | 2 | Shim 0.1 |
| 10 | 99-7551 | 2 | Shim 0.2 |

| Ref. No. | Part No. | Qty. | Description |
|----------|----------|------|-------------|
| | | | |
| | | | |
| | | | |
| | | | |
| | | | |

* Not Illustrated



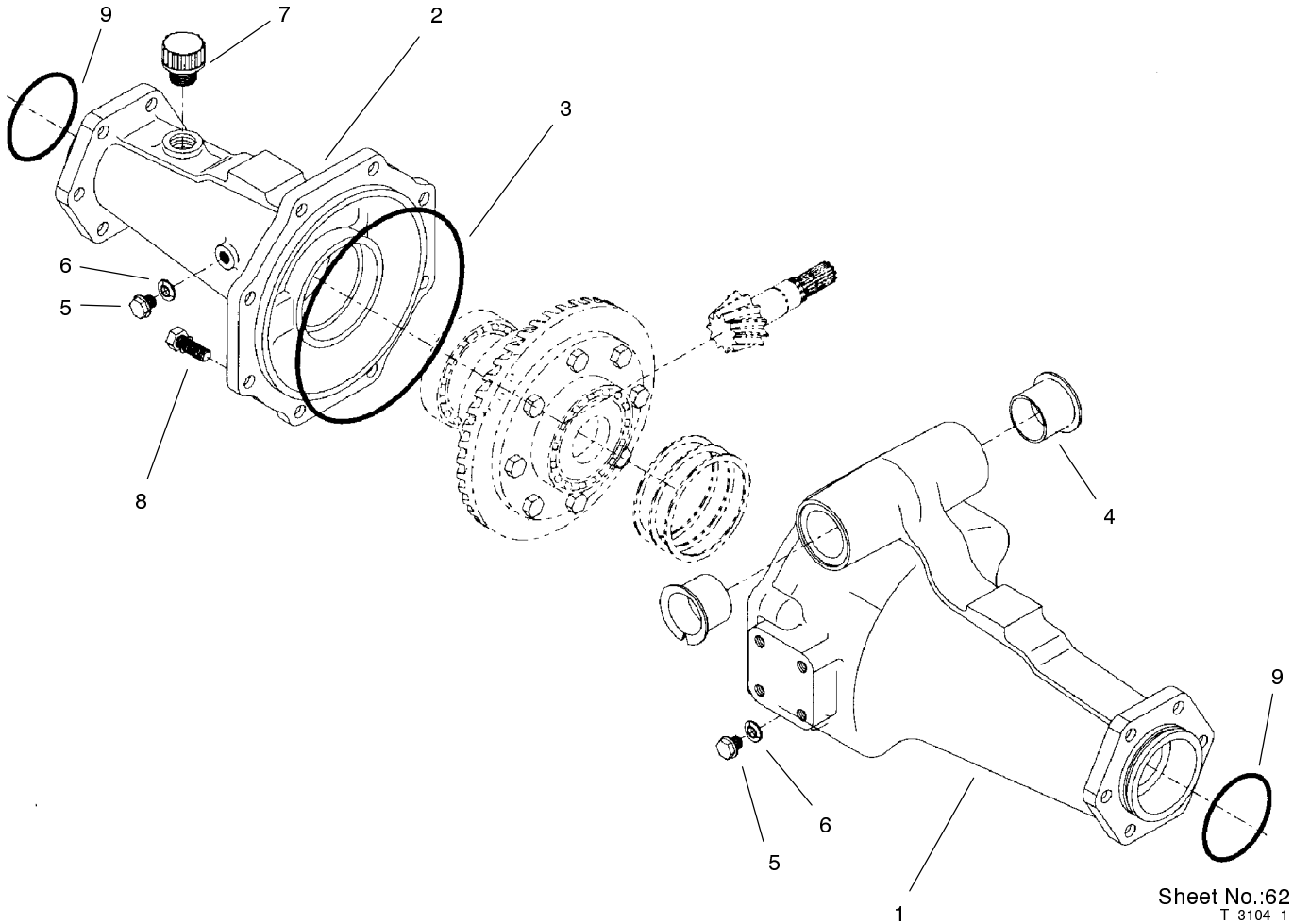
Sheet No.:61
T-3103-2

Rear Axle Assembly No. 98-3925 (Continued) Differential Assembly No. 95-7503

| Ref. No. | Part No. | Qty. | Description |
|----------|----------|------|--------------------------------|
| *1 | 95-7503 | 1 | Differential ASM |
| 2 | 100-2555 | 1 | Ring And Pinion Matched Set |
| 3 | 95-7502 | 1 | Case-Differential |
| 4 | 99-7576 | 8 | Bolt |
| 5 | 99-7577 | 8 | Washer-Spring |
| 6 | 99-7578 | 1 | Shaft-Differential |
| 7 | 99-7579 | 2 | Pinion-Differential |
| 8 | 99-7580 | 2 | Washer-Differential |
| 9 | 99-7581 | 2 | Gear-Differential |
| 10 | 99-7582 | 2 | Washer-Differential |
| 10 | 99-7583 | 2 | Washer-Differential |
| 10 | 99-7584 | 2 | Washer-Differential |
| 11 | 99-7588 | 1 | Pin-Spring |
| 12 | 99-7562 | 2 | Bearing-Ball |
| 13 | 99-7585 | 2 | Shim 0.1 |
| 13 | 99-7586 | 2 | Shim 0.2 |
| 13 | 99-7587 | 2 | Shim 0.4 |

| Ref. No. | Part No. | Qty. | Description |
|----------|----------|------|-------------|
| | | | |
| | | | |
| | | | |
| | | | |
| | | | |
| | | | |
| | | | |
| | | | |
| | | | |
| | | | |

* Not illustrated

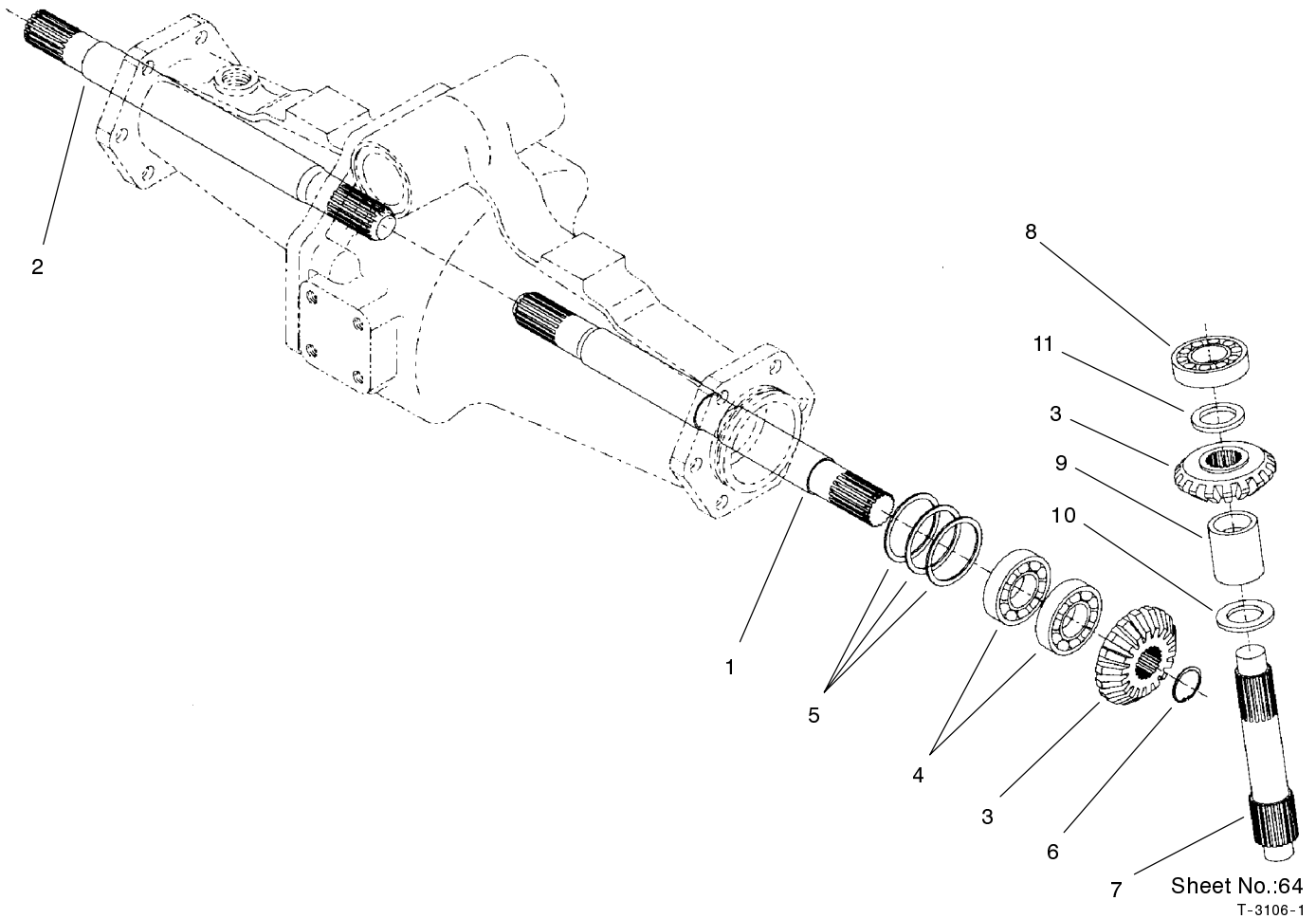


Sheet No.:62
T-3104-1

Rear Axle Assembly No. 98-3925 (Continued) Axle Support Assembly

| Ref. No. | Part No. | Qty. | Description |
|----------|----------|------|-----------------|
| 1 | 95-7508 | 1 | Support-Axle |
| 2 | 95-7506 | 1 | Support-Axle |
| 3 | 95-7507 | 1 | O-Ring |
| 4 | 95-7537 | 2 | Bushing-Flanged |
| 5 | 99-7589 | 2 | Plug |
| 6 | 99-7590 | 2 | Washer-Seal |
| 7 | 99-7591 | 1 | Oil Plug ASM |
| 8 | 99-7592 | 8 | Bolt |
| 9 | 99-7593 | 2 | O-Ring |

| Ref. No. | Part No. | Qty. | Description |
|----------|----------|------|-------------|
| | | | |



Sheet No.:64
T-3106-1

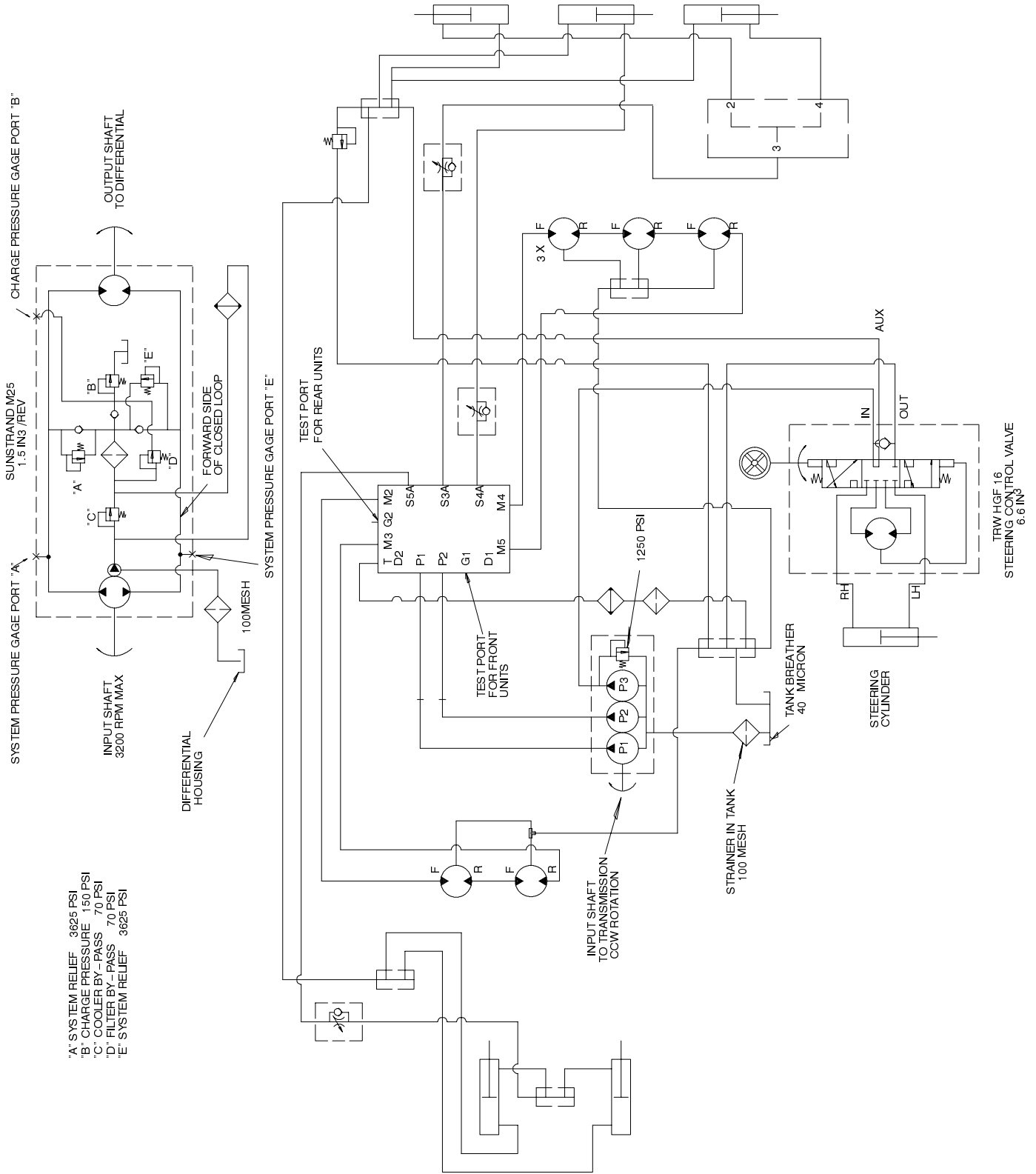
Rear Axle Assembly No. 98-3925 (Continued) Bevel Gear Shaft Assembly

| Ref. No. | Part No. | Qty. | Description |
|----------|----------|------|-----------------------------|
| 1 | 99-7509 | 1 | Shaft-Differential, LH Gear |
| 2 | 99-7512 | 1 | Shaft-Differential, RH Gear |
| 3 | 95-7518 | 4 | Gear-18 Bevel |
| 4 | 99-7530 | 4 | Bearing-Ball |
| 5 | 99-7552 | 2 | Shim 0.1 |
| 5 | 99-7553 | 2 | Shim 0.2 |
| 5 | 99-7554 | 2 | Shim 0.5 |
| 6 | 99-7531 | 2 | Cir-Clip |
| 7 | 95-7530 | 2 | Shaft-Bevel Gear |
| 8 | 99-7532 | 2 | Bearing-Taper Roller |
| 9 | 95-7543 | 2 | Spacer |
| 10 | 99-7533 | 2 | Collar-Thrust |
| 11 | 99-7558 | 2 | Collar |

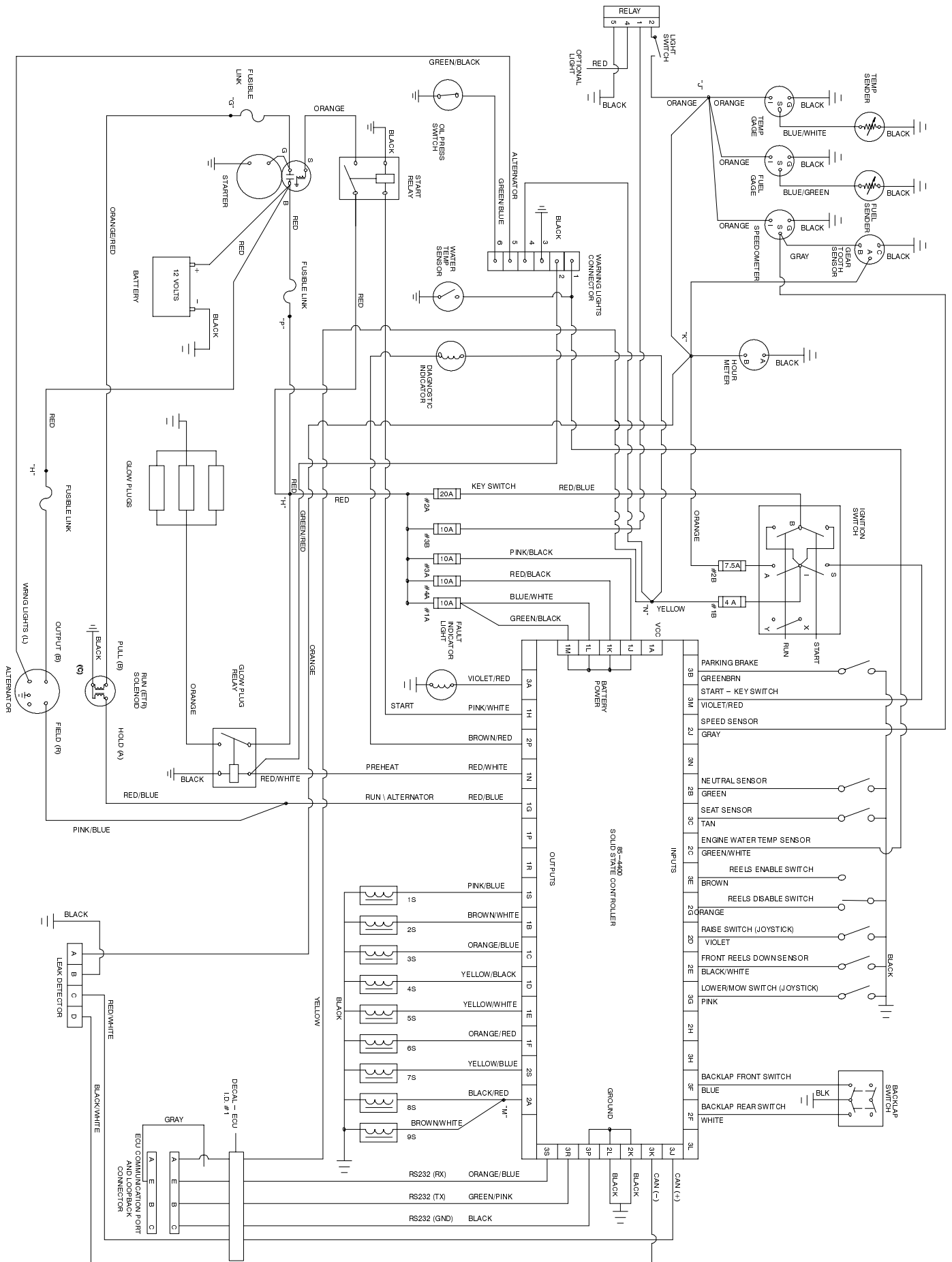
| Ref. No. | Part No. | Qty. | Description |
|----------|----------|------|-------------|
| | | | |
| | | | |
| | | | |
| | | | |
| | | | |
| | | | |
| | | | |
| | | | |
| | | | |
| | | | |

* Not Illustrated

Hydraulic Schematic

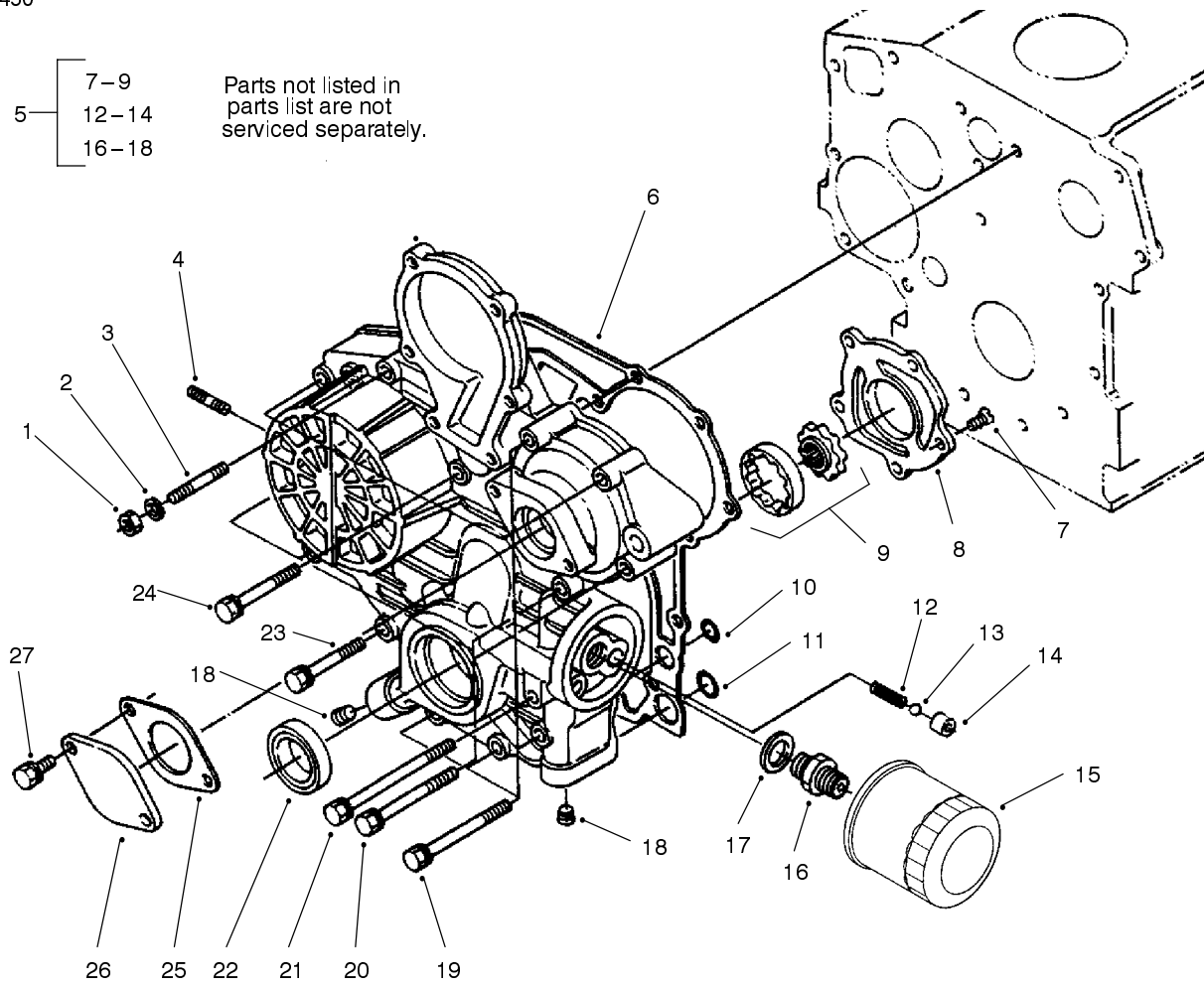


Electrical Schematic



5 — [7-9
12-14
16-18

Parts not listed in parts list are not serviced separately.

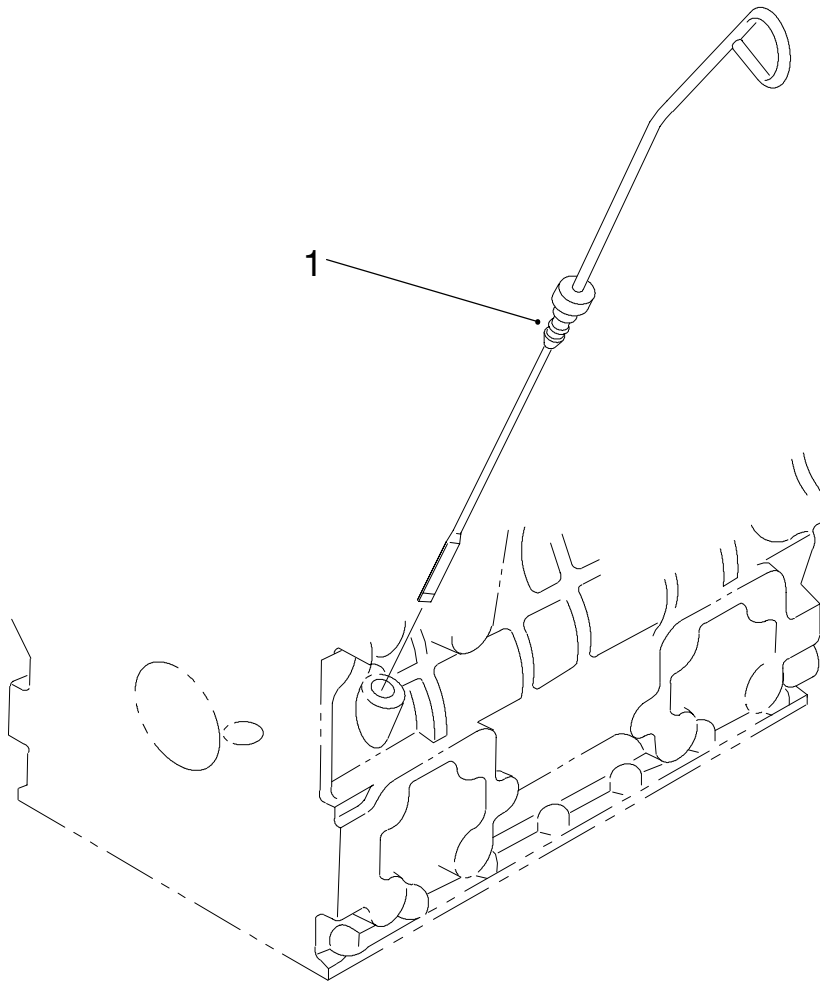


T-2909

Gear Case and Oil Filter Assembly

| Ref. No. | Part No. | Qty. | Description |
|----------|----------|------|--------------------|
| 1 | 98-7572 | 1 | Nut |
| 2 | 98-9367 | 1 | Washer-Lock |
| 3 | 98-9363 | 1 | Stud |
| 4 | 98-9362 | 2 | Stud |
| 5 | 98-9481 | 1 | Gear Case ASM |
| 6 | 98-9633 | 1 | Gasket-Case, Gear |
| 7 | 98-9592 | 5 | Screw |
| 8 | 98-9541 | 1 | Cover-Pump, Oil |
| 9 | 98-9540 | 1 | Oil Pump Rotor ASM |
| 10 | 98-9372 | 2 | O-Ring |
| 11 | 98-7547 | 2 | O-Ring |
| 12 | 98-9544 | 1 | Spring |
| 13 | 98-9380 | 1 | Ball |
| 14 | 98-9543 | 1 | Seal-Valve |
| 15 | 99-8384 | 1 | Oil Cartridge ASM |
| 16 | 98-9388 | 1 | Joint-Pipe |
| 17 | 98-7562 | 1 | Washer-Flat |
| 18 | 98-9598 | 2 | Plug |
| 19 | 98-9356 | 2 | Bolt |
| 20 | 98-9355 | 6 | Bolt |
| 21 | 98-9586 | 1 | Bolt |
| 22 | 98-9482 | 1 | Seal-Oil |
| 23 | 98-9437 | 1 | Bolt |
| 24 | 98-7496 | 3 | Bolt |
| 25 | 98-9684 | 1 | Gasket-Case, Gear |

| Ref. No. | Part No. | Qty. | Description |
|----------|----------|------|-------------|
| 26 | 98-9641 | 1 | Cover |
| 27 | 98-7692 | 2 | Bolt |

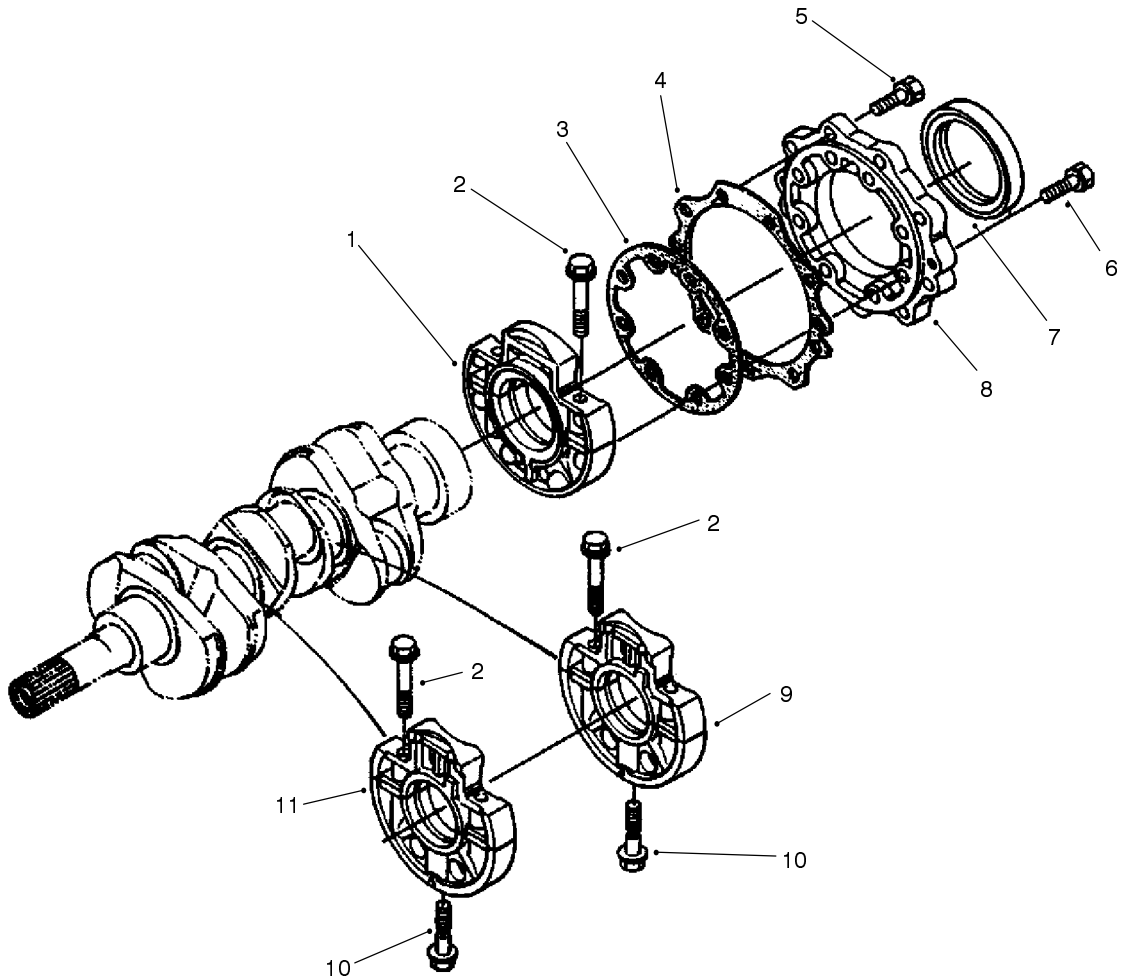


T-3094

Dipstick Assembly

| Ref. No. | Part No. | Qty. | Description |
|----------|----------|------|-------------|
| 1 | 98-9670 | 1 | Gauge-Oil |

| Ref. No. | Part No. | Qty. | Description |
|----------|----------|------|-------------|
| | | | |

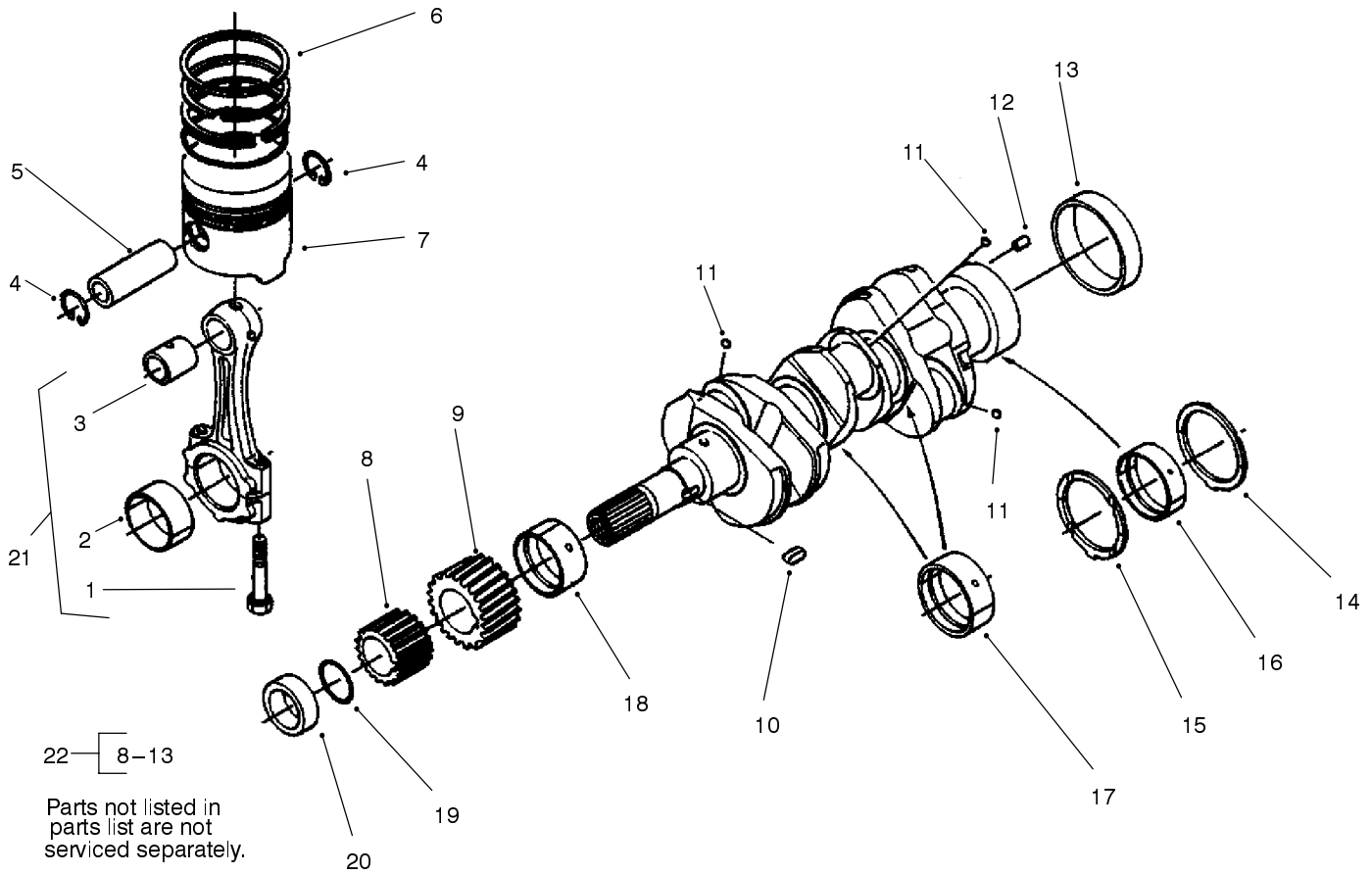


T-2912

Main Bearing Case Assembly

| Ref. No. | Part No. | Qty. | Description |
|----------|----------|------|----------------------------|
| 1 | 99-8345 | 1 | Main Bearing Case ASM |
| 2 | 98-9484 | 6 | Bolt-Case, Bearing |
| 3 | 98-9634 | 1 | Gasket-Case, Bearing |
| 4 | 98-9635 | 1 | Gasket-Cover, Bearing Case |
| 5 | 98-7568 | 9 | Bolt |
| 6 | 98-9352 | 8 | Bolt |
| 7 | 98-9483 | 1 | Seal-Oil |
| 8 | 98-9487 | 1 | Cover-Case, Bearing |
| 9 | 98-9607 | 1 | Main Bearing Case ASM |
| 10 | 98-9485 | 2 | Bolt-Case, Bearing |
| 11 | 98-9606 | 1 | Main Bearing Case ASM |

| Ref. No. | Part No. | Qty. | Description |
|----------|----------|------|-------------|
| | | | |
| | | | |
| | | | |
| | | | |
| | | | |
| | | | |
| | | | |
| | | | |
| | | | |
| | | | |

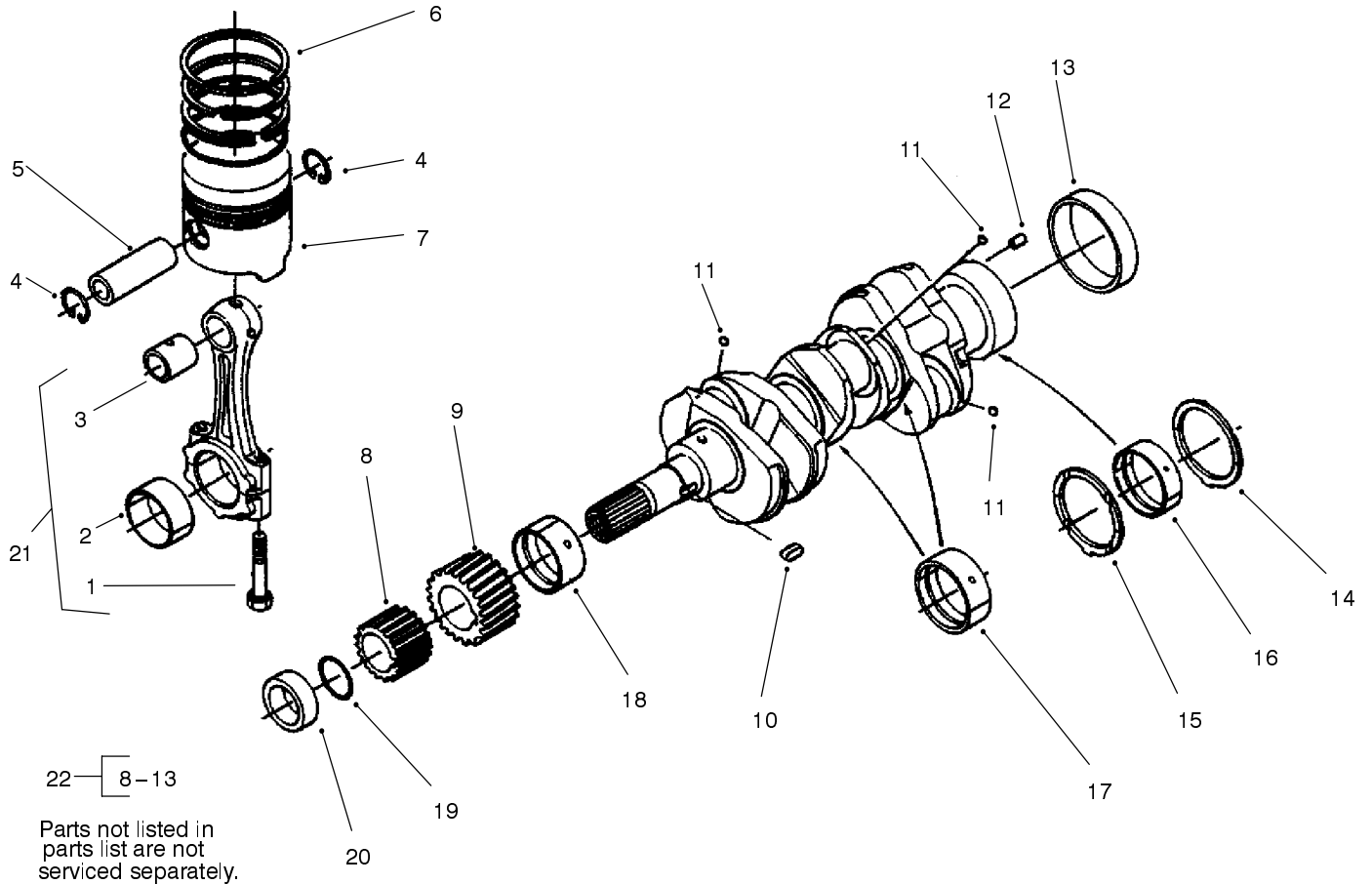


T-2914

Piston and Crankshaft Assembly

| Ref. No. | Part No. | Qty. | Description |
|----------|----------|------|----------------------------------|
| 1 | 98-9517 | 6 | Bolt-Rod, Connecting |
| 2 | 98-9518 | 3 | Metal-Crankpin (Std.) |
| 2 | 98-9519 | 3 | Metal-Crankpin (0.2mm Undersize) |
| 2 | 98-9520 | 3 | Metal-Crankpin (0.4mm Undersize) |
| 3 | 98-9515 | 3 | Bushing-Pin, Piston |
| 4 | 98-9514 | 6 | Clip-Circular, Piston Pin |
| 5 | 98-9513 | 3 | Pin-Piston |
| 6 | 98-9618 | 3 | Piston Ring ASM (Std.) |
| 6 | 98-9619 | 3 | Piston Ring ASM (0.5mm Oversize) |
| 7 | 98-9469 | 3 | Piston (Std.) |
| 7 | 98-9470 | 3 | Piston (0.5mm Oversize) |
| 8 | 98-9542 | 1 | Gear-Drive, Oil Pump |
| 9 | 98-9532 | 1 | Gear-Crankshaft |
| 10 | 98-9666 | 1 | Key |
| 11 | 98-7473 | 3 | Ball |
| 12 | 98-9375 | 1 | Pin-Straight |
| 13 | 98-9522 | 1 | Sleeve-Crankshaft |
| 14 | 98-9413 | 2 | Metal-Side (Std.) |
| 14 | 98-9414 | 2 | Metal-Side (0.2mm Oversize) |

| Ref. No. | Part No. | Qty. | Description |
|----------|----------|------|--|
| 14 | 98-9415 | 2 | Metal-Side (0.4mm Oversize) |
| 15 | 98-9688 | 2 | Metal-Side (Std.) |
| 15 | 98-9689 | 2 | Metal-Side (0.2mm Oversize) |
| 15 | 98-9690 | 2 | Metal-Side (0.4mm Oversize) |
| 16 | 98-9525 | 1 | Metal-Crankshaft (Std.) |
| 16 | 98-9526 | 1 | Metal-Crankshaft (0.2mm Undersize) |
| 16 | 98-9527 | 1 | Metal-Crankshaft (0.4mm Undersize) |
| 17 | 98-9524 | 2 | Metal-Crankshaft (Std. Set) |
| 17 | 98-9530 | 2 | Metal-Crankshaft (0.2mm Undersize Set) |
| 17 | 98-9531 | 2 | Metal-Crankshaft (0.4mm Undersize Set) |
| 18 | 98-9523 | 1 | Metal-Crankshaft (Std.) |
| 18 | 98-9528 | 1 | Metal-Crankshaft (0.2mm Undersize) |
| 18 | 98-9529 | 1 | Metal-Crankshaft (0.4mm Undersize) |
| 19 | 98-9373 | 1 | O-Ring |
| 20 | 98-9521 | 1 | Collar-Crankshaft |

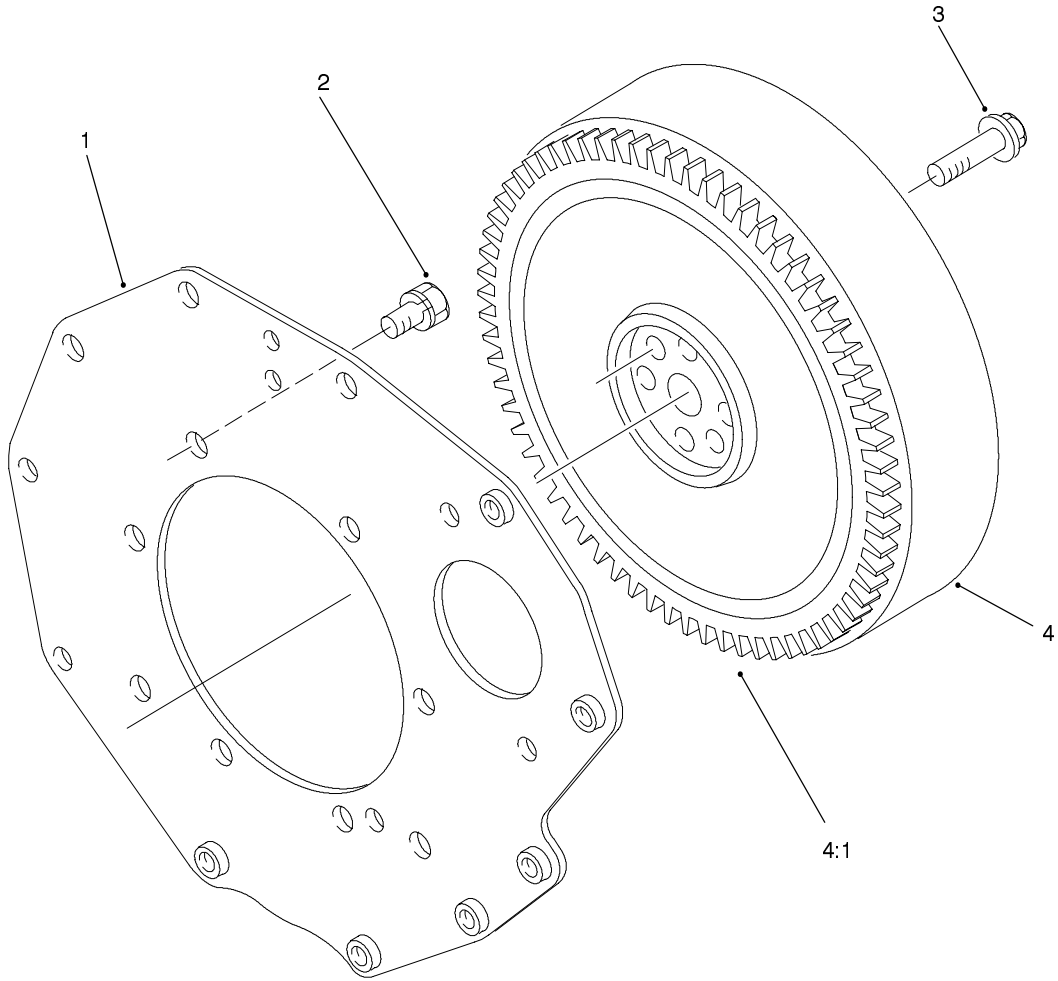


T-2914

Piston and Crankshaft Assembly (Continued)

| Ref. No. | Part No. | Qty. | Description |
|----------|----------|------|--------------------|
| 21 | 98-9516 | 3 | Connecting Rod ASM |
| 22 | 98-9642 | 1 | Crankshaft ASM |

| Ref. No. | Part No. | Qty. | Description |
|----------|----------|------|-------------|
| | | | |

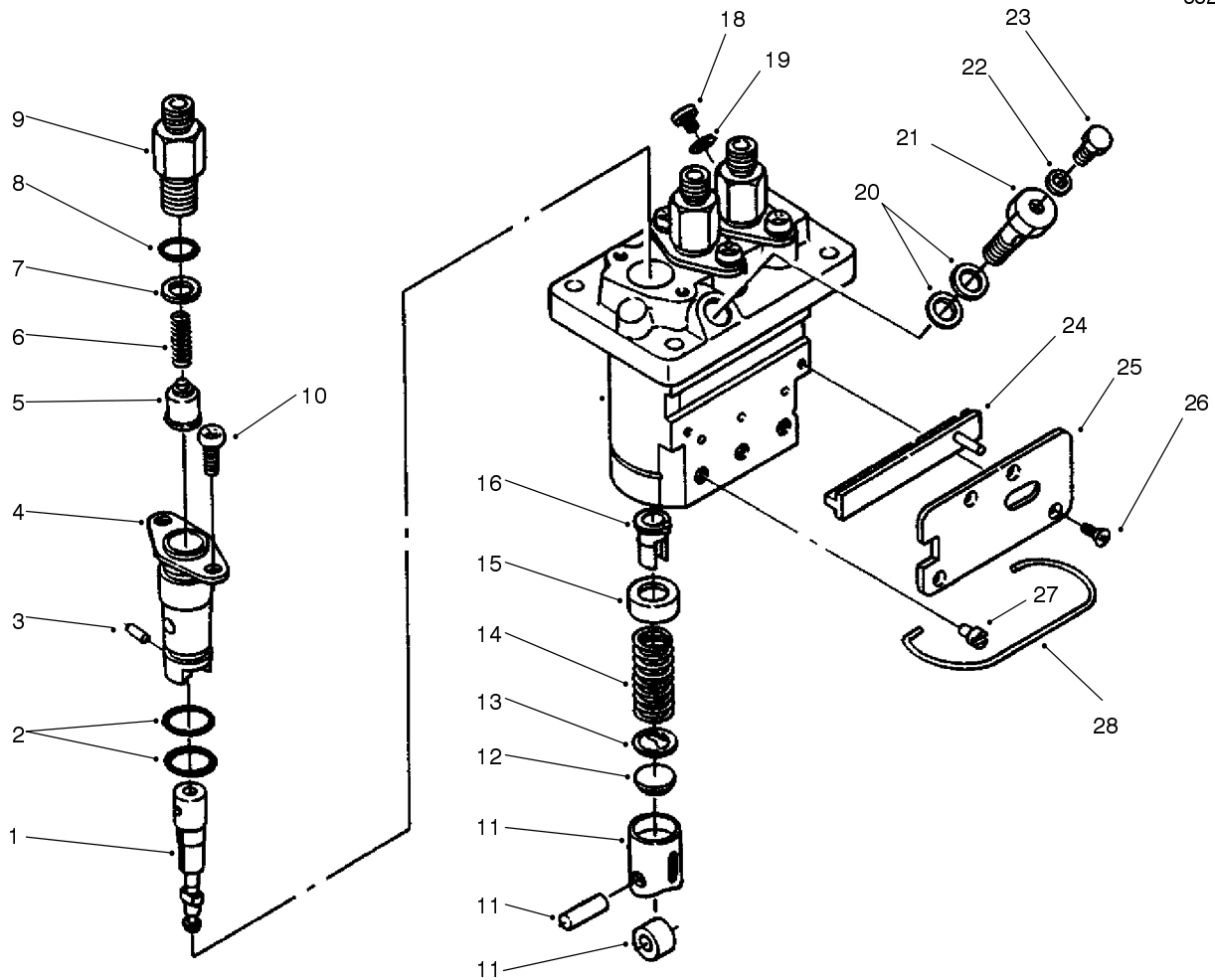


T-2915

Flywheel Assembly

| Ref. No. | Part No. | Qty. | Description |
|----------|----------|------|-----------------|
| 1 | 98-9486 | 1 | Plate-End, Rear |
| 2 | 98-9392 | 8 | Bolt |
| 3 | 98-9537 | 6 | Bolt-Flywheel |
| 4 | 98-9691 | 1 | Flywheel ASM |
| 4:1 | 98-9394 | 1 | Gear-Ring |

| Ref. No. | Part No. | Qty. | Description |
|----------|----------|------|-------------|
| | | | |
| | | | |
| | | | |
| | | | |

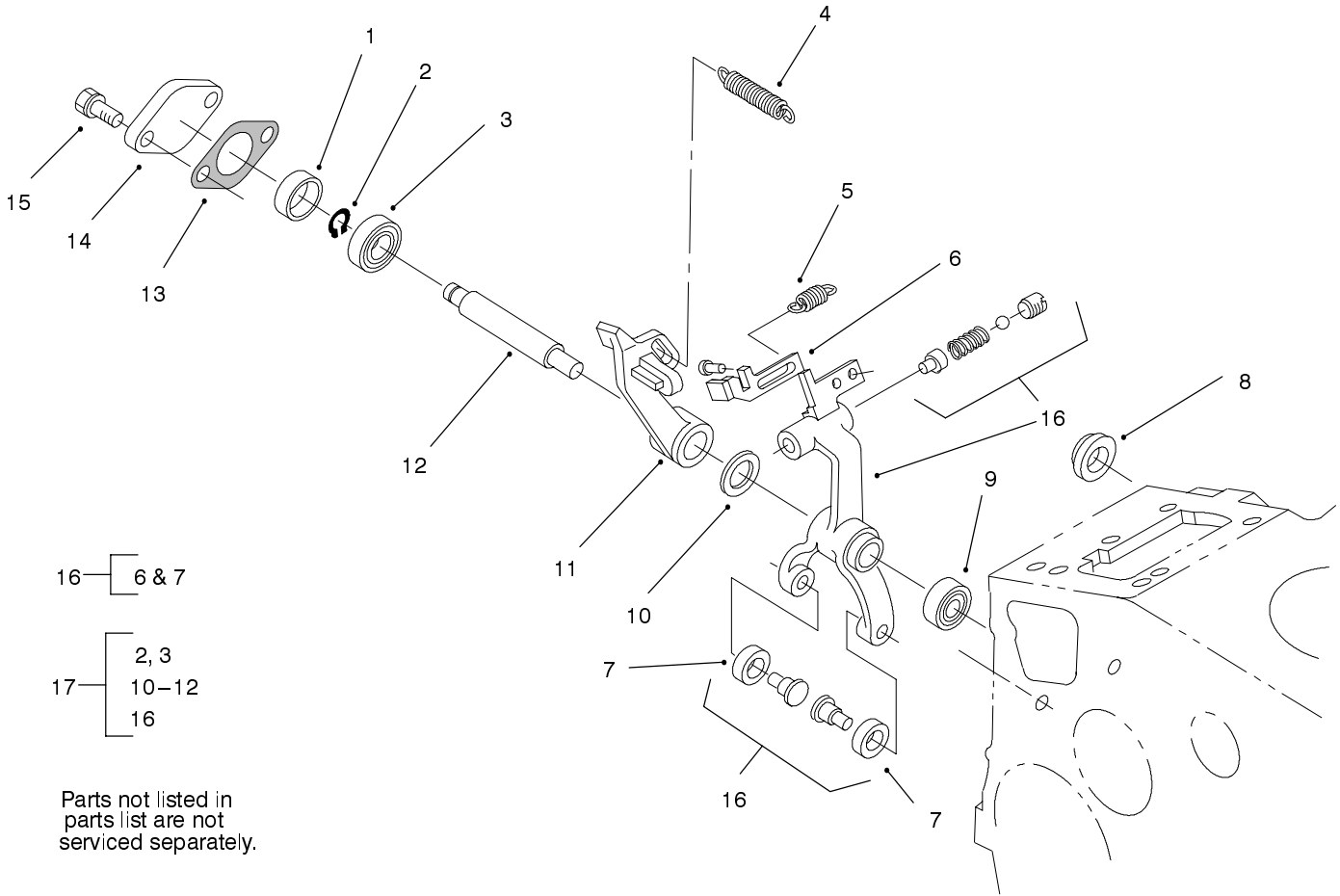


T-2920

Injection Pump Assembly No. 98-9643

| Ref. No. | Part No. | Qty. | Description |
|----------|----------|------|------------------------|
| 1 | 98-9462 | 3 | Element-Pump |
| 2 | 98-9423 | 6 | O-Ring |
| 3 | 98-9443 | 3 | Pin-Joint |
| 4 | 98-9434 | 3 | Flange-Sleeve |
| 5 | 98-9421 | 3 | Valve-Delivery |
| 6 | 98-9424 | 3 | Spring-Valve, Delivery |
| 7 | 98-9425 | 3 | Gasket-Valve, Delivery |
| 8 | 98-9447 | 3 | O-Ring |
| 9 | 98-9652 | 3 | Holder-Valve, Delivery |
| 10 | 98-9452 | 6 | Screw |
| 11 | 98-9422 | 3 | Tappet ASM |
| 12 | 98-9433 | 3 | Shim |
| 13 | 98-9429 | 3 | Seat-Spring, Lower |
| 14 | 98-9428 | 3 | Spring-Plunger |
| 15 | 98-9427 | 3 | Seat-Spring, Upper |
| 16 | 98-9432 | 3 | Sleeve-Control |
| 18 | 98-9466 | 1 | Plug |
| 19 | 98-9451 | 1 | Gasket |
| 20 | 98-9445 | 2 | Gasket |
| 21 | 98-9464 | 1 | Bolt-Joint |
| 22 | 98-9446 | 1 | Gasket |
| 23 | 98-9430 | 1 | Screw |
| 24 | 98-9463 | 1 | Rack-Control |
| 25 | 98-9465 | 1 | Plate |
| 26 | 98-9442 | 4 | Screw-Countersunk |

| Ref. No. | Part No. | Qty. | Description |
|----------|----------|------|-------------------|
| 27 | 98-9426 | 3 | Pin-Guide, Tappet |
| 28 | 98-9450 | 1 | Pin-Clamp |

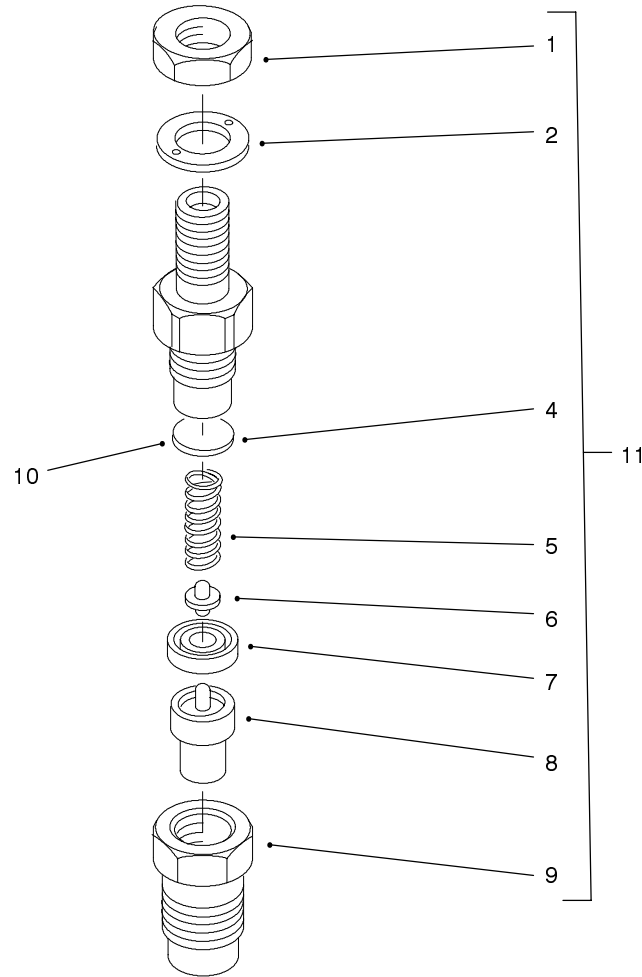


T-2921

Governor Assembly

| Ref. No. | Part No. | Qty. | Description |
|----------|----------|------|----------------------------|
| 1 | 98-9567 | 1 | Collar |
| 2 | 98-9369 | 1 | Clip-Circular, External |
| 3 | 98-9570 | 1 | Bearing-Miniature |
| 4 | 98-9681 | 1 | Spring-Governor |
| 5 | 98-9645 | 1 | Spring-Start |
| 6 | 98-9660 | 1 | Lever-Thrust |
| 7 | 98-9692 | 2 | Roller |
| 8 | 98-9568 | 1 | Collar |
| 9 | 98-9571 | 1 | Bearing-Miniature |
| 10 | 98-9593 | 1 | Washer-Flat |
| 11 | 98-9659 | 1 | Lever-Fork |
| 12 | 98-9566 | 1 | Shaft-Lever, Fork |
| 13 | 98-9682 | 1 | Gasket |
| 14 | 98-9569 | 1 | Cover-Shaft, Fork Lever |
| 15 | 98-9351 | 2 | Bolt |
| 16 | 99-8380 | 1 | Complete Lever & Fork |
| 17 | 98-9680 | 1 | Fork Lever ASM |

| Ref. No. | Part No. | Qty. | Description |
|----------|----------|------|-------------|
| | | | |



Parts not listed in parts list are not serviced separately.

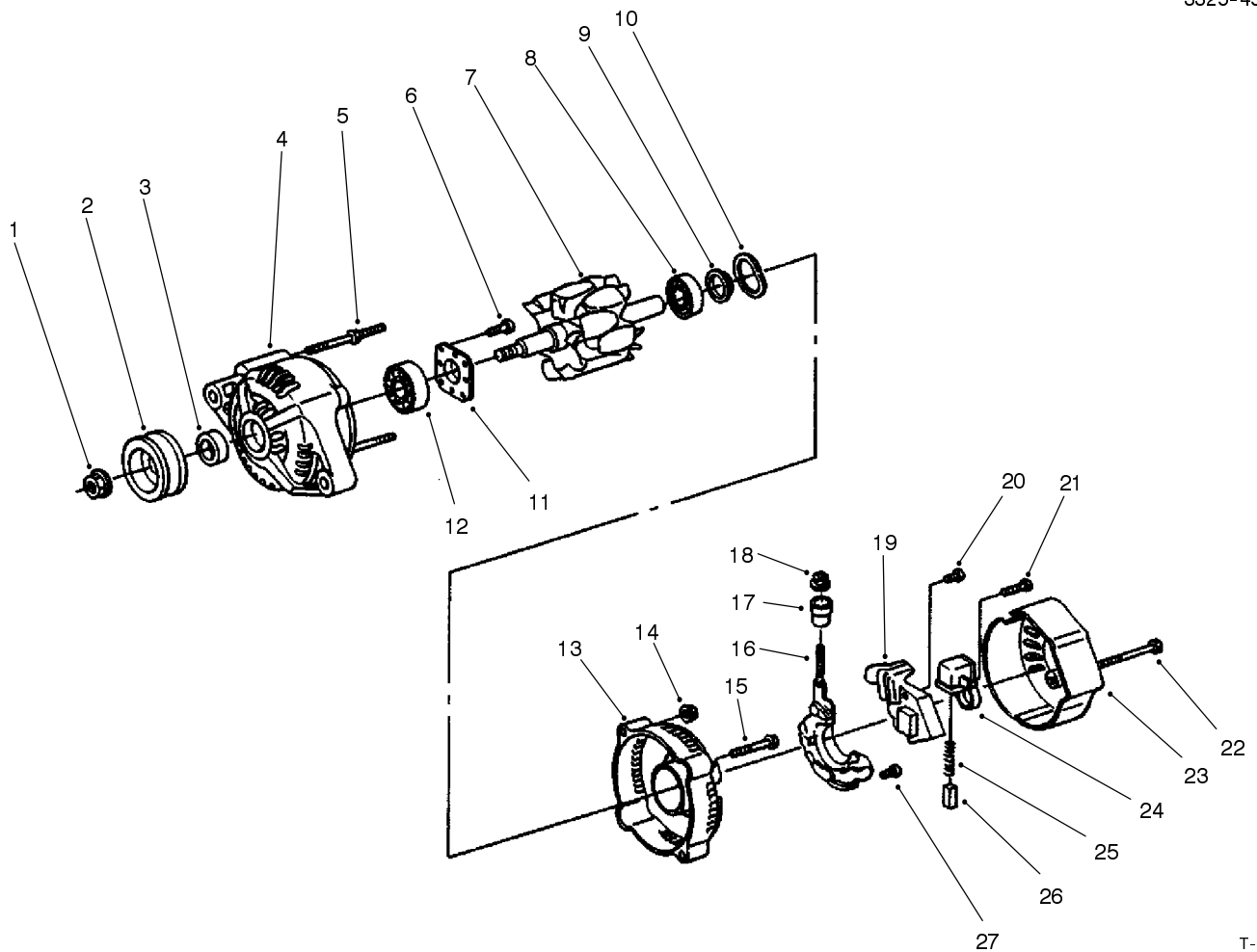
T-2924

Nozzle Holder Assembly 98-9468

| Ref. No. | Part No. | Qty. | Description |
|----------|----------|------|----------------------|
| 1 | 99-8301 | 3 | Nut |
| 2 | 99-8307 | 3 | Washer |
| 4 | 99-8302 | 3 | Washer-Adjusting |
| 5 | 99-8303 | 3 | Spring-Nozzle |
| 6 | 99-8305 | 3 | Rod-Push |
| 7 | 99-8304 | 3 | Piece-Distance |
| 8 | 99-8308 | 3 | Piece-Nozzle |
| 9 | 99-8306 | 3 | Nut-Nozzle |
| 10 | 99-8309 | 3 | Adjusting Washer ASM |
| * | 99-8310 | 3 | Washer-Adj. (0.10mm) |
| * | 99-8311 | 3 | Washer-Adj. (0.20mm) |
| 10 | 99-8312 | 3 | Washer-Adj. (0.30mm) |
| * | 99-8313 | 3 | Washer-Adj. (0.40mm) |
| * | 99-8314 | 3 | Washer-Adj. (0.50mm) |
| * | 99-8315 | 3 | Washer-Adj. (0.52mm) |
| * | 99-8316 | 3 | Washer-Adj. (0.54mm) |
| * | 99-8317 | 3 | Washer-Adj. (0.56mm) |
| * | 99-8318 | 3 | Washer-Adj. (0.58mm) |
| * | 99-8319 | 3 | Washer-Adj. (0.80mm) |
| 11 | 98-9468 | 3 | Nozzle Holder ASM |

| Ref. No. | Part No. | Qty. | Description |
|----------|----------|------|-------------|
| | | | |

* Not Illustrated.

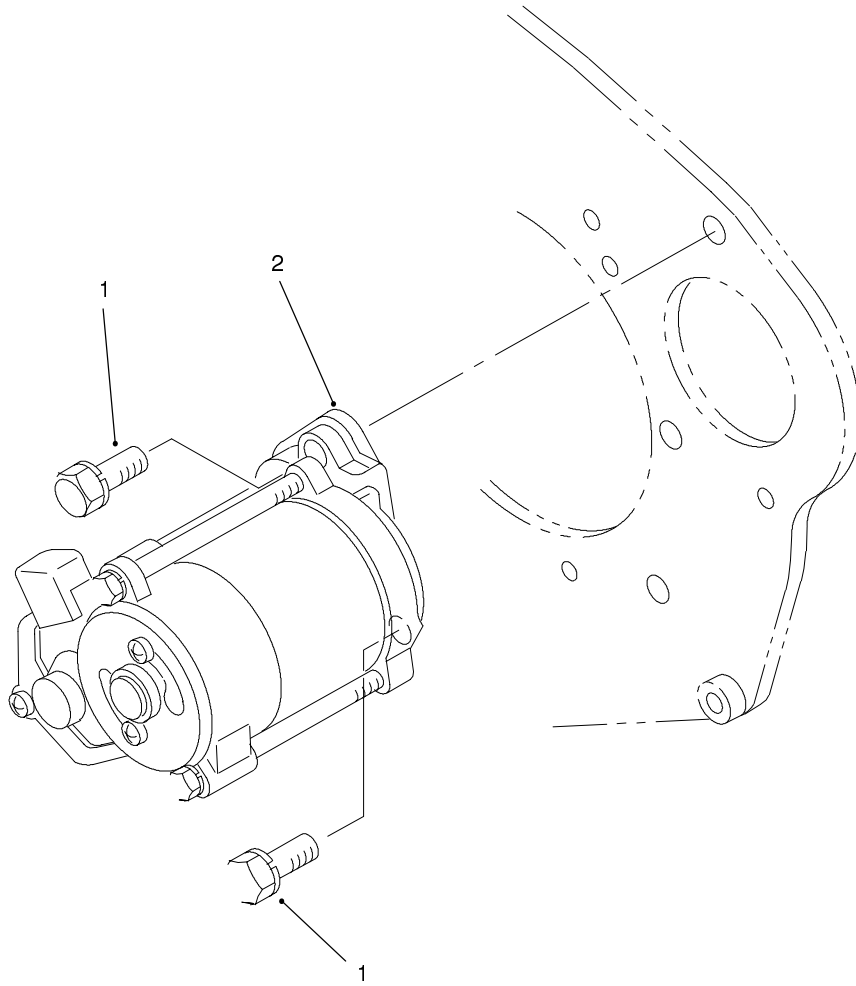


T-2927

Alternator Assembly No. 98-9474

| Ref. No. | Part No. | Qty. | Description |
|----------|----------|------|--------------------|
| 1 | 98-7708 | 1 | Nut |
| 2 | 98-9453 | 1 | Pulley-Dynamo |
| 3 | 98-7709 | 1 | Collar |
| 4 | 99-7714 | 1 | Frame-End, Drive |
| 5 | 98-7717 | 2 | Bolt-Through |
| 6 | 98-7716 | 4 | Screw-RH |
| 7 | 98-7710 | 1 | Rotor |
| 8 | 98-7712 | 1 | Bearing-Ball |
| 9 | 98-7711 | 1 | Cover-Bearing |
| 10 | 98-7713 | 1 | Washer-Thrust |
| 11 | 98-7715 | 1 | Plate-Retainer |
| 12 | 98-7718 | 1 | Bearing-Ball |
| 13 | 98-7719 | 1 | Frame-End |
| 14 | 98-7730 | 2 | Nut |
| 15 | 98-7731 | 2 | Bolt |
| 16 | 98-7721 | 1 | Rectifier ASM |
| 17 | 98-7722 | 1 | Bushing-Insulation |
| 18 | 98-7732 | 1 | Nut |
| 19 | 98-7733 | 1 | Regulator ASM |
| 20 | 98-7726 | 2 | Screw-RH |
| 21 | 98-7728 | 1 | Screw-RH |
| 22 | 98-7729 | 3 | Bolt |
| 23 | 98-7720 | 1 | Cover-End |
| 24 | 98-7723 | 1 | Holder-Brush |
| 25 | 98-7725 | 2 | Spring-Brush |

| Ref. No. | Part No. | Qty. | Description |
|----------|----------|------|-------------|
| 26 | 98-7724 | 2 | Brush |
| 27 | 98-7727 | 6 | Screw-RH |

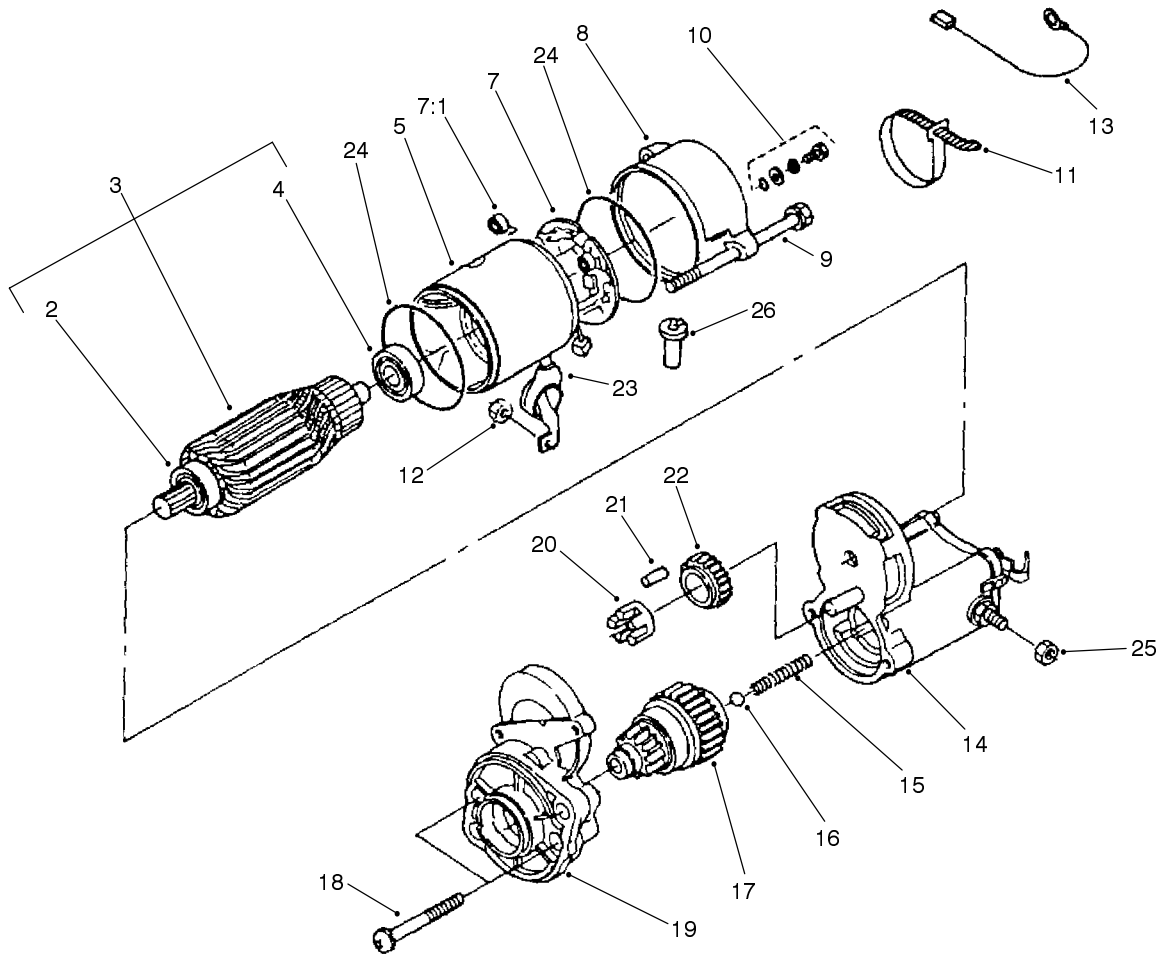


T-2928

Starter Mount Assembly

| Ref. No. | Part No. | Qty. | Description |
|----------|----------|------|-------------|
| 1 | 98-7697 | 2 | Bolt |
| 2 | 98-9705 | 1 | Starter Asm |

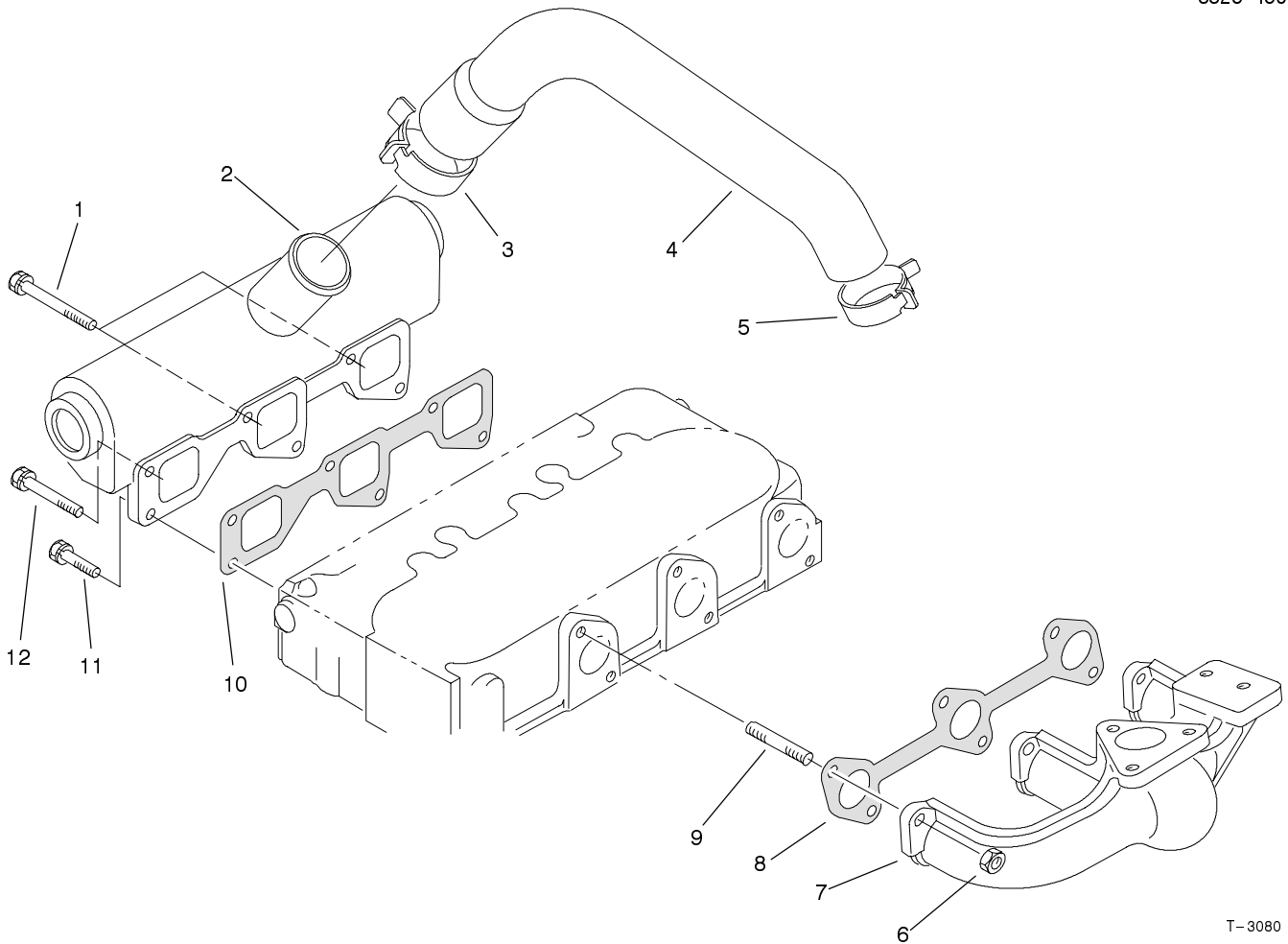
| Ref. No. | Part No. | Qty. | Description |
|----------|----------|------|-------------|
| | | | |
| | | | |
| | | | |
| | | | |
| | | | |
| | | | |
| | | | |
| | | | |
| | | | |



T-3081

Starter Assembly No. 98-9705

| Ref. No. | Part No. | Qty. | Description | Ref. No. | Part No. | Qty. | Description |
|----------|----------|------|---------------------|----------|----------|------|-------------|
| 2 | 98-7743 | 1 | Bearing-Ball | | | | |
| 3 | 98-7742 | 1 | Armature ASM | | | | |
| 4 | 98-7744 | 1 | Bearing-Ball | | | | |
| 5 | 98-7741 | 1 | Yoke ASM | | | | |
| 7 | 98-7749 | 1 | Brush Holder ASM | | | | |
| 7:1 | 98-7750 | 4 | Spring-Brush | | | | |
| 8 | 99-8370 | 1 | Frame-End | | | | |
| 9 | 98-9549 | 2 | Bolt | | | | |
| 10 | 98-7758 | 2 | Bolt ASM | | | | |
| 11 | 98-9712 | 1 | Band-Cover | | | | |
| 12 | 99-8371 | 1 | Nut-Hex | | | | |
| 13 | 98-9711 | 1 | Cord-Stop, Solenoid | | | | |
| 14 | 99-8372 | 1 | Magnetic Switch ASM | | | | |
| 15 | 98-7754 | 1 | Spring | | | | |
| 16 | 98-7755 | 1 | Ball | | | | |
| 17 | 99-8373 | 1 | Clutch | | | | |
| 18 | 98-7756 | 2 | Bolt | | | | |
| 19 | 99-8374 | 1 | Frame-End, Drive | | | | |
| 20 | 98-7752 | 1 | Retainer | | | | |
| 21 | 98-7753 | 5 | Roller | | | | |
| 22 | 98-7751 | 1 | Gear | | | | |
| 23 | 99-8375 | 1 | Cover-Cord | | | | |
| 24 | 98-7757 | 2 | O-Ring | | | | |
| 25 | 99-8376 | 1 | Nut | | | | |
| 26 | 98-7759 | 1 | Pipe-Drain | | | | |



T-3080

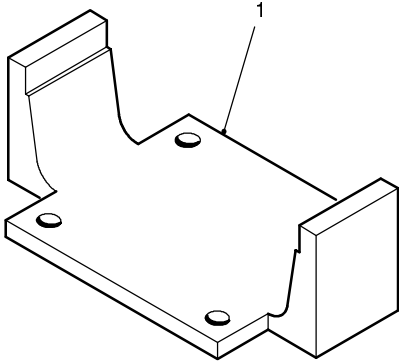
Exhaust Manifold and Gasket Assembly

| Ref. No. | Part No. | Qty. | Description |
|----------|----------|------|------------------------|
| 1 | 99-8320 | 2 | Bolt |
| 2 | 99-8321 | 1 | Manifold-Inlet |
| 3 | 99-8322 | 1 | Band-Pipe |
| 4 | 99-8323 | 1 | Hose-Inlet |
| 5 | 99-8324 | 1 | Band-Pipe |
| 6 | 98-9665 | 6 | Nut |
| 7 | 99-8326 | 1 | Manifold-Exhaust |
| 8 | 99-8327 | 1 | Gasket-Exhaust |
| 9 | 98-9588 | 6 | Stud |
| 10 | 99-8329 | 1 | Gasket-Manifold, Inlet |
| 11 | 98-7568 | 6 | Bolt |
| 12 | 98-7496 | 1 | Bolt |

| Ref. No. | Part No. | Qty. | Description |
|----------|----------|------|-------------|
| | | | |
| | | | |
| | | | |
| | | | |
| | | | |

Special Tools

AXLE TOOL NO. *TOR859920



T-1325-1

| Ref. No. | Part No. | Description | No. Used |
|----------|----------|-------------|----------|
| 1 | | Tool-Axle | 1 |

