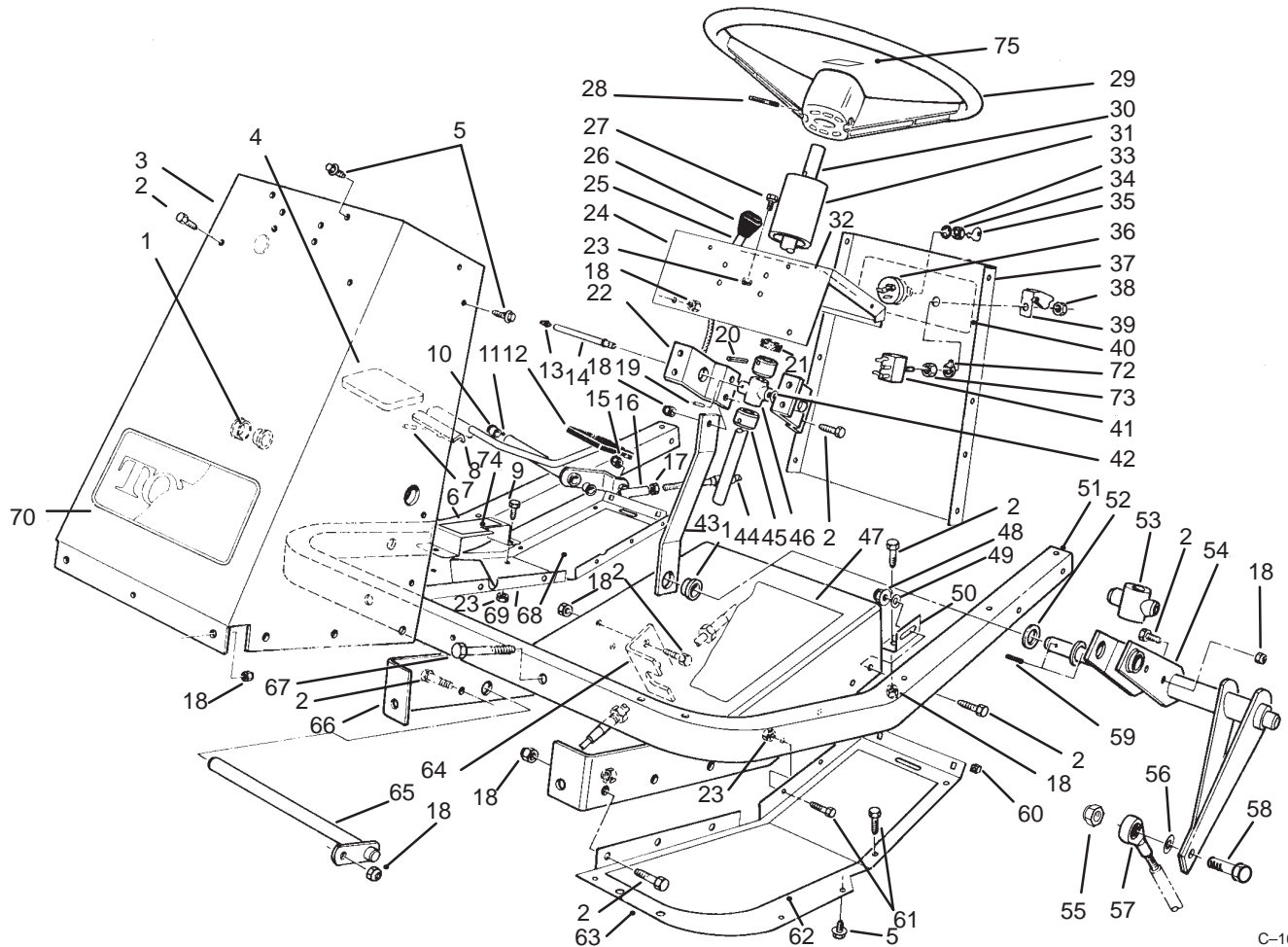




MODEL NO. 30612-210000001 & Up

**PARTS  
CATALOG**

**GROUNDMASTER® 120**

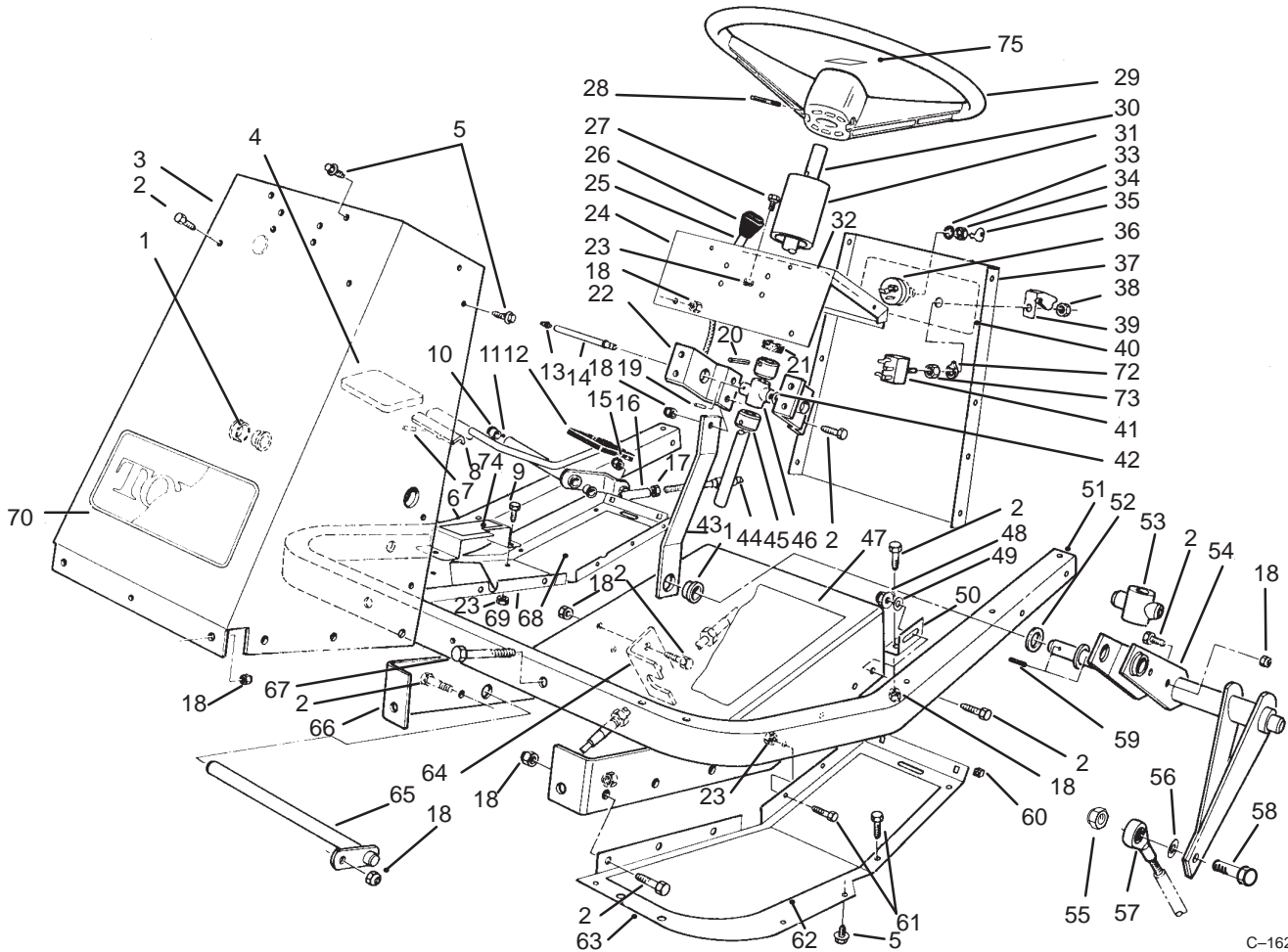


C-1626

**Frame & Steering Assembly**

Ref. No.	Part No.	Description	No. Used
1	27-9080	Bushing	3
2	322-4	Screw - Hex. Hd.	19
3	54-1900	Tower - Front	1
4	49-6470	Pad - Accelerator	1
5	46-8560	Screw - Hex. Hd.	21
6	80-4930	Footrest - Pedal	1
7	32121-51	Pin - Roll	1
8	80-4920	Pedal - Accelerator	1
9	321-3	Screw - Hex. Hd.	2
10	256-156	Bushing	2
11	74-0110	Pedal - Traction (Incl. Ref. #10)	1
12	49-6430	Pad - Reverse	1
13	302-22	Fitting - Grease	1
14	59-1610	Tube - Grease Fitting	1

Ref. No.	Part No.	Description	No. Used
15	3296-3	Nut - Hex.	1
16	2411-34	Ball Joint	1
17	3220-1	Nut - Jam	1
18	3296-29	Nut - Lock	24
19	32121-20	Pin - Roll	1
20	32121-31	Pin - Roll	2
21	21-9260	Cover - Dust	1
22	54-1950	Bracket - Support Bearing	2
23	3296-42	Nut - Lock	16
24	54-1000	Tower - Top	1
25	54-1451	Control - Throttle, Choke	2
26	66-0120	Knob	2
27	321-2	Screw - Hex. Hd.	4
28	32121-10	Pin - Roll	1

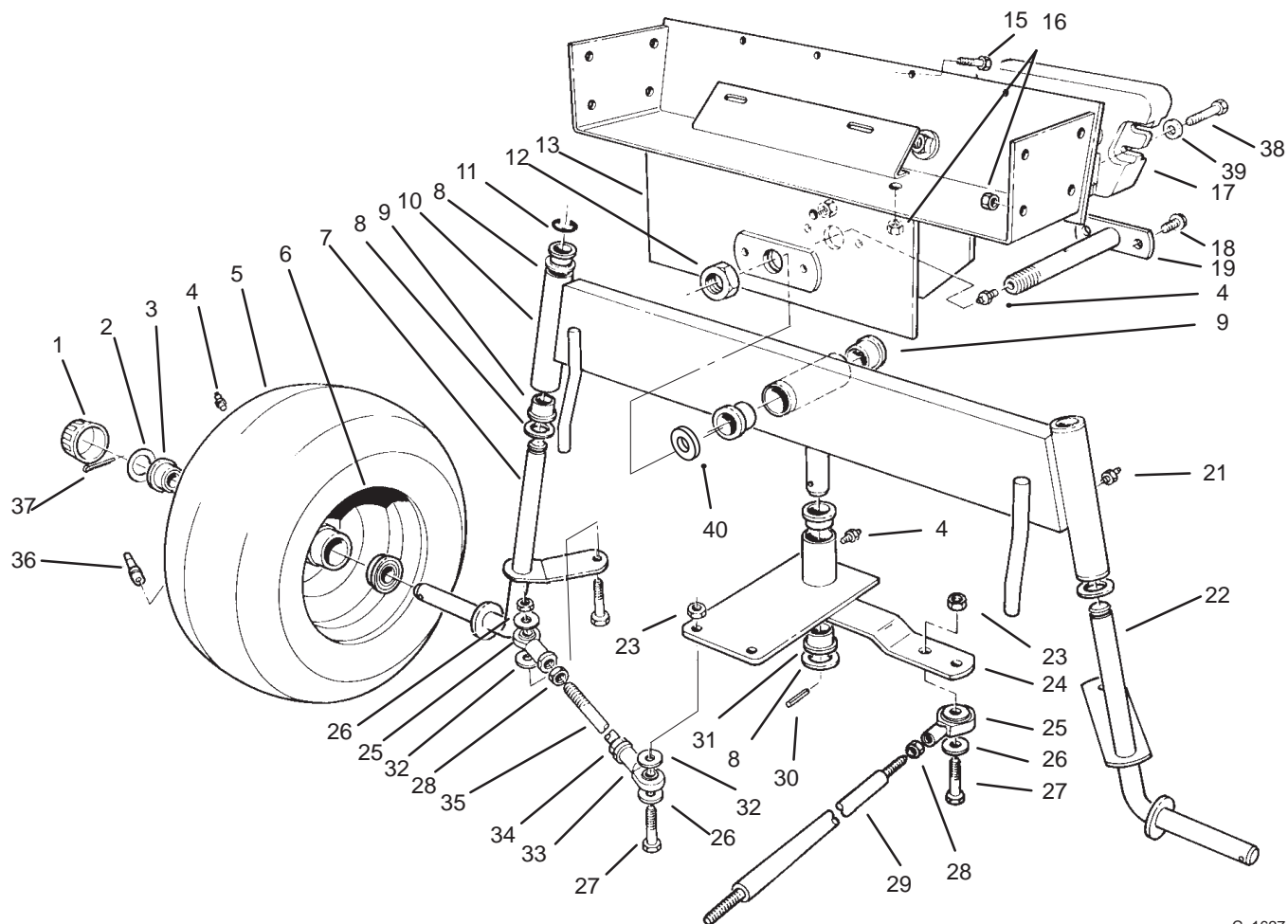


C-1626

## Frame & Steering Assembly (Continued)

Ref. No.	Part No.	Description	No. Used
29	98-1467	Wheel - Steering	1
30	54-1420	Shaft - Steering	1
31	47-1980	Cover Steering Shaft	1
32	92-6278	Decal - Throttle Choke	1
33	3254-5	Washer - Lock	1
34	218-461	Nut - Lock	1
35	63-8360	Key	2
36	88-9830	Switch - Ignition (Incl. Ref. #33-35)	1
37	92-6266	Panel - Tower Rear	1
38	113179	Nut	1
39	113050	Cover - P.T.O. Switch	1
40	92-6277	Decal - Switch	1
41	116716	Switch - Clutch & Brake (Incl. Ref. # 38, 72 & 73)	1
42	3290-440	Washer - Belleville	1
43	54-1340	Link - Steering	1
44	54-2640	Cable - Traction Control	1
45	28-3940	Collar - Steering Shaft	2
46	60-9050	Bearing - Steering Shaft	1
47	54-0880	Decal - Tunnel	1
48	32128-20	Nut - Flange Lock	1
49	3256-23	Washer - Flat	4
50	54-1440	Bracket - Tunnel	2

Ref. No.	Part No.	Description	No. Used
51	60-9140	Frame - Footrest	1
52	3-6498	Washer - Thrust	2
53	54-2630	Follower - Steering Shaft	1
54	54-2040	Follower Lever	1
55	3296-48	Nut - Lock	1
56	3256-4	Washer - Flat	1
57	251-304	Rod End	1
58	324-6	Screw - Hex. Hd.	1
59	32121-77	Pin Roll	2
60	32115-5	Nut - Square	4
61	321-4	Screw - Hex. Hd.	9
62	54-2260	Pad Footrest L.H.	1
63	54-1470	Footrest - L.H.	1
64	54-1770	Bracket - Cable Traction	1
65	59-1550	Pedal - Shaft	1
66	60-9150	Tunnel	1
67	322-10	Screw - Hex. Hd.	2
68	54-2270	Pad - Footrest R.H.	1
69	80-4910	Footrest - R.H.	1
70	62-7400	Decal - Toro	1
72	102950	Washer	1
73	105805	Nut	1
74	82-4720	Pad - Footrest	1
75	98-1459	Decal - Toro	1

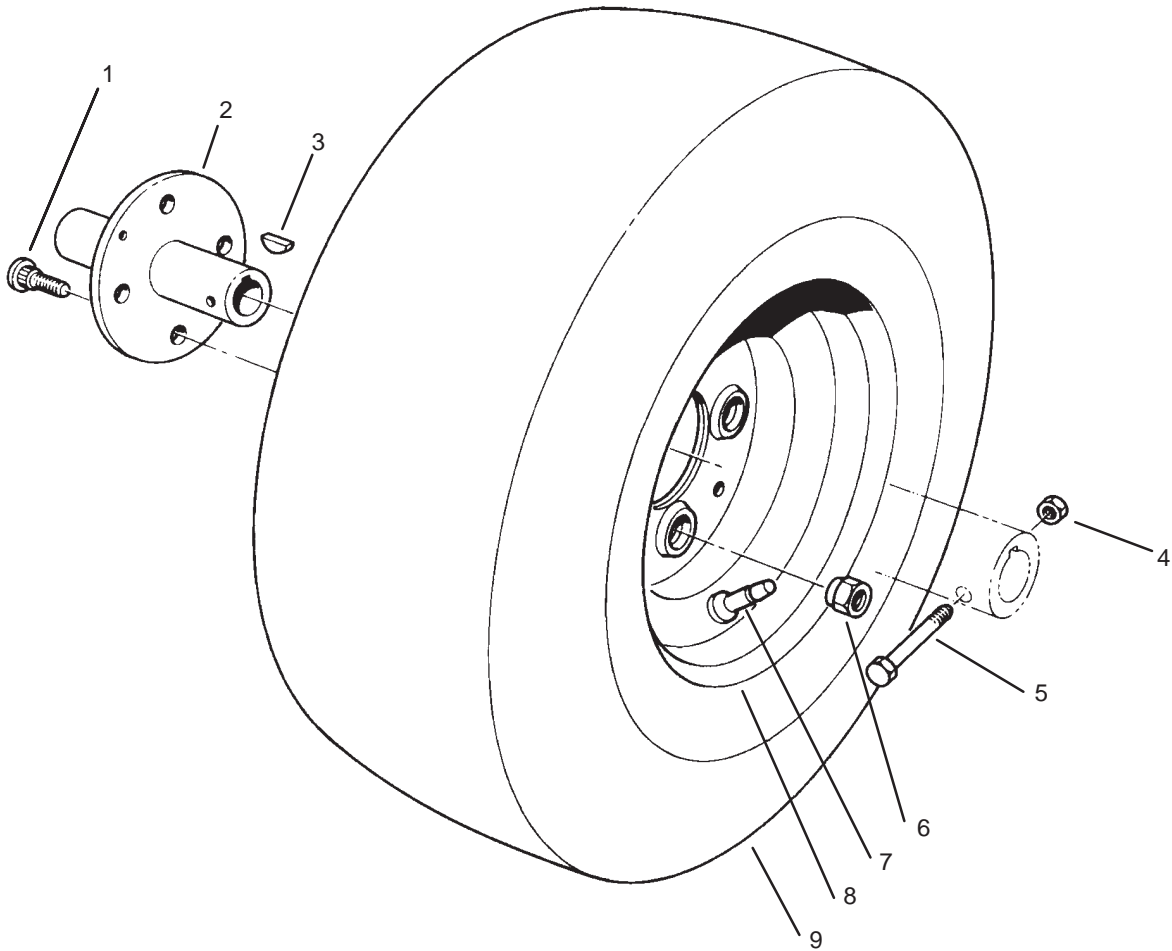


C-1627

## Rear Axle Assembly

Ref. No.	Part No.	Description	No. Used
1	61-9780	Hub Cap	2
2	28-2480	Washer - Flat	2
3	251-210	Bearing - Ball	4
4	302-5	Fitting - Grease	4
5	231-126	Tire	2
6	242-60	Rim	2
7	54-0570	Spindle R.H.	1
8	3-6498	Washer - Thrust	5
9	46-6680	Bushing	6
10	92-6255	Axle - Rear (Incl. Ref. #9 & 20)	1
11	32151-48	Ring - Retaining	2
12	3296-41	Nut - Hex.	1
13	54-0330	Frame - Rear	1
15	321-4	Screw	4
16	3296-29	Nut	8
17	24-5790	Weight - Rear	1
18	32144-15	Screw	2
19	59-1500	Pivot - Axle	1
21	302-49	Fitting - Grease	3

Ref. No.	Part No.	Description	No. Used
22	54-0560	Spindle L. H.	1
23	3296-48	Nut	5
24	92-6257	Plate- Pivot (Incl. Ref. #4 & 30)	1
25	251-305	Rod End	3
26	3256-4	Washer - Flat	6
27	324-7	Screw	5
28	3220-4	Nut - Jam	3
29	54-1491	Rod - Steering , Rear	1
30	32121-51	Pin - Roll	1
31	27-9080	Bushing	2
32	62-4420	Spacer	81
33	251-304	Rod End	2
34	3220-19	Nut - Jam	2
35	57-3100	Tie Rod - Steering	2
36	232-27	Valve Stem w/Cap	2
37	3272-12	Pin - Cotter	2
38	325-6	Screw	2
39	3253-7	Washer	2
40	3256-9	Washer	1

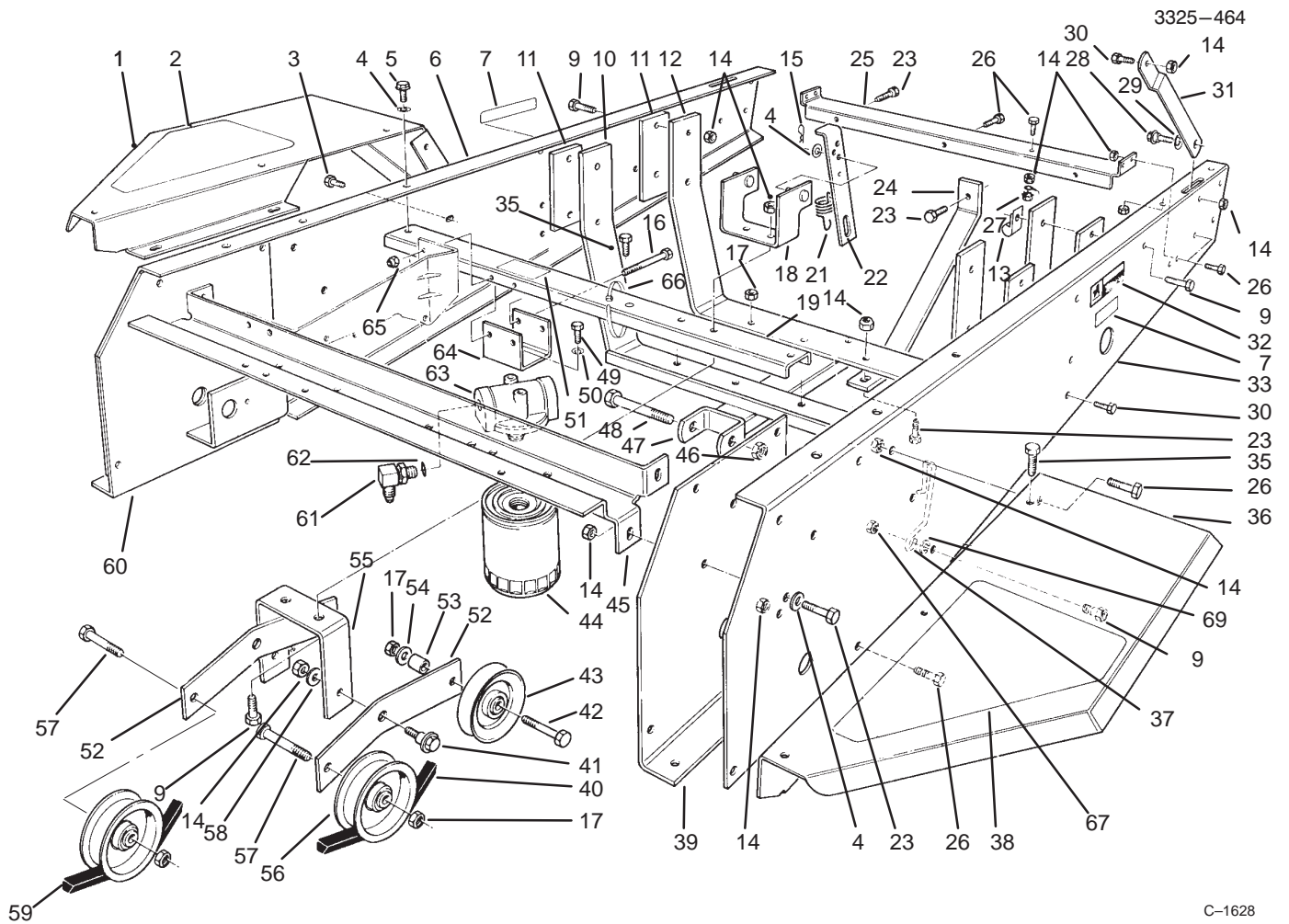


T-0071

### Front Wheel Assembly

Ref. No.	Part No.	Description	No. Used
1	242-71	Bolt - Wheel	8
2	54-0140	Hub - Wheel	2
3	3257-10	Key - Woodruff	2
4	3296-29	Nut - Lock	2
5	322-10	Screw	2

Ref. No.	Part No.	Description	No. Used
6	242-50	Nut	8
7	232-27	Valve Stem w/Cap	2
8	242-76	Rim	2
9	231-122	Tire	2

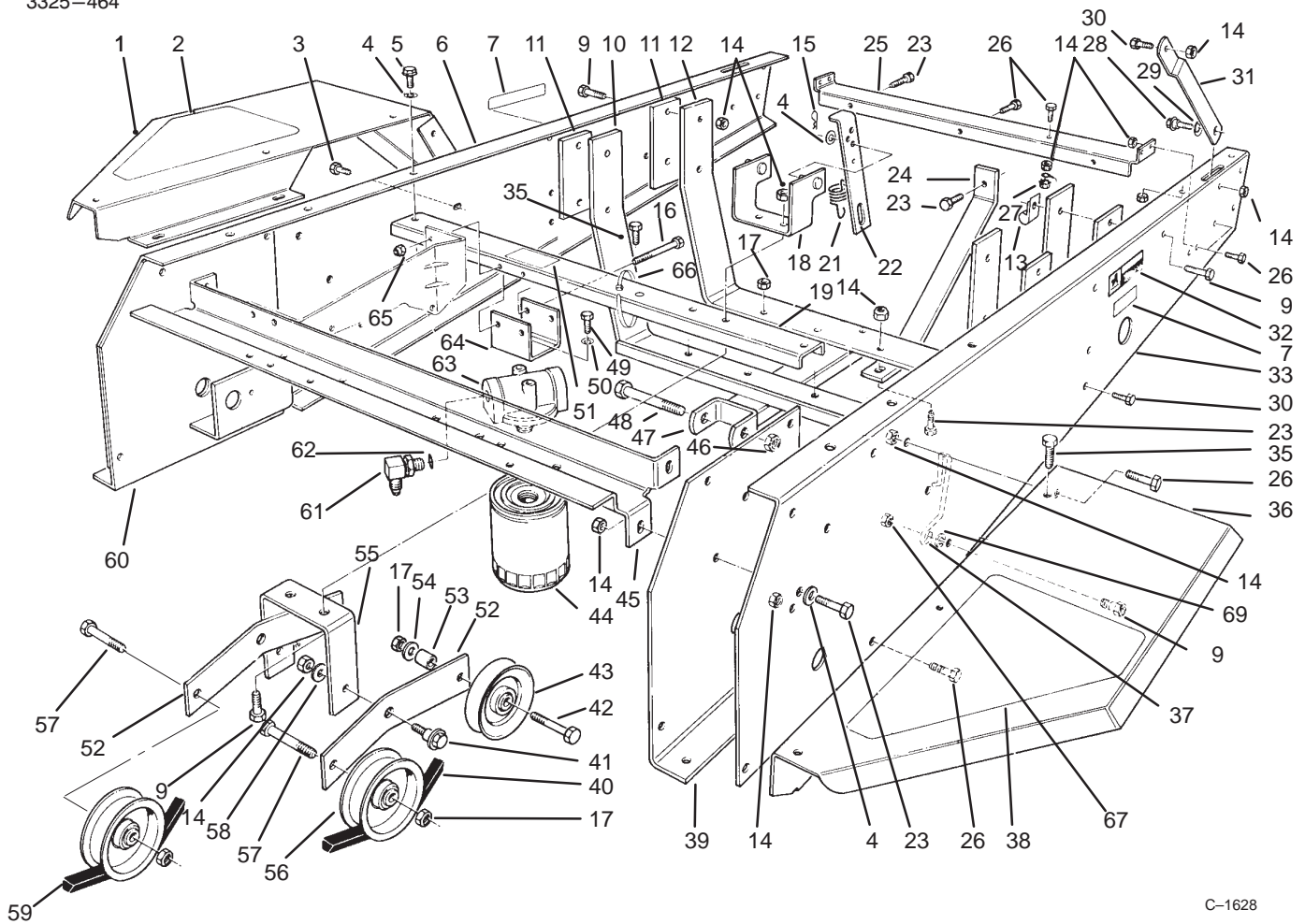


C-1628

## Frame & Jackshaft Assembly

Ref. No.	Part No.	Description	No. Used
1	54-1930	Fender R.H.	1
2	92-6292	Pad - Fender R.H.	1
3	3234-14	Screw	4
4	3256-23	Washer - Flat	8
5	32144-11	Screw - Thread Forming	2
6	54-1910	Channel - Side R.H.	1
7	77-3100	Decal - Caution	2
9	322-6	Screw	18
10	92-6250	Mount - Engine	1
11	54-1810	Plate - Engine, Rear	4
12	92-6251	Mount - Engine	1
13	2412-100	"J" Clamp	2
14	3296-29	Nut	33
15	3290-250	Pin - Cotter	2
16	321-14	Screw	2
17	3296-44	Nut	4
18	54-2070	Anchor - Spring	1
19	98-0794	Channel - Middle	1
20	323-7	Screw	3
21	54-1410	Spring - Idler	2
22	54-1130	Link - Idler Anchor	2

Ref. No.	Part No.	Description	No. Used
24	92-6254	Bar - Tension	1
25	54-1830	Support - Shield	1
26	322-4	Screw	13
27	32149-1	Nut - Lock	1
28	27-0410	Bolt - Shoulder	2
29	3290-211	Washer - Spring	2
30	322-3	Screw	2
31	54-1870	Stop - Hood, Lower	2
32	54-0910	Decal - Warning	1
33	54-1920	Channel - Side L.H.	1
35	46-8560	Screw	7
36	54-1940	Fender L.H.	1
37	55-4860	Guide - Belt	1
38	92-6293	Pad - Fender L.H.	1
39	54-0460	Axle Stand - L.H.	1
40	54-1380	JackShaft - "V" Belt	1
41	19-1470	Bolt - Shoulder	2
42	323-11	Screw	2
43	62-4530	Idler - "V" Belt	2
44	54-0110	Filter - Transmission Oil	1
45	54-1010	Channel - Front	1

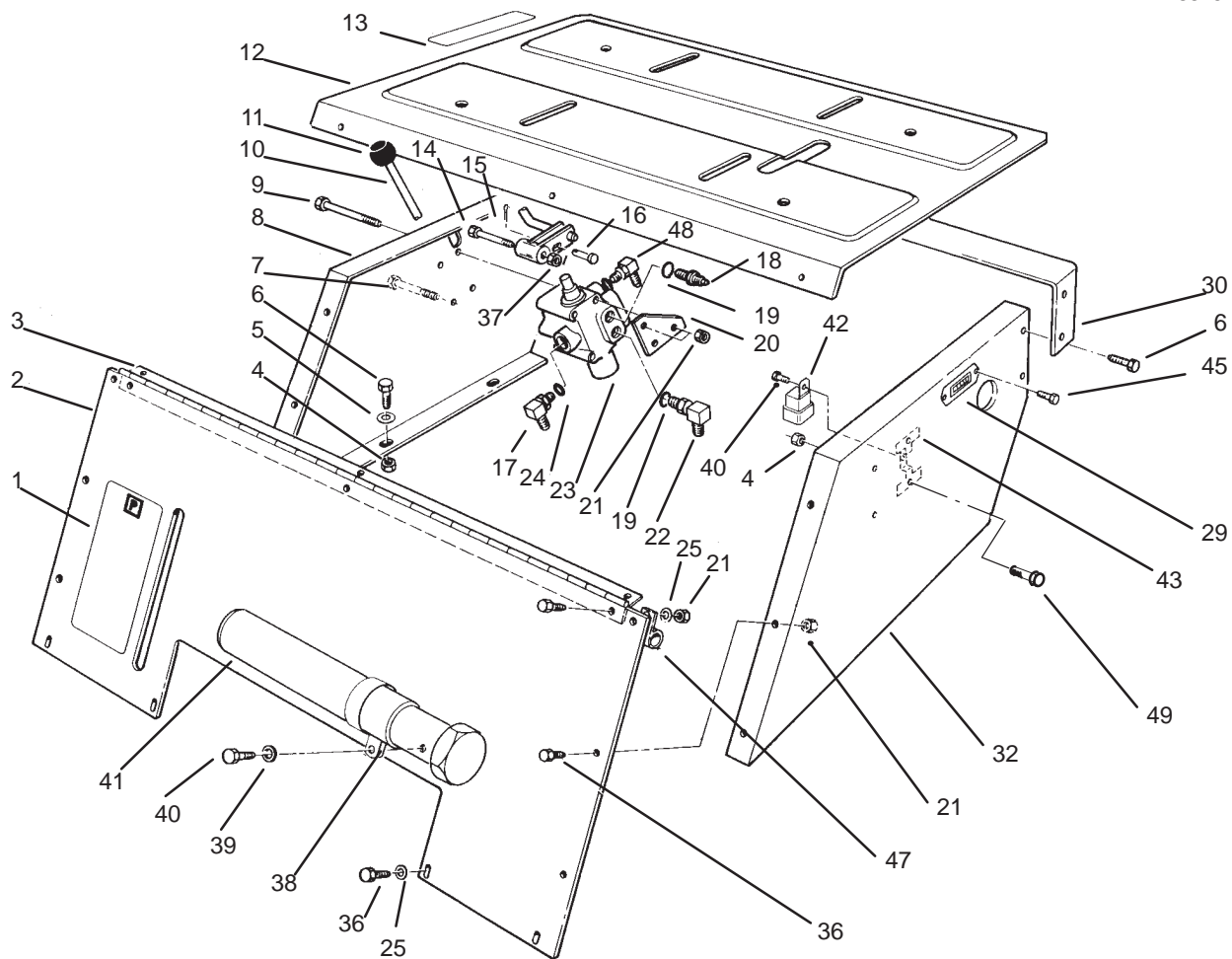


C-1628

## Frame & Jackshaft Assembly (Continued)

Ref. No.	Part No.	Description	No. Used
46	3296-61	Nut	1
47	92-6252	Mount - Cylinder	1
48	327-24	Screw	1
49	321-3	Screw	2
50	3253-3	Washer - Lock	2
51	53-4430	Decal - Oil	1
52	98-0795	Lever - Idler	2
53	37-7250	Spacer	2
54	3256-3	Washer - Flat	2
55	98-0792	Bracket - Idler Mount	1
56	62-4540	Idler - Flat	2

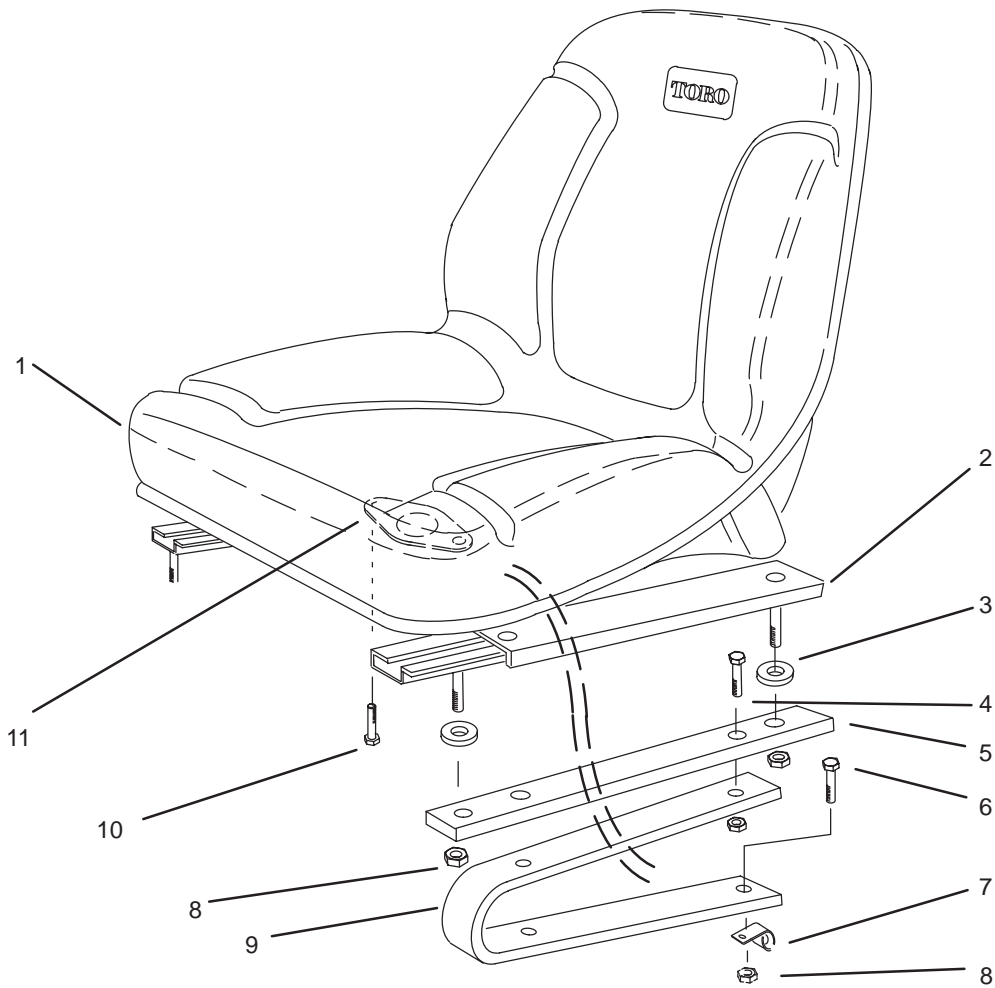
Ref. No.	Part No.	Description	No. Used
57	323-9	Screw	2
58	23-1120	Washer - Flat	2
59	54-1390	"V" Belt - Traction	1
60	54-0450	Axle Stand R.H.	1
61	340-3	Adapter	2
63	86-9080	Head - Filter	1
64	54-1120	Bracket - Filter Head	1
65	3296-42	Nut - Lock	2
66	3290-379	Cable Tie	7
67	32128-20	Nut - Flange Lock	1
69	3255-8	Washer - Lock, Ext. Tooth	1



C-2817

## Seat Support Assembly

Ref. No.	Part No.	Description	No. Used	Ref. No.	Part No.	Description	No. Used
1	54-0920	Decal - Parking Brake	2	21	3296-42	Nut - Lock	19
2	80-3760	Support - Seat, Front	1	22	353-375	Fitting - 90°	1
3	54-1310	Hinge - Seat	1	23	54-0090	Valve Assembly	1
4	3296-29	Nut	12	24	237-42	"O"Ring	2
5	3256-23	Washer - Flat	6	25	3256-1	Washer - Flat	11
6	322-4	Screw	10	29	75-6820	Meter - Hour	1
7	321-14	Screw	2	30	54-1550	Support - Hood	1
8	54-1220	Support - Seat R.H.	1	32	92-5435	Support - Seat L.H.	1
9	321-23	Screw	2	36	321-4	Screw	14
10	82-4680	Lever - Valve	1	37	3296-39	Nut	1
11	233-37	Knob	1	38	2412-120	"R"Clamp	2
12	92-6281	Plate - Seat	1	39	3256-51	Washer	2
13	54-0900	Decal - Lift Control	1	40	32144-73	Screw	4
14	56-6590	Screw	1	41	74-0720	Tube - Manual	1
15	3272-6	Pin - Cotter	1	42	63-7590	Relay	1
16	283-17	Pin - Clevis	1	43	92-6259	Bracket	1
17	353-511	Fitting	1	45	32144-18	Screw	2
18	353-545	Fitting	1	47	2412-100	Clamp - Wire	1
19	237-78	"O"Ring	2	48	340-98	Fitting	1
20	82-4700	Bracket - Lever, Valve	1	49	322-2	Screw-HH	3



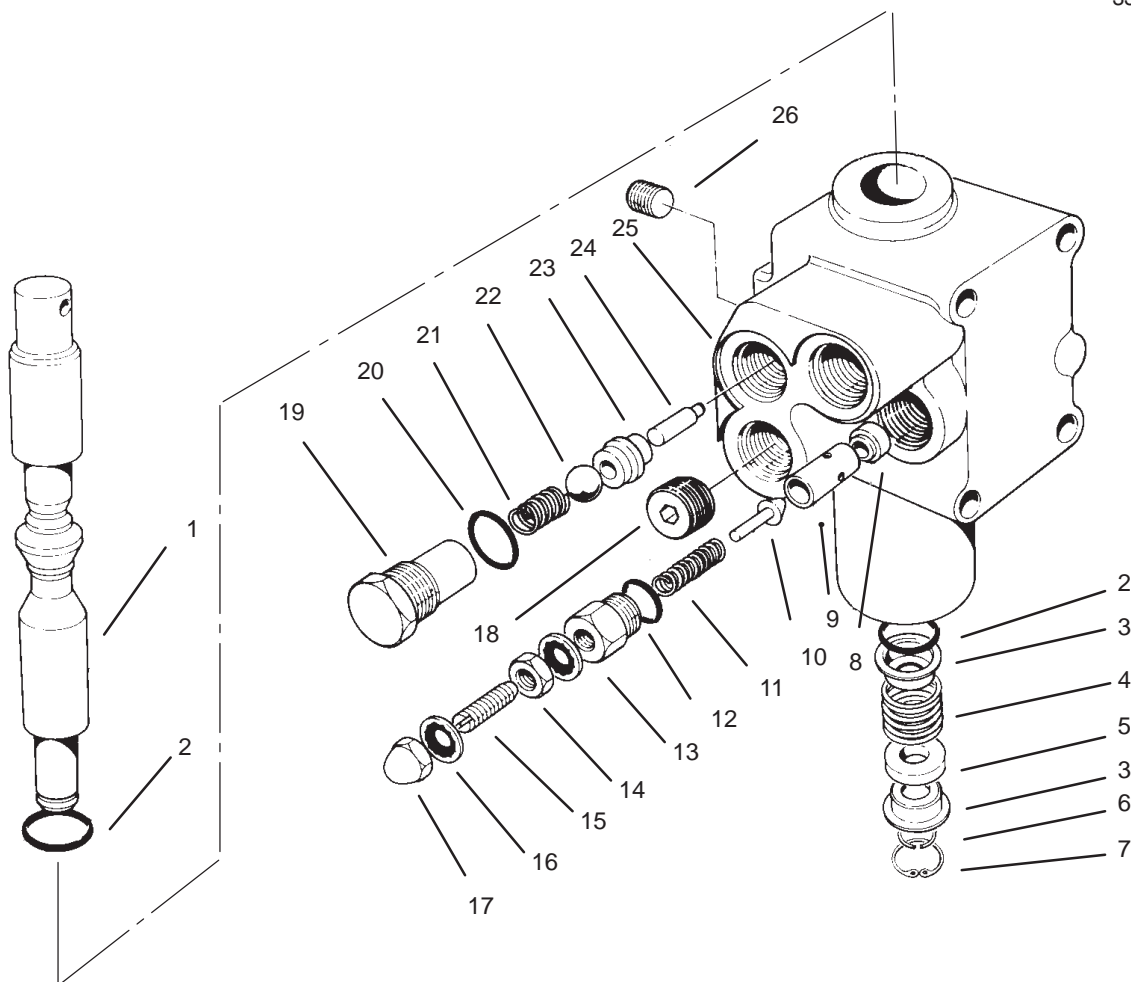
C-1603

## Seat Assembly

Ref. No.	Part No.	Description	No. Used
1	92-6280	Seat	1
2	51-0790	Slide Seat Adjust Assembly	1
*	51-0780	Slide Seat Assembly R.H.	1
3	109989	Spacer	4
4	322-4	Screw	4
5	92-6284	Plate - Adapter, Seat	2
6	322-5	Screw	4

Ref. No.	Part No.	Description	No. Used
7	2412-93	Clamp - Hose	1
8	3296-29	Nut - Lock	8
9	114263	Spring - Seat	2
10	321-3	Screw	2
11	92-6282	Switch - Seat	1
*	92-6533	Cushion - Replacement	1

\* Not Illustrated

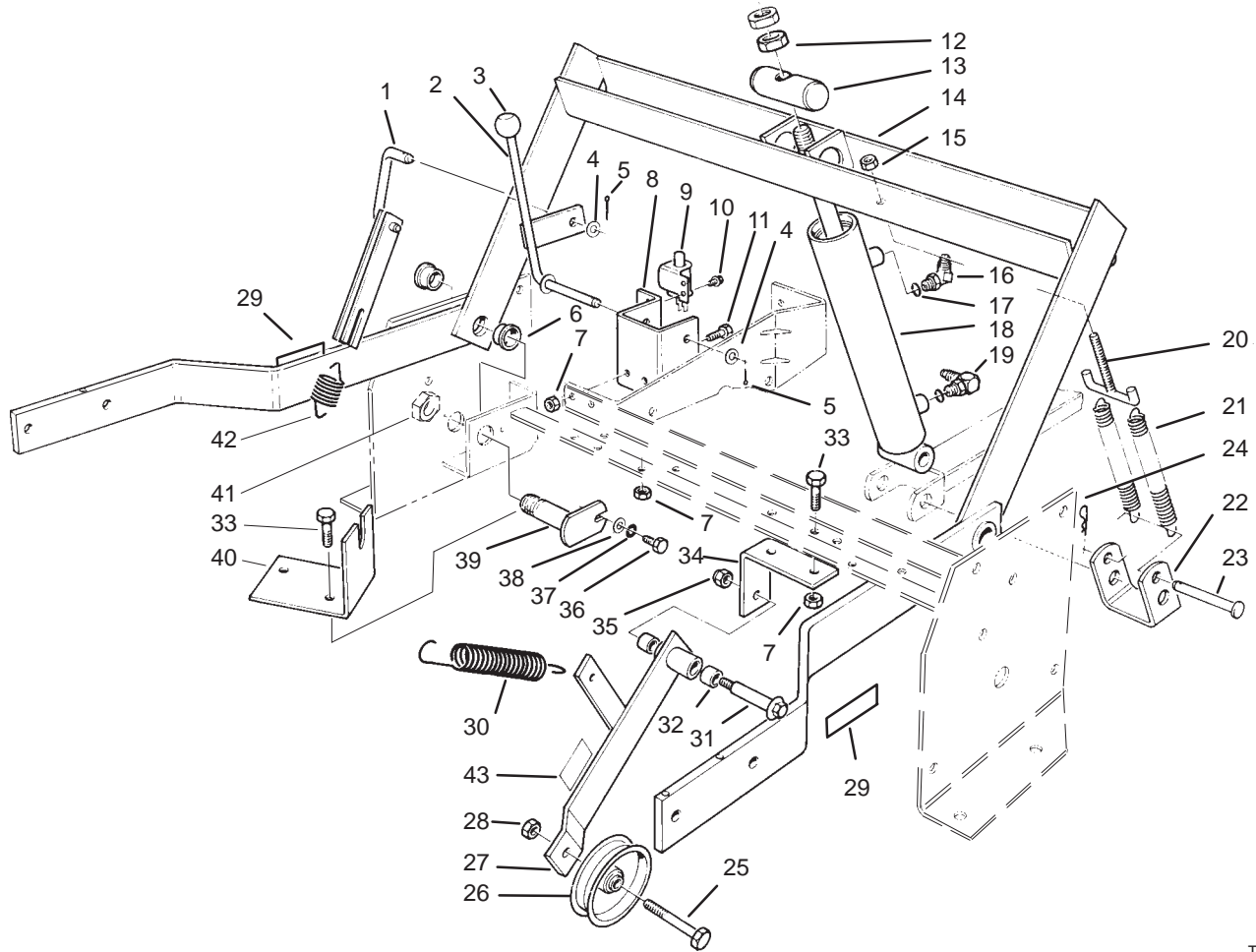


T-0075

### Valve Assembly No. 54-0090

Ref. No.	Part No.	Description	No. Used
1	54-0260	Spool	1
2	22-8500	"O"Ring	2
3	22-8380	Retainer - Spring	2
4	22-8410	Spring	1
5	27-5200	Spacer	1
6	22-8480	Ring - Retaining	1
7	22-8490	Ring - Retaining	1
8	55-3640	Seat - Relief	1
9		Guide	1
10		Plunger	1
11		Spring	1
12		"O"Ring	1
13		Cap - PV Adjustment	1
14		Nut	1

Ref. No.	Part No.	Description	No. Used
15		Screw - Set	1
16		Stat O Seal	1
17		Nut - Acorn	1
18	28-1120	Plug	1
19	22-8330	Plug	1
20	237-42	"O"Ring	2
21	22-8340	Spring	1
22	22-8350	Ball	1
23	22-8370	Seat - Check Valve	1
24	22-8360	Pin - Cam	1
25		Body	1
26	55-3650	Plug	1
*	55-3630	Adjustable Relief Valve (Incl. Ref. #9-17)	1

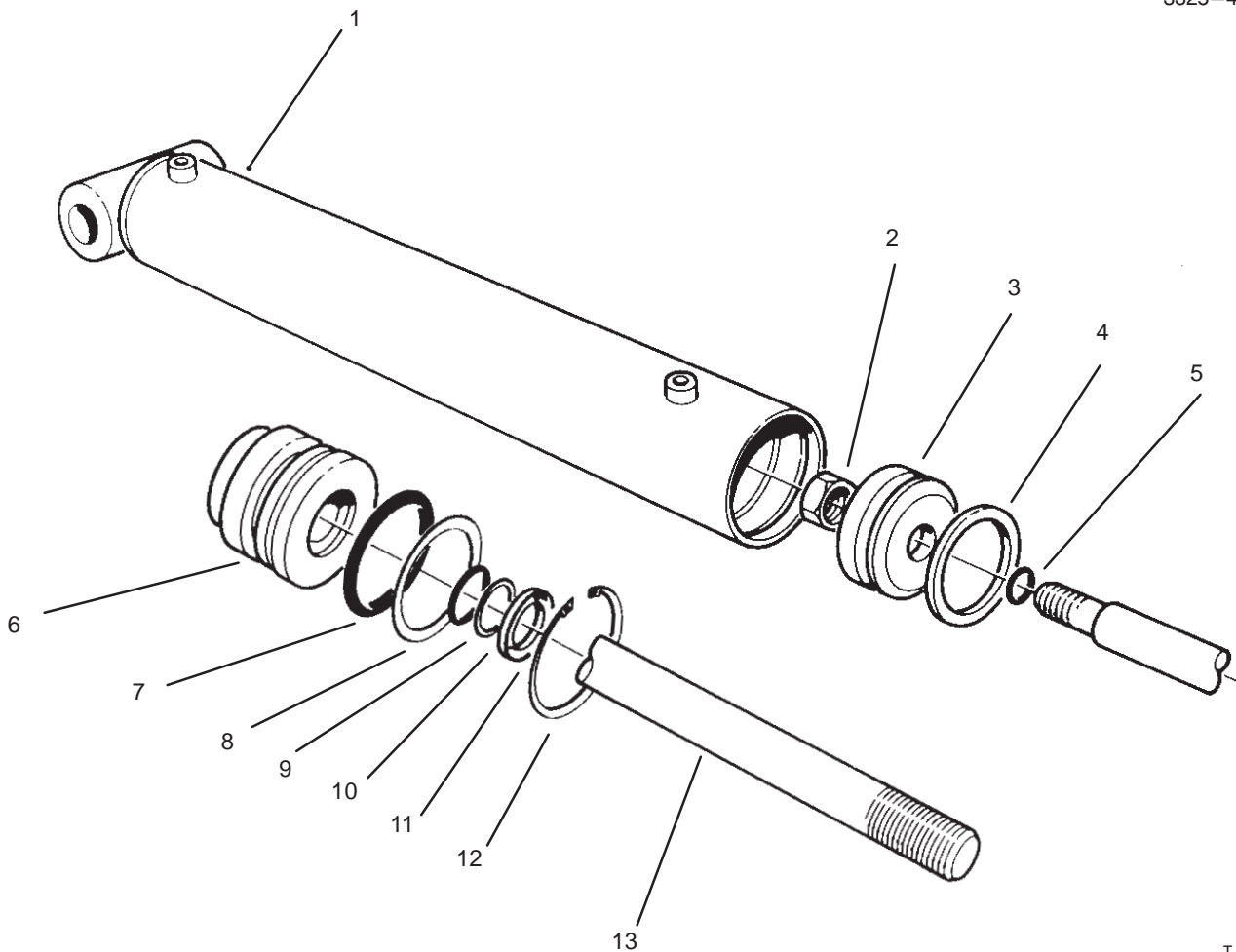


T-0076

## Parking Brake & Lift Frame Assembly

Ref. No.	Part No.	Description	No. Used
1	54-2120	Link - Parking Brake	1
2	54-2110	Lever - Brake	1
3	233-37	Knob	1
4	3256-24	Washer - Flat	2
5	3272-10	Pin - Cotter	2
6	27-9080	Bushing	4
7	3296-29	Nut	6
8	54-1270	Bracket - Parking Brake	1
9	55-7120	Switch - Brake	1
10	32144-1	Screw - Thread Forming	2
11	322-6	Screw	2
12	3220-6	Nut - Jam	2
13	54-2000	Pin - Pivot	1
14	66-1570	Frame - Lift (Incl. Ref. #6)	1
15	32153-3	Nut	2
16	353-431	Fitting - 45°	1
17	237-78	"O"Ring	2
18	54-0150	Cylinder - Lift	1
19	353-375	Fitting - 90°	1
20	56-3320	"T"Hook	1
21	56-2760	Spring - Extension	2
22	56-3370	Bracket - Spring	2

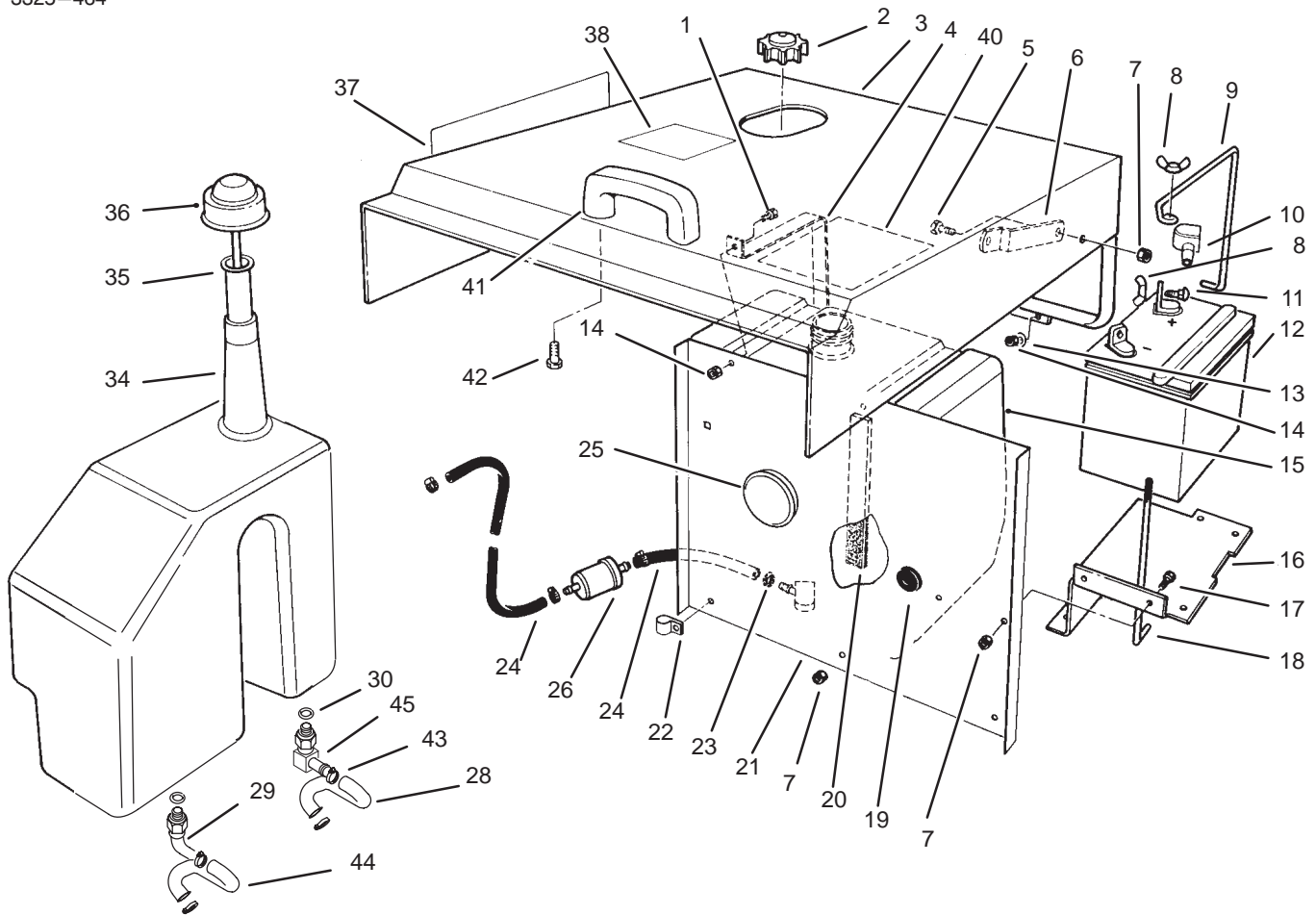
Ref. No.	Part No.	Description	No. Used
23	283-55	Pin - Clevis	1
24	3290-355	Pin - Cotter	1
25	323-10	Screw	1
26	36-3220	Pulley - Idler	1
27	12-1109	Lever - Idler (Incl. Ref. #43)	1
28	3296-44	Nut	1
29	61-3610	Decal - Warning	2
30	54-1170	Spring - Extension	1
31	27-6230	Bolt - Shoulder	1
32	256-154	Bushing	2
33	322-4	Screw	4
34	55-7310	Bracket - Idler	1
35	3296-6	Nut	1
36	321-2	Screw	2
37	3253-3	Washer	2
38	3256-1	Washer	2
39	54-2100	Pin - Pivot	2
40	56-6920	Bracket - Cable Extension	1
41	3296-15	Nut	2
42	54-0960	Spring - Parking Brake	1
43	55-4300	Decal	1



T-0077

## Hydraulic Lift Cylinder No. 54-0150

Ref. No.	Part No.	Description	No. Used	Ref. No.	Part No.	Description	No. Used
1†		Barrel	1	9		"O"Ring	1
2	32152-10	Nut - Lock	1	10		Washer - Backup	1
3	54-0300	Piston	1	11		Seal - Dust	1
4		Uniring	1	12	43-5220	Ring - Retaining	1
5		"O"Ring	1	13	54-0280	Shaft	1
6	54-0310	Head	1	*	54-0290	Seal Repair Kit (Incl. Ref. #4, 5 & 7-11)	1
7		"O"Ring	1				
8		Washer - Backup	1				



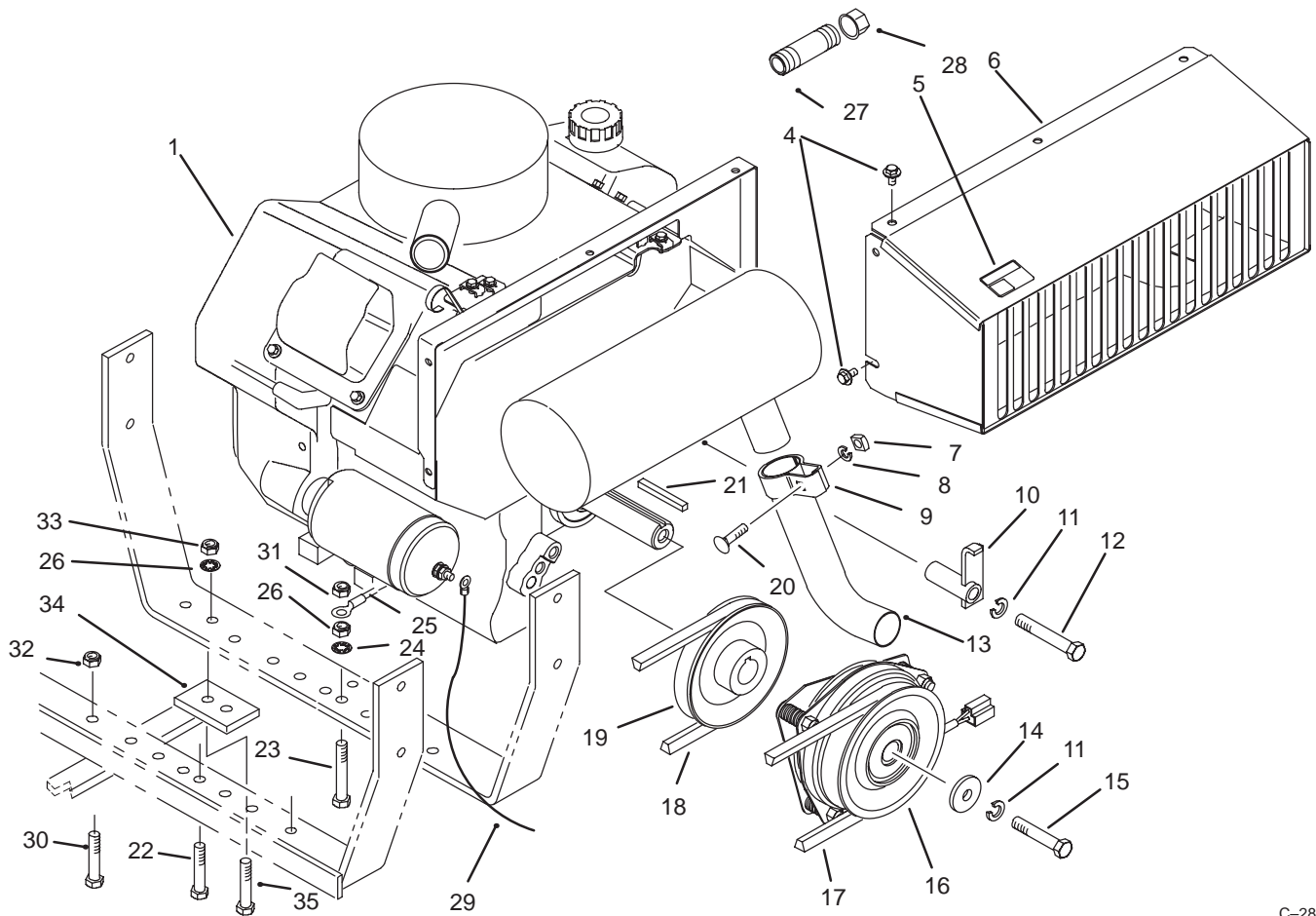
C-1630

## Hood, Fuel Tank & Hydraulic Reservoir Assembly

Ref. No.	Part No.	Description	No. Used
1	321-3	Screw - Hex. Hd.	2
2	55-3570	Cap - Fuel	1
3	14-4109	Hood	1
4	54-1880	Strap - Fuel Tank	2
5	322-3	Screw - Hex. Hd.	2
6	54-1860	Stop - Hood Upper	2
7	3296-29	Nut - Hex.	9
8	32103-22	Nut - Wing	3
9	54-1260	Clamp - Battery	1
10	77-0981	Boot - Terminal	1
11	3229-1	Bolt - Carriage	2
12	82-4640	Battery	1
13	3256-1	Washer	4
14	3296-42	Nut - Lock	8
15	62-4040	Tank - Fuel	1
16	54-1850	Support - Battery	1
17	322-4	Screw - Hex. Hd.	2
18	12-5950	Rod - Battery Support	1
19	237-100	Grommet	1
20	54-1890	Foam - Tank	2
21	92-6267	Shield - Heat	1
22	2412-100	"R" Clamp	3
23	2412-108	Clamp - Hose	4

Ref. No.	Part No.	Description	No. Used
24	92-6283	Hose - Fuel	2
25	92-6274	Plug - Cap	1
26	94-9695	Filter - Fuel	1
28	98-2853	Hydraulic Hose Assembly 10" Transmission to Reservoir	1
29	94-7691	Adapter - Hydraulic (Incl. Ref. #30)	1
30	237-80	"O" Ring	2
34	98-0781	Reservoir - Hydraulic	1
35	29-0590	Screen	1
36	36-4950	Cap - Oil	1
37	94-5410	Decal - Groundsmaster 120	2
38	92-6291	Decal - Refueling	1
40	92-6288	Decal - Service	1
41	65-5100	Handle	1
42	46-8091	Screw	2
43	2412-129	Clamp - Hose	4
44	98-2852	Hydraulic Hose Assembly 20" Transmission to Reservoir	1
45	98-2876	Adapter - Hydraulic (Incl. Ref. #30)	1
*	68-7330	Decal - Danger	1

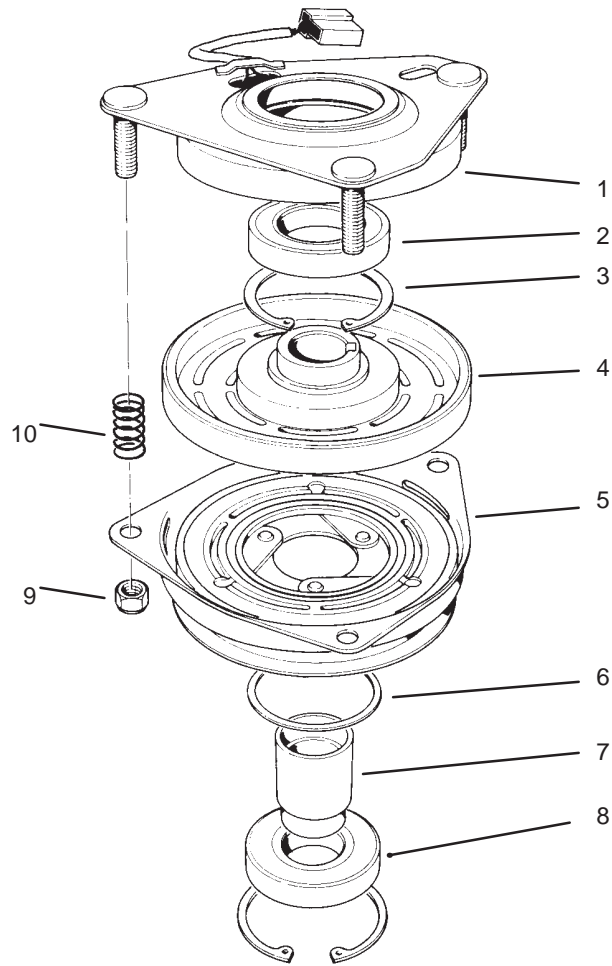
\*Not Illustrated



C-2818

## Engine Assembly

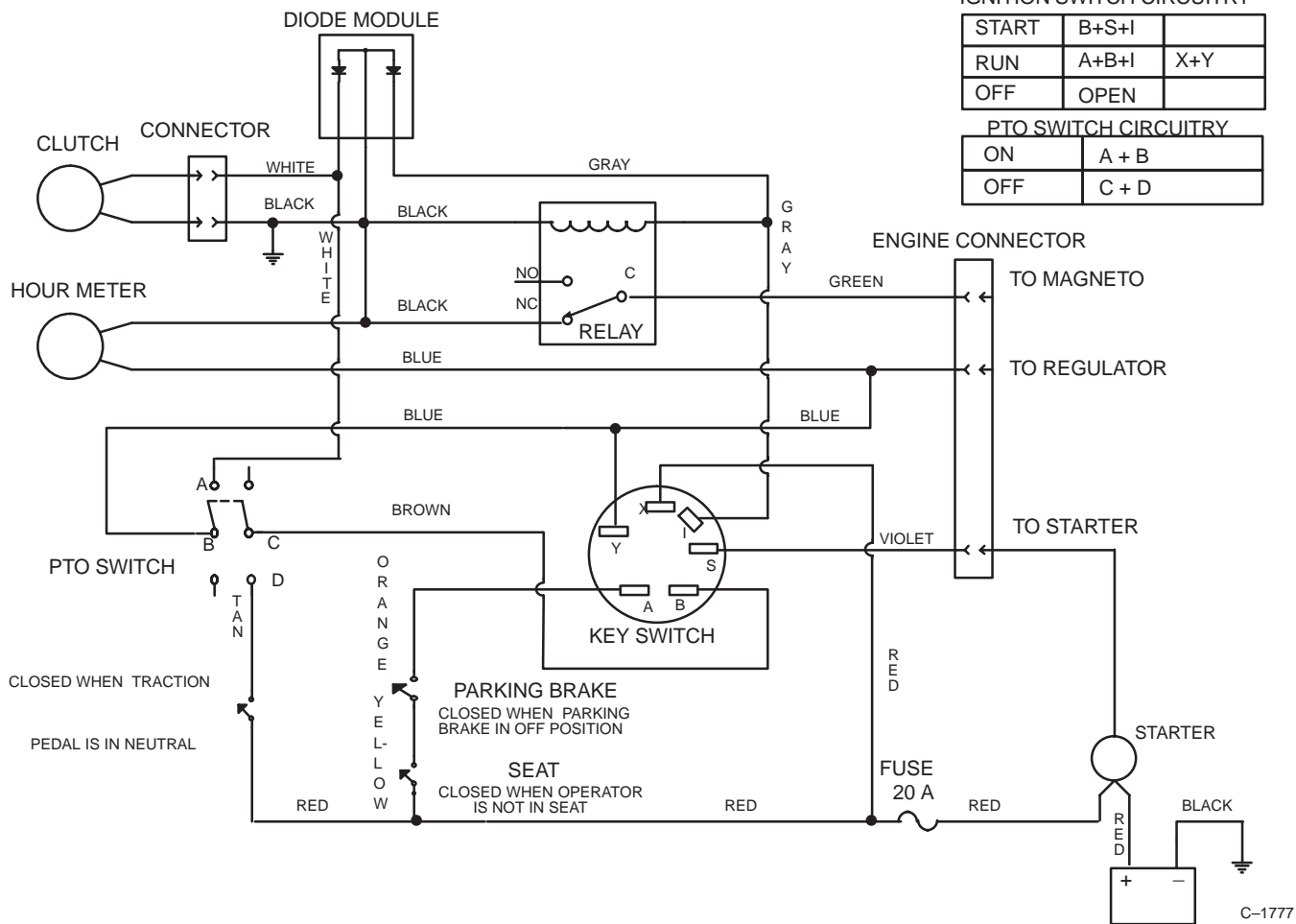
Ref. No.	Part No.	Description	No. Used	Ref. No.	Part No.	Description	No. Used
1	94-1297	Engine – Kohler 20 HP Model CH20QS PS 64556	1	19	54-2330	Pulley – Engine	1
4	48-7610	Screw	5	20	3230-3	Bolt – Carriage	1
5	63-8440	Decal – Hot Surface	1	21	5-0930	Key	1
6	92-6260	Duct – Engine	1	22	323-10	Screw – Hex. Hd.	1
7	3217-6	Nut – Square	1	23	323-12	Screw – Hex. Hd.	1
8	3253-4	Washer – Lock	1	24	3254-6	Washer – Lock, Int. Tooth	1
9	55-8660	Assembly – Clamp (Incl. Ref. #7, 8 & 20)	1	25	92-6287	Wire – Ground	1
10	54-2160	Bracket – Anchor	1	26	3296-39	Nut – Lock	2
11	3253-6	Washer – Lock	2	27	289-48	Nipple – Pipe	1
12	324-11	Screw – Hex. Hd.	1	28	288-10	Cap – Pipe	1
13	54-2290	Pipe – Exhaust	1	29	28-3894	Wire – –Positive	1
14	44-8160	Washer – Flat	1	30	323-9	Screw	2
15	3212-24	Screw – Hex. Hd.	1	31	3290-357	Nut – Wizz	1
16	54-0220	Assembly – Clutch	1	32	32128-21	Nut – Lock	2
17	54-1380	V-Belt	1	33	3256-4	Washer – Flat	1
18	54-1390	V-Belt	1	34	98-8000	Guard – Tank	1
				35	323-7	Screw – Hex. Hd.	1



T-0080

## Clutch Assembly No. 54-0220

Ref. No.	Part No.	Description	No. Used	Ref. No.	Part No.	Description	No. Used
1	54-0230	Field Assembly (Incl. Ref. #2 & 3)	1	6	44-8330	Spacer - Bearing	1
2	251-292	Bearing - Field	1	7	44-8340	Collar - Bearing	1
3	44-8310	Ring - Retaining	2	8	251-291	Bearing - Pulley	1
4	44-8360	Field Coil, Rotor & Bearing (Incl. Ref. #1)	1	9	3296-6	Nut - Lock	3
5	44-8370	Armature & Pulley Assembly (Incl. Ref. #3, 6, 7 & 8)	1	10	44-8320	Spring	3

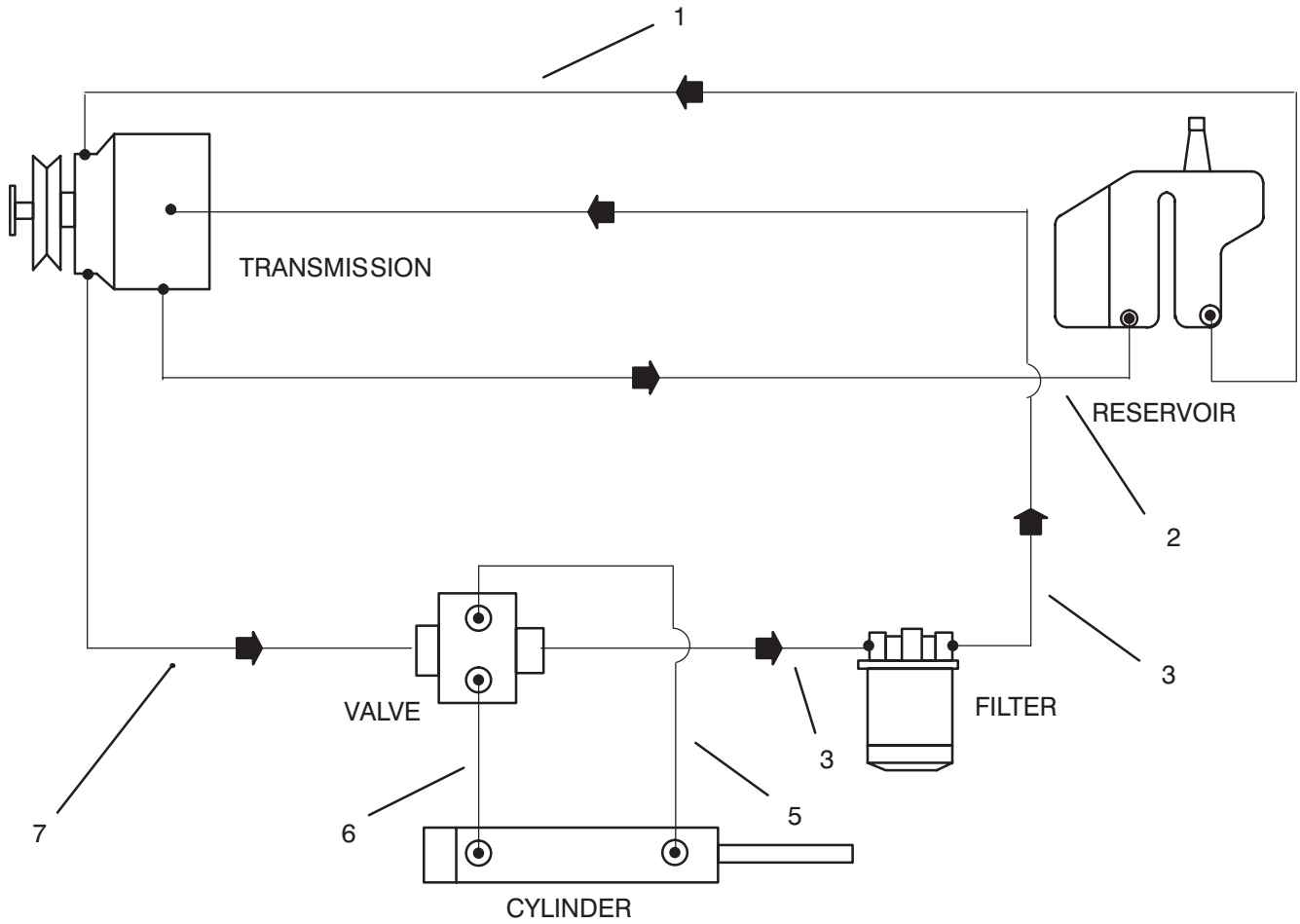


### Electric Schematic

Ref. No.	Part No.	Description	No. Used
*	94-5848	Harness - Wire	1
*	94-5849	Diode	1

Ref. No.	Part No.	Description	No. Used

\*Not Illustrated

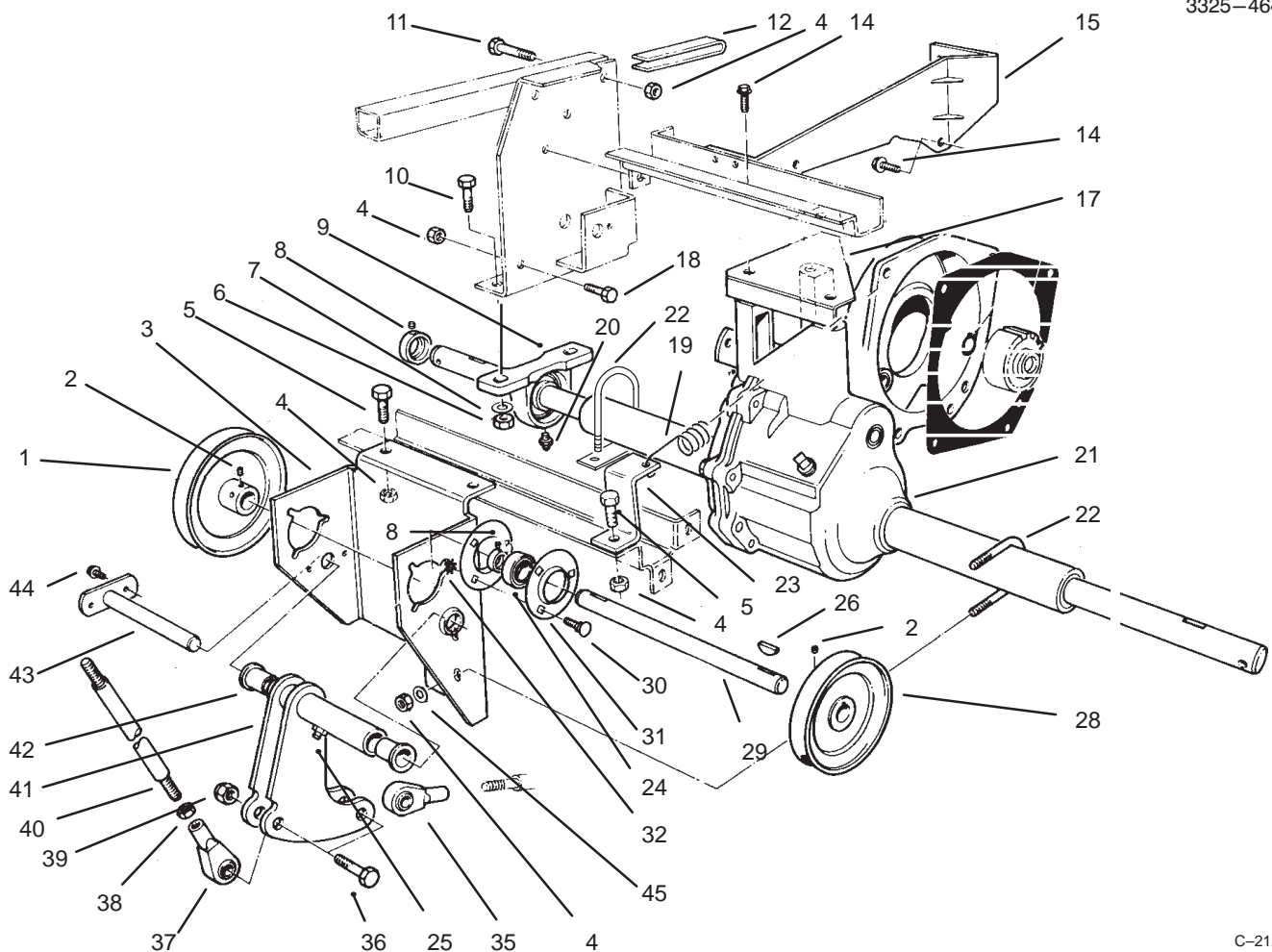


T-0084

### Hydraulic Schematic

Ref. No.	Part No.	Description	No. Used
1	98-2852	Hydraulic Hose Assembly Reservoir to Transmission	1
2	98-2853	Hydraulic Hose Assembly Cylinder to Valve	1
3	98-2851	Hydraulic Hose Assembly Filter to Transmission	2
5	54-2610	Hydraulic Hose Assembly Transmission to Valve	

Ref. No.	Part No.	Description	No. Used
6	54-2620	Cylinder to Valve Hydraulic Hose Assembly	1
7	54-2590	Hydraulic Hose Assembly Transmission to Valve	1

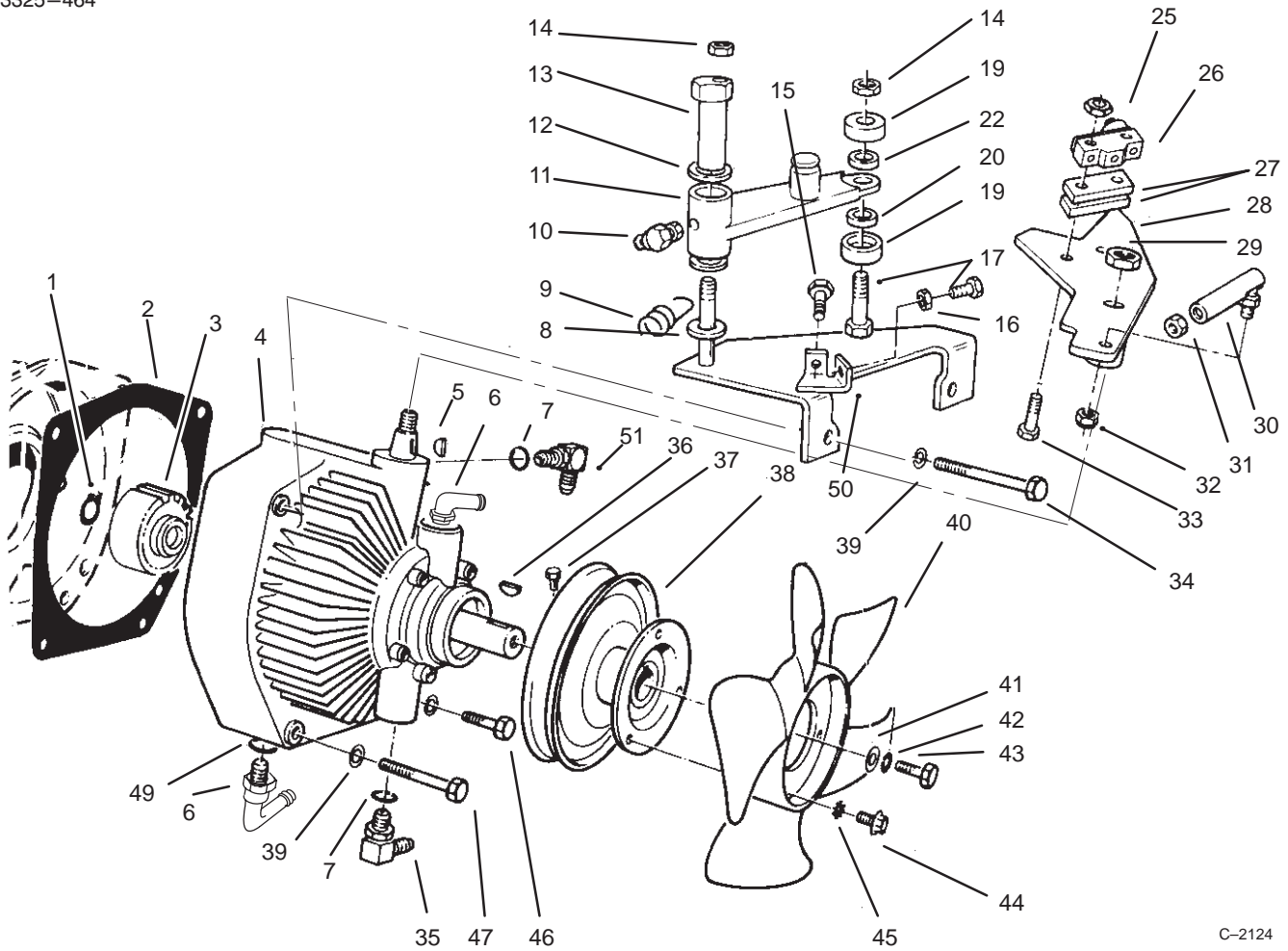


C-2123

## Differential Assembly

Ref. No.	Part No.	Description	No. Used	Ref. No.	Part No.	Description	No. Used
1	54-2390	Pulley - Output	1	24	251-288	Bearing w/Collar	2
2	3241-1	Screw - Set	4	25	302-49	Fitting - Grease	1
3	60-9130	Bracket - Jackshaft	1	26	3257-5	Key - Woodruff	3
4	3296-29	Nut - Lock	A/R	28	54-2380	Pulley - Input	1
5	322-4	Screw - Hex. Hd.	6	29	54-1600	Jackshaft	1
6	3296-44	Nut - Lock	4	30	3230-1	Bolt - Carriage	6
7	3256-3	Washer - Flat	4	31	251-341	Flange - Bearing	4
8	3245-35	Screw - Set	4	32	32149-1	Nut - Lock	6
9	72-4060	Bearing Assembly	2	35	251-304	Rod End	1
10	323-8	Screw - Hex. Hd.	5	36	324-7	Screw - Hex. Hd.	2
11	322-10	Screw - Hex. Hd.	4	37	251-305	Rod End	1
12	80-3750	Spacer	2	38	3220-4	Nut - Hex. Jam	2
14	3234-1	Screw - Hex. Flange Hd.	5	39	3296-48	Nut - Lock	2
15	59-1620	Bracket - Transaxle	1	40	54-1490	Rod - Steering	1
17	60-8990	Plate - Transaxle	1	41	54-2060	Bellcrank Assembly (Incl. Ref. #25 & 42)	1
18	322-4	Screw - Hex. Hd.	6	42	46-6680	Bushing - Flanged	2
19	76-9430	Spring - Extension	1	43	59-1470	Shaft - Bellcrank	1
20	302-2	Fitting - Grease	2	44	46-8560	Screw - Thread Forming	2
21	98-2850	Differential Asm	1	45	3256-23	Washer - Flat	2
22	54-8970	"U" Bolt	2				
23	92-6273	Bracket - Spring	1				

\*Not Illustrated



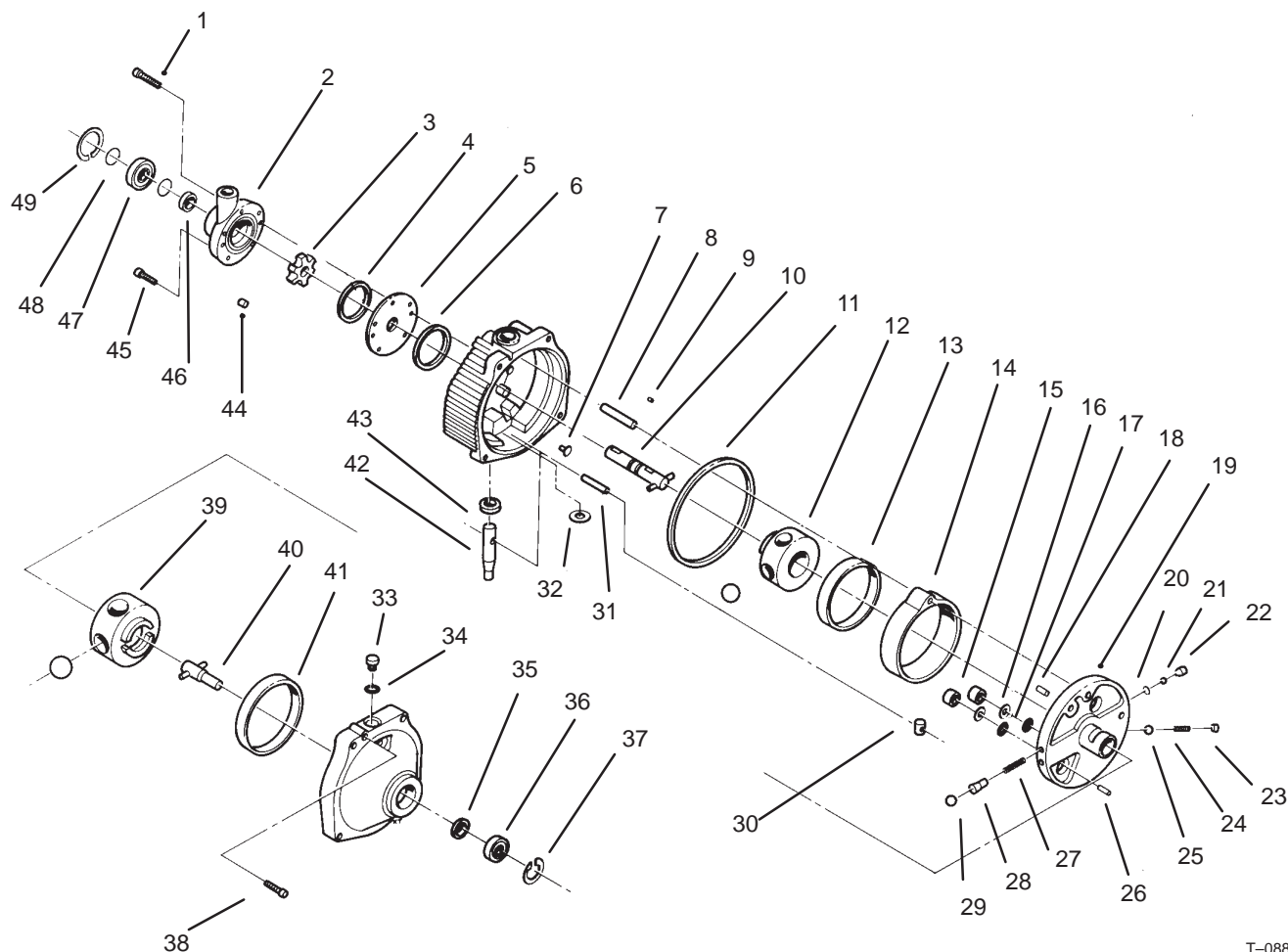
C-2124

## Transmission Assembly

Ref. No.	Part No.	Description	No. Used
1	32120-64	Ring - Snap	1
2	55-4320	Gasket	
3	54-0320	Gear	1
4	98-0777	Transmission - Hydrostatic	1
5	3257-24	Key - Woodruff	1
6	94-7691	Adapter	2
7	237-79	"O"Ring	2
8	3256-68	Washer	1
9	76-9430	Spring - Extension (Ref.)	
10	302-60	Fitting - Grease 90°	
11	92-6289	Swing Arm Assembly	1
	*	(Incl. 256-113 Bushings (2))	
12	3-6498	Washer	1
13	76-8640	Stud - Traction	1
14	3296-29	Nut - Lock	A/R
15	322-6	Screw - Hex. Hd.	2
16	3217-6	Nut	4
17	322-7	Screw - Hex. Hd.	1
19	251-307	Bearing	2
20	92-6290	Spacer	1
22	75-5470	Spacer Bearing	1
25	3296-9	Nut	2
26	29-6163	Switch	1
27	75-4130	Spacer	2

Ref. No.	Part No.	Description	No. Used
28	92-6269	Lever - Traction	2
29	3296-25	Nut	1
30	2411-34	Joint - Ball	1
31	3220-1	Nut - Hex. Jam	1
32	3296-3	Nut - Lock	1
33	3250-46	Screw	2
34	323-14	Screw - Hex. Hd.	2
35	353-511	Fitting - Hydraulic 90° (Incl. Ref. #7)	1
36	3257-5	Key - Woodruff	3
37	3241-2	Screw - Set	2
38	54-0930	Pulley - Transmission	1
39	3253-5	Washer - Lock	4
40	54-0240	Fan	1
41	3256-55	Washer	1
42	3253-3	Washer - Lock	1
43	321-2	Screw - Hex. Hd.	1
44	32144-19	Screw - Round Hd.	3
45	3255-5	Washer - Lock	3
46	323-13	Screw - Hex. Hd.	1
47	323-16	Screw - Hex. Hd.	1
49	237-80	"O"Ring	2
50	92-6270	Plate - Traction	1
51	340-98	Fitting Hydro	2

\*Not Illustrated

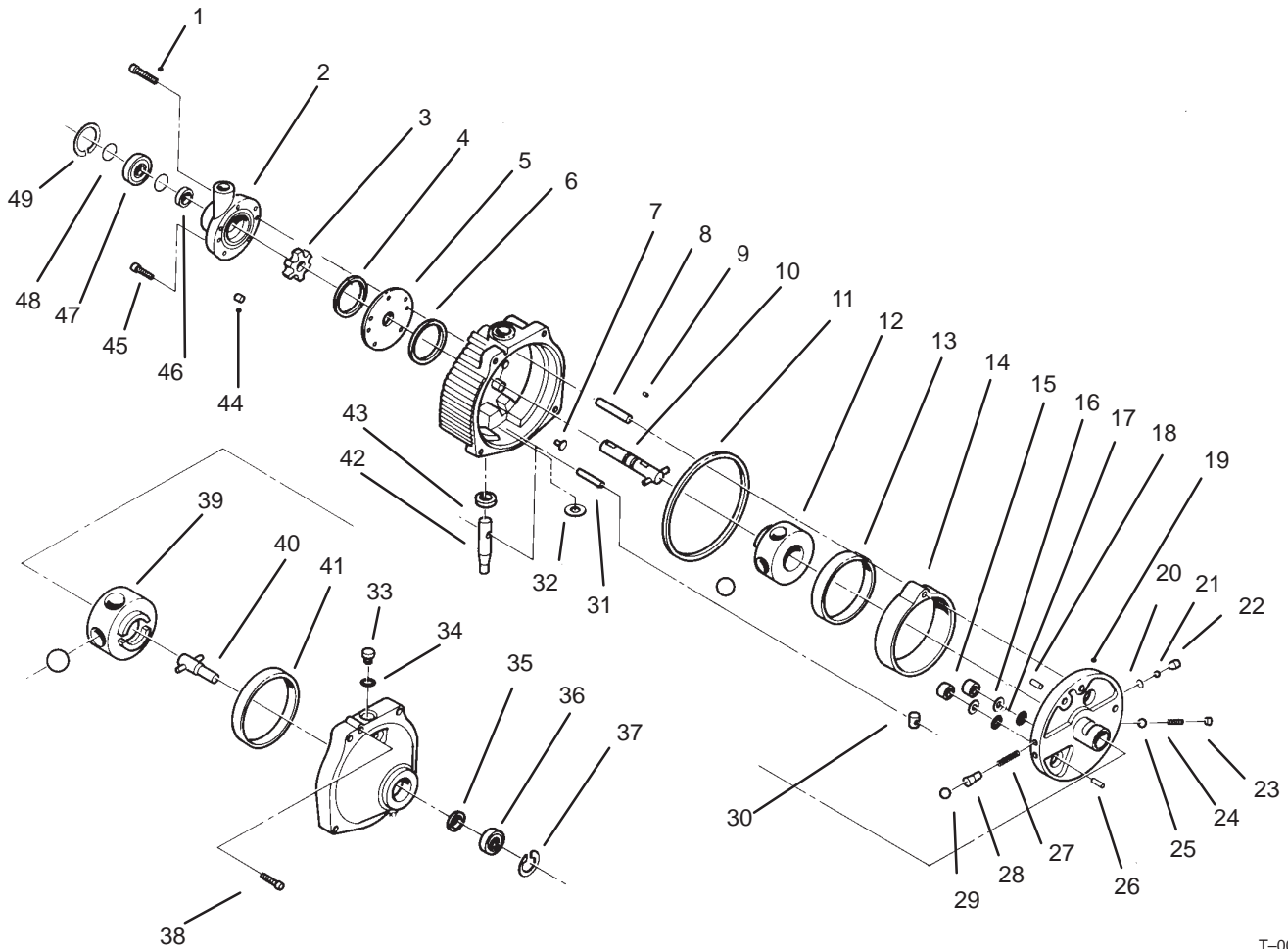


T-0883

## Hydrostatic Transmission Assembly

Ref. No.	Part No.	Description	No. Used
1	56-2800	Screw - Hex. Socket Hd.	1
2	56-2830	Charge Pump Assembly (Incl. Ref. #1)	1
3	56-3120	Carrier	1
4	56-2850	Ring - Seal	1
5	56-2860	Plate - Pump	1
6	56-2870	Ring - Seal	1
7	56-2880	Button	2
8	56-2890	Pin - Dowel	1
9	56-2900	Pin - Drive	1
10	56-2910	Input Shaft Assembly	1
11	56-2920	Ring - Seal	1
12	56-2930	Pump Rotor & Ball Assembly	1
13		Race - Pump	1
14	56-2940	Cam Ring Assembly (Incl. Ref. #13)	1
15	56-2950	Piston	2
16	56-2960	Ring - Backup	2

Ref. No.	Part No.	Description	No. Used
17	56-2970	"O" Ring	2
18	56-2980	Pin - Coil	1
19	56-2990	Pintle Assembly (Incl. Ref. #15-18, 20, 22-26 & 27-29)	1
20	56-3000	Ring - Retaining	2
21	56-3010	Ball	2
22	56-3020	Body - Check Valve	2
23	56-3050	Plug - Relief Valve	1
24	56-3040	Spring - Relief Valve	1
25	56-3030	Ball	1
26	56-3060	Pin - Dowel	1
27	56-3180	Spring - Valve	2
28	56-3200	Body - Valve	2
29	56-3210	Ball	2
30	56-3170	Insert - Cam Ring	1
31		Dowel	1
32		Washer - Control Shaft	1



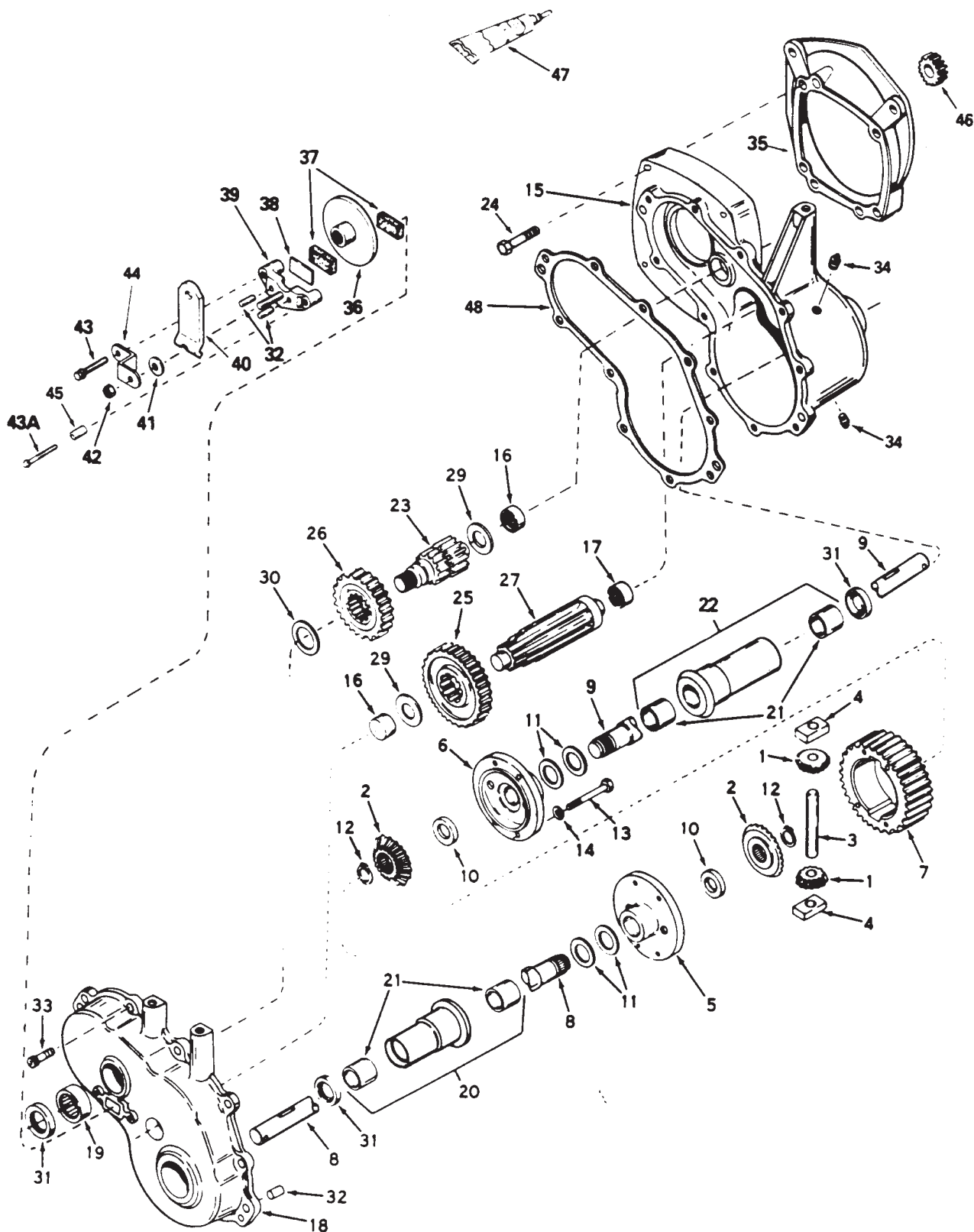
T-0083

## Hydrostatic Transmission Assembly (Continued)

Ref. No.	Part No.	Description	No. Used
33	56-3250	Plug Assembly (Incl. Ref. #34)	1
34	56-3260	"O"Ring	1
35	56-3270	Seal - Oil	1
36	56-3280	Bearing - Output	1
37	56-3290	Ring - Retaining	1
38	56-3300	Screw - Hex. Socket Hd.	2
39	56-3220	Motor Rotor & Ball Assembly	1
40	56-3230	Output Shaft Assembly	1
41	56-3240	Race - Motor	1
42	56-3140	Control Shaft Kit	

Ref. No.	Part No.	Description	No. Used
		(Incl. Ref. #31 & 32)	1
43	56-3130	Seal - Oil	1
44	56-3110	Pin - Roll	6
45	56-3100	Screw - Hex. Socket Hd.	4
46	56-2820	Seal - Oil	1
47	56-2810	Bearing - Input	1
48	56-3090	Ring - Retaining	2
49	56-3080	Ring - Retaining	1
*	56-3310	Kit - Overhaul Seal (Incl. Ref. #4, 6, 11, 16, 17, 34, 35, 43 & 46)	1

# Differential Assembly No. 1310-005

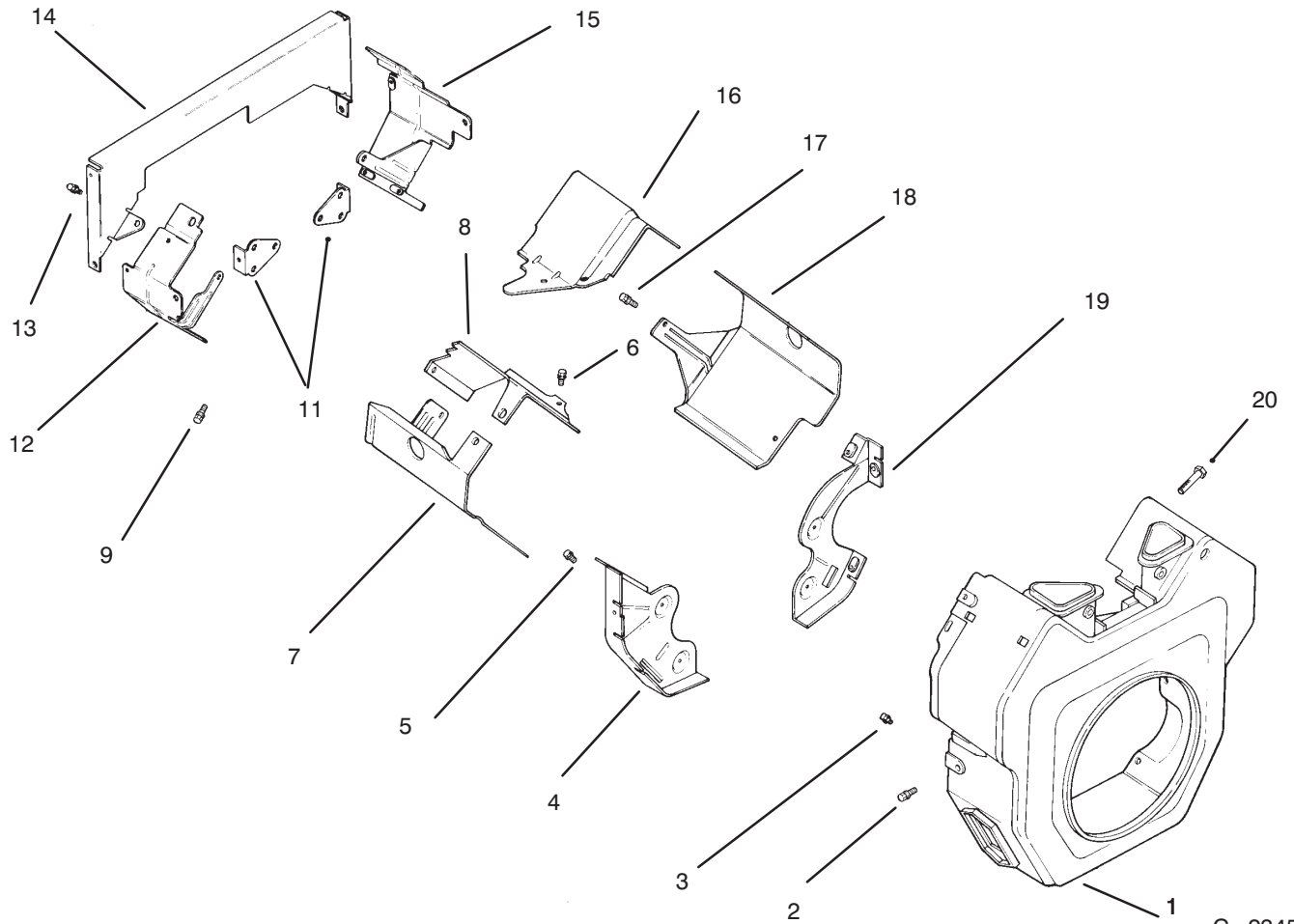


Peerless Differential  
Obtain parts from Peerless

## Differential Assembly No. 1310-005

Ref. No.	Part No.	Description	No. Used	Ref. No.	Part No.	Description	No. Used
1	778197	Pinion – Bevel	1	25	778036	Gear – Output	1
2	778366	Gear – Bevel	1	26	778037	Gear – Spur	1
3	786019	Pin – Drive	1	27	776244	Shaft – Output	1
4	786027	Block – Drive	1	29	780001	Washer	1
5	774028A	Carrier – Differential	1	30	780090	Washer	1
6	774029A	Carrier – Differential	1	31	788008	Seal – Oil	1
7	778033A	Gear – Ring	1	32	786026	Pin – Dowel	1
8	775036	Axle – 16-5/8"	1	33	792046	Screw – Thread Forming	1
9	775037	Axle – 21-57/64"	1	34	792122	Plug – Pipe	1
10	780107	Washer	1	35	786112	Plate – Adapter	1
11	780042	Washer – Thrust	1	36	790027	Disc – Brake	1
12	792018	Ring – Snap	1	37	790021	Pad – Brake ( Pack of 2 )	1
13	792020	Screw – Hex. Hd.	1	38	790007	Plate – Brake Pad	1
14	792006	Washer – Lock	1	39	790025	Holder – Brake Pad	1
15	770080A	Case Assembly (Incl. Ref. #16 & 17)	1	40	790010	Lever – Brake	1
16	780013	Bearing – Needle	1	41	792076A	Washer – Flat	1
17	780088	Bearing – Needle	1	42	792075	Nut – Lock	1
18	772085	Cover Assembly (Incl. Ref. #16 & 19)	1	43	792073A	Screw – Thread Forming	1
19	780089	Bearing 0 Needle	1	43A	792085A	Screw – Thread Forming	1
20	782041A	Housing Assembly-6-5/8" (Incl. Ref. #21)	1	44	786086	Bracket	1
21	780054	Bushing	1	45	786066	Spacer	1
22	782042A	Housing Assembly-8-5/8" (Incl. Ref. #21)	1	46	778194	Gear – Spur 22T	1
23	776245	Shaft – Brake	1	47	510334A	Gasket Eliminator	1
24	792120	Screw – Hex. Hd.	1	48	788044	Gasket	1
					730229A	Gear Oil	1
					799025	Kit – Axle (Incl. 1,2,8,9,12 &31)	1

Peerless Differential  
Obtain parts from Peerless



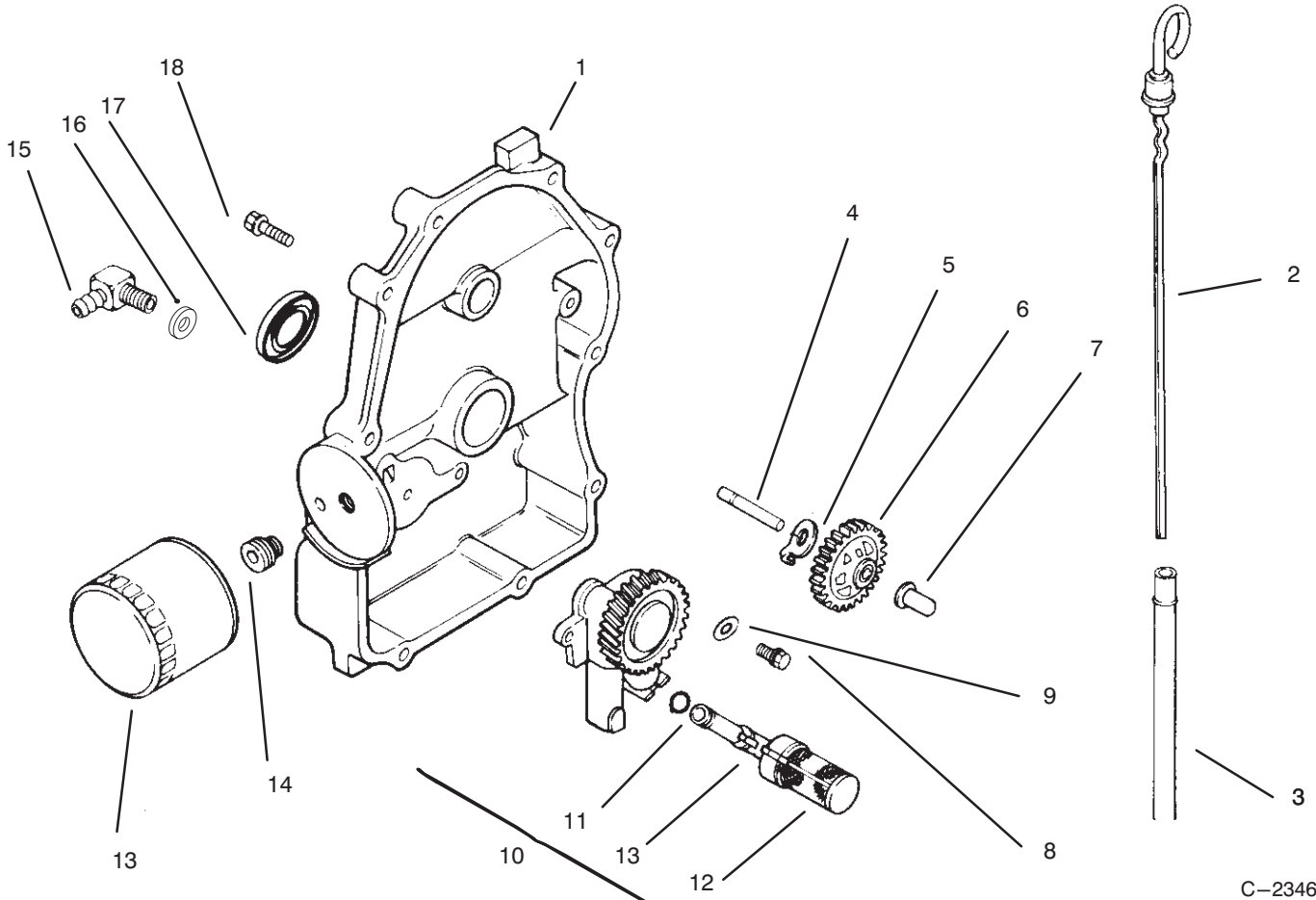
C-2345

## Baffles & Shroud(CH20QS PS64556 Kohler)

Ref. No.	Part No.	Description	No. Used
1	24 027 21-S	Housing – Blower	1
2	SM-0545016-S	Screw	5
3	M-0551016-S	Screw	1
4	24 146 02-S	Plate – Backing #2 side	1
5	M-0645016-S	Screw	4
6	M-0645016-S	Screw	2
7	24 063 20-S	Baffle – Cylinder Barrel # 2 side	1
8	24 063 17-S	Baffle – Valley #2 side	1
9	M-0545010-S	Screw	2
*10	24 755 14-S	Kit – "Q" Duct (Incl. Ref. # 11–15)	1
11	24 126 04-S	Bracket – Support	2

Ref. No.	Part No.	Description	No. Used
12	24 063 12-S	Baffle, – Ducted Air # 1 side	1
13	M-0639010-S	Screw	8
14	24 146 04-S	Plat – Ducted Air Backing	1
15	24 063 13-S	Baffle – Ducted air # 1 side	1
16	24 063 24-S	Baffle, Valley 1 side	1
17	SM-0545016-S	Screw	2
18	24 063 08-S	Baffle – Cylinder Barrel # 1 side	1
19	24 146 08-S	Plate – Backing #1 side	1
20	M-0545020-S	Screw	2

Kohler Engine model CH20QS PS 64556  
Obtain parts from Kohler



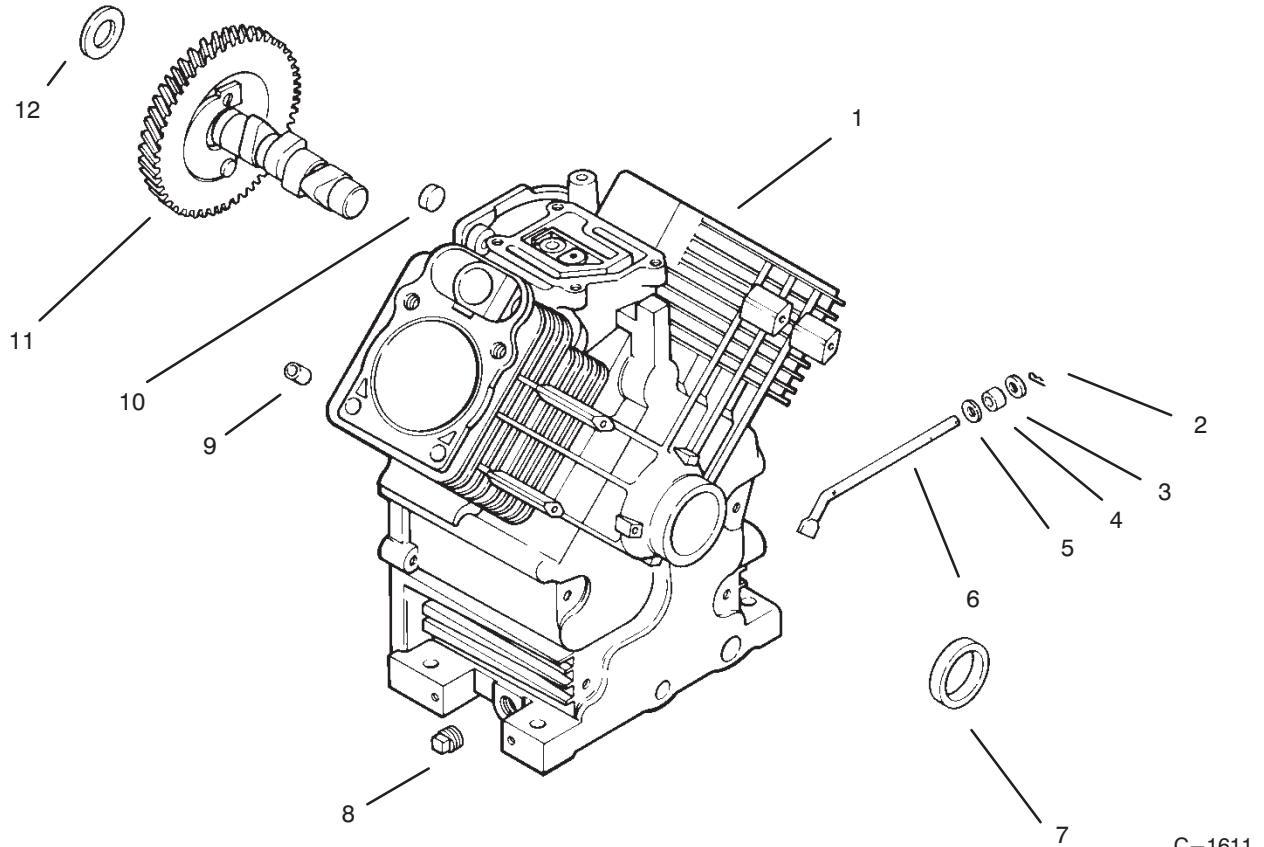
C-2346

## Oil Pan/Lubrication(CH20QS PS64556 Kohler)

Ref. No.	Part No.	Description	No. Used
1	24 009 83-S	Plate – Closure (Incl. Ref. # 2-7, 10-12, 16 & !7)	1
2	24 038 01-S	Dipstick	1
3	24 123 04-S	Tube – Dipstick	1
4	12 144 02-S	Shaft – Governor Gear	1
5	52 448 02-S	Tab – Locking	1
6	24 043 12-S	Kit – Governor Gear Asm (Incl. Ref. # 7)	1
7	12 380 01-S	Pin – Governor Regulating	1
8	M-0645025-S	Screw	2
9	M-0631005-S	Washer – Flat	2

Ref. No.	Part No.	Description	No. Used
10	24 393 03-S	Oil Pump Assembly (Incl. Ref. # 11-12)	1
11	24 153 01-S	"O"Ring	1
12	24 381 01-S	Pick-up, Oil	1
13	12 050 01-S	Filter – Oil	1
14	24 136 01-S	Adapter – Oil Filter	1
15	25 155 02-S	Connector, 90° Hose	1
16	24 153 08-S	"O"Ring	1
17	52 032 08-S	Seal – Oil (PTO End)	1
18	24 086 16-S	Screw	10

\*Not Illustrated  
 Kohler Engine model CH20QS PS 64556  
 Obtain parts from Kohler

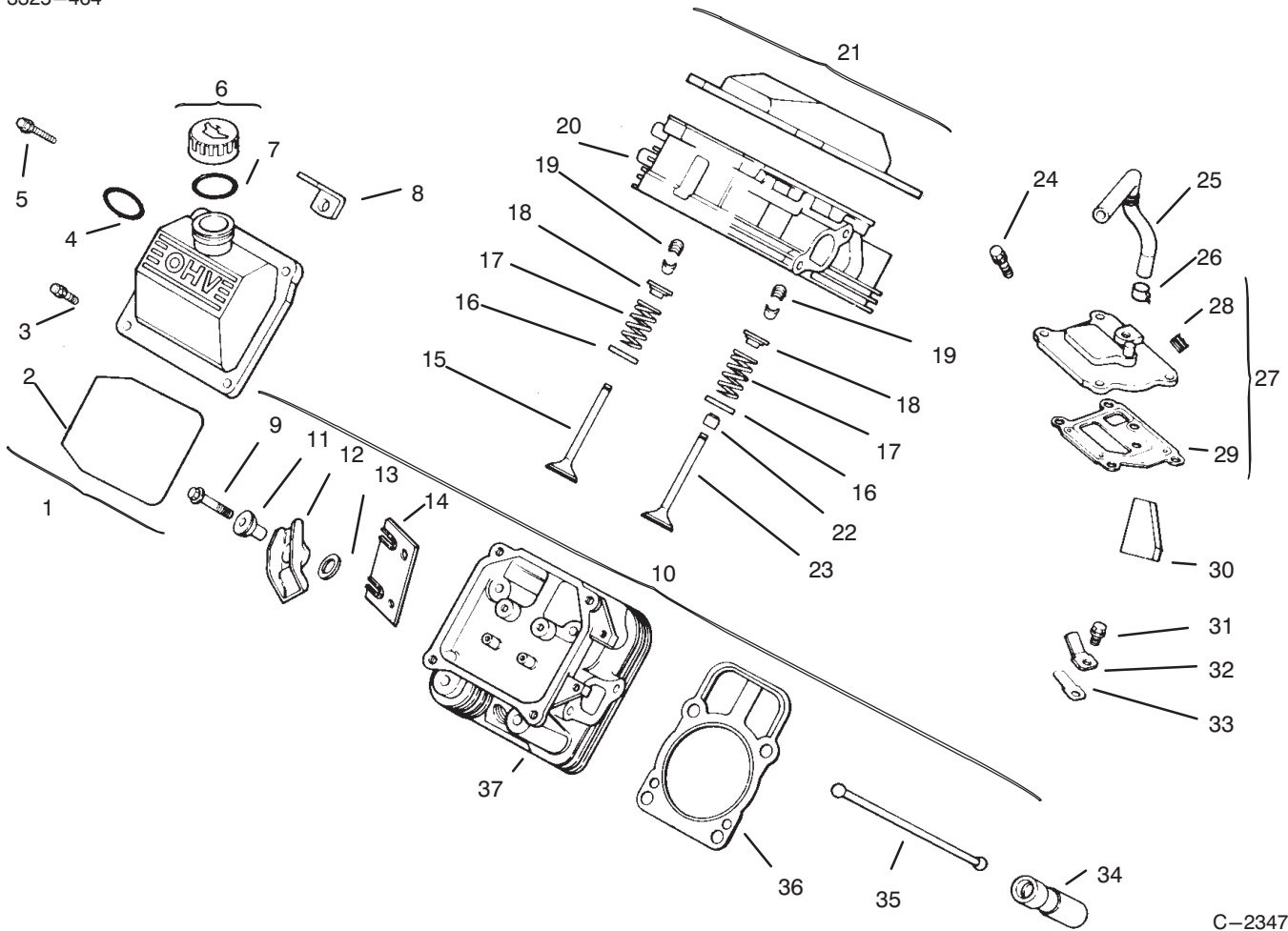


C-1611

## Crankcase(CH20QS PS64556 Kohler)

Ref. No.	Part No.	Description	No. Used	Ref. No.	Part No.	Description	No. Used
1		Cylinder block (Use Miniblock 24 782 01-S)	1	11	24 012 05-S	Camshaft	1
2	12 380 04-S	Pin – Hitch	1	12	12 422 09-S	Shim – Camshaft, Green	A/R
3	X-25-102-S	Washer– Plain	1	*	12 422 13-S	Shim – Camshaft, Black	A/R
4	12 032 01-S	Seal – Governor Cross Shaft	1	*	12 422 07-S	Shim – Camshaft, White	A/R
5	X-25-63-S	Washer	1	*	12 422 08-S	Shim – Camshaft, Blue	A/R
6	24 144 01-S	Shaft – Governor Cross	1	*	12 422 10-S	Shim – Camshaft, Yellow	A/R
7	24 032 01-S	Seal – Oil	1	*	12 422 11-S	Shim – Camshaft, Red	A/R
8	X-75-10-S	Plug, Sq. Hd.	2	*	12 422 12-S	Shim – Camshaft, Gray	A/R
9	12 380 03-S	Pin – Dowel	6	*	24 782 01-S	Short Block	1
10	52 139 09-S	Plug – Cup	1	*	24 755 03-S	Set – Gasket	1

\*Not Illustrated

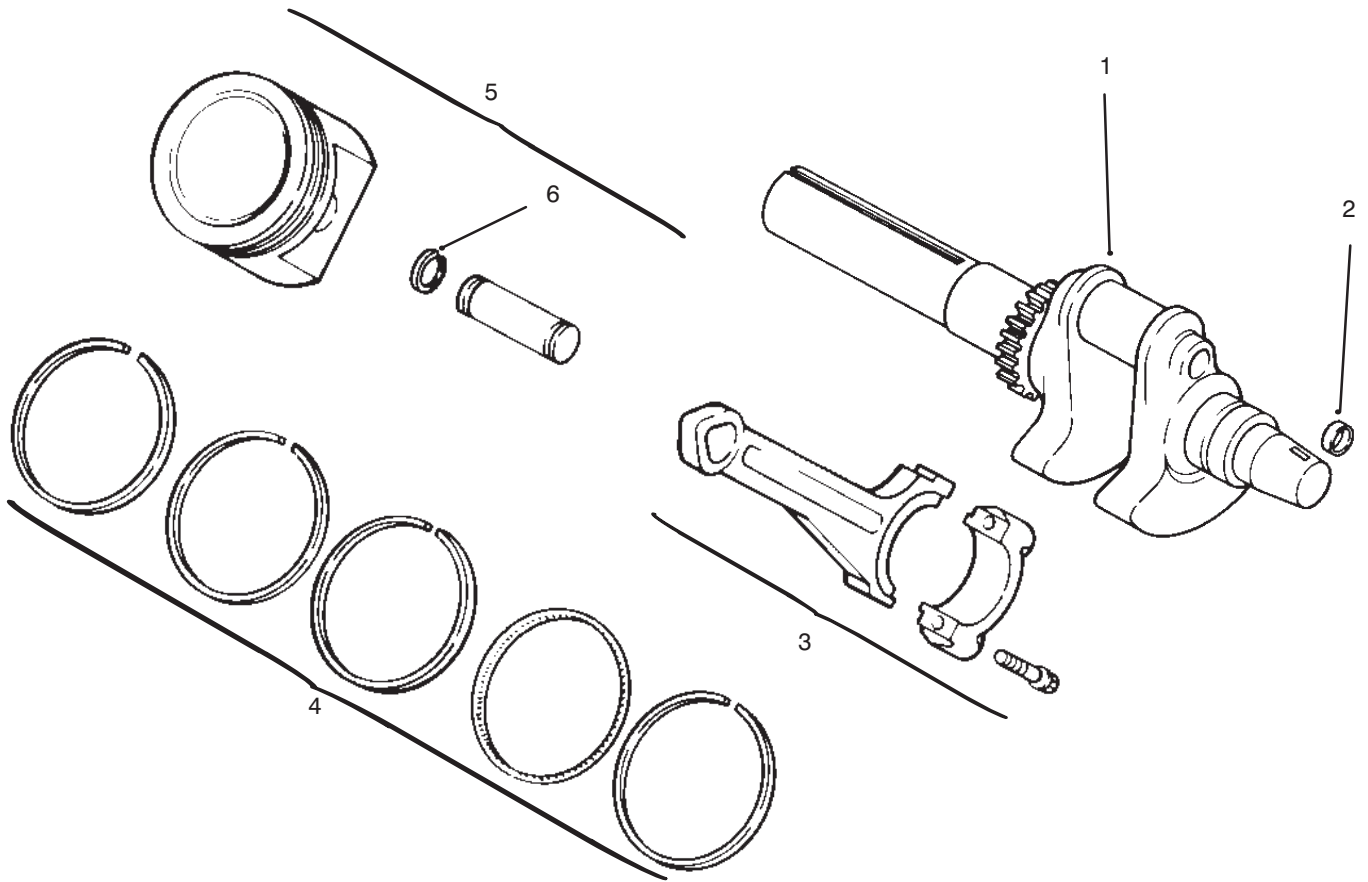


C-2347

### Cylinder Head, Valve & Breather(CH20QS PS64556 Kohler)

Ref. No.	Part No.	Description	No. Used
1	24 755 75-S	Kit – Valve Cover (Incl. Ref. #2-4)	1
2	24 153 12-S	"O"Ring	1
3	24 086 32-S	Screw – Shoulder	4
4	24 153 09-S	"O"Ring	1
5	12 086 16-S	Screw	8
6	25 755 13-S	Kit – Oil Fill Cap (Incl. Ref. #7)	1
7	12 153 03-S	"O"Ring	1
8	24 445 01-S	Strap – Lifting	1
9	M-0640034-S	Screw	4
10	24 755 61-S	Kit – Valve Train (Incl. Ref. # 11-14 & 35)	1
11	24 194 02-S	Pivot – Rocker Arm	4
12	24 186 03-S	Arm – Rocker	4
13	M-0631005-S	Washer – Plain	4
14	24 146 09-S	Plate – Guide	2
15	24 016 01-S	Valve – Exhaust (Std.)	2
*	24 016 02-S	Valve – Exhaust (.25)	2
16	235011-S	Retainer – Spring	4
17	24 089 02-S	Spring – Valve	4
18	12 173 01-S	Cap – Valve Spring	4
19	12 755 03-S	Kit – Retainer	4

Ref. No.	Part No.	Description	No. Used
20	24 318 09-S	Head Assembly (# 1 Cylinder)	1
21	24 755 74-S	Kit – Valve Cover (Incl. Ref. # 2 & 3)	1
22	24 032 05-S	Seal – Valve Stem	2
23	24 017 01-S	Valve – Intake (Std.)	2
*	24 017 02-S	Valve – Intake (.25)	2
24	M-0645020-S	Screw	4
25	24 326 06-S	Hose – Breather	1
26	X-426-9-S	Clamp – Breather	1
27	24 033 01-S	Kit – Breather w/Plug (Incl. Ref. # 28 & 29)	1
28	X-75-23-S	Plug	1
29	24 041 23-S	Gasket – Breather	1
30	24 050 01-S	Filter – Breather	1
31	M-0545010-S	Screw	1
32	12 018 01-S	Retainer – Reed	1
33	24 402 03-S	Reed	1
34	12 351 01-S	Lifter – Valve	4
35	24 411 04-S	Rod – Push	4
36	24 041 08-S	Gasket – Cylinder Head	2
37	24 318 10-S	Head – Assembly (# 2 Cylinder)	2



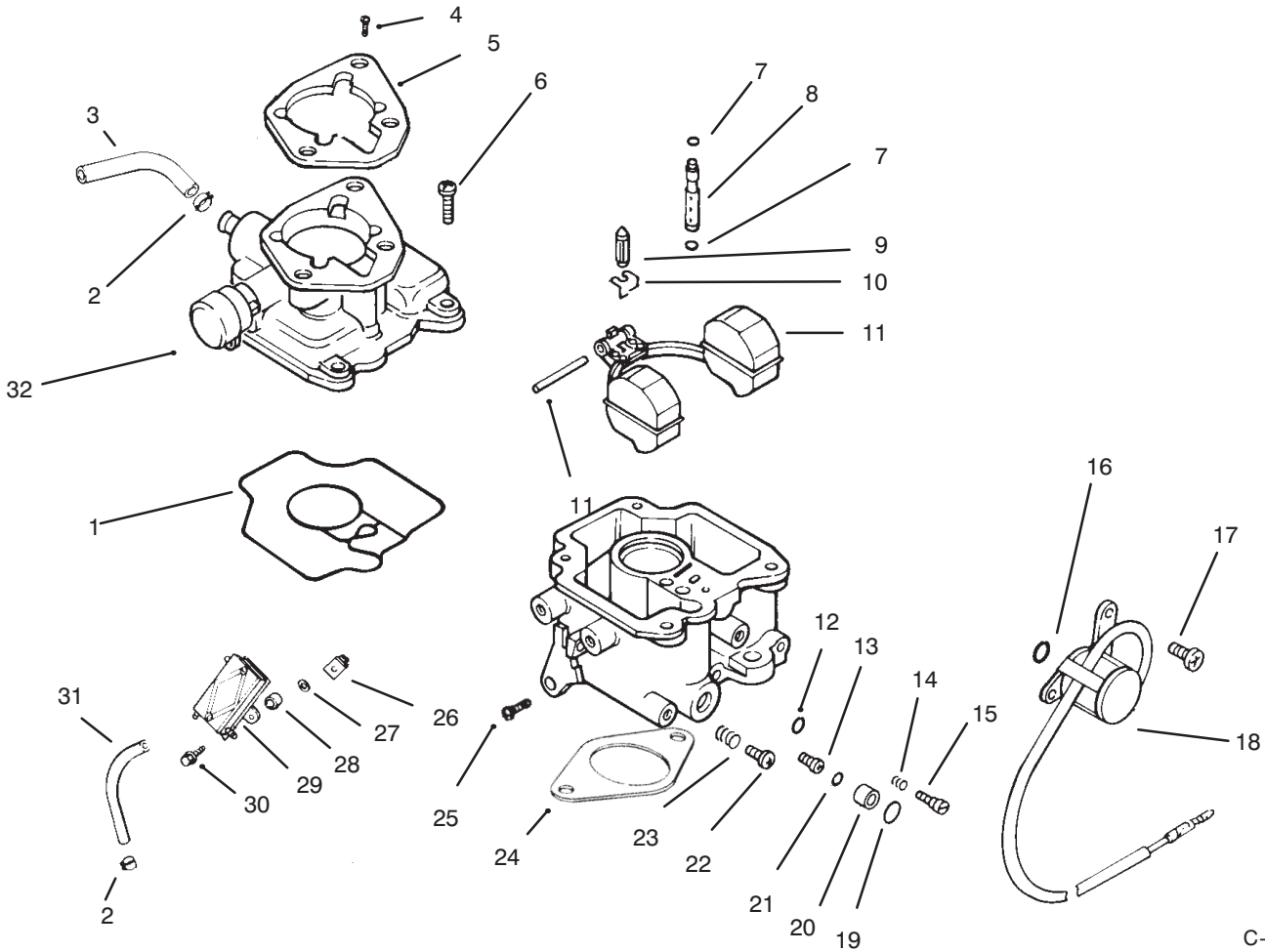
C-1613

### Crankshaft, Piston & Rings(CH20QS PS64556 Kohler)

Ref. No.	Part No.	Description	No. Used
1	24 014 32-S	Crankshaft	1
2	12 139 01-S	Plug, cup	1
3	24 067 05-S	Connecting Rod (Std.)	2
*	24 067 06-S	Connecting Rod (.25)	2
4	24 108 01-S	Ring Set (Std.)	1
*	24 108 02-S	Ring Set (.25)	1

Ref. No.	Part No.	Description	No. Used
*	24 108 03-S	Ring Set (.50)	1
5	24 874 01-S	Piston w/Ring Set (Std.) (Incl. Ref. # 4-6)	2
*	24 874 02-S	Piston w/Ring Set (.25)	2
*	24 874 03-S	Piston w/Ring Set (.50)	2
6	24 018 01-S	Retainer - Piston Pin	4

\*Not Illustrated



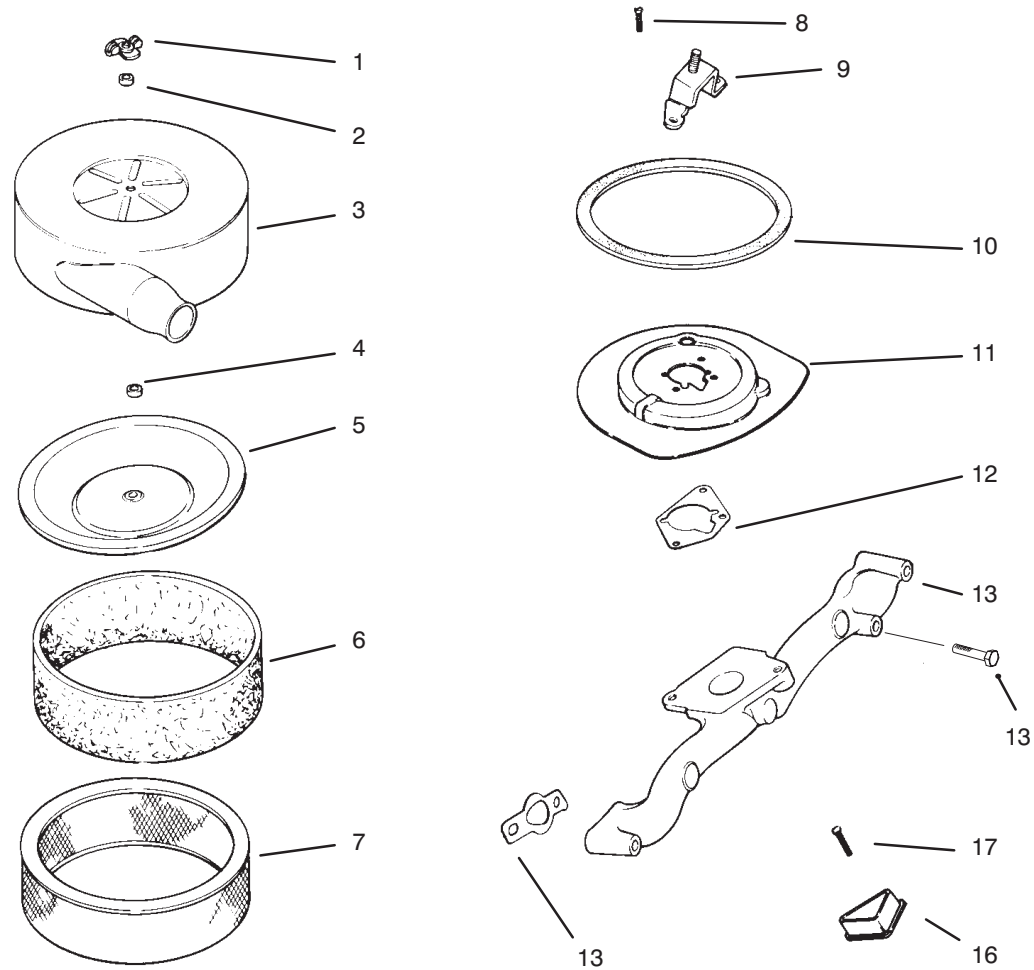
C-2348

## Carburetor & Fuel Pump(CH20QS PS64556 Kohler)

Ref. No.	Part No.	Description	No. Used
1	24 041 09-S	Gasket – Carburetor Body	1
*	24 853 02-S	Kit – Carburetor w/Gasket (Incl. Ref. #1-15, 19-23 & 29)	1
2	X-426-9-S	Clamp – Hose	4
3	25 353 10-S	Line – Fuel 9"	1
4	M-0651030-S	Screw	2
5	24 041 06-S	Gasket – Air Cleaner	1
6	24 086 09-S	Screw	4
7	24 153 02-S	"O"Ring	2
8	24 337 01-S	Jet – Slow	1
9	24 462 01-S	Valve – Inlet Needle	1
10	24 154 01-S	Clip – Inlet Needle Valve	1
11	24 757 02-S	Kit – Float Repair	1
12	24 153 03-S	"O"Ring	1
13	24 337 02-S	Jet – Main	1
14	24 089 11-S	Spring – Idle Adjust	1
15	24 368 01-S	Needle – Idle Adjust	1
16	24 153 04-S	"O"Ring	1
17	24 086 07-S	Screw	2
18	24 435 01-S	Solenoid	1
19	24 153 05-S	"O"Ring	1
20	24 521 01-S	Seat – Solenoid	1

Ref. No.	Part No.	Description	No. Used
21	24 153 06-S	"O"Ring	1
22	24 086 10-S	Screw – Idle Speed Adjust	1
23	24 089 10-S	Spring – Idle Speed Adjust	1
24	24 041 17-S	Gasket – Carburetor	1
25	24 086 05-S	Screw – Throttle Stop	1
26	24 100 01-S	Nut	2
27	X-25-52-S	Washer	2
28	52 112 13-S	Spacer	2
29	24 393 04-S	Pump – Fuel, Pulse	1
30	24 086 31-S	Screw	2
31	24 353 02-S	Line – Fuel 15-1/2"	1
32	24 757 07-S	Kit – Choke Repair (Incl. Ref. # 33)	1
*33	24 173 02-S	Cap – Choke Lever	1
*		Carburetor Assembly (Incl. Ref. # 1-25 & 32)	1
*	24 041 17-S	Gasket – Carburetor	1
*	24 757 03-S	Kit – Carburetor Repair	1
*	24 757 01-S	Kit – Solenoid Assembly	1
*	24 755 01-S	Kit – High Altitude (1500 meters)	1
*	24 755 02-S	Kit – High Altitude (3000 meters)	1

\*Not Illustrated



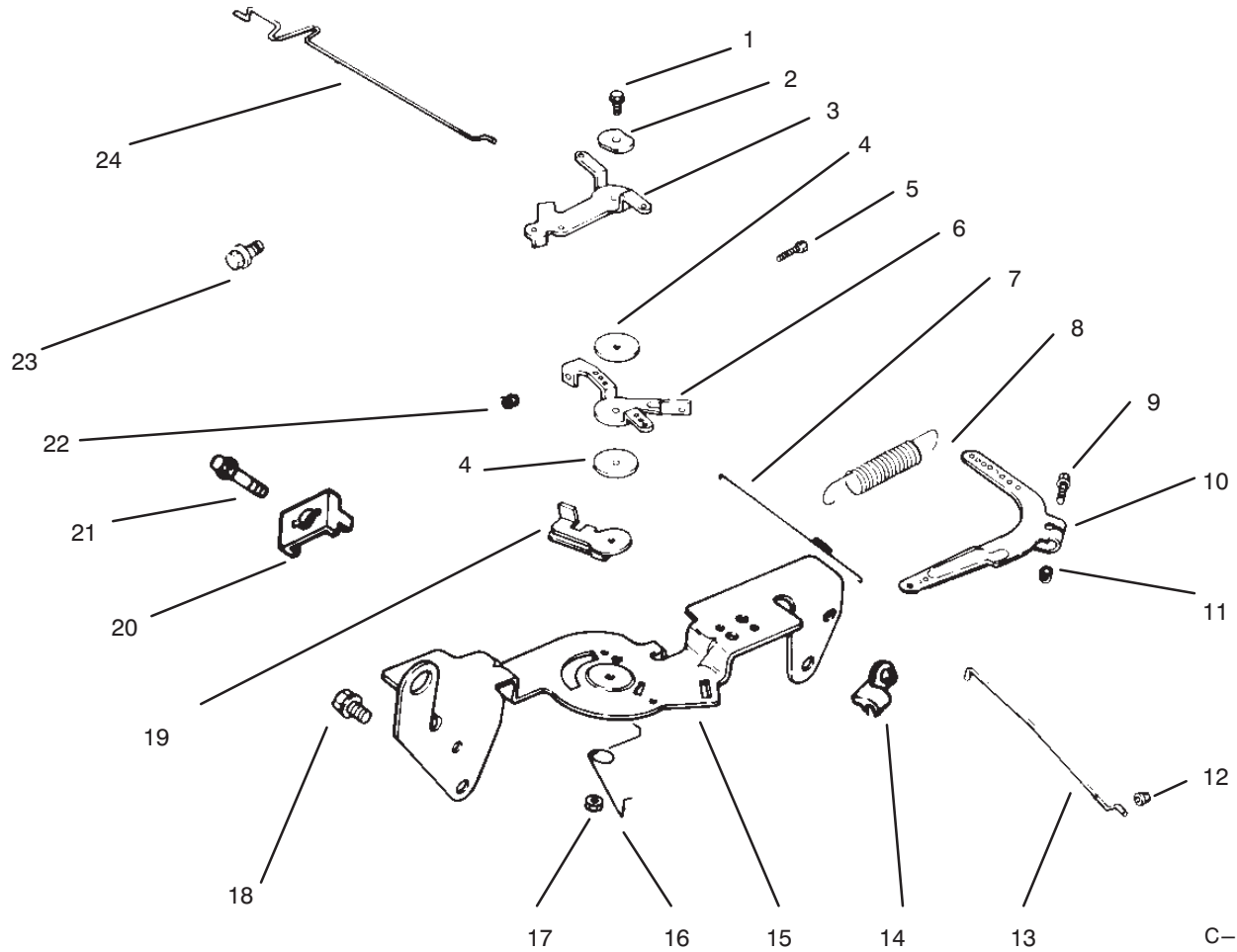
C-2349

### Air Intake/Filtration(CH20QS PS64556 Kohler)

Ref. No.	Part No.	Description	No. Used
1	12 100 01-S	Nut – Wing	2
2	230046-S	Seal – Air Filter	1
3	24 096 34-S	Cover – Air Cleaner	1
4	231032-S	Seal – Breather	1
5	24 096 01-S	Cover – Inner Air Cleaner	1
6	24 083 02-S	Element – Precleaner	1
7	47 083 03-S	Element – Air Cleaner	1
8	M-0639016-S	Screw	3
9	24 126 22-S	Bracket – Air Cleaner	1

Ref. No.	Part No.	Description	No. Used
10	24 032 07-S	Seal – Air Cleaner	1
11	24 094 05-S	Base – Air Cleaner	1
12	24 041 06-S	Gasket – Air Cleaner	1
13	24 041 01-S	Gasket – Intake Manifold	2
14	M-0639055-S	Screw	4
15	24 164 14-S	Manifold	1
16	24 096 17-S	Cover – Blower Housing	2
17	15 086 09-S	Screw	2
*	24 113 17-S	Decal – Maintenance	1

\*Not Illustrated



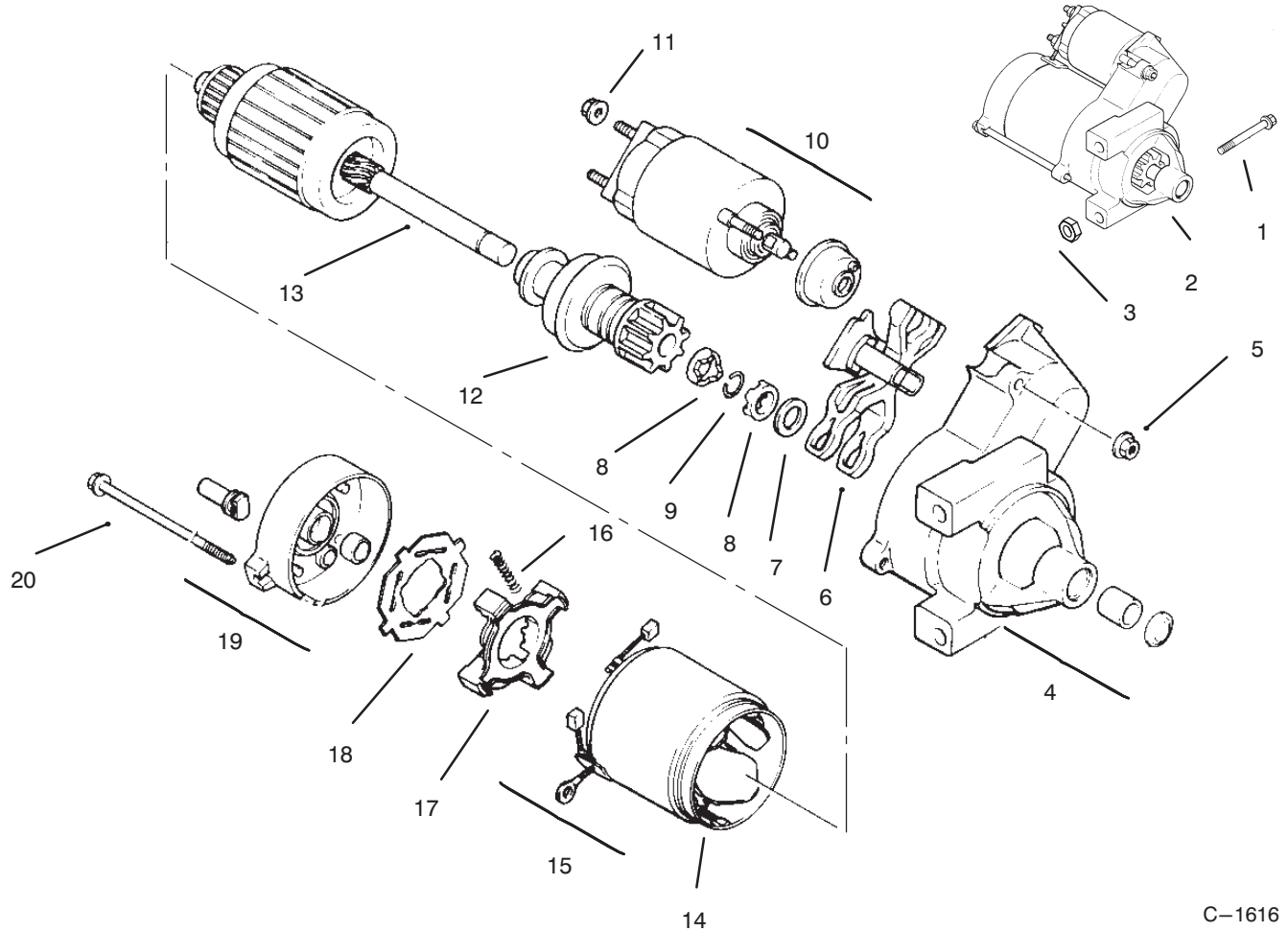
C-1615

### Throttle Linkage & Governor Controls(CH20QS PS64556 Kohler)

Ref. No.	Part No.	Description	No. Used
1	SM-0545020-S	Screw	1
2	41 468 03-S	Washer – Wave	1
3	24 090 05-S	Lever – Choke	1
4	24 468 01-S	Washer	3
5	M-0401025-S	Screw	1
7	24 089 01-S	Spring – Linkage	1
6	24 090 03-S	Lever – Throttle Control	1
8	24 089 18-S	Spring – Governor	1
9	SM-0642025-S	Screw	1
10	24 090 14-S	Lever – Governor	1
11	SM-0641060-S	Nut	1
12	25 158 08-S	Bushing – Linkage	1

Ref. No.	Part No.	Description	No. Used
13	24 079 01-S	Linkage – Throttle	1
14	25 158 11-S	Bushing – Linkage	1
15	24 126 13-S	Bracket – Control	1
17	M-0547050-S	Nut	1
16	24 089 03-S	Spring – Choke Return	1
18	SM-0645016-S	Screw	4
19	24 090 07-S	Lever – Throttle Actuator	1
20	12 237 01-S	Clamp – Cable	2
21	SM-0545016-S	Screw	2
22	M-0446030-S	Nut	1
23	SM-0545016-S	Screw	1
24	24 079 02-S	Linkage – Choke	1

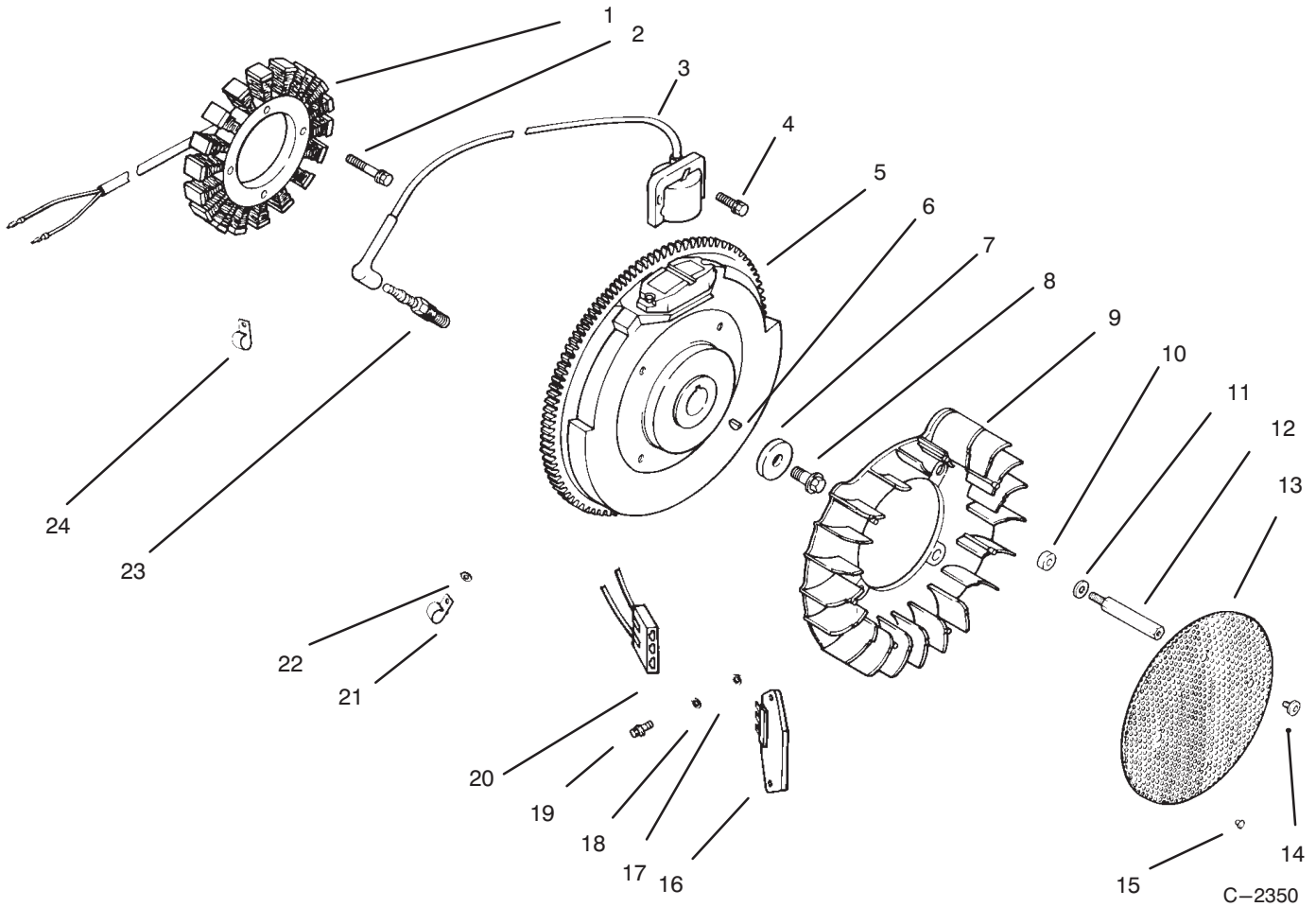
\*Not Illustrated



C-1616

## Starter(CH20QS PS64556 Kohler)

Ref. No.	Part No.	Description	No. Used	Ref. No.	Part No.	Description	No. Used
1	SM-0839080-S	Screw	2	11	52 100 09-S	Nut	1
2	24 098 01-S	Starter - Solenoid Shift (Incl. Ref. # 4-20)	1	12	12 239 01-S	Drive - Pinion	1
3	M-0841080-S	Nut	1	13	12 170 03-S	Armature - Starter	1
4	24 081 04-S	Cap - Drive End	1	14	12 471 01-S	Frame	1
5	52 100 10-S	Nut - Starter	2	15	52 221 01-S	Kit - Brush (Incl. Ref. # 16)	1
6	12 090 10-S	Lever - Starter Drive	1	16	52 089 09-S	Spring - Brush	4
7	52 468 14-S	Washer - Thrust	1	17	52 323 03-S	Holder - Brush	1
8	52 100 08-S	Nut - Stop Collar	2	18	52 168 01-S	Insulator	1
9	52 141 03-S	Ring - Retainer	1	19	12 301 01-S	Cap - Commutator End	1
10	52 435 02-S	Solenoid	1	20	52 211 05-S	Bolt	2

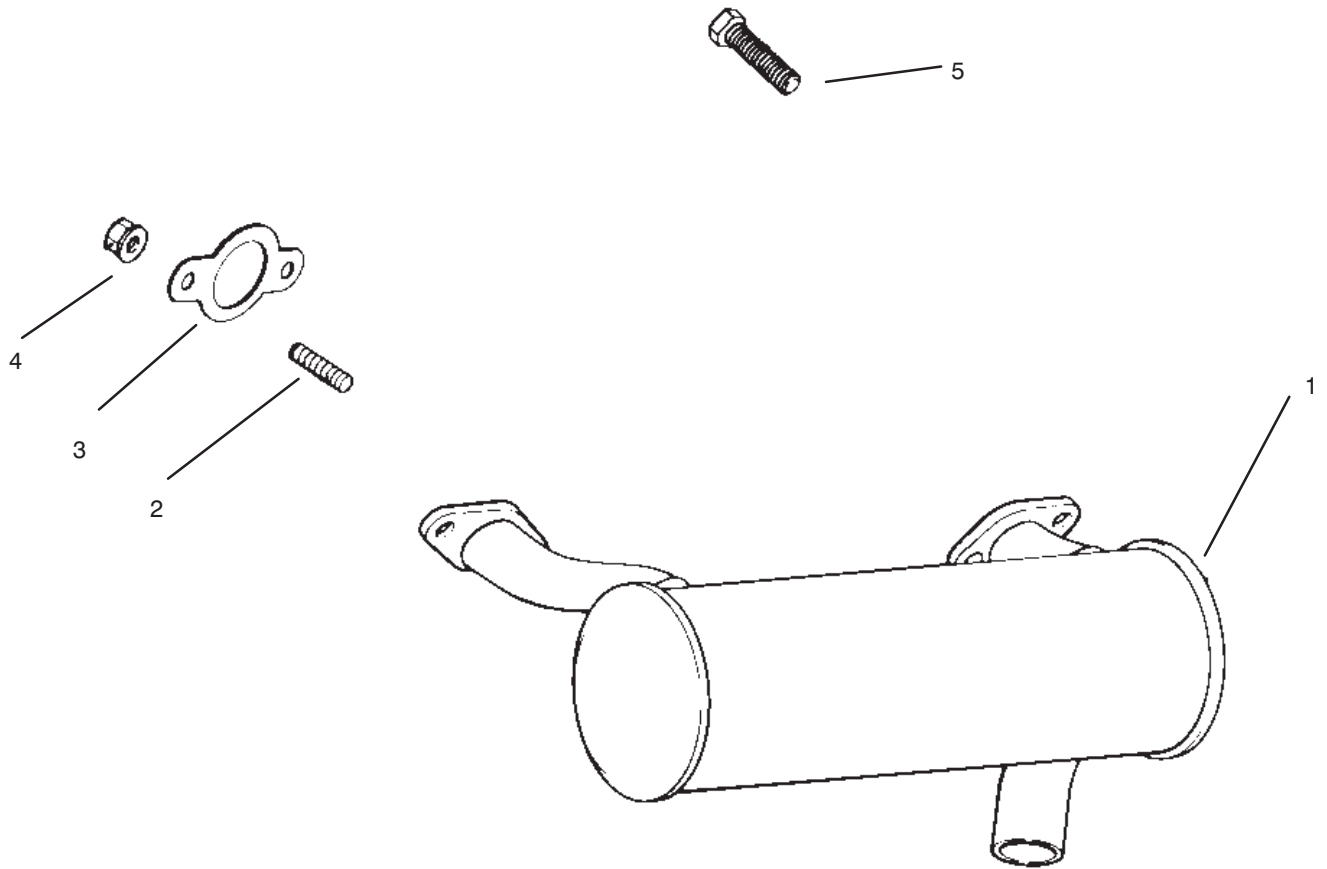


## Ignition & Charging System(CH20QS PS64556 Kohler)

Ref. No.	Part No.	Description	No. Used
1	24 085 01-S	Stator – 15 amp	1
2	M-0548025-S	Screw	2
3	24 584 01-S	Module – Ignition	2
4	SM-0545020-S	Screw	4
5	24 025 01-S	Flywheel Assembly	1
6	X-42-15-S	Key	1
7	12 468 03-S	Washer	1
8	12 086 14-S	Screw	1
9	24 157 01-S	Fan	1
10	12 112 01-S	Spacer – Fan	4
11	X-25-53-S	Washer	4
12	24 072 01-S	Stud – Grass Screen	4
13	24 162 13-S	Screen – Grass	1

Ref. No.	Part No.	Description	No. Used
14	M-0657010-S	Screw	4
15	25 086 43-S	Screw – Set	1
16	25 403 03-S	Regulator – Rectifier	1
17	X-25-63-S	Washer	1
18	X-25-92-S	Washer	2
19	24 086 18-S	Screw	2
20	236602-S	Connector	1
21	235173-S	Clip – Cable	1
22	X-25-63-S	Washer	1
23	12 132 02-S	Spark Plug	2
24	48 154 02-S	Clip – Cable	1
*	24 176 40-S	Harness – Wiring	1
*	24 518 04-S	Lead – Green,18 Gauge	1

\*Not Illustrated



C-1618

### Exhaust(CH20QS PS64556 Kohler)

Ref. No.	Part No.	Description	No. Used
1	24 068 11-S	Muffler	1
2	M-0829033-S	Stud – Muffler	4
3	24 041 02-S	Gasket – Exhaust	2

Ref. No.	Part No.	Description	No. Used
4	M-0841080-S	Nut	4
5	M-0839020-S	Screw	1





## PRODUCT CHANGES

In an effort to make improvements available to TORO owners as quickly as possible, minor changes are incorporated into Toro's products from time to time that do not become immediately shown in the Parts Catalog. If such a change has been made in your unit, which is not reflected in your manual, see your TORO Distributor or his Authorized TORO Service Dealer for information and part numbers.

## IDENTIFICATION AND ORDERING

### MODEL AND SERIAL NUMBERS

The Groundsmaster 120 has two identification numbers; a model number and a serial number. The two numbers are stamped on a plate which is located on the main frame under the seat. In any correspondence concerning the Groundsmaster 120, supply model and serial numbers to assure that correct information and replacement parts are obtained.

To order replacement parts from an Authorized TORO Service Dealer, supply the following information:

1. Model and serial number of the Groundsmaster 120.
2. Part number, description, and the quantity of part(s) desired.

**NOTE:** Do not order by reference number if a parts catalog is being used; use the PART NUMBER.

# TABLE OF CONTENTS

Description	Page	Description	Page
Frame And Steering Assembly	1	Differential Assembly ( <b>Peerless Differential</b> )	21
Rear Axle Assembly	3	<b>Obtain Parts from Peerless</b>	
Front Wheel Assembly	4	Engine Asm ( <b>Kohler Model CH2OQS Spec 64556</b> )	
Frame And Jackshaft Assembly	5	<b>Obtain Parts from Kohler</b>	
Seat Support Assembly	7	Baffles & Shroud	23
Seat Assembly	8	Oil Pan/Lubrication	24
Valve Assembly No.54-0090	9	Crankcase	25
Parking Brake & Frame Assembly	10	Cylinder Head, Valve & Breather	26
Hydraulic Lift Cylinder No. 54-0150	11	Crankshaft, Piston & Rings	27
Hood, Fuel Tank & Hydraulic Reservoir Assembly	12	Carburetor And Fuel Pump	28
Engine Assembly	13	Air Intake / Filtration	29
Clutch Assembly No. 54-0220	14	Throttle Linkage & Governor Control	30
Electric Schematic	15	Starter	31
Hydraulic Schematic	16	Ignition And Charging System	32
Differential Assembly	17	Exhaust	33
Transmission Assembly	18	Numeric Index, Toro P/N Only	34
Hydrostatic Transmission Assembly	19		

## Optional equipment

Description	Model No./Part No.	Description	Model No./Part No.
Flotation Kit	57-3190	44" Grass Collection System	30751
44" Deck Baffle Kit	60-9030	52" Grass Collection System	30576
52" Deck Baffle Kit	68-7210	44" Recycler Kit	99-4582
44" Leaf Mulcher Deck	30752	52" Recycler Kit	99-4586
52" Leaf Mulcher Deck	30700	Armrest Kit	92-1186
Wheel Weight Kit	56-6620	Tire Chain Kit	56-6630
44" Snowthrower	30761	Rear Weight	24-5790
44" Side Discharge Deck	30544	Cab Kit	
44/52" Striping Kit	99-4590		
52" Side Discharge Deck	30753	European Complacence Parts Kit	93-9450