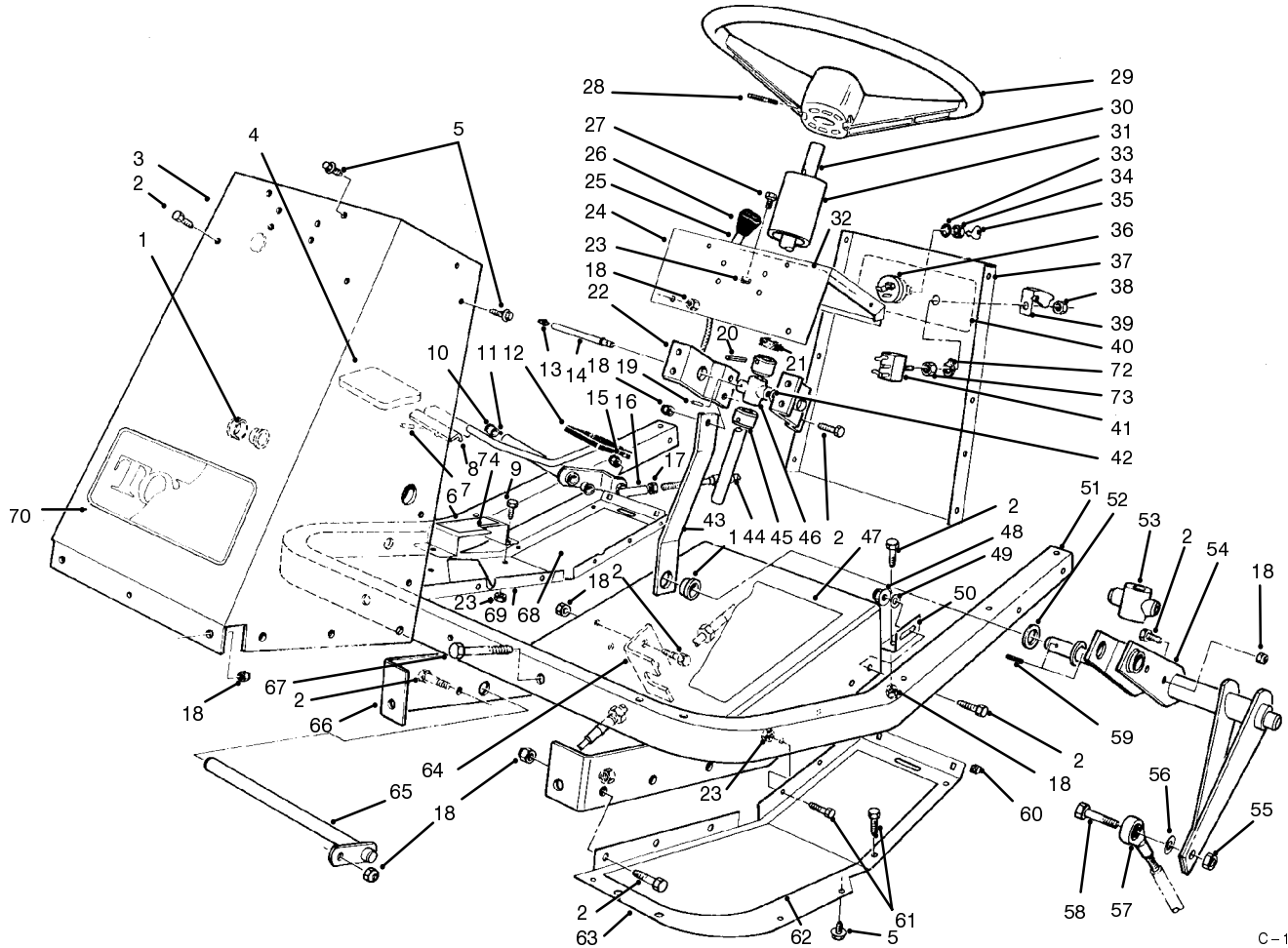




MODEL NO. 30611-210000001 & UP

**PARTS  
CATALOG**

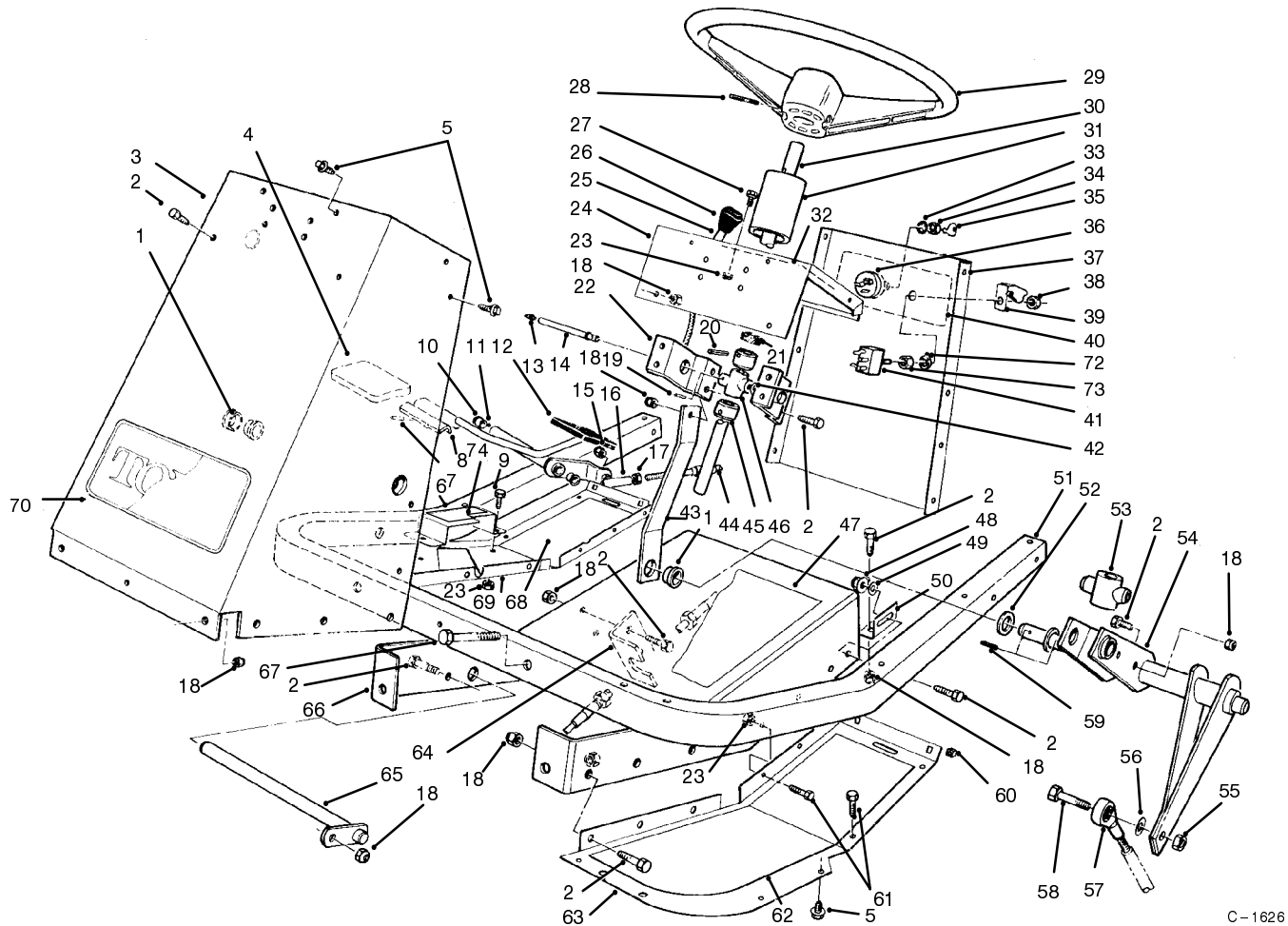
**GROUNDMASTER® 120**



**FRAME AND STEERING ASSEMBLY**

Ref. No.	Part No.	Description	No. Used
1	27-9080	Bushing	3
2	322-4	Screw - Hex. Hd.	19
3	54-1900	Tower - Front	1
4	49-6470	Pad - Accelerator	1
5	46-8560	Screw - Hex. Hd.	25
6	80-4930	Footrest - Pedal	1
7	32121-51	Pin - Roll	1
8	80-4920	Pedal - Accelerator	1
9	321-3	Screw - Hex. Hd.	2
10	256-156	Bushing	2
11	74-0110	Pedal - Traction (Incl. Ref. #10)	1
12	49-6430	Pad - Reverse	1
13	302-22	Fitting - Grease	1
14	59-1610	Tube - Grease Fitting	1

Ref. No.	Part No.	Description	No. Used
15	3296-3	Nut - Hex.	1
16	2411-34	Ball Joint	1
17	3220-1	Nut - Jam	1
18	3296-29	Nut - Lock	24
19	32121-20	Pin - Roll	1
20	32121-31	Pin - Roll	2
21	21-9260	Cover - Dust	1
22	54-1950	Bracket - Support Bearing	2
23	3296-42	Nut - Lock	16
24	54-1000	Tower - Top	1
25	54-1451	Control - Throttle, Choke	2
26	66-0120	Knob	2
27	321-2	Screw - Hex. Hd.	4
28	32121-10	Pin - Roll	1

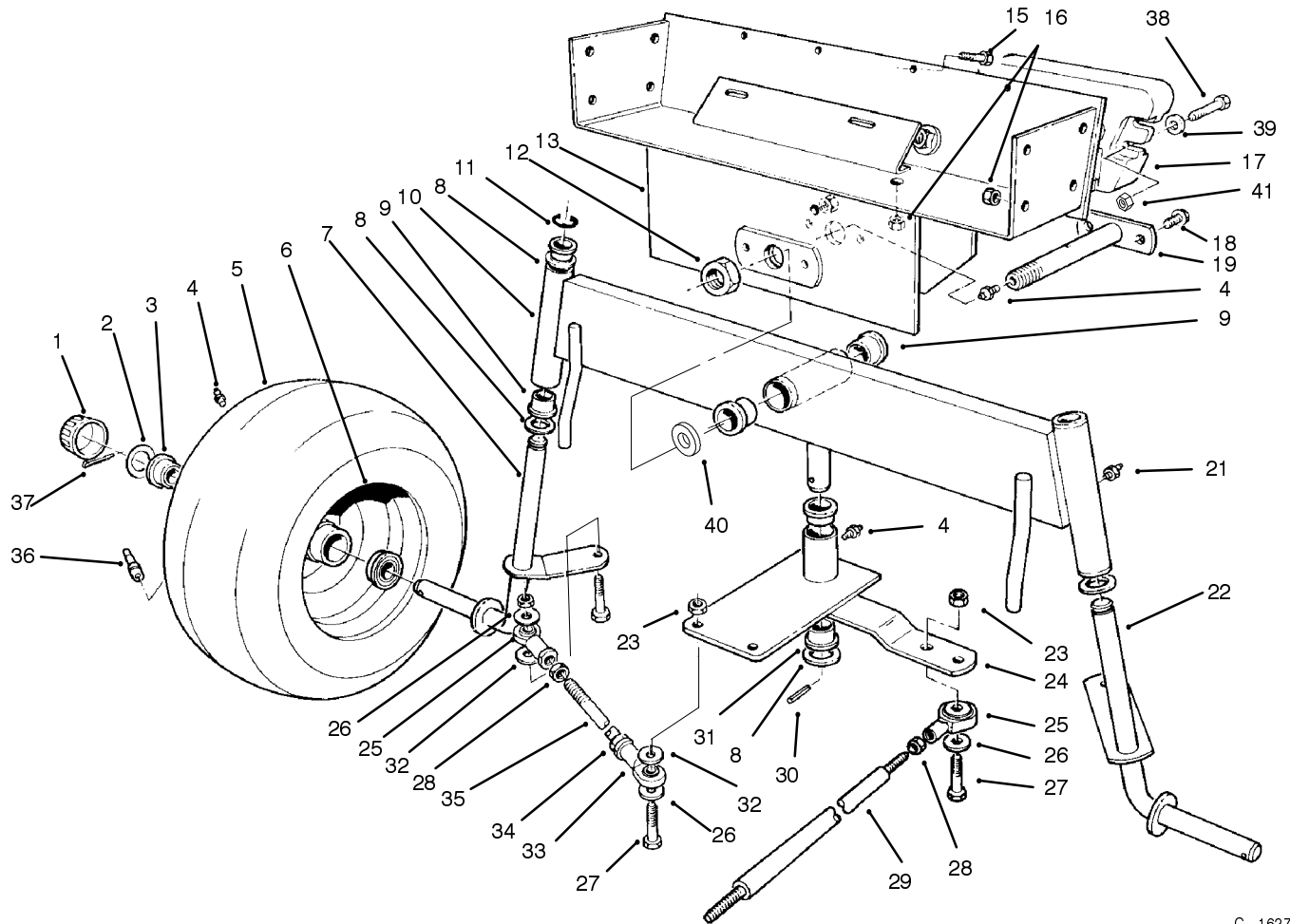


C-1626

## FRAME AND STEERING ASSEMBLY

Ref. No.	Part No.	Description	No. Used
29	98-1467	Wheel - Steering	1
30	54-1420	Shaft - Steering	1
31	47-1980	Cover Steering Shaft	1
32	93-7281	Decal - Throttle Choke	1
33	3254-5	Washer - Lock	1
34	218-461	Nut - Lock	1
35	63-8360	Key	2
36	88-9830	Switch - Ignition (Incl. Ref. #33-35)	1
37	92-6266	Panel - Tower Rear	1
38	113179	Nut	1
39	113050	Cover - P.T.O. Switch	1
40	93-7284	Decal - Switch	1
41	116716	Switch - Clutch & Brake (Incl. Ref. # 38, 72 & 73)	1
42	3290-440	Washer - Belleville	1
43	54-1340	Link - Steering	1
44	54-2640	Cable - Traction Control	1
45	28-3940	Collar - Steering Shaft	2
46	60-9050	Bearing - Steering Shaft	1
47	93-7306	Decal - Tunnel	1
48	32128-20	Nut - Flange Lock	2
49	3256-23	Washer - Flat	4
50	54-1440	Bracket - Tunnel	2

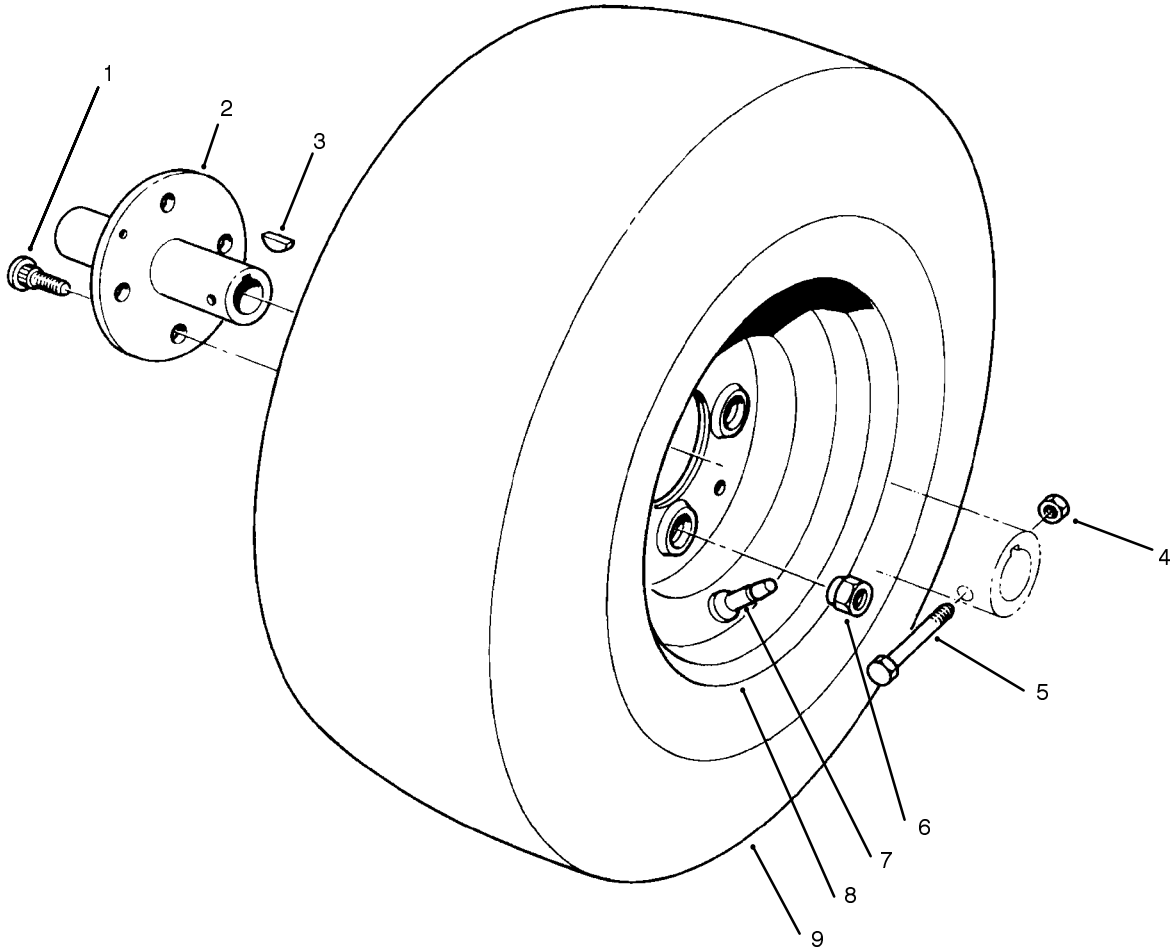
Ref. No.	Part No.	Description	No. Used
51	60-9140	Frame - Footrest	1
52	3-6498	Washer - Thrust	2
53	54-2630	Follower - Steering Shaft	1
54	54-2040	Follower Lever	1
55	3296-48	Nut - Lock	1
56	3256-4	Washer - Flat	1
57	251-304	Rod End	1
58	324-6	Screw - Hex. Hd.	1
59	32121-77	Pin Roll	2
60	32115-5	Nut - Square	4
61	321-4	Screw - Hex. Hd.	14
62	54-2260	Pad Footrest L.H.	1
63	54-1470	Footrest - L.H.	1
64	54-1770	Bracket - Cable Traction	1
65	59-1550	Pedal - Shaft	1
66	60-9150	Tunnel	1
67	322-11	Screw - Hex. Hd.	2
68	54-2270	Pad - Footrest R.H.	1
69	80-4910	Footrest - R.H.	1
70	62-7400	Decal - Toro	1
72	102950	Washer	1
73	105805	Nut	1
74	82-4720	Pad - Footrest	1



C-1627

## REAR AXLE ASSEMBLY

Ref. No.	Part No.	Description	No. Used	Ref. No.	Part No.	Description	No. Used
1	61-9780	Hub Cap	2	23	3296-48	Nut	5
2	28-2480	Washer - Flat	2	24	16-0429-01	Plate- Pivot (Incl. Ref. #4 & 30)	1
3	251-210	Bearing - Ball	4	25	251-305	Rod End	3
4	302-5	Fitting - Grease	4	26	3256-4	Washer - Flat	7
5	231-126	Tire	2	27	324-7	Screw	5
6	242-60	Rim	2	28	3220-4	Nut - Jam	3
7	54-0570	Spindle R.H.	1	29	54-1491	Rod - Steering , Rear	1
8	3-6498	Washer - Thrust	5	30	32121-51	Pin - Roll	1
9	46-6680	Bushing	6	31	27-9080	Bushing	2
10	16-0419-01	Axle - Rear (Incl. Ref. #9 & 20)	1	32	62-4420	Spacer	9
11	32151-48	Ring - Retaining	2	33	251-304	Rod End	2
12	3296-41	Nut - Hex.	1	34	3220-19	Nut - Jam	2
13	54-0330	Frame - Rear	1	35	57-3100	Tie Rod - Steering	2
15	321-4	Screw	4	36	232-27	Valve Stem w/Cap	2
16	3296-29	Nut	8	37	3272-12	Pin - Cotter	2
17	24-5790	Weight - Rear	3	38	325-14	Screw	6
18	32144-15	Screw	2	39	3256-26	Washer	6
19	59-1500	Pivot - Axle	1	40	3256-39	Washer	1
21	302-49	Fitting - Grease	3	41	3217-9	Nut	4
22	54-0560	Spindle L. H.	1				

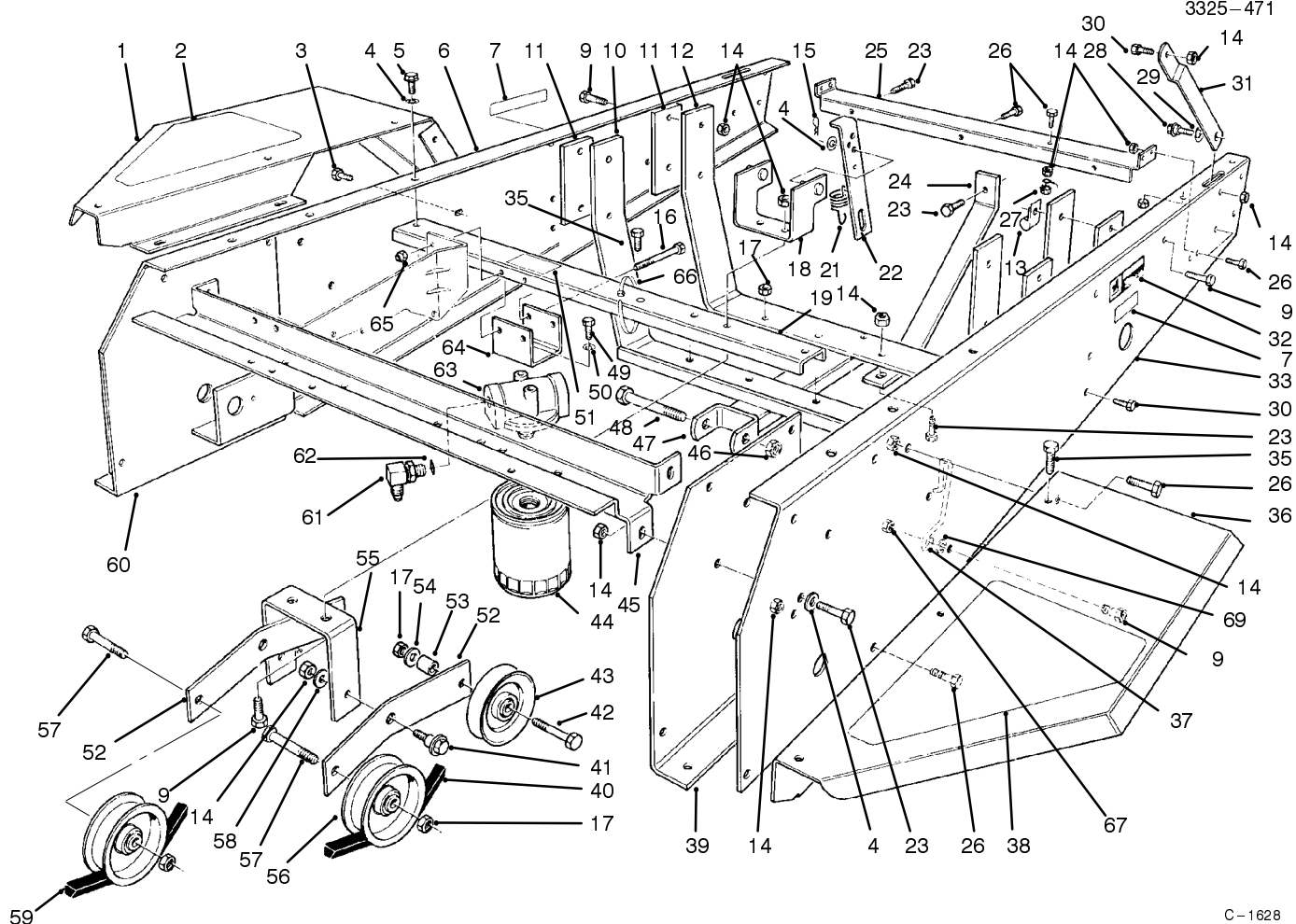


T-0071

## FRONT WHEEL ASSEMBLY

Ref. No.	Part No.	Description	No. Used
1	242-71	Bolt - Wheel	8
2	12-1249	Hub - Wheel (Includes Item No. 1)	2
3	3257-10	Key - Woodruff	2
4	3296-29	Nut - Lock	2

Ref. No.	Part No.	Description	No. Used
5	322-10	Screw	2
6	242-50	Nut	8
7	232-27	Valve Stem w/Cap	2
8	242-76	Rim	2
9	231-122	Tire	2

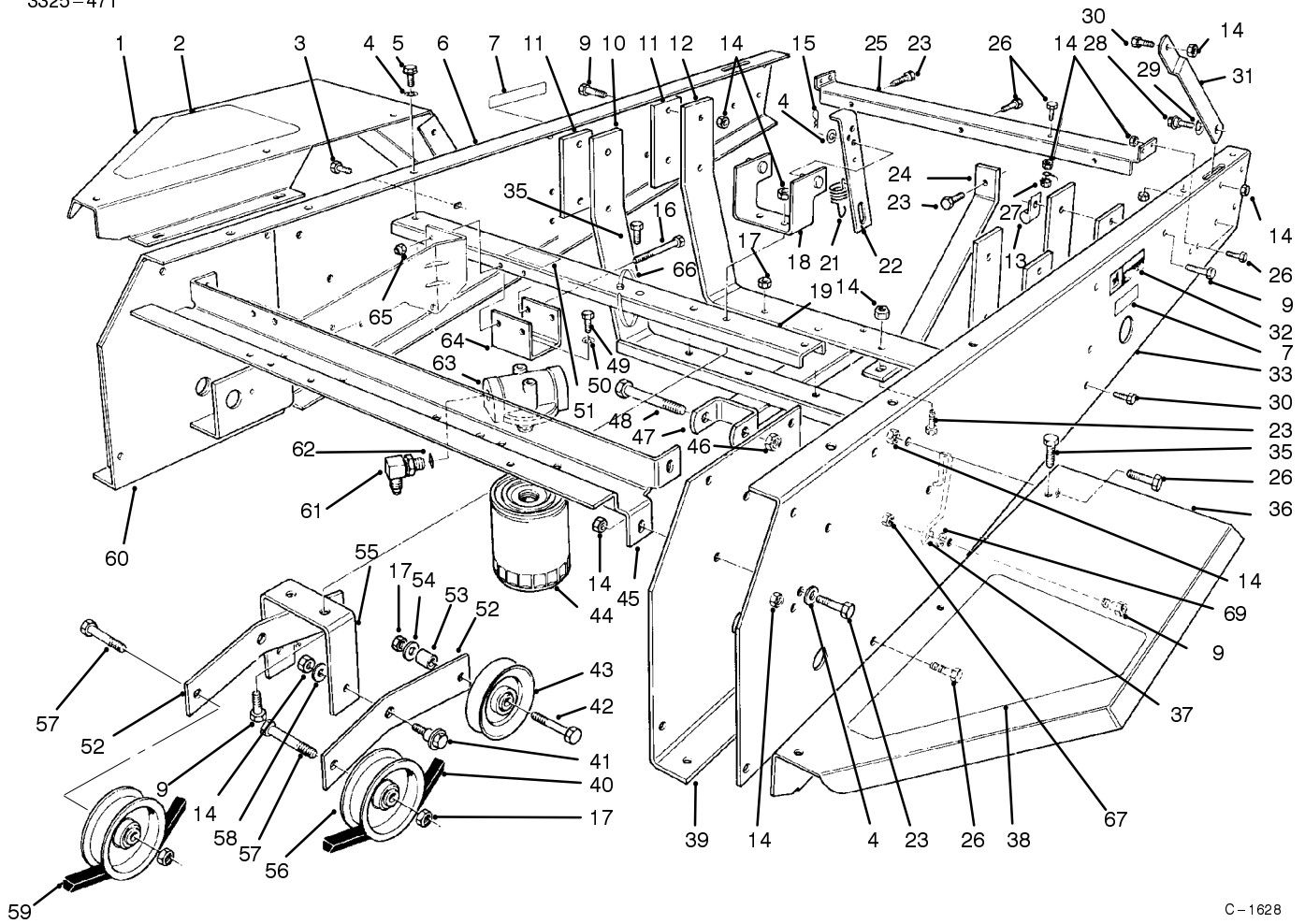


C-1628

## FRAME AND JACKSHAFT ASSEMBLY

Ref. No.	Part No.	Description	No. Used
1	54-1930	Fender R.H.	1
2	92-6292	Pad - Fender R.H.	1
3	3234-14	Screw	4
4	3256-23	Washer - Flat	8
5	32144-11	Screw - Thread Forming	2
6	54-1910	Channel - Side R.H.	1
7	93-7272	Decal - Caution	2
9	322-6	Screw	8
10	92-6250	Mount - Engine	1
11	54-1810	Plate - Engine	4
12	92-6251	Mount - Engine	1
13	2412-100	"J" Clamp	2
14	3296-29	Nut	33
15	3290-250	Pin - Cotter	2
16	321-14	Screw	2
17	3296-44	Nut	4
18	54-2070	Anchor - Spring	1
19	98-0794-03	Channel - Middle	1
20	323-7	Screw	3
21	54-1410	Spring - Idler	2
22	54-1130	Link - Idler Anchor	2
23	322-6	Screw	11

Ref. No.	Part No.	Description	No. Used
24	92-6254	Bar - Tension	1
25	54-1830	Support - Shield	1
26	322-4	Screw	13
27	32149-1	Nut - Lock	1
28	27-0410	Bolt - Shoulder	2
29	3290-211	Washer - Spring	2
30	322-2	Screw	2
31	54-1870	Stop - Hood, Lower	2
32	93-8071	Decal - Hot Surface	1
33	54-1920	Channel - Side L.H.	1
35	46-8560	Screw	7
36	54-1940	Fender L.H.	1
37	55-4860	Guide - Belt	1
38	92-6293	Pad - Fender L.H.	1
39	54-0460	Axle Stand - L.H.	1
40	54-1380	JackShaft - "V" Belt	1
41	19-1470	Bolt - Shoulder	2
42	323-11	Screw	2
43	62-4530	Idler - "V" Belt	2
44	54-0110	Filter - Transmission Oil	1
45	54-1010	Channel - Front	1

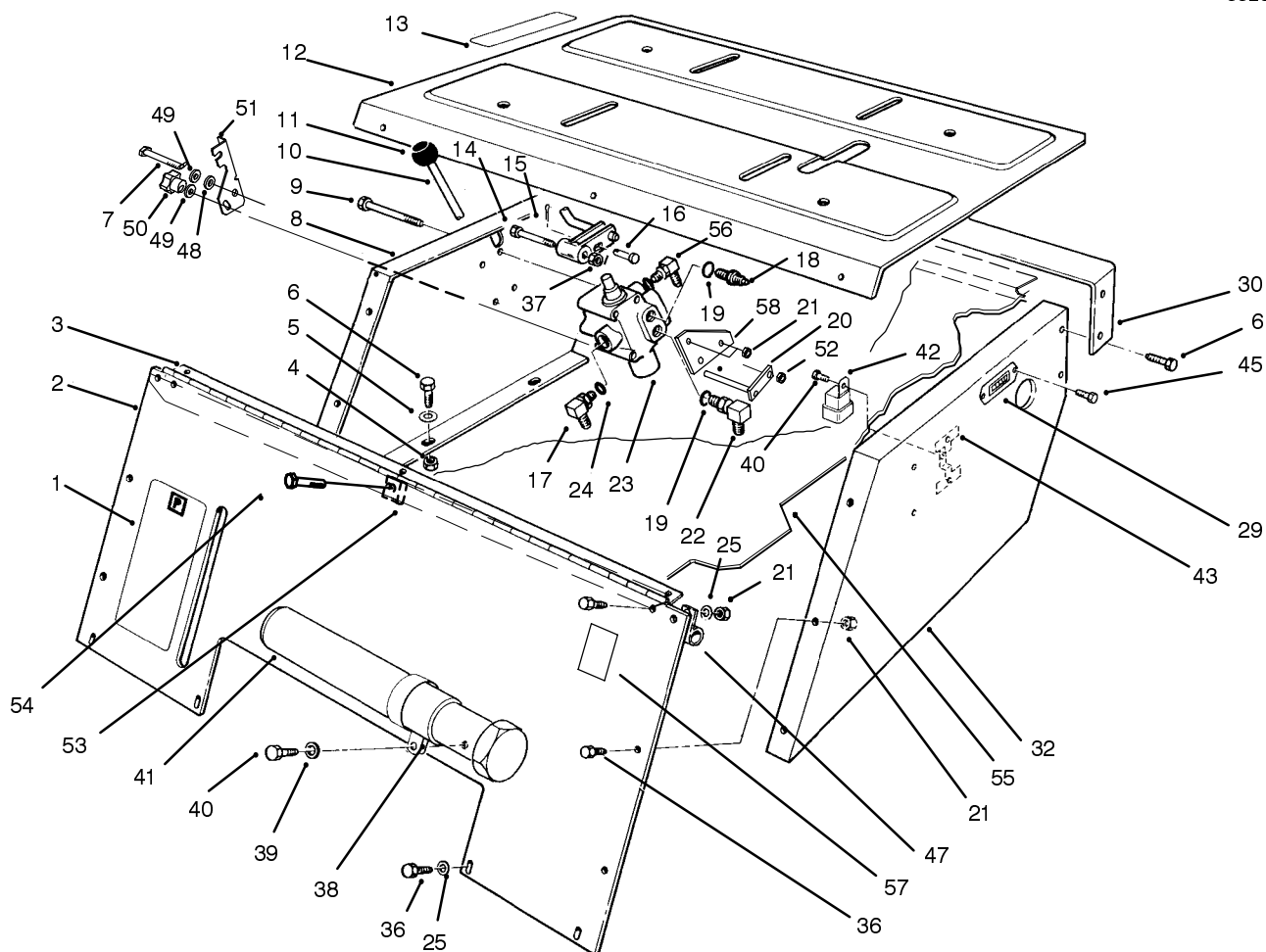


C-1628

## FRAME AND JACKSHAFT ASSEMBLY (Continued)

Ref. No.	Part No.	Description	No. Used
46	3296-61	Nut	1
47	92-6252	Mount - Cylinder	1
48	327-24	Screw	1
49	321-3	Screw	2
50	3253-3	Washer - Lock	2
51	93-7823	Decal - Oil	1
52	98-0795	Lever - Idler	2
53	37-7250	Spacer	2
54	3256-3	Washer - Flat	2
55	98-0792	Bracket - Idler Mount	1
56	62-4540	Idler - Flat	2
57	323-9	Screw	2

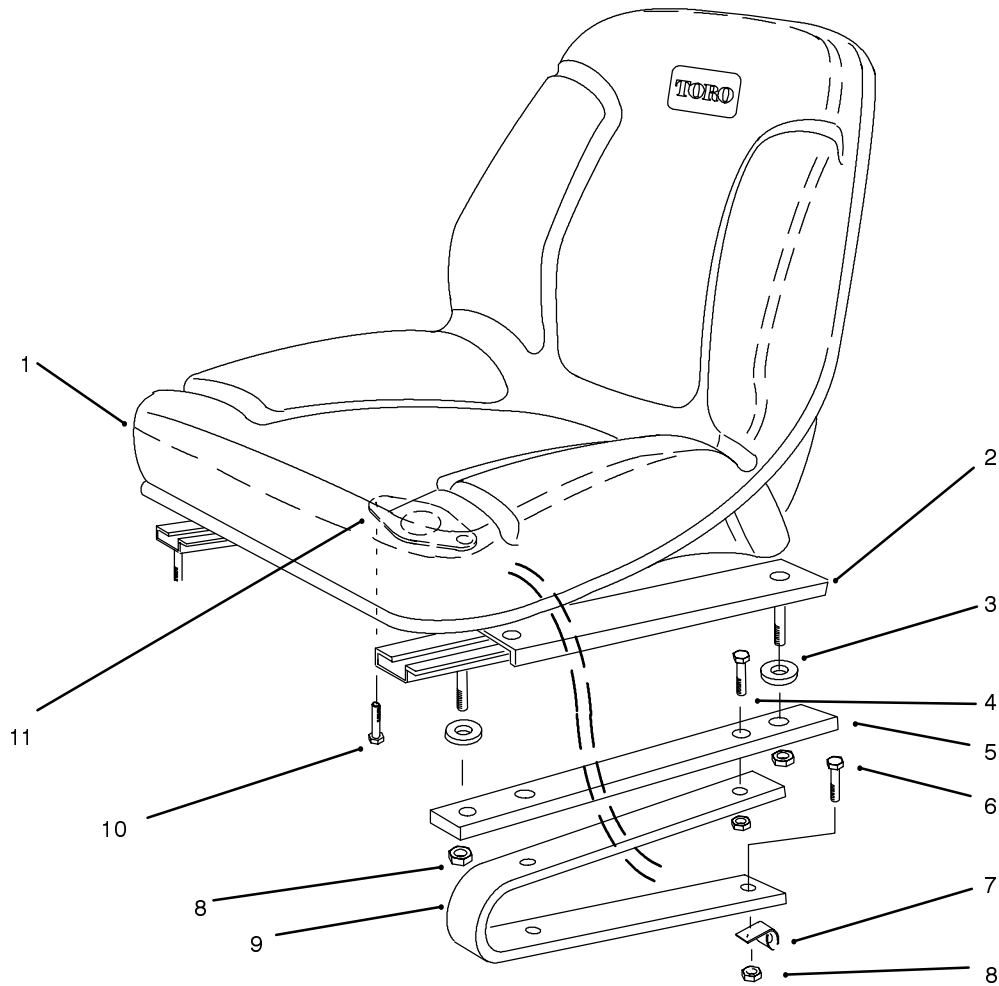
Ref. No.	Part No.	Description	No. Used
58	23-1120	Washer - Flat	2
59	54-1390	"V" Belt - Traction	1
60	54-0450	Axle Stand R.H.	1
61	340-18	Fitting - 90°	2
62	237-79	"O" Ring	1
63	54-0100	Filter Head Assembly	1
64	54-1120	Bracket - Filter Head	1
65	3296-42	Nut - Lock	2
66	3290-379	Cable Tie	7
67	32128-20	Nut - Flange Lock	1
69	3255-8	Washer - Lock, Ext. Tooth	1



C-2813

## SEAT SUPPORT ASSEMBLY

Ref. No.	Part No.	Description	No. Used	Ref. No.	Part No.	Description	No. Used
1	93-7296	Decal - Parking Brake	2	29	75-6820	Meter - Hour	1
2	80-3760	Support - Seat, Front	1	30	54-1550	Support - Hood	1
3	54-1310	Hinge - Seat	1	32	92-5435	Support - Seat L.H.	1
4	3296-29	Nut	10	36	321-4	Screw	5
5	3256-23	Washer - Flat	6	37	3296-5	Nut	1
6	322-4	Screw	10	38	2412-120	"R" Clamp	2
7	321-23	Screw - Hex. Hd.	1	39	3256-51	Washer	2
8	54-1220	Support - Seat R.H.	1	40	32144-73	Screw	4
9	321-23	Screw	2	41	74-0720	Tube - Manual	1
10	82-4680	Lever - Valve	1	42	63-7590	Relay	1
11	233-37	Knob	1	43	92-6259	Bracket	1
12	92-6281	Plate - Seat	1	45	32144-18	Screw	2
13	93-7300	Decal - Lift Control	1	47	2412-93	Clamp - Wire	1
14	56-6590	Screw	1	48	93-9476	Spacer - Latch	1
15	3272-6	Pin - Cotter	1	49	3256-22	Washer - Flat	2
16	283-17	Pin - Clevis	1	50	233-67	Knob	1
17	353-511	Fitting	1	51	93-9475	Bracket - Hydraulic Lock	1
18	353-545	Fitting	1	52	3296-56	Nut - Lock	1
19	237-78	"O" Ring	2	53	3290-199	Nut - Speed	1
20	94-1283	Control Block	1	54	321-5	Screw - Hex. Hd.	1
21	3296-42	Nut - Lock	18	55	93-9477	Cover - Belt	1
22	353-375	Fitting - 90°	1	56	340-77	Fitting	1
23	54-0090	Valve Assembly	1	57	98-4387	Decal	1
24	237-42	"O" Ring	2	58	82-4700	Bracket - Lever	1
25	3256-1	Washer - Flat	10				



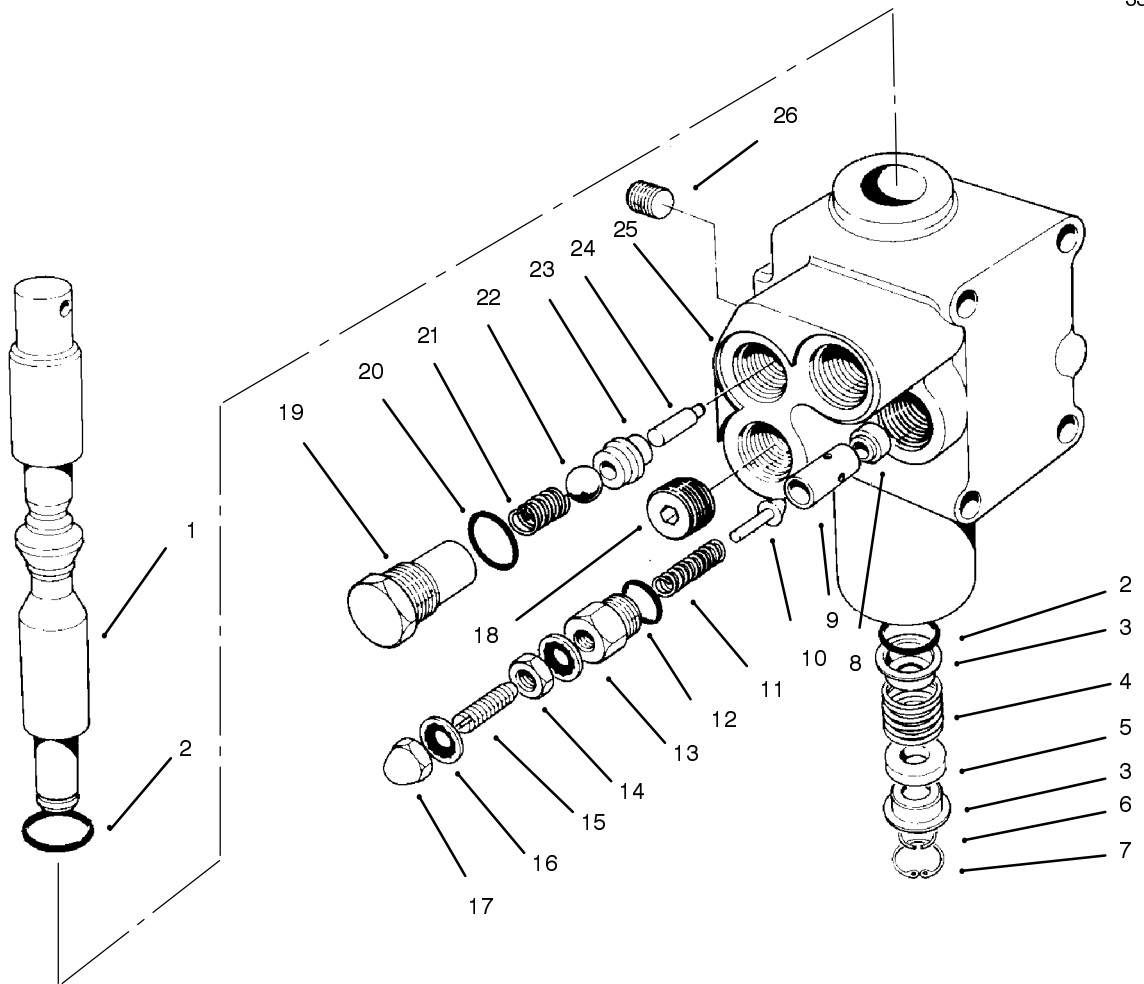
C-1603

## SEAT ASSEMBLY

Ref. No.	Part No.	Description	No. Used
1	104-4620	Seat Olympic, Toro	1
2	51-0790	Slide Seat Adjust Assembly	1
*	51-0780	Slide Seat Assembly R.H.	1
3	109989	Spacer	4
4	322-4	Screw	4
5	92-6284	Plate - Adapter, Seat	2
6	322-5	Screw	4

Ref. No.	Part No.	Description	No. Used
7	2412-93	Clamp - Hose	1
8	3296-29	Nut - Lock	8
9	114263	Spring - Seat	2
10	32144-10	Screw	2
11	92-6282	Switch - Seat	1
*	92-6533	Cushion Replacement	1

\*Not Illustrated

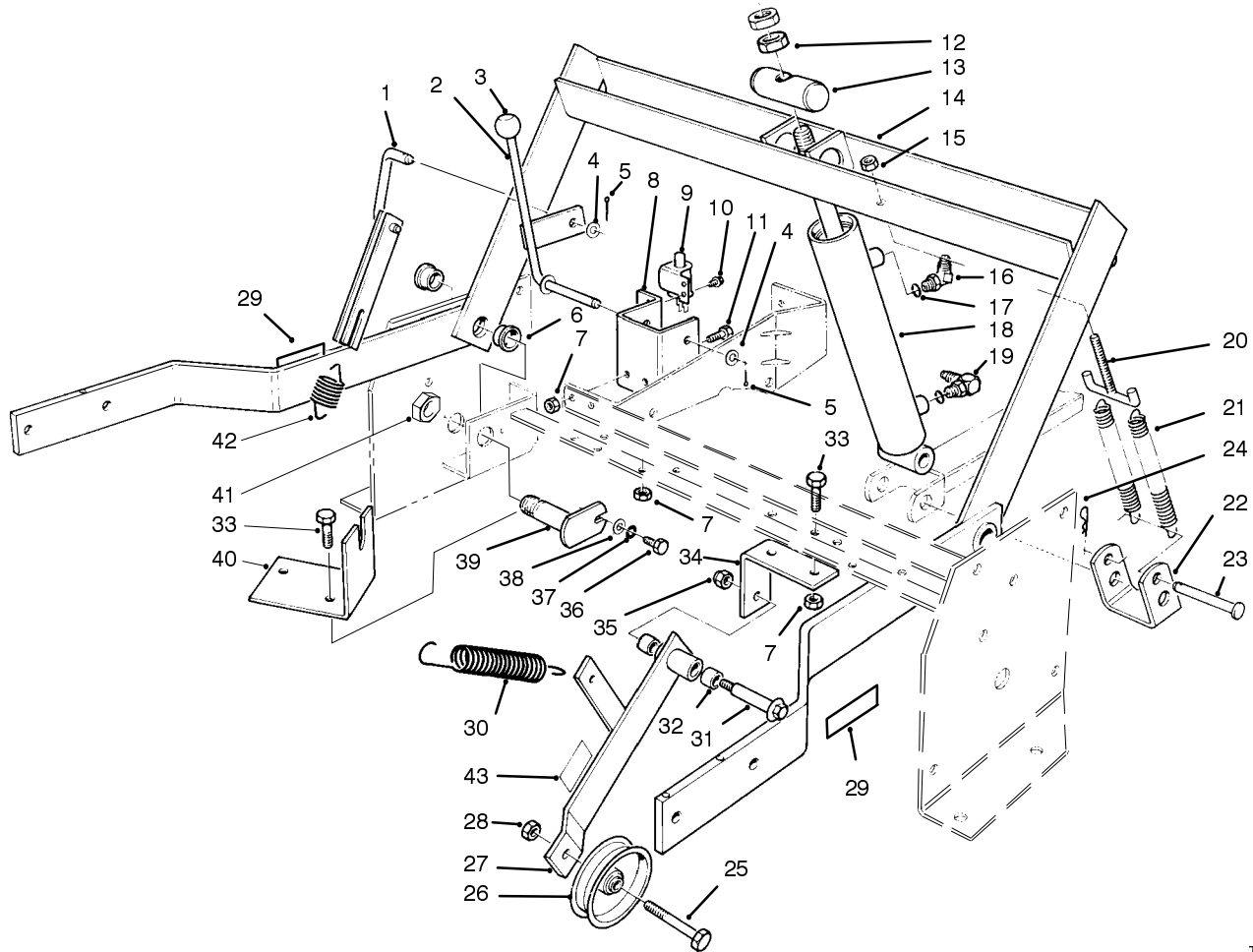


T-0075

### VALVE ASSEMBLY NO. 54-0090

Ref. No.	Part No.	Description	No. Used	Ref. No.	Part No.	Description	No. Used
1	54-0260	Spool	1	15		Screw - Set	1
2	22-8500	"O"Ring	2	16		Stat O Seal	1
3	22-8380	Retainer - Spring	2	17		Nut - Acorn	1
4	22-8410	Spring	1	18	28-1120	Plug	1
5	27-5200	Spacer	1	19	22-8330	Plug	1
6	22-8480	Ring - Retaining	1	20	237-42	"O"Ring	2
7	22-8490	Ring - Retaining	1	21	22-8340	Spring	1
8	55-3640	Seat - Relief	1	22	22-8350	Ball	1
9		Guide	1	23	22-8370	Seat - Check Valve	1
10		Plunger	1	24	22-8360	Pin - Cam	1
11		Spring	1	25		Body	1
12		"O"Ring	1	26	55-3650	Plug	1
13		Cap - PV Adjustment	1	*	55-3630	Adjustable Relief Valve (Incl. Ref. #9-17)	1
14		Nut	1				

\*Not Illustrated

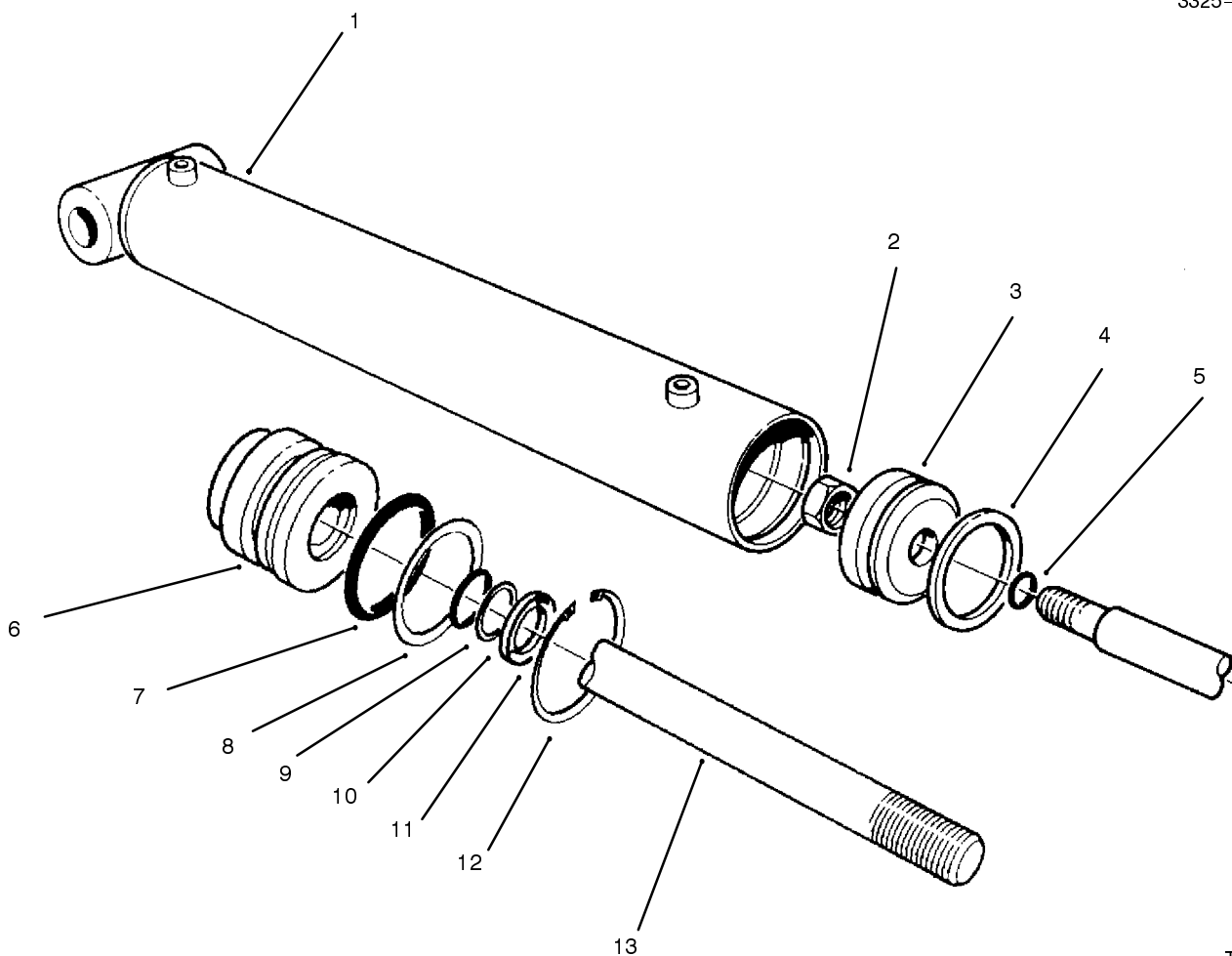


T-0076

## PARKING BRAKE AND LIFT FRAME ASSEMBLY

Ref. No.	Part No.	Description	No. Used
1	54-2120	Link - Parking Brake	1
2	54-2110	Lever - Brake	1
3	233-37	Knob	1
4	3256-24	Washer - Flat	2
5	3272-10	Pin - Cotter	2
6	27-9080	Bushing	4
7	3296-29	Nut	6
8	54-1270	Bracket - Parking Brake	1
9	55-7120	Switch - Brake	1
10	32144-1	Screw - Thread Forming	2
11	322-6	Screw	2
12	3220-6	Nut - Jam	2
13	54-2000	Pin - Pivot	1
14	66-1570	Frame - Lift (Incl. Ref. #6)	1
15	32146-5	Nut - Lock, NI	2
16	353-431	Fitting - 45°	1
17	237-78	"O" Ring	2
18	54-0150	Cylinder - Lift	1
19	353-375	Fitting - 90°	1
20	56-3320	"T" Hook	1
21	56-2760	Spring - Extension	2
22	56-3370	Bracket - Spring	2

Ref. No.	Part No.	Description	No. Used
23	283-55	Pin - Clevis	1
24	3290-355	Pin - Cotter	1
25	323-10	Screw	1
26	62-4520-03	Pulley - Idler	1
27	55-7350-03	Lever - Idler (Incl. Ref. #43)	1
28	3296-44	Nut	1
29	93-7331	Decal - Warning	2
30	54-1170	Spring - Extension	1
31	27-6230	Bolt - Shoulder	1
32	256-154	Bushing	2
33	322-4	Screw	4
34	55-7310	Bracket - Idler	1
35	3296-6	Nut	1
36	321-2	Screw	2
37	3253-3	Washer	2
38	3256-1	Washer	2
39	54-2100	Pin - Pivot	2
40	56-6920	Bracket - Cable Extension	1
41	3296-15	Nut	2
42	54-0960	Spring - Parking Brake	1
43	93-6696	Decal - Spring Load	1



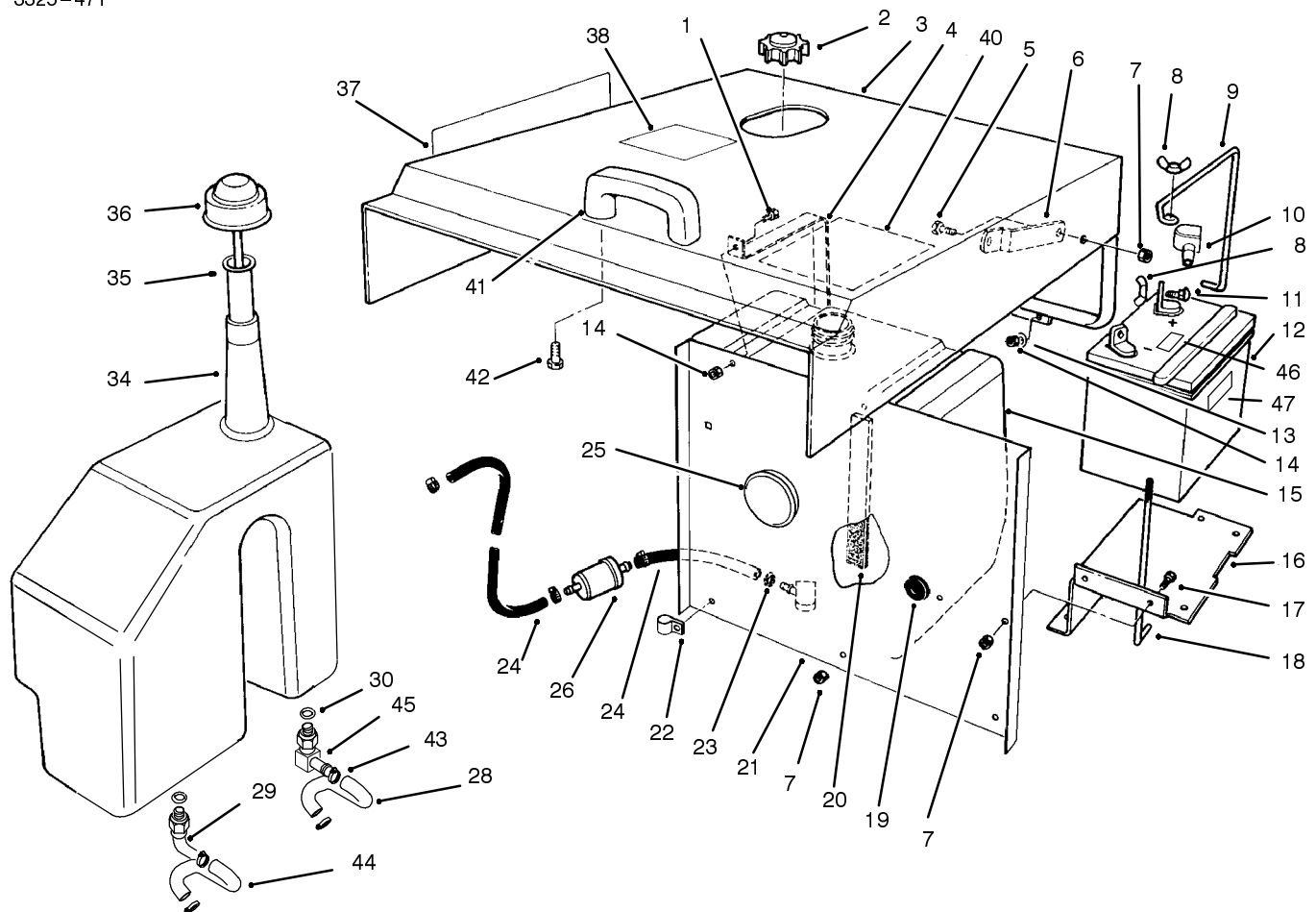
T-0077

## HYDRAULIC LIFT CYLINDER NO. 54-0150

Ref. No.	Part No.	Description	No. Used	Ref. No.	Part No.	Description	No. Used
1†		Barrel	1	9†		"O"Ring	1
2	32152-10	Nut - Lock	1	10†		Washer - Backup	1
3	54-0300	Piston	1	11†		Seal - Dust	1
4†		Uniring	1	12	43-5220	Ring - Retaining	1
5†		"O"Ring	1	13	54-0280	Shaft	1
6	54-0310	Head	1	*	54-0290	Seal Repair Kit (Incl. Ref. #4, 5 & 7-11)	1
7†		"O"Ring	1				
8†		Washer - Backup	1				

\* Not illustrated.

† Not service separately.

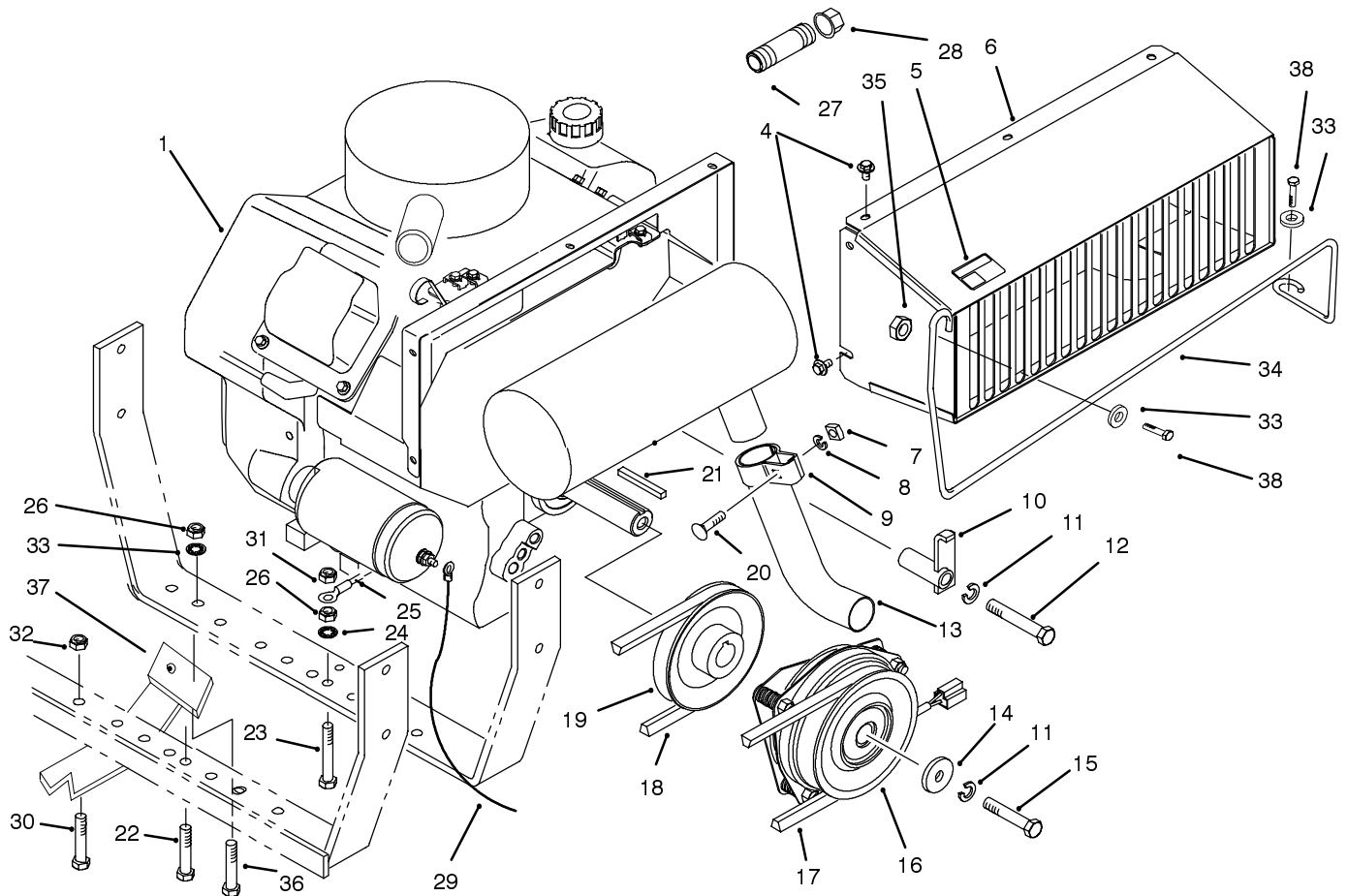


C-1630\*

## HOOD, FUEL TANK & HYDRAULIC RESERVOIR ASSEMBLY

Ref. No.	Part No.	Description	No. Used
1	321-3	Screw - Hex. Hd.	2
2	55-3570	Cap - Fuel	1
3	54-2400-01	Hood	1
4	54-1880	Strap - Fuel Tank	2
5	322-3	Screw - Hex. Hd.	2
6	54-1860	Stop - Hood Upper	2
7	3296-29	Nut - Hex.	9
8	32103-22	Nut - Wing	3
9	54-1260	Clamp - Battery	1
10	77-0981	Boot - Terminal	1
11	3229-1	Bolt - Carriage	2
12	92-1678	Battery	1
13	3256-1	Washer	4
14	3296-42	Nut - Lock	8
15	62-4040	Tank - Fuel	1
16	54-1850	Support - Battery	1
17	322-4	Screw - Hex. Hd.	2
18	12-5950	Rod - Battery Support	1
19	237-100	Grommet	1
20	54-1890	Foam - Tank	2
21	92-6267	Shield - Heat	1
22	2412-100	"R" Clamp	1
23	2412-108	Clamp - Hose	4

Ref. No.	Part No.	Description	No. Used
24	92-6283	Hose - Fuel	2
25	92-6274	Plug - Cap	1
26	94-9695	Filter - Fuel	1
28	98-2853	Hydraulic Hose Assembly 10" Transmission to Reservoir	1
29	94-7691	Adapter - Hydraulic (Incl. Ref. #30)	1
30	237-80	"O" Ring	2
34	98-0781	Reservoir - Hydraulic	1
35	29-0590	Screen	1
36	36-4950	Cap - Oil	1
37	94-5410	Decal - Groundsmaster 120	2
38	93-7822	Decal - Refueling	1
40	92-6288	Decal - Service	1
41	65-5100	Handle	1
42	46-8091	Screw	2
43	2412-129	Clamp - Hose	4
44	98-2852	Hydraulic Hose Assembly 20" Transmission to Reservoir	1
45	98-2876	Adapter - Hydraulic (Incl. Ref. #30)	1
46	93-6668	Decal - Battery	1
47	93-7276	Decal - Danger	1

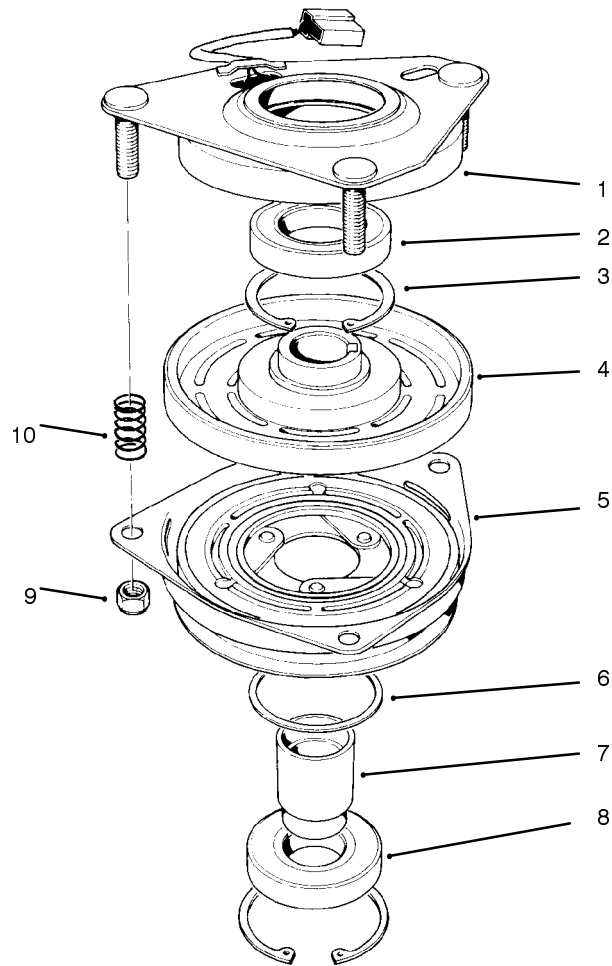


C-2814

## ENGINE ASSEMBLY

Ref. No.	Part No.	Description	No. Used
1		Engine – Kohler 20 HP Model CH20QS PS 64556	1
4	48-7610	Screw	5
5	93-8069	Decal – Hot Surface	1
6	92-6260	Duct – Engine	1
7	3217-6	Nut – Square	1
8	3253-4	Washer – Lock	1
9	55-8660	Assembly – Clamp (Incl. Ref. #7, 8 & 20)	1
10	54-2160	Bracket – Anchor	1
11	3253-6	Washer – Lock	2
12	324-11	Screw – Hex. Hd.	1
13	54-2290	Pipe – Exhaust	1
14	44-8160	Washer – Flat	1
15	3212-24	Screw – Hex. Hd.	1
16	54-0220	Assembly – Clutch	1
17	54-1380	V-Belt	1
18	54-1390	V-Belt	1
19	54-2330	Pulley – Engine	1

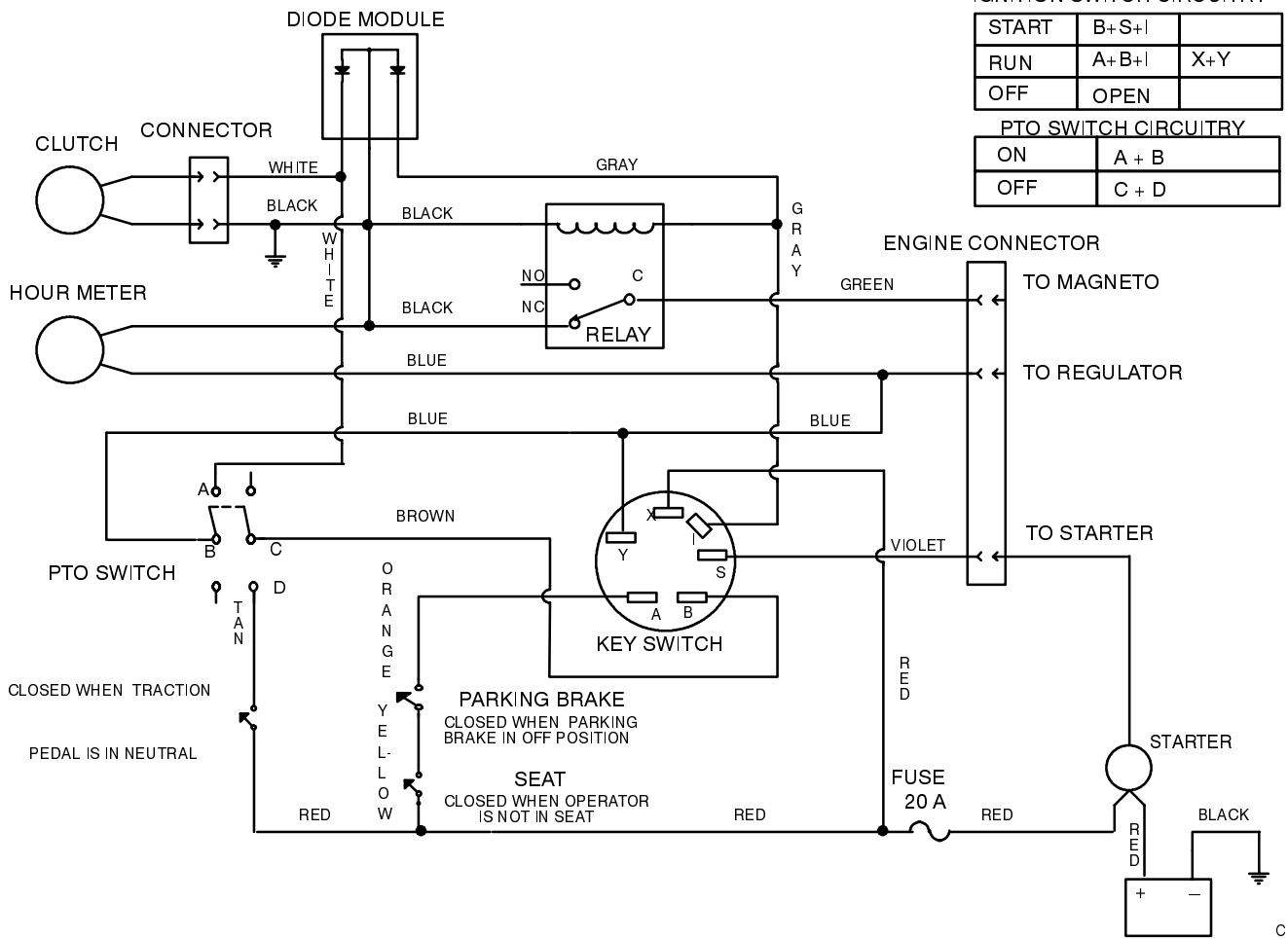
Ref. No.	Part No.	Description	No. Used
20	3230-3	Bolt – Carriage	1
21	5-0930	Key	1
22	323-10	Screw – Hex. Hd.	1
23	323-12	Screw – Hex. Hd.	1
24	3254-6	Washer – Lock, Int. Tooth	1
25	92-6287	Wire – Ground	1
26	3296-39	Nut – Lock	2
27	289-46	Nipple – Pipe	1
28	288-10	Cap – Pipe	1
29	28-3894	Wire – – Positive	1
30	323-9	Screw	2
31	3290-357	Nut – Wizz	1
32	32128-21	Nut – Lock	2
33	3256-23	Washer	2
34	93-9478	Guard – Muffler	1
35	3296-29	Nut – Lock, NI	2
36	323-7	Screw – Hex. Hd.	1
37	98-8000	Guard – Tank	1
38	322-5	Screw – Hex. Hd.	2



T-0080

## CLUTCH ASSEMBLY NO. 54-0220

Ref. No.	Part No.	Description	No. Used	Ref. No.	Part No.	Description	No. Used
1	54-0230	Field Assembly (Incl. Ref. #2 & 3)	1	6	44-8330	Spacer - Bearing	1
2	251-292	Bearing - Field	1	7	44-8340	Collar - Bearing	1
3	44-8310	Ring - Retaining	2	8	251-291	Bearing - Pulley	1
4	44-8360	Field Coil, Rotor & Bearing (Incl. Ref. #1)	1	9	3296-6	Nut - Lock	3
5	44-8370	Armature & Pulley Assembly (Incl. Ref. #3, 6, 7 & 8)	1	10	44-8320	Spring	3



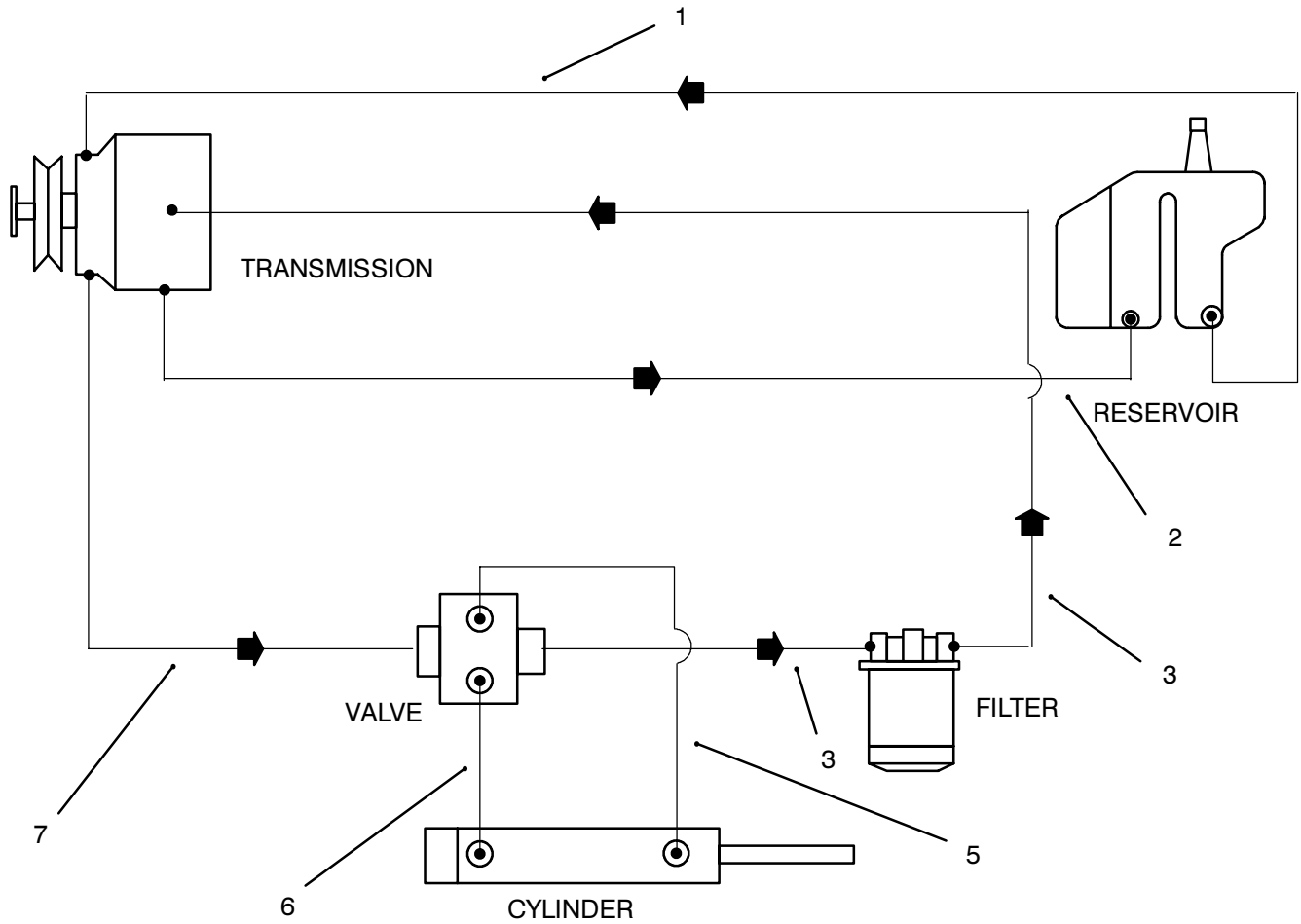
C-1777

## ELECTRIC SCHEMATIC

Ref. No.	Part No.	Description	No. Used
*	94-5848	Harness - Wire	1
*	94-5849	Diode	1

Ref. No.	Part No.	Description	No. Used

\*Not Illustrated

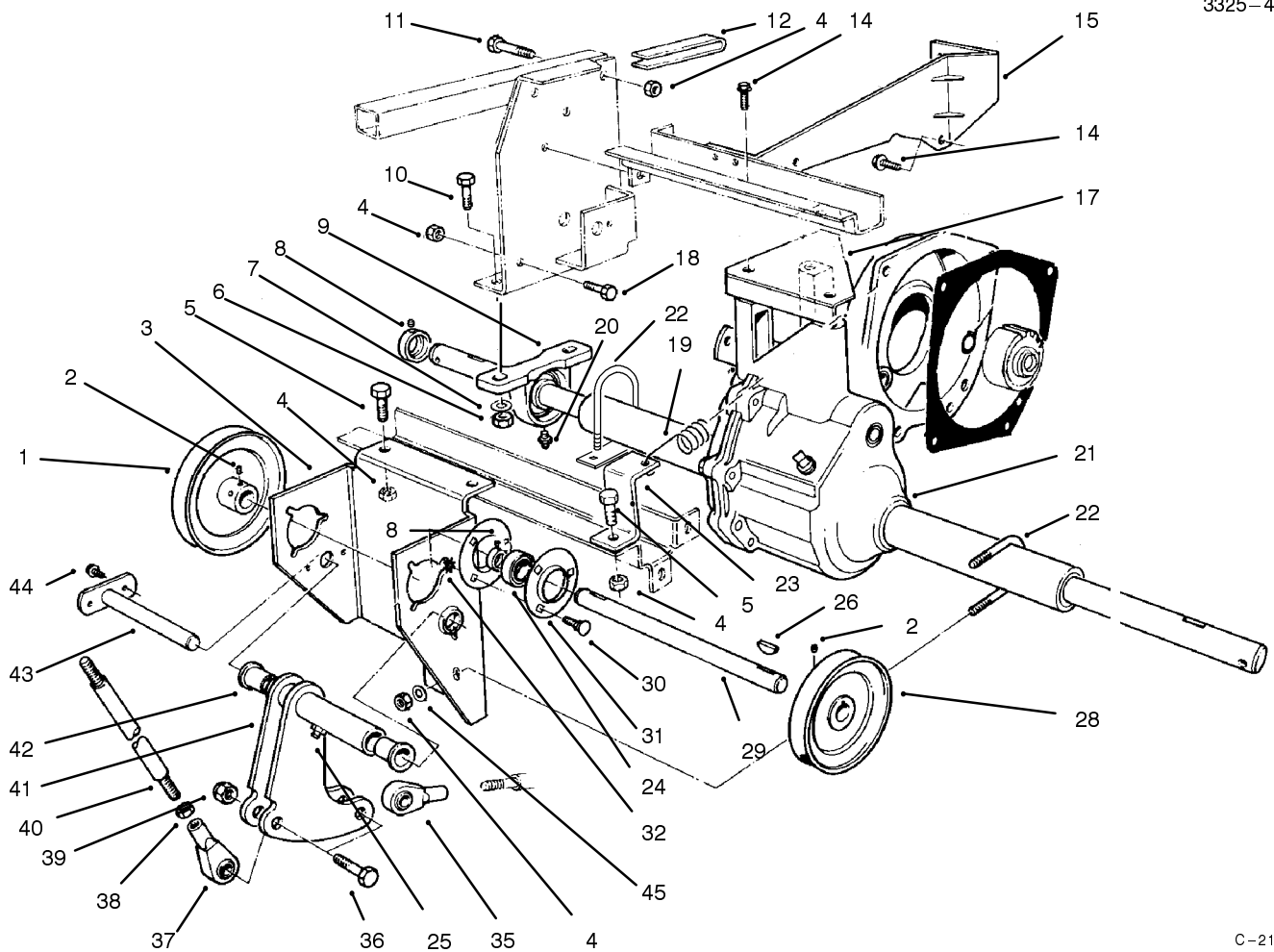


T-0084

## HYDRAULIC SCHEMATIC

Ref. No.	Part No.	Description	No. Used
1	98-2852	Hydraulic Hose Assembly Reservoir to Transmission	1
2	98-2853	Hydraulic Hose Assembly Reservoir to Filter	1
3	98-2851	Hydraulic Hose Assembly Filter to Transmission	2
5	54-2610	Hydraulic Hose Assembly Cylinder to Valve	1

Ref. No.	Part No.	Description	No. Used
6	54-2620	Hydraulic Hose Assembly Cylinder to Valve	1
7	54-2590	Hydraulic Hose Assembly Transmission to Valve	1

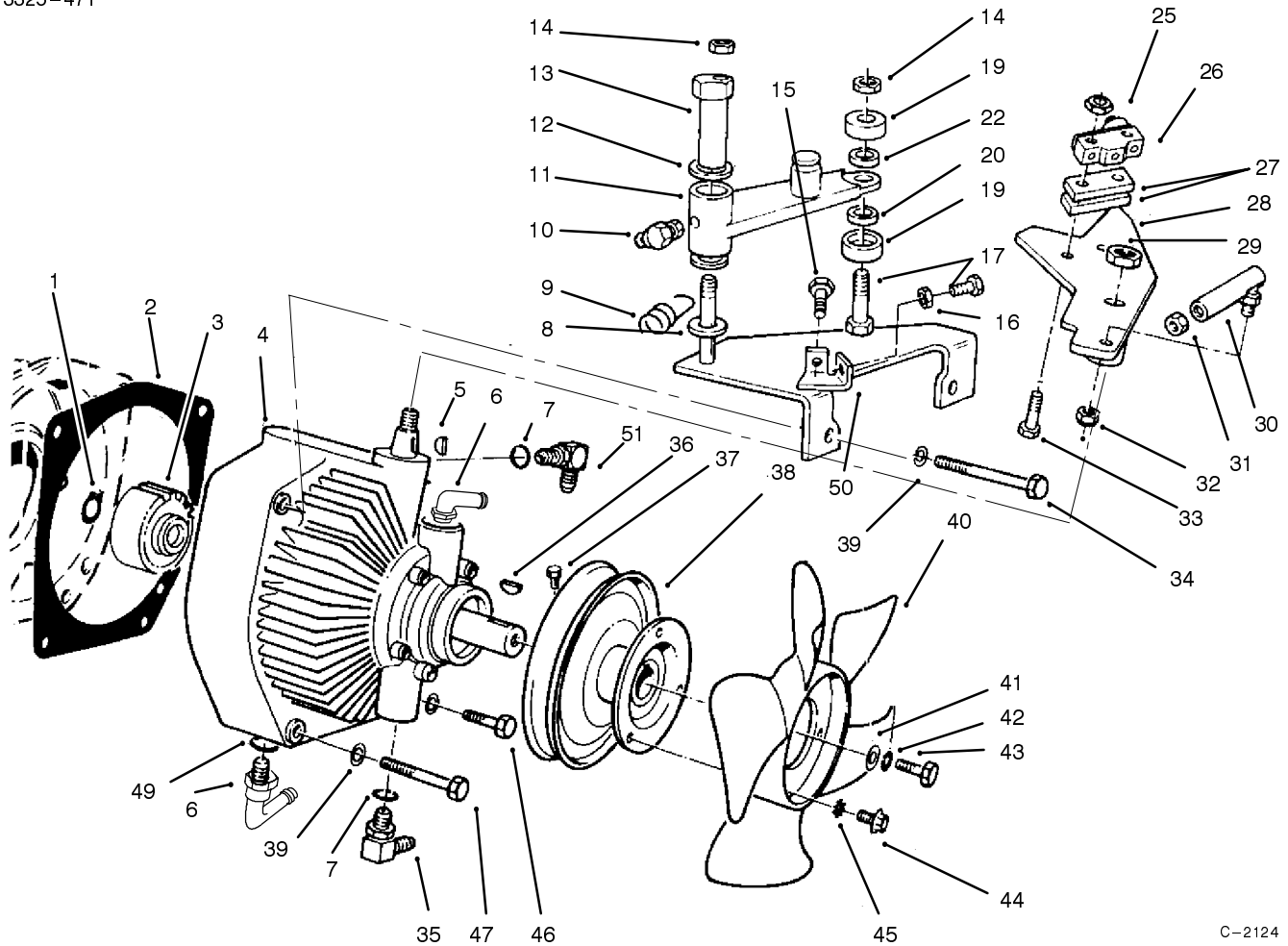


C-2123

## DIFFERENTIAL ASSEMBLY

Ref. No.	Part No.	Description	No. Used	Ref. No.	Part No.	Description	No. Used
1	54-2390	Pulley - Output	1	24	251-288	Bearing w/Collar	2
2	3241-1	Screw - Set	4	25	302-49	Fitting - Grease	1
3	60-9130	Bracket - Jackshaft	1	26	3257-5	Key - Woodruff	3
4	3296-29	Nut - Lock	A/R	28	54-2380	Pulley - Input	1
5	322-4	Screw - Hex. Hd.	6	29	54-1600	Jackshaft	1
6	3296-44	Nut - Lock	4	30	3230-1	Bolt - Carriage	6
7	3256-3	Washer - Flat	6	31	251-341	Flange - Bearing	4
8	3245-35	Screw - Set	4	32	32149-1	Nut - Lock	6
9	72-4060	Bearing Assembly	2	35	251-304	Rod End	1
10	323-8	Screw - Hex. Hd.	4	36	324-7	Screw - Hex. Hd.	2
11	322-10	Screw - Hex. Hd.	4	37	251-305	Rod End	1
12	80-3750	Spacer	2	38	3220-4	Nut - Hex. Jam	2
14	3234-1	Screw - Hex. Flange Hd.	5	39	3296-48	Nut - Lock	2
15	59-1620	Bracket - Transaxle	1	40	54-1490	Rod - Steering	1
17	60-8990	Plate - Transaxle	1	41	54-2060	Bellcrank Assembly (Incl. Ref. #25 & 42)	1
18	322-4	Screw - Hex. Hd.	6	42	46-6680	Bushing - Flanged	2
19	76-9430	Spring - Extension	1	43	59-1470	Shaft - Bellcrank	1
20	302-2	Fitting - Grease	2	44	46-8560	Screw - Thread Forming	2
21	98-2850	Differential Assembly	1	45	3256-23	Washer - Flat	2
22	54-8970	"U" Bolt	1				
23	92-6273	Bracket - Spring	1				

\*Not Illustrated



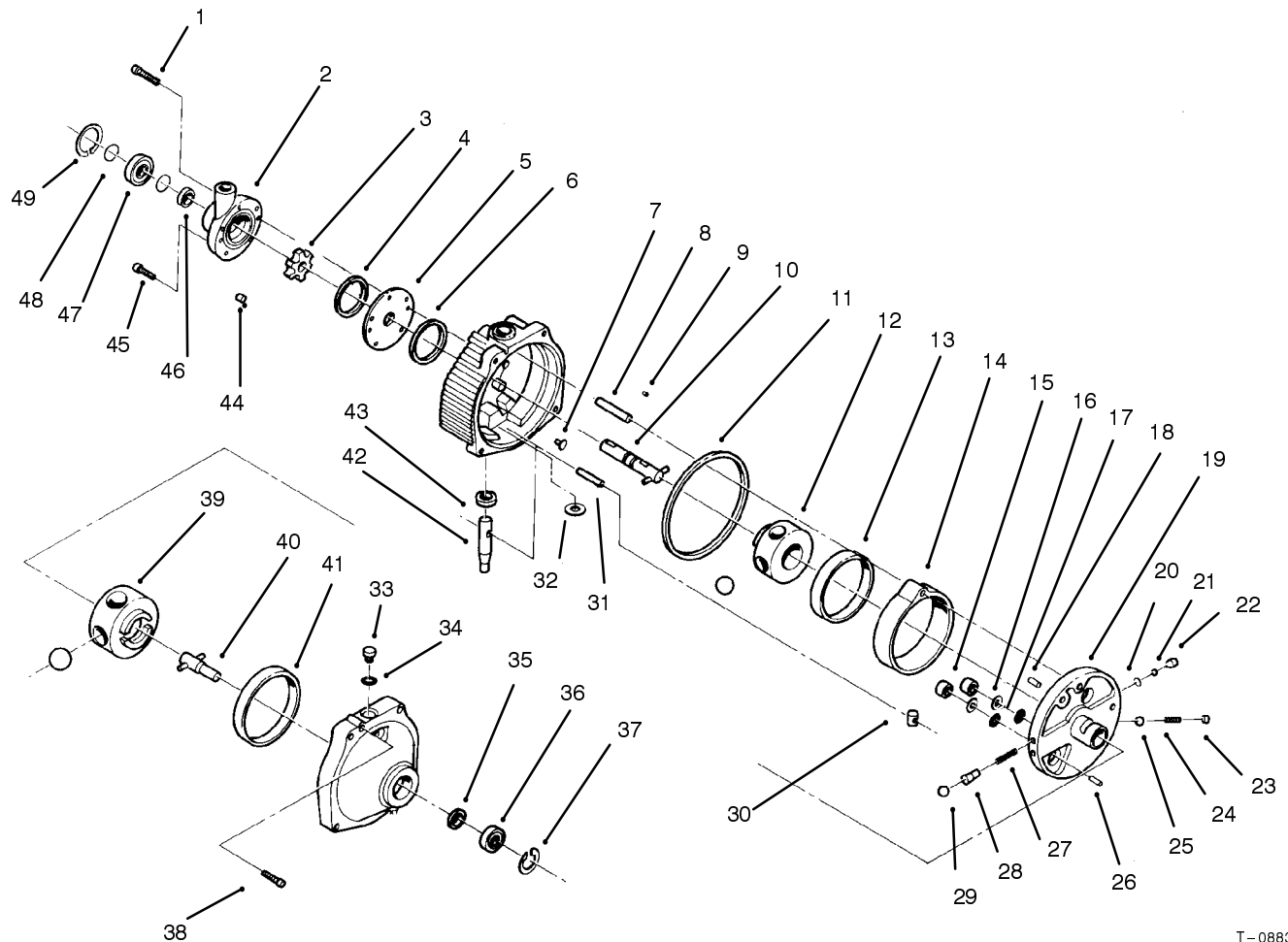
C-2124

## TRANSMISSION ASSEMBLY

Ref. No.	Part No.	Description	No. Used
1	32120-64	Ring - Snap	1
2	55-4320	Gasket	
3	54-0320	Gear	1
4	98-0777	Transmission - Hydrostatic	1
5	3257-24	Key - Woodruff	1
6	94-7691	Adapter	2
7	237-79	"O"Ring	2
8	3256-68	Washer	1
9	76-9430	Spring - Extension (Ref.)	
10	302-60	Fitting - Grease 90°	
11	92-6289	Swing Arm Assembly	1
	*	(Incl. 256-113 Bushings (2))	
12	3-6498	Washer	1
13	76-8640	Stud - Traction	1
14	3296-29	Nut - Lock	A/R
15	322-6	Screw - Hex. Hd.	2
16	3217-6	Nut	4
17	322-7	Screw - Hex. Hd.	1
19	251-306	Bearing	2
20	92-6290	Spacer	1
22	75-5470	Spacer Bearing	1
25	3296-9	Nut	2
26	29-6163	Switch	1
27	75-4130	Spacer	2

Ref. No.	Part No.	Description	No. Used
28	92-6269	Lever - Traction	2
29	3296-25	Nut	1
30	2411-34	Joint - Ball	1
31	3220-1	Nut - Hex. Jam	1
32	3296-3	Nut - Lock	1
33	3250-46	Screw	2
34	323-14	Screw - Hex. Hd.	2
35	353-511	Fitting - Hydraulic 90° (Incl. Ref. #7)	1
36	3257-5	Key - Woodruff	3
37	3241-2	Screw - Set	2
38	54-0930	Pulley - Transmission	1
39	3253-5	Washer - Lock	4
40	54-0240	Fan	1
41	3256-55	Washer	1
42	3253-3	Washer - Lock	1
43	321-2	Screw - Hex. Hd.	1
44	32144-19	Screw - Round Hd.	3
45	3255-5	Washer - Lock	3
46	323-13	Screw - Hex. Hd.	1
47	323-16	Screw - Hex. Hd.	1
49	237-80	"O"Ring	2
50	92-6270	Plate - Traction	1
51	340-98	Fitting Hydro	2

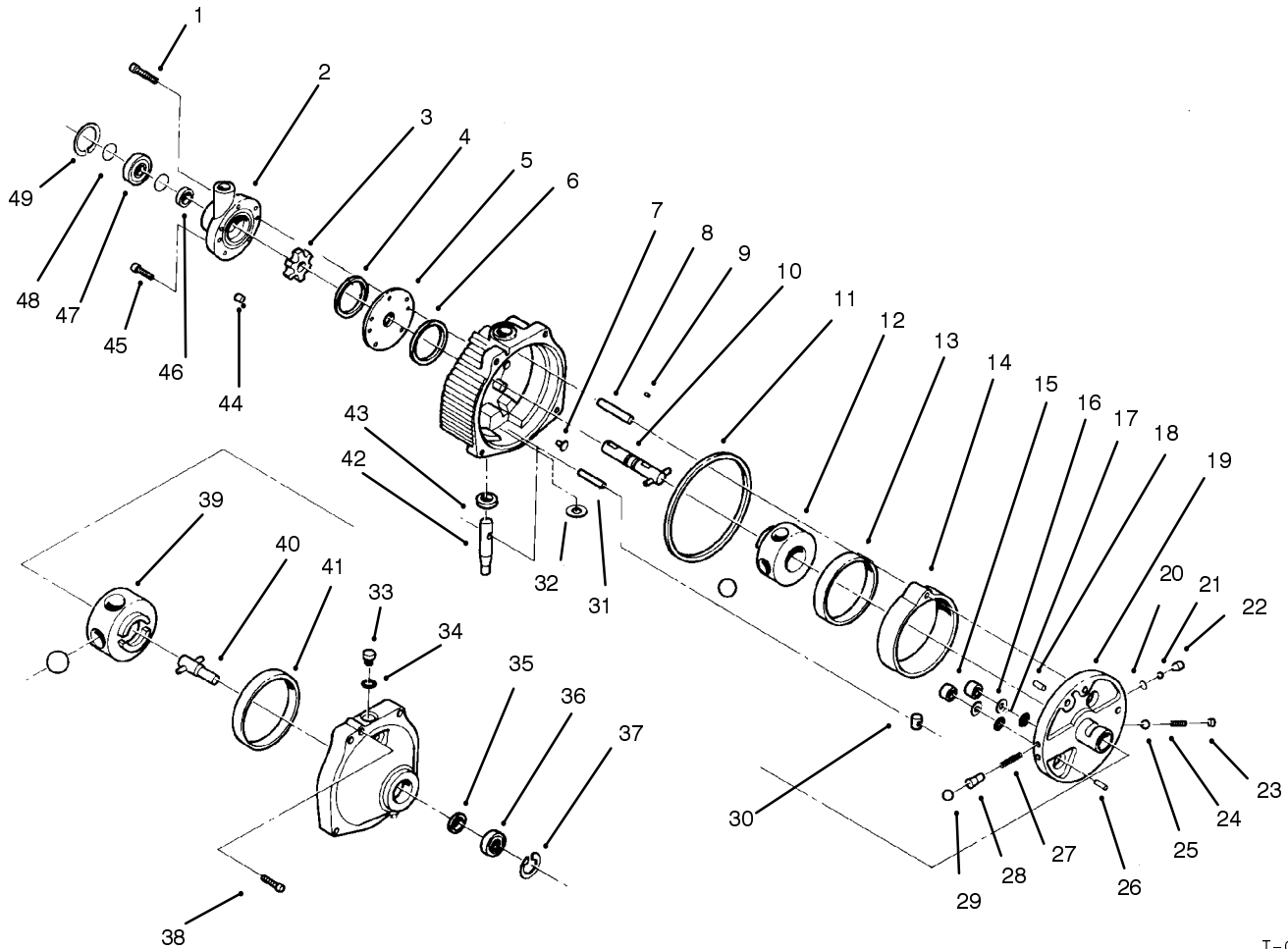
\*Not Illustrated



T-0883

## HYDROSTATIC TRANSMISSION ASSEMBLY

Ref. No.	Part No.	Description	No. Used	Ref. No.	Part No.	Description	No. Used
1	56-2800	Screw - Hex. Socket Hd.	1	17	56-2970	"O"Ring	2
2	56-2830	Charge Pump Assembly (Incl. Ref. #1)	1	18	56-2980	Pin - Coil	1
3	56-3120	Carrier	1	19	56-2990	Pintle Assembly (Incl. Ref. #15-18, 20, 22-26 & 27-29)	1
4	56-2850	Ring - Seal	1	20	56-3000	Ring - Retaining	2
5	56-2860	Plate - Pump	1	21	56-3010	Ball	2
6	56-2870	Ring - Seal	1	22	56-3020	Body - Check Valve	2
7	56-2880	Button	2	23	56-3050	Plug - Relief Valve	1
8	56-2890	Pin - Dowel	1	24	56-3040	Spring - Relief Valve	1
9	56-2900	Pin - Drive	1	25	56-3030	Ball	1
10	56-2910	Input Shaft Assembly	1	26	56-3060	Pin - Dowel	1
11	56-2920	Ring - Seal	1	27	56-3180	Spring - Valve	2
12	56-2930	Pump Rotor & Ball Assembly	1	28	56-3200	Body - Valve	2
13		Race - Pump	1	29	56-3210	Ball	2
14	56-2940	Cam Ring Assembly (Incl. Ref. #13)	1	30	56-3170	Insert - Cam Ring	1
15	56-2950	Piston	2	31		Dowel	1
16	56-2960	Ring - Backup	2	32		Washer - Control Shaft	1



T-0083

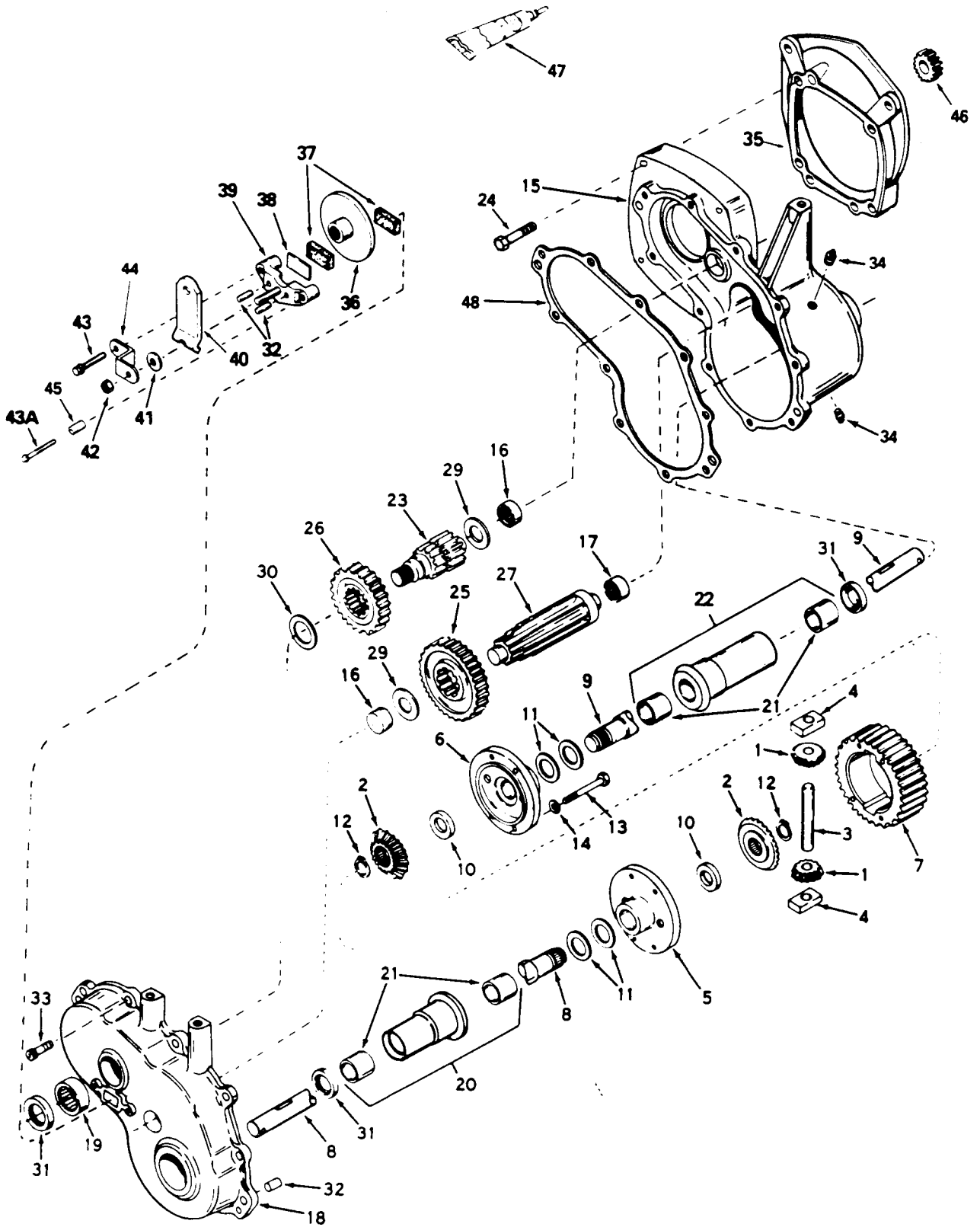
## HYDROSTATIC TRANSMISSION ASSEMBLY (Continued)

Ref. No.	Part No.	Description	No. Used
33	56-3250	Plug Assembly (Incl. Ref. #34)	1
34	56-3260	"O"Ring	1
35	56-3270	Seal - Oil	1
36	56-3280	Bearing - Output	1
37	56-3290	Ring - Retaining	1
38	56-3300	Screw - Hex. Socket Hd.	2
39	56-3220	Motor Rotor & Ball Assembly	1
40	56-3230	Output Shaft Assembly	1
41	56-3240	Race - Motor	1
42	56-3140	Control Shaft Kit (Incl. Ref. #31 & 32)	1

Ref. No.	Part No.	Description	No. Used
43	56-3130	Seal - Oil	1
44	56-3110	Pin - Roll	6
45	56-3100	Screw - Hex. Socket Hd.	4
46	56-2820	Seal - Oil	1
47	56-2810	Bearing - Input	1
48	56-3090	Ring - Retaining	2
49	56-3080	Ring - Retaining	1
*	56-3310	Kit - Overhaul Seal (Incl. Ref. #4, 6, 11, 16, 17, 34, 35, 43 & 46)	1

# DIFFERENTIAL ASSEMBLY NO. 1310-005

3325-471



Peerless Differential  
Obtain parts from Peerless

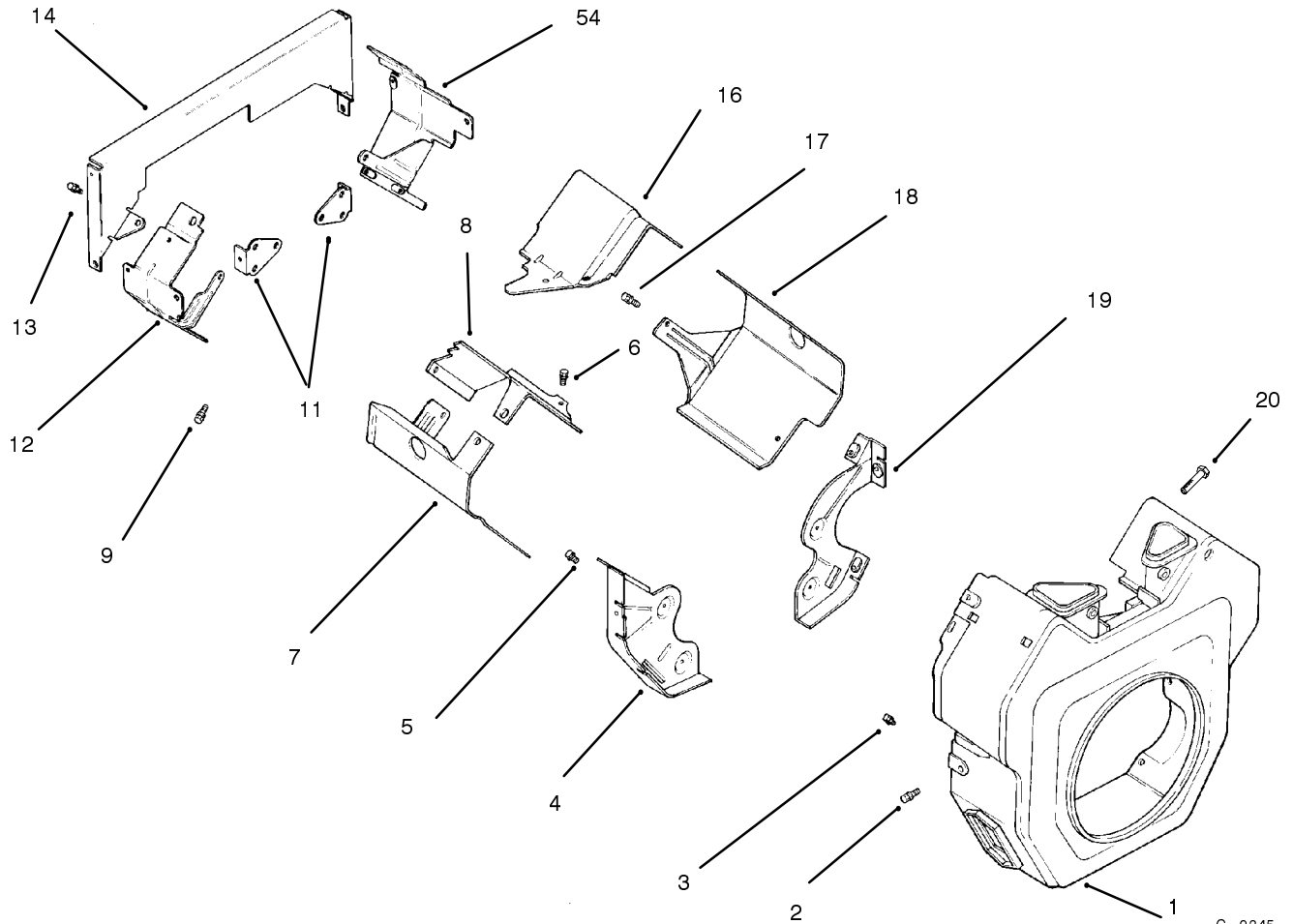
C-1619

**DIFFERENTIAL ASSEMBLY NO. 1310-005**

Ref. No.	Part No.	Description	No. Used
1	778197	Pinion – Bevel	1
2	778366	Gear – Bevel	1
3	786019	Pin – Drive	1
4	786027	Block – Drive	1
5	774028A	Carrier – Differential	1
6	774029A	Carrier – Differential	1
7	778033A	Gear – Ring	1
8	775036	Axle – 16-5/8"	1
9	775037	Axle – 21-57/64"	1
10	780107	Washer	1
11	780042	Washer – Thrust	1
12	792018	Ring – Snap	1
13	792020	Screw – Hex. Hd.	1
14	792006	Washer – Lock	1
15	770080A	Case Assembly (Incl. Ref. #16 & 17)	1
16	780013	Bearing – Needle	1
17	780088	Bearing – Needle	1
18	772085	Cover Assembly (Incl. Ref. #16 & 19)	1
19	780089	Bearing 0 Needle	1
20	782041A	Housing Assembly – 6-5/8" (Incl. Ref. #21)	1
21	780054	Bushing	1
22	782042A	Housing Assembly – 8-5/8" (Incl. Ref. #21)	1
23	776245	Shaft – Brake	1
24	792120	Screw – Hex. Hd.	1

Ref. No.	Part No.	Description	No. Used
25	778036	Gear – Output	1
26	778037	Gear – Spur	1
27	776244	Shaft – Output	1
29	780001	Washer	1
30	780090	Washer	1
31	788008	Seal – Oil	1
32	786026	Pin – Dowel	1
33	792046	Screw – Thread Forming	1
34	792122	Plug – Pipe	1
35	786112	Plate – Adapter	1
36	790027	Disc – Brake	1
37	790021	Pad – Brake ( Pack of 2 )	1
38	790007	Plate – Brake Pad	1
39	790025	Holder – Brake Pad	1
40	790010	Lever – Brake	1
41	792076A	Washer – Flat	1
42	792075	Nut – Lock	1
43	792073A	Screw – Thread Forming	1
43A	792085A	Screw – Thread Forming	1
44	786086	Bracket	1
45	786066	Spacer	1
46	778194	Gear – Spur 22T	1
47	510334A	Gasket Eliminator	1
48	788044	Gasket	1
	730229A	Gear Oil	1
	799025	Kit – Axle (Incl. 1,2,8,9,12 &31)	1

Peerless Differential  
Obtain parts from Peerless



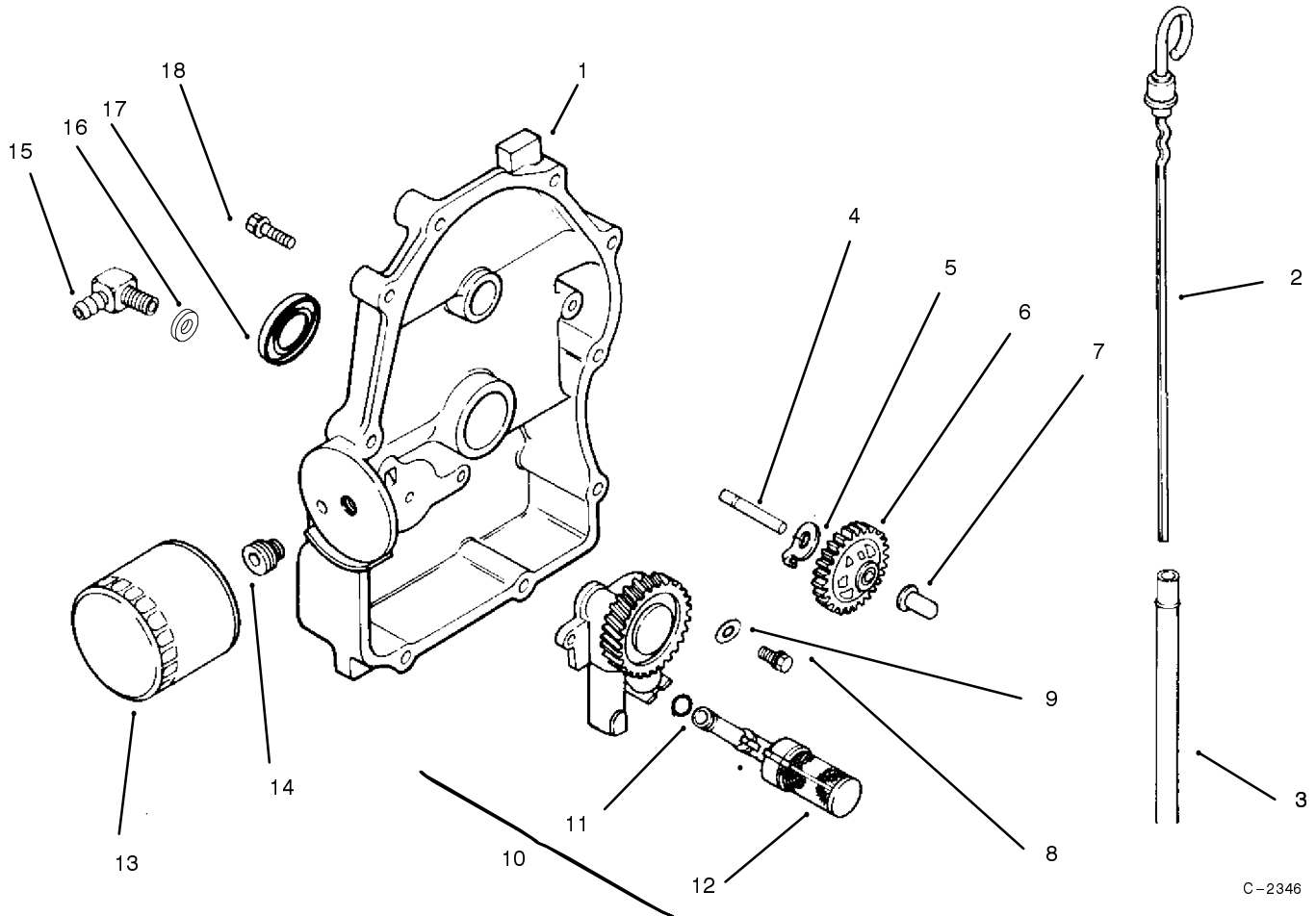
C-2345

## BAFFLES AND SHROUD ASSEMBLY

Ref. No.	Part No.	Description	No. Used
1	24 027 21	Housing – Blower	1
2	SM-0545016	Screw	5
3	M-0551016	Screw	1
4	24 146 02	Plate – Backing #2 side	1
5	M-0645016	Screw	4
6	M-0645016	Screw	2
7	24 063 20	Baffle – Cylinder Barrel # 2 side	1
8	24 063 17	Baffle – Valley #2 side	1
9	M-0545010	Screw	2
*10	24 755 14	Kit – "Q" Duct (Incl. Ref. # 11-15)	1
11	24 126 04	Bracket – Support	2

Ref. No.	Part No.	Description	No. Used
12	24 063 12	Baffle, – Ducted Air # 2 side	1
13	M-0639010	Screw	8
14	24 146 04	Plat – Ducted Air Backing	1
15	24 063 13	Baffle – Ducted air # 1 side	1
16	24 063 24	Baffle, Valley 1 side	1
17	SM-0545016	Screw	2
18	24 063 08	Baffle – Cylinder Barrel # 1 side	1
19	24 146 08	Plate – Backing #1 side	1
20	M-0545020	Screw	2

\*Not Illustrated



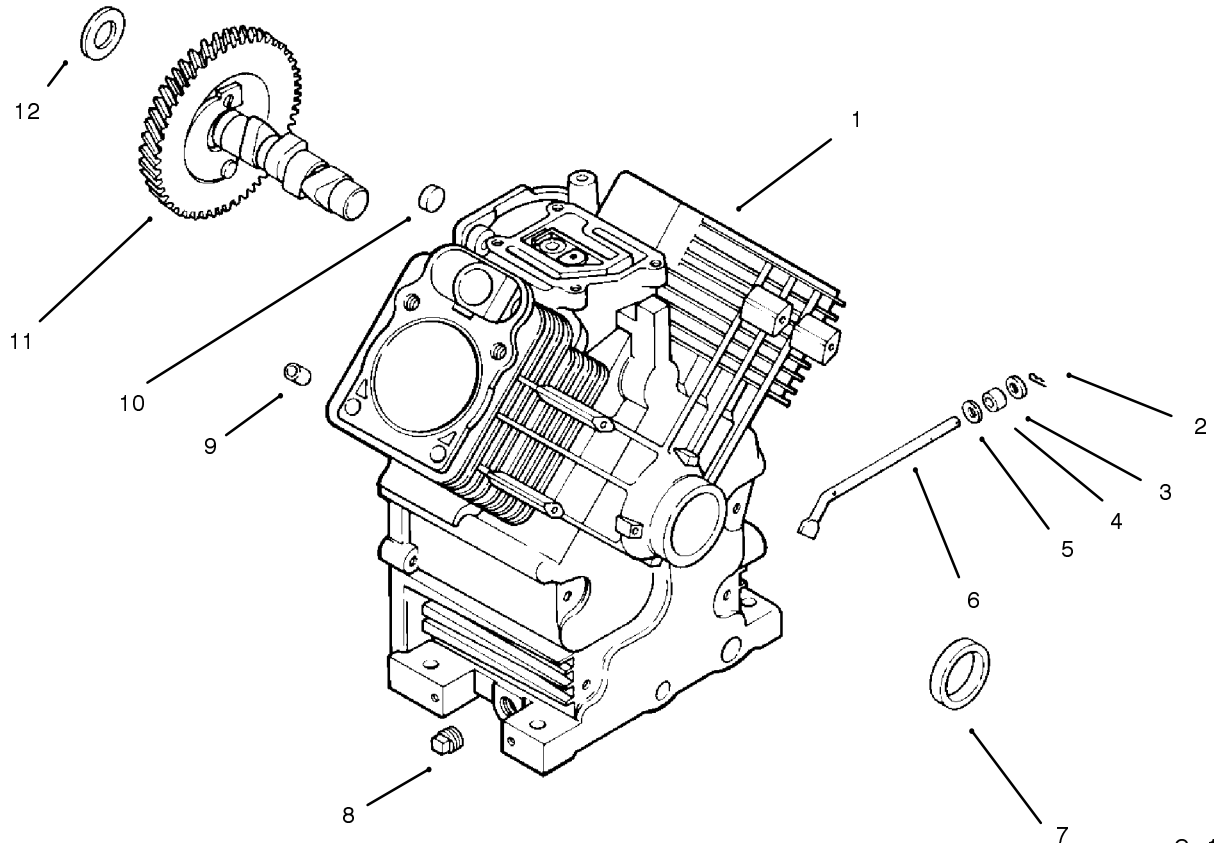
C-2346

## OIL PAN/LUBRICATION

Ref. No.	Part No.	Description	No. Used
1	24 009 83	Plate – Closure (Incl. Ref. # 2-7, 10-12, 16 & !7)	1
2	24 038 01	Dipstick	1
3	24 123 04	Tube – Dipstick	1
4	12 144 02	Shaft – Governor Gear	1
5	52 448 02	Tab – Locking	1
6	24 043 12	Kit – Governor Gear Asm (Incl. Ref. # 7)	1
7	12 380 01	Pin – Governor Regulating	1
8	M-0645025	Screw	2
9	M-0631005	Washer – Flat	2

Ref. No.	Part No.	Description	No. Used
10	24 393 03	Oil Pump Assembly (Incl. Ref. # 11-12)	1
11	24 153 01	"O"Ring	1
12	24 381 01	Pick-up, – Oil	1
13	12 050 01	Filter – Oil	1
14	24 136 01	Adapter – Oil Filter	1
15	25 155 02	Connector, – 90° Hose	1
16	24 153 08	"O"Ring	1
17	52 032 08	Seal – Oil (PTO End)	1
18	24 086 16	Screw	10

\*Not Illustrated

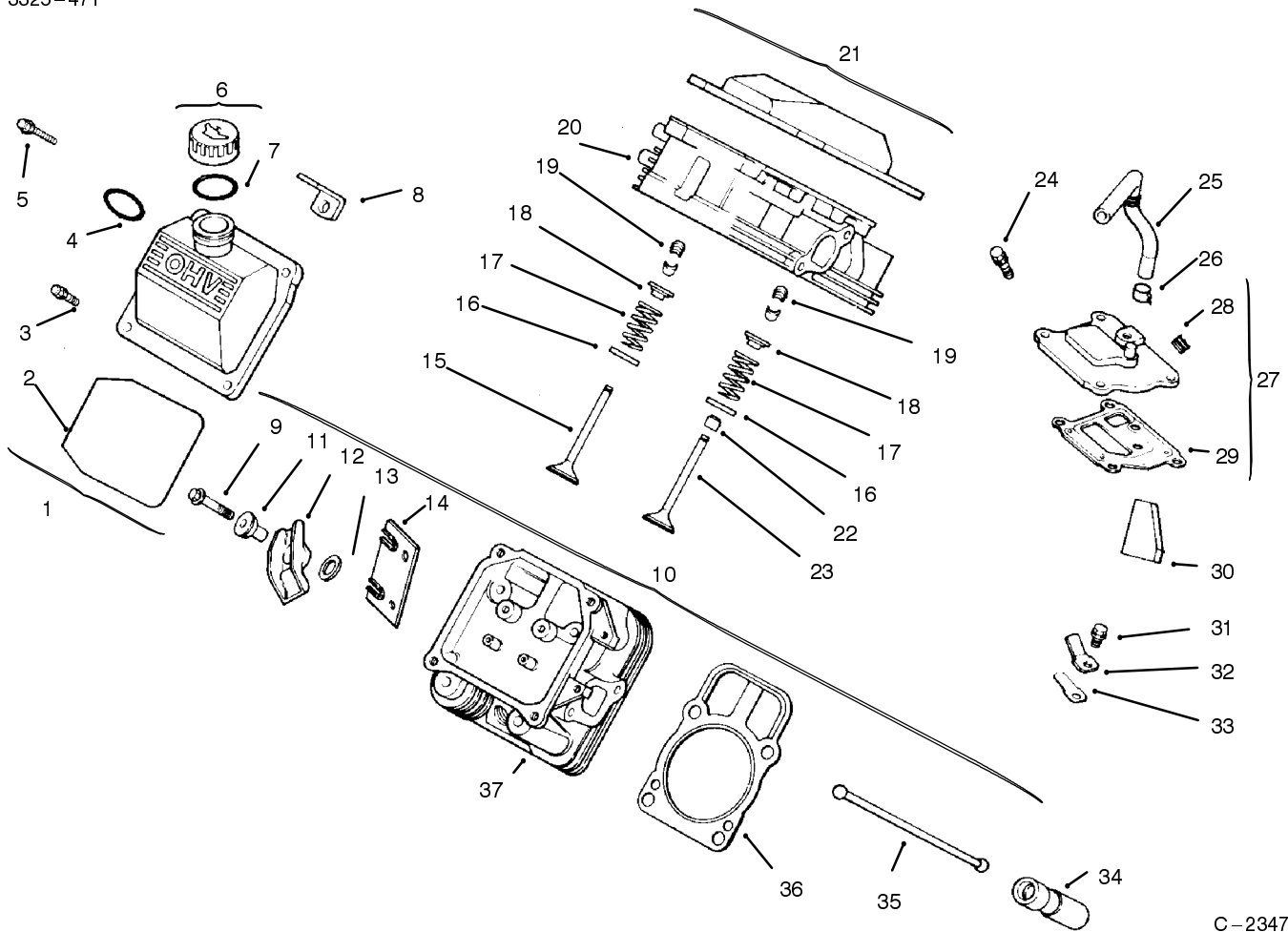


C-1611

## CRANKCASE

Ref. No.	Part No.	Description	No. Used	Ref. No.	Part No.	Description	No. Used
1		Cylinder block (Use Miniblock 24 782 01)	1	11	24 012 05	Camshaft	1
2	12 380 04	Pin - Hitch	1	12	12 422 09	Shim - Camshaft, Green	A/R
3	X-25-102	Washer - Plain	1	*	12 422 13	Shim - Camshaft, Black	A/R
4	12 032 01	Seal - Governor Cross Shaft	1	*	12 422 07	Shim - Camshaft, White	A/R
5	X-25-63	Washer	1	*	12 422 08	Shim - Camshaft, Blue	A/R
6	24 144 01	Shaft - Governor Cross	1	*	12 422 10	Shim - Camshaft, Yellow	A/R
7	24 032 01	Seal - Oil	1	*	12 422 11	Shim - Camshaft, Red	A/R
8	X-75-10	Plug, Sq. Hd.	2	*	12 422 12	Shim - Camshaft, Gray	A/R
9	12 380 03	Pin - Dowel	6	*	24 782 01	Short Block	1
10	52 139 09	Plug - Cup	1	*	24 755 03	Set - Gasket	1

\*Not Illustrated



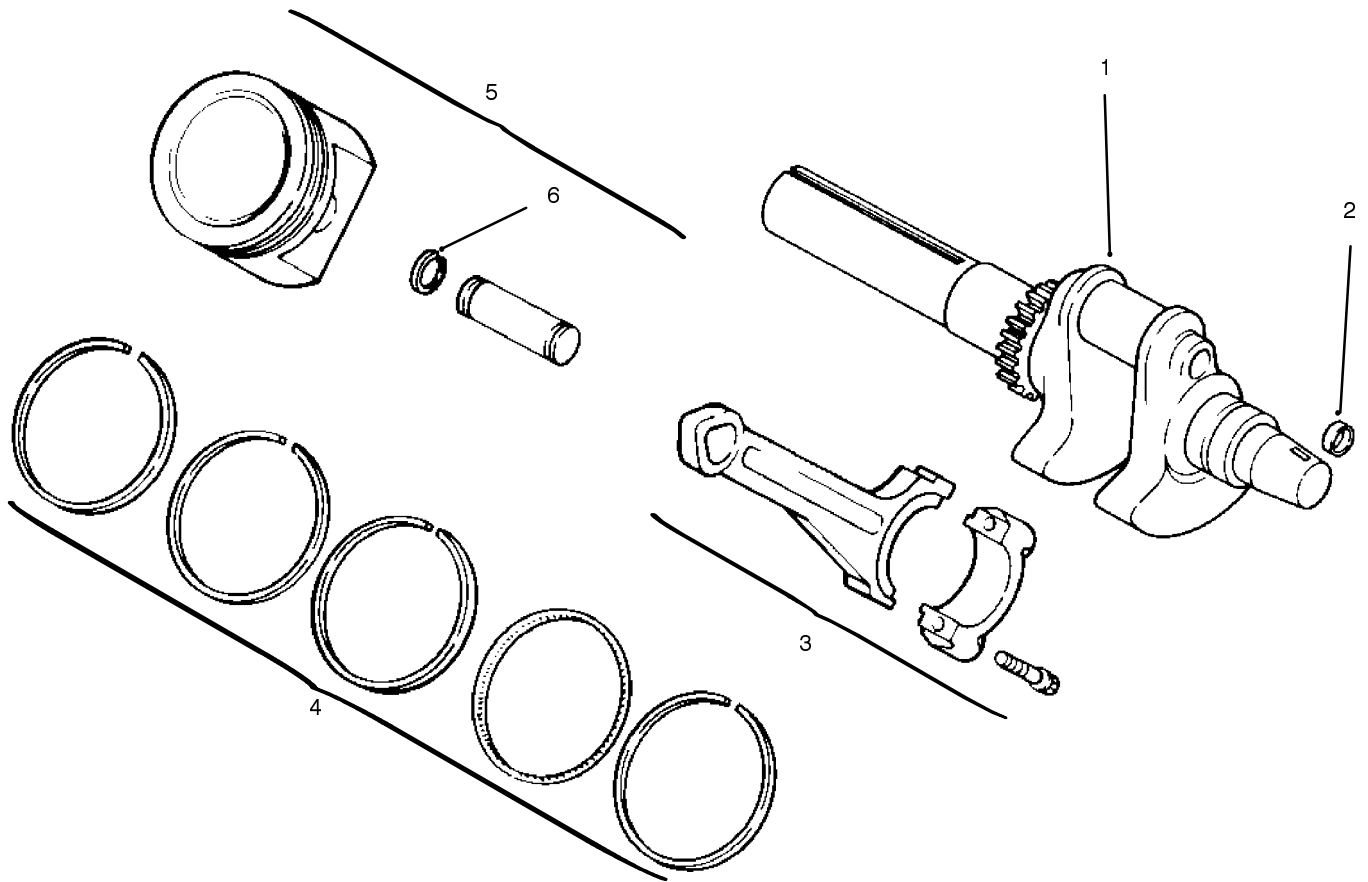
C-2347

## CYLINDER HEAD, VALVE & BREATHER

Ref. No.	Part No.	Description	No. Used
1	24 755 75	Kit – Valve Cover (Incl. Ref. #2-4)	1
2	24 153 12	"O"Ring	1
3	24 086 32	Screw – Shoulder	4
4	24 153 09	"O"Ring	1
5	12 086 16	Screw	8
6	25 755 13	Kit – Oil Fill Cap (Incl. Ref. #7)	1
7	12 153 03	"O"Ring	1
8	24 445 01	Strap – Lifting	1
9	M-0640034	Screw	4
10	24 755 61	Kit – Valve Train (Incl. Ref. # 11-14 & 35)	1
11	24 194 02	Pivot – Rocker Arm	4
12	24 186 03	Arm – Rocker	4
13	M-0631005	Washer – Plain	4
14	24 146 09	Plate – Guide	2
15	24 016 01	Valve – Exhaust (Std.)	2
*	24 016 02	Valve – Exhaust (.25)	2
16	235011	Retainer – Spring	4
17	24 089 02	Spring – Valve	4
18	12 173 01	Cap – Valve Spring	4
19	12 755 03	Kit – Retainer	4

Ref. No.	Part No.	Description	No. Used
20	24 318 09	Head Assembly (# 1 Cylinder)	1
21	24 755 74	Kit – Valve Cover (Incl. Ref. # 2 & 3)	1
22	24 032 05	Seal – Valve Stem	2
23	24 017 01	Valve – Intake (Std.)	2
*	24 017 02	Valve – Intake (.25)	2
24	M-0645020	Screw	4
25	24 326 06	Hose – Breather	1
26	X-426-9	Clamp – Breather	1
27	24 033 01	Kit – Breather w/Plug (Incl. Ref. # 28 & 29)	1
28	X-75-23	Plug	1
29	24 041 23	Gasket – Breather	1
30	24 050 01	Filter – Breather	1
31	M-0545010	Screw	1
32	12 018 01	Retainer – Reed	1
33	24 402 03	Reed	1
34	12 351 01	Lifter – Valve	4
35	24 411 04	Rod – Push	4
36	24 041 08	Gasket – Cylinder Head	2
37	24 318 10	Head – Assembly (# 2 Cylinder)	2

\*Not Illustrated



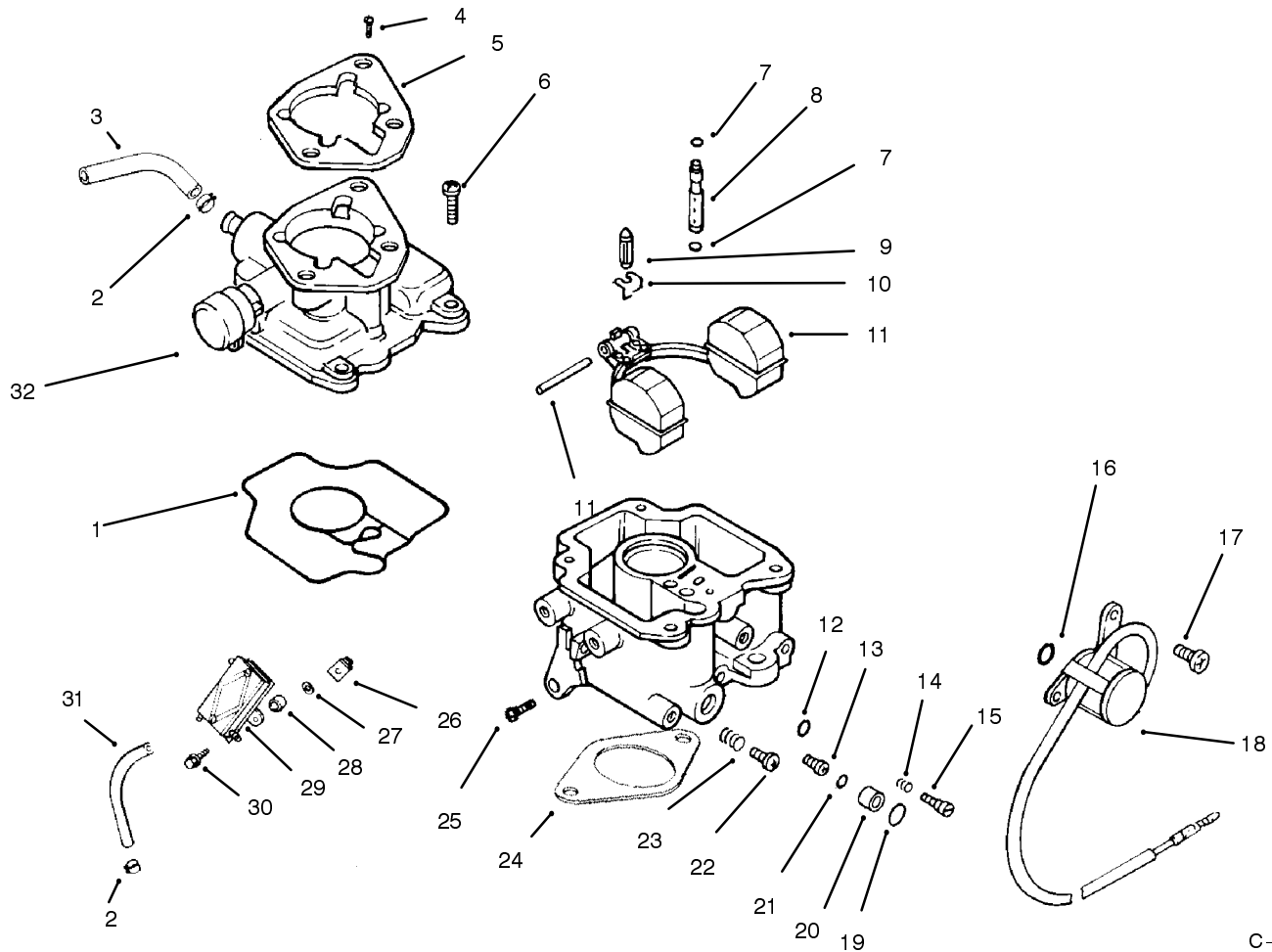
C-1613

## CRANKSHAFT, PISTON AND RINGS

Ref. No.	Part No.	Description	No. Used
1	24 014 32	Crankshaft	1
2	12 139 01	Plug, cup	1
3	24 067 05	Connecting Rod (Std.)	2
*	24 067 06	Connecting Rod (.25)	2
4	24 108 01	Ring Set (Std.)	1
*	24 108 02	Ring Set (.25)	1

Ref. No.	Part No.	Description	No. Used
*	24 108 03	Ring Set (.50)	1
5	24 874 01	Piston w/Ring Set (Std.) (Incl. Ref. # 4-6)	2
*	24 874 02	Piston w/Ring Set (.25)	2
*	24 874 03	Piston w/Ring Set (.50)	2
6	24 018 01	Retainer - Piston Pin	4

\*Not Illustrated



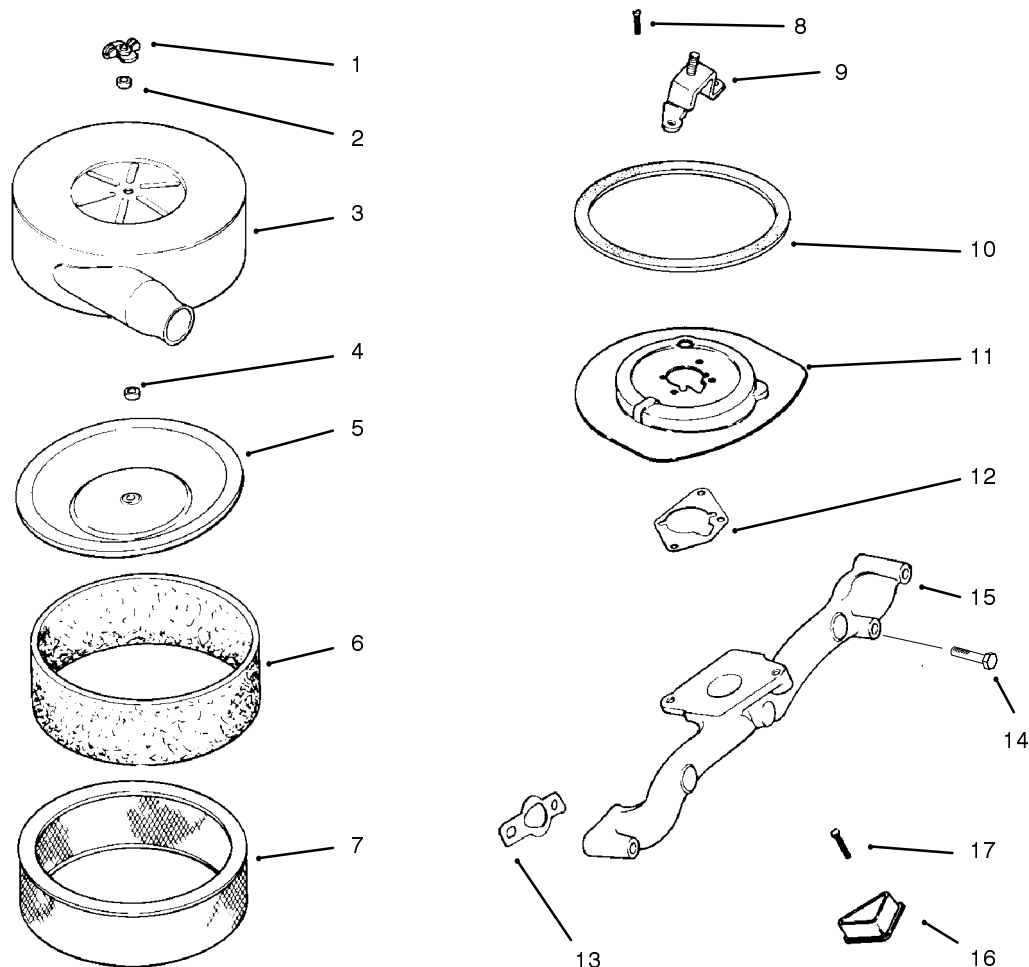
C-2348

## CARBURETOR AND FUEL PUMP

Ref. No.	Part No.	Description	No. Used
1	24 041 09	Gasket - Carburetor Body	1
*	24 853 02	Kit - Carburetor w/Gasket (Incl. Ref. #1-15, 19-23 & 29)	1
2	X-426-9	Clamp - Hose	4
3	25 353 10	Line - Fuel 9"	1
4	M-0651030	Screw	2
5	24 041 06	Gasket - Air Cleaner	1
6	24 086 09	Screw	4
7	24 153 02	"O"Ring	2
8	24 337 01	Jet - Slow	1
9	24 462 01	Valve - Inlet Needle	1
10	24 154 01	Clip - Inlet Needle Valve	1
11	24 757 02	Kit - Float Repair	1
12	24 153 03	"O"Ring	1
13	24 337 02	Jet - Main	1
14	24 089 11	Spring - Idle Adjust	1
15	24 368 01	Needle - Idle Adjust	1
16	24 153 04	"O"Ring	1
17	24 086 07	Screw	2
18	24 435 01	Solenoid	1
19	24 153 05	"O"Ring	1
20	24 521 01	Seat - Solenoid	1

Ref. No.	Part No.	Description	No. Used
21	24 153 06	"O"Ring	1
22	24 086 10	Screw - Idle Speed Adjust	1
23	24 089 10	Spring - Idle Speed Adjust	1
24	24 041 17	Gasket - Carburetor	1
25	24 086 05	Screw - Throttle Stop	1
26	24 100 01	Nut	2
27	X-25-52	Washer	2
28	52 112 13	Spacer	2
29	24 393 04	Pump - Fuel, Pulse	1
30	24 086 31	Screw	2
31	24 353 02	Line - Fuel 15-1/2"	1
32	24 757 07	Kit - Choke Repair (Incl. Ref. # 33)	1
*33	24 173 02	Cap - Choke Lever	1
*		Carburetor Assembly (Incl. Ref. # 1-25 & 32)	1
*	24 041 17	Gasket - Carburetor	1
*	24 757 03	Kit - Carburetor Repair	1
*	24 757 01	Kit - Solenoid Assembly	1
*	24 755 01	Kit - High Altitude (1500 meters)	1
*	24 755 02	Kit - High Altitude (3000 meters)	1

\*Not Illustrated



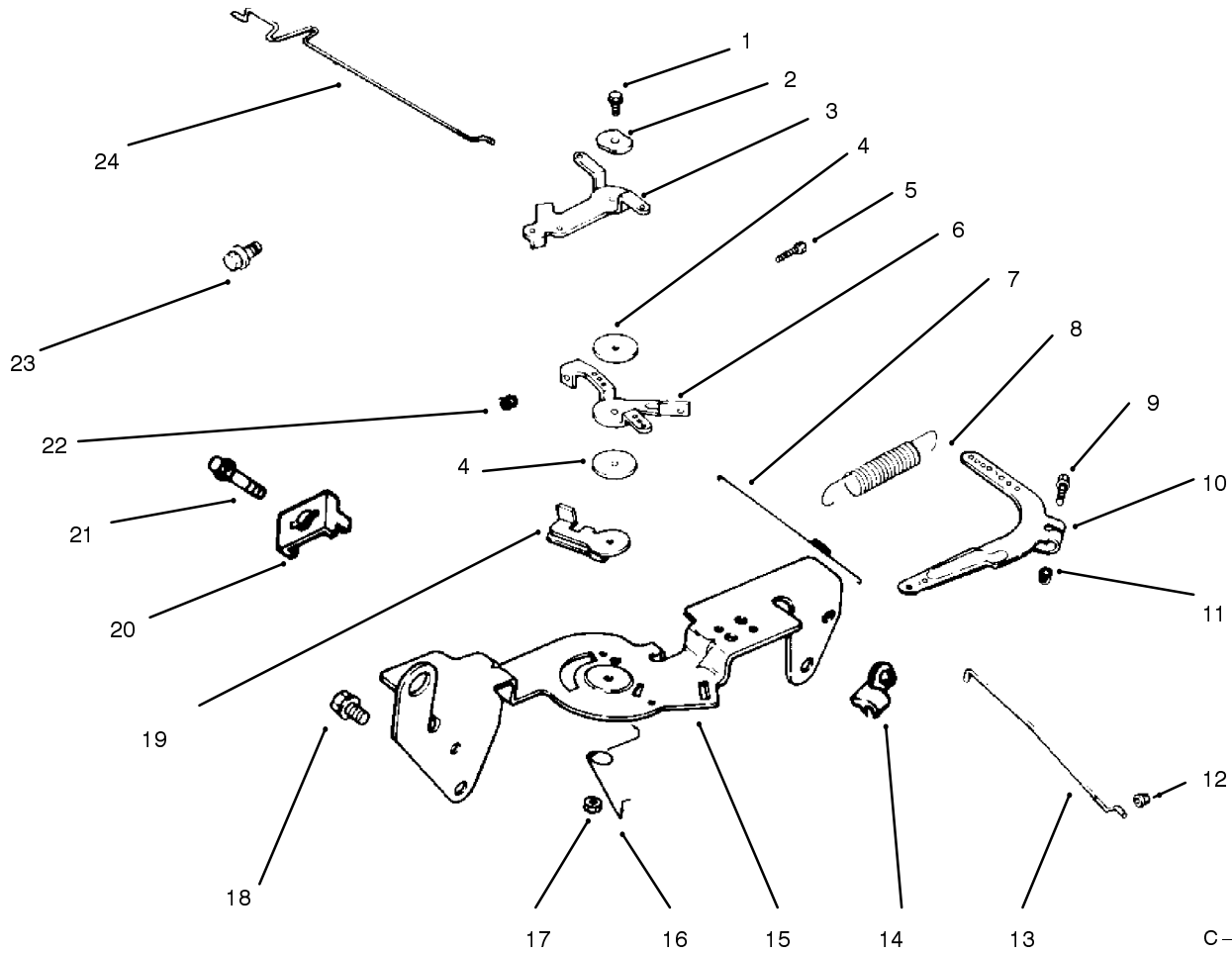
C-2349

## AIR INTAKE/FILTRATION

Ref. No.	Part No.	Description	No. Used
1	12 100 01	Nut – Wing	2
2	230046	Seal – Air Filter	1
3	24 096 34	Cover – Air Cleaner	1
4	231032	Seal – Breather	1
5	24 096 01	Cover – Inner Air Cleaner	1
6	24 083 02	Element – Precleaner	1
7	47 083 03	Element – Air Cleaner	1
8	M-0639016	Screw	3
9	24 126 22	Bracket – Air Cleaner	1

Ref. No.	Part No.	Description	No. Used
10	24 032 07	Seal – Air Cleaner	1
11	24 094 05	Base – Air Cleaner	1
12	24 041 06	Gasket – Air Cleaner	1
13	24 041 01	Gasket – Intake Manifold	2
14	M-0639055	Screw	4
15	24 164 14	Manifold	1
16	24 096 17	Cover – Blower Housing	2
17	15 086 09	Screw	2
*	24 113 17	Decal – Maintenance	1

\*Not Illustrated



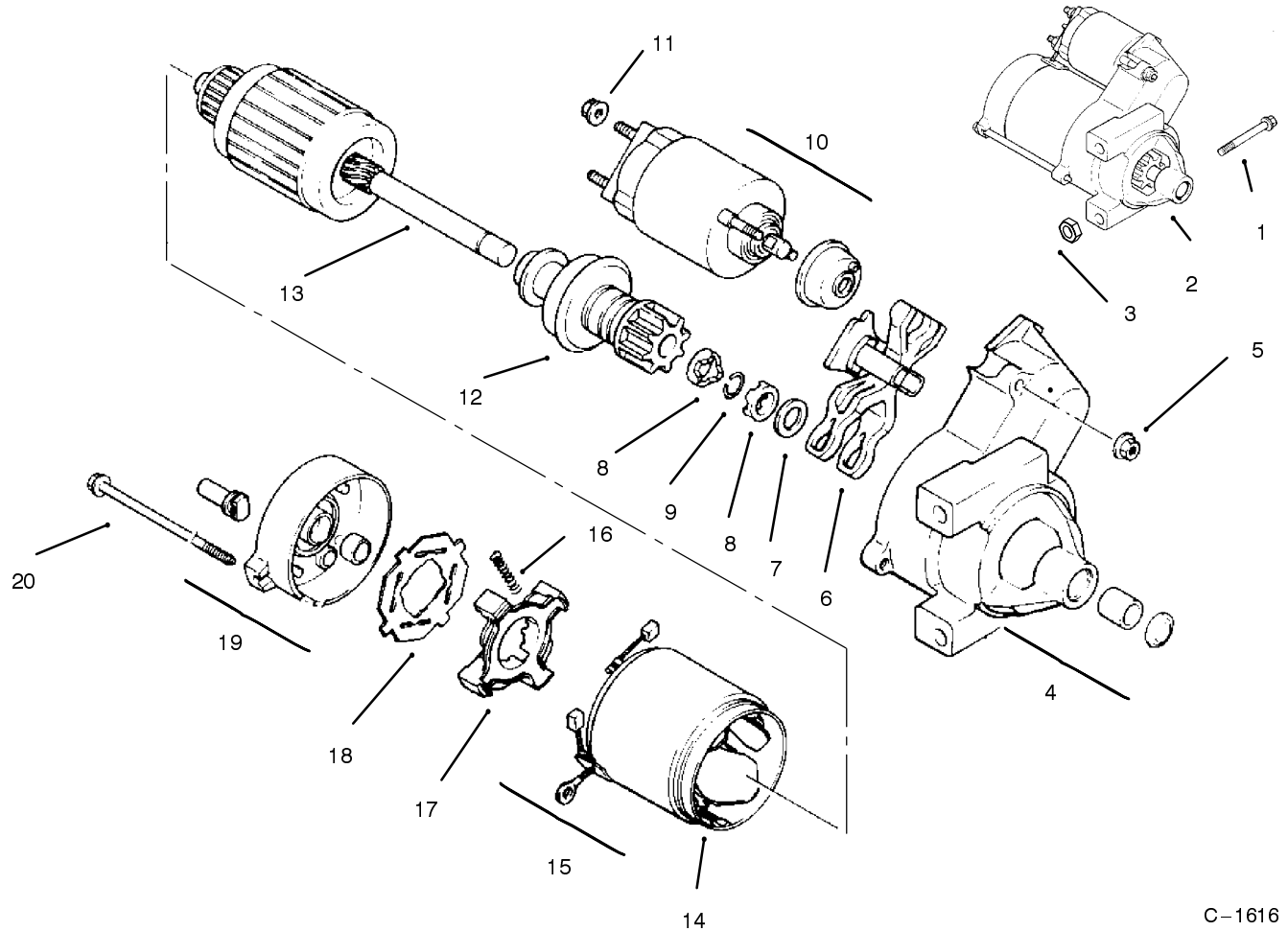
C-1615

## THROTTLE LINKAGE AND GOVERNOR CONTROLS

Ref. No.	Part No.	Description	No. Used
1	SM-0545020	Screw	1
2	41 468 03	Washer - Wave	1
3	24 090 05	Lever - Choke	1
4	24 468 01	Washer	3
5	M-0401025	Screw	1
6	24 090 03	Lever - Throttle Control	1
7	24 089 01	Spring - Linkage	1
8	24 089 18	Spring - Governor	1
9	SM-0642025	Screw	1
10	24 090 14	Lever - Governor	1
11	SM-0641060	Nut	1
12	25 158 08	Bushing - Linkage	1

Ref. No.	Part No.	Description	No. Used
13	24 079 01	Linkage - Throttle	1
14	25 158 11	Bushing - Linkage	1
15	24 126 13	Bracket - Control	1
16	24 089 03	Spring - Choke Return	1
17	M-0547050	Nut	1
18	SM-0645016	Screw	4
19	24 090 07	Lever - Throttle Actuator	1
20	12 237 01	Clamp - Cable	2
21	SM-0545016	Screw	2
22	M-0446030	Nut	1
23	SM-0545016	Screw	1
24	24 079 02	Linkage - Choke	1

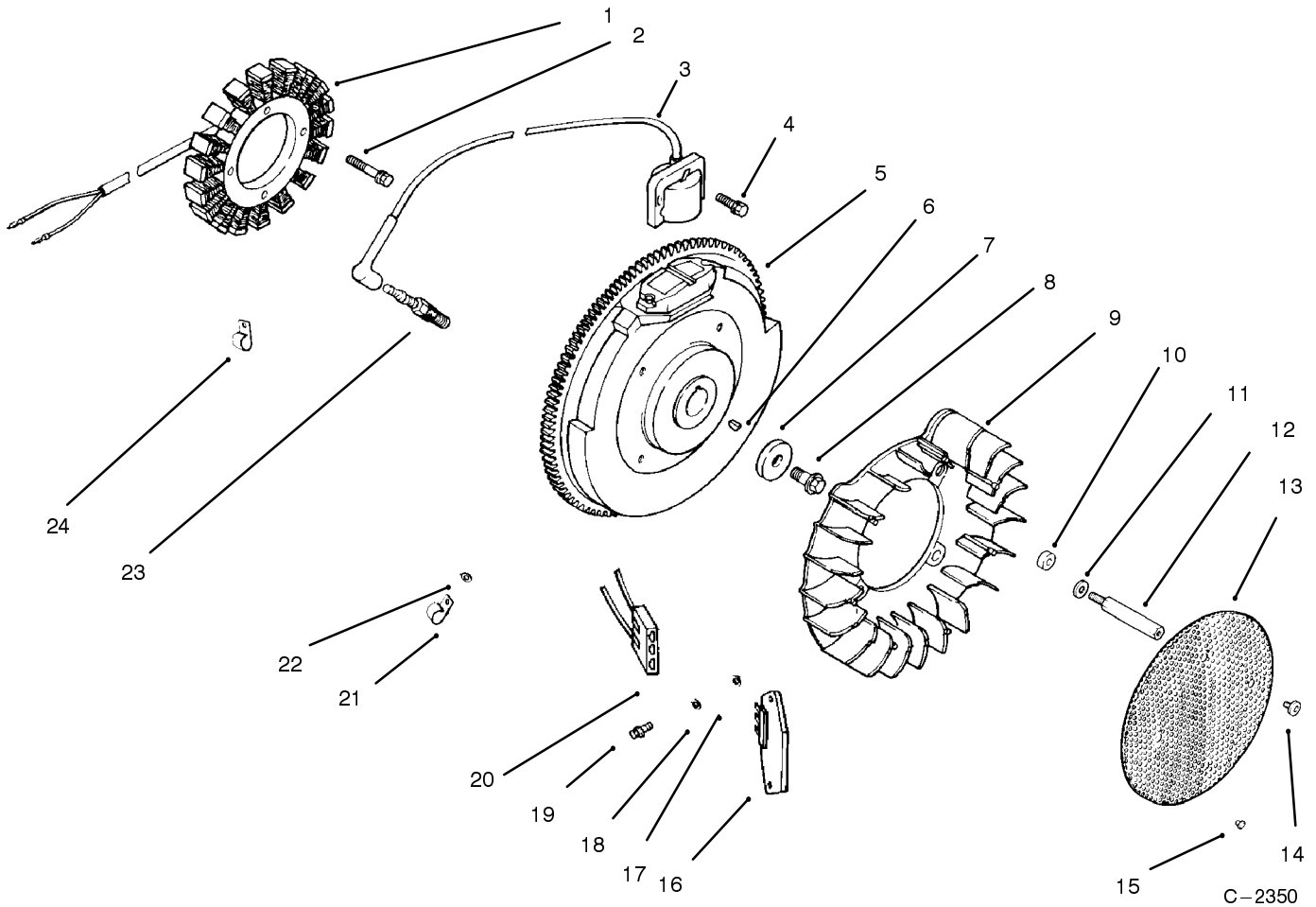
\*Not Illustrated



C-1616

## STARTER

Ref. No.	Part No.	Description	No. Used	Ref. No.	Part No.	Description	No. Used
1	SM-0839080	Screw	2	11	52 100 09	Nut	1
2	24 098 01	Starter - Solenoid Shift (Incl. Ref. # 4-20)	1	12	12 239 01	Drive - Pinion	1
3	M-0841080	Nut	1	13	12 170 03	Armature - Starter	1
4	24 081 04	Cap - Drive End	1	14	12 471 01	Frame	1
5	52 100 10	Nut - Starter	2	15	52 221 01	Kit - Brush (Incl. Ref. # 16)	1
6	12 090 10	Lever - Starter Drive	1	16	52 089 09	Spring - Brush	4
7	52 468 14	Washer - Thrust	1	17	52 323 03	Holder - Brush	1
8	52 100 08	Nut - Stop Collar	2	18	52 168 01	Insulator	1
9	52 141 03	Ring - Retainer	1	19	12 301 01	Cap - Commutator End	1
10	52 435 02	Solenoid	1	20	52 211 05	Bolt	2

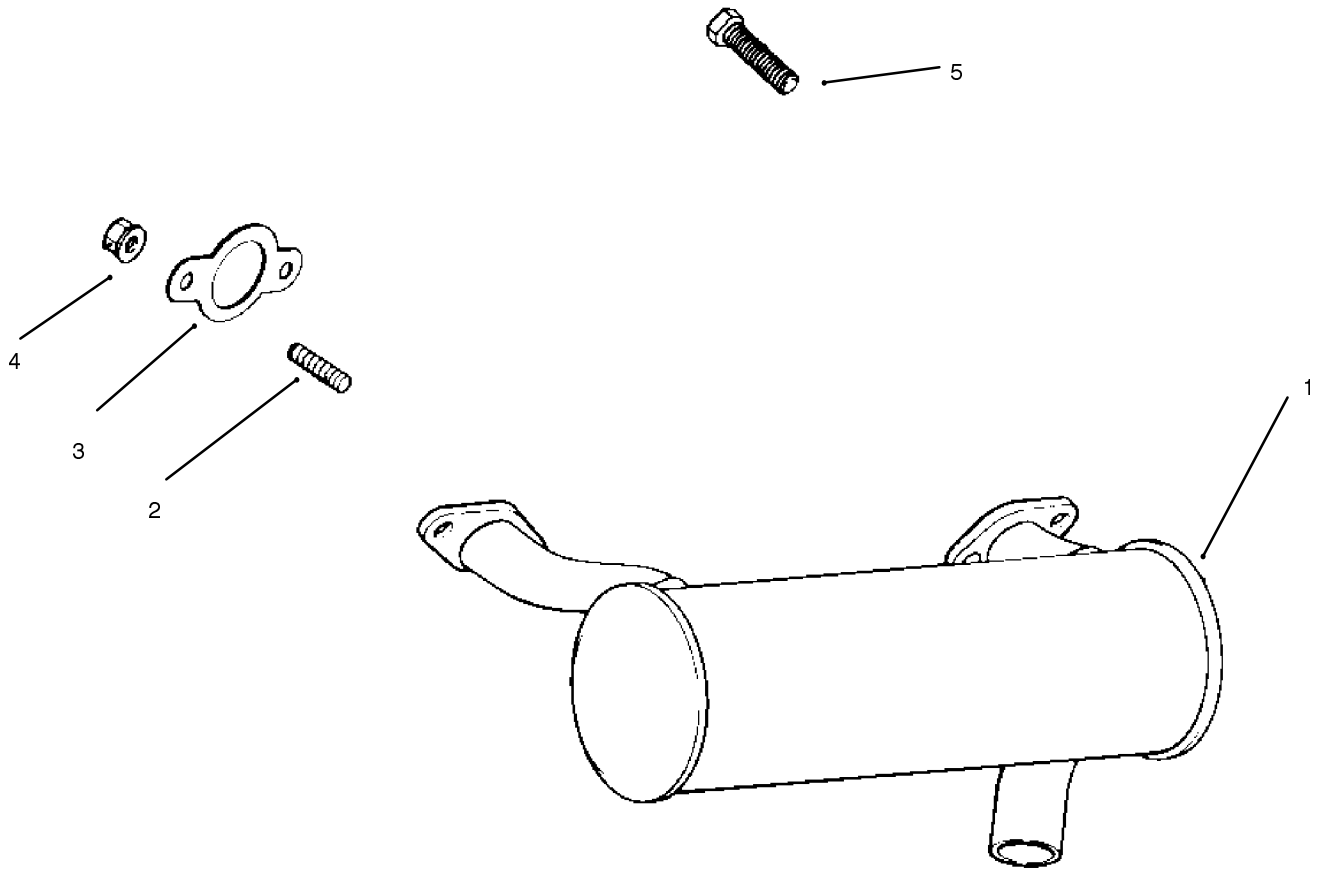


## IGNITION AND CHARGING SYSTEM

Ref. No.	Part No.	Description	No. Used
1	24 085 01	Stator – 15 amp	1
2	M-0548025	Screw	2
3	24 584 01	Module – Ignition	2
4	SM-0545020	Screw	4
5	24 025 01	Flywheel Assembly	1
6	X-42-15	Key	1
7	12 468 03	Washer	1
8	12 086 14	Screw	1
9	24 157 01	Fan	1
10	12 112 01	Spacer – Fan	4
11	X-25-53	Washer	4
12	24 072 01	Stud – Grass Screen	4
13	24 162 13	Screen – Grass	1

Ref. No.	Part No.	Description	No. Used
14	M-0657010	Screw	4
15	25 086 43	Screw – Set	1
16	25 403 03	Regulator – Rectifier	1
17	X-25-63	Washer	1
18	X-25-92	Washer	2
19	24 086 18	Screw	2
20	236602	Connector	1
21	235173	Clip – Cable	1
22	X-25-63	Washer	1
23	12 132 02	Spark Plug	2
24	48 154 02	Clip – Cable	1
*	24 176 40	Harness – Wiring	1
*	24 518 04	Lead – Green,18 Gauge	1

\*Not Illustrated



C-1618

## EXHAUST

Ref. No.	Part No.	Description	No. Used
1	24 068 11	Muffler	1
2	M-0829033	Stud - Muffler	4
3	24 041 02	Gasket - Exhaust	2

Ref. No.	Part No.	Description	No. Used
4	M-0841080	Nut	4
5	M-0839020	Screw	1





## PRODUCT CHANGES

In an effort to make improvements available to TORO owners as quickly as possible, minor changes are incorporated into Toro's products from time to time that do not become immediately shown in the Parts Catalog. If such a change has been made in your unit, which is not reflected in your manual, see your TORO Distributor or his Authorized TORO Service Dealer for information and part numbers.

## IDENTIFICATION AND ORDERING

### MODEL AND SERIAL NUMBERS

The ProLine 120 has two identification numbers; a model number and a serial number. The two numbers are stamped on a plate which is located on the main frame under the seat. In any correspondence concerning the ProLine 120, supply model and serial numbers to assure that correct information and replacement parts are obtained.

To order replacement parts from an Authorized TORO Service Dealer, supply the following information:

1. Model and serial number of the ProLine 120.
2. Part number, description, and the quantity of part(s) desired.

**NOTE:** Do not order by reference number if a parts catalog is being used; use the PART NUMBER.

# TABLE OF CONTENTS

Description	Page	Description	Page
Frame And Steering Assembly .....	1-2	Hydrostatic Transmission Assembly .....	19-20
Rear Axle Assembly .....	3	Engine Kohler Model CH20QS Spec 64556	
Front Wheel Assembly .....	4	Baffles & Shroud .....	21
Frame And Jackshaft Assembly .....	5-6	Oil Pan/Lubrication .....	22
Seat Support Assembly .....	7	Crankcase .....	23
Seat Assembly .....	8	Cylinder Head, Valve & Breather .....	24
Valve Assembly No.54-0090 .....	19	Crankshaft, Piston & Rings .....	25
Parking Brake & Frame Assembly .....	10	Carburetor And Fuel Pump .....	26
Hydraulic Lift Cylinder No. 54-0150 .....	11	Air Intake / Filtration .....	27
Hood, Fuel Tank & Hydraulic Reservoir Assembly	12	Throttle Linkage & Governor Control .....	28
Engine Assembly .....	13	Starter .....	29
Clutch Assembly No. 54-0220 .....	14	Ignition And Charging System .....	30
Electric Schematic .....	15	Exhaust .....	31
Hydraulic Schematic .....	16	Differential Assembly .....	32-33
Differential Assembly .....	17	Numeric Index, Toro P/N Only .....	34-37
Transmission Assembly .....	18		

## Optional Equipment

Description	Model No./Part No.	Description	Model No./Part No.
Flotation Kit .....	30759	52" Grass Collection System .....	30576
44" Deck Baffle Kit .....	60-9030	44" Recycler Kit .....	59220
52" Deck Baffle Kit .....	68-7210	52" Recycler Kit .....	59225
44" Leaf Mulcher Deck .....	30752	Brake Kit .....	30758
52" Leaf Mulcher Deck .....	30700	Tire Chain Kit .....	56-6630
Wheel Weight Kit .....	56-6620	Arm Rest Kit .....	30707
44" Snowthrower .....	30761	Cab Kit .....	
44" Side Discharge Deck .....	30546		
52" Side Discharge Deck .....	30767	European Complacence Parts Kit .....	93-9450
44" Grass Collection System .....	30751		