



**Count on it.**

**Parts Catalog**

**4-Wheel Drive Kit**

**Workman® HDX-Auto Utility Vehicle**

Model No. 07391



# Ordering Replacement Parts

To order replacement parts, please supply the part number, the quantity, and the description of each part desired.

## Understanding Reference Numbers

Each identified part in an illustration has a reference number. The reference number for a part also appears in the parts list, along with other information about the part.

This catalog uses two special reference number formats, one to indicate parts in a service assembly and another to indicate the quantity of a given part in an illustration.

## Service Assembly Reference Numbers

Parts in service assemblies have reference numbers in the form a:b. The a represents the reference number of the entire service assembly and the b represents a sequential number unique to each part within the service assembly.

For example, a wheel assembly might be identified by reference number 6, the tire by 6:1, the valve by 6:2, and the wheel by 6:3. When you order the assembly identified by reference number 6, you receive all parts identified by reference numbers 6:1, 6:2, and 6:3. However, you may also order any part individually. Reference numbers of this type appear in illustration and in parts lists.

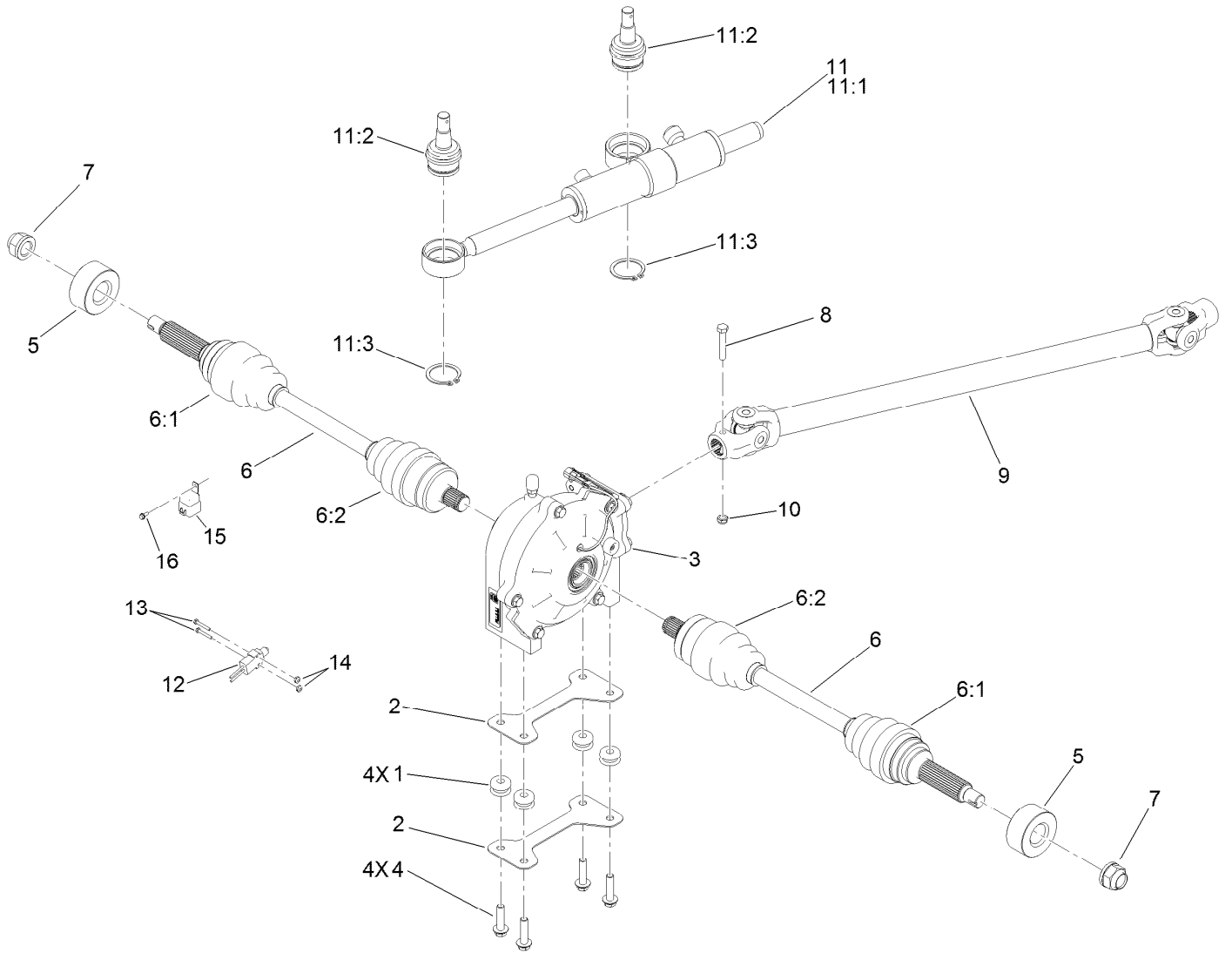
## Reference Numbers Indicating Quantity

In an illustration, if a reference number indicates more than one part, the reference number has the form nX y. The n represents the quantity of the part, the X is the multiplication symbol, and the y represents the reference number.

For example, in an illustration, the reference number 2X 37 means that two of the parts identified by reference number 37 are indicated.

# Contents

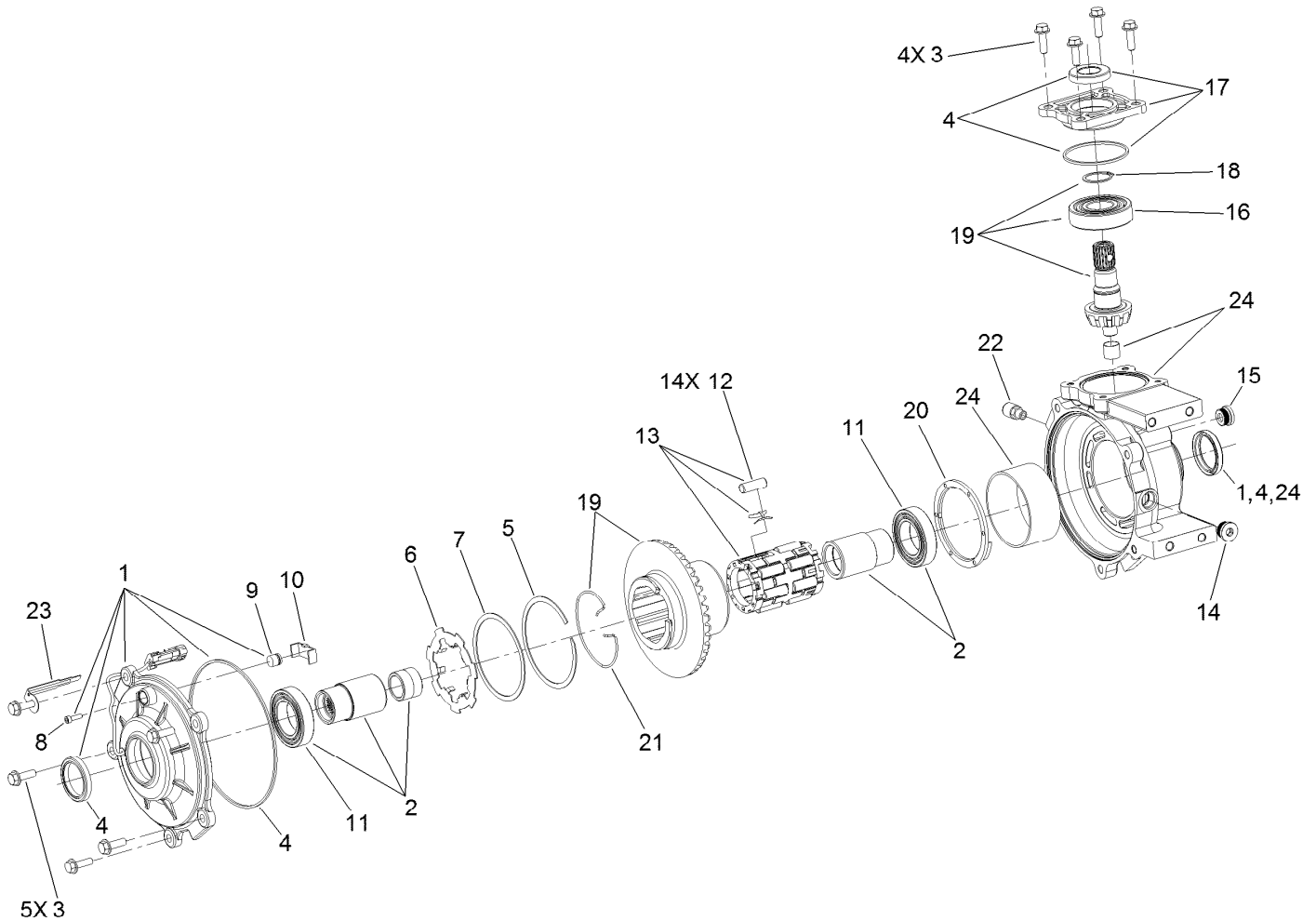
- 4 Wheel Drive Kit Assembly ..... 4
- Front Differential Assembly No. 121-9738 ..... 5
- Front Driveshaft Assembly No. 121-9833 ..... 6
- Hydraulic Cylinder Assembly No. 120-5059 ..... 7



## 4 Wheel Drive Kit Assembly

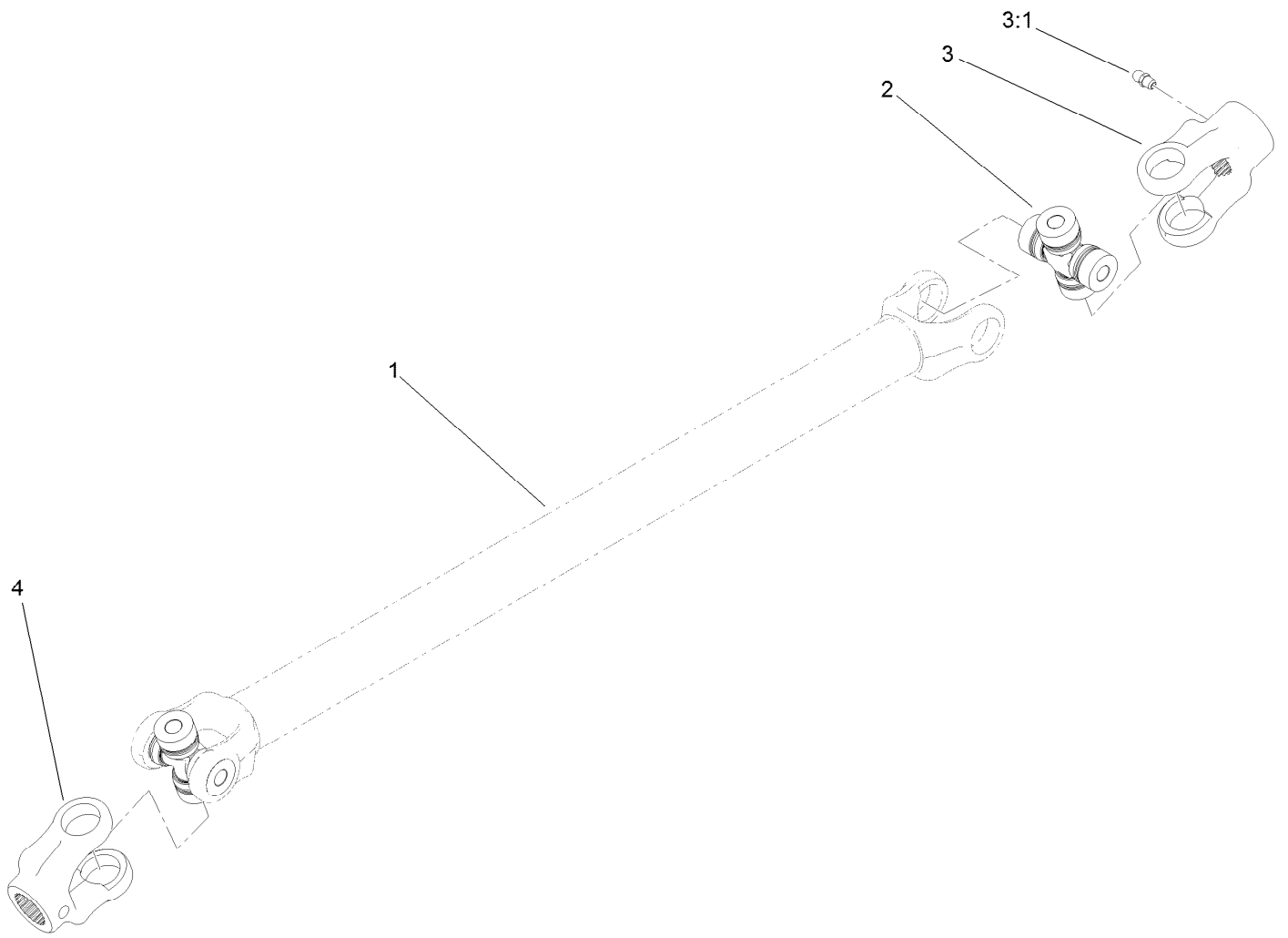
Ref.	Part Number	Qty.	Description	Ref.	Part Number	Qty.	Description
1	63-9750	4	Mount	10	3296-47	1	Nut-Lock, NI
2	121-9749-03	2	Plate-Differential	11		1	Cylinder ASM W/Joints ●
3	121-9738	1	Differential-Front	11:1	120-5059	1	HYD Cylinder ASM
4	3234-18	4	Screw-HHF	11:2	106-6774	2	Joint-Ball
5	115-2254	2	Spacer-Axle	11:3	32151-104	2	Ring-Retaining, External
6	115-2172	2	Cv Axle ASM	12	95-8900	1	Switch
6:1	107-2891	1	Outboard Boot Kit	13	32105-9	2	Screw
6:2	107-2892	1	Inboard Boot Kit	14	3296-9	2	Nut-Hex
7	115-2164	2	Nut-Spindle	15	99-7430	1	Relay-Mini
8	322-21	1	Screw-HH	16	32144-10	1	Screw-HWH
9	121-9833	1	Front Driveshaft ASM				

● Not serviced separately



## Front Differential Assembly No. 121-9738

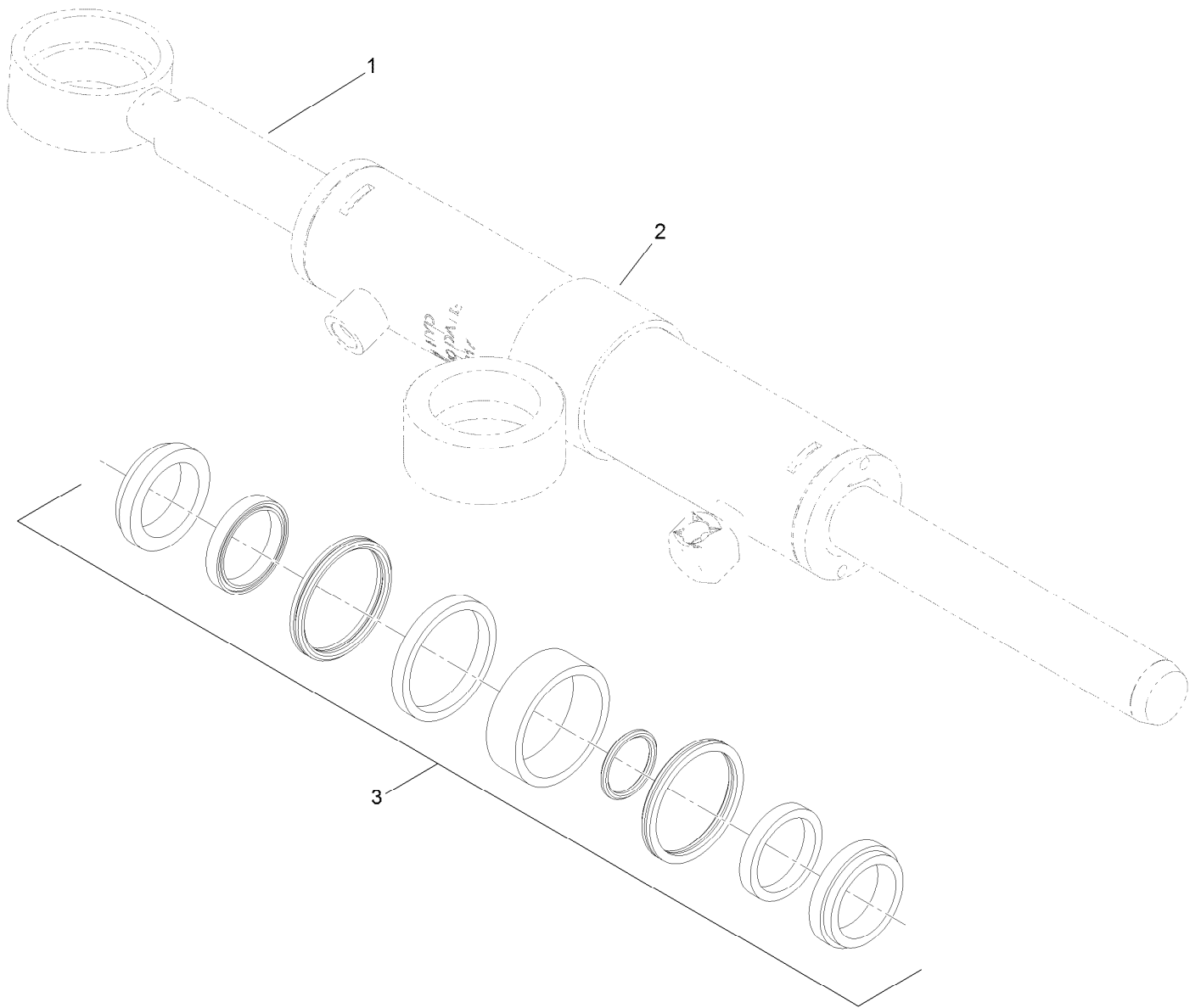
<i>Ref.</i>	<i>Part Number</i>	<i>Qty.</i>	<i>Description</i>	<i>Ref.</i>	<i>Part Number</i>	<i>Qty.</i>	<i>Description</i>
1	127-8641	1	Output Cover ASM	13	127-8647	1	Roll Cage ASM
2	127-8642	1	Output Hub ASM	14	115-7804	1	Drain Plug ASM
3	127-8643	1	Bolt Kit	15	115-7805	1	Plug-Oil, Fill
4	127-8644	1	Minor Repair Kit	16	127-8705	1	Bearing-Ball, Deep Groove
5	115-7795	1	Ring-Retaining, Internal	17	115-7807	1	Input Cover ASM
6	115-7796	1	Plate-Armature, Notched	18	127-8648	1	Ring-Retaining
7	115-7797	1	Shim	19	127-8649	1	Gear Kit
8	127-8645	1	Screw-Set	20	127-8700	1	Shim-Gear
9	115-7799	1	Thrust Button ASM	21	127-8701	1	Spring-Torsion, Return
10	115-7800	1	Plate-Thrust	22	117-4985	1	Vent-Protected
11	127-8704	2	Bearing-Ball, Deep Groove	23	127-8702	1	Bracket-Plug, Electrical
12	127-8646	1	Roll Kit	24	127-8703	1	Gearcase ASM



## Front Driveshaft Assembly No. 121-9833

<i>Ref.</i>	<i>Part Number</i>	<i>Qty.</i>	<i>Description</i>
1		1	Shaft-Drive, Front ●
2	121-9882	2	U-Joint
3	121-9881	1	Yoke-Slip
3:1	106-1104	1	Fitting-Grease
4	121-9883	1	Yoke-Connect

● Not serviced separately



## Hydraulic Cylinder Assembly No. 120-5059

<i>Ref.</i>	<i>Part Number</i>	<i>Qty.</i>	<i>Description</i>
1		1	Rod-Cylinder ●
2		1	Body-Cylinder ●
3	115-2160	1	Cylinder Repair Kit

● Not serviced separately



**Count on it.**