



44" Two Stage Snowthrower

5xi Garden Tractor

Model No. 79366-21000001 and Up

Parts Catalog

Ordering Replacement Parts

To order replacement parts, please supply: the part number, the quantity, and the description of each part desired.

Understanding Reference Numbers

Each identified part in an illustration has a reference number. The reference number for a part also appears in the parts list, along with other information about the part.

This catalog uses two special reference number formats, one to indicate parts in a service assembly and another to indicate the quantity of a given part in an illustration.

Service Assembly Reference Numbers

Parts in service assemblies have reference numbers in the form **a:b**. The **a** represents the reference number of the entire service assembly and the **b** represents a sequential number unique to each part within the service assembly.

For example, a wheel assembly might be identified by reference number **6**, the tire by **6:1**, the valve by **6:2**, and the wheel by **6:3**. When you order the assembly identified by reference number **6**, you receive all parts identified by reference numbers **6:1**, **6:2**, and **6:3**. However, you may also order any part individually.

Reference numbers of this type appear in illustrations and in part lists.

Reference Numbers Indicating Quantity

In an illustration, if a reference number indicates more than one part, the reference number has the form **nX y**. The **n** represents the quantity of the part, the **X** is the multiplication symbol, and the **y** represents the reference number.

For example, in an illustration, the reference number **2X 37** means that two of the parts identified by reference number **37** are indicated.

Contents

| Description | Page | Description | Page |
|--------------------------------|------|-------------------------|------|
| Discharge Chute Assembly | 3 | Crank Assembly | 7 |
| Jack Shaft Assembly | 4 | Mounting Assembly | 8 |
| Worm Gear Assembly | 5 | Maintenance | 9–11 |
| Pulley Box Assembly | 6 | | |

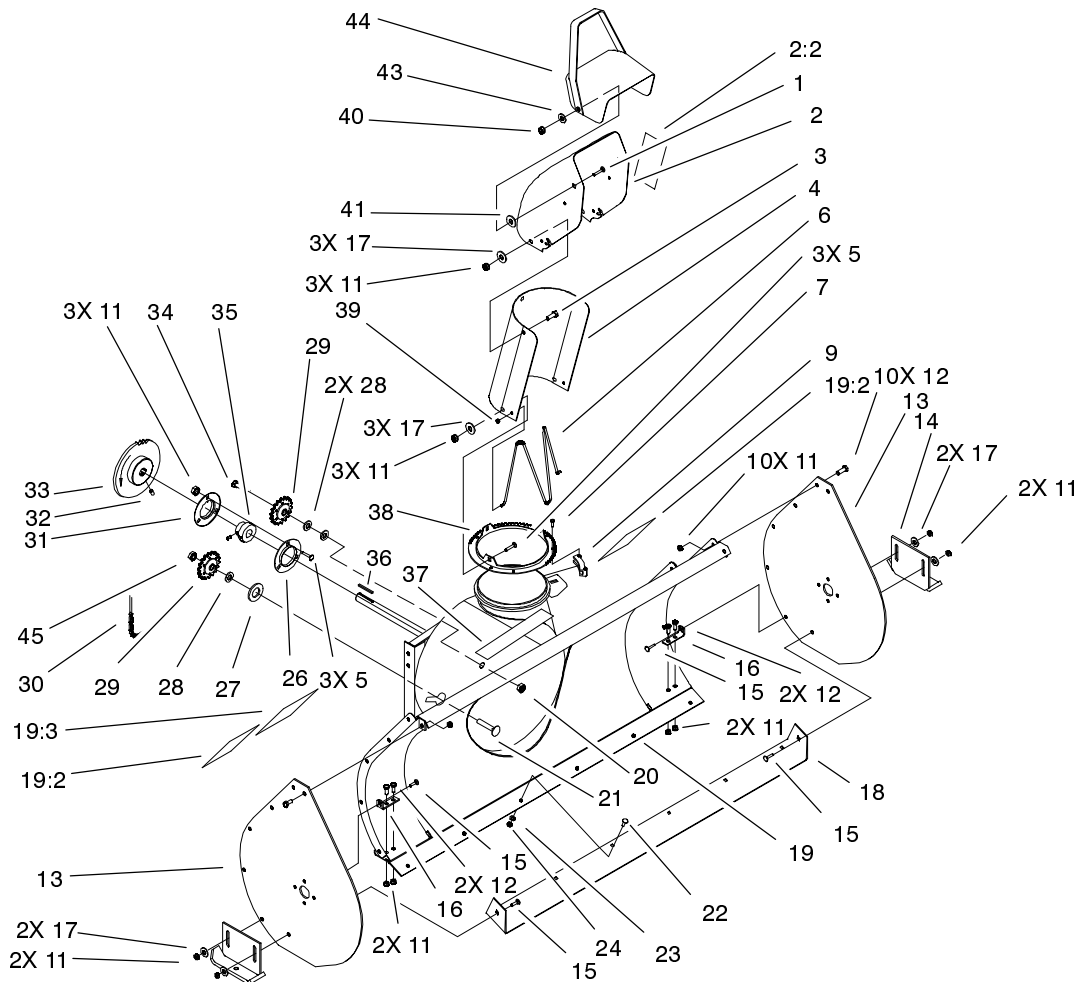
Accessories

| Description | Model / Part No. | Description | Model / Part No. |
|-------------|------------------|-------------|------------------|
|-------------|------------------|-------------|------------------|

Part Description Abbreviations

Part descriptions in this catalog may include the following abbreviations.

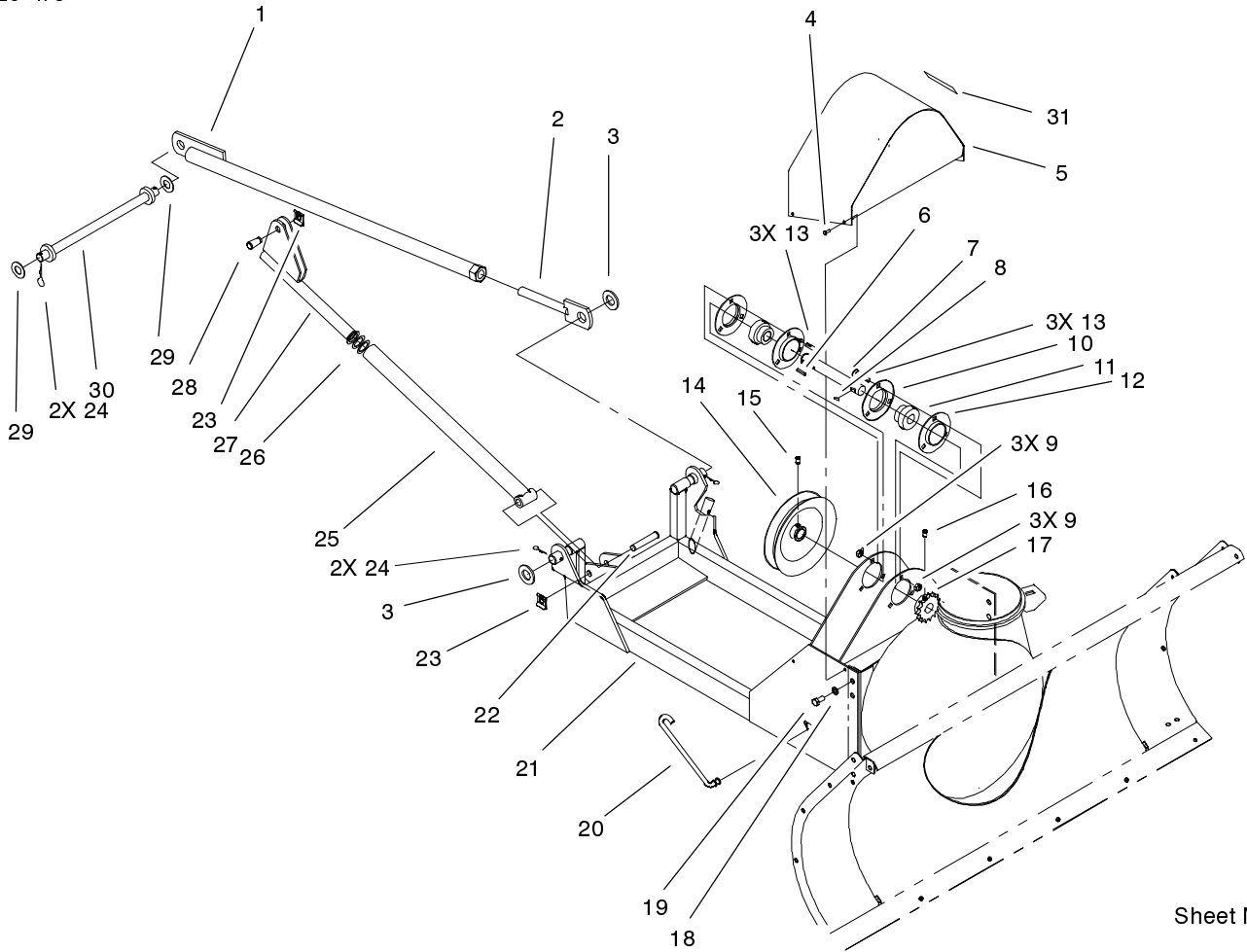
| Abbreviation | Meaning | Abbreviation | Meaning |
|--------------|-----------------------------------|--------------|-------------------------|
| AR | as required | HYD | hydraulic |
| ASM | assembly | INC | incorporated |
| CARR | carriage | LH | left hand |
| DEG | degrees | NI | nylon insert |
| FH | flat head | PPH | Phillips pan head |
| GA | gauge | PTH | Phillips truss head |
| HF | hex flange | PTO | power take off |
| HH | hex head | RH | right hand |
| HHF | hex head flange | SFH | slotted fillister head |
| HLH | hex lag head | SHH | slotted hex head |
| HJ | hex jam | SQH | square head |
| HOC | height-of-cut | SHWH | slotted hex washer head |
| HS | hex socket | SPH | slotted pan head |
| HSBH | hex socket button head | SRH | slotted round head |
| HSFH | hex socket flat head | STD | standard |
| HSH | hex socket head | TAP | self tapping |
| HWH | hex washer head | TTH | Torx truss head |
| HWHTF | hex washer head thread forming | WH | wing head |



Sheet No.:2

Discharge Chute Assembly

| Ref. No. | Part No. | Qty. | Description | Ref. No. | Part No. | Qty. | Description |
|----------|------------|------|--------------------------|----------|------------|------|--------------------|
| 1 | 3231-2 | 2 | Screw-CARR | 24 | 3296-42 | 6 | Nut-Lock NI |
| 2 | 94-1832 | 1 | Chute | 26 | 110568 | 1 | Flange |
| 2:2 | 94-8079 | 1 | Decal-Danger | 27 | 3256-28 | 1 | Washer-Flat |
| 3 | 322-2 | 3 | Screw-HH | 28 | 3256-26 | 3 | Washer-Flat |
| 4 | 26-1110-01 | 1 | Extender-Chute, Upper | 29 | 93-1614 | 2 | Idler Sprocket |
| 5 | 3230-1 | 6 | Screw-CARR | 30 | 98-3098 | 1 | Chain-Drive |
| 6 | 12-2040 | 1 | Wire-Chute | 31 | 119020 | 1 | Flange-Relube Zerk |
| 7 | 27-0220 | 6 | Screw-Special | 32 | 909546 | 2 | Screw-SQH Set |
| 9 | 25-5450 | 3 | Retainer-Chute | 33 | 95-3867-03 | 1 | Sprocket-38 Tooth |
| 11 | 3296-29 | 27 | Nut-Lock | 34 | 325-7 | 1 | Screw-HH |
| 12 | 322-3 | 14 | Screw-HH | 35 | 110569 | 1 | Bearing & Collar |
| 13 | 57-3510-01 | 2 | Plate-Side | 36 | 6366 | 1 | Key |
| 14 | 78-0800-01 | 2 | Support-Skid | 37 | 92-8748 | 1 | Decal-Attachment |
| 15 | 3230-2 | 4 | Screw-CARR | 38 | 25-5290-01 | 1 | Ring-Chute, Swivel |
| 16 | 99-2304-01 | 2 | Bracket-Blade Support | 39 | 3290-326 | 2 | Nut-Push |
| 17 | 3256-23 | 10 | Washer-Flat | 40 | 3296-39 | 2 | Nut-Lock, NI |
| 18 | 99-2303-01 | 1 | Blade-Scraper | 41 | 20-4320 | 2 | Washer-Rubber |
| 19 | 100-8027 | 1 | Auger Housing ASM | 43 | 3290-340 | 2 | Washer-Belleville |
| 19:2 | 63-2380 | 2 | Decal-Danger | 44 | 11-7120-01 | 1 | Deflector |
| 19:3 | 92-8652 | 1 | Decal-Warning | 45 | 3296-23 | 1 | Nut-Lock, NI |
| 20 | 3218-5 | 1 | Nut-Jam | | | | |
| 21 | 3233-4 | 1 | Screw-CARR | | | | |
| 22 | 3229-25 | 6 | Screw-CARR | | | | |
| 23 | 3256-22 | 6 | Washer-Flat | | | | |

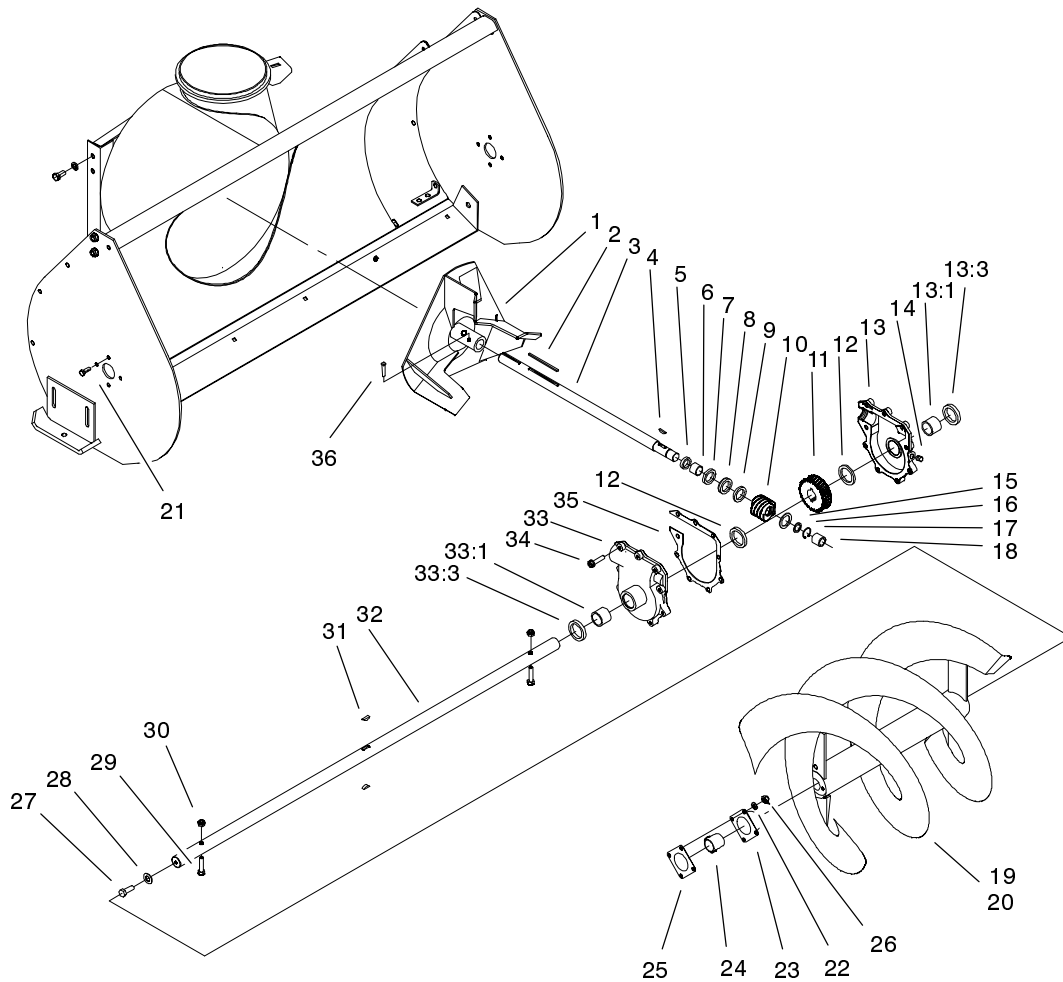


Sheet No.:3

Jack Shaft Assembly

| Ref. No. | Part No. | Qty. | Description |
|----------|-------------|------|---------------------|
| 1 | 95-3999-01 | 2 | Brace ASM |
| 2 | 95-4023-01 | 2 | Adjuster ASM |
| 3 | 3256-29 | 2 | Washer-Flat |
| 4 | 32144-1 | 4 | Screw-Taptite |
| 5 | 95-3859-01 | 1 | Pulley Cover ASM |
| 6 | 6366 | 1 | Key |
| 7 | 95-3836 | 1 | Shaft - Jack |
| 8 | 937221 | 1 | Key-Hi Pro |
| 9 | 3296-29 | 6 | Nut-Lock |
| 10 | 119020 | 2 | Flange-Relube Zerk |
| 11 | 110569 | 2 | Bearing & Collar |
| 12 | 110568 | 2 | Flange |
| 13 | 3230-1 | 6 | Screw-CARR |
| 14 | 94-7841 | 1 | Pulley-Drive |
| 15 | 3242-2 | 2 | Screw-SQH |
| 16 | 3241-5 | 2 | Screw-Set |
| 17 | 117338-03 | 1 | Sprocket-15t |
| 18 | 3253-5 | 6 | Washer-Lock |
| 19 | 323-4 | 6 | Screw-HH |
| 20 | 99-6455 | 1 | Link-Spring Tension |
| 21 | 95-3848-01 | 1 | Frame ASM |
| 22 | 98-1640 | 1 | Pin-Clevis |
| 23 | 95-4064 | 2 | Clip-Pin |
| 24 | 9335064 | 4 | Pin-Hair |
| 25 | 100-5022-01 | 1 | Rod-Lift |
| 26 | 3256-62 | 5 | Washer-Flat |

| Ref. No. | Part No. | Qty. | Description |
|----------|------------|------|-----------------|
| 27 | 94-7671-01 | 1 | Yoke |
| 28 | 98-1639 | 1 | Pin-Clevis |
| 29 | 3256-28 | 2 | Washer-Flat |
| 30 | 95-3993-01 | 1 | Link ASM |
| 31 | 98-8705 | 1 | Decal-Important |

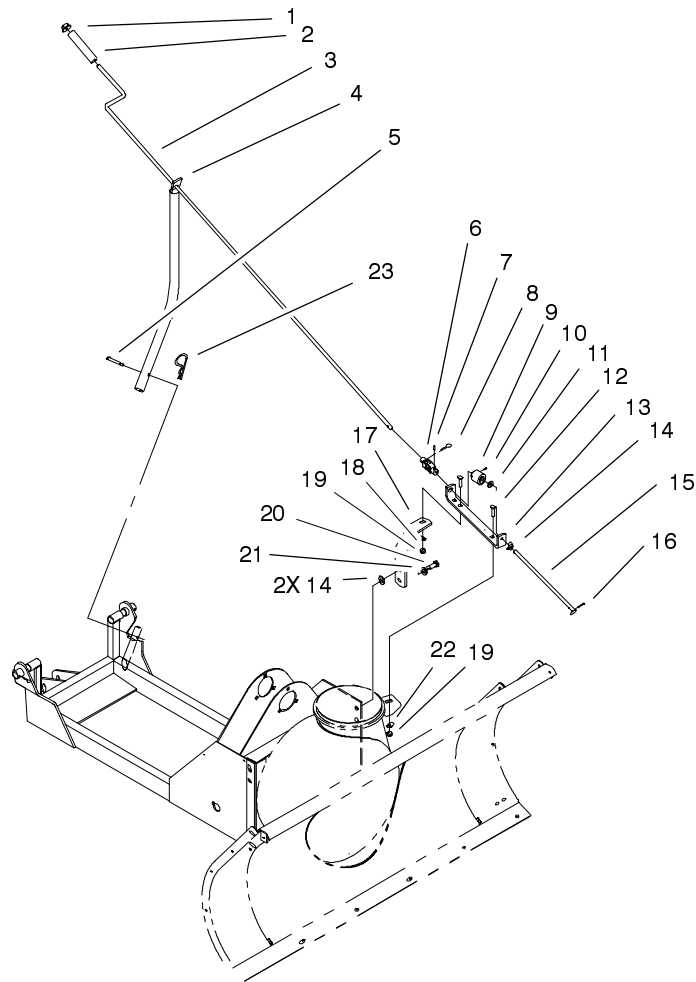


Sheet No.:4

Worm Gear Assembly

| Ref. No. | Part No. | Qty. | Description | Ref. No. | Part No. | Qty. | Description |
|----------|------------|------|-----------------------------|----------|----------|------|-----------------------------|
| 1 | 19-8890-01 | 1 | Impeller | 24 | 20-0980 | 2 | Bearing |
| 2 | 6-8590 | 1 | Key | 25 | 20-1000 | 2 | Bearing-Flange, Rear |
| 3 | 19-8540 | 1 | Shaft-Impeller | 26 | 3296-42 | 8 | Nut-Lock NI |
| 4 | 3257-23 | 1 | Key-Woodruff | 27 | 3235-22 | 2 | Screw-HH |
| 5 | 237-87 | 1 | Ring-Quad | 28 | 2844 | 2 | Washer |
| 6 | 20-3210 | 1 | Bushing-Special | 29 | 322-14 | 2 | Screw-HH |
| 7 | 252-78 | 1 | Bearing-Thrust | 30 | 3296-29 | 2 | Nut-Lock |
| 8 | 252-76 | 1 | Bearing-Thrust | 31 | 3257-33 | 2 | Key-Woodruff |
| 9 | 252-77 | 1 | Thrust-Washer | 32 | 57-3500 | 1 | Shaft-Auger |
| 10 | 5-7170 | 1 | Gear | 33 | 37-8850 | 1 | RH Gear Case/Bushing ASM |
| 11 | 5-7180 | 1 | Gear-Worm 21t | 33:1 | 256-237 | 1 | Bushing |
| 12 | 252-71 | 2 | Bearing-Thrust | 33:3 | 7-0045 | 1 | Seal-Oil |
| 13 | 37-8860 | 1 | LH Gear Case/Bushing ASM | 34 | 32144-41 | 8 | Screw-Taptite |
| 13:1 | 256-237 | 1 | Bushing | 35 | 92-9839 | 1 | Gasket-Gear Box |
| 13:3 | 7-0045 | 1 | Seal-Oil | 36 | 3242-6 | 2 | Screw-Set, SQH |
| 14 | 281-1 | 1 | Plug-Pipe, SQH | | | | |
| 15 | 3-8664 | 1 | Washer-Thrust | | | | |
| 16 | 5210 | 1 | Washer-Shim | | | | |
| 17 | 32120-72 | 1 | Ring-Snap | | | | |
| 18 | 256-32 | 1 | Bushing | | | | |
| 19 | 57-3300-01 | 1 | Auger, RH | | | | |
| *20 | 57-3370-01 | 1 | Auger, LH | | | | |
| 21 | 321-4 | 8 | Screw-HH | | | | |
| 22 | 3256-22 | 8 | Washer-Flat | | | | |
| 23 | 20-0990 | 2 | Bearing-Flange, Front | | | | |

* Not illustrated



Sheet No.:6

Crank Assembly

| Ref. No. | Part No. | Qty. | Description | Ref. No. | Part No. | Qty. | Description |
|----------|------------|------|----------------------|----------|----------|------|-------------|
| 1 | 99-6885 | 1 | Nut-Push | | | | |
| 2 | 40-8230 | 1 | Grip-Chute Control | | | | |
| 3 | 98-3090 | 1 | Rod | | | | |
| 4 | 95-3864-01 | 1 | Tube-Crank Support | | | | |
| 5 | 283-66 | 1 | Pin-Clevis | | | | |
| 6 | 94-2686 | 1 | Joint-Universal | | | | |
| 7 | 32121-47 | 1 | Pin-Spring | | | | |
| 8 | 9335054 | 1 | Pin-Hair | | | | |
| 9 | 8-8600 | 1 | Gear-Worm, Chute | | | | |
| 10 | 32121-50 | 1 | Pin-Spring | | | | |
| 11 | 3290-212 | 1 | Washer-Spring | | | | |
| 12 | 3230-2 | 2 | Screw-CARR | | | | |
| 13 | 98-3089-01 | 1 | Bracket-Gear | | | | |
| 14 | 3256-24 | 3 | Washer-Flat | | | | |
| 15 | 92-7046 | 1 | Rod | | | | |
| 16 | 3272-10 | 1 | Pin-Cotter | | | | |
| 17 | 98-3094-01 | 1 | Crank Support, Lower | | | | |
| 18 | 3256-23 | 1 | Washer-Flat | | | | |
| 19 | 3296-29 | 2 | Nut-Lock | | | | |
| 20 | 323-6 | 2 | Screw-HH | | | | |
| 21 | 3253-21 | 2 | Washer-Lock | | | | |
| 22 | 3290-238 | 1 | Washer-Lock | | | | |
| 23 | 9335044 | 1 | Pin-Hair | | | | |

