



Recycler[®]
Walk Power Lawn Mower
 Model No. 20010—210000001 and Up

Parts Catalog

Ordering Replacement Parts

To order replacement parts, please supply: the part number, the quantity, and the description of each part desired.

Understanding Reference Numbers

Each identified part in an illustration has a reference number. The reference number for a part also appears in the parts list, along with other information about the part.

This catalog uses two special reference number formats, one to indicate parts in a service assembly and another to indicate the quantity of a given part in an illustration.

Service Assembly Reference Numbers

Parts in service assemblies have reference numbers in the form **a:b**. The **a** represents the reference number of the entire service assembly and the **b** represents a sequential number unique to each part within the service assembly.

For example, a wheel assembly might be identified by reference number **6**, the tire by **6:1**, the valve by **6:2**, and the wheel by **6:3**. When you order the assembly identified by reference number **6**, you receive all parts identified by reference numbers **6:1**, **6:2**, and **6:3**. However, you may also order any part individually.

Reference numbers of this type appear in illustrations and in part lists.

Reference Numbers Indicating Quantity

In an illustration, if a reference number indicates more than one part, the reference number has the form **nX y**. The **n** represents the quantity of the part, the **X** is the multiplication symbol, and the **y** represents the reference number.

For example, in an illustration, the reference number **2X 37** means that two of the parts identified by reference number **37** are indicated.

Contents

Description	Page	Description	Page
Housing, Handle Brackets, and Wheel Assembly	3	Air Cleaner Assembly	
Engine and Blade Assembly	4	Briggs and Stratton Model 12H802-1776-B1	10
Handle and Controls Assembly	5	Muffler and Fuel Tank Assembly	
Cylinder Assembly		Briggs and Stratton Model 12H802-1776-B1	11
Briggs and Stratton Model 12H802-1776-B1	6	Blower Housing Assembly	
Crankshaft Assembly		Briggs and Stratton Model 12H802-1776-B1	12
Briggs and Stratton Model 12H802-1776-B1	7	Starter Assembly	
Carburetor Assembly		Briggs and Stratton Model 12H802-1776-B1	13
Briggs and Stratton Model 12H802-1776-B1	8	Gasket Assembly	
Governor Assembly		Briggs and Stratton Model 12H802-1776-B1	14
Briggs and Stratton Model 12H802-1776-B1	9	Maintenance	15

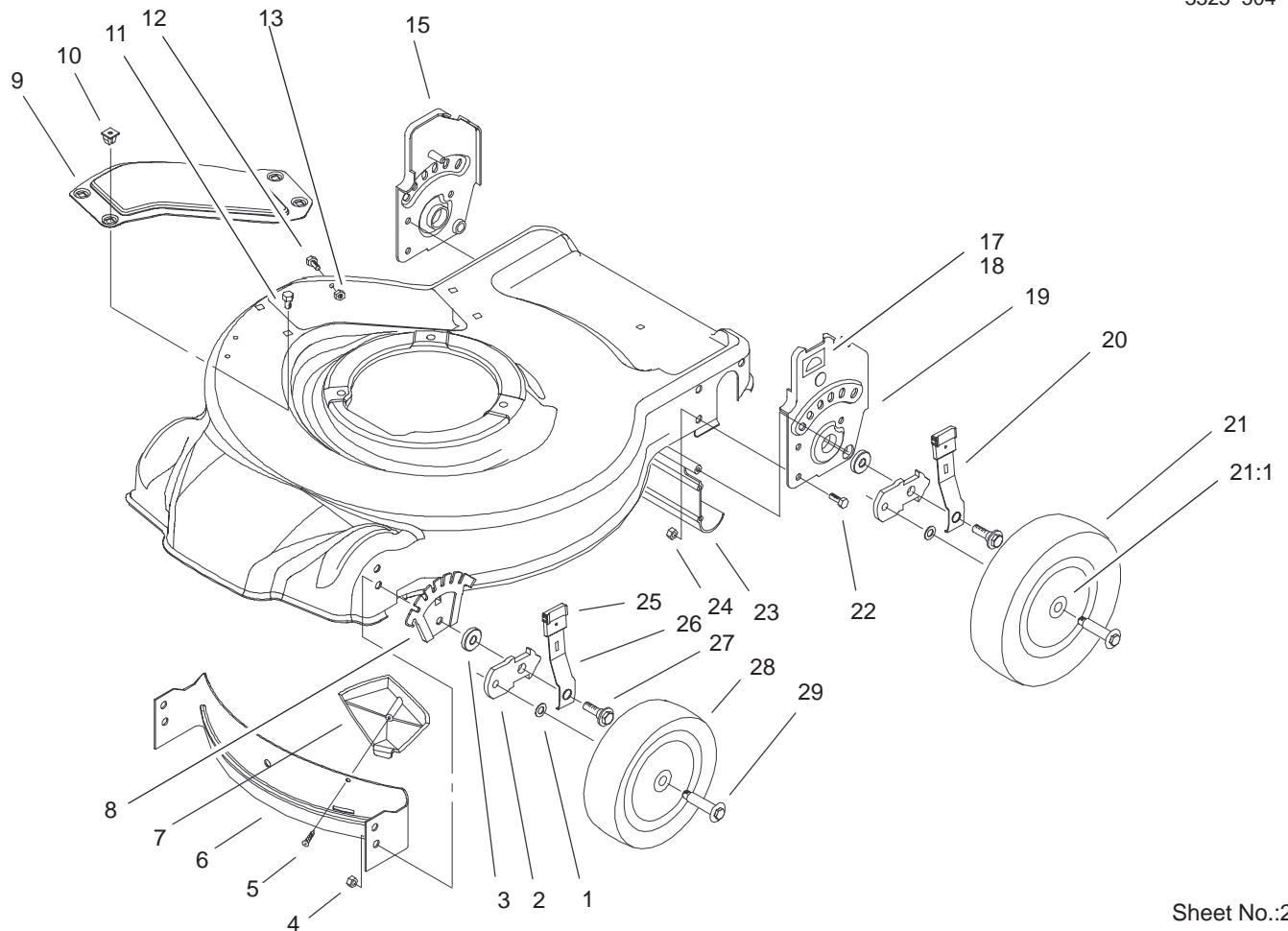
Accessories

Description	Model / Part No.	Description	Model / Part No.
Recycler Bagging Kit	Model 59299		
Chute Plug Kit	Model 59134		

Part Description Abbreviations

Part descriptions in this catalog may include the following abbreviations.

Abbreviation	Meaning	Abbreviation	Meaning
AR	as required	HYD	hydraulic
ASM	assembly	INC	incorporated
CARR	carriage	LH	left hand
DEG	degrees	NI	nylon insert
FH	flat head	PPH	Phillips pan head
GA	gauge	PTH	Phillips truss head
HF	hex flange	PTO	power take off
HH	hex head	RH	right hand
HHF	hex head flange	SFH	slotted fillister head
HLH	hex lag head	SHH	slotted hex head
HJ	hex jam	SQH	square head
HOC	height-of-cut	SHWH	slotted hex washer head
HS	hex socket	SPH	slotted pan head
HSBH	hex socket button head	SRH	slotted round head
HSFH	hex socket flat head	STD	standard
HSH	hex socket head	TAP	self tapping
HWH	hex washer head	TTH	Torx truss head
HWHTF	hex washer head thread forming	WH	wing head

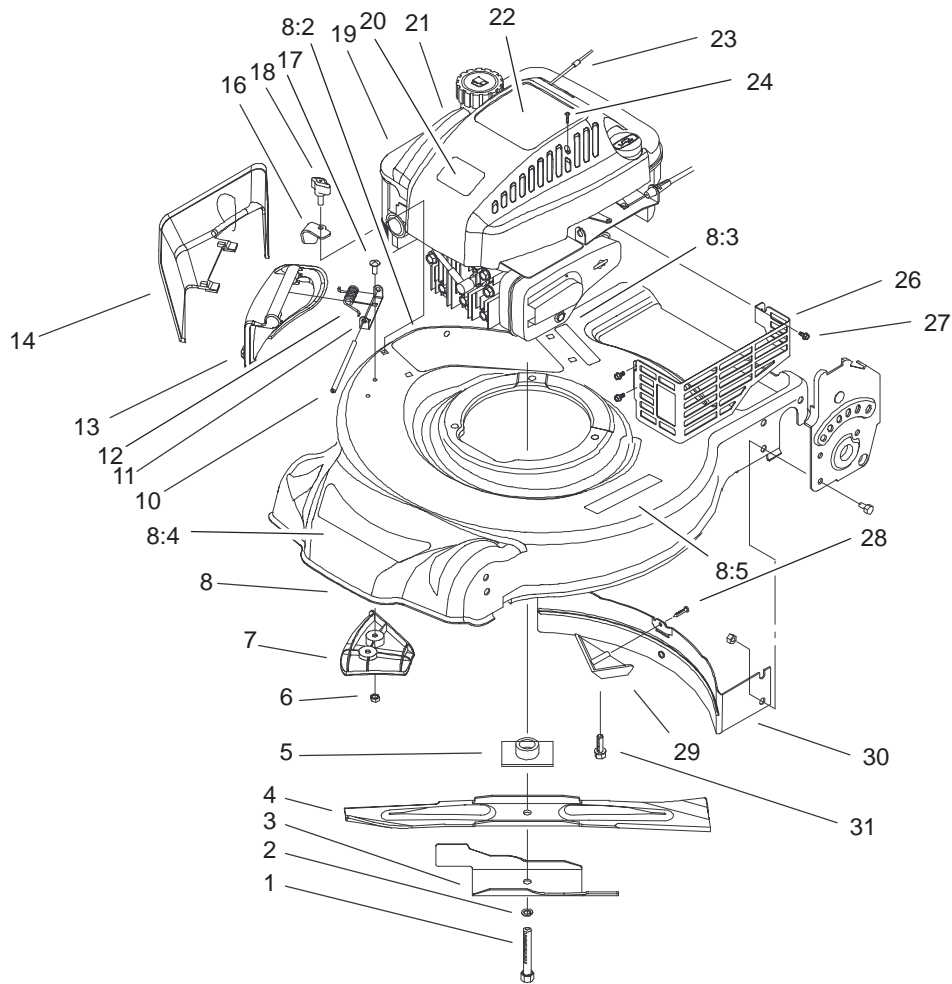


Sheet No.:2

Housing, Handle Brackets, and Wheel Assembly

Ref. No.	Part No.	Qty.	Description
1	40-1940	4	Washer
2	95-7403-03	4	Bracket-Height Adjustment, Wheel
3	92-4890	4	Washer - Wheel
4	3296-39	4	Nut-Lock, NI
5	93-0231	1	Screw - PPH
6	93-0222-03	1	Baffle - Front
7	93-0216	1	Kicker - Front
8	92-4881-03	2	Plate - Height Adjustment
9	93-0230-01	1	Cover - Recycling
10	93-0242	4	Grommet
11	32144-4	3	Screw-HWH
12	32105-27	1	Screw
13	3296-2	1	Nut-Lock
15	93-0236	1	ASM - RH Handle Bracket
17	92-2915	1	Decal - HOC, LH
18	92-2914	1	Decal - HOC, RH
19	93-0235	1	ASM - LH Handle Bracket
20	92-1005	2	Spring Arm ASM - Rear
21	92-9592	2	Wheel ASM
21:1	27-6250	2	Bushing
22	322-3	4	Screw-HH

Ref. No.	Part No.	Qty.	Description
23	92-8647	1	Shield - Trailing
24	3296-29	4	Nut-Lock
25	92-1008	4	Knob-Lever, Height Adjustment
26	614687	2	Arm-Front Spring
27	614650	4	Bolt-Shoulder
28	92-9591	2	Wheel ASM
29	614672	4	Bolt-Shoulder



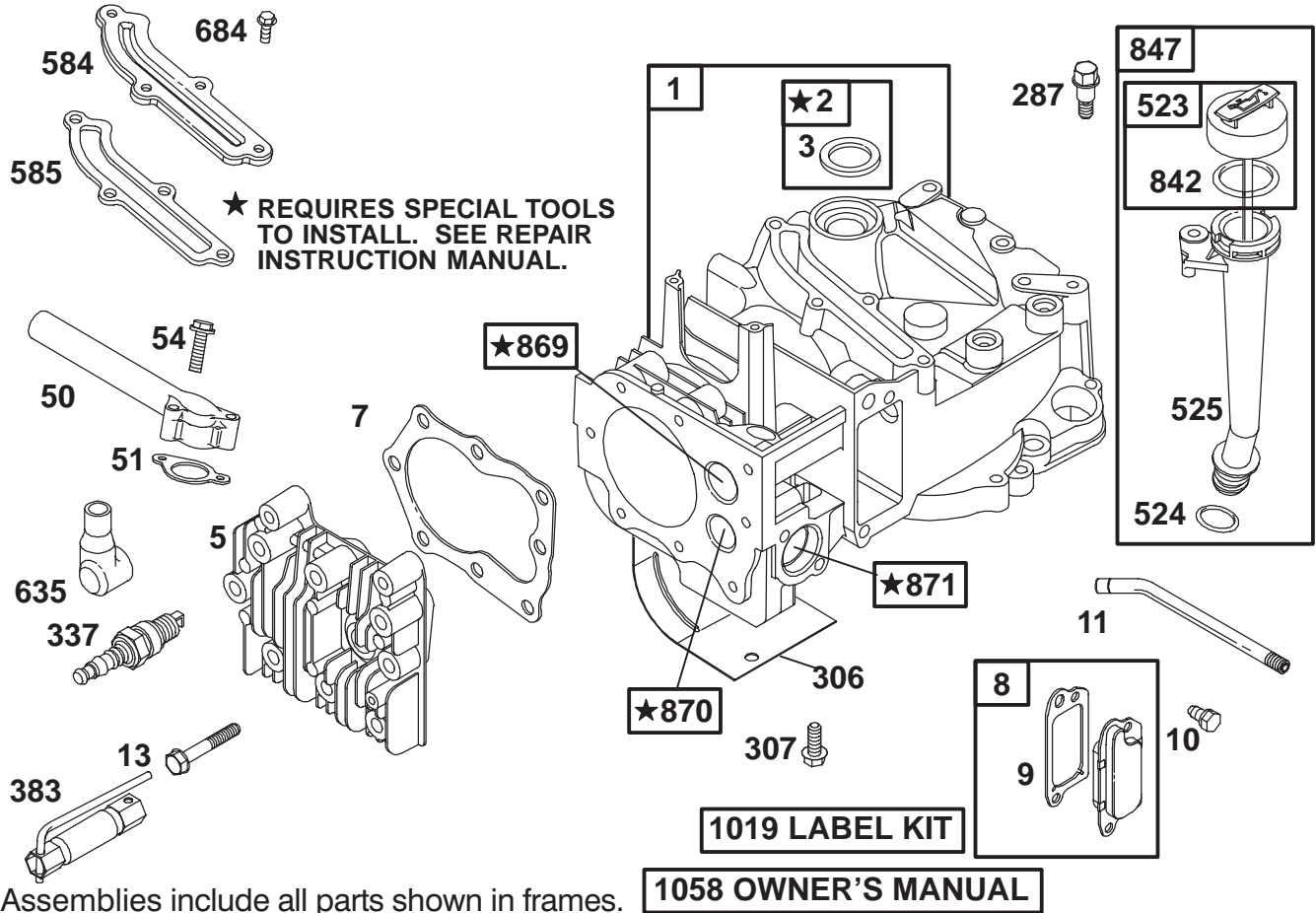
Sheet No.:3

Engine and Blade Assembly

Ref. No.	Part No.	Qty.	Description
1	95-1748	1	Screw-Blade
2	3253-22	1	Washer-Lock
3	93-0219-03	1	Accelerator
4	93-0241-03	1	Blade - Steel Deck
5	104-1008	1	Retainer-Blade
6	32128-32	2	Nut-HHF
7	99-6349	1	Baffle
8	100-1181	1	Housing ASM
8:2	43-8480	1	Decal-Danger
8:3	99-6018	1	Decal - Warning
8:4	99-6011	1	Decal - Deck
8:5	93-0248	1	Decal - Warning
10	99-5291	1	Rod-Cover
11	99-5292	1	Bracket-Cover
12	99-5293	1	Spring-Torsion
13	99-5294	1	Cover-Side
14	99-5295	1	Chute-Side
16	100-1589-03	1	Clamp-Door
17	3229-11	2	Screw-CARR
18	98-8332	1	Knob
★19		1	Engine-Quantum Briggs and Stratton Model 12h802-1776-B1
20	98-3206	1	Nameplate-Toro

Ref. No.	Part No.	Qty.	Description
21	93-0243	1	Shroud-Quantum Wedge
22	99-6013	1	Decal - Recoil
23	2210-316	1	Stop-Rope
24	32144-121	2	Screw-PPH
26	104-7577-03	1	Shield-Muffler
27	32144-1	3	Screw-Taptite
28	93-0231	1	Screw - PPH
29	93-0217	1	Kicker - Rear
30	93-0223-03	1	Baffle - Rear
31	95-1726	3	Screw-Taptite W/Patch

★ Not serviced



Assemblies include all parts shown in frames.

1058 OWNER'S MANUAL

Cylinder Assembly Briggs and Stratton Model 12H802-1776-B1

Ref. No.	Part No.	Qty.	Description
1	493260	1	Cylinder Assembly
2	399269	1	Bearing/Seal Kit (Magneto Side)
★3	299819	1	Oil Seal, MagnetoSide
5	691160	1	Cylinder Head
△★7	692249	1	Cylinder Head Gasket
8	695250	1	Breather Assembly
△★9	272481	1	Breather Gasket
10	691125	1	Screw (Breather Assembly)
11	691781	1	Breather Tube
13	690912	1	Screw (Cylinder Head)
50	497465	1	Intake Manifold
★51	272199	1	Intake Gasket
54	691650	1	Screw (Intake Manifold)
287	690940	1	Screw (Dipstick Tube)
306	690450	1	Cylinder Shield
307	690345	1	Screw (Cylinder Shield)
337	802592	1	Sparkplug
383	89838	1	Sparkplug Wrench
523	495264	1	Dipstick
★524	692296	1	Dipstick Tube Seal

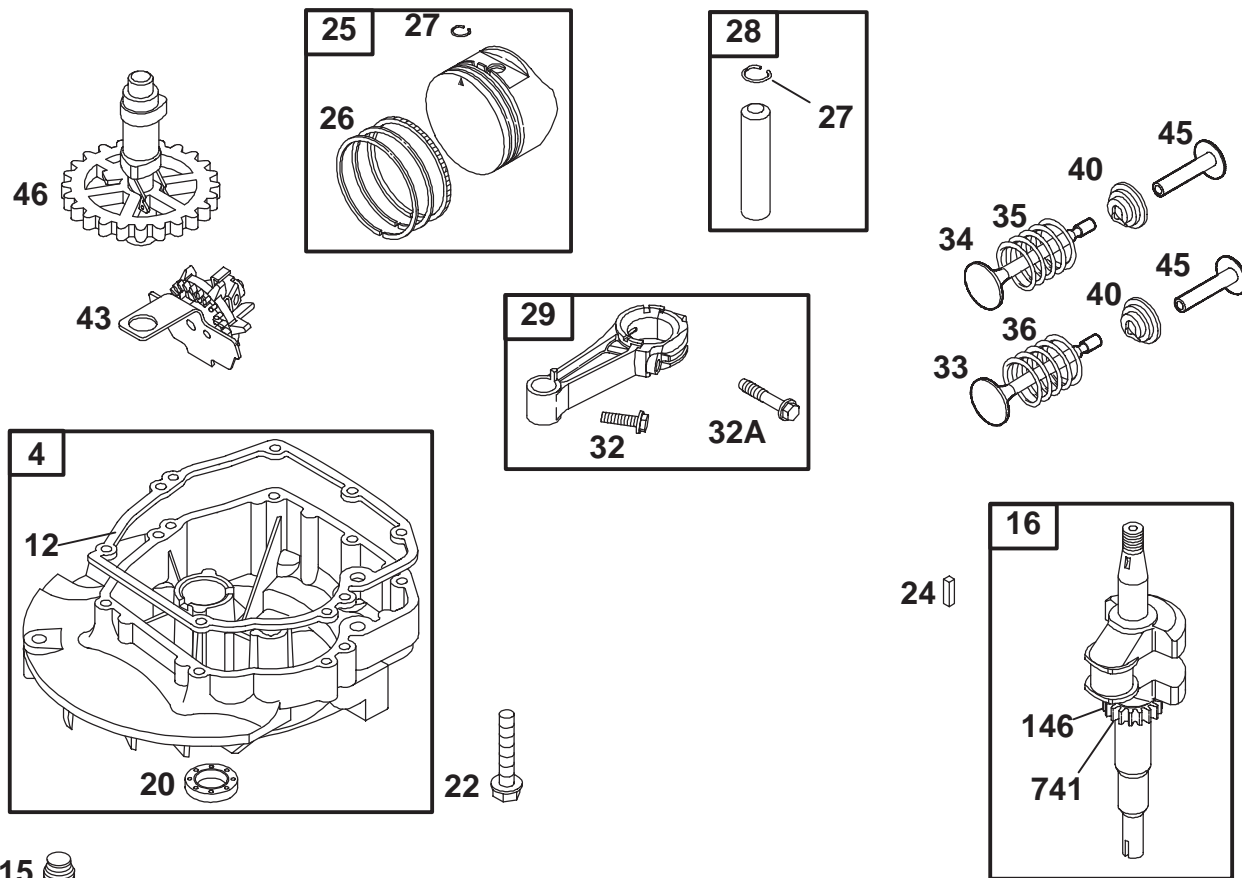
Ref. No.	Part No.	Qty.	Description
525	495265	1	Dipstick Tube
584	692342	1	Breather Passage Cover
★585	691879	1	Breather Passage Gasket
635	66538	1	Sparkplug Boot
684	690345	1	Screw (Breather Passage Cover)
★842	691031	1	O Ring Seal (Dipstick Tube)
847	692017	1	Dipstick/Tube Assembly
869	691155	1	Valve Seat (Intake)
870	690380	1	Valve Seat (Exhaust)
871	262001	1	Guide Bushing (Exhaust)
	63709	1	Guide Bushing (Intake)
1019	494256	1	Label Kit
1058	274783	1	Owner's Manual
	696276	1	Short Block

△ Included in Valve Gasket Set-Ref. 1095.

★ Included in Engine Gasket Set-Ref. 358.

● Included in Carburetor Overhaul Kit-Ref. 121.

◆ Included in Carburetor Gasket Set-Ref. 977



Assemblies include all parts shown in frames.

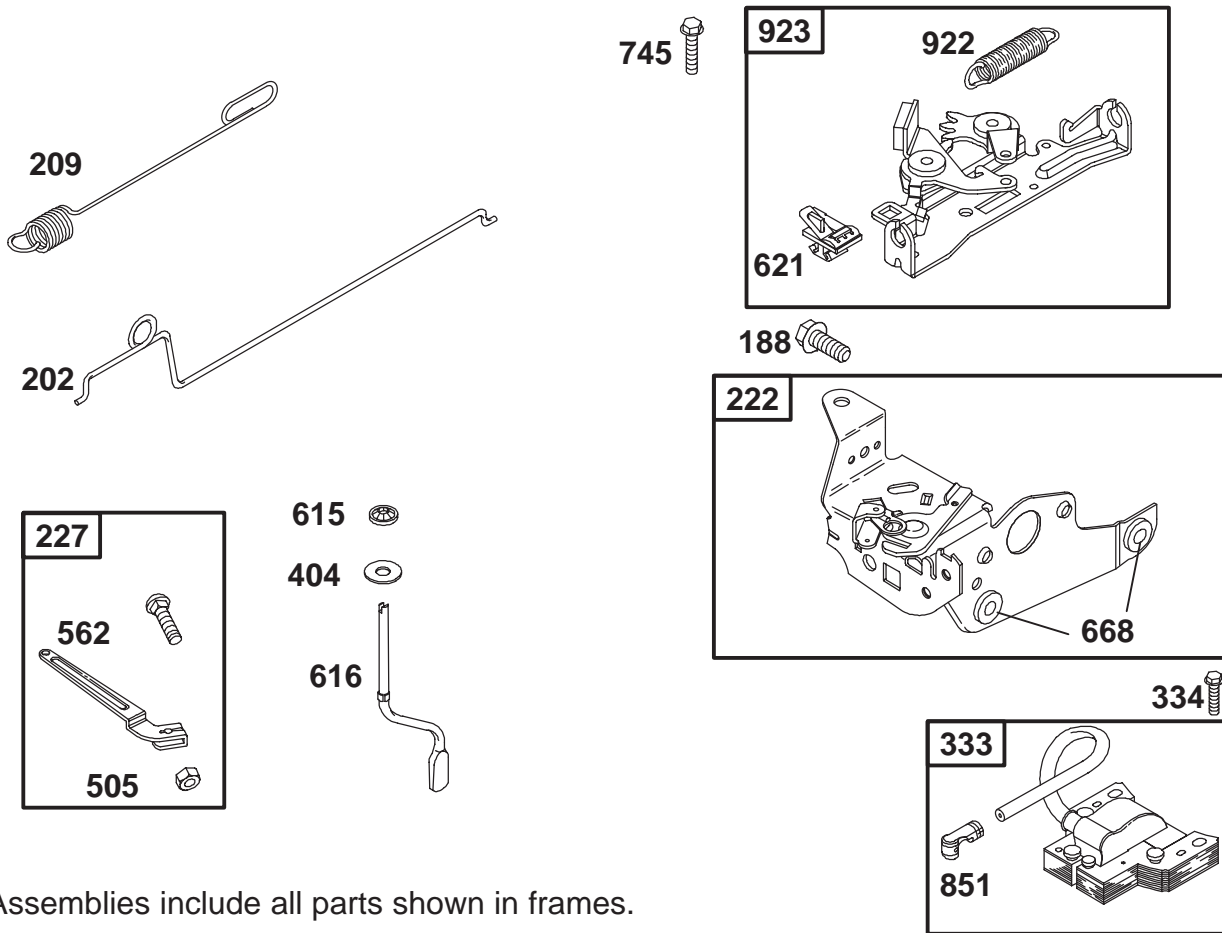
Crankshaft Assembly Briggs and Stratton Model 12H802-1776-B1

Ref. No.	Part No.	Qty.	Description
4	493279	1	Engine Sump
★12	692232	1	Crankcase Gasket
15	691680	1	Oil Drain Plug
16	696009	1	Crankshaft
★20	399781	1	Oil Seal (PTO Side)
22	691092	1	Screw (Engine Sump)
24	222698	1	Flywheel Key
25	499429	1	Piston Assembly (Standard)
	499430	1	Piston Assembly (.010" Oversize)
	499431	1	Piston Assembly (.020" Oversize)
	499432	1	Piston Assembly (.030" Oversize)
26	499425	1	Ring Set (Standard)
	499426	1	Ring Set (.010" Oversize)
	499427	1	Ring Set (.020" Oversize)

Ref. No.	Part No.	Qty.	Description
	499428	1	Ring Set (.030" Oversize)
27	691866	1	Piston Pin Lock
28	499423	1	Piston Pin (Standard)
	298908	1	Piston Pin (.005" O.S.)
29	499424	1	Connecting Rod (Standard)
32	691664	1	Screw (Connecting Rod)
32A	695759	1	Screw (Connecting Rod)
33	262651	1	Exhaust Valve
34	262652	1	Intake Valve
35	691270	1	Valve Spring (Intake)
36	691270	1	Valve Spring (Exhaust)
40	692194	1	Valve Retainer
43	691997	1	Governor/Oil Slinger
45	690548	1	Valve Keeper
46	691449	1	Camshaft
146	690979	1	Timing Key
741	691830	1	Timing Gear

△ Included in Valve Gasket Set—Ref. 1095.
 ★ Included in Engine Gasket Set—Ref. 358.

● Included in Carburetor Overhaul Kit—Ref. 121.
 ◆ Included in Carburetor Gasket Set—Ref. 977.



Assemblies include all parts shown in frames.

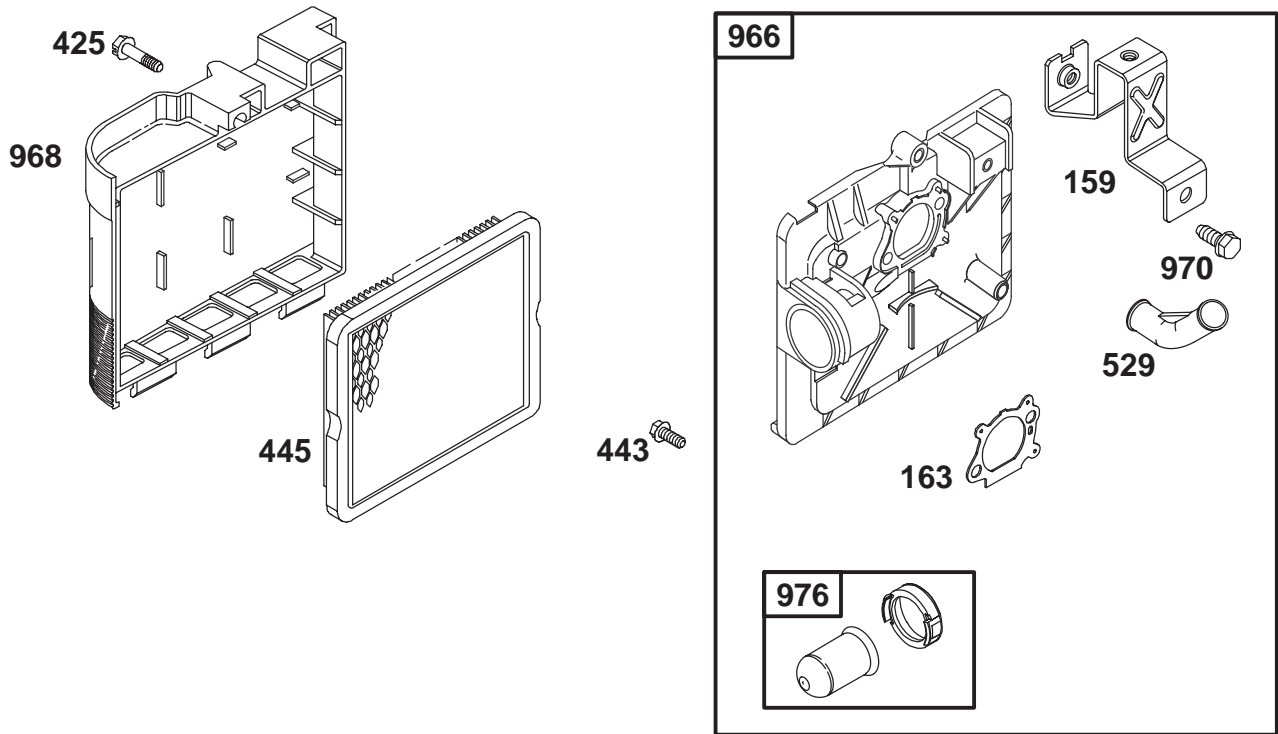
Governor Assembly Briggs and Stratton Model 12H802-1776-B1

Ref. No.	Part No.	Qty.	Description
188	690877	1	Screw (Control Bracket)
202	691829	1	Mechanical Governor Link
209	691292	1	Governor Spring
222	692467	1	Control Bracket
227	690783	1	Governor Control Lever
333	802574	1	Magneto Armature
334	691061	1	Screw (Magneto Armature)
404	690272	1	Washer (Governor Crank)
505	231082	1	Nut (Governor Control Lever)
562	92613	1	Screw (Governor Control Lever)
615	690340	1	Governor Shaft Retainer
616	691306	1	Governor Crank
621	692310	1	Stop Switch

Ref. No.	Part No.	Qty.	Description
★668	493823	1	Spacer (Includes 2)
745	691648	1	Screw (Brake)
851	493880	1	Sparkplug Terminal
922	691831	1	Brake Spring
923	691994	1	Brake

△ Included in Valve Gasket Set-Ref. 1095.
★ Included in Engine Gasket Set-Ref. 358.

● Included in Carburetor Overhaul Kit-Ref. 121.
◆ Included in Carburetor Gasket Set-Ref. 977.



Assemblies include all parts shown in frames.

Air Cleaner Assembly Briggs and Stratton Model 12H802-1776-B1

Ref. No.	Part No.	Qty.	Description
159	691753	1	Air Cleaner Primer Bracket
★◆163	272653	1	Air Cleaner Gasket
425	690670	1	Screw (Air Cleaner Cover)
443	692523	1	Screw (Air Cleaner Primer Base)
445	491588	1	Air Cleaner Cartridge Filter
529	691923	1	Grommet
966	496116	1	Air Cleaner Primer Base
968	692298	1	Air Cleaner Cover
970	691669	1	Screw (Air Cleaner Primer Bracket)
976	694395	1	Carburetor Primer

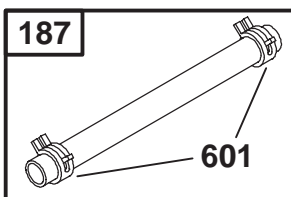
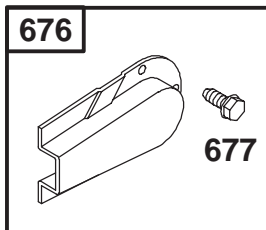
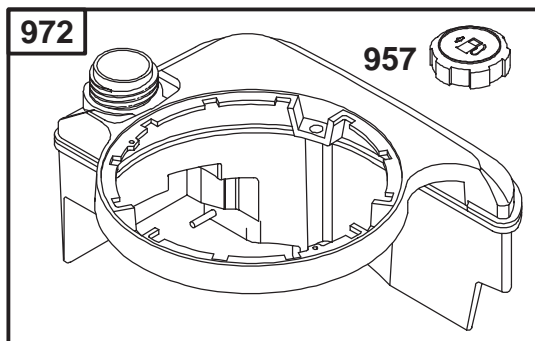
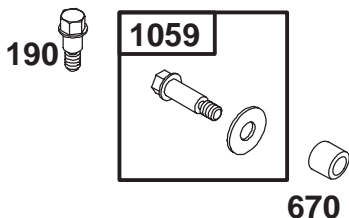
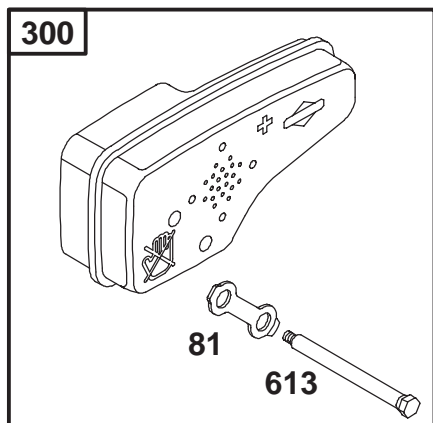
Ref. No.	Part No.	Qty.	Description

△ Included in Valve Gasket Set-Ref. 1095.

★ Included in Engine Gasket Set-Ref. 358.

● Included in Carburetor Overhaul Kit-Ref. 121.

◆ Included in Carburetor Gasket Set-Ref. 977.



Assemblies include all parts shown in frames.

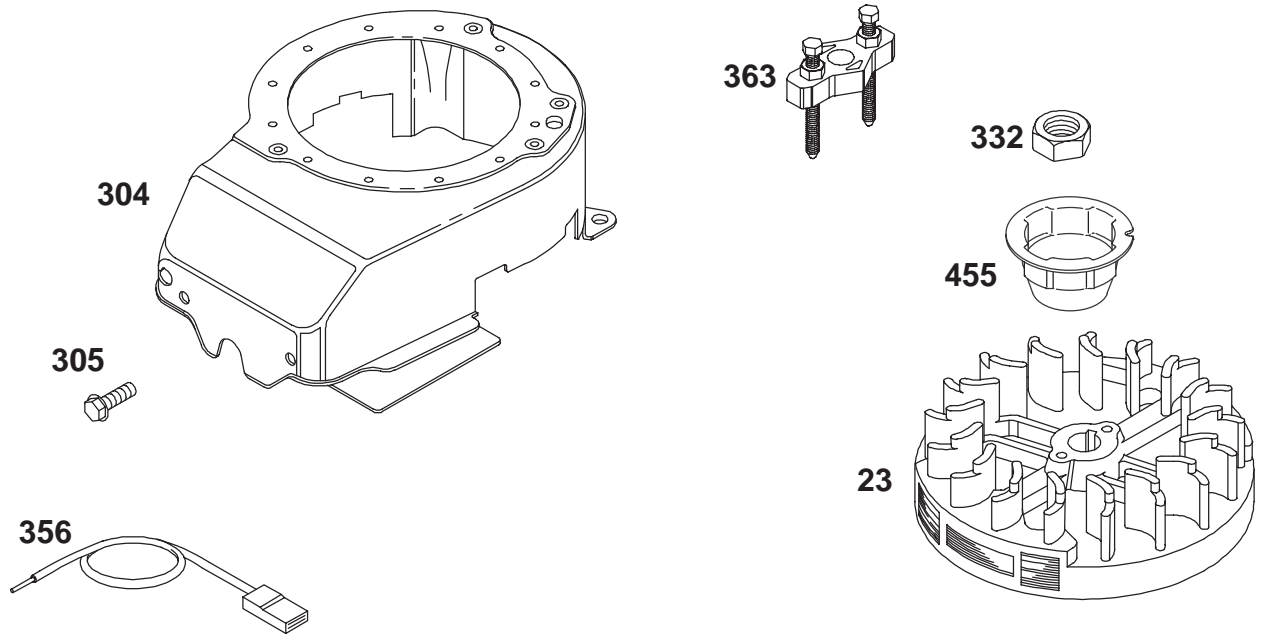
Muffler and Fuel Tank Assembly Briggs and Stratton Model 12H802-1776-B1

Ref. No.	Part No.	Qty.	Description
81	691740	1	Muffler Screw Lock
187	691050	1	Fuel Line (Cut to Required Length)
190	690940	1	Screw (Fuel Tank)
300	496106	1	Muffler
601	95162	1	Hose Clamp
613	691340	1	Screw (Muffler)
670	692294	1	Fuel Tank Spacer
676	493871	1	Muffler Deflector
677	690661	1	Screw (Muffler Deflector)
957	397974	1	Fuel Tank Cap
972	495224	1	Fuel Tank
1059	692311	1	Screw/Washer Kit

Ref. No.	Part No.	Qty.	Description

△ Included in Valve Gasket Set-Ref. 1095.
★ Included in Engine Gasket Set-Ref. 358.

● Included in Carburetor Overhaul Kit-Ref. 121.
◆ Included in Carburetor Gasket Set-Ref. 977.



1036 EMISSIONS LABEL

Assemblies include all parts shown in frames.

Blower Housing Assembly Briggs and Stratton Model 12H802-1776-B1

Ref. No.	Part No.	Qty.	Description
23	692315	1	Flywheel
304	493293	1	Blower Housing
305	691108	1	Screw (Blower Housing)
332	690877	1	Nut (Flywheel)
356	692390	1	Stop Wire
363	19069	1	Flywheel Puller
455	691219	1	Flywheel Cup
1036	695111	1	Emissions Label

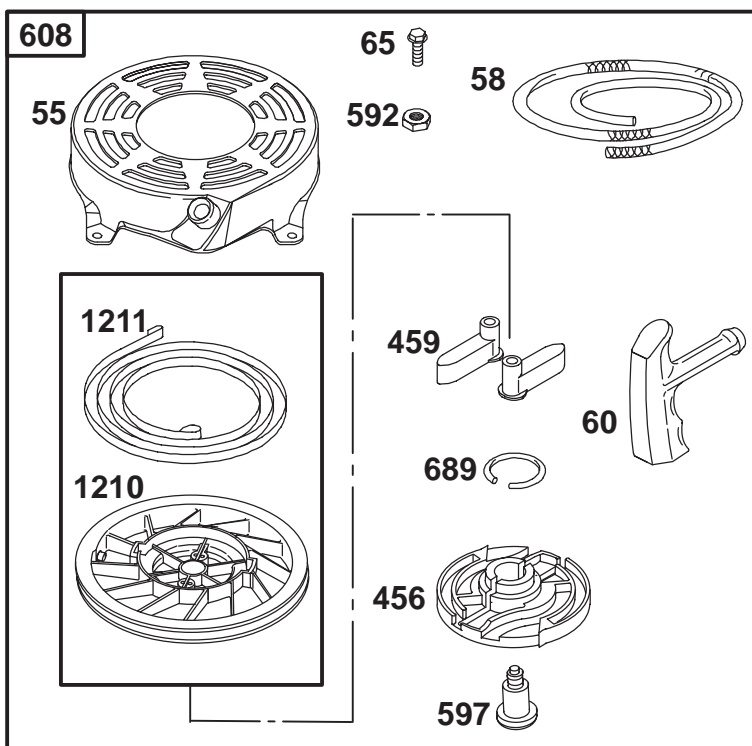
Ref. No.	Part No.	Qty.	Description

△ Included in Valve Gasket Set-Ref. 1095.

★ Included in Engine Gasket Set-Ref. 358.

● Included in Carburetor Overhaul Kit-Ref. 121.

◆ Included in Carburetor Gasket Set-Ref. 977.



Assemblies include all parts shown in frames.

Starter Assembly Briggs and Stratton Model 12H802-1776-B1

Ref. No.	Part No.	Qty.	Description
55	691421	1	Rewind Starter Housing
58	280399	1	Starter Rope
60	281434	1	Starter Rope Grip
65	690837	1	Screw (Rewind Starter)
456	692299	1	Pawl Friction Plate
459	281505	1	Pawl Ratchet
592	690800	1	Nut (Rewind Starter)
597	691696	1	Screw (Pawl Friction Plate)
608	497680	1	Rewind Starter
689	691855	1	Friction Spring
1210	498144	1	Pulley/Spring Assembly (Pulley)
1211	498144	1	Pulley/Spring Assembly (Spring)

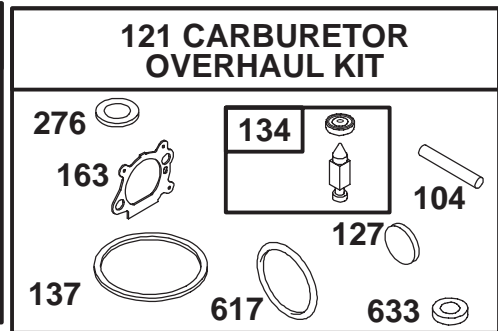
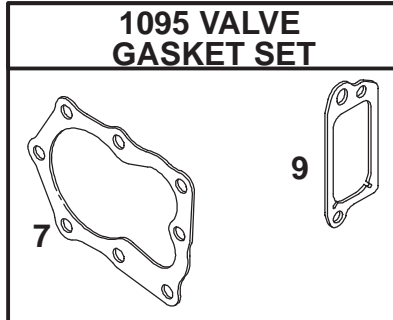
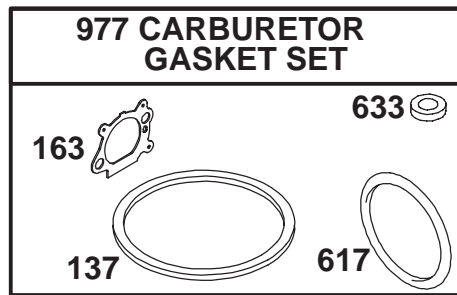
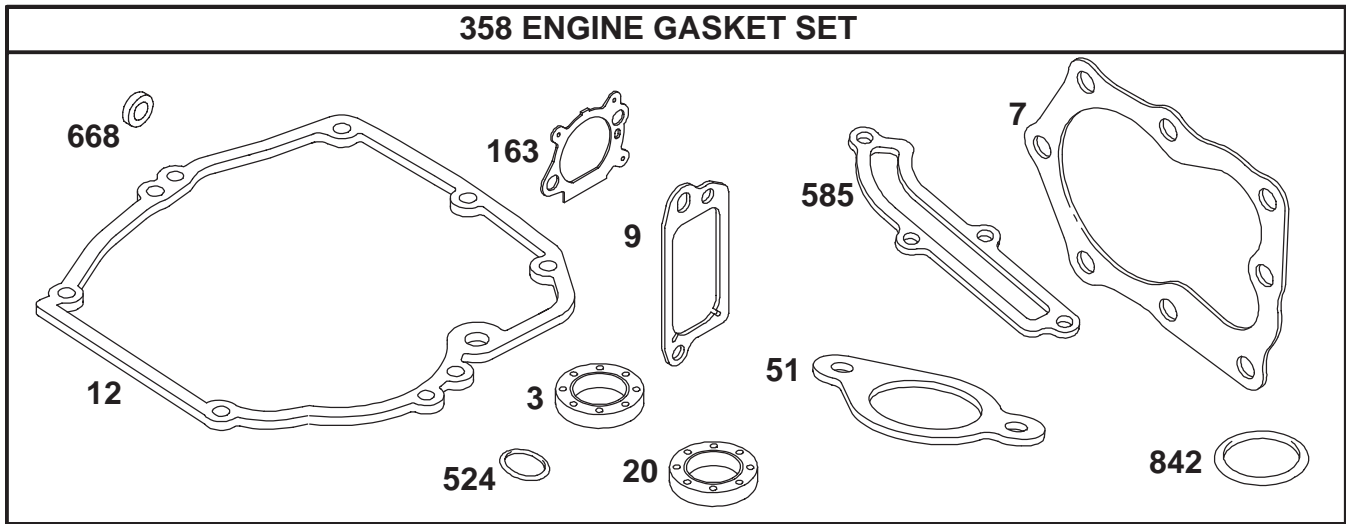
Ref. No.	Part No.	Qty.	Description

△ Included in Valve Overhaul Set-Ref. 1095.

★ Included in Engine Gasket Set-Ref. 358.

● Included in Carburetor Overhaul Kit-Ref. 121.

◆ Included in Carburetor Gasket Set-Ref. 977.



Assemblies include all parts shown in frames.

Gasket Assembly Briggs and Stratton Model 12H802-1776-B1

Ref. No.	Part No.	Qty.	Description
★3	299819	1	Oil Seal (Magneto Side)
△★7	692249	1	Cylinder Head Gasket
△★9	272481	1	Breather Gasket
★12	692232	1	Crankcase Gasket
★20	399781	1	Oil Seal (PTO Side)
★51	272199	1	Intake Gasket
●104	691242	1	Float Hinge Pin
121	498260	1	Carburetor Overhaul Kit
●127	694468	1	Welch Plug
●134	398188	1	Needle/Seat Kit
●◆137	693981	1	Float Bowl Gasket
★◆163	272653	1	Air Cleaner Gasket
●276	271716	1	Sealing Washer
358	497316	1	Engine Gasket Set
★524	692296	1	Dipstick Tube Seal
★585	691879	1	Breather Passage Gasket
●◆617	270344	1	O Ring Seal (Intake Manifold)
●◆633	691321	1	Choke Throttle Shaft Seal

Ref. No.	Part No.	Qty.	Description
★668	493823	1	Spacer (Includes 2)
★842	691031	1	O Ring Seal (Dipstick Tube)
977	498261	1	Carburetor Gasket Set
1095	498528	1	Valve Gasket Set

△ Included in Valve Gasket Set-Ref. 1095.

★ Included in Engine Gasket Set-Ref. 358.

● Included in Carburetor Overhaul Kit-Ref. 121.

◆ Included in Carburetor Gasket Set-Ref. 977.

