



Recycler[®] Walk Behind Mower

Model No. 20020-210000001 and Up

Model No. 20021-210000001 and Up

Parts Catalog

Ordering Replacement Parts

To order replacement parts, please supply: the part number, the quantity, and the description of each part desired.

Understanding Reference Numbers

Each identified part in an illustration has a reference number. The reference number for a part also appears in the parts list, along with other information about the part.

This catalog uses two special reference number formats, one to indicate parts in a service assembly and another to indicate the quantity of a given part in an illustration.

Service Assembly Reference Numbers

Parts in service assemblies have reference numbers in the form **a:b**. The **a** represents the reference number of the entire service assembly and the **b** represents a sequential number unique to each part within the service assembly.

For example, a wheel assembly might be identified by reference number **6**, the tire by **6:1**, the valve by **6:2**, and the wheel by **6:3**. When you order the assembly identified by reference number **6**, you receive all parts identified by reference numbers **6:1**, **6:2**, and **6:3**. However, you may also order any part individually.

Reference numbers of this type appear in illustrations and in part lists.

Reference Numbers Indicating Quantity

In an illustration, if a reference number indicates more than one part, the reference number has the form **nX y**. The **n** represents the quantity of the part, the **X** is the multiplication symbol, and the **y** represents the reference number.

For example, in an illustration, the reference number **2X 37** means that two of the parts identified by reference number **37** are indicated.

Contents

| Description | Page | Description | Page |
|---|-------------|--|-------------|
| Housing & Handle Bracket Assembly | 3 | Discharge Door Assembly (Model 20021 only) . | 10 |
| Gear Case Assembly | 4 | Discharge Chute Assembly | |
| Gear Case & Wheel Assembly | 5 | (Model 20021 only) | 11 |
| Engine Assembly | 6 | Grass Bag Assembly (Model 20021 only) | 12 |
| Handle Assembly | 7 | Bag Chute Assembly (Model 20021 only) | 13 |
| Rear Bag Tunnel Assembly | 8 | Engine | 14-22 |
| Rear Grass Bag Assembly | 9 | Maintenance | 23 |

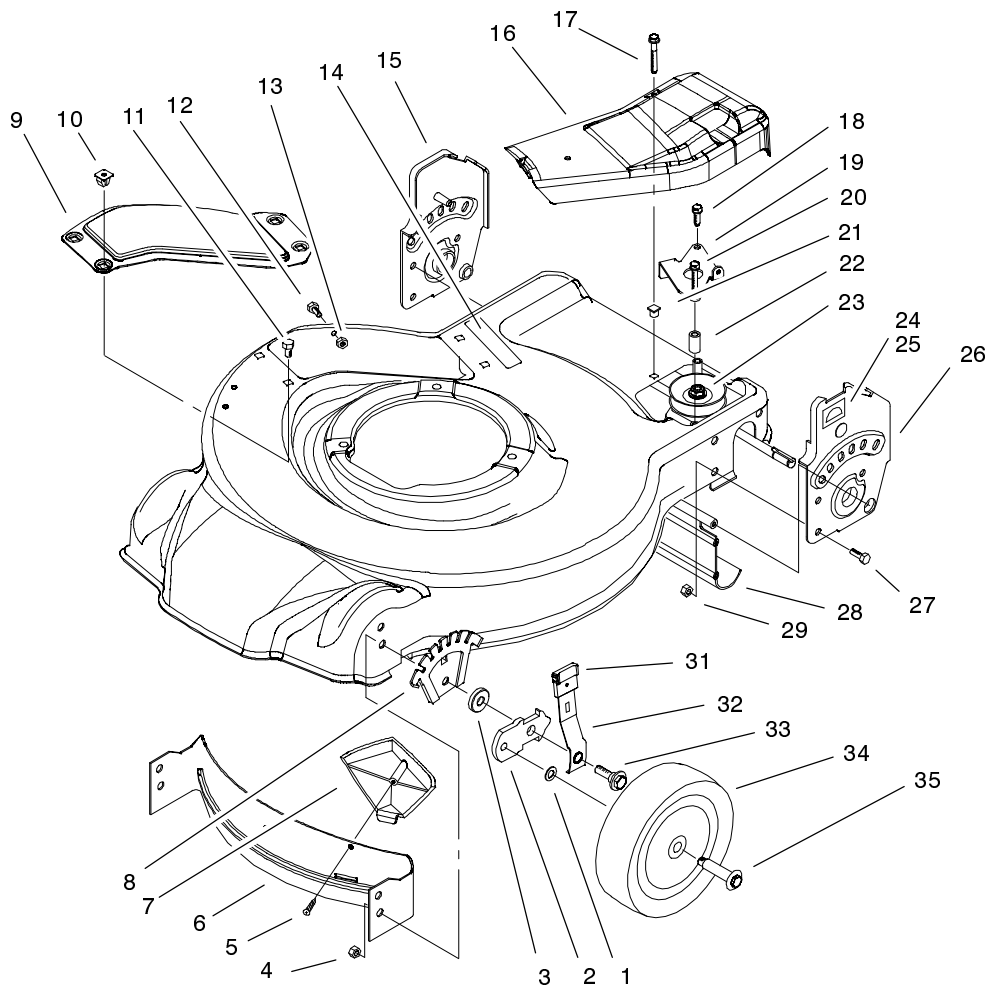
Accessories

| Description | Model / Part No. | Description | Model / Part No. |
|-----------------------|-------------------------|--------------------|-------------------------|
| Recycler Bagging Kit | | | |
| (Only on 20020) | Model No. 59299 | | |
| Chute Plug Kit | Model No. 59134 | | |

Part Description Abbreviations

Part descriptions in this catalog may include the following abbreviations.

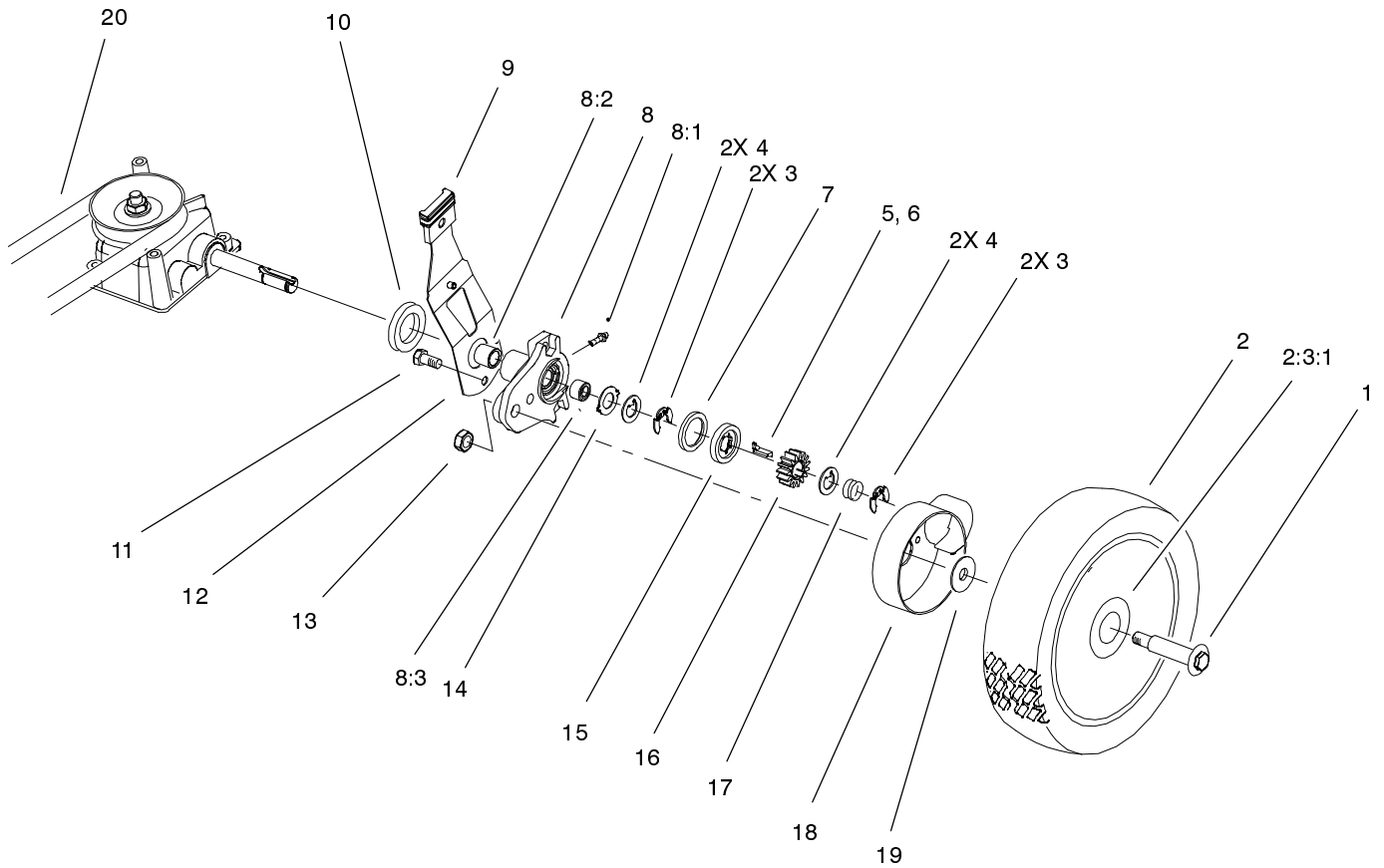
| Abbreviation | Meaning | Abbreviation | Meaning |
|---------------------|-----------------------------------|---------------------|-------------------------|
| AR | as required | HYD | hydraulic |
| ASM | assembly | INC | incorporated |
| CARR | carriage | LH | left hand |
| DEG | degrees | NI | nylon insert |
| FH | flat head | PPH | Phillips pan head |
| GA | gauge | PTH | Phillips truss head |
| HF | hex flange | PTO | power take off |
| HH | hex head | RH | right hand |
| HHF | hex head flange | SFH | slotted fillister head |
| HLH | hex lag head | SHH | slotted hex head |
| HJ | hex jam | SQH | square head |
| HOC | height-of-cut | SHWH | slotted hex washer head |
| HS | hex socket | SPH | slotted pan head |
| HSBH | hex socket button head | SRH | slotted round head |
| HSFH | hex socket flat head | STD | standard |
| HSH | hex socket head | TAP | self tapping |
| HWH | hex washer head | TTH | Torx truss head |
| HWHTF | hex washer head thread forming | WH | wing head |



Sheet No.:2

Housing & Handle Bracket Assembly

| Ref. No. | Part No. | Qty. | Description | Ref. No. | Part No. | Qty. | Description |
|----------|------------|------|------------------------------------|----------|------------|------|-------------------------------|
| 1 | 40-1940 | 2 | Washer | 19 | 93-0228-03 | 1 | Guide - Transmission |
| 2 | 95-7403-03 | 2 | Bracket-Wheel Height Adjustment | 20 | 92-1616 | 1 | Screw-HWHTF |
| 3 | 92-4890 | 2 | Washer - Wheel | 21 | 605120 | 1 | Grommet |
| 4 | 3296-39 | 2 | Nut-Lock, NI | 22 | 614673 | 1 | Bushing-Plate, Actuator |
| 5 | 93-0231 | 1 | Screw - PPH | 23 | 104-7678 | 1 | Gear Case ASM, Ts |
| 6 | 93-0222-03 | 1 | Baffle - Front | 24 | 92-2915 | 1 | Decal - HOC, LH |
| 7 | 93-0216 | 1 | Kicker - Front | 25 | 92-2914 | 1 | Decal - HOC, RH |
| 8 | 92-4881-03 | 2 | Plate - Height Adjustment | 26 | 93-0233 | 1 | ASM - LH Handle Bracket |
| 9 | 93-0230-01 | 1 | Cover - Recycling (only on: 20020) | 27 | 322-3 | 6 | Screw-HH |
| 10 | 93-0242 | 4 | Grommet (only on: 20020) | 28 | 92-8647 | 1 | Shield - Trailing |
| 11 | 32144-4 | 3 | Screw-HH (only on: 20020) | 29 | 3296-29 | 6 | Nut-Lock |
| 12 | 32105-27 | 1 | Screw (only on: 20020) | 31 | 92-1008 | 2 | Knob-Lever, Height Adjustment |
| 13 | 3296-2 | 1 | Nut-Lock (only on: 20020) | 32 | 614687 | 2 | Arm-Front Spring |
| 14 | 99-6018 | 1 | Decal - Warning | 33 | 614650 | 2 | Bolt-Shoulder |
| 15 | 93-0234 | 1 | ASM - RH Handle Bracket | 34 | 92-9591 | 2 | Wheel ASM |
| 16 | 93-0209 | 1 | Cover - Transmission | 35 | 614672 | 2 | Bolt-Shoulder |
| 17 | 32144-119 | 1 | Screw-Pth | | | | |
| 18 | 49-2040 | 1 | Screw-Tapping | | | | |

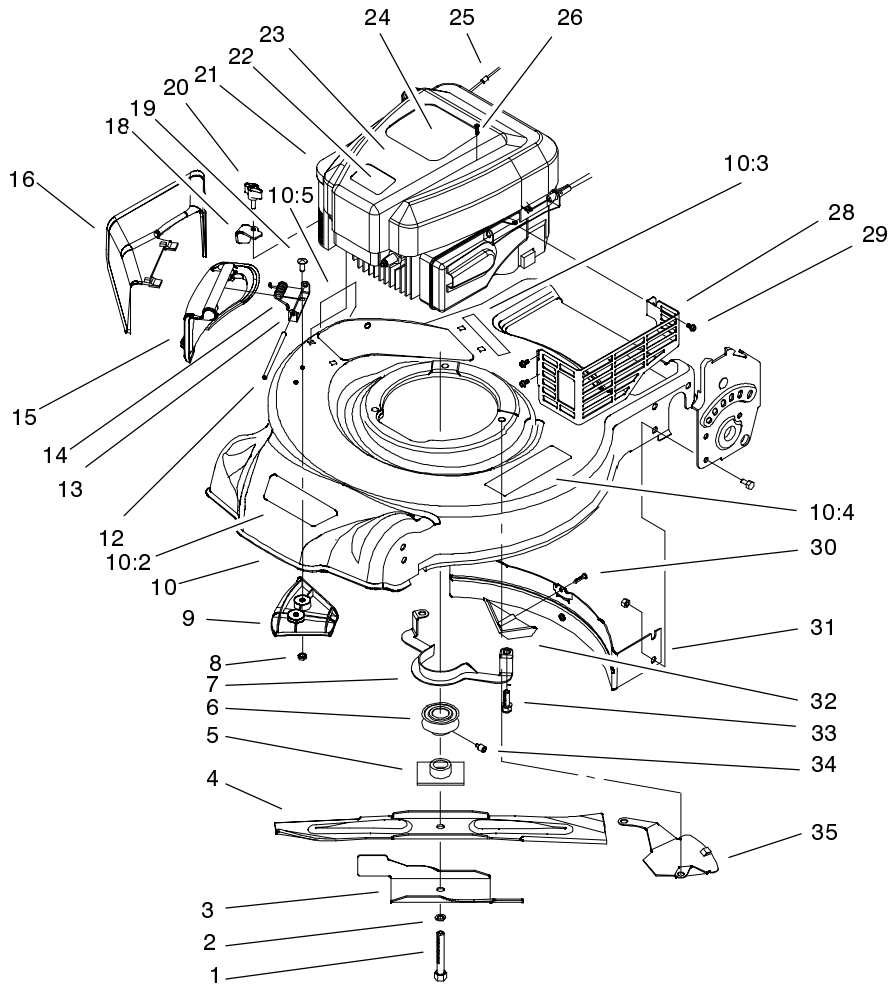


Sheet No.:3

Gear Case & Wheel Assembly

| Ref. No. | Part No. | Qty. | Description |
|----------|----------|------|--------------------------------|
| 1 | 92-1057 | 2 | Bolt-Shoulder |
| 2 | 92-9590 | 2 | Wheel ASM |
| 2:3:1 | 27-6250 | 2 | Bushing |
| 3 | 65-2720 | 4 | Ring-Klip |
| 4 | 65-4740 | 4 | Washer-Thrust, Keyed |
| 5 | 66-6040 | 1 | Key-Rocking, RH |
| 6 | 66-6050 | 1 | Key-Rocking, LH |
| 7 | 65-4710 | 2 | Ring-Friction |
| 8 | 92-7746 | 2 | Arm ASM-Rear Height Adjustment |
| 8:1 | 302-56 | 1 | Fitting-Zerk |
| 8:2 | 47-2900 | 1 | Bushing |
| 8:3 | 70-9760 | 1 | Bushing |
| 9 | 92-1008 | 2 | Knob-Lever, Height Adjustment |
| 10 | 614447 | 2 | Spacer-Axle Shaft |
| 11 | 32144-85 | 2 | Screw-HH |
| 12 | 92-1004 | 2 | Rear Spring Arm ASM |
| 13 | 603773 | 2 | Nut |
| 14 | 65-4730 | 2 | Washer-Arm, Pivot |
| 15 | 65-4760 | 2 | Washer-Clutch |
| 16 | 65-4750 | 2 | Gear-Pinion |
| 17 | 65-4720 | 2 | Spring-Compression |
| 18 | 94-1609 | 2 | Cover-Wheel |

| Ref. No. | Part No. | Qty. | Description |
|----------|----------|------|----------------|
| 19 | 614426 | 2 | Washer-Stepped |
| 20 | 93-0232 | 1 | V-Belt |



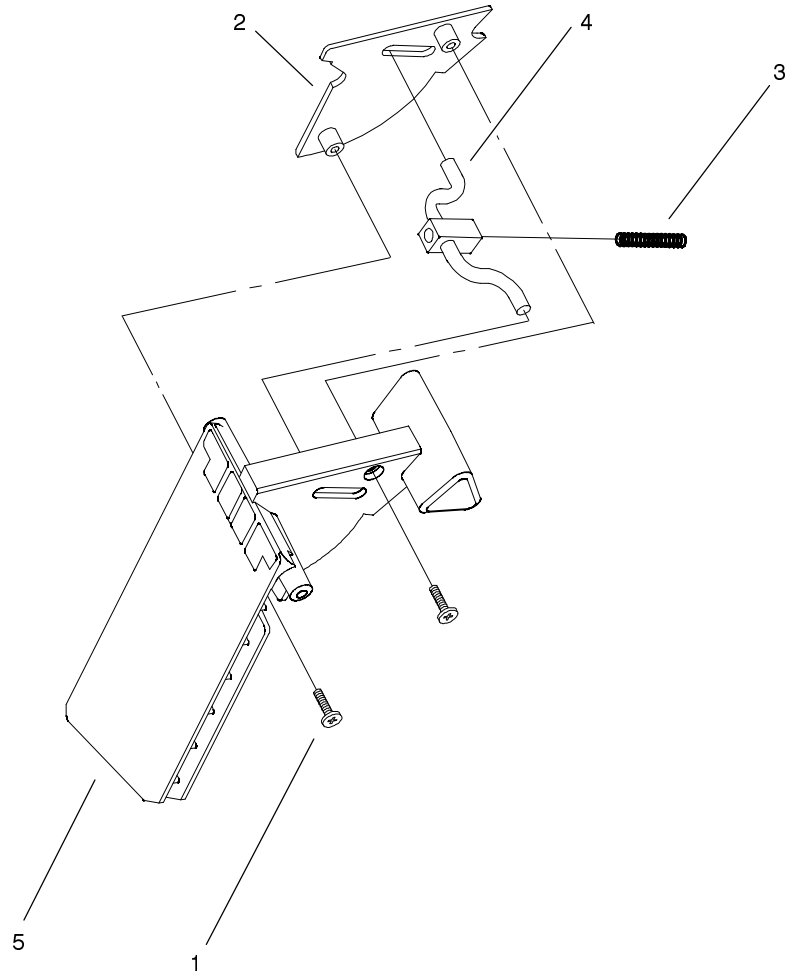
Sheet No.:4

Engine Assembly

| Ref. No. | Part No. | Qty. | Description |
|----------|-------------|------|-----------------------------|
| 1 | 95-1748 | 1 | Screw-Blade |
| 2 | 3253-22 | 1 | Washer-Lock |
| 3 | 93-0219-03 | 1 | Accelerator |
| 4 | 93-0241-03 | 1 | Blade - Steel Deck |
| 5 | 104-1008 | 1 | Retainer-Blade |
| 6 | 95-1878 | 1 | Pulley |
| 7 | 92-1024-03 | 1 | Guide-Belt |
| 8 | 32128-32 | 2 | Nut-HHF |
| 9 | 99-6349 | 1 | Baffle |
| 10 | 99-5236 | 1 | Housing Sp Steel (Service) |
| 10:2 | 99-6011 | 1 | Decal - Deck |
| 10:3 | 99-6018 | 1 | Decal - Warning |
| 10:4 | 93-0248 | 1 | Decal - Warning |
| 10:5 | 43-8480 | 1 | Decal-Danger |
| 11 | 99-6011 | 1 | Decal - Deck |
| 12 | 99-5291 | 1 | Rod-Cover |
| 13 | 99-5292 | 1 | Bracket-Cover |
| 14 | 99-5293 | 1 | Spring-Torsion |
| 15 | 99-5294 | 1 | Cover-Side |
| 16 | 99-5295 | 1 | Chute-Side |
| 17 | 43-8480 | 1 | Decal-Danger |
| 18 | 100-1589-03 | 1 | Clamp-Door (only on: 20020) |
| 19 | 3229-11 | 2 | Screw-CARR |
| 20 | 98-8332 | 1 | Knob (only on: 20020) |

| Ref. No. | Part No. | Qty. | Description |
|----------|-------------|------|---|
| ☆21 | | 1 | Engine Briggs & Stratton Model 12h802-1776-B1 |
| 22 | 98-3206 | 1 | Nameplate - Toro |
| 23 | 93-0243 | 1 | Shroud-Quantum Wedge |
| 24 | 99-6013 | 1 | Decal - Recoil |
| 25 | 2210-316 | 1 | Stop-Rope |
| 26 | 32144-121 | 2 | Screw-PPH |
| 28 | 104-7577-03 | 1 | Shield-Muffler |
| 29 | 32144-1 | 3 | Screw-Taptite |
| 30 | 93-0231 | 1 | Screw - PPH |
| 31 | 93-0223-03 | 1 | Baffle - Rear |
| 32 | 93-0217 | 1 | Kicker - Rear |
| 33 | 95-1726 | 3 | Screw-Taptite W/Patch |
| 34 | 104-0214 | 1 | Screw-Set,Cone Point |
| 35 | 93-4196-03 | 1 | Shield - Grass |

☆ Not serviced



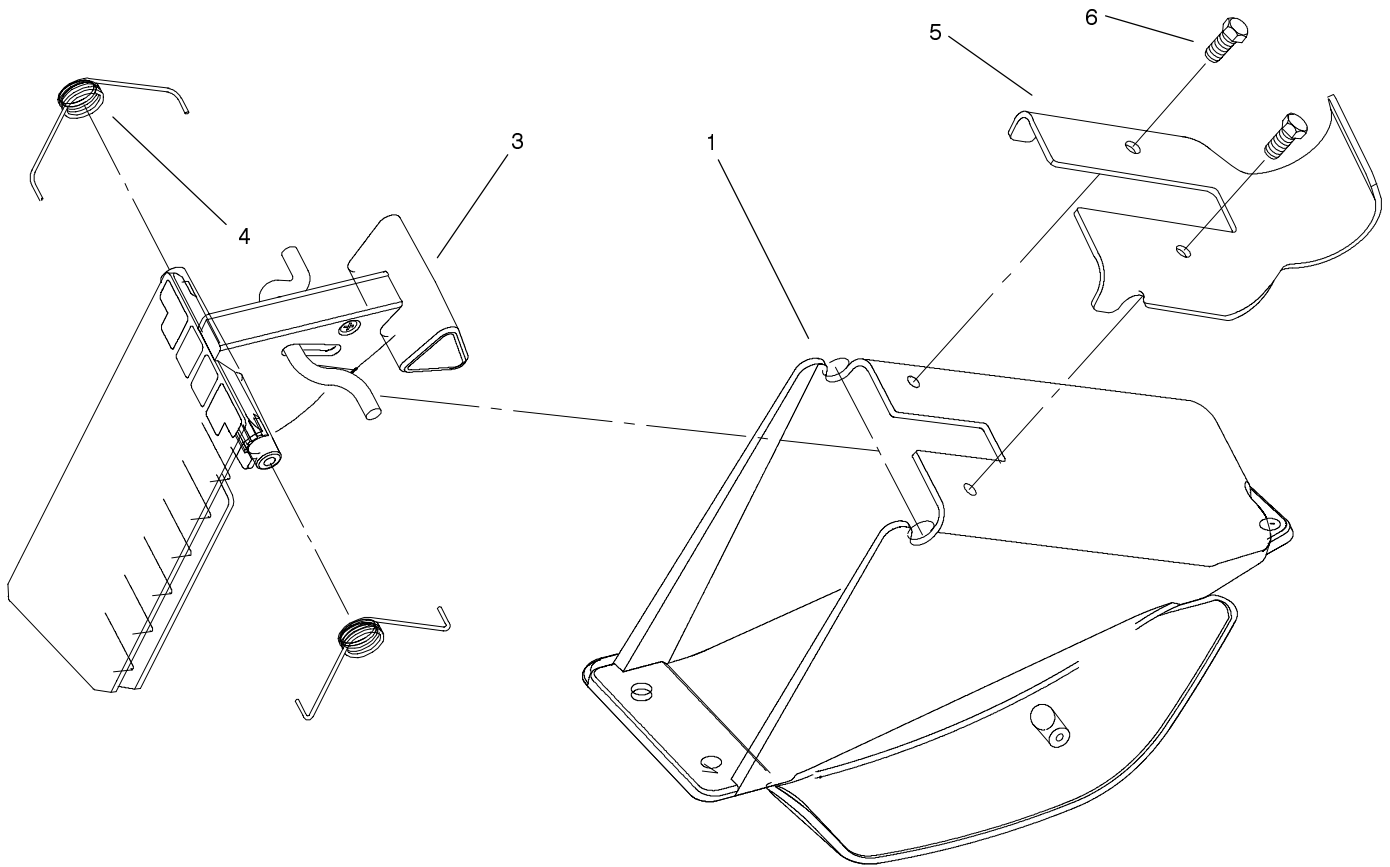
Sheet No.:1

Discharge Door Assembly (Model 20021 only)

| Ref. No. | Part No. | Qty. | Description |
|----------|----------|------|---------------------------|
| 1 | 32144-32 | 2 | Screw |
| 2 | 33-0441 | 1 | Door Cover |
| 3 | 33-0450 | 1 | Spring-Compression, Latch |
| 4 | 88-1800 | 1 | Latch-Door |
| 5 | 93-0264 | 1 | Door - Discharge |
| * | 93-0273 | 1 | ASM - Discharge Door |

| Ref. No. | Part No. | Qty. | Description |
|----------|----------|------|-------------|
| | | | |
| | | | |
| | | | |
| | | | |
| | | | |

* Not illustrated



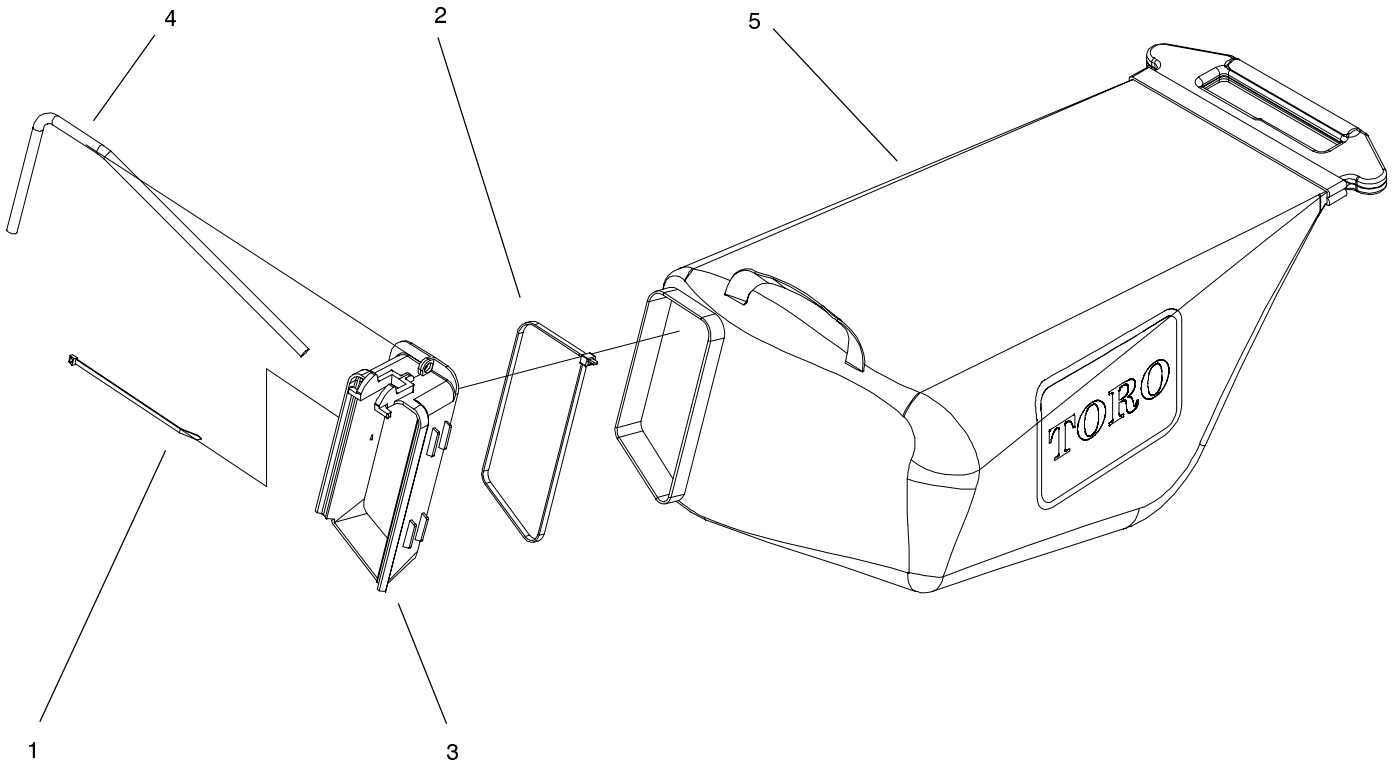
Sheet No.:1A

Discharge Chute Assembly (Model 20021 only)

| Ref. No. | Part No. | Qty. | Description |
|----------|-------------|------|-----------------------|
| 1 | 93-0263 | 1 | Chute - Discharge |
| 3 | 93-0273 | 1 | ASM - Discharge Door |
| 4 | 88-1090 | 2 | Spring-Door, RH |
| 5 | 100-1190-03 | 1 | Plate-Discharge Chute |
| 6 | 46-8090 | 2 | Screw-Plastite |
| * | 93-0274 | 1 | ASM - Discharge Chute |

| Ref. No. | Part No. | Qty. | Description |
|----------|----------|------|-------------|
| | | | |
| | | | |
| | | | |
| | | | |
| | | | |

* Not illustrated



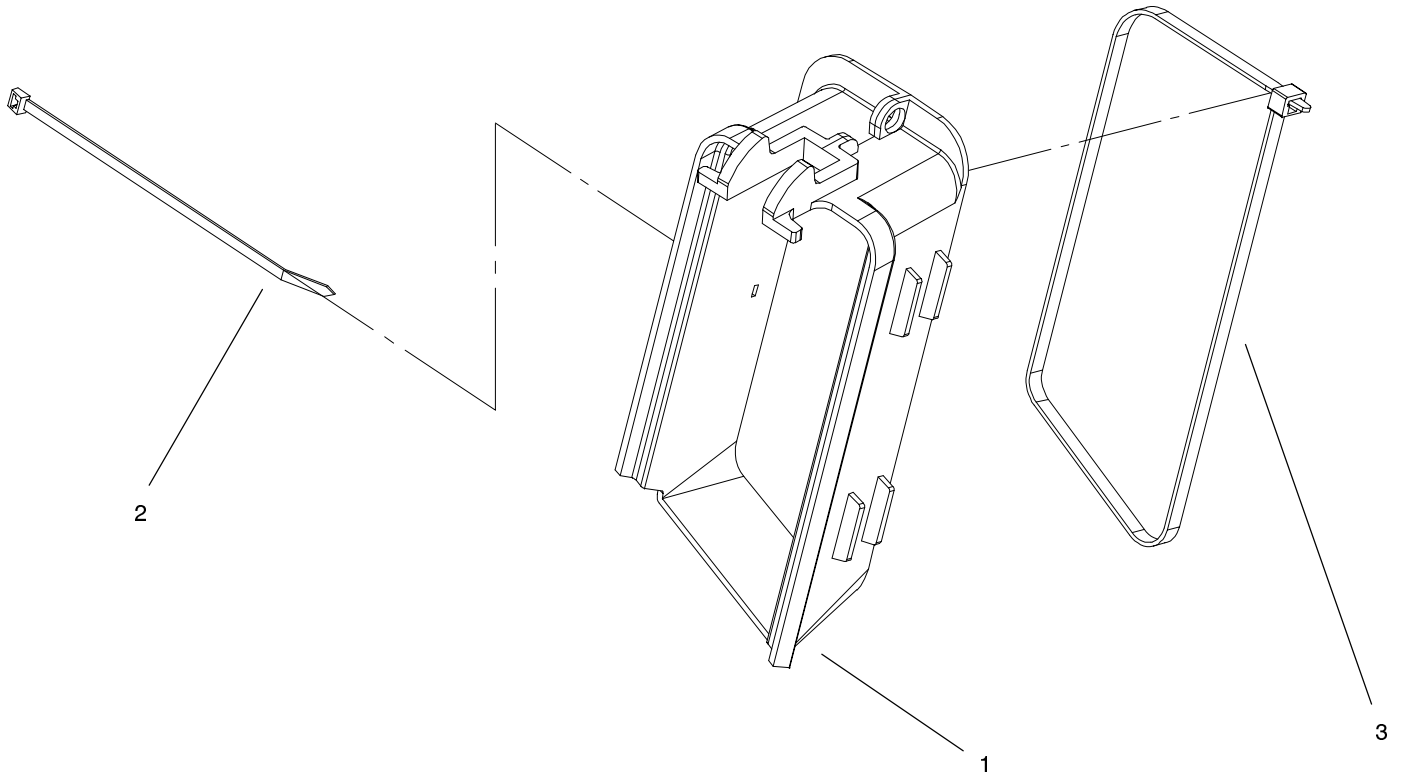
Sheet No.:1B

Grass Bag Assembly (Model 20021 only)

| Ref. No. | Part No. | Qty. | Description |
|----------|------------|------|-------------------|
| 1 | 614249 | 4 | Tie-Strap |
| 2 | 614700 | 1 | Tie Strap |
| ☆3 | | 1 | Chute-Bag, Inlet |
| 4 | 98-2693-03 | 1 | Wire-Support, Bag |
| ☆5 | | 1 | Bag-Grass, Ts |
| * | 98-2699 | 1 | Grass Bag ASM |

| Ref. No. | Part No. | Qty. | Description |
|----------|----------|------|-------------|
| | | | |
| | | | |
| | | | |
| | | | |
| | | | |
| | | | |
| | | | |
| | | | |
| | | | |
| | | | |

☆ Not serviced
 * Not illustrated



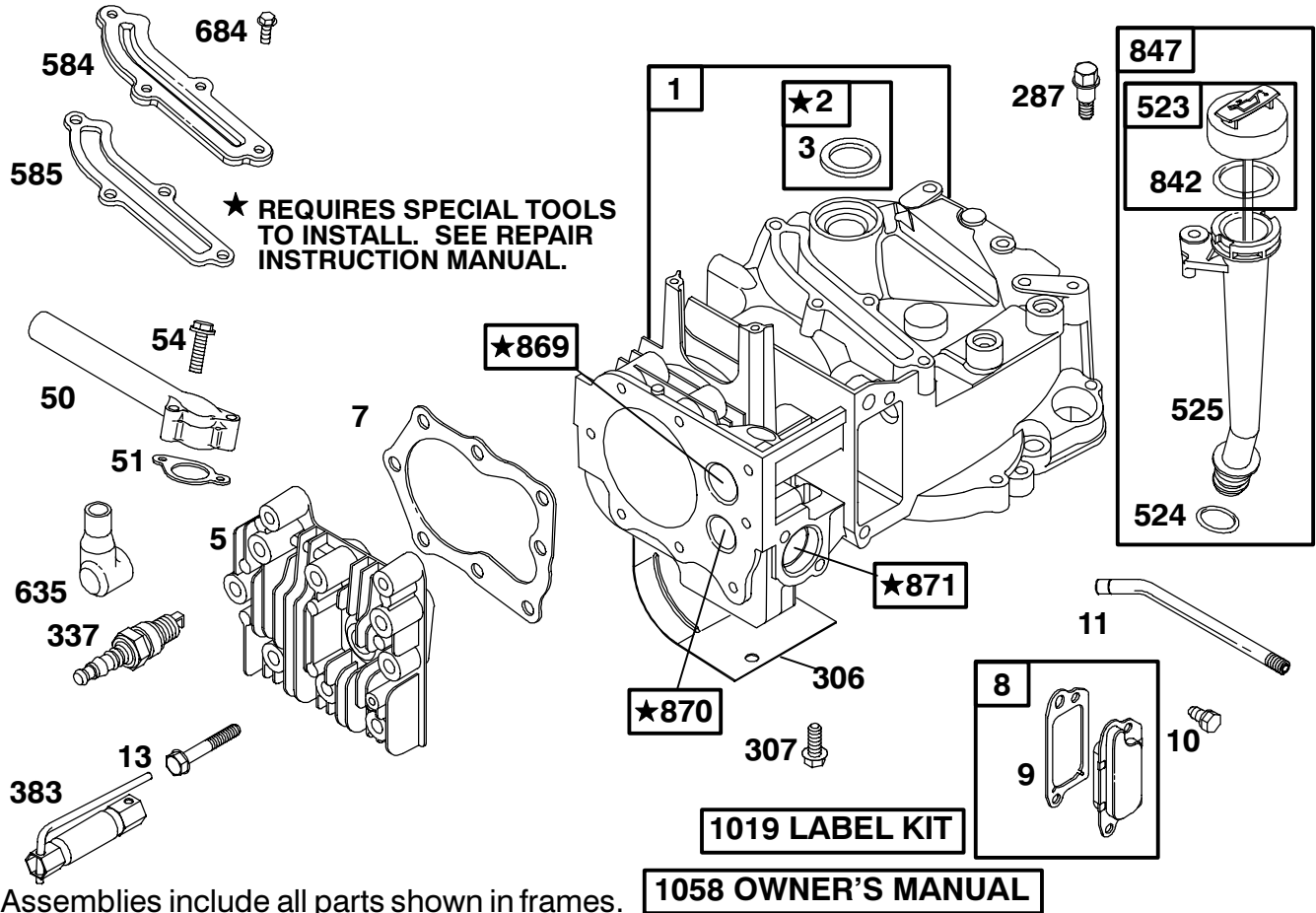
Sheet No.:1C

Bag Chute Assembly (Model 20021 only)

| Ref. No. | Part No. | Qty. | Description |
|----------|----------|------|------------------|
| ☆1 | | 1 | Chute-Bag, Inlet |
| 2 | 614249 | 4 | Tie-Strap |
| 3 | 614700 | 1 | Tie Strap |
| * | 104-7951 | 1 | Bag Chute ASM |

| Ref. No. | Part No. | Qty. | Description |
|----------|----------|------|-------------|
| | | | |
| | | | |
| | | | |
| | | | |

☆ Not serviced
 * Not illustrated



Assemblies include all parts shown in frames.

ENGINE BRIGGS & STRATTON MODEL 12H802-1776-B1

| Ref. No. | Part No. | Qty. | Description |
|----------|----------|------|---------------------------------|
| 1 | 493260 | 1 | Cylinder Assembly |
| 2 | 399269 | 1 | Bearing/Seal Kit (Magneto Side) |
| ★3 | 299819 | 1 | Oil Seal (Magneto Side) |
| 5 | 691160 | 1 | Cylinder Head |
| Δ★7 | 692249 | 1 | Cylinder Head Gasket |
| 8 | 695250 | 1 | Breather Assembly |
| Δ★9 | 272481 | 1 | Breather Gasket |
| 10 | 691125 | 1 | Screw (Breather Assembly) |
| 11 | 691781 | 1 | Breather Tube |
| 13 | 690912 | 1 | Screw (Cylinder Head) |
| 50 | 497465 | 1 | Intake Manifold |
| ★51 | 272199 | 1 | Intake Gasket |
| 54 | 691650 | 1 | Screw (Intake Manifold) |
| 287 | 690940 | 1 | Screw (Dipstick Tube) |
| 306 | 690450 | 1 | Cylinder Shield |
| 307 | 690345 | 1 | Screw (Cylinder Shield) |
| 337 | 802592 | 1 | Sparkplug |
| 383 | 89838 | 1 | Sparkplug Wrench |
| 523 | 495264 | 1 | Dipstick |
| ★524 | 692296 | 1 | Dipstick Tube Seal |
| 525 | 495265 | 1 | Dipstick Tube |

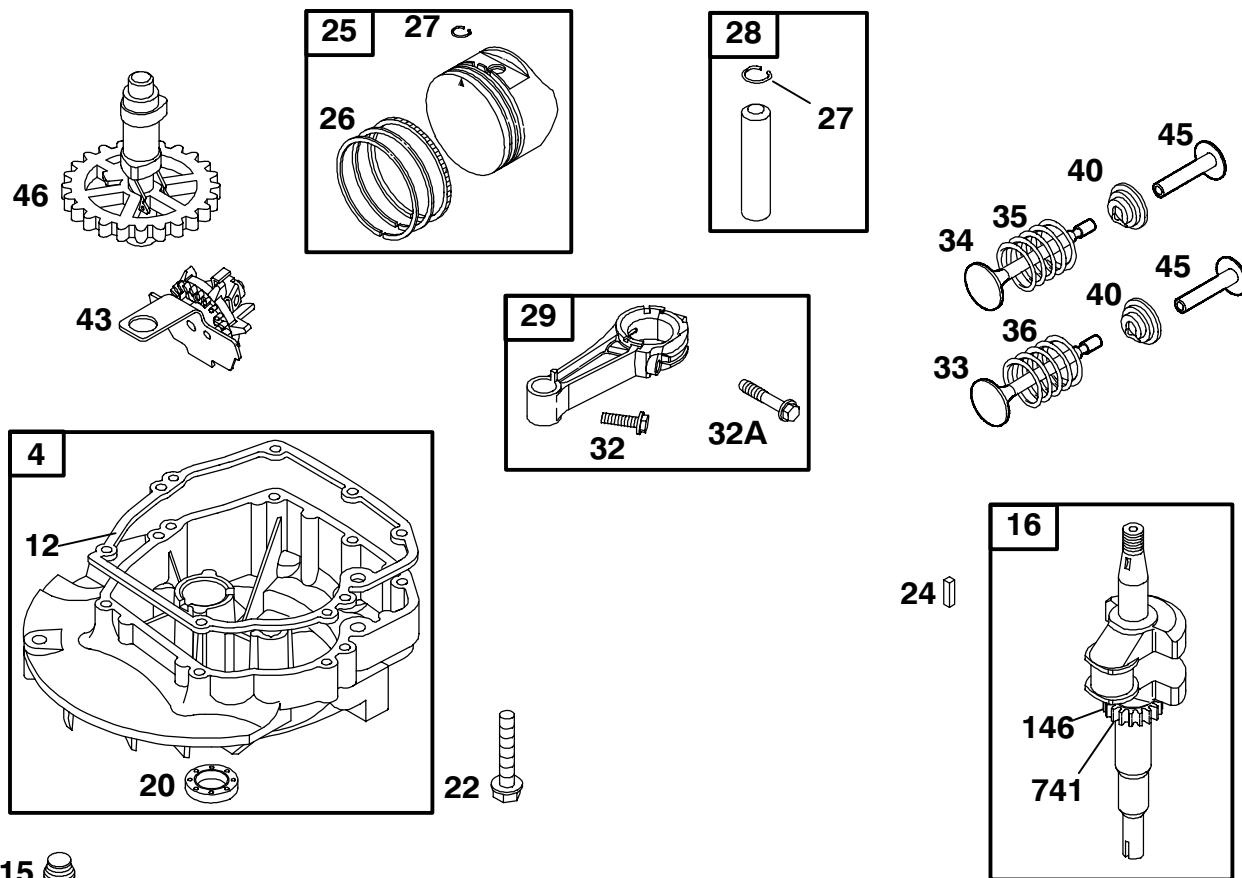
| Ref. No. | Part No. | Qty. | Description |
|----------|----------|------|--------------------------------|
| 584 | 692342 | 1 | Breather Passage Cover |
| ★585 | 691879 | 1 | Breather Passage Gasket |
| 635 | 66538 | 1 | Sparkplug Boot |
| 684 | 690345 | 1 | Screw (Breather Passage Cover) |
| ★842 | 691031 | 1 | O Ring Seal (Dipstick Tube) |
| 847 | 692017 | 1 | Dipstick/Tube Assembly |
| 869 | 691155 | 1 | Valve Seat (Intake) |
| 870 | 690380 | 1 | Valve Seat (Exhaust) |
| 871 | 262001 | 1 | Guide Bushing (Exhaust) |
| | 63709 | 1 | Guide Bushing (Intake) |
| 1019 | 494256 | 1 | Label Kit |
| 1058 | 274783 | 1 | Owner's Manual |

Δ Included in Valve Gasket Set-Ref. 1095.

★ Included in Engine Gasket Set-Ref. 358.

● Included in Carburetor Overhaul Kit-Ref. 121.

◆ Included in Carburetor Gasket Set-Ref. 977



Assemblies include all parts shown in frames.

ENGINE BRIGGS & STRATTON MODEL 12H802-1776-B1

| Ref. No. | Part No. | Qty. | Description |
|----------|----------|------|----------------------------------|
| 4 | 493279 | 1 | Engine Sump |
| ★12 | 692232 | 1 | Crankcase Gasket |
| 15 | 691680 | 1 | Oil Drain Plug |
| 16 | 696009 | 1 | Crankshaft |
| ★20 | 399781 | 1 | Oil Seal (PTO Side) |
| 22 | 691092 | 1 | Screw (Engine Sump) |
| 24 | 222698 | 1 | Flywheel Key |
| 25 | 499429 | 1 | Piston Assembly (Standard) |
| | 499430 | 1 | Piston Assembly (.010" Oversize) |
| | 499431 | 1 | Piston Assembly (.020" Oversize) |
| | 499432 | 1 | Piston Assembly (.030" Oversize) |
| 26 | 499425 | 1 | Ring Set (Standard) |
| | 499426 | 1 | Ring Set (.010" Oversize) |
| | 499427 | 1 | Ring Set (.020" Oversize) |
| | 499428 | 1 | Ring Set (.030" Oversize) |
| 27 | 691866 | 1 | Piston Pin Lock |
| 28 | 499423 | 1 | Piston Pin (Standard) |
| | 298908 | 1 | Piston Pin (.005" O.S.) |

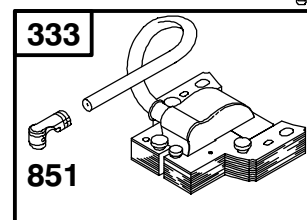
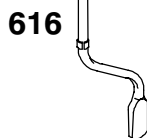
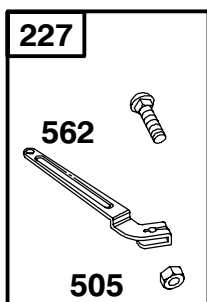
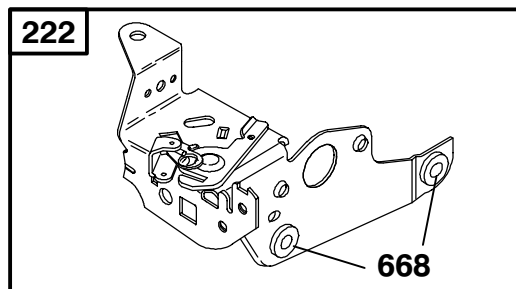
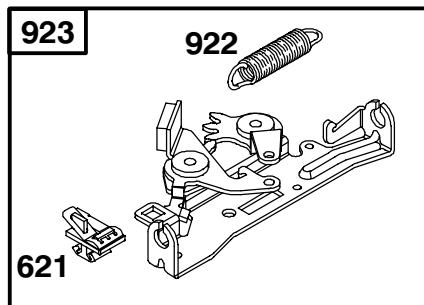
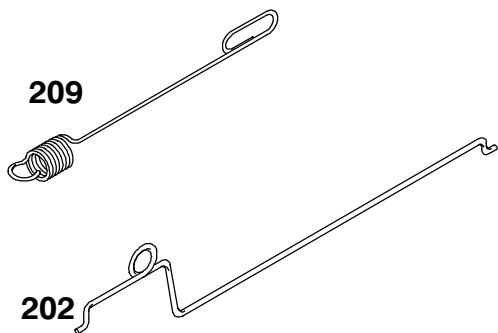
| Ref. No. | Part No. | Qty. | Description |
|----------|----------|------|---------------------------|
| 29 | 499424 | 1 | Connecting Rod (Standard) |
| 32 | 691664 | 1 | Screw (Connecting Rod) |
| 32A | 695759 | 1 | Screw (Connecting Rod) |
| 33 | 262651 | 1 | Exhaust Valve |
| 34 | 262652 | 1 | Intake Valve |
| 35 | 691270 | 1 | Valve Spring (Intake) |
| 36 | 691270 | 1 | Valve Spring (Exhaust) |
| 40 | 692194 | 1 | Valve Retainer |
| 43 | 691997 | 1 | Governor/Oil Slinger |
| 45 | 690548 | 1 | Valve Keeper |
| 46 | 691449 | 1 | Camshaft |
| 146 | 690979 | 1 | Timing Key |
| 741 | 691830 | 1 | Timing Gear |

△ Included in Valve Gasket Set-Ref. 1095.

★ Included in Engine Gasket Set-Ref. 358.

● Included in Carburetor Overhaul Kit-Ref. 121.

◆ Included in Carburetor Gasket Set-Ref. 977.



Assemblies include all parts shown in frames.

ENGINE BRIGGS & STRATTON MODEL 12H802-1776-B1

| Ref. No. | Part No. | Qty. | Description |
|----------|----------|------|--------------------------------|
| 188 | 690877 | 1 | Screw (Control Bracket) |
| 202 | 691829 | 1 | Mechanical Governor Link |
| 209 | 691292 | 1 | Governor Spring |
| 222 | 692467 | 1 | Control Bracket |
| 227 | 690783 | 1 | Governor Control Lever |
| 333 | 802574 | 1 | Magneto Armature |
| 334 | 691061 | 1 | Screw (Magneto Armature) |
| 404 | 690272 | 1 | Washer (Governor Crank) |
| 505 | 231082 | 1 | Nut (Governor Control Lever) |
| 562 | 92613 | 1 | Screw (Governor Control Lever) |
| 615 | 690340 | 1 | Governor Shaft Retainer |
| 616 | 691306 | 1 | Governor Crank |
| 621 | 692310 | 1 | Stop Switch |
| ★668 | 493823 | 1 | Spacer (Includes 2) |
| 745 | 691648 | 1 | Screw (Brake) |
| 851 | 493880 | 1 | Sparkplug Terminal |
| 922 | 691831 | 1 | Brake Spring |

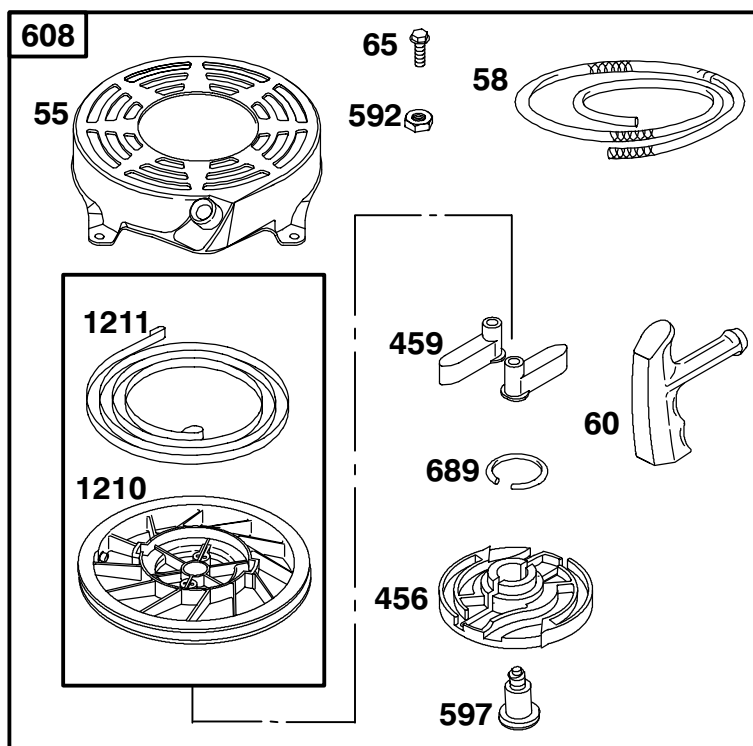
| Ref. No. | Part No. | Qty. | Description |
|----------|----------|------|-------------|
| 923 | 691994 | 1 | Brake |

△ Included in Valve Gasket Set-Ref. 1095.

★ Included in Engine Gasket Set-Ref. 358.

● Included in Carburetor Overhaul Kit-Ref. 121.

◆ Included in Carburetor Gasket Set-Ref. 977.



Assemblies include all parts shown in frames.

ENGINE BRIGGS & STRATTON MODEL 12H802-1776-B1

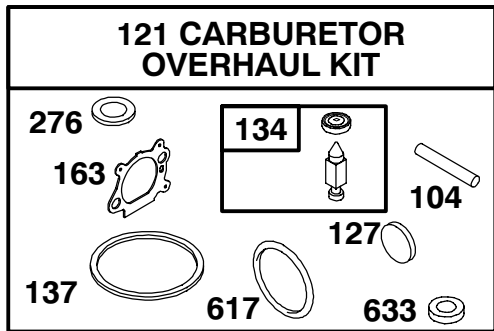
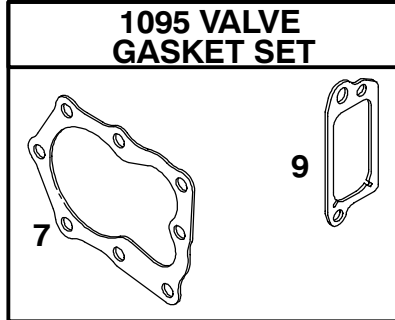
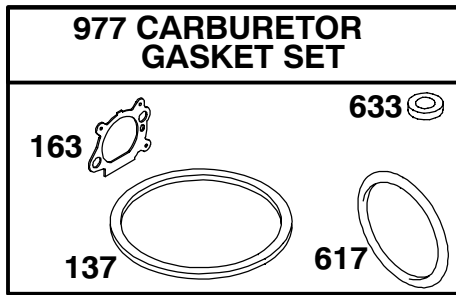
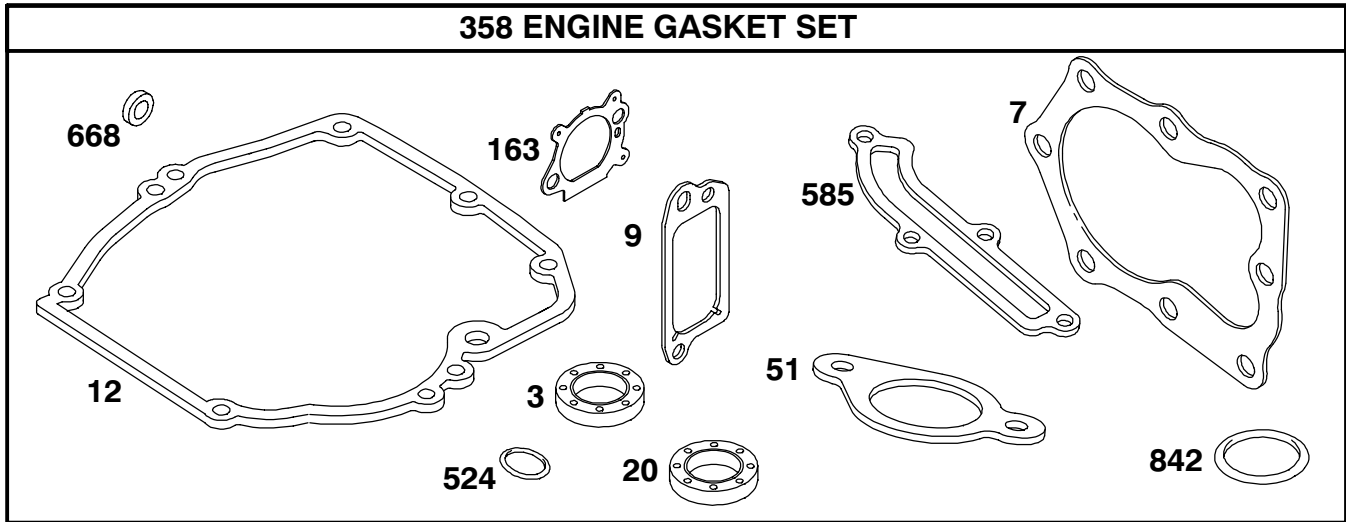
| Ref. No. | Part No. | Qty. | Description | Ref. No. | Part No. | Qty. | Description |
|----------|----------|------|---------------------------------|----------|----------|------|-------------|
| 55 | 691421 | 1 | Rewind Starter Housing | | | | |
| 58 | 280399 | 1 | Starter Rope | | | | |
| 60 | 281434 | 1 | Starter Rope Grip | | | | |
| 65 | 690837 | 1 | Screw (Rewind Starter) | | | | |
| 456 | 692299 | 1 | Pawl Friction Plate | | | | |
| 459 | 281505 | 1 | Pawl Ratchet | | | | |
| 592 | 690800 | 1 | Nut (Rewind Starter) | | | | |
| 597 | 691696 | 1 | Screw (Pawl Friction Plate) | | | | |
| 608 | 497680 | 1 | Rewind Starter | | | | |
| 689 | 691855 | 1 | Friction Spring | | | | |
| 1210 | 498144 | 1 | Pulley/Spring Assembly (Pulley) | | | | |
| 1211 | 498144 | 1 | Pulley/Spring Assembly (Spring) | | | | |

△ Included in Valve Overhaul Set-Ref. 1095.

★ Included in Engine Gasket Set-Ref. 358.

● Included in Carburetor Overhaul Kit-Ref. 121.

◆ Included in Carburetor Gasket Set-Ref. 977.



Assemblies include all parts shown in frames.

ENGINE BRIGGS & STRATTON MODEL 12H802-1776-B1

| Ref. No. | Part No. | Qty. | Description |
|----------|----------|------|-------------------------------|
| ★3 | 299819 | 1 | Oil Seal (Magneto Side) |
| Δ★7 | 692249 | 1 | Cylinder Head Gasket |
| Δ★9 | 272481 | 1 | Breather Gasket |
| ★12 | 692232 | 1 | Crankcase Gasket |
| ★20 | 399781 | 1 | Oil Seal (PTO Side) |
| ★51 | 272199 | 1 | Intake Gasket |
| ●104 | 691242 | 1 | Float Hinge Pin |
| 121 | 498260 | 1 | Carburetor Overhaul Kit |
| ●127 | 694468 | 1 | Welch Plug |
| ●134 | 398188 | 1 | Needle/Seat Kit |
| ●◆137 | 693981 | 1 | Float Bowl Gasket |
| ★●◆163 | 272653 | 1 | Air Cleaner Gasket |
| ●276 | 271716 | 1 | Sealing Washer |
| 358 | 497316 | 1 | Engine Gasket Set |
| ★524 | 692296 | 1 | Dipstick Tube Seal |
| ★585 | 691879 | 1 | Breather Passage Gasket |
| ●◆617 | 270344 | 1 | O Ring Seal (Intake Manifold) |
| ●◆633 | 691321 | 1 | Choke Throttle Shaft Seal |
| ★668 | 493823 | 1 | Spacer (Includes 2) |

| Ref. No. | Part No. | Qty. | Description |
|----------|----------|------|-----------------------------|
| ★842 | 691031 | 1 | O Ring Seal (Dipstick Tube) |
| 977 | 498261 | 1 | Carburetor Gasket Set |
| 1095 | 498528 | 1 | Valve Gasket Set |

Δ Included in Valve Gasket Set-Ref. 1095.

★ Included in Engine Gasket Set-Ref. 358.

● Included in Carburetor Overhaul Kit-Ref. 121.

◆ Included in Carburetor Gasket Set-Ref. 977.

