



Super Recycler[®]

Mower

Model No. 20042-21000001 and Up

Model No. 20043-21000001 and Up

Parts Catalog

Ordering Replacement Parts

To order replacement parts, please supply: the part number, the quantity, and the description of each part desired.

Understanding Reference Numbers

Each identified part in an illustration has a reference number. The reference number for a part also appears in the parts list, along with other information about the part.

This catalog uses two special reference number formats, one to indicate parts in a service assembly and another to indicate the quantity of a given part in an illustration.

Service Assembly Reference Numbers

Parts in service assemblies have reference numbers in the form **a:b**. The **a** represents the reference number of the entire service assembly and the **b** represents a sequential number unique to each part within the service assembly.

For example, a wheel assembly might be identified by reference number **6**, the tire by **6:1**, the valve by **6:2**, and the wheel by **6:3**. When you order the assembly identified by reference number **6**, you receive all parts identified by reference numbers **6:1**, **6:2**, and **6:3**. However, you may also order any part individually.

Reference numbers of this type appear in illustrations and in part lists.

Reference Numbers Indicating Quantity

In an illustration, if a reference number indicates more than one part, the reference number has the form **nX y**. The **n** represents the quantity of the part, the **X** is the multiplication symbol, and the **y** represents the reference number.

For example, in an illustration, the reference number **2X 37** means that two of the parts identified by reference number **37** are indicated.

Contents

Description	Page	Description	Page
Housing, Handle Brackets, and Wheel Assembly	3	ENGINE BRIGGS & STRATTON MODEL	
Gear Case Assembly	4	12H802-1776-B1	13
Gear Case Assembly	5	ENGINE BRIGGS & STRATTON MODEL	
Engine and Blade Assembly	6	12H802-1776-B1	14
Handle and Controls Assembly	7	ENGINE BRIGGS & STRATTON MODEL	
Rear Bagging Discharge Chute Assembly	8	12H802-1776-B1	15
Rear Bagger Assembly 11-0189	9	ENGINE BRIGGS & STRATTON MODEL	
ENGINE BRIGGS & STRATTON MODEL		12H802-1776-B1	16
12H802-1776-B1	10	ENGINE BRIGGS & STRATTON MODEL	
ENGINE BRIGGS & STRATTON MODEL		12H802-1776-B1	17
12H802-1776-B1	11	ENGINE BRIGGS & STRATTON MODEL	
ENGINE BRIGGS & STRATTON MODEL		12H802-1776-B1	18
12H802-1776-B1	12		

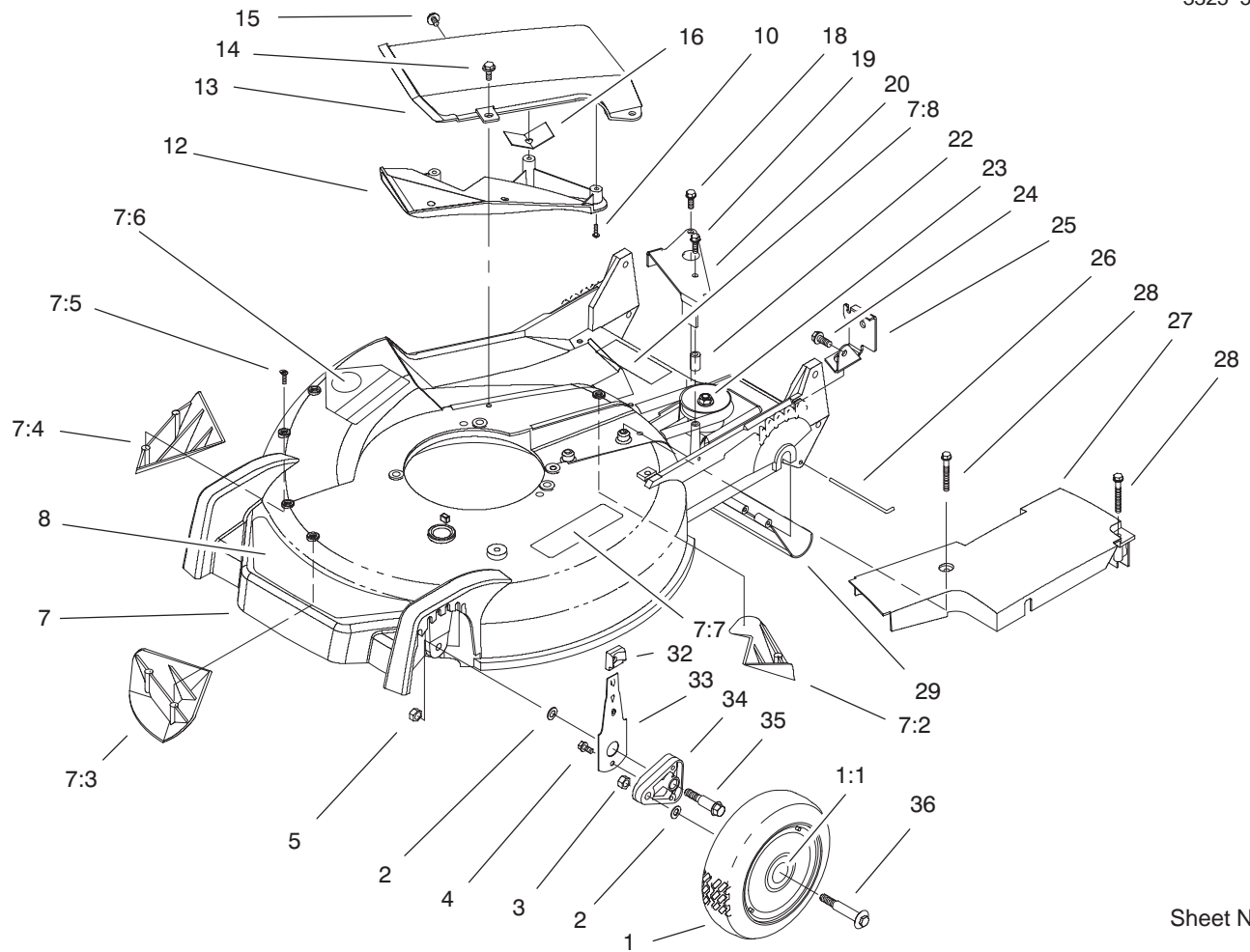
Accessories

Description	Model / Part No.	Description	Model / Part No.
.. Recycler Side Discharge Kit	59197	.. Recycler Bagging Kit	59195
.. Dethatcher Kit	59131	.. Traction Assist Handle Kit	59196

Part Description Abbreviations

Part descriptions in this catalog may include the following abbreviations.

Abbreviation	Meaning	Abbreviation	Meaning
AR	as required	HYD	hydraulic
ASM	assembly	INC	incorporated
CARR	carriage	LH	left hand
DEG	degrees	NI	nylon insert
FH	flat head	PPH	Phillips pan head
GA	gauge	PTH	Phillips truss head
HF	hex flange	PTO	power take off
HH	hex head	RH	right hand
HHF	hex head flange	SFH	slotted fillister head
HLH	hex lag head	SHH	slotted hex head
HJ	hex jam	SQH	square head
HOC	height-of-cut	SHWH	slotted hex washer head
HS	hex socket	SPH	slotted pan head
HSBH	hex socket button head	SRH	slotted round head
HSFH	hex socket flat head	STD	standard
HSH	hex socket head	TAP	self tapping
HWH	hex washer head	TTH	Torx truss head
HWHTF	hex washer head thread forming	WH	wing head

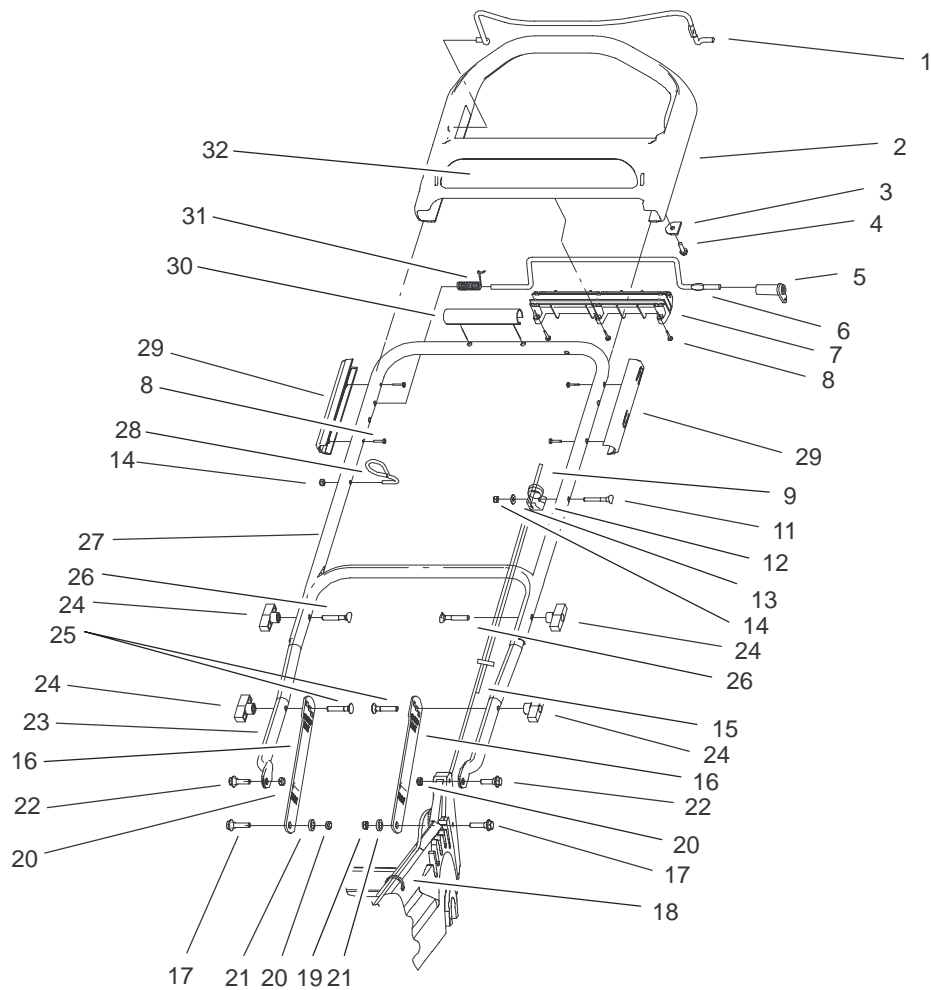


Sheet No.:2

Housing, Handle Brackets, and Wheel Assembly

Ref. No.	Part No.	Qty.	Description
1	98-7130	2	Wheel ASM
1:1	27-6250	2	Bushing
2	40-1940	4	Washer
3	603773	2	Nut
4	32144-85	2	Screw-HH
5	3296-6	2	Nut-Lock, NI
7	98-7148	1	Housing - Service
7:2	92-1750	1	Kicker-Rear
7:3	92-1720	1	Kicker-Front
7:4	92-1730	1	Kicker-RH
7:5	32144-111	6	Screw-PPH
7:6	43-8480	1	Decal-Danger
7:7	93-0248	1	Decal - Warning
7:8	99-6018	1	Decal - Warning
8	99-6010	1	Decal - Deck
12	82-8620	1	Deflector (only on: 20042)
13	100-8775	1	Recycler Cover ASM (only on: 20042)
13:2	32144-111	5	Screw-PPH (only on: 20042)
14	46-6811	3	Screw-HWH (only on: 20042)
15	46-6810	1	Screw & Washer ASM (only on: 20042)

Ref. No.	Part No.	Qty.	Description
16	83-4750	1	Cover Guard (only on: 20042)
18	49-2040	1	Screw-Tapping
19	92-1616	1	Screw-HWHTF
20	99-1513-03	1	Bracket-Transmission Actuator
22	614673	1	Bushing-Plate, Actuator
23	104-7674	1	Gear Case ASM
24	32144-70	1	Screw-HH
25	99-1512-03	1	Bracket-Cable, Traction
26	33-3208	1	Rod-Shield
27	104-7906	1	Cover-Belt, Tc
28	37-7260	2	Screw-HH
29	44-0580	1	Shield-Trailing
32	25-7740	2	Knob-Arm
33	66-0541	2	Spring Arm ASM-Front
34	66-0580	2	Arm-Pivot, Front
35	66-0560	2	Bolt-Shoulder
36	92-1057	2	Bolt-Shoulder

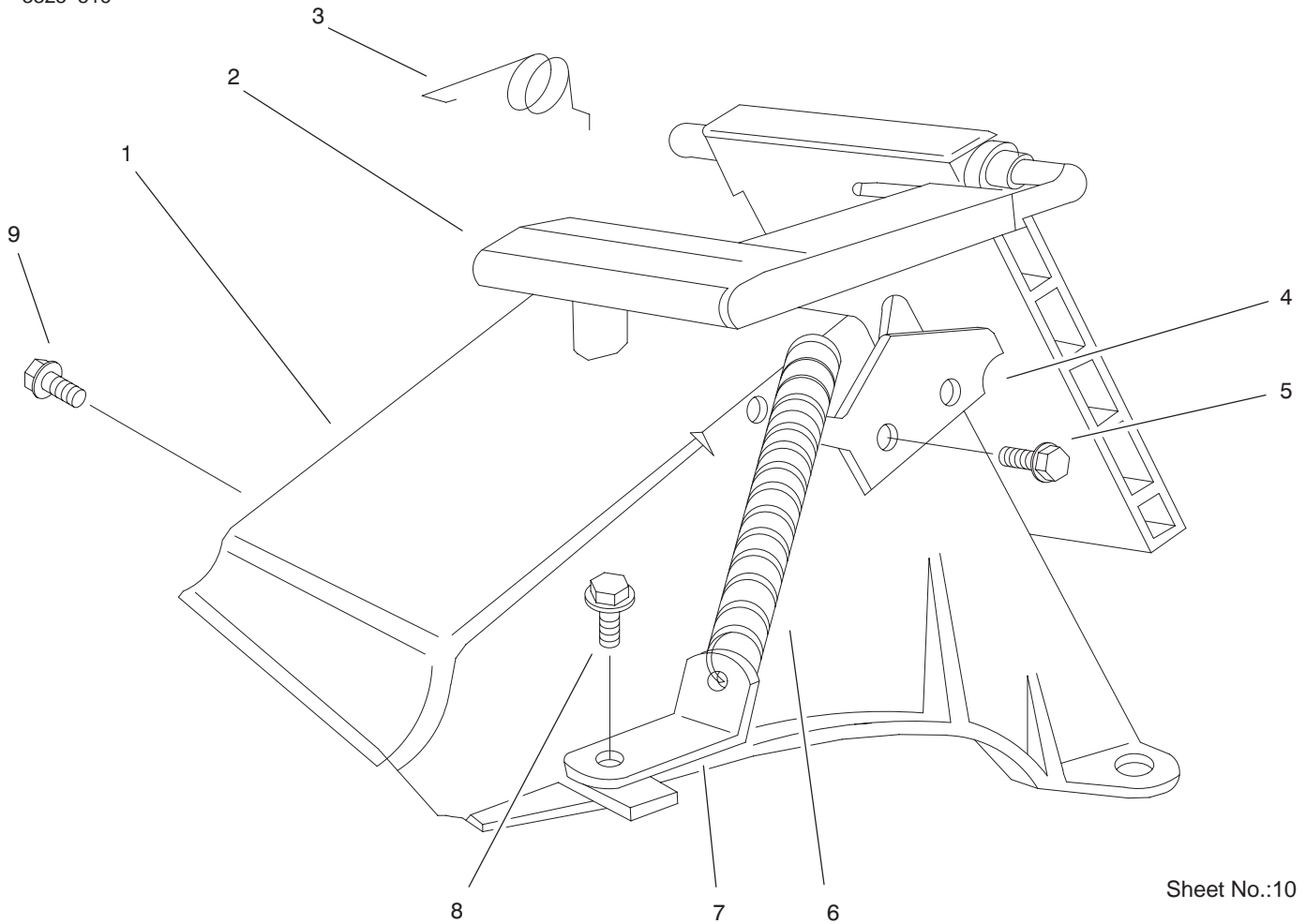


Sheet No.:8

Handle and Controls Assembly

Ref. No.	Part No.	Qty.	Description
1	99-1593-03	1	Bail-Brake
2	99-1582	1	Handle-Control
3	99-1595	1	Retainer-Cable, Brake
4	46-8091	1	Screw-HWH
5	99-1589	1	Lever-Traction
6	99-1588	1	Bar-Control, Traction
7	99-6008	1	Retainer-Control Rod, Traction
8	94-4496	10	Screw-PPH
9	100-1186	1	Cable-Brake
11	95-4453	1	Screw-Handle
12	99-5239	1	Anchor-Cable
13	3256-1	1	Washer-Flat
14	3296-73	2	Nut-Lock, NI
15	99-1584	1	Cable-Traction
16	99-5248-03	2	Latch-Handle
17	27-7210	2	Screw-Shoulder
18	100-2894	1	Tie-Cable
19	3296-47	1	Nut-Lock, NI
20	3296-72	3	Nut-Lock, NI
21	3-3287	2	Spacer-Latch, Handle
22	27-7211	2	Screw-Shoulder
23	99-5249-05	1	Handle-Lower
24	98-7134	4	Knob-Handle
25	99-6019	2	Screw-CARR
26	92-2260	2	Screw-Handle

Ref. No.	Part No.	Qty.	Description
27	99-1596-05	1	Handle-Upper
28	86-9671	1	Guide-Rope
29	99-1590	2	Guide-Handle, Control
30	99-6339	1	Cover-Handle
31	99-1592	1	Spring-Torsion, RH
32	99-6009	1	Decal - Console



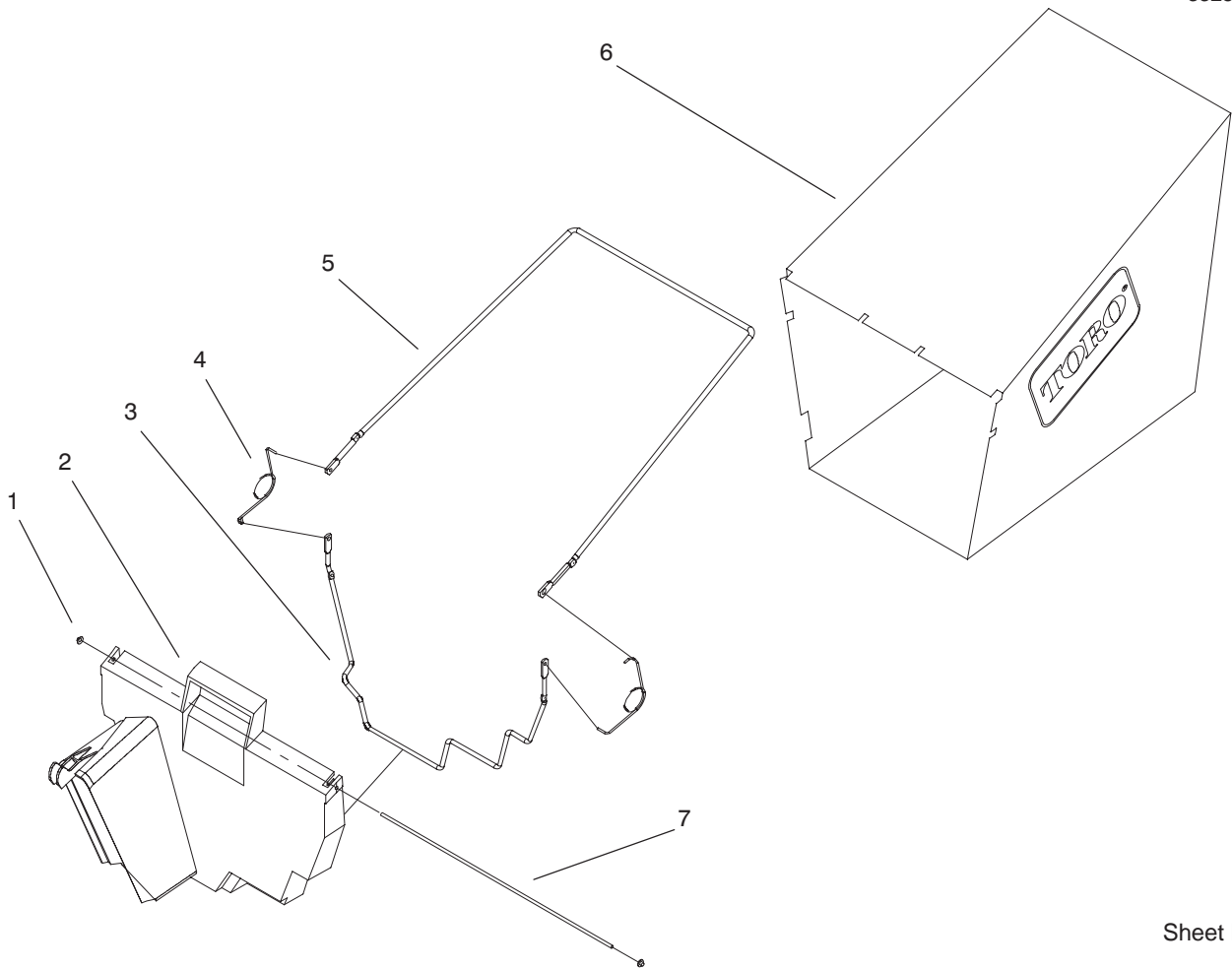
Sheet No.:10

Rear Bagging Discharge Chute Assembly

Ref. No.	Part No.	Qty.	Description
1	82-9153	1	Discharge Tunnel (only on: 20043)
2	93-7351	1	Discharge Door ASM (only on: 20043)
3	76-4660	1	Spring-Door (only on: 20043)
4	93-3154	1	Latch-Plate (only on: 20043)
5	46-8090	2	Screw-Plastite (only on: 20043)
6	80-3770	1	Retainer-Door (only on: 20043)
7	71-9350	1	Bracket-Spring (only on: 20043)
8	46-6811	3	Screw-HWH (only on: 20043)
9	46-6810	1	Screw & Washer ASM (only on: 20043)
*	77-0500	1	Discharge Plug ASM (only on: 20043)
*	3295-35	1	Rivet-Head, Flat (only on: 20043)
*	76-2110	1	Plug-Discharge (only on: 20043)
*	76-4640	1	Latch-Plug, Discharge (only on: 20043)

Ref. No.	Part No.	Qty.	Description
*	76-4650	1	Grip-Latch (only on: 20043)

* Not illustrated

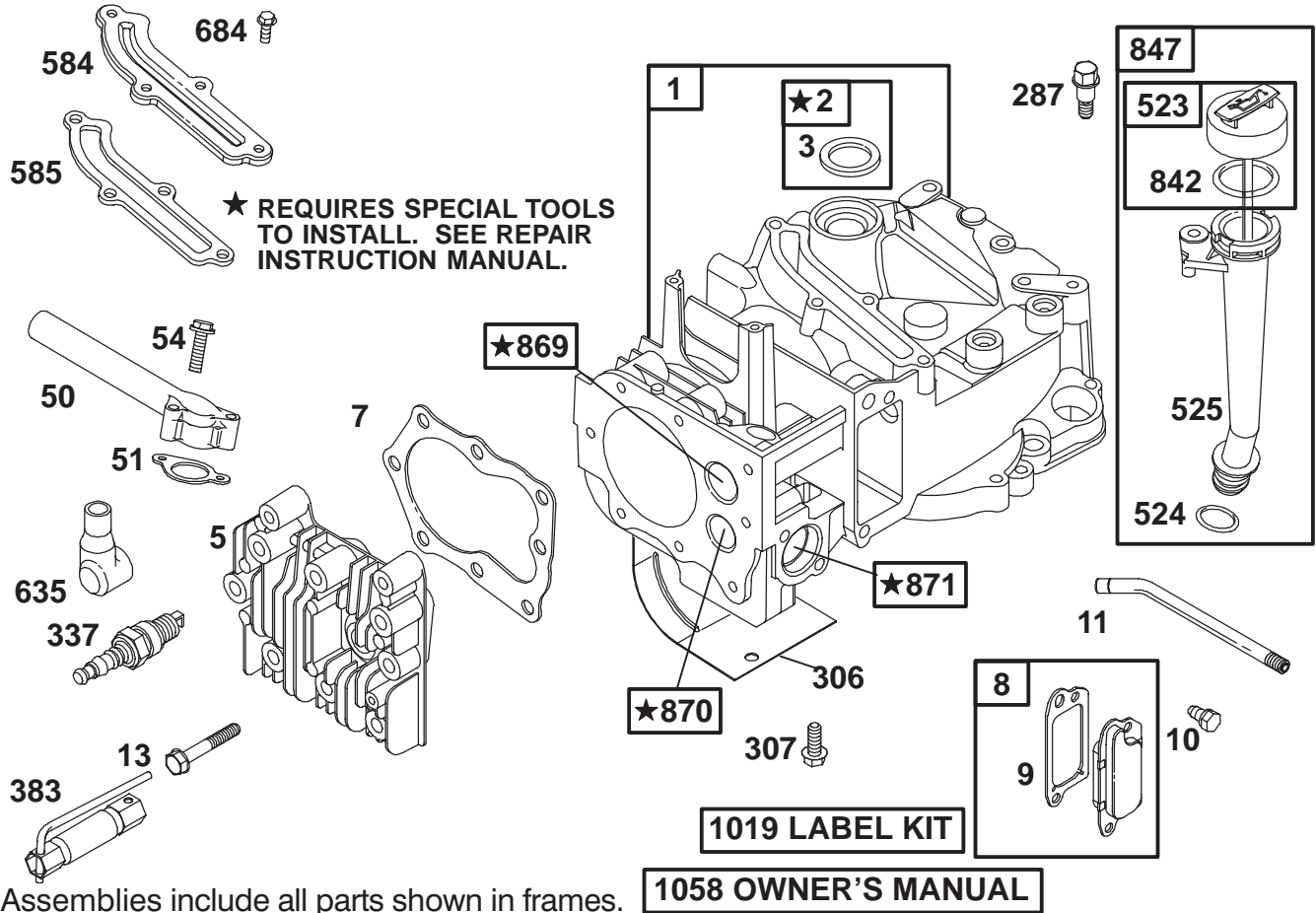


Sheet No.:11

Rear Bagger Assembly 11-0189

Ref. No.	Part No.	Qty.	Description
1	3290-422	2	Nut-Push (only on: 20043)
2	37-1393	1	Door-Bag (only on: 20043)
3	42-4020	1	Frame-Bag (only on: 20043)
4	36-6910	2	Spring (only on: 20043)
5	42-4030	1	Frame-Bag, Upper (only on: 20043)
6	44-0522	1	Bag-Grass (only on: 20043)
7	33-4820	1	Hinge-Door, Bag (only on: 20043)

Ref. No.	Part No.	Qty.	Description



Assemblies include all parts shown in frames.

1058 OWNER'S MANUAL

ENGINE BRIGGS & STRATTON MODEL 12H802-1776-B1

Ref. No.	Part No.	Qty.	Description
1	493260	1	Cylinder Assembly
2	399269	1	Bearing/Seal Kit (Magneto Side)
★3	299819	1	Oil Seal (Magneto Side)
5	691160	1	Cylinder Head
Δ★7	692249	1	Cylinder Head Gasket
8	695250	1	Breather Assembly
Δ★9	272481	1	Breather Gasket
10	691125	1	Screw (Breather Assembly)
11	691781	1	Breather Tube
13	690912	1	Screw (Cylinder Head)
50	497465	1	Intake Manifold
★51	272199	1	Intake Gasket
54	691650	1	Screw (Intake Manifold)
287	690940	1	Screw (Dipstick Tube)
306	690450	1	Cylinder Shield
307	690345	1	Screw (Cylinder Shield)
337	802592	1	Sparkplug
383	89838	1	Sparkplug Wrench
523	495264	1	Dipstick
★524	692296	1	Dipstick Tube Seal
525	495265	1	Dipstick Tube

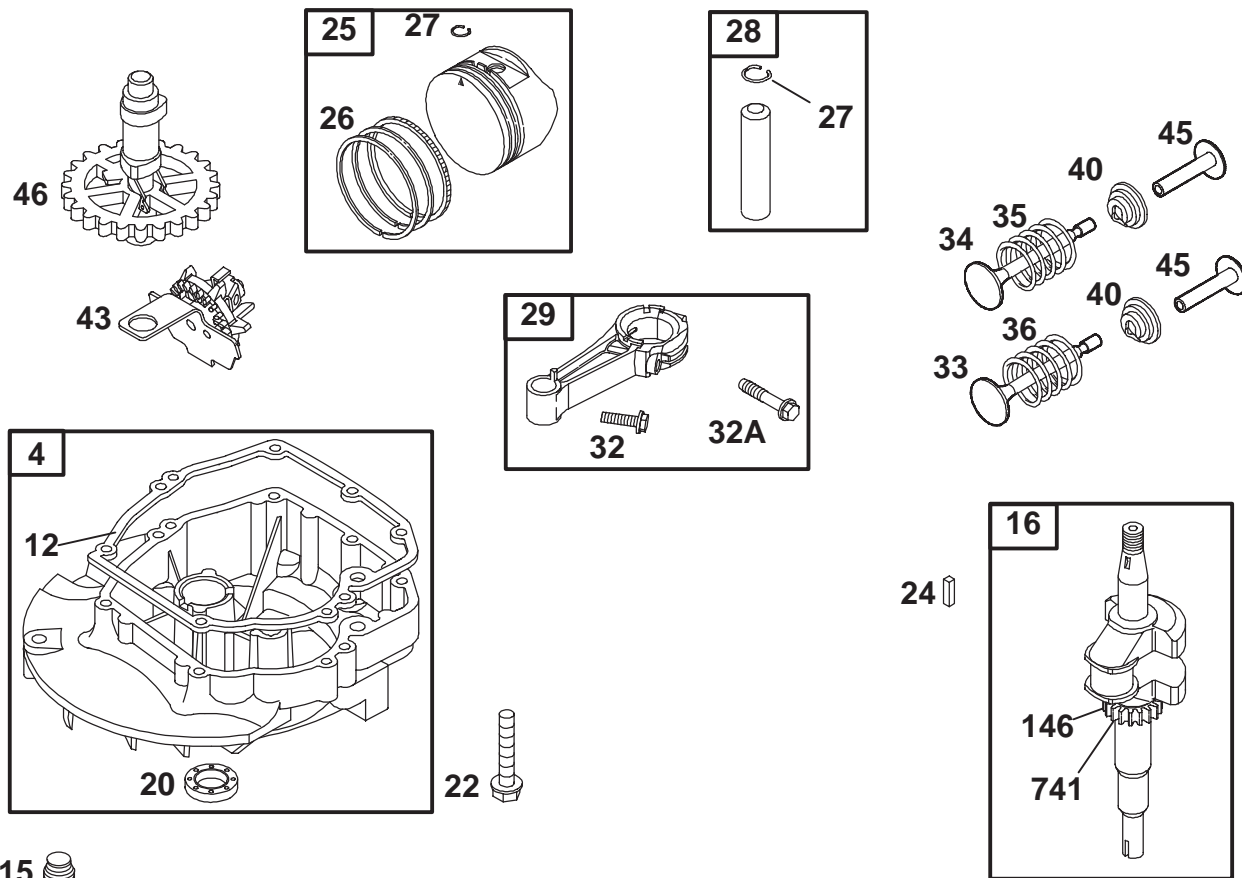
Ref. No.	Part No.	Qty.	Description
584	692342	1	Breather Passage Cover
★585	691879	1	Breather Passage Gasket
635	66538	1	Sparkplug Boot
684	690345	1	Screw (Breather Passage Cover)
★842	691031	1	O Ring Seal (Dipstick Tube)
847	692017	1	Dipstick/Tube Assembly
869	691155	1	Valve Seat (Intake)
870	690380	1	Valve Seat (Exhaust)
871	262001	1	Guide Bushing (Exhaust)
	63709	1	Guide Bushing (Intake)
1019	494256	1	Label Kit
1058	274783	1	Owner's Manual

Δ Included in Valve Gasket Set-Ref. 1095.

★ Included in Engine Gasket Set-Ref. 358.

● Included in Carburetor Overhaul Kit-Ref. 121.

◆ Included in Carburetor Gasket Set-Ref. 977



Assemblies include all parts shown in frames.

ENGINE BRIGGS & STRATTON MODEL 12H802-1776-B1

Ref. No.	Part No.	Qty.	Description
4	493279	1	Engine Sump
★12	692232	1	Crankcase Gasket
15	691680	1	Oil Drain Plug
16	696009	1	Crankshaft
★20	399781	1	Oil Seal (PTO Side)
22	691092	1	Screw (Engine Sump)
24	222698	1	Flywheel Key
25	499429	1	Piston Assembly (Standard)
	499430	1	Piston Assembly (.010" Oversize)
	499431	1	Piston Assembly (.020" Oversize)
	499432	1	Piston Assembly (.030" Oversize)
26	499425	1	Ring Set (Standard)
	499426	1	Ring Set (.010" Oversize)
	499427	1	Ring Set (.020" Oversize)
	499428	1	Ring Set (.030" Oversize)
27	691866	1	Piston Pin Lock
28	499423	1	Piston Pin (Standard)
	298908	1	Piston Pin (.005" O.S.)

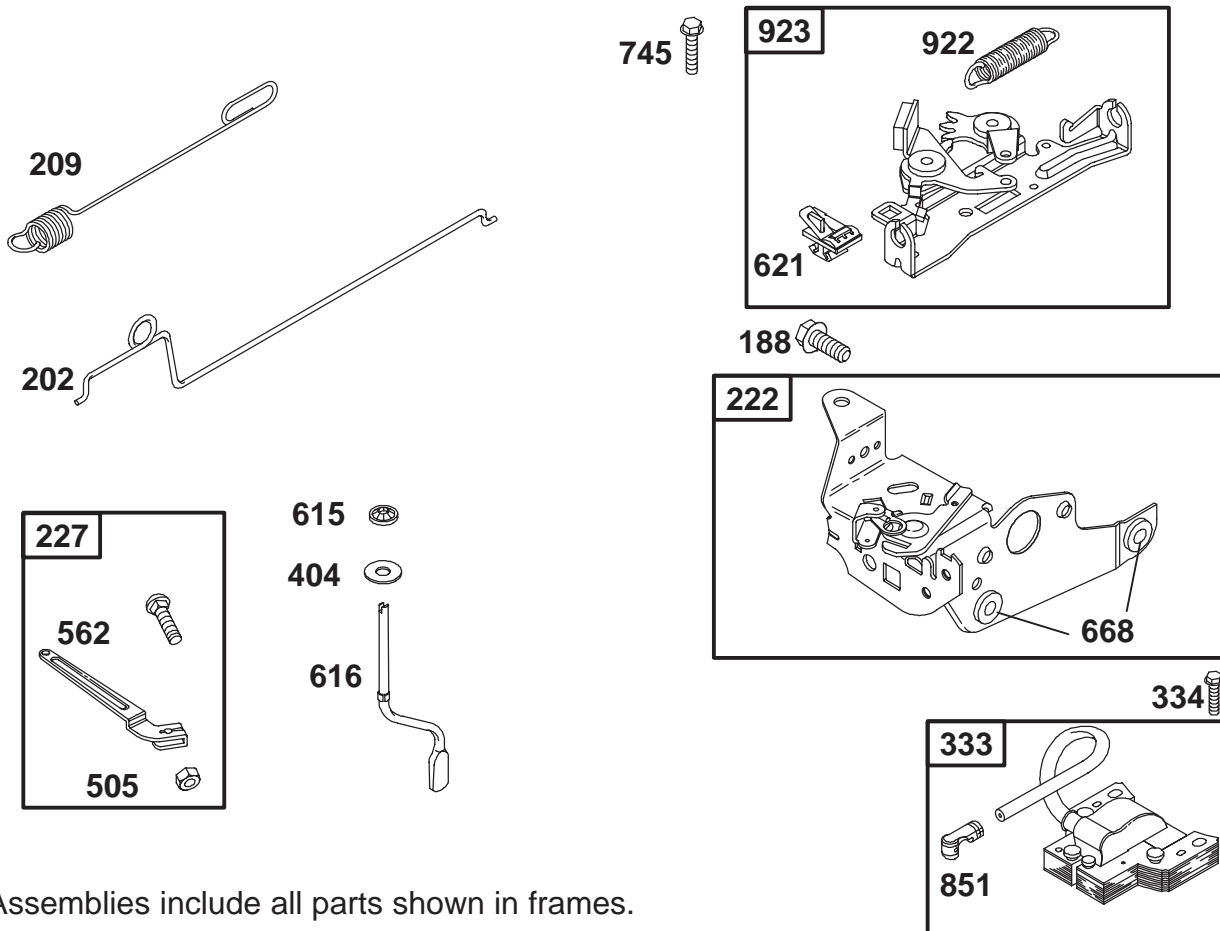
Ref. No.	Part No.	Qty.	Description
29	499424	1	Connecting Rod (Standard)
32	691664	1	Screw (Connecting Rod)
32A	695759	1	Screw (Connecting Rod)
33	262651	1	Exhaust Valve
34	262652	1	Intake Valve
35	691270	1	Valve Spring (Intake)
36	691270	1	Valve Spring (Exhaust)
40	692194	1	Valve Retainer
43	691997	1	Governor/Oil Slinger
45	690548	1	Valve Keeper
46	691449	1	Camshaft
146	690979	1	Timing Key
741	691830	1	Timing Gear

△ Included in Valve Gasket Set—Ref. 1095.

★ Included in Engine Gasket Set—Ref. 358.

● Included in Carburetor Overhaul Kit—Ref. 121.

◆ Included in Carburetor Gasket Set—Ref. 977.



Assemblies include all parts shown in frames.

ENGINE BRIGGS & STRATTON MODEL 12H802-1776-B1

Ref. No.	Part No.	Qty.	Description
188	690877	1	Screw (Control Bracket)
202	691829	1	Mechanical Governor Link
209	691292	1	Governor Spring
222	692467	1	Control Bracket
227	690783	1	Governor Control Lever
333	802574	1	Magneto Armature
334	691061	1	Screw (Magneto Armature)
404	690272	1	Washer (Governor Crank)
505	231082	1	Nut (Governor Control Lever)
562	92613	1	Screw (Governor Control Lever)
615	690340	1	Governor Shaft Retainer
616	691306	1	Governor Crank
621	692310	1	Stop Switch
★668	493823	1	Spacer (Includes 2)
745	691648	1	Screw (Brake)
851	493880	1	Sparkplug Terminal
922	691831	1	Brake Spring

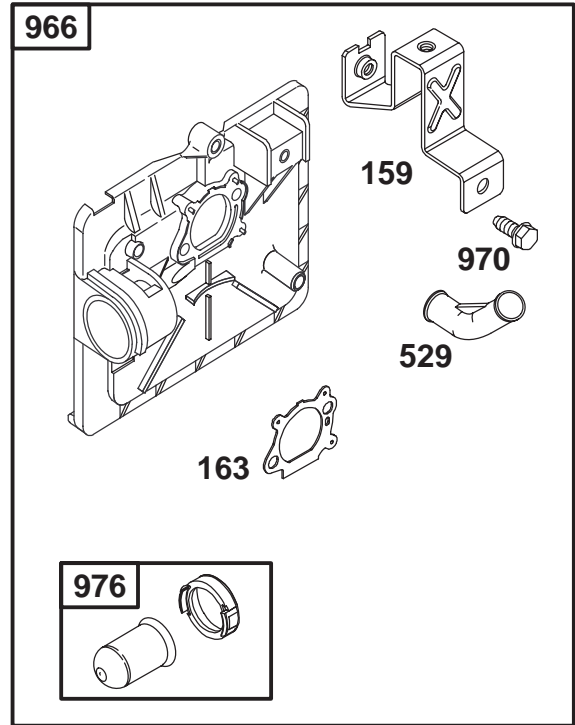
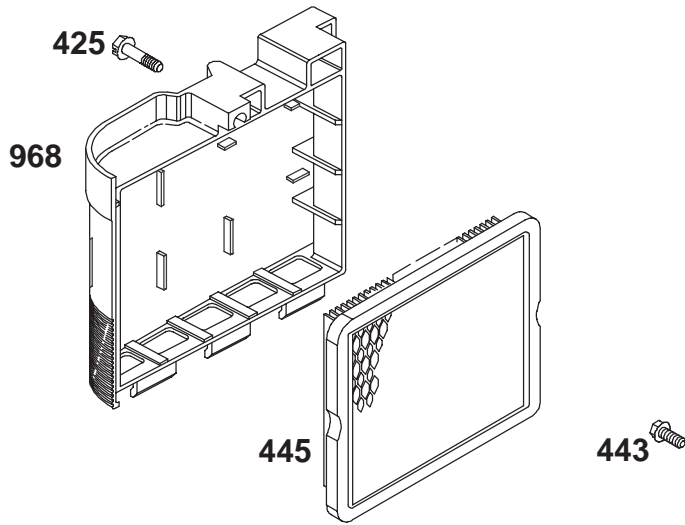
Ref. No.	Part No.	Qty.	Description
923	691994	1	Brake

△ Included in Valve Gasket Set-Ref. 1095.

★ Included in Engine Gasket Set-Ref. 358.

● Included in Carburetor Overhaul Kit-Ref. 121.

◆ Included in Carburetor Gasket Set-Ref. 977.



Assemblies include all parts shown in frames.

ENGINE BRIGGS & STRATTON MODEL 12H802-1776-B1

Ref. No.	Part No.	Qty.	Description
159	691753	1	Air Cleaner Primer Bracket
★◆163	272653	1	Air Cleaner Gasket
425	690670	1	Screw (Air Cleaner Cover)
443	692523	1	Screw (Air Cleaner Primer Base)
445	491588	1	Air Cleaner Cartridge Filter
529	691923	1	Grommet
966	496116	1	Air Cleaner Primer Base
968	692298	1	Air Cleaner Cover
970	691669	1	Screw (Air Cleaner Primer Bracket)
976	694395	1	Carburetor Primer

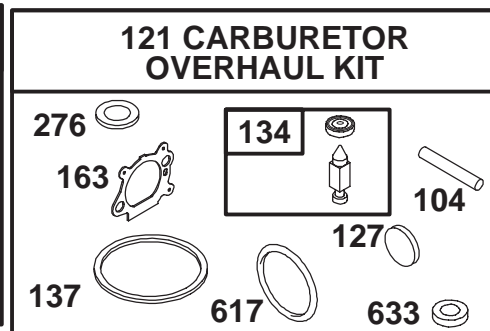
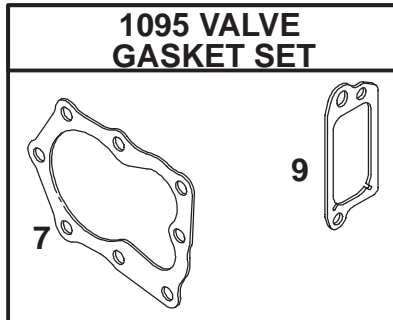
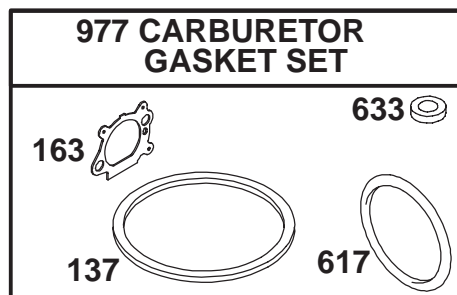
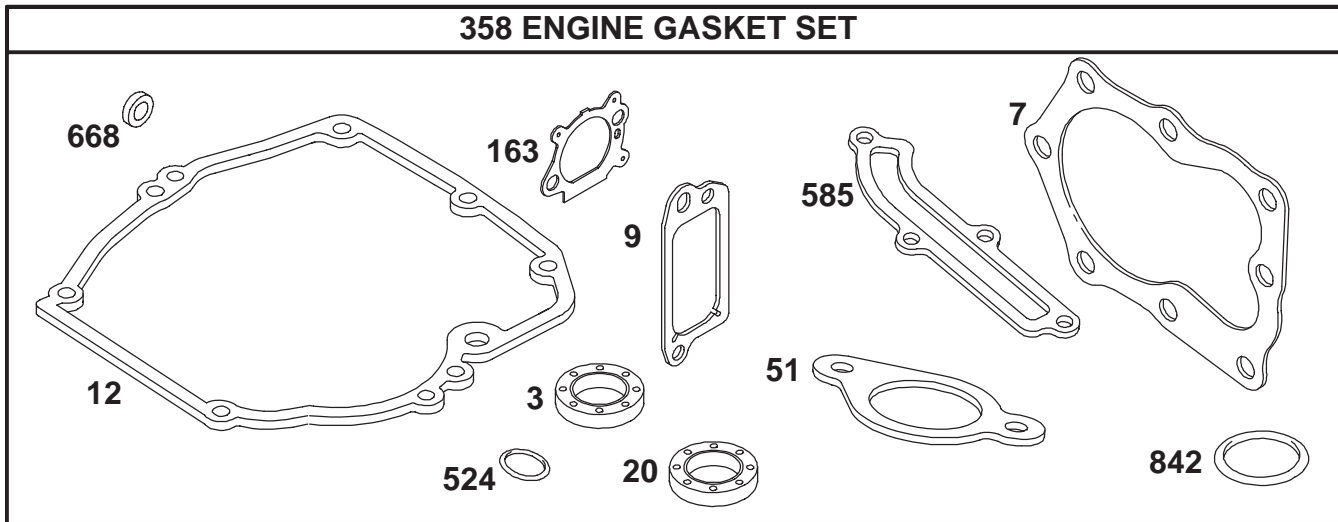
Ref. No.	Part No.	Qty.	Description

△ Included in Valve Gasket Set-Ref. 1095.

★ Included in Engine Gasket Set-Ref. 358.

● Included in Carburetor Overhaul Kit-Ref. 121.

◆ Included in Carburetor Gasket Set-Ref. 977.



Assemblies include all parts shown in frames.

ENGINE BRIGGS & STRATTON MODEL 12H802-1776-B1

Ref. No.	Part No.	Qty.	Description
★3	299819	1	Oil Seal (Magneto Side)
Δ★7	692249	1	Cylinder Head Gasket
Δ★9	272481	1	Breather Gasket
★12	692232	1	Crankcase Gasket
★20	399781	1	Oil Seal (PTO Side)
★51	272199	1	Intake Gasket
●104	691242	1	Float Hinge Pin
121	498260	1	Carburetor Overhaul Kit
●127	694468	1	Welch Plug
●134	398188	1	Needle/Seat Kit
●◆137	693981	1	Float Bowl Gasket
★●◆163	272653	1	Air Cleaner Gasket
●276	271716	1	Sealing Washer
358	497316	1	Engine Gasket Set
★524	692296	1	Dipstick Tube Seal
★585	691879	1	Breather Passage Gasket
●◆617	270344	1	O Ring Seal (Intake Manifold)
●◆633	691321	1	Choke Throttle Shaft Seal
★668	493823	1	Spacer (Includes 2)

Ref. No.	Part No.	Qty.	Description
★842	691031	1	O Ring Seal (Dipstick Tube)
977	498261	1	Carburetor Gasket Set
1095	498528	1	Valve Gasket Set

Δ Included in Valve Gasket Set-Ref. 1095.

★ Included in Engine Gasket Set-Ref. 358.

● Included in Carburetor Overhaul Kit-Ref. 121.

◆ Included in Carburetor Gasket Set-Ref. 977.

