



Parts Catalog

QuickGroom 550

Model No. 46400—Serial No. 321000001 and Up



Ordering Replacement Parts

To order replacement parts, please supply the part number, the quantity, and the description of each part desired.

Understanding Reference Numbers

Each identified part in an illustration has a reference number. The reference number for a part also appears in the parts list, along with other information about the part.

This catalog uses two special reference number formats, one to indicate parts in a service assembly and another to indicate the quantity of a given part in an illustration.

Service Assembly Reference Numbers

Parts in service assemblies have reference numbers in the form a:b. The a represents the reference number of the entire service assembly and the b represents a sequential number unique to each part within the service assembly.

For example, a wheel assembly might be identified by reference number 6, the tire by 6:1, the valve by 6:2, and the wheel by 6:3. When you order the assembly identified by reference number 6, you receive all parts identified by reference numbers 6:1, 6:2, and 6:3. However, you may also order any part individually. Reference numbers of this type appear in illustration and in parts lists.

Reference Numbers Indicating Quantity

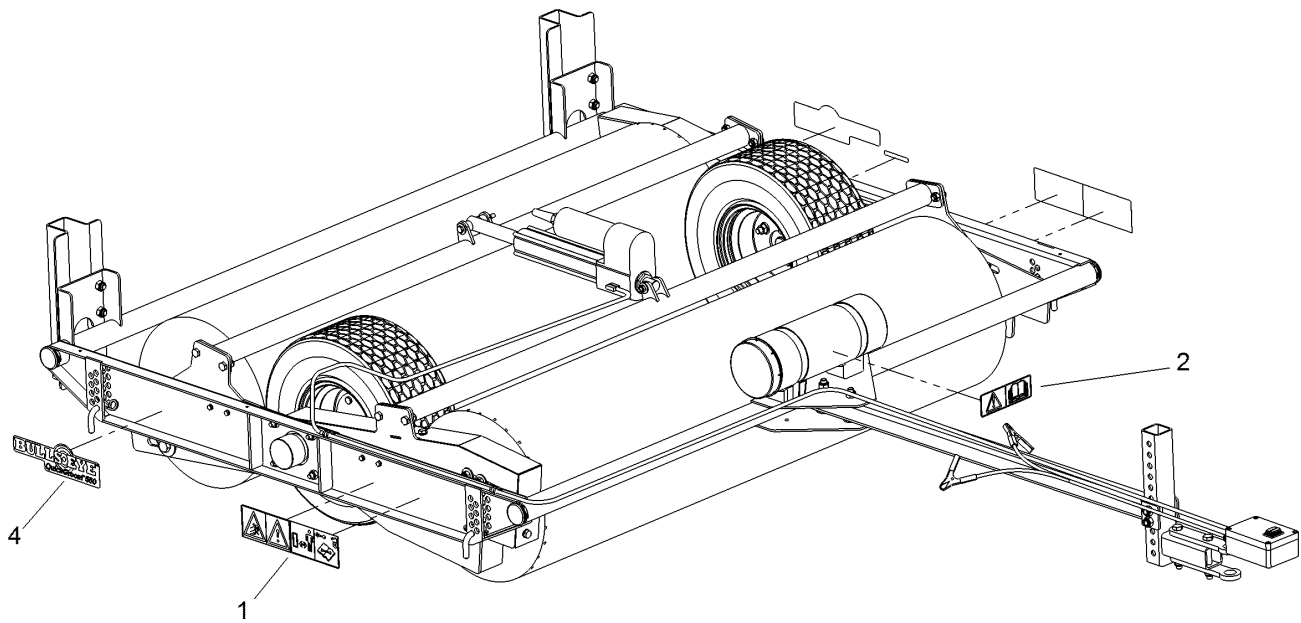
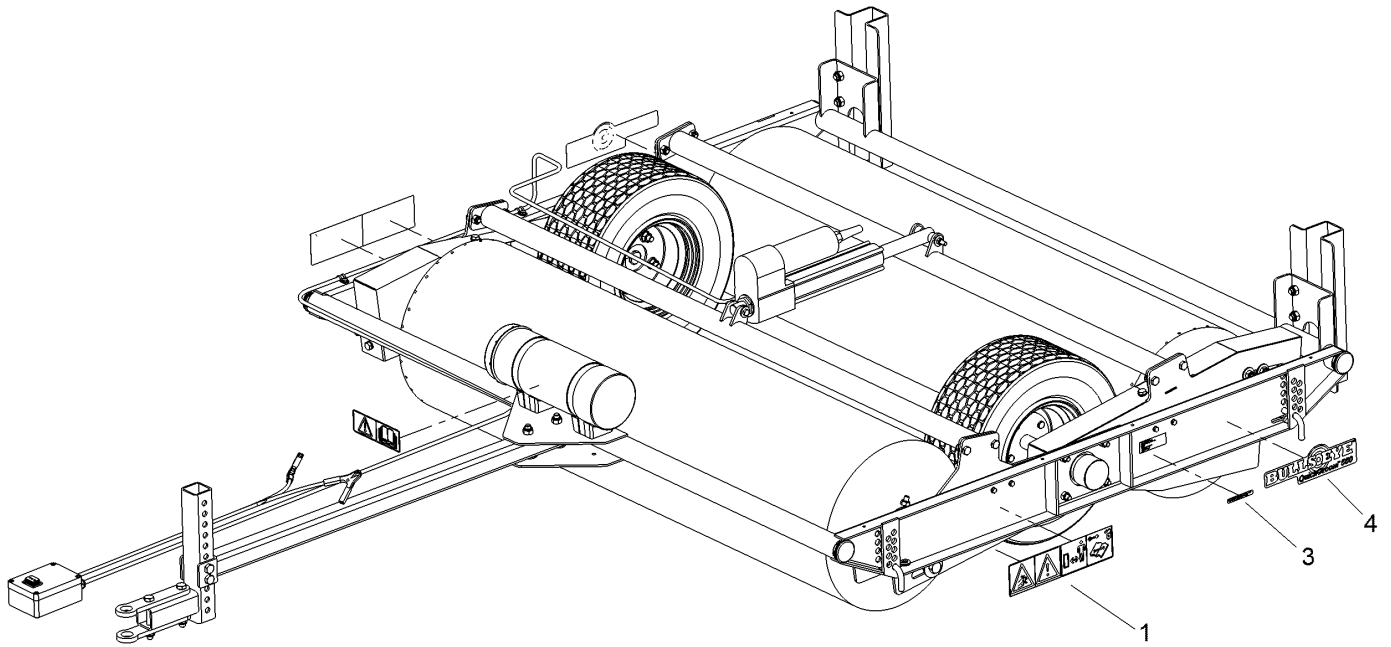
In an illustration, if a reference number indicates more than one part, the reference number has the form nX y. The n represents the quantity of the part, the X is the multiplication symbol, and the y represents the reference number.

For example, in an illustration, the reference number 2X 37 means that two of the parts identified by reference number 37 are indicated.

Contents

Decal Assembly 4
Electrical and Drawbar Assembly 6
Driveline Assembly..... 8
Wheel Assembly..... 10

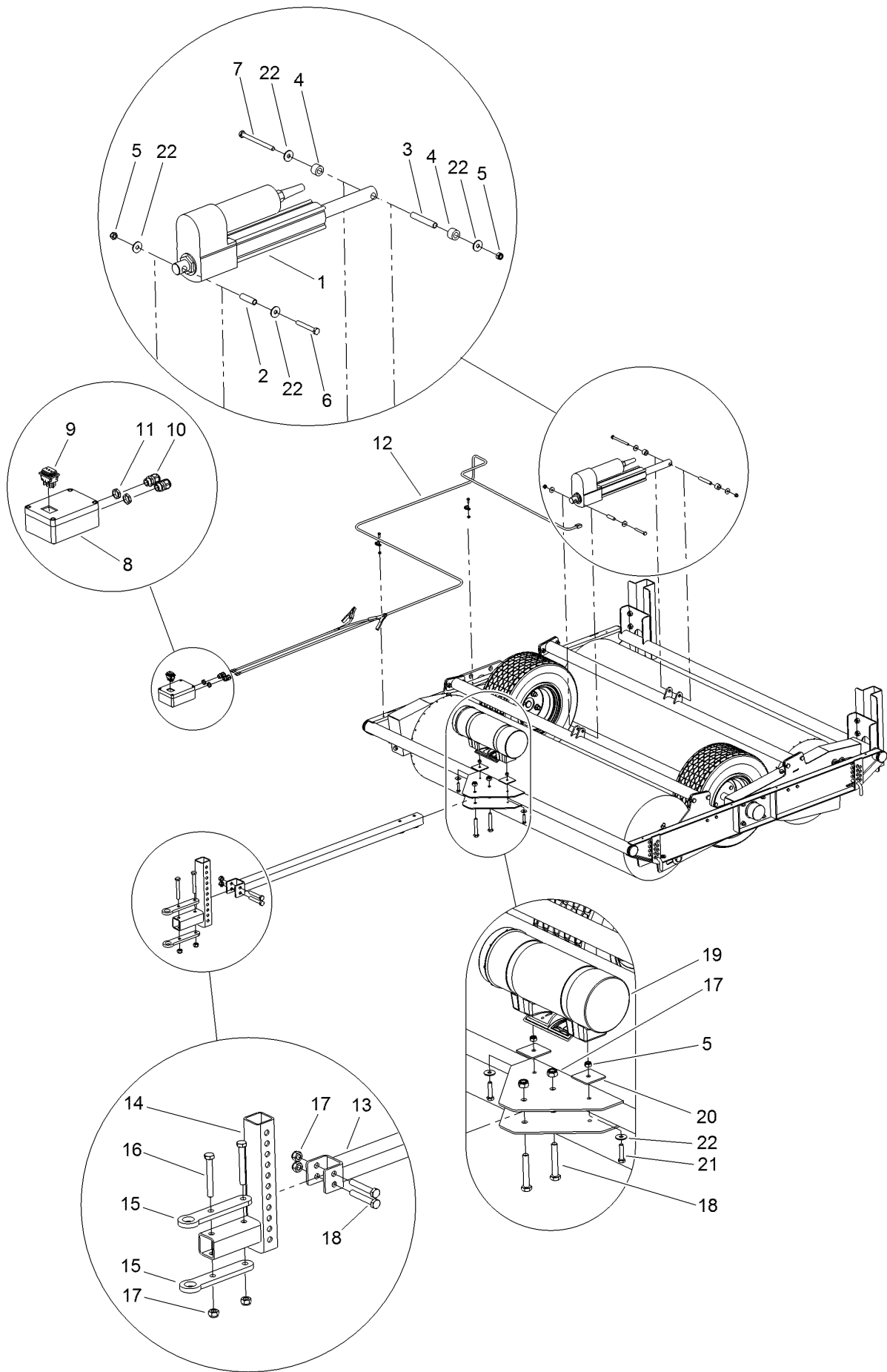
Decal Assembly



Decal Assembly (continued)

<i>Ref.</i>	<i>Part Number</i>	<i>Qty.</i>	<i>Description</i>	<i>Ref.</i>	<i>Part Number</i>	<i>Qty.</i>	<i>Description</i>
1	144-7905	2	Decal-Safety	3	133-8061	1	Decal-Warning
2	105-0698	1	Decal-Caution	4	136-3652	2	Decal-Quickgroom 550

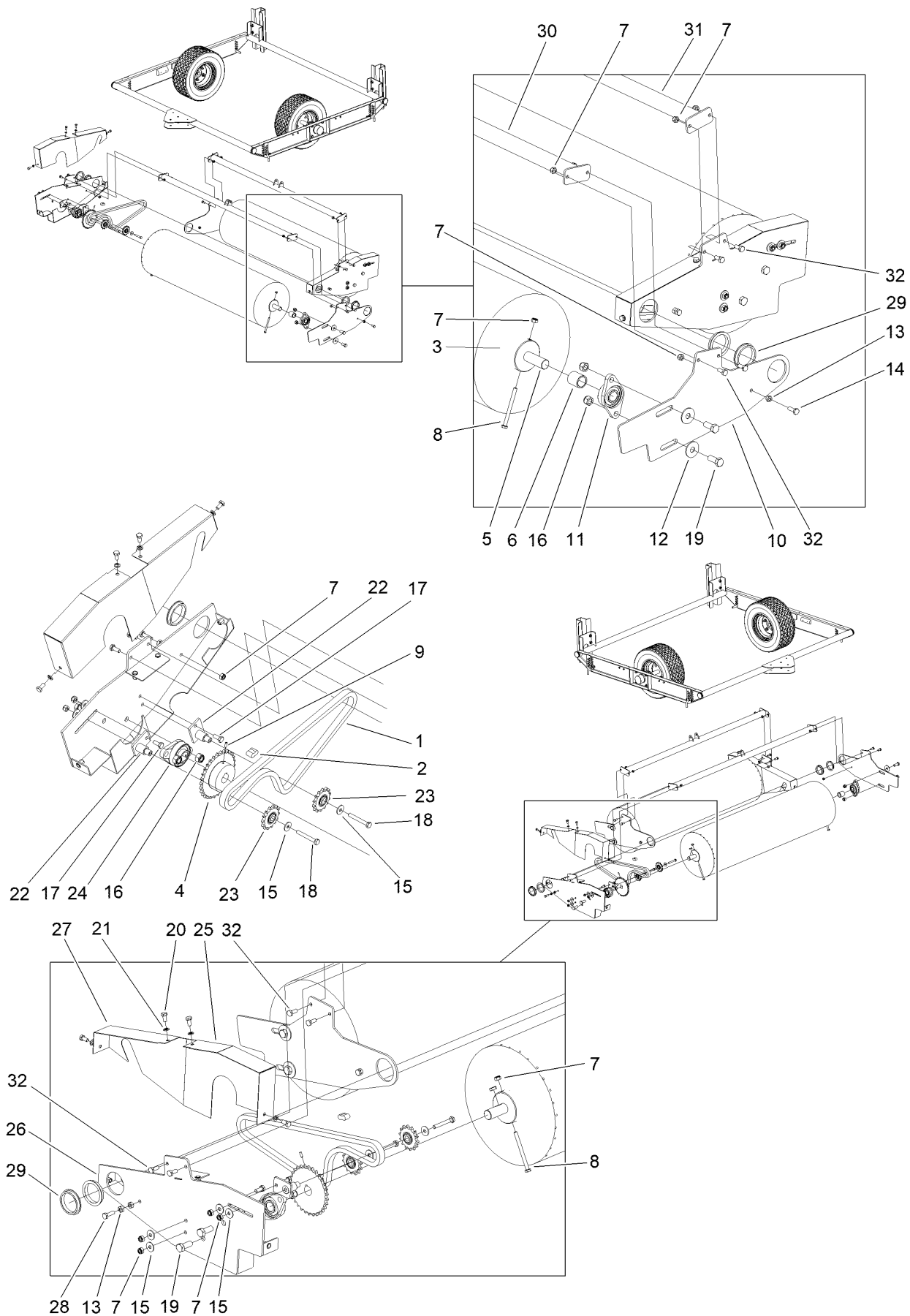
Electrical and Drawbar Assembly



Electrical and Drawbar Assembly (continued)

<i>Ref.</i>	<i>Part Number</i>	<i>Qty.</i>	<i>Description</i>	<i>Ref.</i>	<i>Part Number</i>	<i>Qty.</i>	<i>Description</i>
1	144-7733	1	Electric Actuator	12	144-8122	1	Cable For Actuator L-7750
2	144-8115	1	Bushing Ø12 L-42	13	144-8123	1	Draw Bar Tube
3	144-8116	1	Bushing Ø12 L-74	14	144-8124	1	Draw Bar Front
4	144-8117	2	Bushing Ø22/12.5 L-15	15	144-8125	2	Pull Eye
5	144-7944	4	Self Lock Nut M8 - ISO 10511	16	144-8126	2	Bolt M12 X 90 - ISO 4014
6	144-8098	1	Bolt M8 X 60 - ISO 4014	17	144-7705	6	Nut, Self Locking - M 12
7	144-8118	1	Bolt M8 X 100 - ISO 4014	18	144-8127	4	Bolt M12 X 75 - ISO 4014
8	144-8119	1	Case	19	144-8128	1	Toolbox Complete
9	144-7735	1	Rocker Switch	20	144-8129	2	Toolbox Contraplate
10	144-8120	2	Cable Plug Ø8/M16X1.5	21	144-8130	2	Bolt M8 X 35 - ISO 4017
11	144-8121	2	Nut Cable Plug M16X1.5	22	144-8013	6	Washer-Large M8 - Din 9021

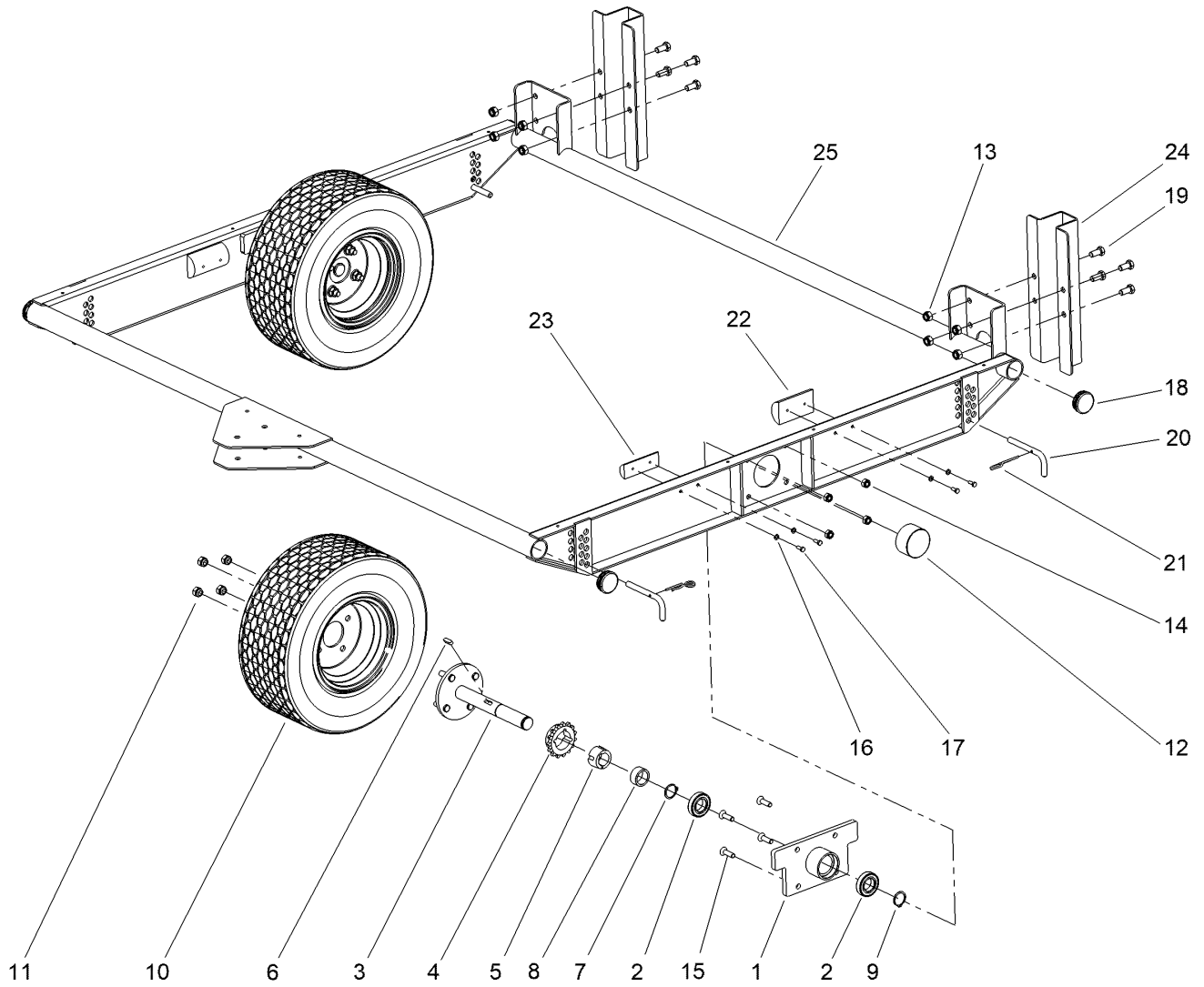
Driveline Assembly



Driveline Assembly (continued)

<i>Ref.</i>	<i>Part Number</i>	<i>Qty.</i>	<i>Description</i>	<i>Ref.</i>	<i>Part Number</i>	<i>Qty.</i>	<i>Description</i>
1	144-8131	2	Chain 5/8In. L-1445	16	144-7951	8	Nut, Self Lock M16 10.9 - ISO 10511
2	144-8132	2	Chain Connector 5_8 Inch 10B Simplex	17	144-7920	2	Bolt M10 X 25 - ISO 4017
3	144-7736	2	Brush	18	144-8140	4	Bolt M10 X 75 - ISO 4014
4	144-8133	2	Sprocket 5/8In. Simplex Z-30	19	144-8141	8	Bolt M16 X 40 - ISO 4017
5	144-8134	2	Brush Axle	20	144-7921	8	Spring Washer M10 - Din 127
6	144-8135	2	Distance Bushing Ø40/Ø31 L-44	21	144-8109	8	Bolt M10 X 20 - ISO 4017
7	144-7717	20	Nut, Self Locking - M 10	22	144-8142	2	Spanner
8	144-8136	2	Bolt M10 X 120 - ISO 4014	23	144-8143	2	Spanner 5/8 14T
9	144-8137	2	Set Screw M6 X 16 Din 913	24	144-7708	2	Bearing Ucfl 206
10	144-7791	2	Swing Arm	25	144-7792	1	Cover Front
11	144-7708	2	Bearing Ucfl 206	26	144-7793	2	Swingarm Driven
12	144-8138	4	Large Washer M16 - Din 9021	27	144-7794	2	Cover Back
13	144-8139	4	Nut M10 - Din 934	28	144-7947	2	Bolt M10 X 35 - ISO 4017
14	144-7768	2	Bolt M 10 X 30	29	144-8144	4	Nylon Bushing Ø63/Ø72 L-12
15	144-7946	12	Large Washer M10 - Din 9021	30	144-7795	1	Cross Beam Front
				31	144-8145	1	Cross Beam Back Toro
				32	144-7920	8	Bolt M10 X 25 - ISO 4017

Wheel Assembly



Wheel Assembly (continued)

<i>Ref.</i>	<i>Part Number</i>	<i>Qty.</i>	<i>Description</i>	<i>Ref.</i>	<i>Part Number</i>	<i>Qty.</i>	<i>Description</i>
1	144-8146	2	Axle Frame	13	144-7705	8	Nut, Self Locking - M 12
2	144-8147	4	Bearing 6006-Llu	14	144-7717	8	Nut, Self Locking - M 10
3	144-8148	2	Wheel Axle	15	144-8157	8	Bolt M10 X 35 - Din 7991
4	144-8149	2	Sprocket Taperlock 5/8In. X 3/8In. Z-15	16	144-8158	8	Spring Washer M6 - Din 127
5	144-8150	2	Taperlock 1210 - 30Mm	17	144-8159	8	Bolt M6 X 16 - ISO 4017
6	144-8151	2	Key 8X7X25 - Din 6885	18	144-8160	4	Round Tube End Insert
7	144-8152	2	Circlip D-30 - Din 471	19	144-7955	8	Bolt M12 X 25 - ISO 4017
8	144-8153	2	Distance Bushing Ø40/Ø31 L-18.6	20	144-8161	4	Height Adjustment Pin
9	144-8152	2	Circlip D-30 - Din 471	21	144-8162	4	R-Clip Round 3, Din 11024
10	144-8154	2	Wheel 16 X 6.50	22	144-8163	2	Guide
11	144-8155	8	Wheel Nut M12X1.5	23	144-8164	2	Guide
12	144-8156	2	Flexicap Ø63.5 L-38	24	144-7790	2	U-Bracket
				25	144-7789	1	Frame Brush

BULLS EYE™