



## Dingo<sup>®</sup> 322

### Compact Utility Loader

Model No. 22305—210000001 and Up

Model No. 22305A—210000001 and Up

## Parts Catalog

---

### Ordering Replacement Parts

To order replacement parts, please supply: the part number, the quantity, and the description of each part desired.

### Understanding Reference Numbers

Each identified part in an illustration has a reference number. The reference number for a part also appears in the parts list, along with other information about the part.

This catalog uses two special reference number formats, one to indicate parts in a service assembly and another to indicate the quantity of a given part in an illustration.

### Service Assembly Reference Numbers

Parts in service assemblies have reference numbers in the form **a:b**. The **a** represents the reference number of the entire service assembly and the **b** represents a sequential number unique to each part within the service assembly.

For example, a wheel assembly might be identified by reference number **6**, the tire by **6:1**, the valve by **6:2**, and the wheel by **6:3**. When you order the assembly identified by reference number **6**, you receive all parts identified by reference numbers **6:1**, **6:2**, and **6:3**. However, you may also order any part individually.

Reference numbers of this type appear in illustrations and in part lists.

### Reference Numbers Indicating Quantity

In an illustration, if a reference number indicates more than one part, the reference number has the form **nX y**. The **n** represents the quantity of the part, the **X** is the multiplication symbol, and the **y** represents the reference number.

For example, in an illustration, the reference number **2X 37** means that two of the parts identified by reference number **37** are indicated.

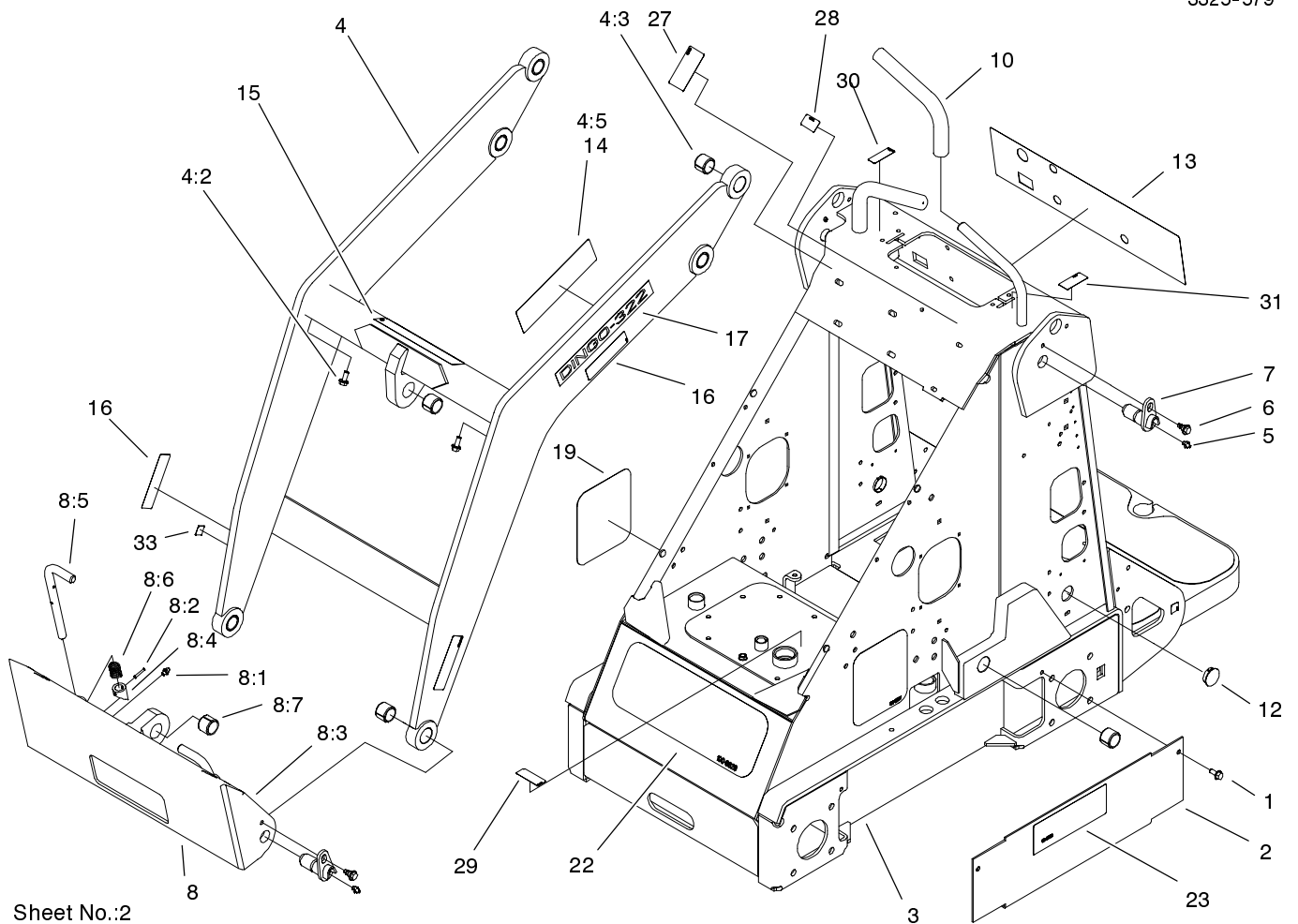
## Contents

<b>Description</b>	<b>Page</b>	<b>Description</b>	<b>Page</b>
Frame and Loader Arm Assembly .....	3	Hydraulic Cylinder Installation Assembly .....	19
Frame Assembly No. 104-7416 .....	4	Hydraulic Cylinder Assembly No. 99-3051 .....	20
Hood and Screen Assembly .....	5	Electrical Components Assembly .....	21
Wheel and Motor Assembly .....	6	Electrical Schematic .....	22
Hydraulic Motor Assembly No. 99-3052 .....	7	Hydraulic Schematic .....	23
Engine and Pump Assembly .....	8	Crankshaft Assembly (Group1) .....	24
Fuel Tank and Air Filter Assembly .....	9	Crankcase Assembly (Group2) .....	25
Hydraulic Tank and Filter Assembly .....	10	Oil Pan/Lubrication Assembly (Group 3) .....	26
Auxiliary Control Lever Assembly .....	11	Head/Valve/Breather Assembly (Group 4) .....	27
Hydraulic Valve Assembly .....	12	Ignition/Electrical Assembly (Group 5) .....	28
Hydraulic Auxiliary Valve No. 99-3077 .....	13	Blower Housing & Baffles Assembly (Group 6) .....	29
Hydraulic Valve Kit Assembly No. 104-4221 ..	14	Starting System Assembly (Group 7) .....	30
Hydraulic Selector Valve Assembly No. 99-3072	15	Fuel System Assembly (Group 8) .....	31
4-Spool Valve Assembly .....	16	Engine Controls Assembly (Group 9) .....	32
4-Spool Hydraulic Valve Assembly No. 99-3070	17	Air Intake/Filtration Assembly (Group 10) .....	33
Hydraulic Motor Assembly .....	18	Exhaust Assembly (Group 11) .....	34

## Part Description Abbreviations

Part descriptions in this catalog may include the following abbreviations.

<b>Abbreviation</b>	<b>Meaning</b>	<b>Abbreviation</b>	<b>Meaning</b>
AR .....	as required	INC .....	incorporated
ASM .....	assembly	LH .....	left hand
CARR .....	carriage	NI .....	nylon insert
DEG .....	degrees	PPH .....	Phillips pan head
FH .....	flat head	PTH .....	Phillips truss head
GA .....	gauge	PTO .....	power take off
HF .....	hex flange	RH .....	right hand
HH .....	hex head	SFH .....	slotted fillister head
HHF .....	hex head flange	SHH .....	slotted hex head
HLH .....	hex lag head	SQH .....	square head
HJ .....	hex jam	SHWH .....	slotted hex washer head
HOC .....	height-of-cut	SPH .....	slotted pan head
HS .....	hex socket	SRH .....	slotted round head
HSBH .....	hex socket button head	STD .....	standard
HSFH .....	hex socket flat head	TAP .....	self tapping
HSH .....	hex socket head	TTH .....	Torx truss head
HWH .....	hex washer head	WH .....	wing head
HWHTF .....	hex washer head thread forming		

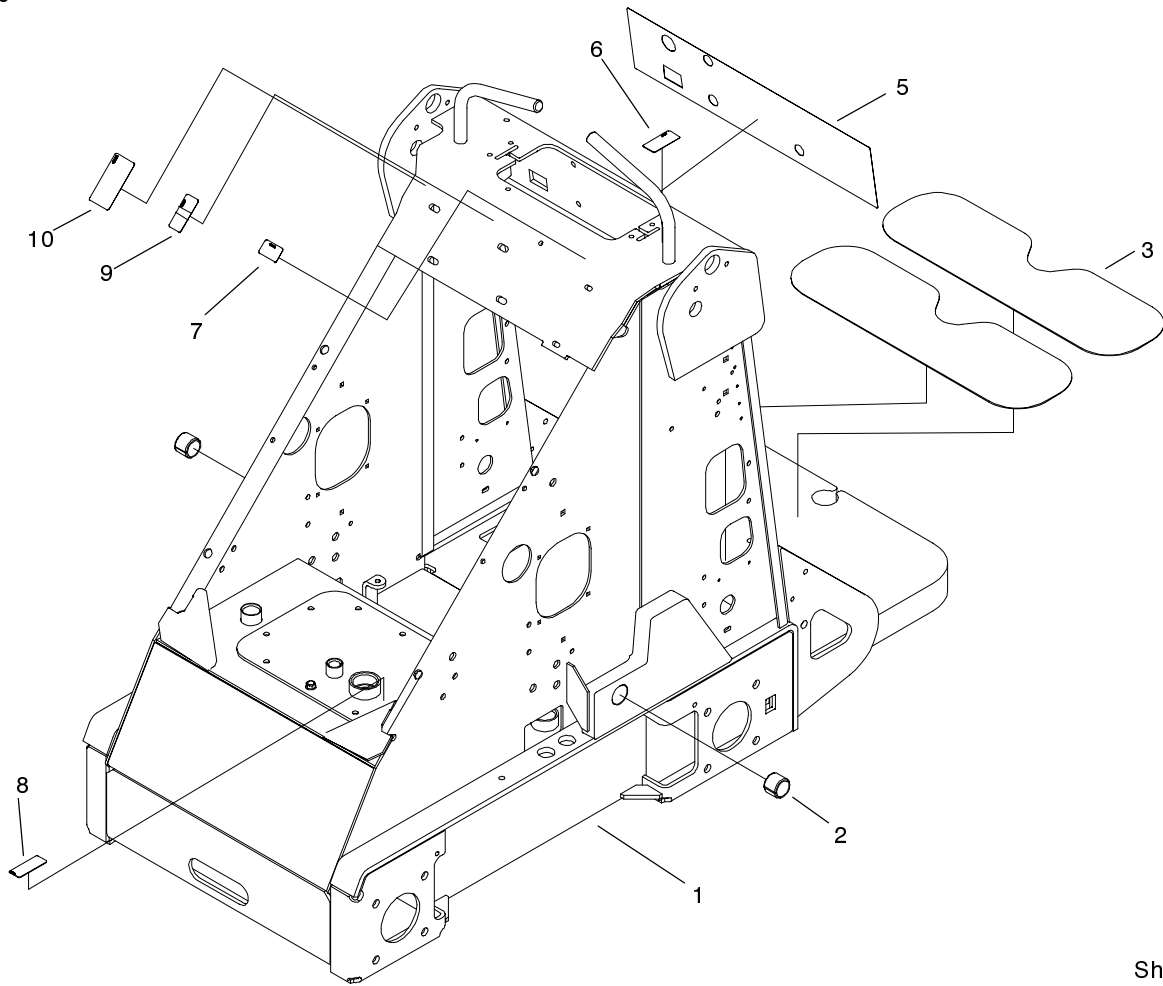


Sheet No.:2

## Frame and Loader Arm Assembly

Ref. No.	Part No.	Qty.	Description
1	32144-70	6	Screw-HH
2	99-3020-01	2	Cover-Hose (only on: 22305)
3	104-7416	1	Frame ASM
4	100-8814	1	Loader ASM
4:2	32144-70	2	Screw-HH
4:3	98-4871	7	Bushing-Tension
4:5	100-1701	1	Decal-Danger
5	302-5	4	Fitting-Grease
6	99-5105	4	Bolt-Shoulder
7	99-1414	4	Pin-Pivot
8	98-4690	1	Quick Attach ASM
8:1	302-5	2	Fitting-Grease
8:2	32121-94	2	Pin-Special
8:3	98-4691-03	1	Mount-Attach, Quick
8:4	98-4692	2	Cam-Attach, Quick
8:5	100-3373	2	Pin
8:6	98-4694	2	Spring-Compression
8:7	98-4871	1	Bushing-Tension
10	98-4845	2	Grip-Cushion
12	94-1402	2	Plug - Hole
13	99-3157	1	Decal-Panel, Control
14	98-9051	1	Decal - Danger
15	98-4682	1	Decal - Caution
16	100-6141	4	Decal-Pinch
17	99-3166	2	Decal - Dingo 322

Ref. No.	Part No.	Qty.	Description
19	100-8827	2	Decal-Dingo, Side (only on: 22305)
22	100-8828	1	Decal-Dingo, Front
23	99-3068	2	Decal-4-Paw
27	98-4677	1	Decal-Power, Auxiliary
28	98-8220	1	Decal-Limiter, Speed
29	85-4730	1	Decal-Oil Only, Hydraulic
30	94-2551	1	Decal - Choke
31	98-8219	1	Decal-Throttle

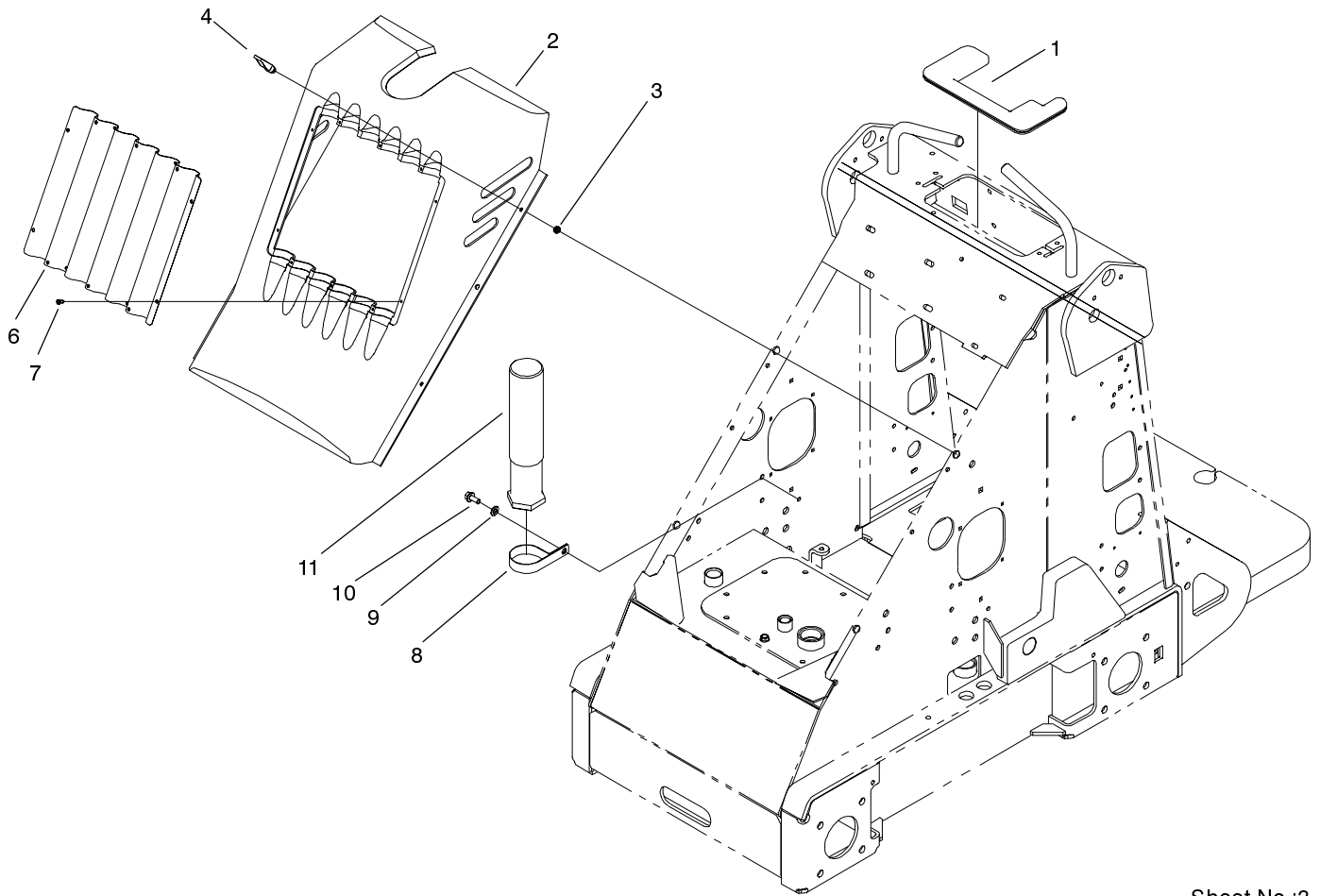


Sheet No.:A1

### Frame Assembly No. 104-7416

Ref. No.	Part No.	Qty.	Description
2	98-4871	2	Bushing-Tension
3	98-9947	2	Tread-Foot
5	100-1706	1	Decal-Panel, Control
6	98-8219	1	Decal-Throttle
7	100-1703	1	Decal-Limiter, Speed
8	93-6686	1	Decal-Oil, Hydraulic
9	98-8235	1	Decal-Selector
10	100-1704	1	Decal-Power, Auxiliary

Ref. No.	Part No.	Qty.	Description



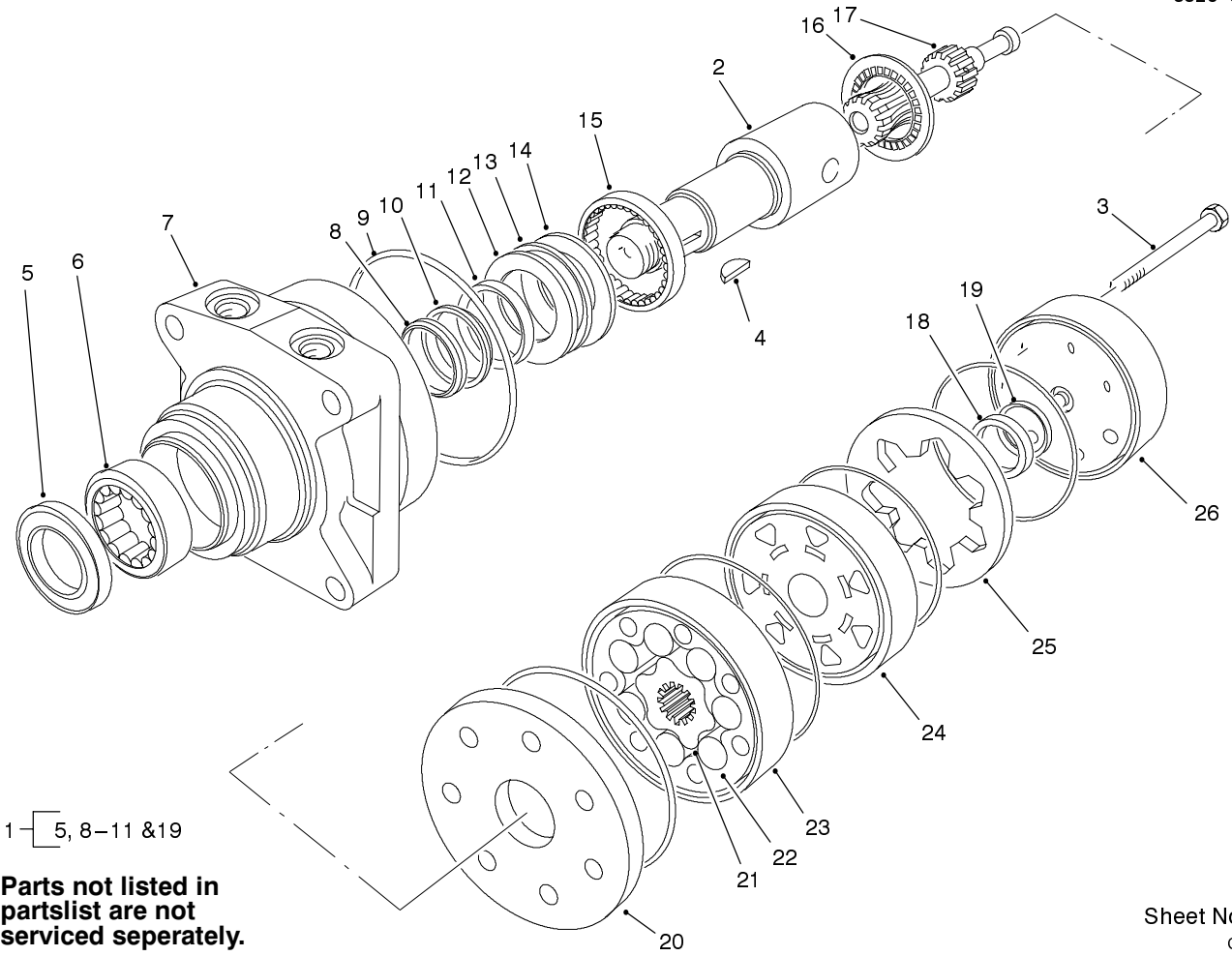
Sheet No.:3

## Hood and Screen Assembly

Ref. No.	Part No.	Qty.	Description
1	99-3155	1	Cover - Valve
2	99-3164	1	Cover-Hood
3	99-3058	4	Washer
4	74-5950	4	Latch-Swell
6	99-3147-03	1	Grille-Screen
7	32144-111	10	Screw-PPH
8	2412-133	1	R-Clamp
9	3256-23	1	Washer-Flat
10	32144-70	1	Screw-HH
11	74-0720	1	Tube-Manual

Ref. No.	Part No.	Qty.	Description





1 — 5, 8-11 & 19

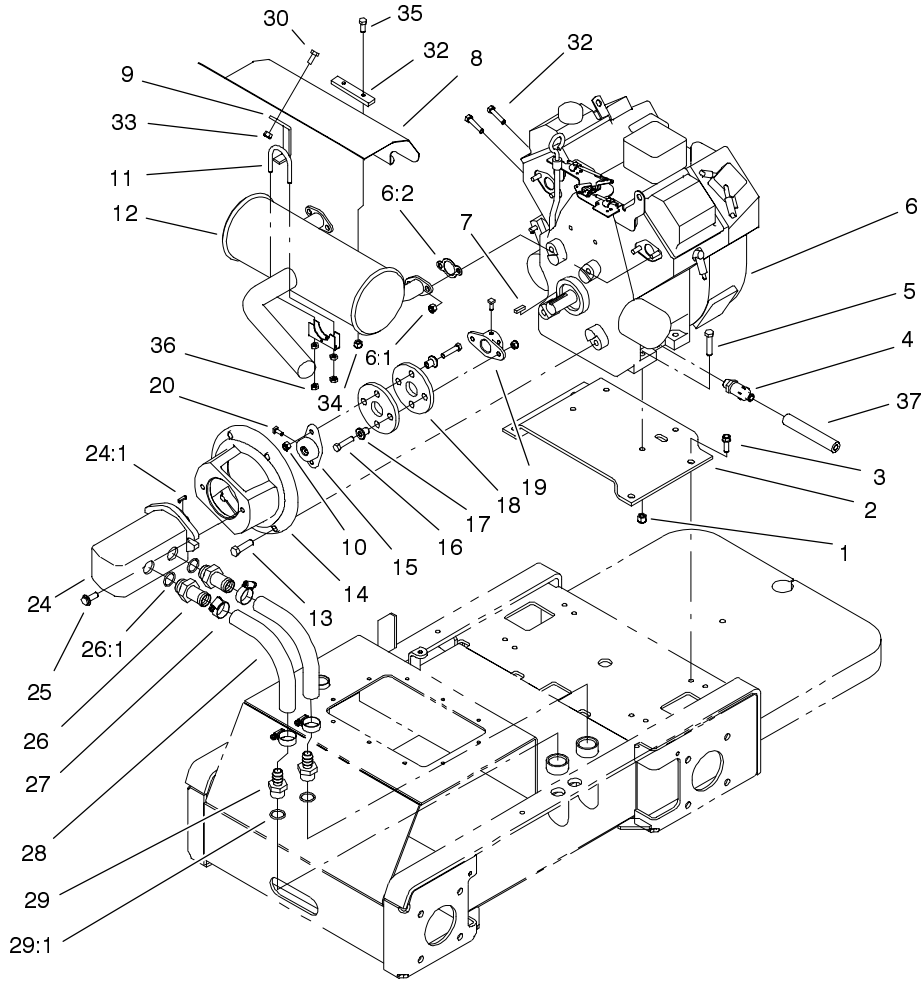
**Parts not listed in partslist are not serviced seperately.**

Sheet No.:A2  
C-2980

## Hydraulic Motor Assembly No. 99-3052

Ref. No.	Part No.	Qty.	Description
1	94-8178	1	Kit-Seal
2	99-3090	1	Coupling-Shaft
3	99-3091	7	Screw-Cap, HH
4	3257-42	1	Key-Woodruff

Ref. No.	Part No.	Qty.	Description



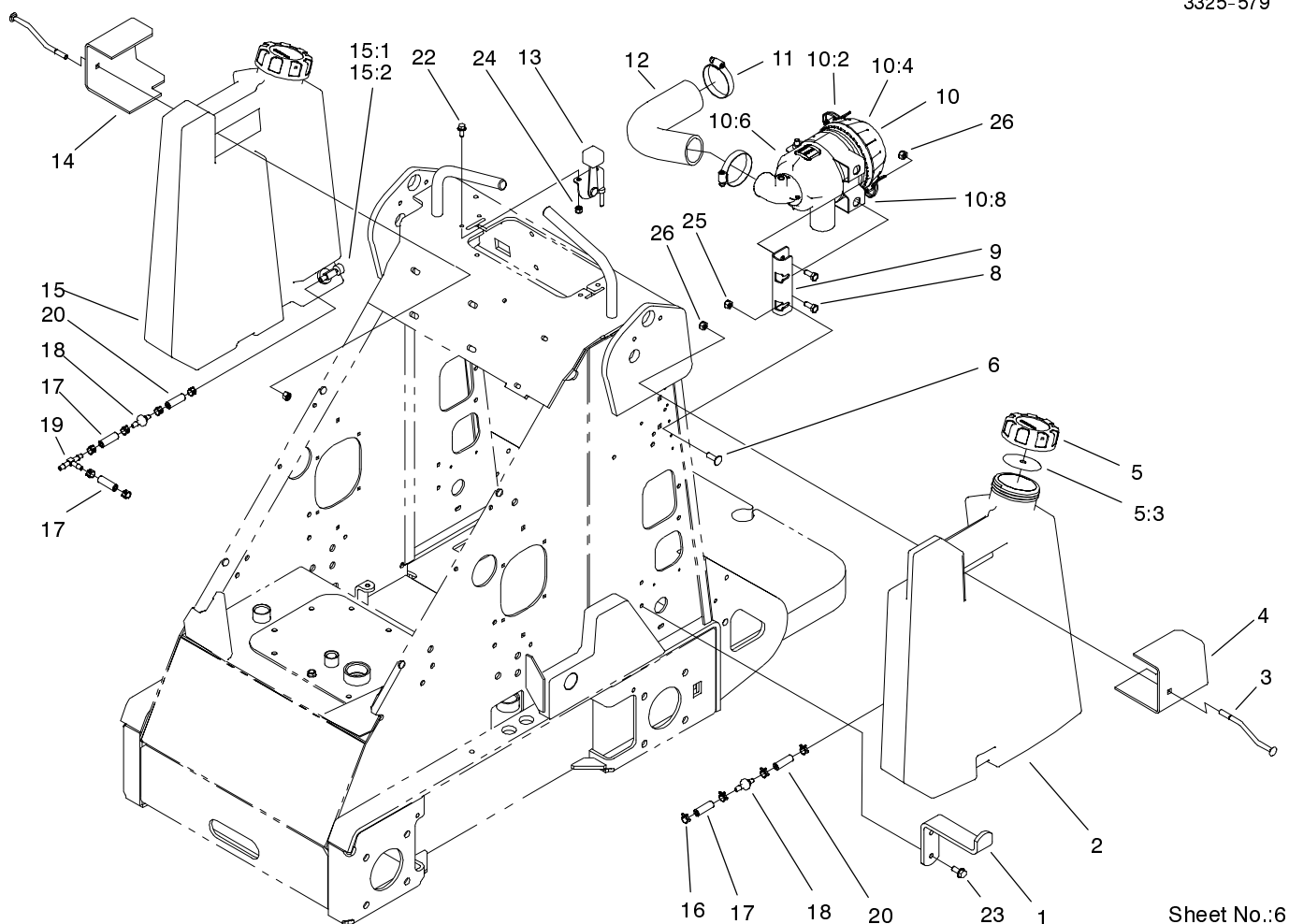
Sheet No.:5

## Engine and Pump Assembly

Ref. No.	Part No.	Qty.	Description
1	3296-39	4	Nut-Lock, NI
2	98-4666-03	1	Mount - Engine
3	95-1726	4	Screw-Taptite W/Patch
4	92-6877	1	Valve-Drain, Oil
5	323-9	4	Screw-HH
6		1	Engine-Kohler, 22 HP (Ch22s Ps-66559)
6:1	92-6780	4	Nut-HF
6:2	93-0350	2	Gasket - Exhaust
7	10-7070	1	Key-Square
8	99-3115-03	1	Shield-Muffler
9	99-3138	1	Support - Shield
10	3296-29	4	Nut-Lock
11	2112-9	1	Clamp
12	100-1711	1	Muffler-Kohler
13	324-6	4	Screw-HH
14	98-2751-03	1	Mount-Pump
15	98-4701	1	Hub - Pump, 5/8
16	322-7	4	Screw-HH
17	71-4411	4	Spacer
18	44-2230	2	Coupling-Rubber
19	27-1960	1	Hub-Engine
20	3241-6	4	Screw-SQH
24	98-4702	1	Pump - Gear, Tandem
24:1	98-4700	1	Key-Square

Ref. No.	Part No.	Qty.	Description
*24:2	99-1353	1	Kit-Seal, Pump
25	66-9300	2	Screw-Flange
26	99-3017	2	Fitting
26:1	237-81	1	O-Ring
27	2412-111	4	Clamp
28	99-3046	2	Hose-Suction, Formed
29	354-78	2	Connector-Hose
29:1	237-146	1	O-Ring
30	322-3	1	Screw-HH
32	99-3116-03	1	Spacer-Bar
33	32152-1	1	Nut-Lock, NI
34	32152-4	2	Nut-Conelock
35	3234-4	2	Screw-HHF
36	3218-2	2	Nut-Jam
37	98-4667	1	Hose - Drain, Oil
38	32144-18	2	Screw-HH

\* Not illustrated

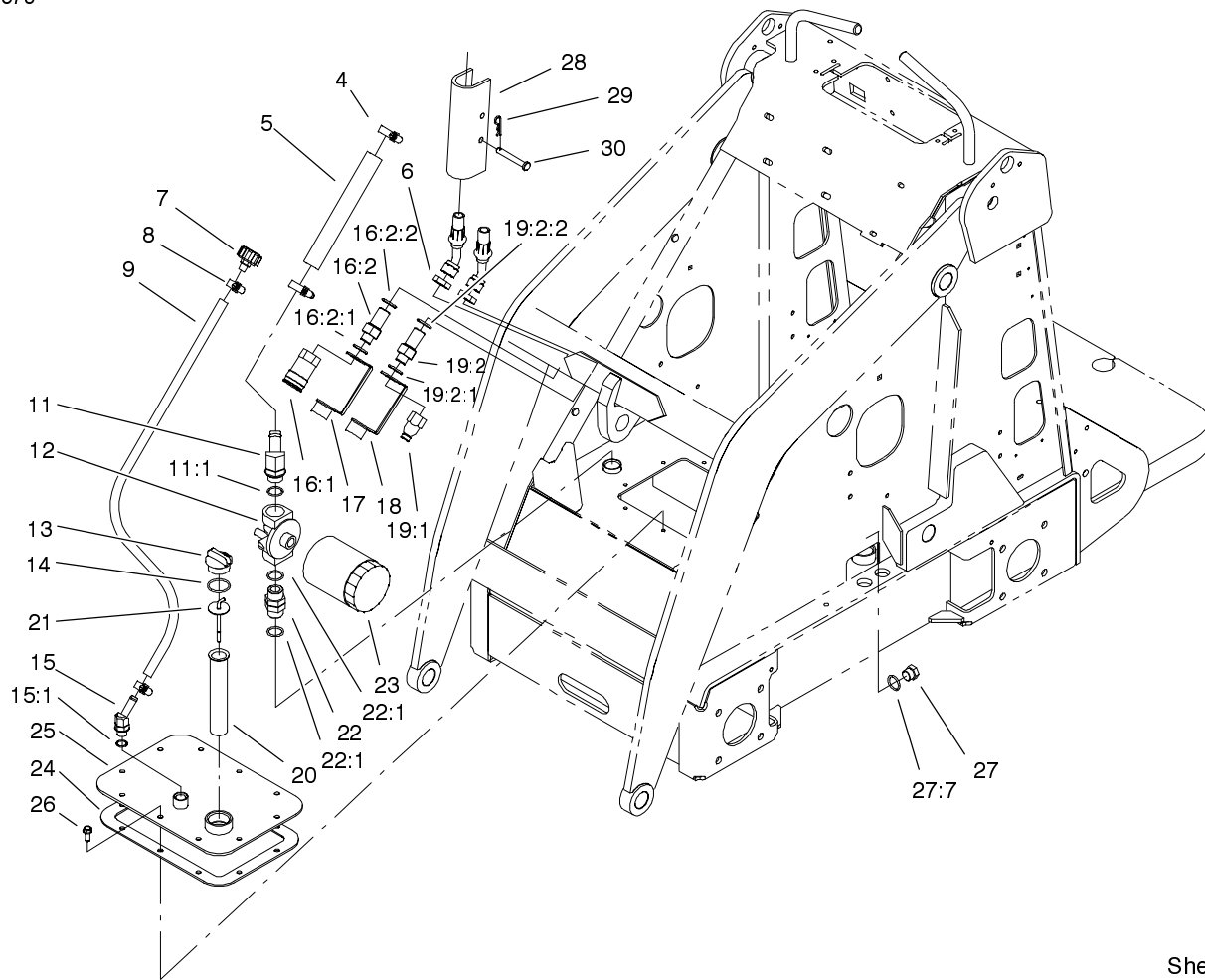


Sheet No.:6

## Fuel Tank and Air Filter Assembly

Ref. No.	Part No.	Qty.	Description	Ref. No.	Part No.	Qty.	Description
1	98-4656-03	2	Mount-Bottom, Tank	15	98-4654	1	Fuel Tank ASM
2	99-5003	1	Fuel Tank ASM	15:1	104047	1	Bushing
*2:1	104047	2	Bushing	15:2	104048	1	Valve-Fuel
*2:2	104048	1	Valve-Fuel	16	2412-98	10	Clamp
*2:3	99-1420	1	Plug - Tank, Fuel	17	99-3185	3	Line-Fuel
3	98-4657	2	Bolt-Mount	18	99-5000	2	Valve - Check, Fuel
4	99-1444-03	1	Plate-Mount, Left	19	99-5005	1	Fitting - Tee, Barbed
5	104-7418	2	Cap-Fuel, Gas	20	99-5101	2	Line - Fuel
5:3	104-7420	1	Gasket-Vented	22	3234-33	4	Screw-HHF
6	3230-2	2	Screw-CARR	23	32144-70	4	Screw-HH
8	322-3	2	Screw-HH	24	3296-42	4	Nut-Lock, NI
9	99-3080-03	1	Mount-Cleaner, Air	25	32128-20	2	Nut-HF
10	99-3160	1	Air Cleaner ASM	26	3296-29	4	Nut-Lock
*10:1	99-3173	1	Element-Filter, Air				
10:2	99-3174	2	Clip-Cleaner, Air				
*10:3	99-3175	1	Valve-Ejector, Dust				
10:4	99-3176	1	Cover-Cleaner, Air				
*10:5	99-3183	1	Tube ASM				
10:6	99-3184	1	Housing-Cleaner, Air				
*10:7	99-3198	1	Filter-Safety				
10:8	99-3197	1	Filter Mount Bracket ASM				
11	2412-42	2	Clamp-Hose				
12	99-3148	1	Hose-Air				
13	85-9310	2	Control-Choke				
14	98-4655-03	1	Plate - Mount				

\* Not illustrated



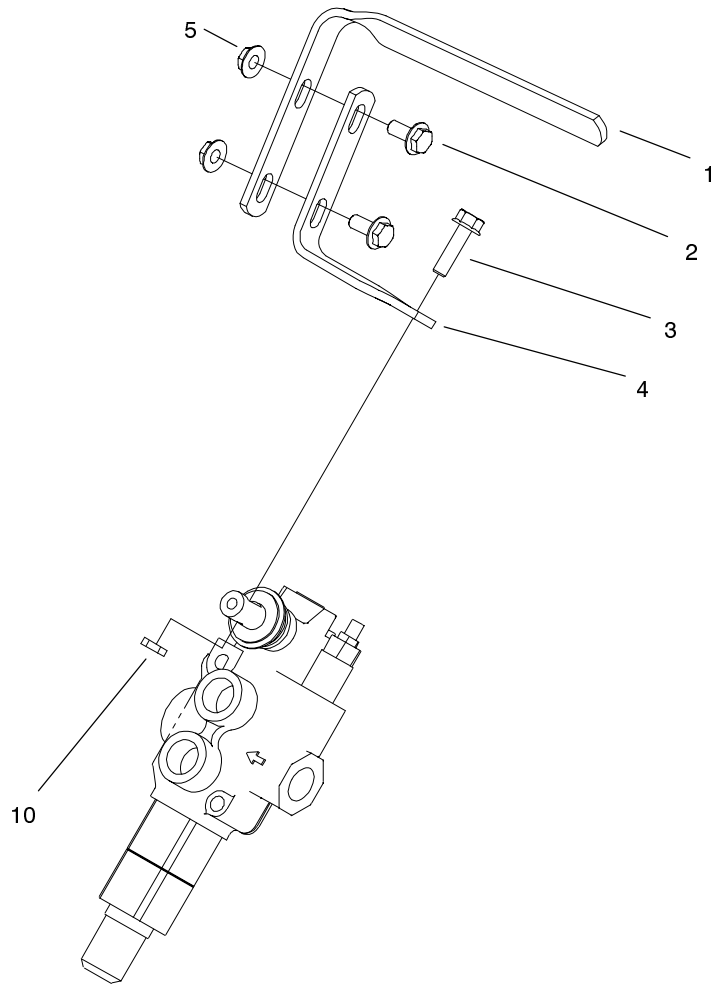
Sheet No.:7

## Hydraulic Tank and Filter Assembly

Ref. No.	Part No.	Qty.	Description
4	2412-129	2	Clamp-Hose
5	98-2713	1	Hose-Suction, Hydraulic
6	340-74	2	Locknut-Bulkhead
7	68-6150	1	Breather-Air
8	2412-36	2	Clamp-Hose
9	98-2708	1	Hose - Vent
11	354-127	1	Elbow-3/4 Barb, 45 DEG
11:1	237-81	1	O-Ring
12	92-5821	1	Filter Head ASM
13	93-7498	1	Plug-Plastic
14	237-123	1	O-Ring
15	354-126	1	Fitting-Hydraulic, 45 DEG
15:1	237-79	1	O-Ring
16	100-4747	1	Bulkhead Coupler ASM
16:1	100-4234	1	Coupler-Face, Flush
*16:1:1	100-6119	1	Kit-Seal
16:2	100-4236	1	Fitting-Adapter, Bulkhead
16:2:1	237-65	1	O-Ring
16:2:2	237-80	1	O-Ring
17	100-8816	1	Cap-Dust, Coupler
18	100-8815	1	Cap-Dust, Nipple

Ref. No.	Part No.	Qty.	Description
19	100-4748	1	Bulkhead Nipple ASM
19:1	100-4235	1	Nipple-Face, Flush
*19:1:1	100-6120	1	Kit-Seal
19:2	100-4236	1	Fitting-Adapter, Bulkhead
19:2:1	237-65	1	O-Ring
19:2:2	237-80	1	O-Ring
20	61-2790	1	Filter-Screen
21	100-2097	1	Dipstick-Oil
22	98-9906	1	Fitting-Thread, Straight
22:1	237-81	2	O-Ring
23	54-0110	1	Filter-Oil, Transmission
24	98-9927	1	Gasket-Cover
25	100-1713-01	1	Cover ASM
26	98-9940	10	Screw
27	353-988	1	Plug-Hex, Hollow
27:7	237-79	1	O-Ring
28	98-4675-01	2	Lock-Cylinder (only on: 22305)
29	3290-467	2	Pin-Hair
30	283-52	2	Pin-Clevis

\* Not illustrated

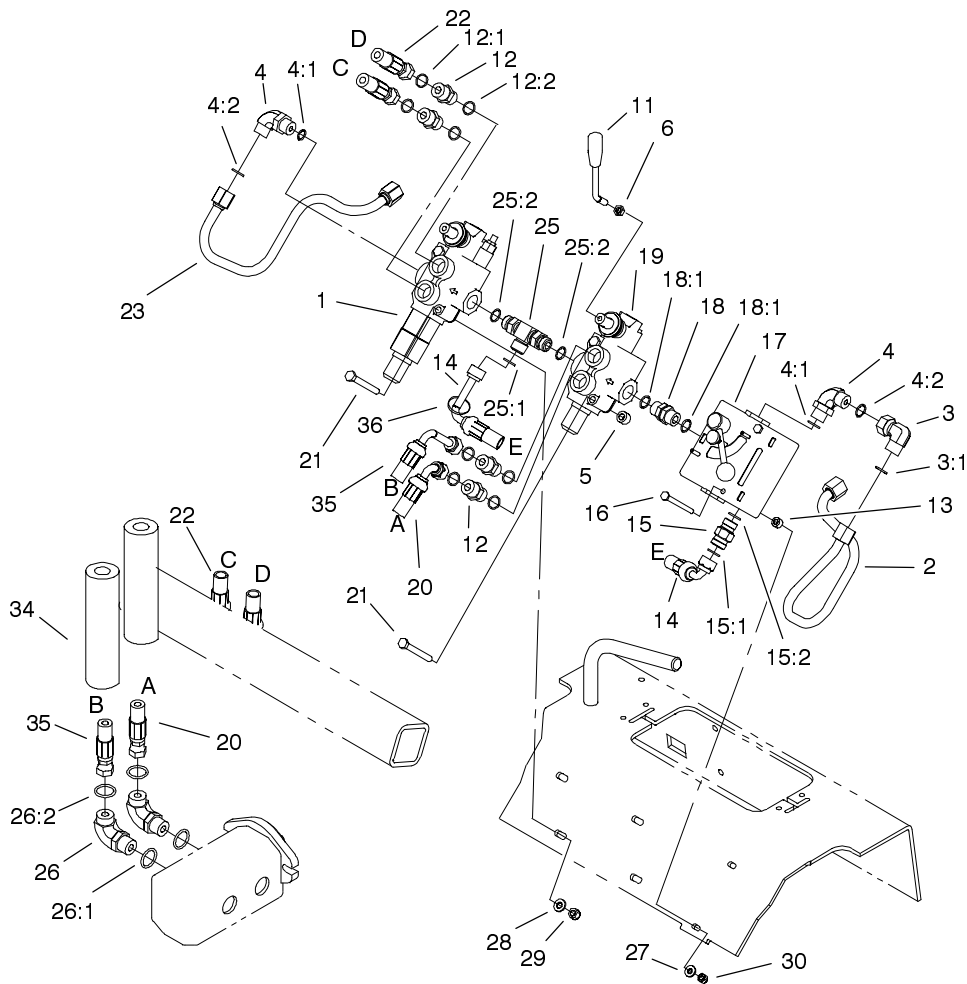


Sheet No.:8

## Auxiliary Control Lever Assembly

Ref. No.	Part No.	Qty.	Description
1	98-9090	1	Grip - Control
2	3234-5	2	Screw-HHF
3	33104-030	1	Screw-HHF
4	99-1376	1	Mount - Control
5	32128-44	2	Nut
10	42-9580	1	Nut-Hex

Ref. No.	Part No.	Qty.	Description



Sheet No.:9

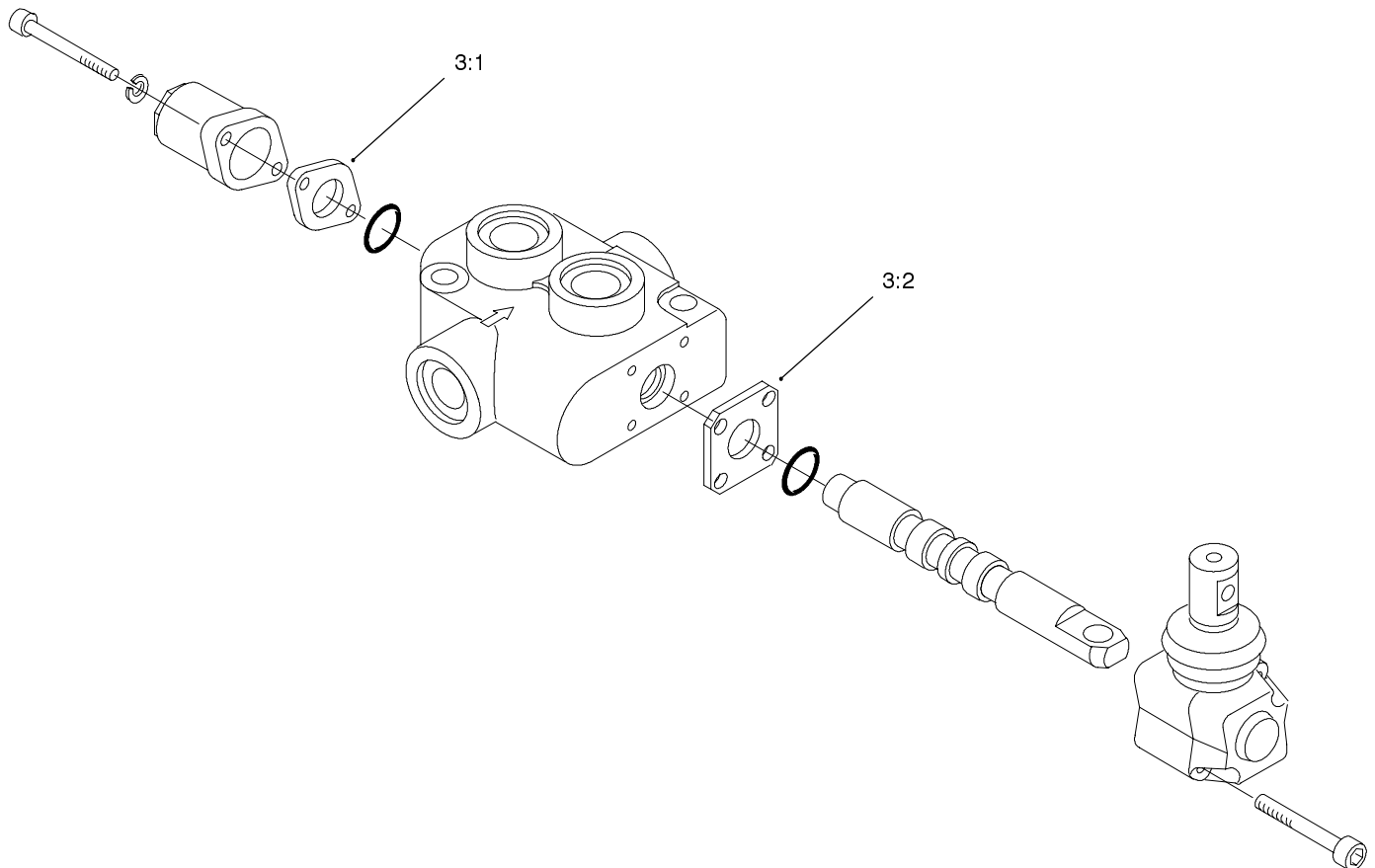
## Hydraulic Valve Assembly

Ref. No.	Part No.	Qty.	Description
1	99-3077	1	Valve-Aux, Hydraulic
2	99-3030	1	Line-Hydraulic, Cf
3	94-6031	1	Fitting-Hydraulic
3:1	237-30	1	O-Ring
4	340-98	2	Fitting-90 DEG
4:1	237-79	1	O-Ring
4:2	237-30	1	O-Ring
5	98-4695	4	Tube-Spacer
6	42-9580	1	Nut-Hex
11	98-4729	1	Lever-Valve
12	340-4	4	Adapter
12:1	237-30	1	O-Ring
12:2	237-79	1	O-Ring
13	98-4799	2	Tube-Spacer
14	98-4744	1	Hose ASM
15	98-4735	1	Valve-Check, Hyd
15:1	237-30	1	O-Ring
15:2	237-79	1	O-Ring
16	321-14	2	Screw-HH
17	104-4221	1	Kit-Valve, Hydraulic
18	95-3209	1	Fitting-Thread, Straight
18:1	237-79	2	O-Ring
19	99-3072	1	Valve-Selector, Hydraulic

Ref. No.	Part No.	Qty.	Description
20	98-4747	1	Hose-Hydraulic, High Pressure
21	322-13	4	Screw-HH
22	100-8817	2	Hose-Aux
23	98-4724	1	Line-Aux, Hydraulic
25	98-9079	1	Adapter - Tee, Adjustable
25:1	237-30	1	O-Ring
25:2	237-79	2	O-Ring
26	340-105	2	Fitting-90 DEG
26:1	237-80	1	O-Ring
26:2	237-30	1	O-Ring
27	3256-22	2	Washer-Flat
28	3256-23	4	Washer-Flat
29	3296-29	4	Nut-Lock
30	3296-42	2	Nut-Lock, NI
34	100-8818	2	Sleeve-Hose, Gaurd
35	99-3008	1	Hose-Hydraulic
36	3290-379	9	Tie-Cable







Sheet No.:A5  
C-2983

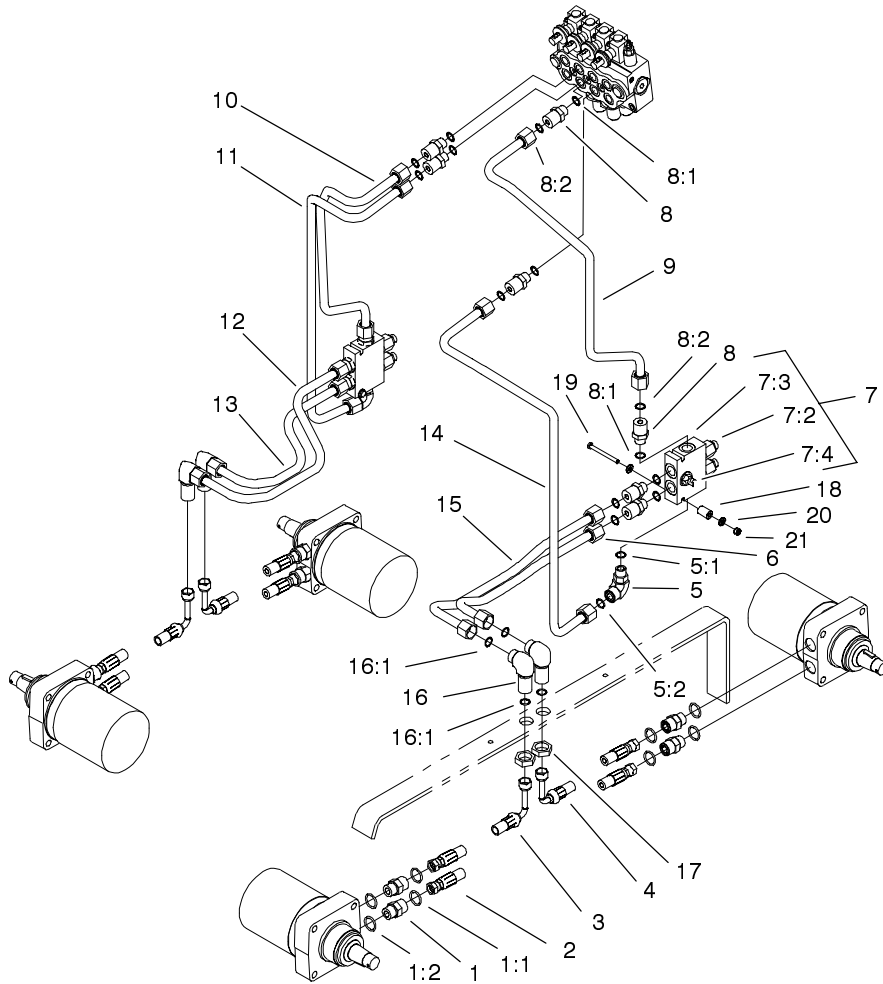
## Hydraulic Selector Valve Assembly No. 99-3072

Ref. No.	Part No.	Qty.	Description
3	99-4391	1	Kit-Seal
3:1	99-3074	1	Gasket
3:2	99-3075	3	Gasket

Ref. No.	Part No.	Qty.	Description







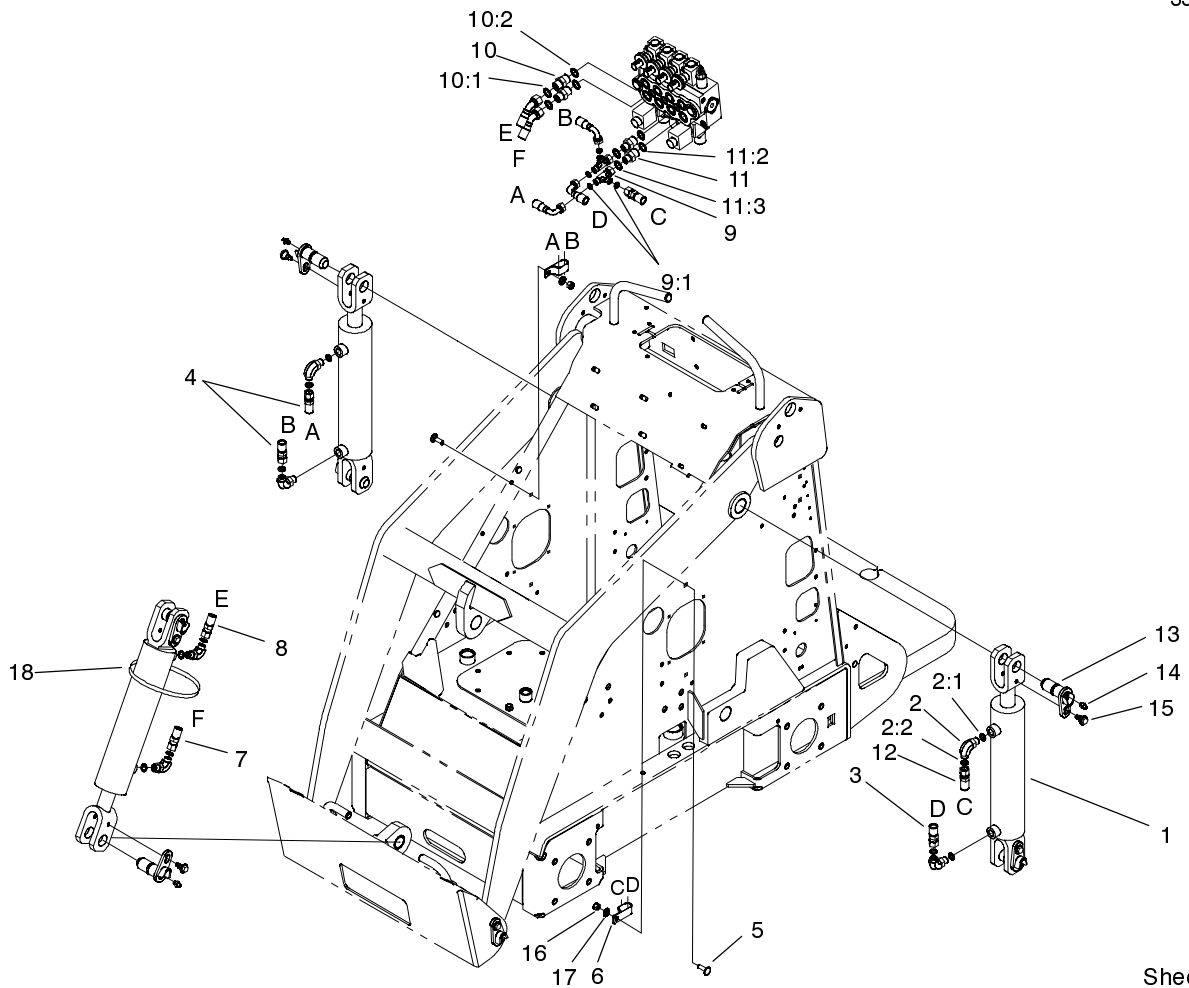
Sheet No.:12

## Hydraulic Motor Assembly

Ref. No.	Part No.	Qty.	Description
1	340-7	8	Adapter
1:1	237-65	1	O-Ring
1:2	237-80	1	O-Ring
2	99-3012	2	Hose-Motor, Hydraulic
3	99-3010	2	Hose-Motor, Front Hydraulic
4	99-3011	2	Hose-Motor, Rear Hydraulic
5	340-153	2	Fitting-Hydraulic
5:1	237-79	1	O-Ring
5:2	237-151	1	O-Ring
6	99-3022	1	Line-Hydraulic
7	99-3040	2	Valve-Counterbalance
7:2	99-3271	2	Valve - Cartridge
*7:2:99	98-2712	1	Kit-Seal, Valve
7:3	100-8864	1	Manifold ASM
7:4	100-8865	1	Needle Valve ASM
8	340-155	10	Fitting-Hydraulic
8:1	237-79	1	O-Ring
8:2	237-151	1	O-Ring
9	99-3027	1	Line-Hydraulic
10	99-3024	1	Line-Hydraulic
11	99-3029	1	Line-Hydraulic
12	99-3025	1	Line-Hydraulic
13	99-3028	1	Line-Hydraulic
14	99-3023	1	Line-Hydraulic

Ref. No.	Part No.	Qty.	Description
15	99-3026	1	Line-Hydraulic
16	340-72	4	Elbow-Bulkhead Union, 90 DEG
16:1	237-65	2	O-Ring
17	340-74	4	Locknut-Bulkhead
18	99-3057	2	Spacer-Valve
19	321-23	2	Screw-HH (only on: 22305)
20	3256-22	4	Washer-Flat
21	3296-42	2	Nut-Lock, NI

\* Not illustrated

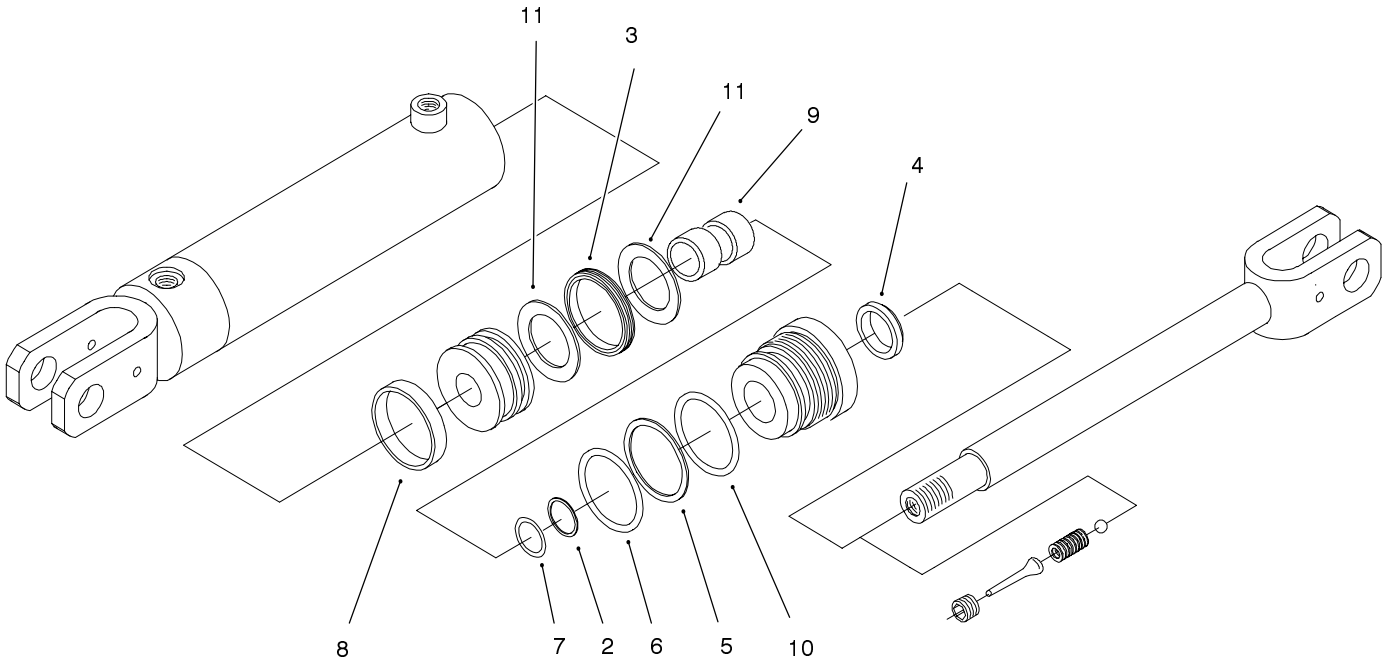


Sheet No.:13

## Hydraulic Cylinder Installation Assembly

Ref. No.	Part No.	Qty.	Description
1	100-4163	3	Kit-Cylinder, Hydraulic
2	340-82	6	Adapter
2:1	237-42	1	O-Ring
2:2	237-21	1	O-Ring
3	98-4748	1	Hose-Hydraulic, Lo Pressure
4	98-4725	2	Hose-Loader, Hydraulic
5	3230-2	2	Screw-CARR
6	2412-137	2	Clamp-Tube
7	98-4726	1	Hose-Hydraulic
8	98-4727	1	Hose-Hydraulic
9	340-151	2	Fitting
9:1	237-75	3	O-Ring
10	340-3	2	Adapter
10:1	237-22	1	O-Ring
10:2	237-79	1	O-Ring
11	340-133	2	Adapter
11:2	237-79	1	O-Ring
11:3	237-21	1	O-Ring
12	99-3109	1	Hose-Loader, Hydraulic
13	99-1414	6	Pin-Pivot
14	302-5	6	Fitting-Grease
15	99-5105	6	Bolt-Shoulder
16	3296-29	2	Nut-Lock

Ref. No.	Part No.	Qty.	Description
17	3256-23	2	Washer-Flat
18	3334-945	1	Tie-Cable



1-2-11

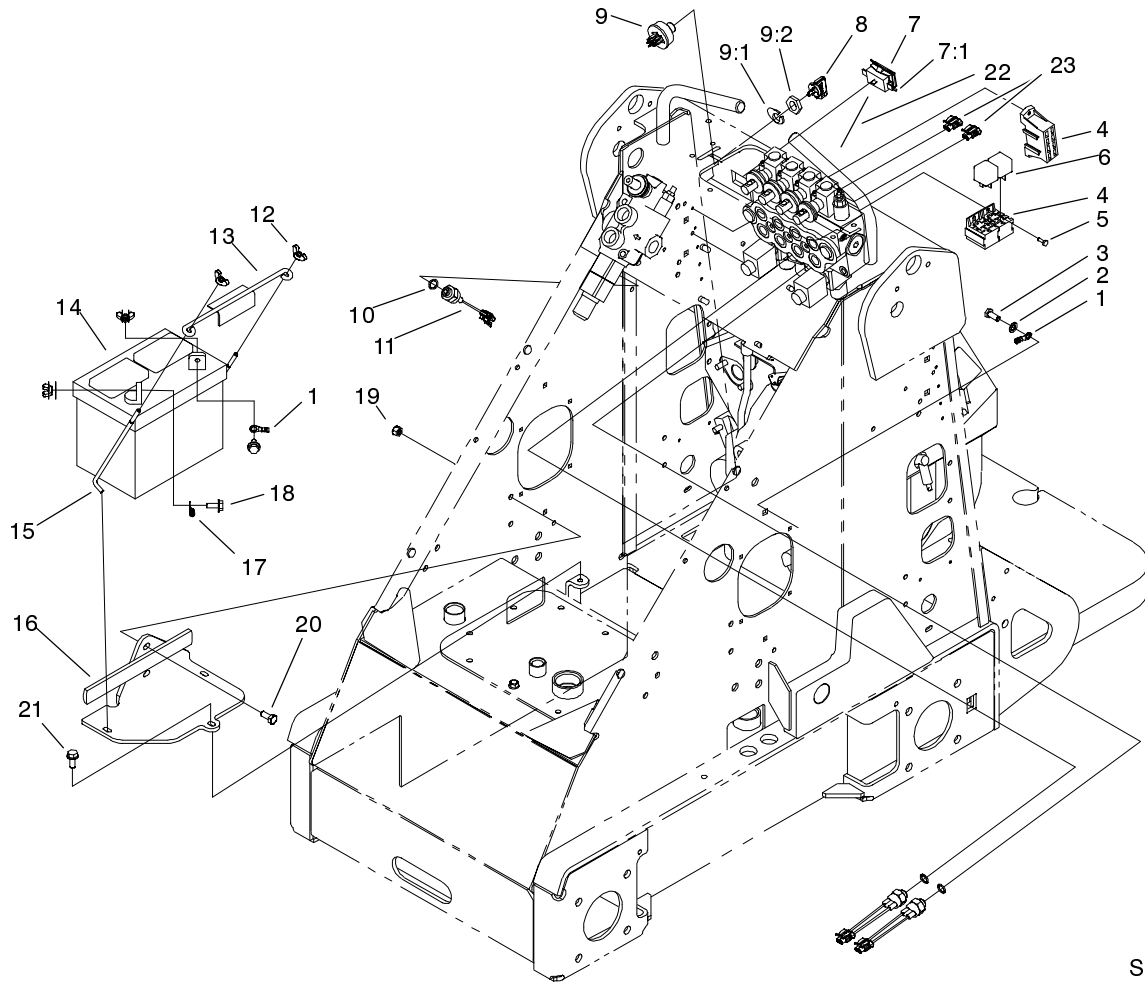
**Parts not listed in partslist are not serviced seperately.**

Sheet No.:A7  
C-2985

## Hydraulic Cylinder Assembly No. 99-3051

Ref. No.	Part No.	Qty.	Description
1	99-3065	1	Kit-Seal, Hydraulic Cylinder

Ref. No.	Part No.	Qty.	Description



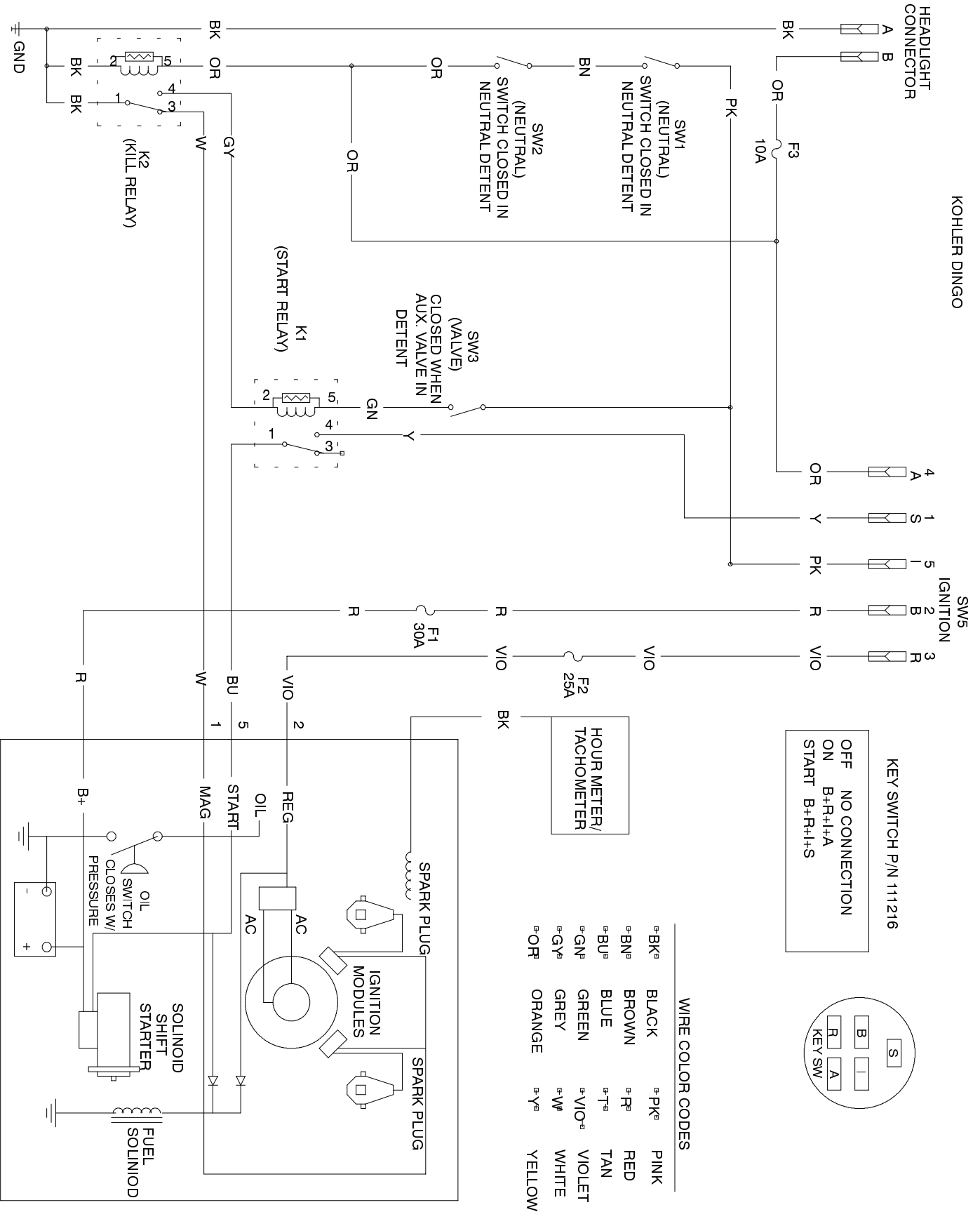
Sheet No.:16

## Electrical Components Assembly

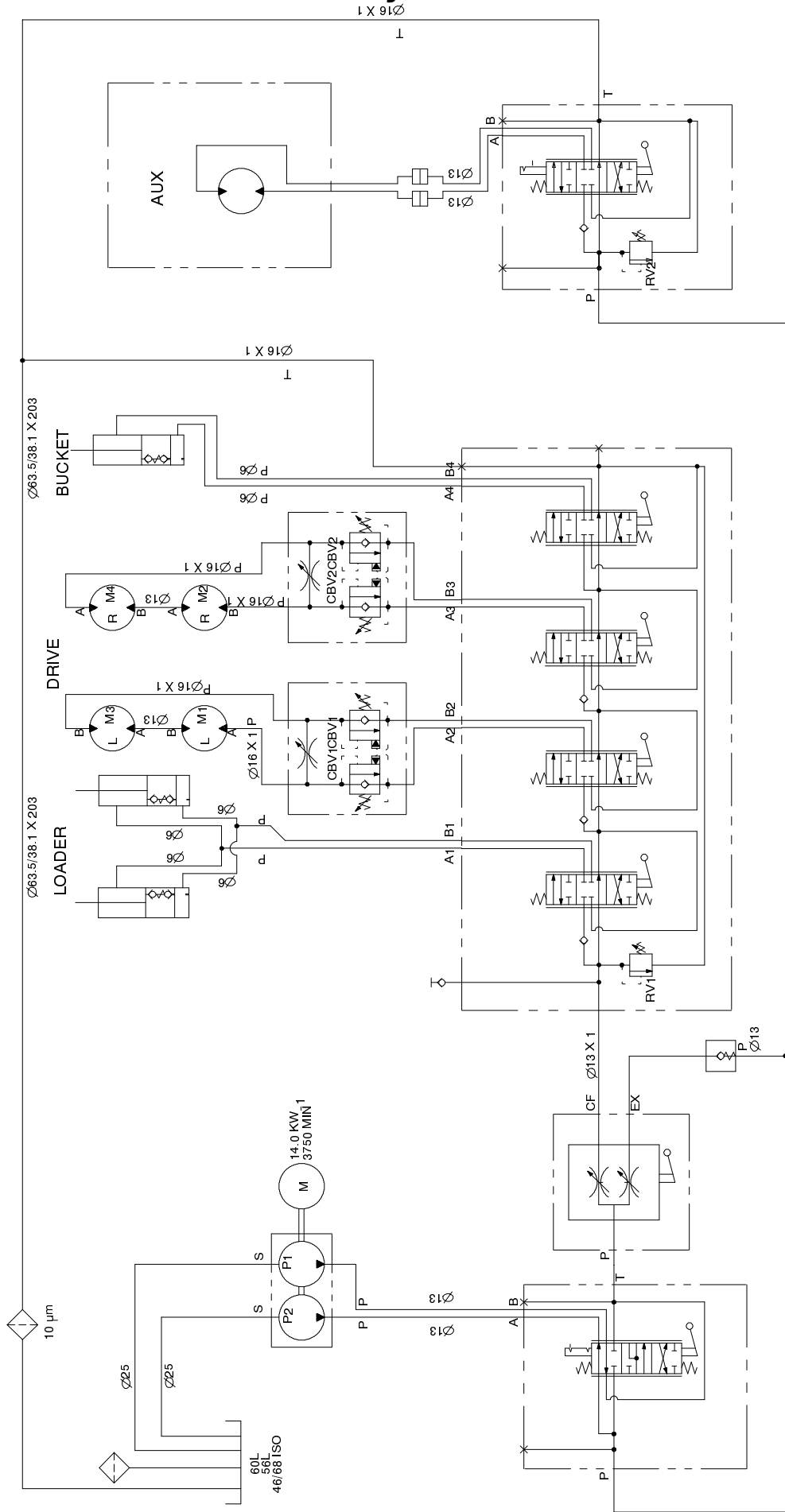
Ref. No.	Part No.	Qty.	Description	Ref. No.	Part No.	Qty.	Description
1	111075	1	Wire ASM	20	322-4	2	Screw-HH
2	3255-8	1	Washer-Lock/Ext	21	32144-70	1	Screw-HH
3	33114-020	3	Screw-HH	22	104-7408	1	Wire-Hourmeter, Inductive
4	104-7411	1	Harness-Wire, Dingo Kohler Ce	23	99-1433	2	Connector-Female
5	32144-87	3	Screw-Forming, Thread	*99	3290-381	6	Tie - Cable
6	98-7249	2	Relay-Speedometer				
7	104-7428	1	Hourmeter-Inductive, Mini				
7:1	104-4234	1	Clip-Mounting, Hourmeter				
8	63-8360	2	Key-Ignition				
9	111216	1	Ignition Switch ASM				
9:1	9201604	1	Lockwasher				
9:2	101884	1	Nut				
10	237-42	3	O-Ring				
11	72-4310	3	Switch				
12	32103-22	4	Nut-Wing				
13	113010	1	Down-Hold, Battery				
14	94-1867	1	Battery				
15	99-5027	2	Retainer - Battery				
16	99-3060-03	1	Battery Mount ASM				
17	100-1712	1	Cable-Positive				
18	3234-4	2	Screw-HHF				
19	3296-29	2	Nut-Lock				

\* Not illustrated

# Electrical Schematic

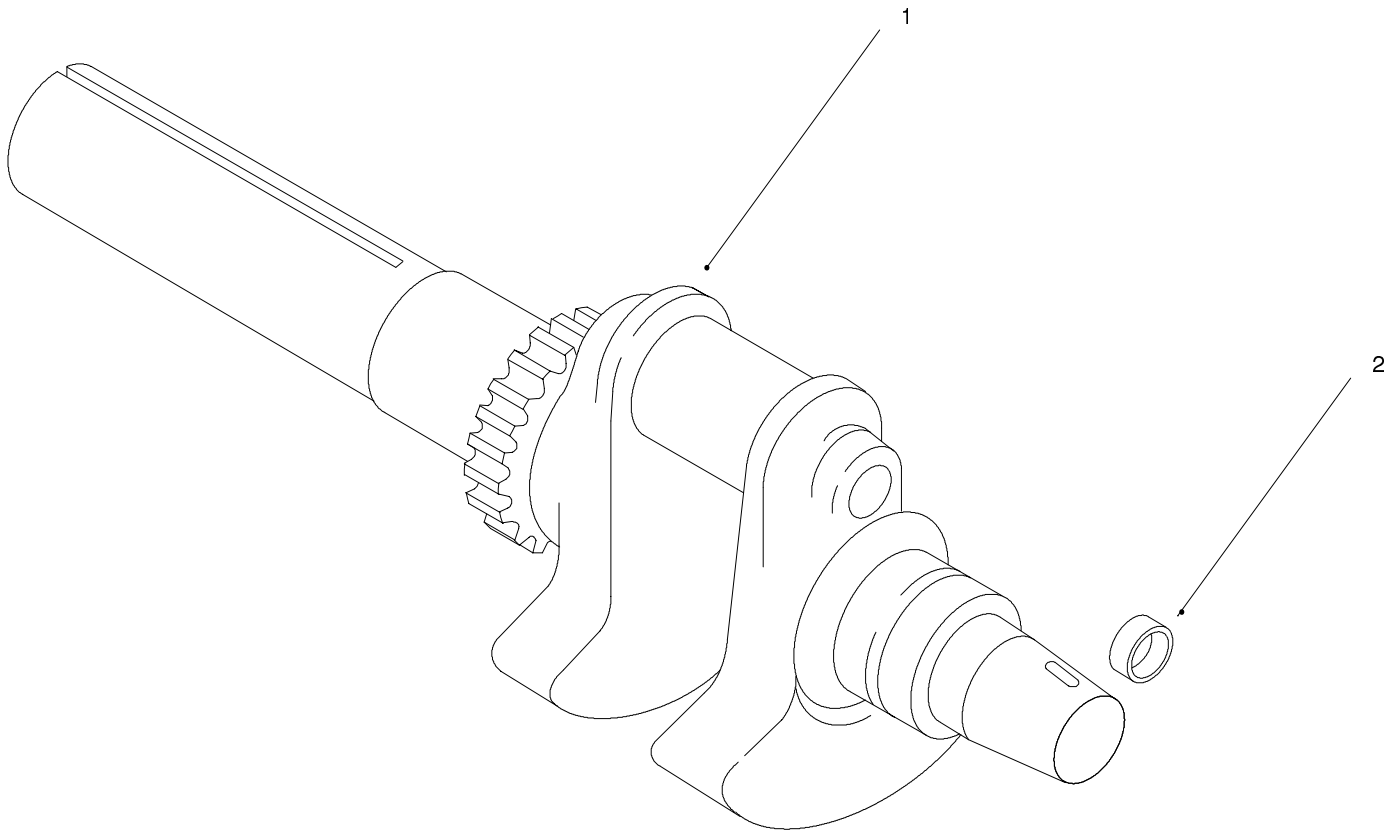


# Hydraulic Schematic



DISPLACEMENT AND PRESSURE CHART		
COMPONENT	PRESSURE	FLOWRATE*
DISPLACEMENT	BAR	GPM
CU IN/REV	PSI	LPM
P1	3000	8.5
P2	3000	3.7
M1, M3	207	
M2, M4	207	
RV1	1000	
RV2	1000	
CBV1	1000	
CBV2	1000	

\* FLOWRATE CALCULATED AT 3750 RPM AND 95% EFFICIENCY.

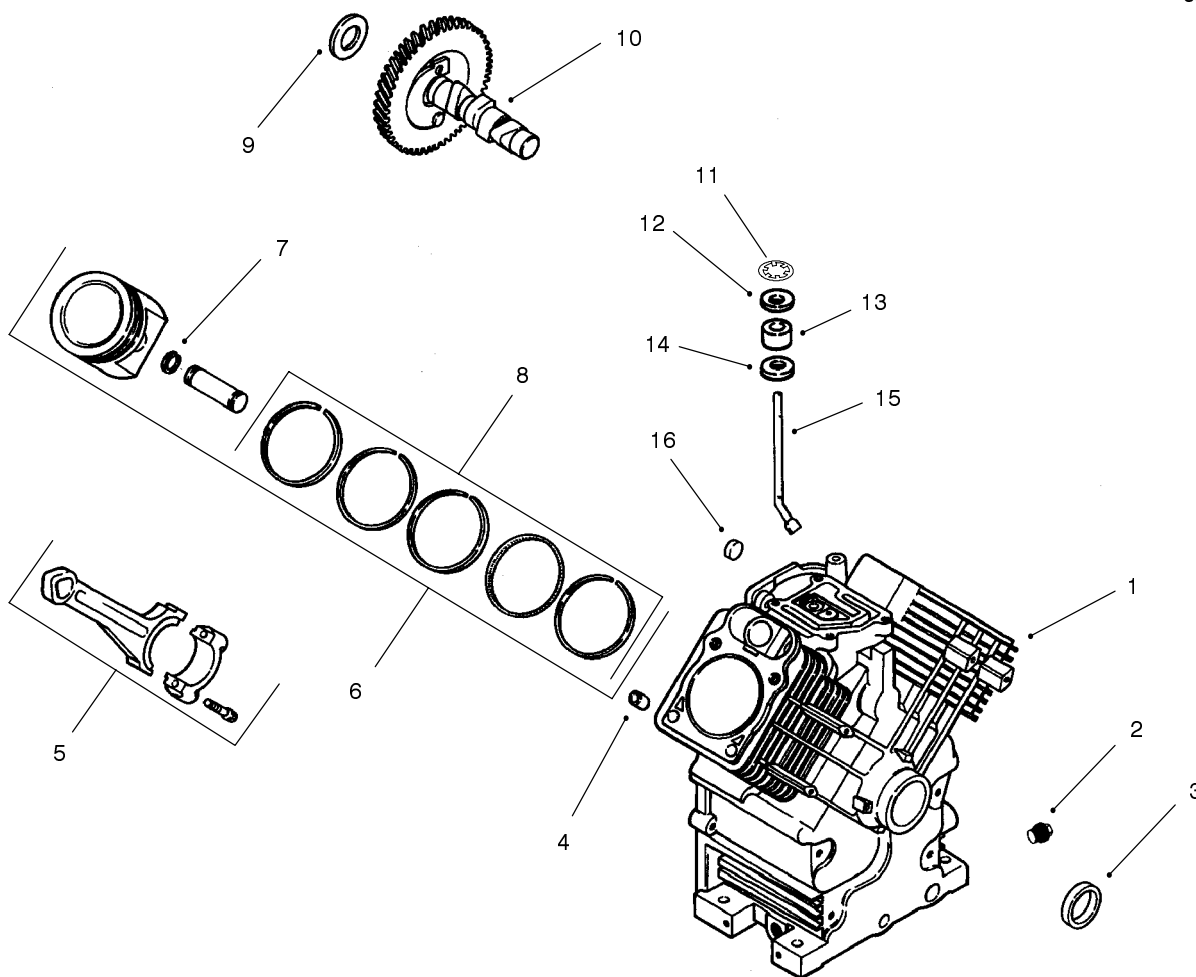


## Crankshaft Assembly (Group 1) Engine: Kohler CH22S PS-66559

Ref. No.	Part No.	Qty.	Description
1	24 014 90-S	1	Crankshaft (Includes 2)
2	52 139 09-S	1	Plug-Cup

Ref. No.	Part No.	Qty.	Description

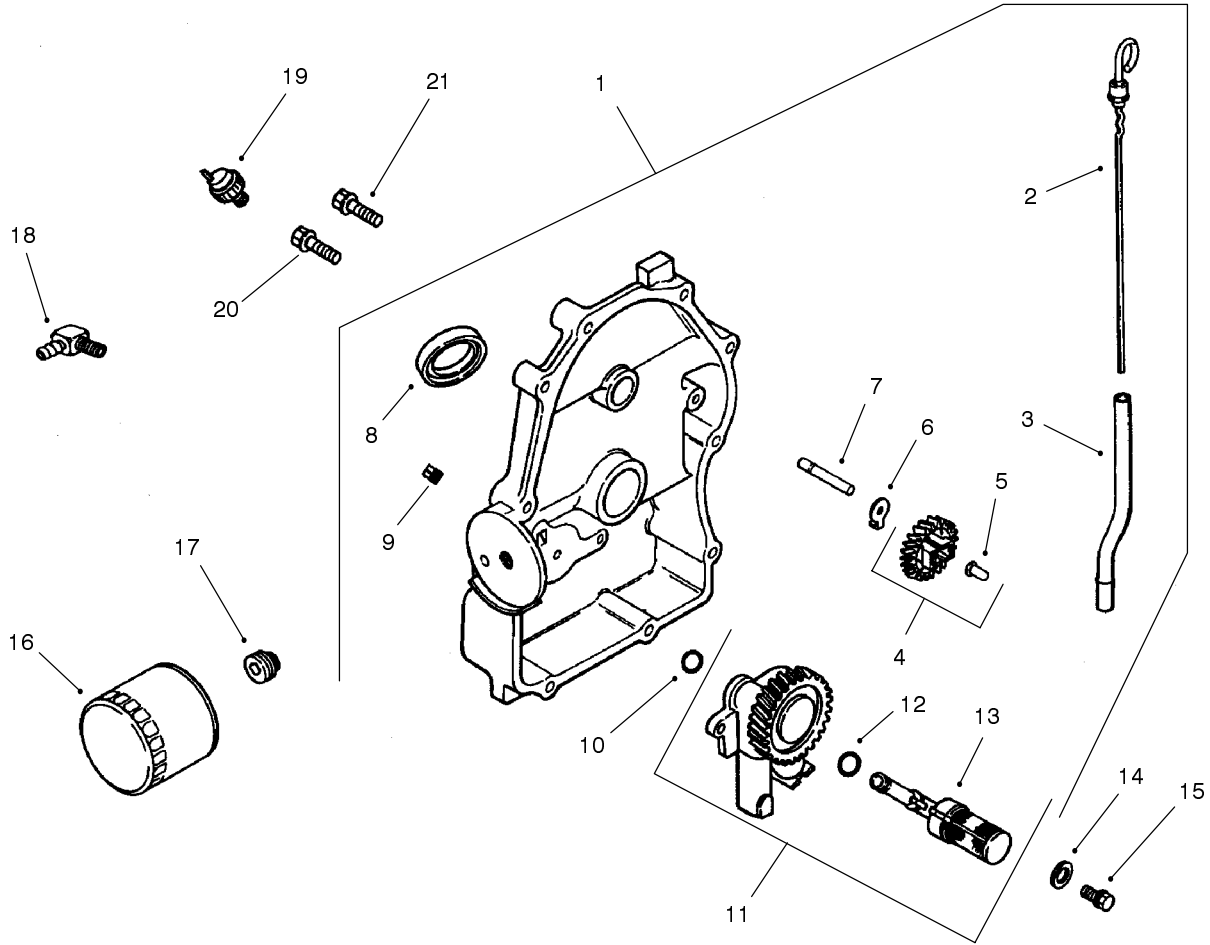
Obtain parts from Kohler



## Crankcase Assembly (Group 2) Engine: Kohler CH22S PS-66559

Ref. No.	Part No.	Qty.	Description	Ref. No.	Part No.	Qty.	Description
1		1	Block-Cylinder (Use Miniblock 24 782 15)		12 422 10-S	A/R	Shim-Camshaft, Yellow
2	52 139 02-S	2	Plug-Drain		12 422 11-S	A/R	Shim-Camshaft, Green
3	24 032 01-S	1	Seal-Oil, Front		12 422 12-S	A/R	Shim-Camshaft, Gray
4	12 380 13-S	6	Pin-Dowel, Locating	10	24 012 05-S	1	Camshaft
5	24 067 13-S	2	Rod-Connecting (Std.)	11	24 018 09-S	1	Ring-Retainer
	24 067 14-S	2	Rod-Connecting (.25)	12	M-931010-S	1	Washer-Flat
6	24 874 01-S	2	Set-Piston w/Ring (Std.) (Includes 7, 8)	13	28 032 09-S	1	Seal-Shaft, Governor Cross
	24 874 14-S	2	Piston w/Ring (.08)	14	24 468 15-S	1	Washer-Plain
	24 874 18-S	2	Set-Piston w/Ring (.25)	15	24 144 33-S	1	Shaft-Cross, Governor
	24 874 19-S	2	Set-Piston w/Ring (.50)	16	52 139 09-S	1	Plug-Cup
7	24 018 01-S	4	Retainer-Pin, Piston				
8	24 108 11-S	2	Set-Ring (Std.)				
	24 108 12-S	2	Set-Ring (.25)				
	24 108 13-S	2	Set-Ring (.50)				
9	12 422 09-S	A/R	Shim-Camshaft, Red				
	12 422 13-S	A/R	Shim-Camshaft, Black				
	12 422 07-S	A/R	Shim-Camshaft, White				
	12 422 08-S	A/R	Shim-Camshaft, Blue				

Obtain parts from Kohler

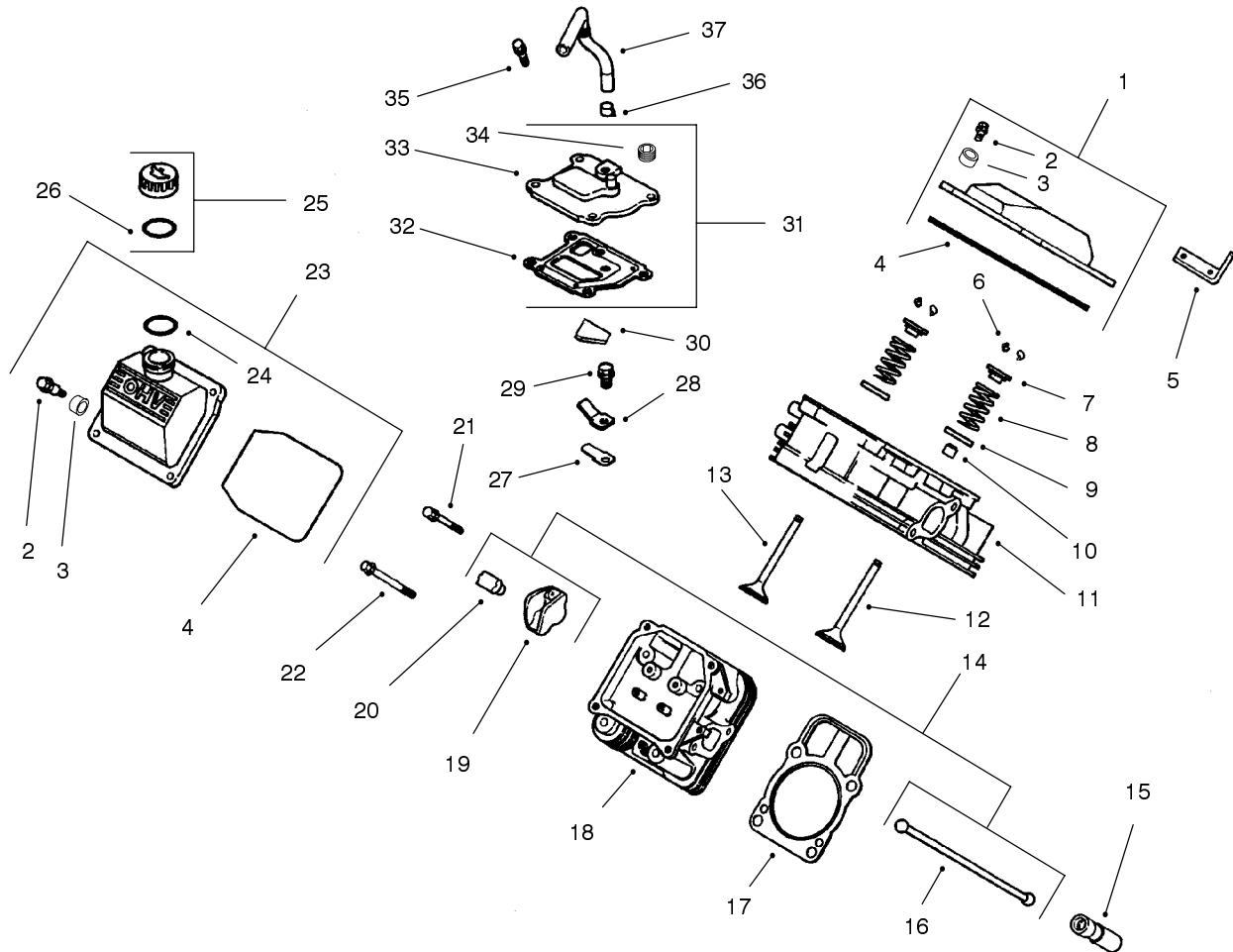


### Oil Pan/Lubrication Assembly (Group 3) Engine: Kohler CH22S PS-6659

Ref. No.	Part No.	Qty.	Description
1	24 009 82-S	1	Closure Plate ASM (Includes 2-13)
2	24 038 10-S	1	Dipstick
3	24 123 16-S	1	Tube-Dipstick
4	24 043 12-S	1	Kit-Gear, Governor (Includes 5)
5	12 380 01-S	1	Pin-Regulating, Governor
6	52 448 02-S	1	Tab-Locking
7	12 144 02-S	1	Shaft-Gear, Governor
8	52 032 08-S	1	Seal-Oil (PTO end)
9	X-75-23	2	Plug-Pipe, 1/8"
10	24 153 08-S	1	O-Ring
11	24 393 10-S	1	Oil pump ASM (Includes 12,13)
12	24 153 01-S	1	O-Ring, Oil Pick-up
13	24 381 04-S	1	Pick-up, Oil
14	M-631005-S	2	Washer-Plain, 6 mm
15	M-645025-S	2	Screw-HF
16	52 050 02-S	1	Filter-Oil
17	24 136 01-S	1	Nipple-Filter, Oil
18	25 155 02-S	1	Connector
19	24 099 03-S	1	Switch-Pressure

Ref. No.	Part No.	Qty.	Description
20	24 086 16-S	9	Screw-HF
21	24 086 17-S	1	Screw-HF

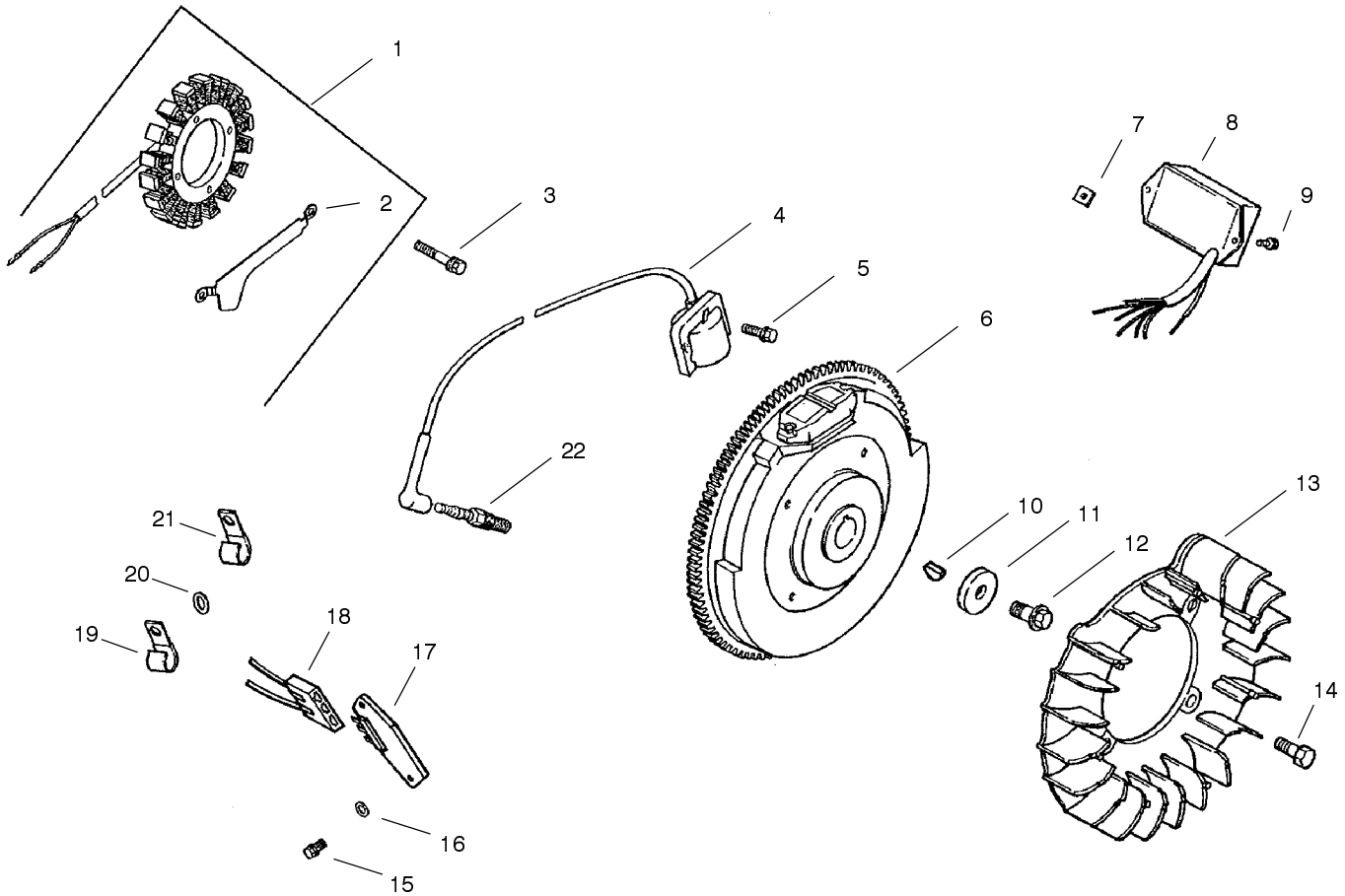
Obtain parts from Kohler



## Head/Valve/Breather Assembly (Group 4) Engine: Kohler CH22S PS-66559

Ref. No.	Part No.	Qty.	Description	Ref. No.	Part No.	Qty.	Description
1	24 755 74-S	1	Kit-Valve cover, Plain (Includes 3-4)	21	M-640034-S	4	Screw-HF
2	M-651030-S	4	Screw-Shoulder	22	12 086 16-S	8	Screw-HF
3	24 112 08-S	4	Spacer	23	24 755 75-S	1	Kit-Valve Cover, Oil Fill (Includes 2-4, 24)
4	24 153 16-S	1	O-Ring-Caover, Valve	24	24 153 09-S	1	O-Ring
5	24 445 01-S	1	Strap-Lifting	25	24 755 46-S	1	Kit-Cap, Oil Fill (Includes 26)
6	12 755 03-S	4	Kit-Retainer	26	12 153 03-S	1	O-Ring-Cap, Oil Fill
7	12 173 01-S	4	Cap-Spring, Valve	27	24 402 03-S	1	Reed- Breather
8	24 089 02-S	4	Spring-Valve	28	12 018 01-S	1	Retainer-Reed, Breather
9	235011-S	4	Retainer-Spring	29	M-545010-S	1	Screw-HF
10	24 032 05-S	2	Seal-Stem, Valve	30	24 050 01-S	1	Filter-Breather
11	24 318 09-S	1	#1 Cylinder Head ASM	31	24 033 01-S	1	Kit-Breather (Includes 32-34)
12	24 017 01-S	2	Valve-Intake ( Std.)	32	24 041 23-S	1	Gasket-Breather
	24 017 02-S	2	Valve-Intake (.25)	33	24 096 58-S	1	Cover-Breather
13	24 016 01-S	2	Valve-Exhaust (Std.)	34	X-75-23-S	1	Plug-Pipe, Allen Head
	24 016 02-S	2	Valve-Exhaust (.25)	35	M-645020-S	4	Screw-HF
14	24 755 66-S	1	Kit-Train, Valve (Includes 16,19, 20)	36	25 237 08-S	2	Clamp-Hose
15	12 351 01-S	4	Lifter-Valve	37	24 326 31-S	1	Hose-Breather
16	24 411 05-S	4	Rod-Push				
17	24 041 08-S	2	Gasket-Head, Cylinder				
18	24 318 10-S	1	#2 Cylinder Head ASM				
19	25 186 01-S	4	Arm-Rocker				
20	24 599 01-S	4	Pivot-Arm, Rocker				

Obtain parts from Kohler



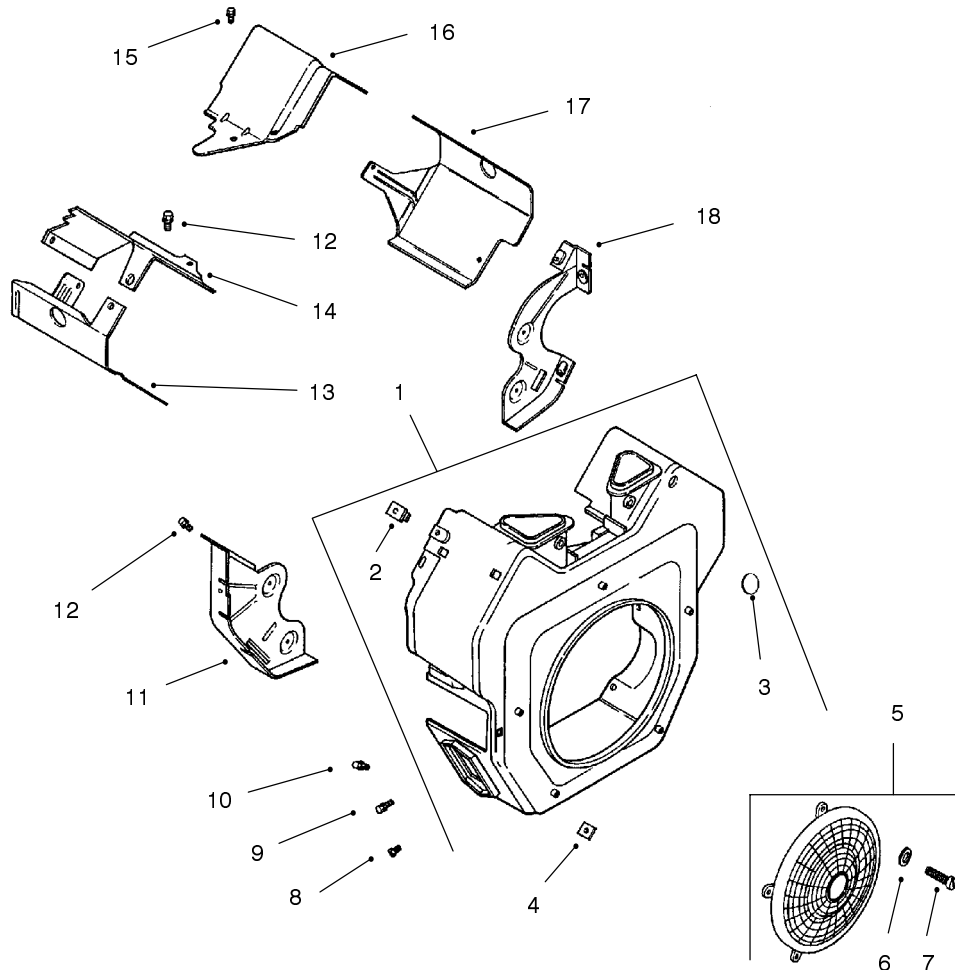
## Ignition/Electrical Assembly (Group 5) Engine: Kohler CH22S PS-6659

Ref. No.	Part No.	Qty.	Description
1	54 755 09-S	1	Kit-Stator, 15 amp (Incl. 2)
2	24 126 71-S	1	Bracket-Wire, Stator
3	M-548025-S	2	Screw-Cap, Hex
4	24 584 15-S	2	Module-Ignition
5	M-561025-S	4	Screw-HSH
6	24 025 05-S	1	Flywheel
7	24 100 02-S	2	Nut-Plastic
8	24 584 09-S	1	Module-Advance, Speed
9	24 086 41-S	2	Screw
10	X-42-15-S	1	Key
11	12 468 03-S	1	Washer-Plain
12	12 086 14-S	1	Screw-HF
13	24 157 03-S	1	Fan
14	25 086 47-S	4	Bolt-Shoulder
15	24 086 18-S	2	Screw-Head, Phillips
16	X-25-92-S	2	Washer-Plain
17	25 403 03-S	1	Rectifier-Regulator
18	236602-S	1	Connector
19	47 154 01-S	1	Clip-Cable
20	X-25-63-S	1	Washer-Plain
21	48 154 02-S	1	Clip-Cable
22	12 132 06-S	2	Plug-Spark

Ref. No.	Part No.	Qty.	Description
*	25 518 12-S	1	Lead-Black, (4" - 18 gauge - insulated grip barrel eyelet terminals)
*	24 176 42-S	1	Harness-Wiring
*	X-22-11-S	1	Washer-Lock
*	25 454 03-S	1	Tie-Wire

Obtain parts from Kohler

\* Not illustrated

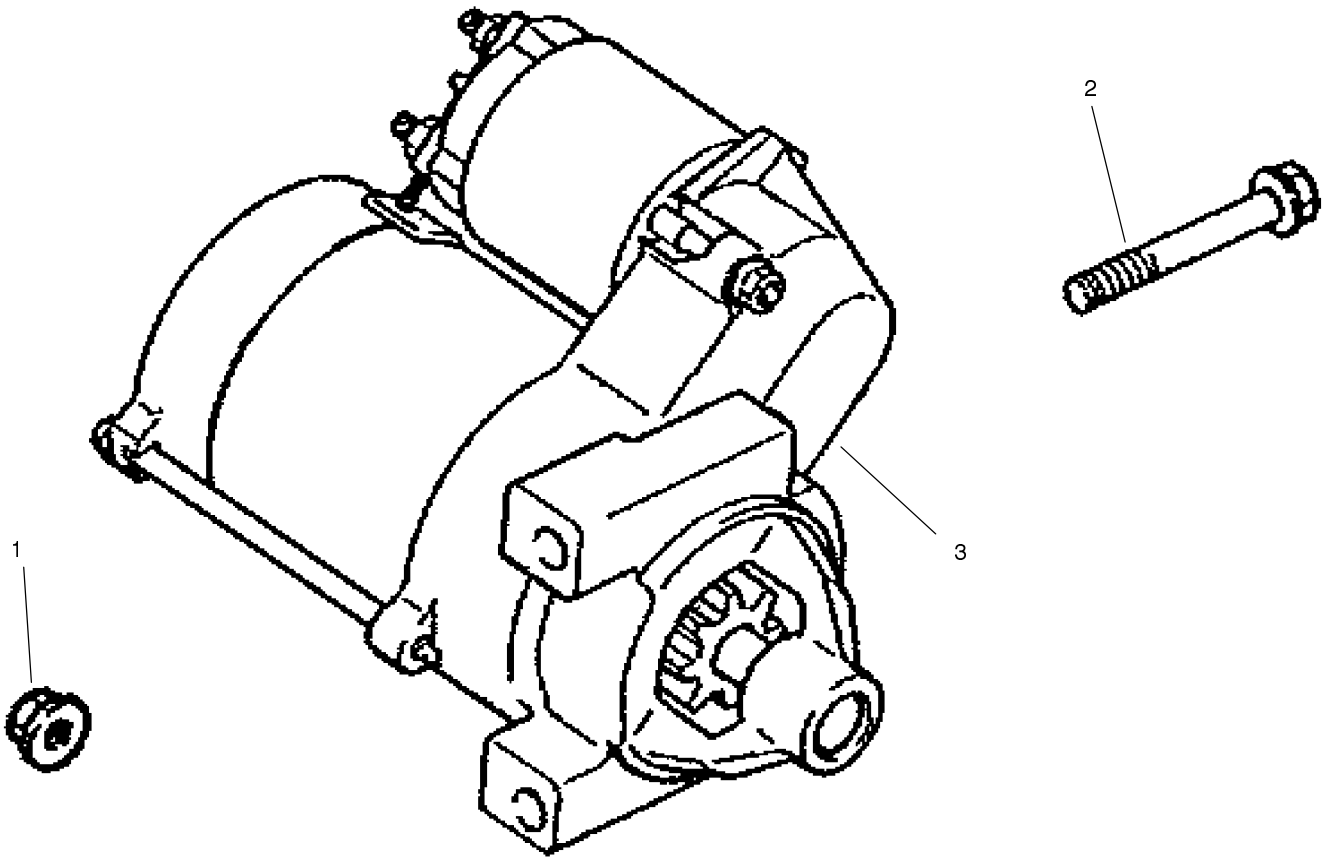


## Blower Housing and Baffles Assembly (Group 6) Engine: Kohler CH22S PS-66559

Ref. No.	Part No.	Qty.	Description	Ref. No.	Part No.	Qty.	Description
1	24 027 40-S	1	Housing-Blower (Includes 2-5)	*	24 332 01-S	5	Insert-Threaded
2	24 100 02-S	2	Nut-Plastic	*	24 113 18-S	1	Decal-Screen, Grass
3	25 139 16-S	1	Plug-Button	*	24 113 96-S	1	Decal-22HP
4	24 100 01-S	2	Nut-Plastic				
5	24 755 81-S	1	Kit-Guard, Fixed (Includes 6, 7, 24 332 01-S & 24 113 18-S)				
6	24 468 10-S	5	Washer-Plain				
7	24 086 35-S	5	Screw-Head, Pan				
8	M-551016-S	1	Screw-HF				
9	M-545016-S	5	Screw-HF				
10	M-545020-S	2	Screw-HF				
11	24 146 02-S	1	Plate-Backing, #2 Side				
12	M-645016-S	6	Screw-HF				
13	24 063 20-S	1	Baffle-Cylinder Barrel, #2 Side				
14	24 063 17-S	1	Baffle-Valley, #2 Side				
15	M-545010-S	2	Screw-HF				
16	24 063 24-S	1	Baffle-Valley, #1 Side				
17	24 063 58-S	1	Baffle-Cylinder Barrel, #1 Side				
18	24 146 20-S	1	Plate-Backing, #1 side				

Obtain parts from Kohler

\* Not illustrated

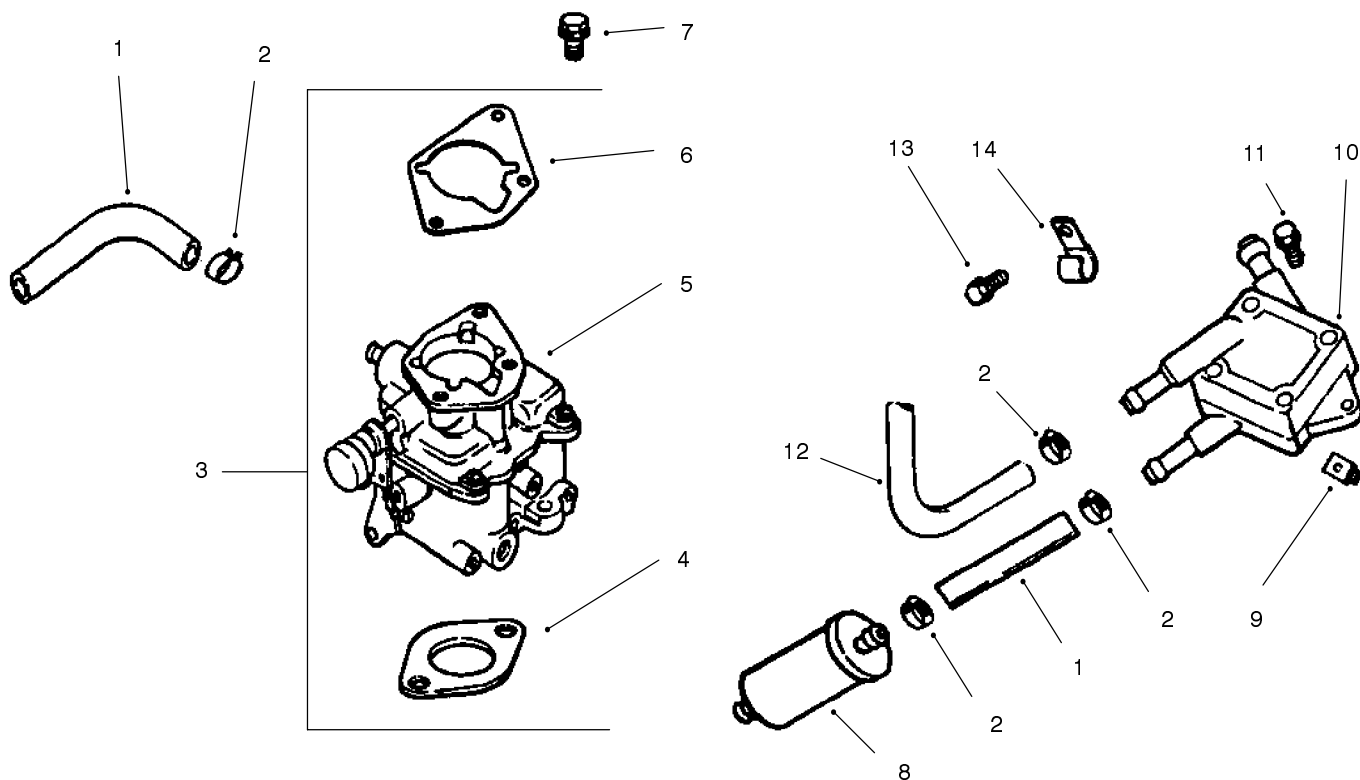


**Starting System Assembly (Group 7)**  
**Engine: Kohler CH22S PS-66559**

Ref. No.	Part No.	Qty.	Description
1	M-841080-S	1	Nut-HF
2	M-839080-S	2	Screw-HF
3	25 098 08-S	1	Solenoid Shift Starter ASM

Ref. No.	Part No.	Qty.	Description

Obtain parts from Kohler



## Fuel System Assembly (Group 8) Engine: Kohler CH22S PS-66559

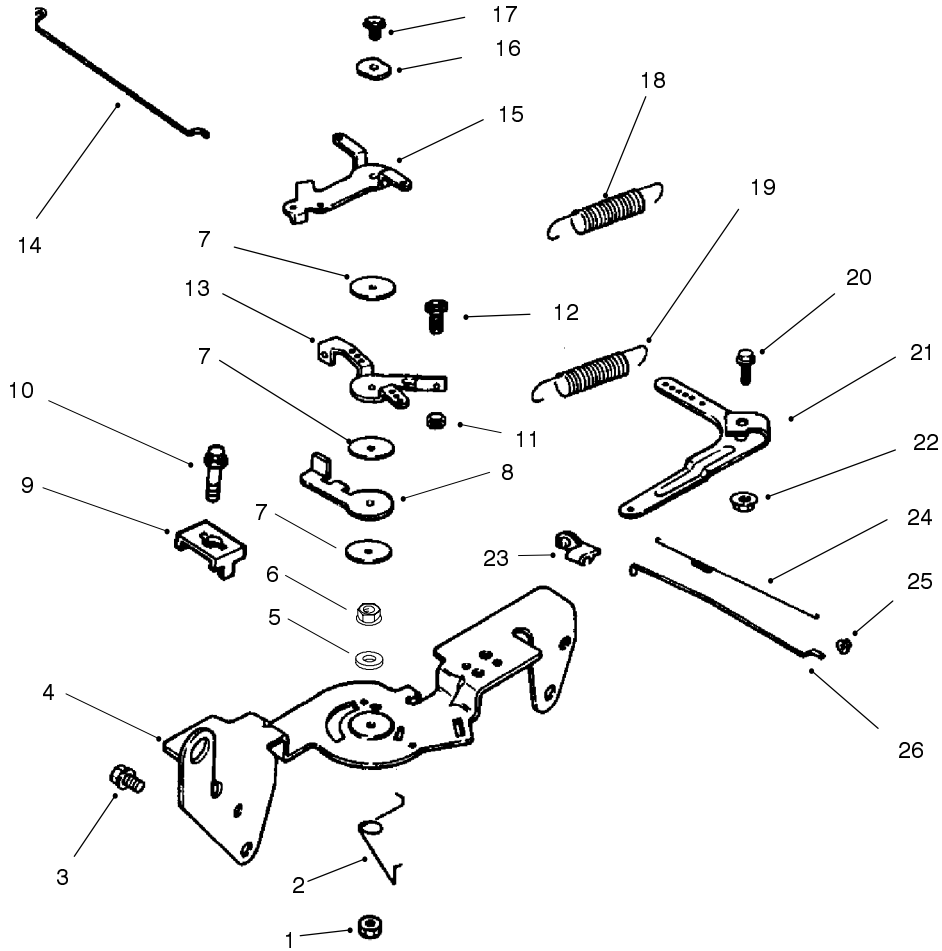
Ref. No.	Part No.	Qty.	Description
1	25 353 10-S	2	Line-Fuel, 9"
2	25 237 14-S	6	Clamp-Hose
3	24 853 32-S	1	Kit-Carburetor w/Gasket (Includes 4-6)
4	24 041 17-S	1	Gasket-Carburetor
†5	24 053 32-S	1	Carburetor ASM (Includes 25 757 01-S, 24 757 02-S, 24 757 03-S, & 24 757 07-S)
6	24 041 06-S	1	Gasket-Base, Air Cleaner
7	M-651030-S	2	Screw-HF
8	24 050 02-S	1	Filter-Fuel
9	24 100 01-S	2	Nut-Plastic
10	24 393 16-S	1	Pump-Fuel, Pulse
11	24 086 12-S	2	Screw
12	24 353 02-S	1	Line-Fuel, 15-1/2"
13	M-650012-S	1	Screw-HF
14	47 154 01-S	1	Clip-Cable
*	24 757 01-S	1	Kit-Soleniod
*	24 757 02-S	1	Kit-Float

Ref. No.	Part No.	Qty.	Description
*	24 757 03-S	1	Kit-Repair, Carburetor
*	24 757 07-S	1	Kit-Repair, Choke

Obtain parts from Kohler

\* Not illustrated

† For information only; not available separately

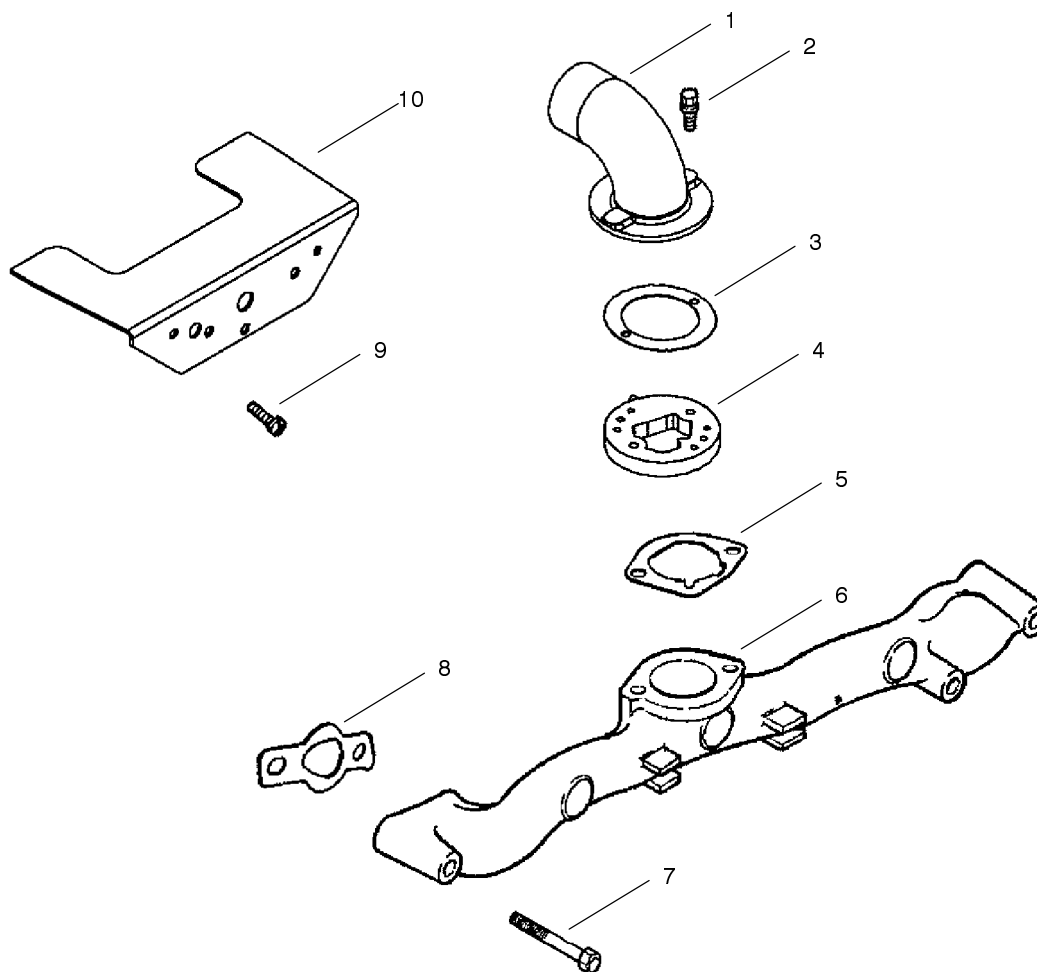


### Engine Controls Assembly (Group 9) Engine: Kohler CH22S PS-6659

Ref. No.	Part No.	Qty.	Description
1	M-547050-S	1	Nut-Lock, Hex
2	24 089 03-S	1	Spring-Return, Choke
3	M-645016-S	4	Screw-HF
4	24 126 56-S	1	Bracket-Control
5	X-20-1-S	1	Washer-Plain
6	M-541050-S	1	Nut-HF
7	24 468 01-S	3	Washer-Plain
8	24 090 07-S	1	Lever-Actuator, Throttle
9	12 237 01-S	2	Clamp-Cable
10	M-545016-S	2	Screw-HF
11	M-446030-S	1	Nut-Hex
12	M-401030-S	1	Screw
13	24 090 03-S	1	Lever-Control, Throttle
14	24 079 02-S	1	Linkage-Choke
15	24 090 05-S	1	Lever-Choke
16	41 468 03-S	1	Washer-Spring
17	M-545020-S	1	Screw-HF
18	24 089 51-S	1	Spring-Limiter, Throttle
19	24 089 46-S	1	Spring-Governor
20	24 211 03-S	1	Bolt-Head, Round
21	24 090 33-S	1	Lever-Governor
22	M-641060-S	1	Nut-HF
23	25 158 11-S	1	Bushing

Ref. No.	Part No.	Qty.	Description
24	24 089 01-S	1	Spring-Linkage
25	25 158 08-S	1	Bushing
26	24 079 01-S	1	Linkage-Throttle

Obtain parts from Kohler



### Air Intake/Filtration Assembly (Group 10) Engine: Kohler CH22S PS-66559

Ref. No.	Part No.	Qty.	Description
1	24 029 21-S	1	Adapter-Air Cleaner, Adapter
2	M-639016-S	4	Screw-HF
3	24 041 34-S	1	Gasket-Adapter
4	24 029 26-S	1	Adapter ASM
5	24 041 06-S	1	Gasket-Base, Air Cleaner
6	24 164 14-S	1	Manifold-Intake
7	M-651055-S	4	Screw-HF
8	24 041 01-S	2	Gasket-Manifold, Intake
9	24 086 06-S	2	Screw-Head, Phillips
10	24 314 25-S	1	Shield-Debris
*	25 113 27-S	1	Decal-Cleaner, Air
*	24 146 25-S	1	Decal-22 HP

Ref. No.	Part No.	Qty.	Description

Obtain parts from Kohler  
\* Not illustrated





