

50in and 54in Bagger Zero-Turn-Radius Riding Mower

Model No. 79392—Serial No. 316000001 and Up
 Model No. 79392—Serial No. 400000000 and Up
 Model No. 79416—Serial No. 400000000 and Up

Operator's Manual

Introduction

Read this information carefully to learn how to operate and maintain your product properly and to avoid injury and product damage. You are responsible for operating the product properly and safely.

Whenever you need service, genuine parts, or additional information, contact an Authorized Service Dealer or Customer Service and have the model and serial numbers of your product ready. **Figure 1** identifies the location of the model and serial numbers on the product. Write the numbers in the space provided.

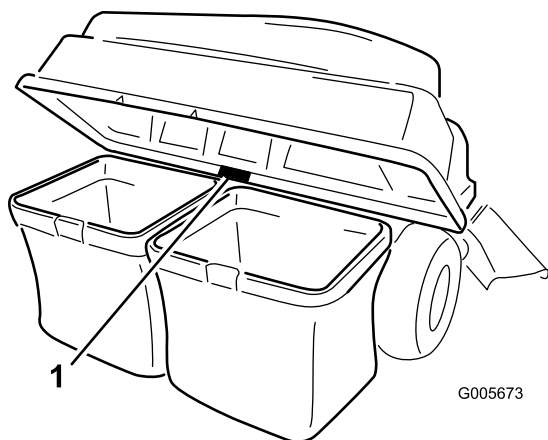


Figure 1

1. Model and serial number location

<p>Model No. _____</p> <p>Serial No. _____</p>
--

This manual identifies potential hazards and has safety messages identified by the safety-alert symbol (**Figure 2**), which signals a hazard that may cause serious injury or death if you do not follow the recommended precautions.



Figure 2
Safety-alert symbol

g000502

This manual uses 2 words to highlight information. **Important** calls attention to special mechanical information and **Note** emphasizes general information worthy of special attention.

Contents

- Introduction 1
- Safety 2
 - Towing Safety 2
 - Safety and Instructional Decals 3
- Setup 4
 - 1 Installing the Weight..... 5
 - 2 Installing the Attachment Mount 7
 - 3 Assembling the Bagger Top 9
 - 4 Installing the Latch Rod..... 10
 - 5 Installing the Bagger Top..... 10
 - 6 Installing the Cutoff Baffle 11
 - 7 Installing the Blowout Baffle 12
 - 8 Installing the Chute 12
 - 9 Connecting with the Discharge Tube 14
- Operation 14
 - Emptying the Grass Bags 14
 - Clearing Obstructions from the Bagger 15
 - Removing the Bagger 16
 - Using the Draw Bar..... 16
 - Operating Tips 17
- Maintenance 18
 - Recommended Maintenance Schedule(s) 18
 - Inspecting the Bagger Attachment 18
 - Inspecting the Mower Blades 19
 - Caring for the Grass Bags..... 19
 - Cleaning the Bagger Attachment 19
- Storage 19
 - Storing the Bagger Attachment..... 19



Safety

- Become familiar with the safe operation of the equipment, with the operator controls, and safety signs.
- Use extra care with grass catchers or other attachments. These can change the operating characteristics and the stability of the machine.
- Follow the manufacturer's recommendations for adding or removing wheel weights or counterweights to improve stability.
- Do not use a grass catcher on steep slopes. A heavy grass catcher could cause loss of control or overturn the machine.
- Slow down and use extra care on hillsides. Be sure to travel in the recommended direction on hillsides. Turf conditions can affect the stability of the machine. Use extreme caution while operating near drop-offs.
- Keep all movement on slopes slow and gradual. Do not make sudden changes in speed, direction, or turning.
- The grass catcher can obstruct the view to the rear. Use extra care when operating in reverse.
- Use care when loading or unloading the machine into a trailer or truck.
- Never operate with the discharge deflector raised, removed or altered, unless using a grass catcher.
- Keep hands and feet away from moving parts. Do not make adjustments with the engine running.
- Park the machine on level ground, disengage the drives, chock the wheels, and shut off the engine before leaving the operator's position for any reason including emptying the grass catcher or unclogging the chute.
- If you remove the grass catcher, be sure to install any discharge deflector or guard that might have been removed to install the grass catcher. Do not operate the mower without either the entire grass catcher or the grass deflector in place.
- Shut off the engine before removing the grass catcher or unclogging the chute.
- Do not leave grass in the grass catcher for extended periods of time.
- Grass catcher components are subject to wear, damage and deterioration, which could expose you to moving parts or allow objects to be thrown. Frequently check components and replace with the manufacturer's recommended parts, when necessary.

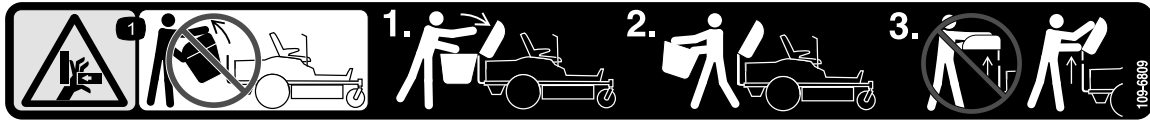
Towing Safety

- Do not attach towed equipment except at the hitch point.
- Follow the attachment manufacturer's recommendation for weight limits for towed equipment and towing on slopes.
- Never allow children or others in or on towed equipment.
- On slopes, the weight of the towed equipment may cause loss of traction and loss of control. Reduce towed weight and slow down.
- Stopping distance increases with the weight of the towed load. Travel slowly and allow extra distance to stop.
- Make wide turns to keep the attachment clear of the machine.
- Do not tow a load that weighs more than the towing machine.

Safety and Instructional Decals



Safety decals and instructions are easily visible to the operator and are located near any area of potential danger. Replace any decal that is damaged or missing.



109-6809

decal109-6809

1. Crushing hazard of hand—do not remove the whole bagger from the machine; open the bagger top and then remove the bag(s) from the bagger. Do not remove the bagger top when it is closed; open the bagger top and then remove it.



110-6691

decal110-6691

1. Thrown object hazard—keep bystanders away.
2. Thrown object hazard, mower—do not operate without the deflector, discharge cover, or grass collection system in place.
3. Cutting/dismemberment hazard of hand or foot—stay away from moving parts.

Setup

Loose Parts

Use the chart below to verify that all parts have been shipped.

Procedure	Description	Qty.	Use
1	Bolt (3/8 x 1-1/4 inches)	4	Install the weight.
	Locknut (3/8 inch)	4	
	Left weight mounting bracket	1	
	Right weight mounting bracket	1	
	Washers	4	
	Weight bracket	1	
	Bolt (3/8 x 1 inch)	2	
	Flat weight	1	
	Suitcase weight	1	
	Keyed cross bar	1	
2	Stabilizer bracket	1	Install the attachment mount.
	Carriage bolt (5/16 x 3/4 inch)	2	
	Locknut (5/16 inch)	4	
	Self-tapping screw (5/16 x 3/4 inch)	2	
	Bolt (5/16 x 1 inch)	2	
	Pivot frame	1	
	Hairpin cotter	2	
	Rod	2	
	Washer	2	
	Draw-bar decal	1	
3	Bagger top	1	Assemble the bagger top.
	Bagger screen	1	
4	Latch rod	1	Install the latch rod.
	Hairpin cotter	1	
5	Grass bag	2	Install the bagger top.
	Upper bagger tube	1	
	Pivot bracket	2	
	Bolt (5/16 x 1 inch)	4	
	Nut (5/16 inch)	4	
6	No parts required	–	Install the cutoff baffle.
7	No parts required	–	Install the blowout baffle.
8	Chute	1	Install the chute.
9	Discharge tube	1	Connect with the discharge tube.

1

Installing the Weight

Parts needed for this procedure:

4	Bolt (3/8 x 1-1/4 inches)
4	Locknut (3/8 inch)
1	Left weight mounting bracket
1	Right weight mounting bracket
4	Washers
1	Weight bracket
2	Bolt (3/8 x 1 inch)
1	Flat weight
1	Suitcase weight
1	Keyed cross bar

Procedure

Note: This procedure is only for models with control levers. Steering wheel models do not need weights installed.

⚠ CAUTION

The bagger changes the weight distribution of the machine. Operating the machine without the front weights may cause an unstable condition which could result in a loss of control.

Ensure the front weights are properly installed before operating the machine with the bagger attachment.

1. Locate the front bolts on the underside of the frame (Figure 3 and Figure 4).
2. Remove the 2 bolts (3/8 x 1 inch) and 2 locknuts (3/8 inch). Retain the locknuts.

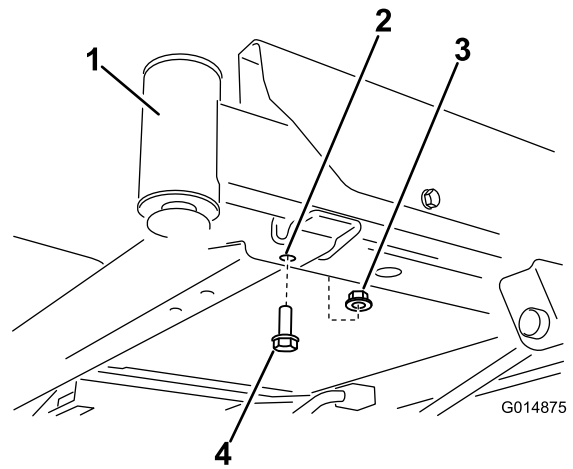


Figure 3

1. Front-right castor (castor fork and wheel not shown for clarity)
2. Front hole, right side
3. Locknut (3/8 inch)
4. Bolt (3/8 x 1 inch)

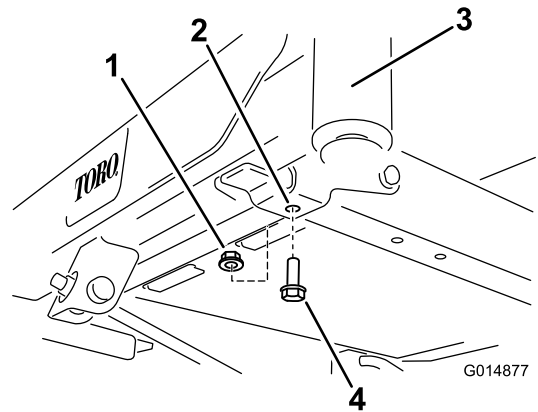


Figure 4

1. Locknut (3/8 inch)
2. Front hole, left side
3. Front left castor (castor fork and wheel not shown for clarity)
4. Bolt (3/8 x 1 inch)

3. Locate the left and right weight-mounting brackets in loose parts.
4. Install the left bracket to the under side of the frame using 2 bolts (3/8 x 1-1/4 inches), 2 washers and 2 locknuts (3/8 inch) (Figure 5).

Note: Use 1 locknut from loose parts and 1 locknut that you previously removed.

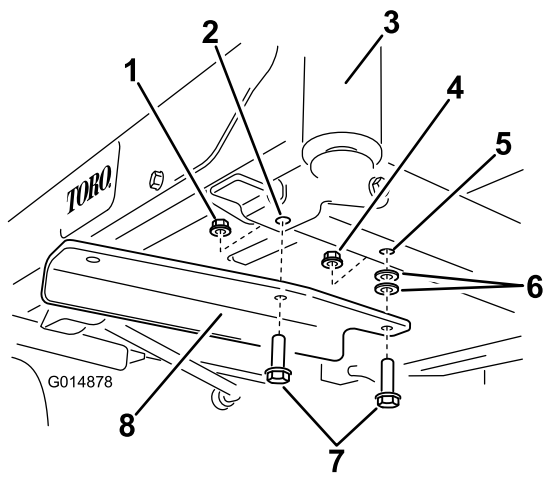


Figure 5

g014878

- | | |
|--|------------------------------|
| 1. Locknut (3/8 inch), existing | 5. Hole, existing in frame |
| 2. Forward hole, left side | 6. Washer |
| 3. Front left caster (castor fork and wheel not shown for clarity) | 7. Bolt (3/8 x 1-1/4 inches) |
| 4. Locknut (3/8 inch) from loose parts | 8. Left mounting bracket |

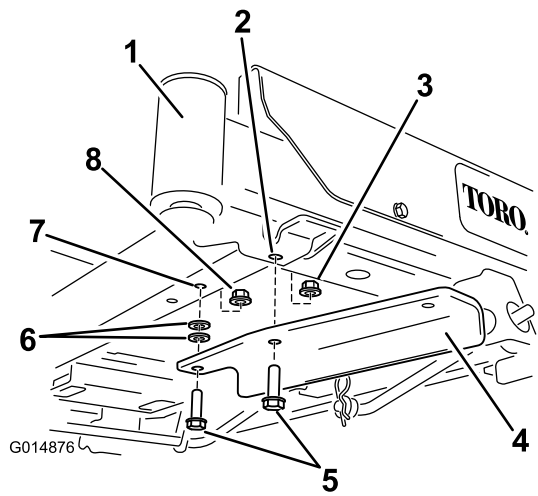


Figure 6

g014876

- | | |
|---|--|
| 1. Front right caster (castor fork and wheel not shown for clarity) | 5. Bolt (3/8 x 1-1/4 inches) |
| 2. Forward hole, right side | 6. Washer |
| 3. Existing locknut (3/8 inch) | 7. Existing hole in the frame |
| 4. Right mounting bracket | 8. Locknut (3/8 inch) from loose parts |

5. On the right side of the machine, install the right weight-mounting bracket as follows:
- For machines without a foot assist lift pedal, secure the bracket using 2 bolts (3/8 x 1-1/4 inches), 2 washers and 2 locknuts (3/8 inch) (Figure 6).

Note: A locknut is from loose parts and the other is used from earlier removal.

Note: For machines with a foot-assist lift pedal, the washers are not used.

- For machines with a foot-assist lift pedal, Remove the forward fasteners in the foot assist lift pedal bracket and secure the bracket using 2 bolts and 2 locknuts (Figure 7).

Note: Use 1 locknut from loose parts and 1 locknut that you previously removed.

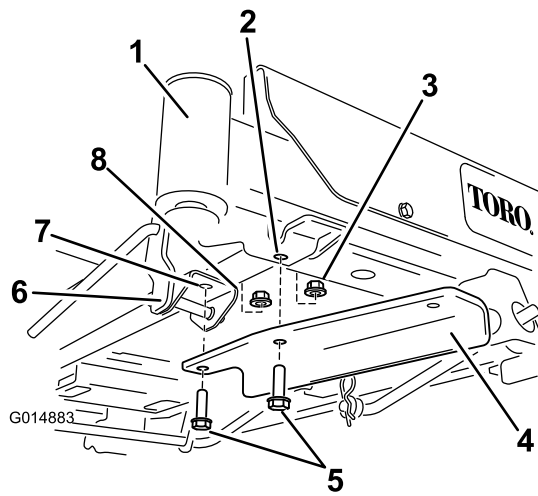


Figure 7

g014883

- | | |
|---|--|
| 1. Front right caster (castor fork and wheel not shown for clarity) | 5. Bolt (3/8 x 1-1/4 inches) |
| 2. Front hole, right side | 6. Foot-assist lift pedal bracket |
| 3. Existing locknut (3/8 inch) | 7. Existing hole in the bracket |
| 4. Right mounting bracket | 8. Locknut (3/8 inch) from loose parts |

6. Install the weight bracket to the mounting brackets by aligning the outboard holes in the bracket with the mounting brackets installed previously (Figure 8).

Note: Ensure that the bracket is centered on the frame.

7. Secure the weight bracket with 2 bolts (3/8 x 1 inch) and 2 locknuts (3/8 inch) (Figure 8).

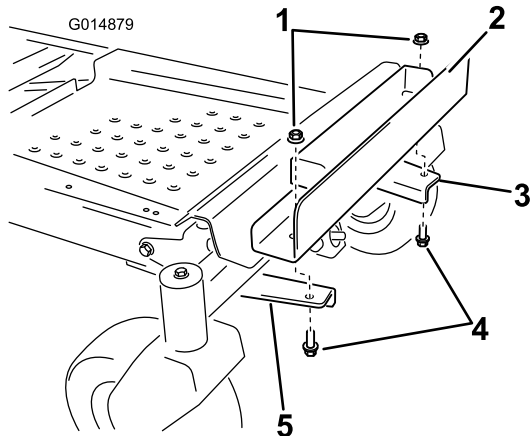


Figure 8

g014879

- | | |
|--------------------------|---------------------------|
| 1. Locknut (3/8 inch) | 4. Bolt (3/8 x 1 inch) |
| 2. Weight bracket | 5. Right mounting bracket |
| 3. Left mounting bracket | |

8. Install a flat weight to the weight bracket and move it rearward, flush with the bracket (Figure 9).

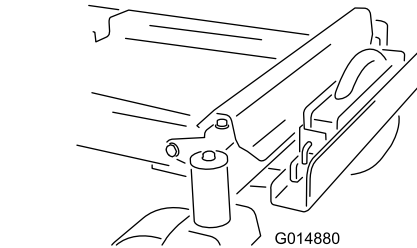
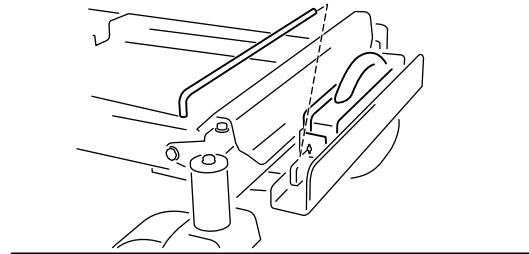
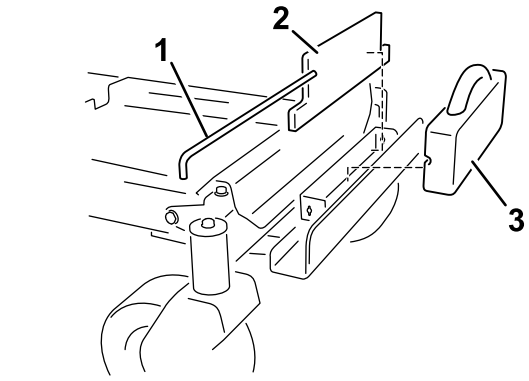


Figure 9

g014880

- | | |
|--------------------|--------------------|
| 1. Keyed cross bar | 3. Suitcase weight |
| 2. Flat weight | |

9. Install a suitcase weight in front of the flat weight (Figure 9).
10. Secure the weights to the weight bracket with a keyed-cross bar (Figure 9). Install the bar and rotate it 90 degrees downward to lock it in place.
11. Once all the weights and brackets have been installed, check that all the fasteners are tight. Tighten as necessary.

Important: Whenever you remove the bagger attachment, remember to remove the front weights to return the proper stability to the machine.

2

Installing the Attachment Mount

Parts needed for this procedure:

1	Stabilizer bracket
2	Carriage bolt (5/16 x 3/4 inch)
4	Locknut (5/16 inch)
2	Self-tapping screw (5/16 x 3/4 inch)
2	Bolt (5/16 x 1 inch)
1	Pivot frame
2	Hairpin cotter
2	Rod
2	Washer
1	Draw-bar decal

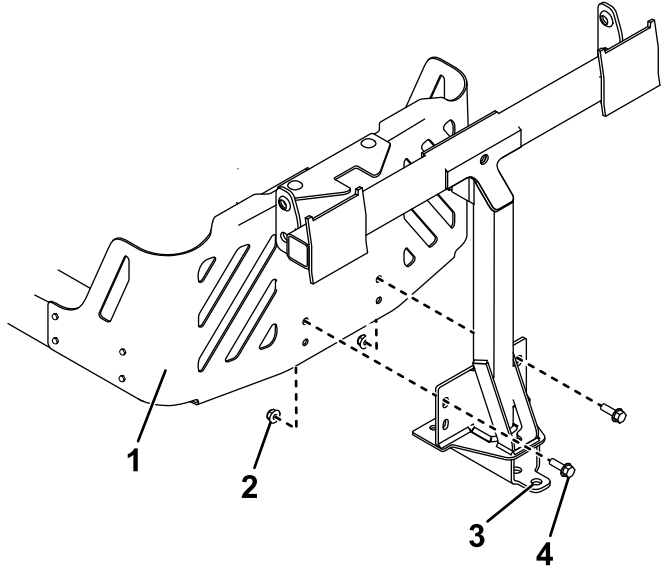


Figure 11

- 1. Machine frame
- 2. Locknut (5/16 inch)
- 3. Bolt (5/16 x 1 inch)
- 4. Pivot frame

3. Secure the pivot frame to the bottom of the machine frame using 2 self-tapping screws (5/16 x 3/4 inch) as shown in [Figure 12](#).

Procedure

1. Install the stabilizer bracket to the engine guard using 2 carriage bolts (5/16 x 3/4 inch) and 2 locknuts (5/16 inch) ([Figure 10](#)).

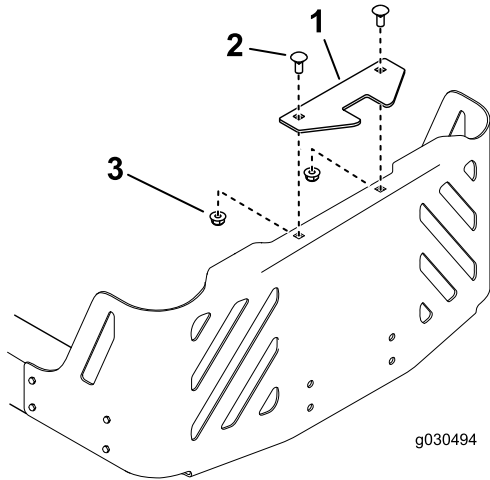


Figure 10

- 1. Stabilizer bracket
- 2. Carriage bolt (5/16 x 3/4 inch)
- 3. Locknut (5/16 inch)

2. Install the pivot frame to the machine frame as shown in [Figure 11](#). Secure the pivot frame to the machine frame using 2 bolts (5/16 x 1 inch) and 2 locknuts (5/16 inch).

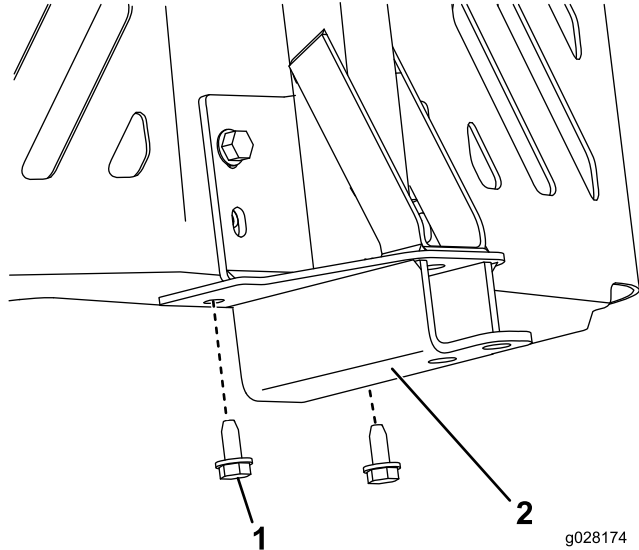


Figure 12

- 1. Self-tapping screws (5/16 x 3/4 inch)
- 2. Pivot frame

4. Install the bent, flared end of a rod into the keyed slot in the left side of the machine frame, and move the rod rearward to seat it in the frame ([Figure 13](#)).

Note: Repeat this step for the right side of the machine.

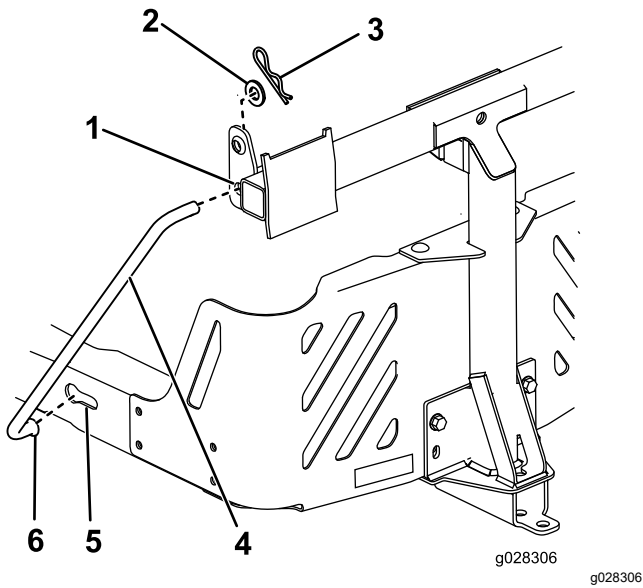


Figure 13
Left side shown

- | | |
|---------------------|--------------------------------|
| 1. Attachment mount | 4. Rod |
| 2. Washer | 5. Machine frame |
| 3. Hairpin cotter | 6. Bent, flared end of the rod |

5. Insert the bent ends of the rods into the attachment mount as shown in [Figure 13](#) and secure the end of each rod with a washer and hairpin cotter.

3

Assembling the Bagger Top

Parts needed for this procedure:

1	Bagger top
1	Bagger screen

Procedure

1. Turn the bagger top over.
2. Install the screen as shown in [Figure 14](#) and that it slopes down toward the collection bags.

Note: Ensure that the screens snap into place and the tabs engage the bagger top.

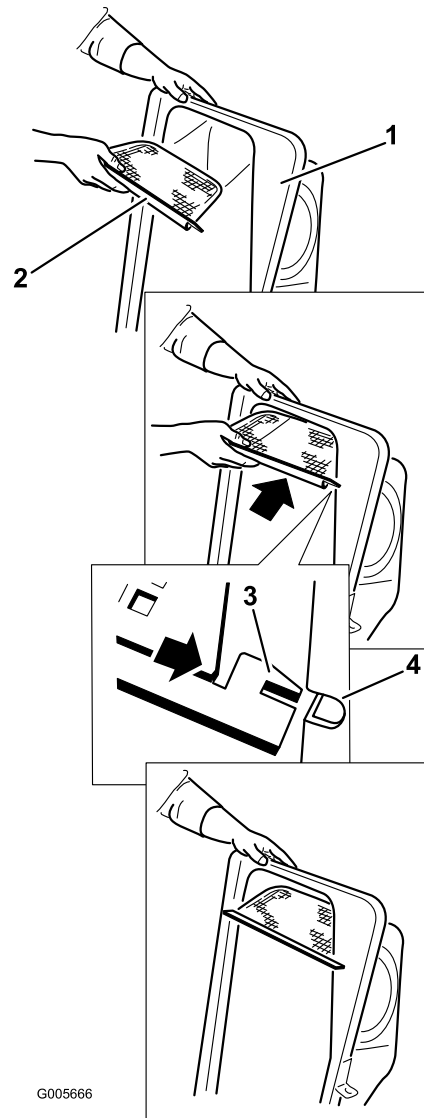


Figure 14

- | | |
|---------------|-----------------------|
| 1. Bagger top | 3. Screen tab |
| 2. Screen | 4. Slot in bagger top |

4

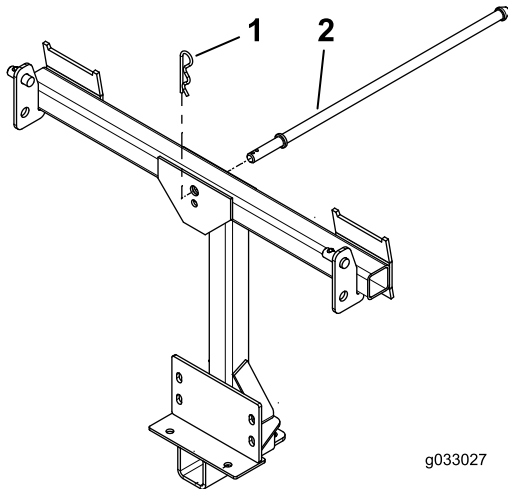
Installing the Latch Rod

Parts needed for this procedure:

1	Latch rod
1	Hairpin cotter

Procedure

Install the latch rod with a hairpin cotter (Figure 15).



g033027

g033027

Figure 15

1. Hairpin cotter 2. Latch rod

5

Installing the Bagger Top

Parts needed for this procedure:

2	Grass bag
1	Upper bagger tube
2	Pivot bracket
4	Bolt (5/16 x 1 inch)
4	Nut (5/16 inch)

Procedure

1. Install the bagger top to the bagger frame.
2. Install the pivot brackets onto the pivot frame (Figure 16).
3. Secure the bagger top to the pivot brackets with 4 bolts (5/16 x 1 inch) and 4 nuts (5/16 inch).

Note: The bagger top is easier to install if 2 people work together.



g300208

Figure 16

1. Bagger posts 3. Nuts (5/16 inch)
2. Bolts (5/16 x 1 inch)

4. Lift the bagger top and install the bags by sliding the bag frame hooks onto the retaining brackets (Figure 17).

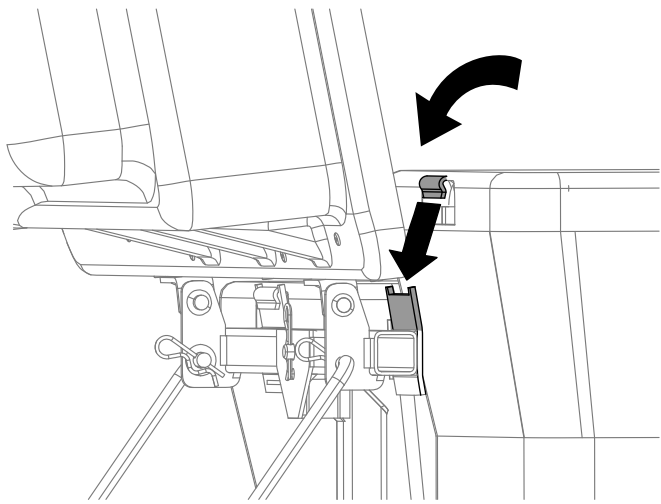


Figure 17

g300378

Important: The cutoff baffle was shipped with the machine as a loose part.

1. Install the cutoff baffle to the mower deck with 2 bolts (5/16 x 3/4 inch) and 2 lock nuts (5/16 inch) (Figure 19).
2. Torque the fasteners to 7-9 N·m (14-18 ft-lb).

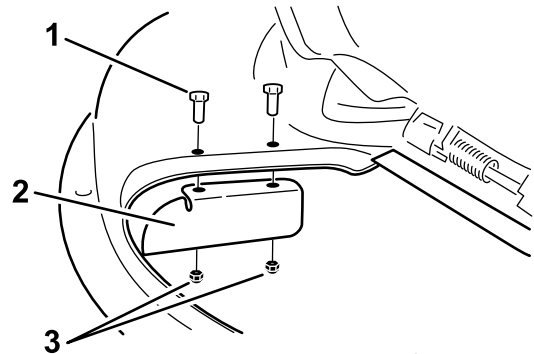


Figure 19

G015321

g015321

1. Bolt (5/16 x 3/4 inch)
2. Cutoff baffle
3. Locknut (5/16 inch)

5. Lower the bagger top onto the bags (Figure 18).

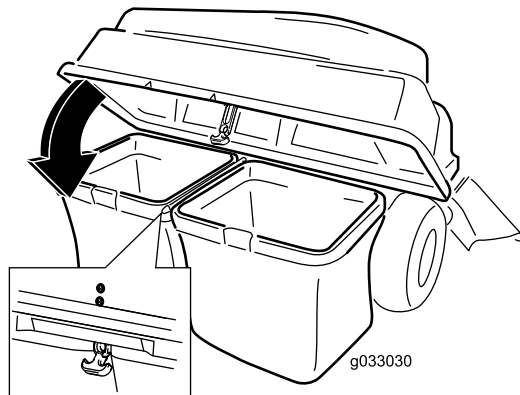


Figure 18

g033030

6. Install the upper bagger tube by inserting the curved end into the opening in the bagger top.

Note: Ensure that the flared end with the retention post is pointing down and forward in preparation to be mated with the Finishing Kit.

6

Installing the Cutoff Baffle

No Parts Required

Procedure

Note: Certain models have the cutoff baffle installed (Figure 19). Proceed to the next procedure if a cutoff baffle is installed.

7

Installing the Blowout Baffle

No Parts Required

Procedure

Note: This procedure is only for machines with 54-inch mower decks.

Secure the blowout baffle to the mower deck using 2 carriage bolts and 2 locknuts (Figure 20).

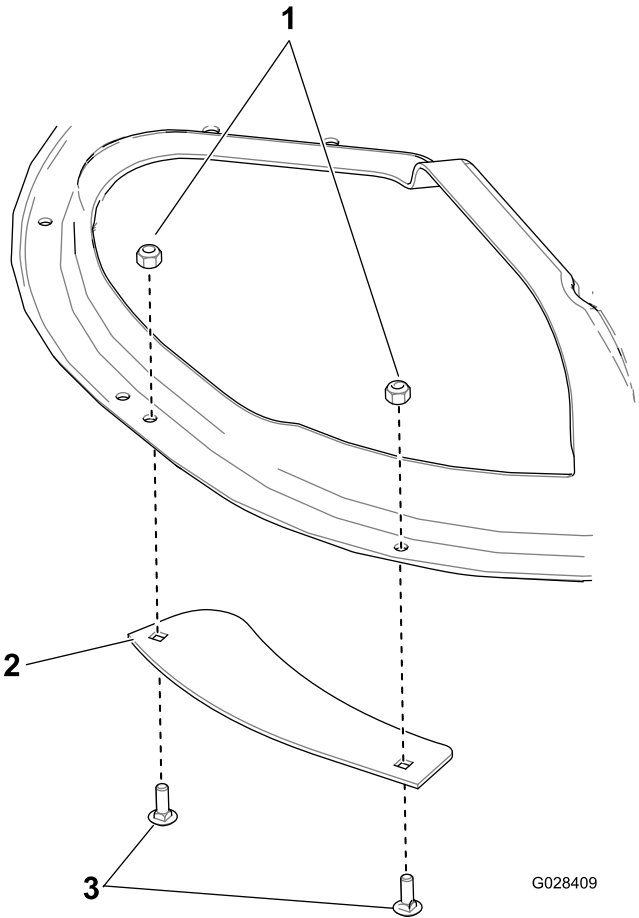


Figure 20

- 1. Locknuts
- 2. Blowout baffle
- 3. Bolts

8

Installing the Chute

Parts needed for this procedure:

1	Chute
---	-------

Procedure

1. Angle the metal tab at the front of the chute into the slot in the bracket welded to the mower deck (Figure 21).

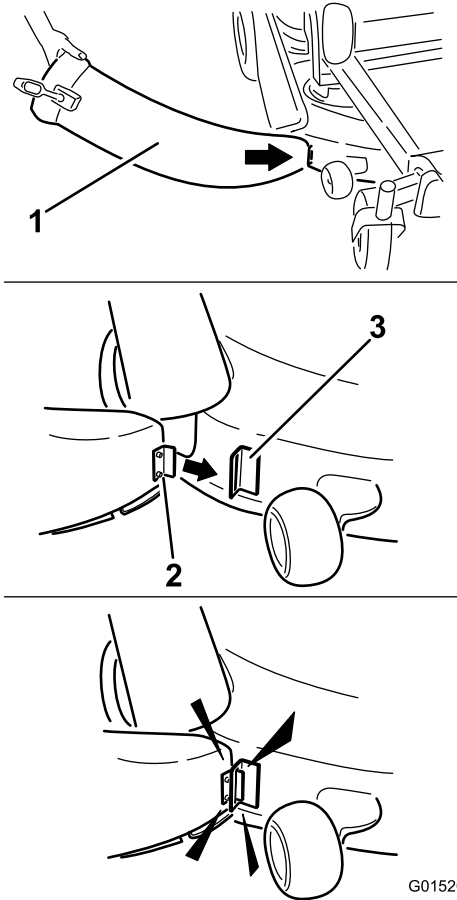


Figure 21

- 1. Chute
 - 2. Metal tab
 - 3. Bracket
2. Pivot the chute back and toward the deck so that the chute is flush with the mower deck (Figure 22).

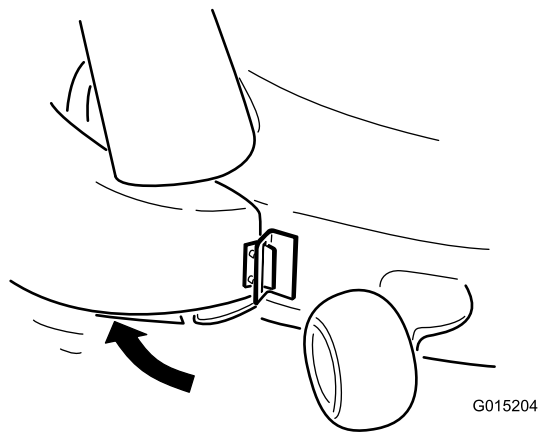


Figure 22

g015204

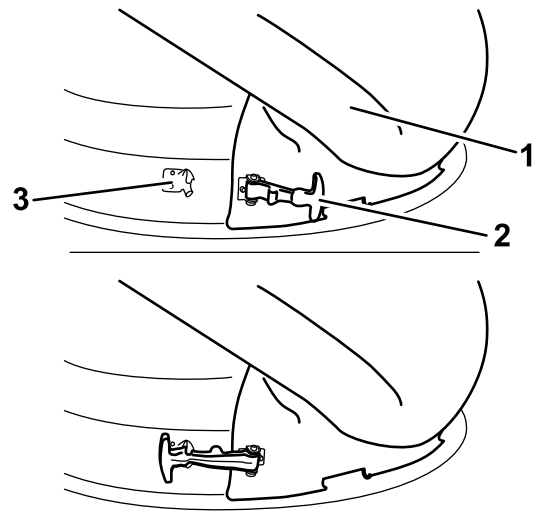


Figure 24

G005756

g005756

Note: As the chute mates with the deck, ensure that the edge of the chute is under the lip of the clip assembly installed previously.

3. On the top of the chute, engage the hook shaped latch around pivot rod of the deflector assembly as shown in (Figure 23).

1. Chute
2. Flexible latch
3. Retaining clasp

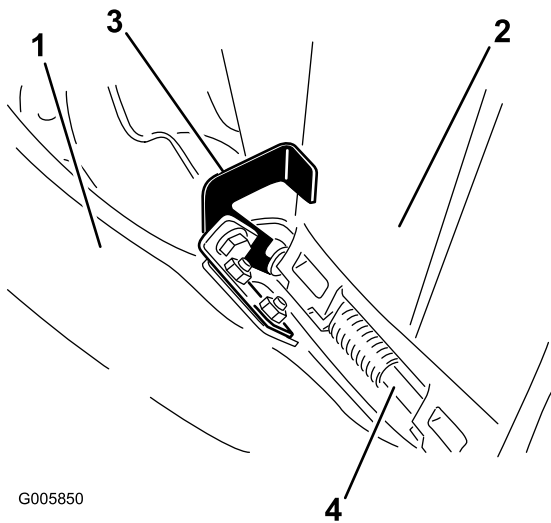


Figure 23

g005850

1. Chute
2. Deflector
3. Latch, hook
4. Pivot rod

4. Secure the chute to the 50 inch deck by hooking the flexible latch on the chute to the retaining clasp welded on the mower deck (Figure 24).

9

Connecting with the Discharge Tube

Parts needed for this procedure:

1	Discharge tube
---	----------------

Procedure

1. Slide the curved end of the discharge tube into the opening in the bagger top (Figure 25).

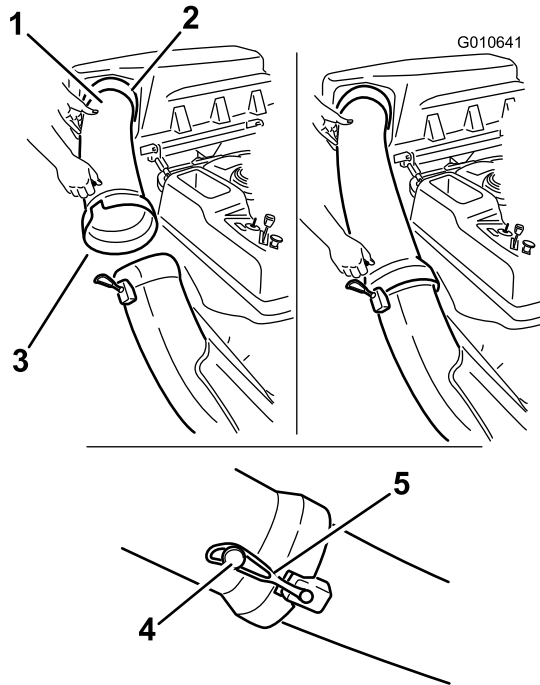


Figure 25

1. Discharge tube
2. Opening in bagger top
3. Discharge tube, flared end
4. Peg
5. Rubber strap

2. Slide the flared end of the discharge tube over the end of the chute. Move the rubber retaining strap on the chute snaps over the peg on the discharge tube to secure it (Figure 25).

Operation

Note: Determine the left and right sides of the machine from the normal operating position.

⚠ WARNING

To avoid personal injury, follow these procedures:

- Become familiar with all operating and safety instructions in the *Operator's Manual* for the machine before using this attachment.
- Never remove the discharge tube, bags, bagger top, or the chute while the engine is running.
- Always shut the engine off and wait for all moving parts to stop before clearing an obstruction from the bagging system.
- Never do maintenance or repairs while the engine is running.

Emptying the Grass Bags

⚠ DANGER

Debris, such as leaves, grass, or brush can catch fire. A fire in the engine area can cause personal injury and property damage.

- Keep the engine and muffler area free of debris.
- Take care when opening the bagger cover to keep debris from falling onto the engine and muffler area.
- Allow the machine to cool before storing it.

Be careful when lifting or handling a full grass bag.

1. Park the machine on a level surface and disengage the blade control switch.
2. Move the motion control levers outward to the NEUTRAL LOCK position, shut off the engine, remove the key, engage the parking brake, and wait for all moving parts to stop before leaving the operating position.
3. Open (raise) the bagger top (Figure 26).

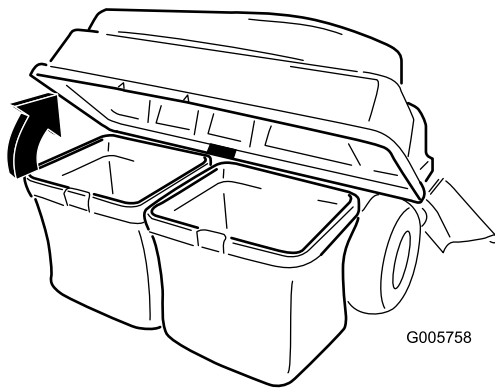


Figure 26

g005758

4. Compress debris into the bags. With both hands, lift up on the bag and unhook it from the retaining bracket. Empty the bag. Repeat the procedure for the other bag.

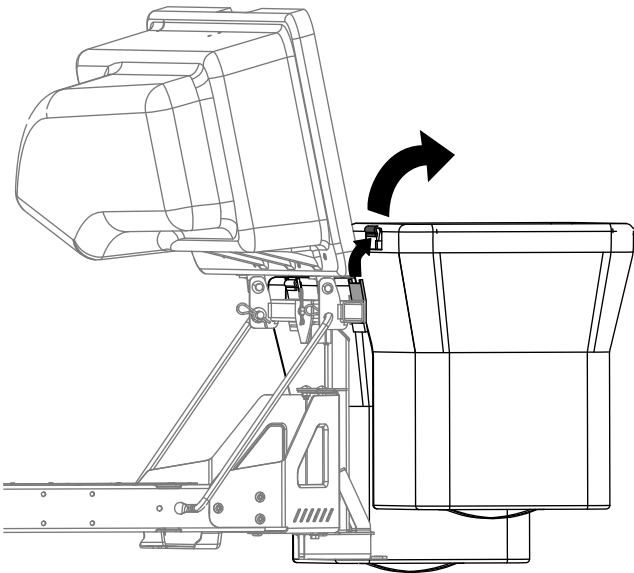


Figure 27

g300218

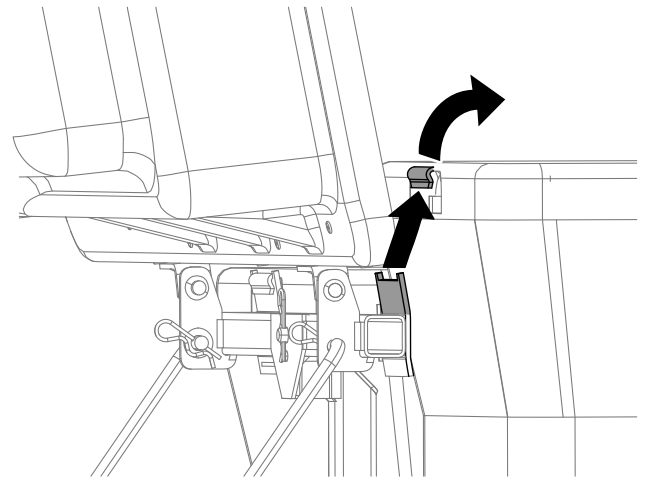


Figure 28

g300217

5. Install the bags by sliding the bag frame hooks onto the retaining brackets.
6. Lower the bagger top onto the bags.

Clearing Obstructions from the Bagger

1. Park the machine on a level surface and disengage the blade control switch.
2. Move the motion control levers outward to the neutral lock position, shut off the engine, remove the key, engage the parking brake and wait for all moving parts to stop before leaving the operating position.
3. Check the grass bags and empty them if they are full.
4. Separate the discharge tube and chute.
5. Remove the discharge tube and chute from the bagger top and mower deck. Using a stick or similar object, carefully remove and clear the obstruction from the mower deck, discharge tube, chute, and the bagger top.
6. After you remove the obstruction, install the complete bagger system and resume operation.

Removing the Bagger

⚠ CAUTION

Failing to remove the front bagger weights and operating the machine without the bagger attachment may cause an unstable condition which could result in a loss of control.

- Always remove the front weights when removing the bagger attachment.
- Never operate the machine without the bagger attachment and the front weights still installed.

You can remove the bagger by repeating the Setup sections from all installed bagger related kits in reverse order. If weights are installed, always remove the front bagger weights when removing the bagger attachments.

Note: You need to remove the cutoff baffle only when installing a mulching kit.

Using the Draw Bar

The bagger support bracket has a draw bar feature that can be used for towing.

- Read and understand all the operating instructions of the machine.
- When turning, slow down and observe the clearance.
- Make wide turns and keep towed equipment clear of the towing vehicle.
- Excessive draw bar pull may cause hydrostatic transmission failure.

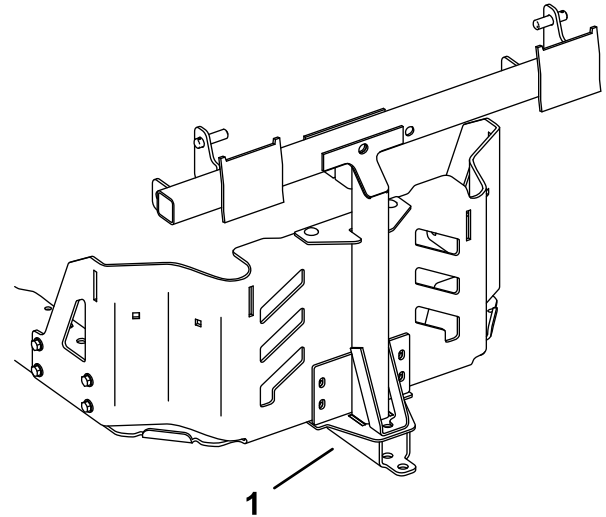


Figure 29

g242935

1. Bagger support bracket with draw bar

Operating Tips

Tips for Bagging

Remembering the Size

The machine is longer and wider with this attachment installed. By turning too sharply in confined places you may damage the attachment.

Trimming

Always trim with the left side of the machine. Do not trim with the right side of the machine because you could damage the bagger chute and discharge tube.

Cutting Height

Do not set the mower cutting height too low because long grass surrounding the mower can prevent air from getting under the mower and entering the bagging system. If enough air does not get under the mower, the bagging system will plug.

Cutting Frequency

Cut the grass often, especially when it grows rapidly. You will have to cut your grass twice if it gets excessively long.

Cutting Technique

For best lawn appearance, be sure to slightly overlap the mower into the previously cut area. This helps reduce the load on the engine and reduces the chance of plugging the chute and discharge tube.

Bagging Speed

Most often you will bag with the throttle in the FAST position and drive at a normal ground speed. However, in extremely dry and dusty grass, you may want to slightly reduce the throttle speed and increase the ground speed of the machine. The bagging system may plug if you drive too fast and the engine speed gets too slow. On hills, it may be necessary to slow the ground speed. This helps maintain the engine speed and bagging efficiency. Mow downhill whenever possible.

⚠ CAUTION

As the bagger fills, extra weight is added to the back of the machine. If you stop and start suddenly on hills, you may lose steering control or the machine may tip.

- **Do not start or stop suddenly when going uphill or downhill. Avoid uphill starts.**
- **If you do stop the machine when going uphill, disengage the blade control. Then back down the hill using a slow speed.**
- **Avoid sudden turns or rapid speed changes on slopes.**
- **Never operate the machine without the bagger attachment and the front weights still installed.**

Bagging Long Grass

Excessively long grass is heavy and may not be propelled completely into the grass bags. If this happens, the discharge tube and chute may plug. To avoid plugging the bagging system, mow the grass at a high height of cut, then lower the mower to your normal cutting height and repeat the bagging process.

Bagging Wet Grass

Always try to cut grass when it is dry for best appearance. If you must cut wet grass, use the conventional side discharge feature of the mower. Several hours later, when the clippings are dry, install the complete bagger attachment and vacuum up the grass clippings.

Signs of Plugging

As you are bagging, a small amount of grass clippings normally blow out the front of the mower deck. An excessive amount of clippings blowing out indicates that the bags are full or the system is plugged.

Maintenance

Note: Determine the left and right sides of the machine from the normal operating position.

Recommended Maintenance Schedule(s)

Maintenance Service Interval	Maintenance Procedure
After the first 10 hours	<ul style="list-style-type: none">• Inspect the bagger.
Before each use or daily	<ul style="list-style-type: none">• Clean the bagger.
Before storage	<ul style="list-style-type: none">• Inspect the bagger.• Clean the bagger.

⚠ CAUTION

If you leave the key in the ignition switch, someone could accidentally start the engine and seriously injure you or other bystanders.

Remove the key from the ignition and disconnect the wire from the spark plug before you do any maintenance. Set the wire aside so that it does not accidentally contact the spark plug.

⚠ DANGER

Engines can become hot when they are operating. Severe burns can occur from contacting hot surfaces.

Allow the engines, especially the muffler, to cool before touching.

⚠ DANGER

Debris, such as leaves, grass, or brush can catch fire. A fire in the engine area can cause personal injury and property damage.

- Keep the engine and muffler area free of debris accumulation.
- Take care when opening the bagger cover to keep debris from falling onto the engine and muffler area.
- Allow the machine to cool before storing it.

Inspecting the Bagger Attachment

Service Interval: After the first 10 hours

Before storage

1. Check the chute, discharge tube, and the bagger top. Replace these parts if they are cracked or broken.
2. Tighten all nuts, bolts, and screws.
3. Inspect all fasteners and latches; replace any missing or damaged.
4. Inspect the grass bags for deterioration.

⚠ WARNING

You or bystanders could be severely injured by flying debris or thrown objects that may pass through torn, worn, or deteriorated grass bags.

- Check the grass bags for holes, rips, wear, and other deterioration.
- Do not wash the grass bags.
- If the bag has deteriorated, install new grass bags supplied by the manufacturer of this bagger attachment.

Inspecting the Mower Blades

Inspect the mower blades regularly and whenever a blade strikes a foreign object.

If the blades are badly worn or damaged, install new blades. Refer to your *Operator's Manual* for complete blade maintenance.

Caring for the Grass Bags

Do not wash the grass bags.

To prevent rapid deterioration of the bag material, store the bags where they will dry completely after each use.

Cleaning the Bagger Attachment

Service Interval: Before each use or daily

Before storage

1. After each use, remove and wash the inside and outside of the bagger top, discharge tube, chute, and the underside of the mower, using water sprayed from a garden hose. Use a mild detergent to remove stubborn dirt.
2. Ensure that you remove matted grass from all parts.
3. Flush the grass bags with water using garden hose to remove any debris.
4. After washing, let all the parts dry thoroughly.

Storage

Storing the Bagger Attachment

1. Clean the bagger attachment; refer to [Cleaning the Bagger Attachment \(page 19\)](#).
2. Inspect the bagger attachment for damage; refer to [Inspecting the Bagger Attachment \(page 18\)](#).
3. Ensure that the grass bags are empty and thoroughly dry.
4. Store the bagger in a clean, dry place, out of direct sunlight. This protects the plastic parts and extends the life of the bagger. If you must store the bagger outside, cover it with a weatherproof cover.

