



# Guardian<sup>®</sup> 72 Recycler<sup>®</sup> Mower Groundsmaster<sup>®</sup> 300 Series

Model No. 30716—210000001 and Up

Model No. 30716TE—210000001 and Up

## Parts Catalog

### Ordering Replacement Parts

To order replacement parts, please supply: the part number, the quantity, and the description of each part desired.

### Understanding Reference Numbers

Each identified part in an illustration has a reference number. The reference number for a part also appears in the parts list, along with other information about the part.

This catalog uses two special reference number formats, one to indicate parts in a service assembly and another to indicate the quantity of a given part in an illustration.

### Service Assembly Reference Numbers

Parts in service assemblies have reference numbers in the form **a:b**. The **a** represents the reference number of the entire service assembly and the **b** represents a sequential number unique to each part within the service assembly.

For example, a wheel assembly might be identified by reference number **6**, the tire by **6:1**, the valve by **6:2**, and the wheel by **6:3**. When you order the assembly identified by reference number **6**, you receive all parts identified by reference numbers **6:1**, **6:2**, and **6:3**. However, you may also order any part individually.

Reference numbers of this type appear in illustrations and in part lists.

### Reference Numbers Indicating Quantity

In an illustration, if a reference number indicates more than one part, the reference number has the form **nX y**. The **n** represents the quantity of the part, the **X** is the multiplication symbol, and the **y** represents the reference number.

For example, in an illustration, the reference number **2X 37** means that two of the parts identified by reference number **37** are indicated.

## Contents

<b>Description</b>	<b>Page</b>	<b>Description</b>	<b>Page</b>
Rollers, Skids, Idlers and Baffles Assembly . . .	3	Gearbox and Drive Assembly . . . . .	9
Deck Assembly No. 93-9340 . . . . .	4	Driveshaft Assembly No. 93-9962 . . . . .	10
Lift Arm and Caster Wheel Assembly . . . . .	5	Driveshaft Assembly No. 93-9994 . . . . .	11
Chamber Assembly . . . . .	6	Gear Box Assembly No. 104-3441 . . . . .	12
Spindle Assembly . . . . .	7	Covers Assembly . . . . .	13
Spindle and Blade Assembly . . . . .	8	Optional Foam Filled Caster Wheel Assembly .	14

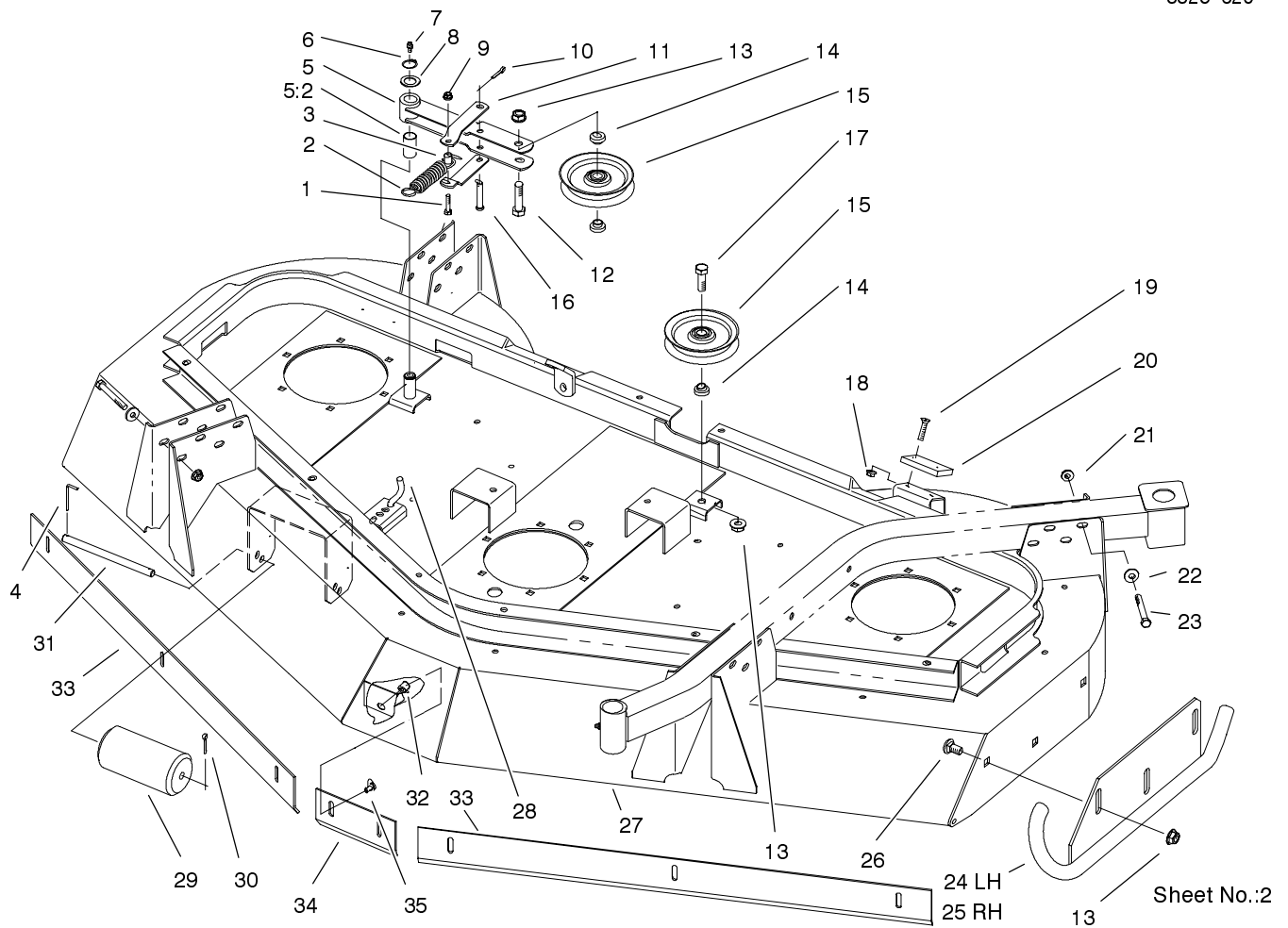
## Accessories

<b>Description</b>	<b>Model / Part No.</b>	<b>Description</b>	<b>Model / Part No.</b>
Spindle Assembly Kit . . . . .	95-3091	Blade and Belt Kit . . . . .	95-3088
Caster Wheel Kit-10" . . . . .	12-1509		

## Part Description Abbreviations

Part descriptions in this catalog may include the following abbreviations.

<b>Abbreviation</b>	<b>Meaning</b>	<b>Abbreviation</b>	<b>Meaning</b>
AR . . . . .	as required	HYD . . . . .	hydraulic
ASM . . . . .	assembly	INC . . . . .	incorporated
CARR . . . . .	carriage	LH . . . . .	left hand
DEG . . . . .	degrees	NI . . . . .	nylon insert
FH . . . . .	flat head	PPH . . . . .	Phillips pan head
GA . . . . .	gauge	PTH . . . . .	Phillips truss head
HF . . . . .	hex flange	PTO . . . . .	power take off
HH . . . . .	hex head	RH . . . . .	right hand
HHF . . . . .	hex head flange	SFH . . . . .	slotted fillister head
HLH . . . . .	hex lag head	SHH . . . . .	slotted hex head
HJ . . . . .	hex jam	SQH . . . . .	square head
HOC . . . . .	height-of-cut	SHWH . . . . .	slotted hex washer head
HS . . . . .	hex socket	SPH . . . . .	slotted pan head
HSBH . . . . .	hex socket button head	SRH . . . . .	slotted round head
HSFH . . . . .	hex socket flat head	STD . . . . .	standard
HSH . . . . .	hex socket head	TAP . . . . .	self tapping
HWH . . . . .	hex washer head	TTH . . . . .	Torx truss head
HWHTF . . . . .	hex washer head thread forming	WH . . . . .	wing head

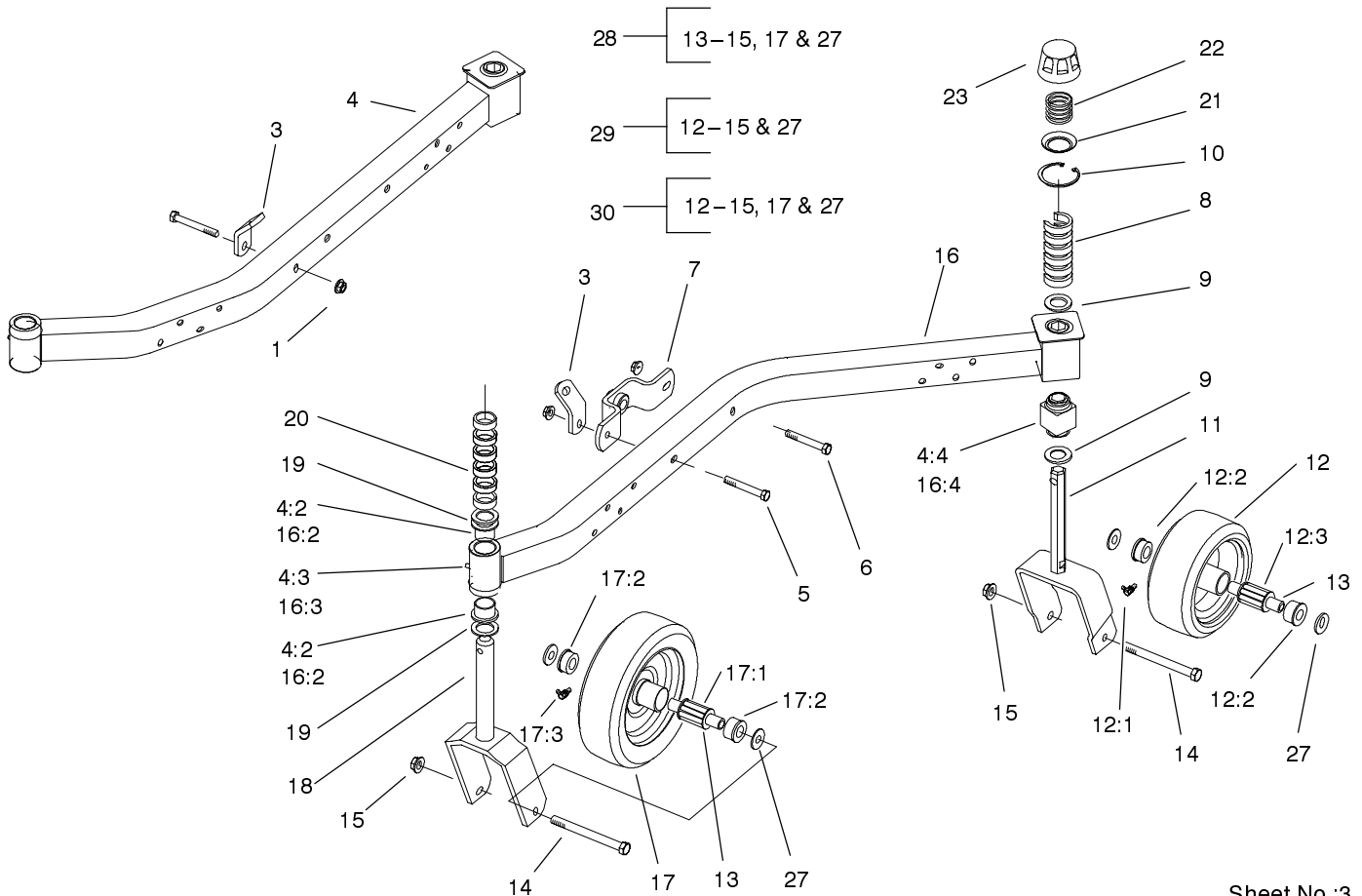


## Rollers, Skids, Idlers and Baffles Assembly

Ref. No.	Part No.	Qty.	Description
1	321-8	1	Screw-HH
2	85-6390-03	1	Spring-Extension
3	85-5930	1	Tube-Bracket, Spring
4	57-0690	3	Pin-Special
5	85-5900	1	Arm-Idler
5:2	256-188	1	Bushing
6	32120-72	1	Ring-Snap
7	302-2	1	Fitting-Grease
8	3-6498	1	Washer-Thrust
9	32128-32	1	Nut-HHF
10	3290-467	1	Pin-Hair
11	85-5920-01	2	Bracket-Spring
12	325-8	1	Screw-HH
13	32128-49	8	Nut-HHF
14	69-6960	3	Spacer-Idler
15	63-1540-03	2	Pulley-Idler
16	283-82	1	Pin-Clevis
17	325-6	1	Screw-HH
18	32128-25	2	Nut-Flange
19	32108-103	2	Screw-FH
20	69-9290	1	Pad-Bumper
21	32128-19	16	Nut-HF
22	5-0838	16	Washer
23	323-14	16	Screw-HH
24	85-5980-01	1	Skid-LH
25	85-5950-01	1	Skid-RH

Ref. No.	Part No.	Qty.	Description
26	3233-9	6	Screw-CARR
27	93-9340	1	Deck ASM
28	85-5940	1	Rod-Spring
29	36-1740	3	Roller-Deck
30	3272-11	3	Pin-Cotter
31	40-6400	3	Shaft-Roller
32	32148-7	8	Nut-Insert
33	93-4390-01	2	Baffle - Side (only on: 30716te)
34	93-4391-01	1	Baffle - Center (only on: 30716te)
35	3234-5	8	Screw-HHF (only on: 30716te)





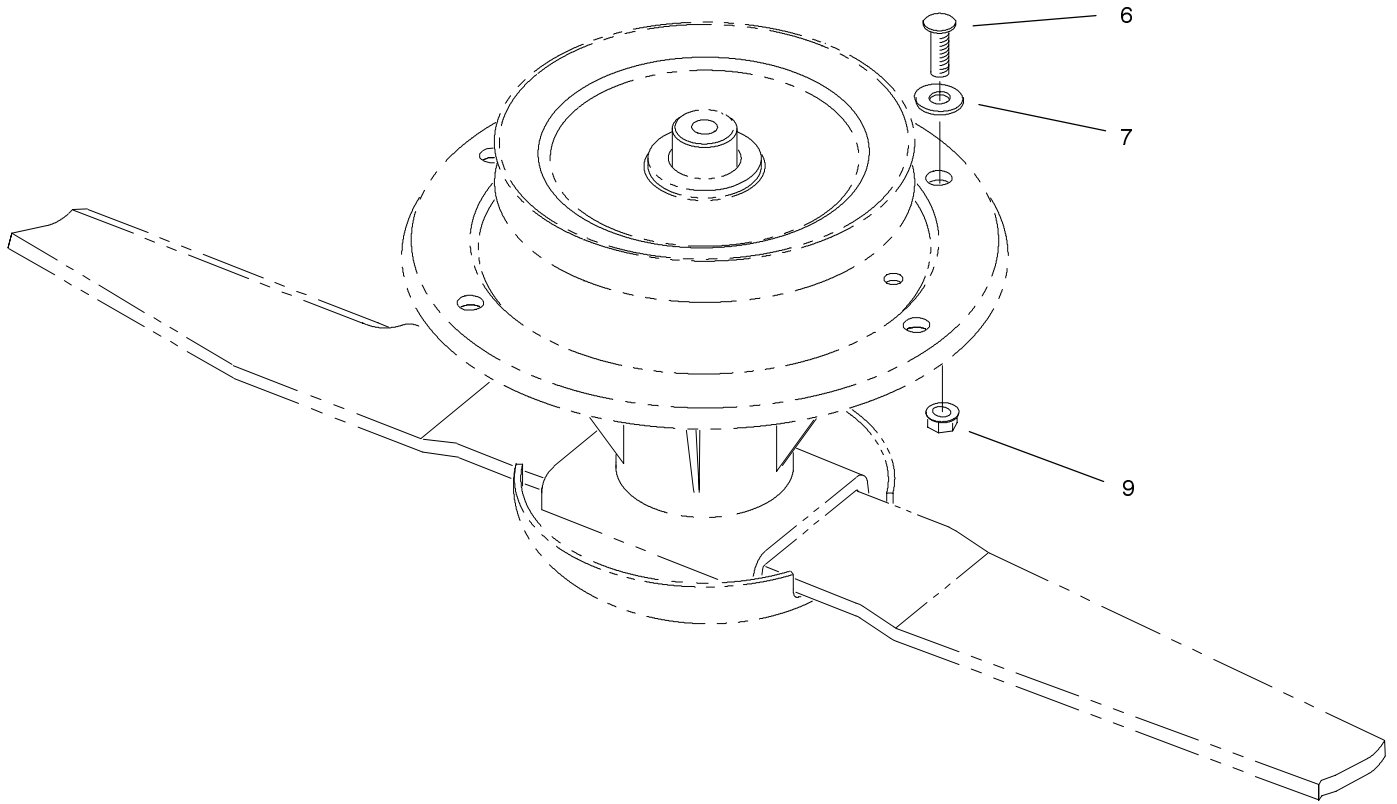
Sheet No.:3  
T-3704

## Lift Arm and Caster Wheel Assembly

Ref. No.	Part No.	Qty.	Description
1	32128-42	3	Nut-HF
3	85-5830-01	2	Bracket-Chain
4	94-5430	1	RH Castor Arm ASM
4:2	94-1291	2	Bushing-Special
4:3	302-5	1	Fitting-Grease
4:4	93-8471	1	Bushing-Rubber, Square
5	324-13	1	Screw-HH
6	324-12	2	Screw-HH
7	85-5810-01	1	Mount-Ball Joint
8	92-8866	12	Spacer
9	92-1765	4	Washer - Thrust
10	92-5581	4	Ring-Retaining
11	94-5383-01	2	Fork-Caster, Rear
12	85-5760	2	Wheel
12:1	302-40	1	Fitting-Grease
12:2	62-5580	2	Bearing-Outside
12:3	83-4740	1	Bearing
13	62-4340	4	Spanner
14	325-22	4	Screw-HH
15	32128-23	4	Nut-HF
16	94-5429	1	LH Castor Arm ASM
16:2	94-1291	2	Bushing-Special
16:3	302-5	1	Fitting-Grease
16:4	93-8471	1	Bushing-Rubber, Square

Ref. No.	Part No.	Qty.	Description
17	92-1655	2	Wheel-Castor
17:1	83-4740	1	Bearing
17:2	62-5580	2	Bearing-Outside
17:3	302-40	1	Fitting-Grease
18	94-5381-01	2	Fork-Caster, Front
19	3-6781	4	Washer-Thrust
20	63-0070	12	Spacer
21	92-5583	4	Washer-Cap
22	92-5584	4	Spring-Compression
23	92-8861	4	Cap-HOC
27	3256-6	8	Washer-Flat
28	95-3082	1	Kit-Caster Wheel, 10"
29	95-3083	1	Kit-Caster Wheel, 8"
30	95-3085	1	Kit-Caster Wheel Set





Sheet No.:5  
T-3706

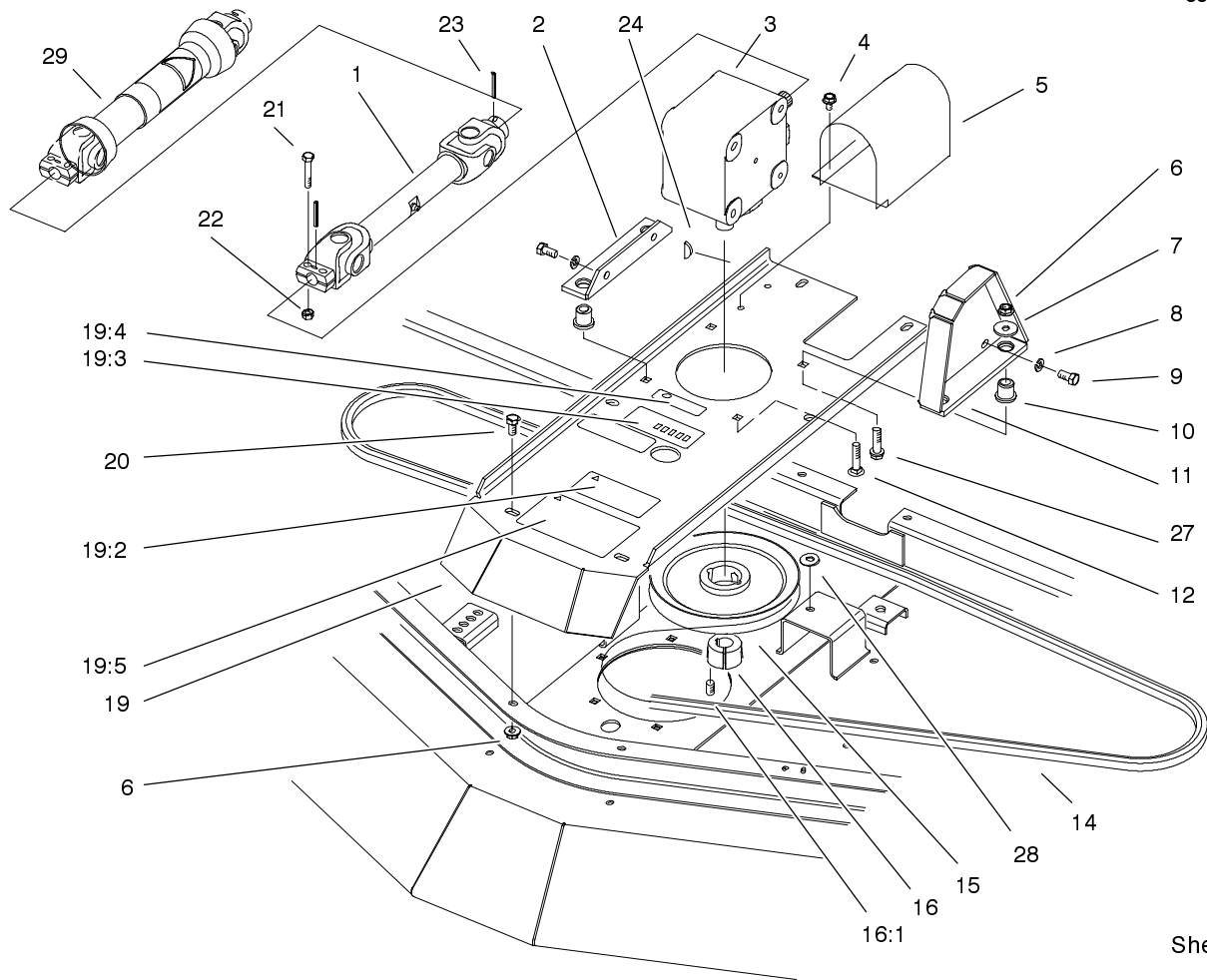
## Spindle Assembly

Ref. No.	Part No.	Qty.	Description
☆1		3	Spindle ASM
6	3231-27	18	Screw-CARR
7	3256-24	6	Washer-Flat
9	32128-21	18	Nut-HF

Ref. No.	Part No.	Qty.	Description

☆ Not serviced



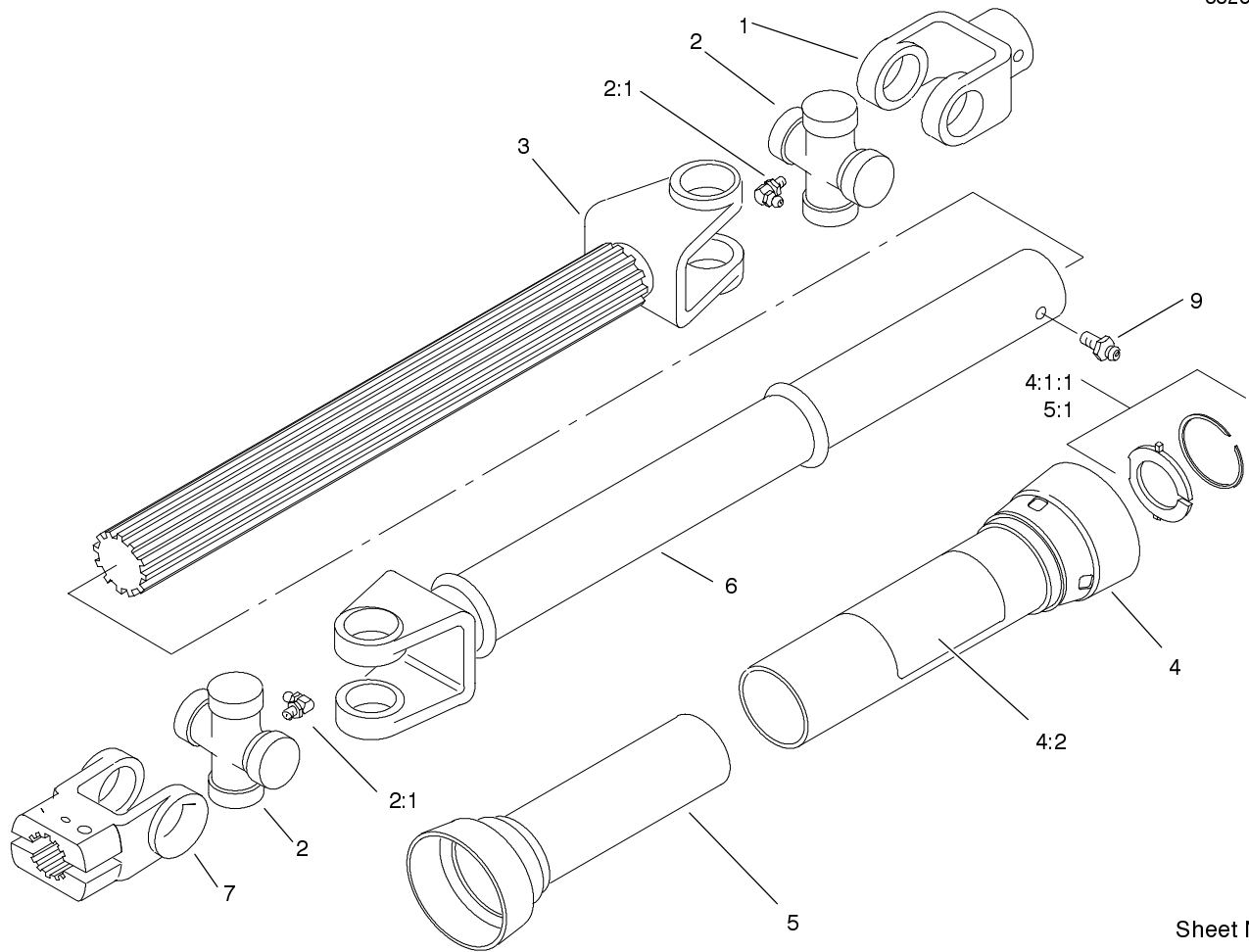


Sheet No.:6

## Gearbox and Drive Assembly

Ref. No.	Part No.	Qty.	Description	Ref. No.	Part No.	Qty.	Description
1	93-9962	1	Driveshaft (only on: 30716)	24	3257-5	1	Key-Woodruff
2	68-8560-03	1	Bracket-Gearbox	27	3234-18	1	Screw-HHF
3	104-3441	1	Box-Gear	28	3256-24	6	Washer-Flat (only on: 30716)
4	32104-82	2	Screw-HHF	29	93-9994	1	Driveshaft W/Guard (only on: 30716te)
5	93-9839-03	1	Shroud - Drive Shaft				
6	32128-21	10	Nut-HF				
7	63-8410	4	Washer				
8	3253-21	5	Washer-Lock				
9	323-4	5	Screw-HH				
10	63-9750	4	Mount				
11	85-6330-03	1	Bracket-Gearbox				
12	3231-26	3	Screw-CARR				
14	93-8457	1	V-Belt, Hex				
15	85-5860	1	Pulley-Gearbox				
16	23-1640	1	Bushing-Taperlock				
16:1	3247-4	2	Screw-Set				
19	94-9162	1	Plate ASM-Gearbox				
19:2	93-7818	1	Decal-Torque, Blade				
19:3	93-7826	1	Decal-HOC				
19:4	93-6697	1	Decal - Lube				
19:5	93-7809	1	Decal - Warning				
20	3234-11	6	Screw-HHF				
21	322-9	2	Screw-HH				
22	3296-29	2	Nut-Lock				
23	32121-34	2	Pin-Roll				





Sheet No.:A6  
T-3709

## Driveshaft Assembly No. 93-9994

Ref. No.	Part No.	Qty.	Description
1	62-3800	1	Yoke-End
2	54-9180	2	U-Joint Kit
2:1	62-3820	1	Fitting-Grease
3	93-9957	1	Slip Yoke - Shaft
4	93-9984	1	Outer Guard, W/Decal (only on: 30716te)
☆4:1		1	Guard - Outer (only on: 30716te)
4:1:1	93-9958	1	Kit - Nylon Repair (only on: 30716te)
4:2	93-7283	1	Decal-Danger (only on: 30716te)
5	93-9960	1	Guard - Inner (only on: 30716te)
5:1	93-9958	1	Kit - Nylon Repair (only on: 30716te)
6	93-9961	1	Slip Yoke - Tube
7	54-9040	1	Yoke-End
9	302-58	1	Fitting - Grease

Ref. No.	Part No.	Qty.	Description

☆ Not serviced









