



48" Side Discharge Mower
Wheelhorse® Lawn and Garden Tractors
Model No. 78261-21000001 and Up

Parts Catalog

Ordering Replacement Parts

To order replacement parts, please supply: the part number, the quantity, and the description of each part desired.

Understanding Reference Numbers

Each identified part in an illustration has a reference number. The reference number for a part also appears in the parts list, along with other information about the part.

This catalog uses two special reference number formats, one to indicate parts in a service assembly and another to indicate the quantity of a given part in an illustration.

Service Assembly Reference Numbers

Parts in service assemblies have reference numbers in the form **a:b**. The **a** represents the reference number of the entire service assembly and the **b** represents a sequential number unique to each part within the service assembly.

For example, a wheel assembly might be identified by reference number **6**, the tire by **6:1**, the valve by **6:2**, and the wheel by **6:3**. When you order the assembly identified by reference number **6**, you receive all parts identified by reference numbers **6:1**, **6:2**, and **6:3**. However, you may also order any part individually.

Reference numbers of this type appear in illustrations and in part lists.

Reference Numbers Indicating Quantity

In an illustration, if a reference number indicates more than one part, the reference number has the form **nX y**. The **n** represents the quantity of the part, the **X** is the multiplication symbol, and the **y** represents the reference number.

For example, in an illustration, the reference number **2X 37** means that two of the parts identified by reference number **37** are indicated.

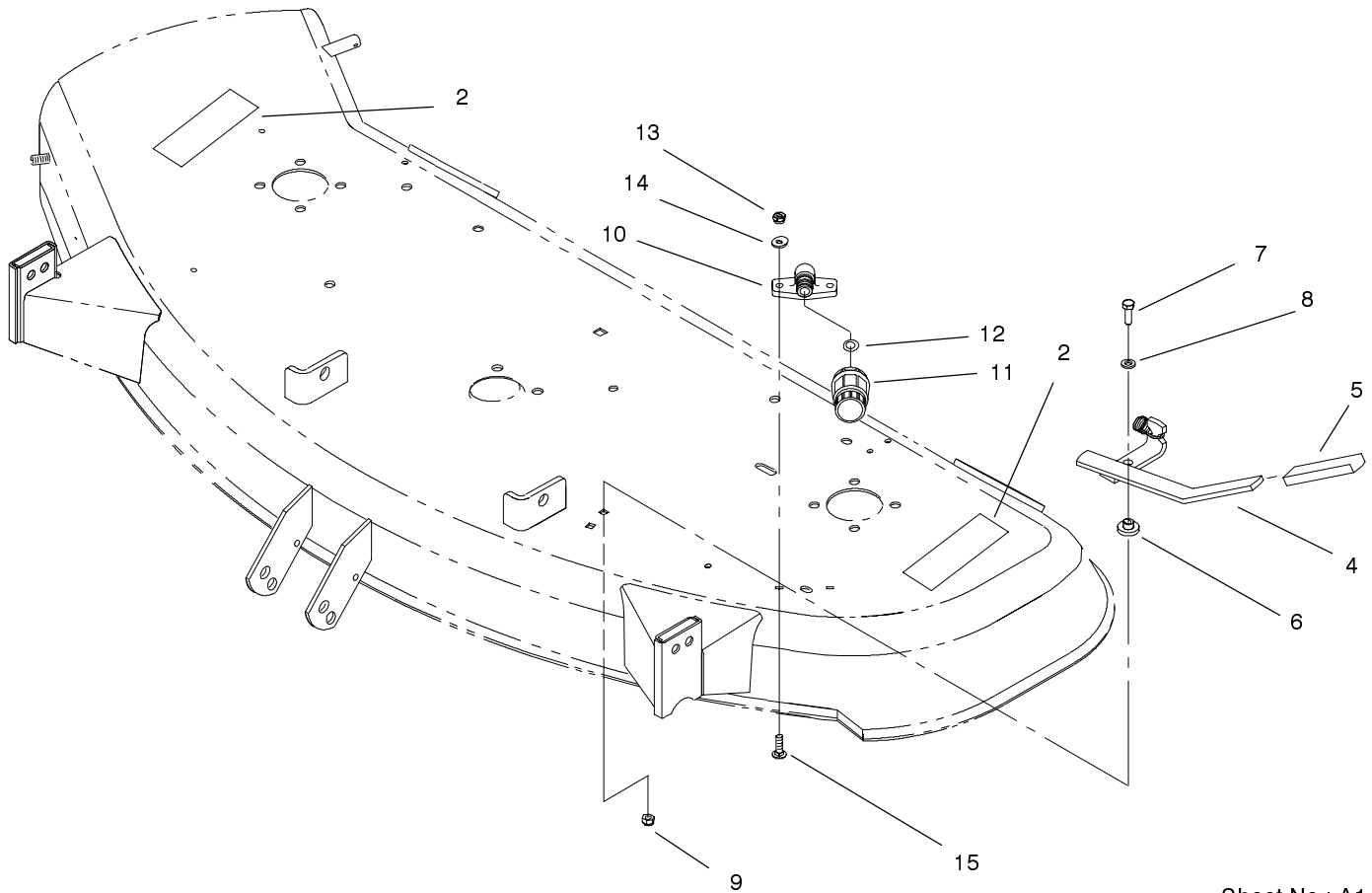
Contents

Description	Page	Description	Page
Reinforcement Plate Assembly	3	Deck Suspension Assembly	6
Washout & Lever Assembly	4	Decals	7
Spindle & Blade Assembly	5		

Part Description Abbreviations

Part descriptions in this catalog may include the following abbreviations.

Abbreviation	Meaning	Abbreviation	Meaning
AR	as required	HYD	hydraulic
ASM	assembly	INC	incorporated
CARR	carriage	LH	left hand
DEG	degrees	NI	nylon insert
FH	flat head	PPH	Phillips pan head
GA	gauge	PTH	Phillips truss head
HF	hex flange	PTO	power take off
HH	hex head	RH	right hand
HHF	hex head flange	SFH	slotted fillister head
HLH	hex lag head	SHH	slotted hex head
HJ	hex jam	SQH	square head
HOC	height-of-cut	SHWH	slotted hex washer head
HS	hex socket	SPH	slotted pan head
HSBH	hex socket button head	SRH	slotted round head
HSFH	hex socket flat head	STD	standard
HSH	hex socket head	TAP	self tapping
HWH	hex washer head	TTH	Torx truss head
HWHTF	hex washer head thread forming	WH	wing head

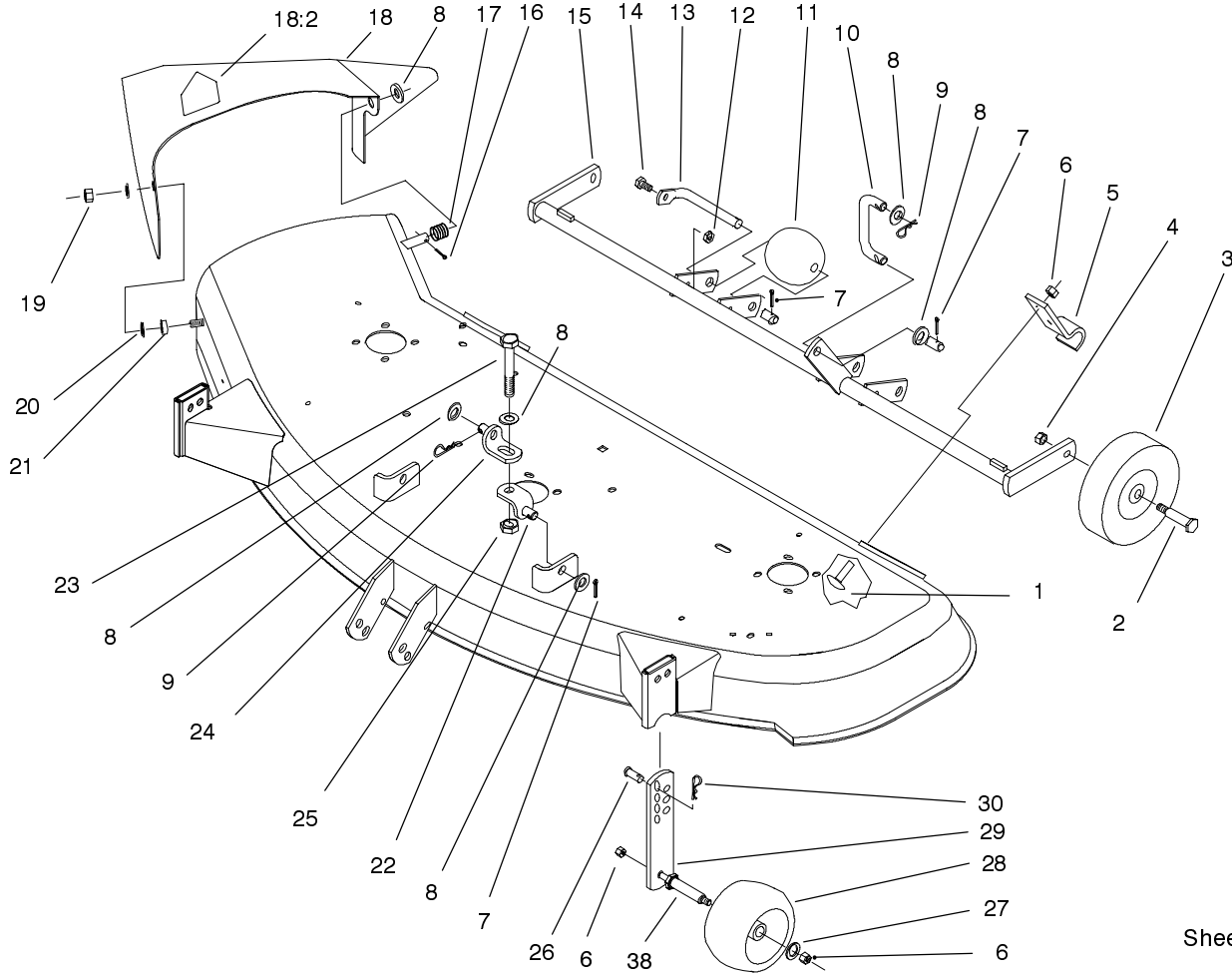


Sheet No.: A1
C-2997

Washout and Lever Assembly

Ref. No.	Part No.	Qty.	Description
2	92-7108	1	Decal-Danger
4	94-9738-03	1	Lever
5	103712	1	Grip
6	88-5010	1	Spacer - Steering Rack
7	322-6	1	Screw-HH
8	3256-23	1	Washer-Flat
9	3296-29	1	Nut-Lock
10	95-2747	1	Fitting-Washout
11	95-3270	1	Connector-Hose
12	46-6290	1	O-Ring
13	3296-16	2	Nut-Lock, NI
14	3256-1	2	Washer-Flat
15	3229-1	2	Screw-CARR

Ref. No.	Part No.	Qty.	Description

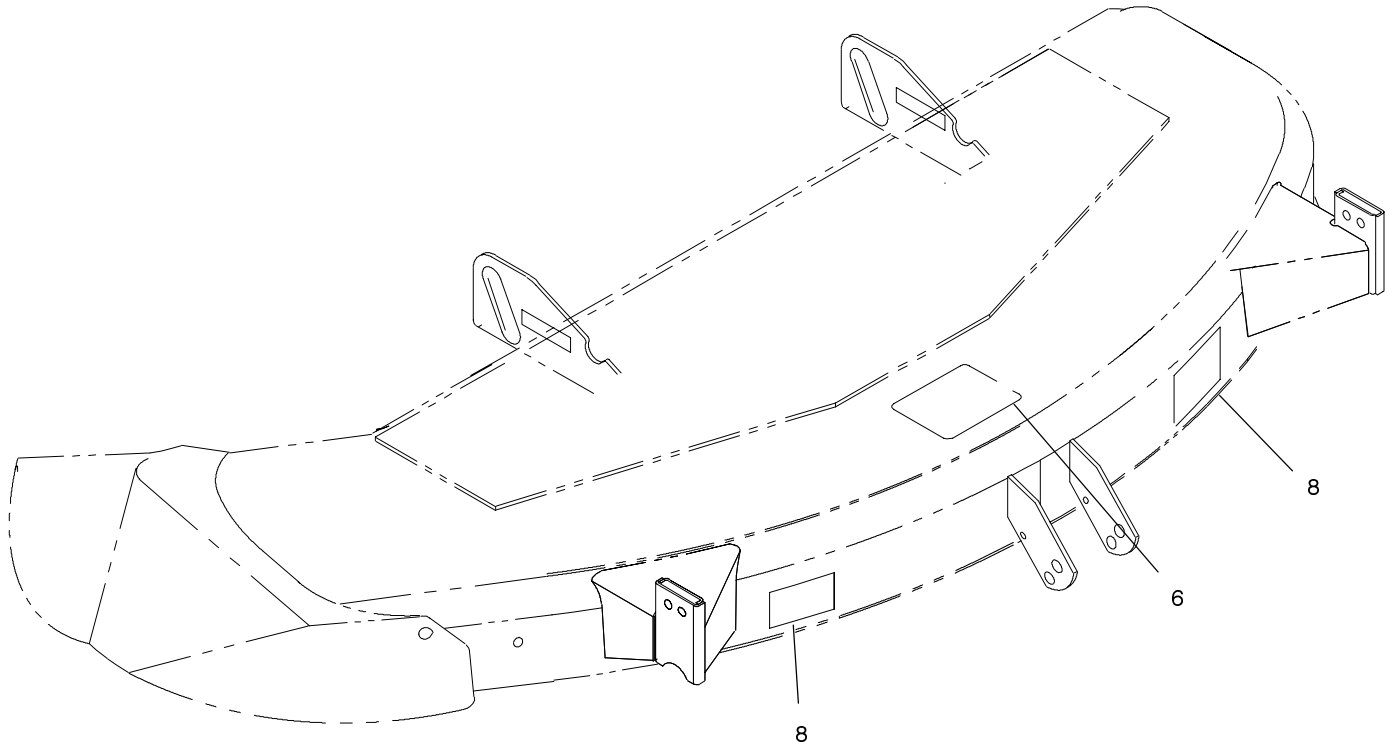


Sheet No.:4
C-2998

Deck Suspension Assembly

Ref. No.	Part No.	Qty.	Description
1	3231-25	4	Screw-CARR
2	92-1057	2	Bolt-Shoulder
3	92-6959	2	Wheel
4	32146-2	2	Nut-Lock, NI
5	110837-03	2	Bracket-Pivot
6	3296-39	8	Nut-Lock, NI
7	3272-21	6	Pin-Cotter
8	3256-26	9	Washer-Flat
9	9335064	3	Pin-Hair
10	79-5380	1	Link-Rear
11	29-4820	3	Roller
12	3296-42	3	Nut-Lock NI
13	118960-03	3	Shaft-Roller
14	321-4	3	Screw-HH
15	79-4140-03	1	Support-Gage Wheel
16	3272-10	1	Pin-Cotter
17	93-1630	1	Spring - Deflector
18	99-3708	1	Chute ASM
18:2	93-1122	1	Decal-Danger
19	9152366	1	Nut-HJ
20	93-1633	2	Washer
21	116080	1	Bushing-Pivot
22	86-9250	2	Bracket-Lift, Upper
23	325-13	2	Screw-HH
24	86-9240	2	Bracket-Lift, Lower
25	3218-5	2	Nut-Jam

Ref. No.	Part No.	Qty.	Description
26	283-2	2	Pin-Clevis
27	3256-24	2	Washer-Flat
28	68-2730	2	Gage-Wheel
29	100-8736	2	Plate-Gage Wheel
30	9335054	2	Pin-Hair
38	99-2842	2	Spacer-Wheel



Sheet No.:5
C-2999

Decals

Ref. No.	Part No.	Qty.	Description
6	116286	1	Decal-Belt Install
8	68-3380	2	Decal - Wheel Adjustment

Ref. No.	Part No.	Qty.	Description

