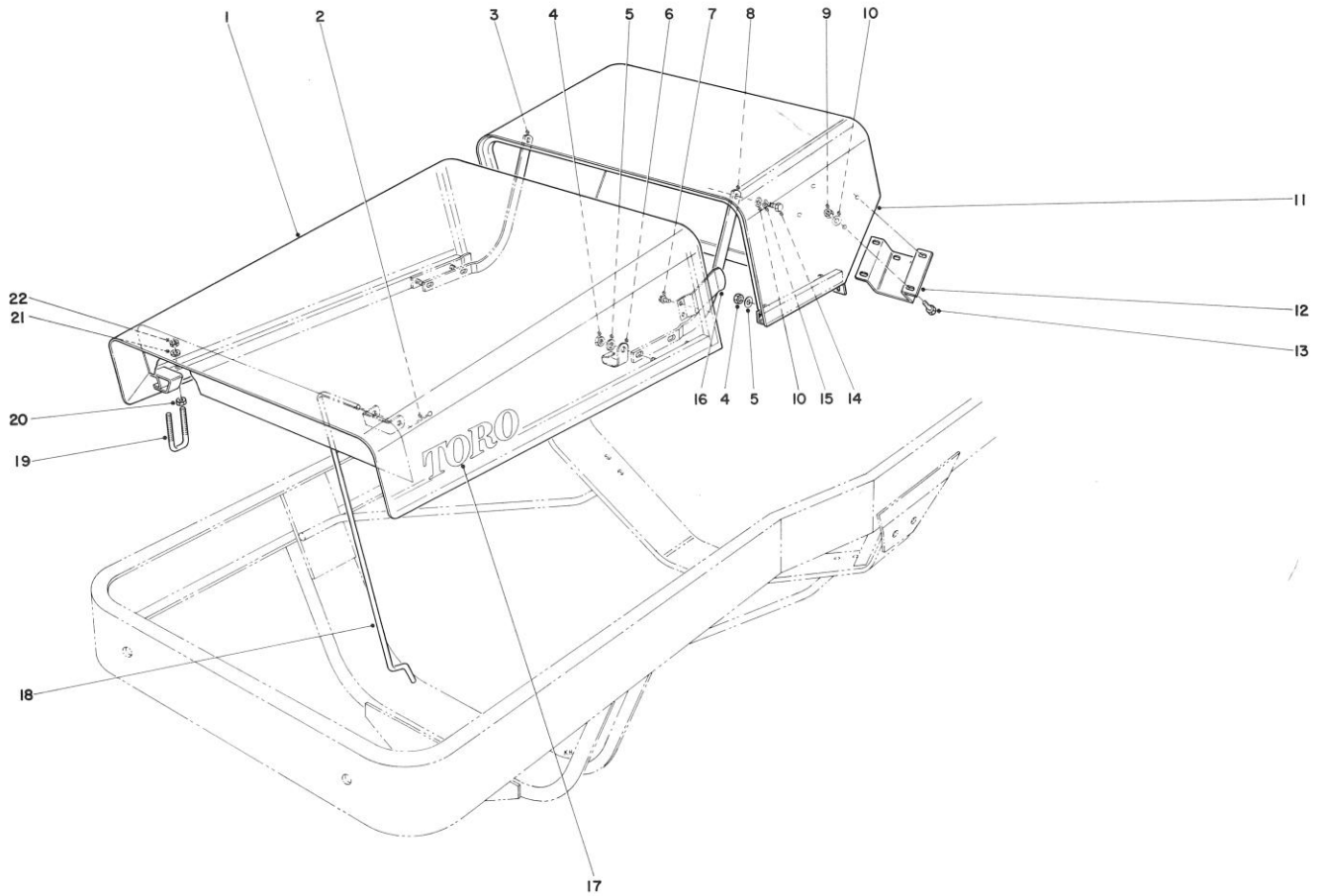




MODEL NO. 37027 - 40001 & UP GENERAL TRACTOR
 MODEL NO. 33755 - 40001 & UP PARKMASTER 5
 MODEL NO. 33787 - 40001 & UP PARKMASTER 7
 MODEL NO. 33876 - 40001 & UP PARKMASTER 9

**PARTS
 CATALOG**

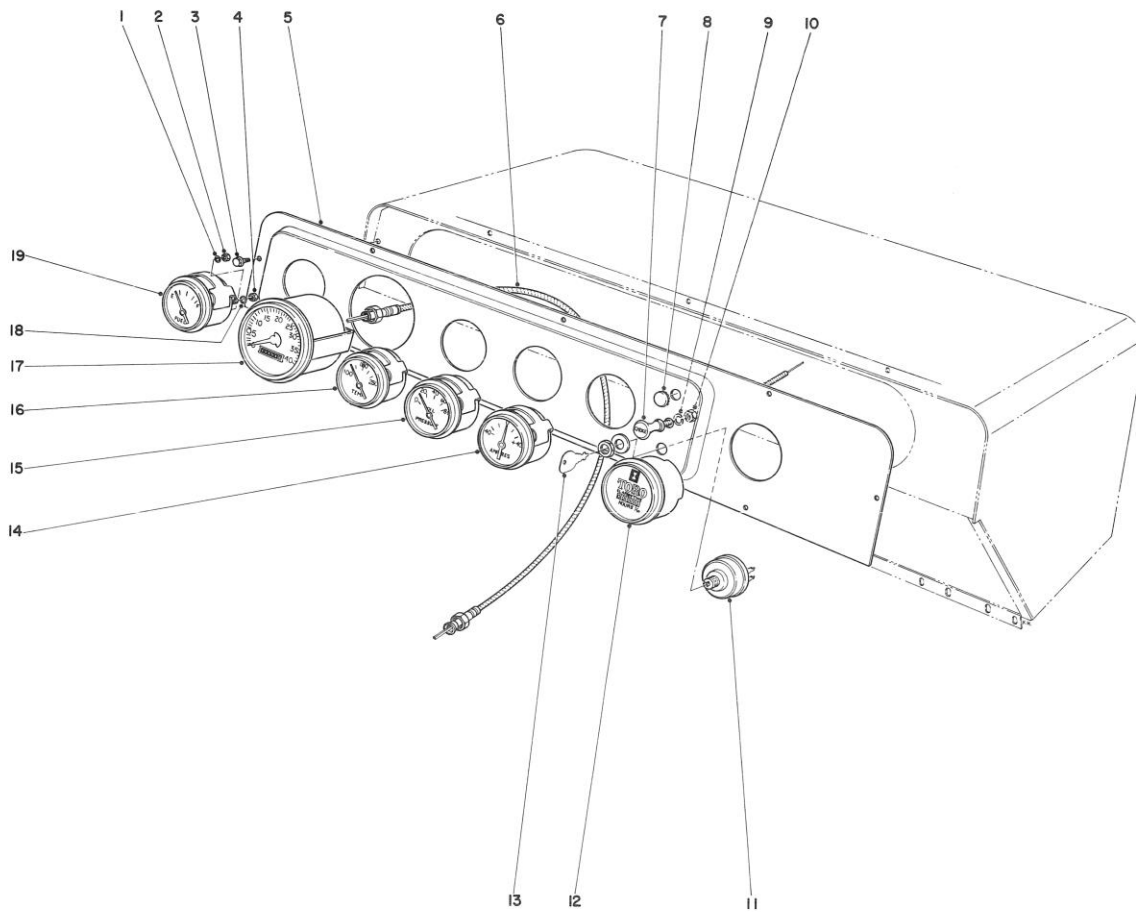
**GENERAL TRACTOR
 WITH PARKMASTER 5, 7 and 9**



HOOD ASSEMBLY

Ref. No.	Part No.	Description	No. Used
1	18-0630	Hood	1
2	3272-9	Cotter Pin	1
3	18-0760	Pivot Arm R.H.	1
4	32146-2	Lock Nut	8
5	3256-24	Flatwasher	8
6	18-1270	Hood Clip	1
7	32140-32	Screw	4
8	18-0750	Pivot Arm L.H.	1
9	32146-5	Lock Nut	4
10	3256-23	Flatwasher	6
11	18-0560	Cowl	1

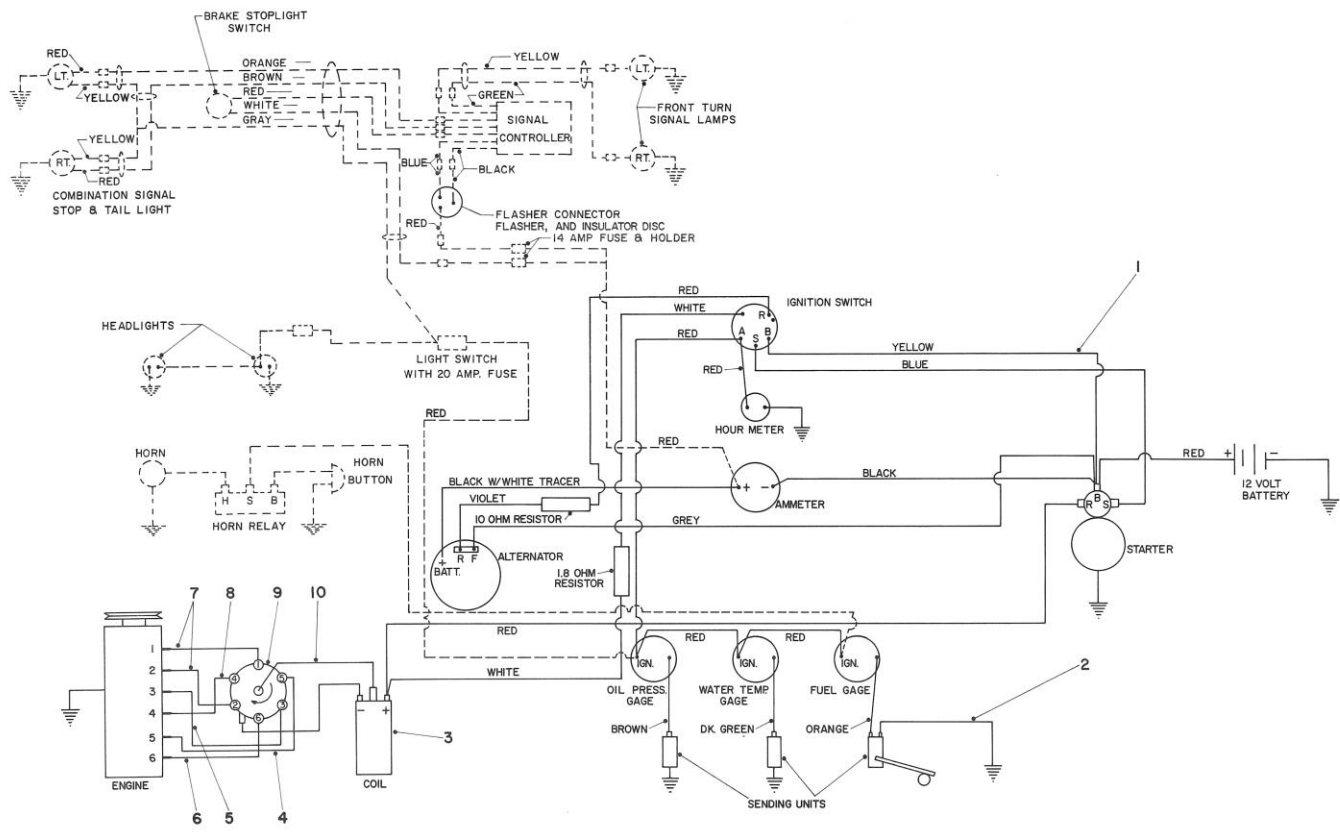
Ref. No.	Part No.	Description	No. Used
12	18-0770	Steering Column Support	1
13	322-2	Capscrew	4
14	322-1	Capscrew	2
15	3253-4	Lockwasher	2
16	18-3230	Hood Support Spring	2
17	18-2180	Decal, Hood	2
18	18-1280	Hood Prop	1
19	18-1290	U-Bolt	2
20	3218-1	Jam Nut	4
21	3253-3	Lockwasher	4
22	3217-5	Nut	4



DASH ASSEMBLY

Ref. No.	Part No.	Description	No. Used
1	3253-17	Lockwasher	8
2	3219-14	Nut	8
3	32104-77	Self-Tapping Screw	8
4	3217-29	Nut	10
5	18-1390	Instrument Panel	1
6	18-2670	Speedometer Cable	1
7	3-3196	Choke (Incl. Ref. 9 & 10)	1
8	2410-13	Plug Button	1
9	3253-21	Lockwasher	1
10	3220-3	Jam Nut	1

Ref. No.	Part No.	Description	No. Used
11	12-8140	Ignition Switch	1
12	12-9990	Hourmeter	1
13	218-412	Key (2)	1
14	18-2190	Ammeter	1
15	18-2200	Oil Pressure Gauge	1
16	18-2220	Temperature Gauge	1
17	18-2230	Speedometer	1
18	3254-9	Lockwasher	10
19	18-2210	Fuel Gauge	1



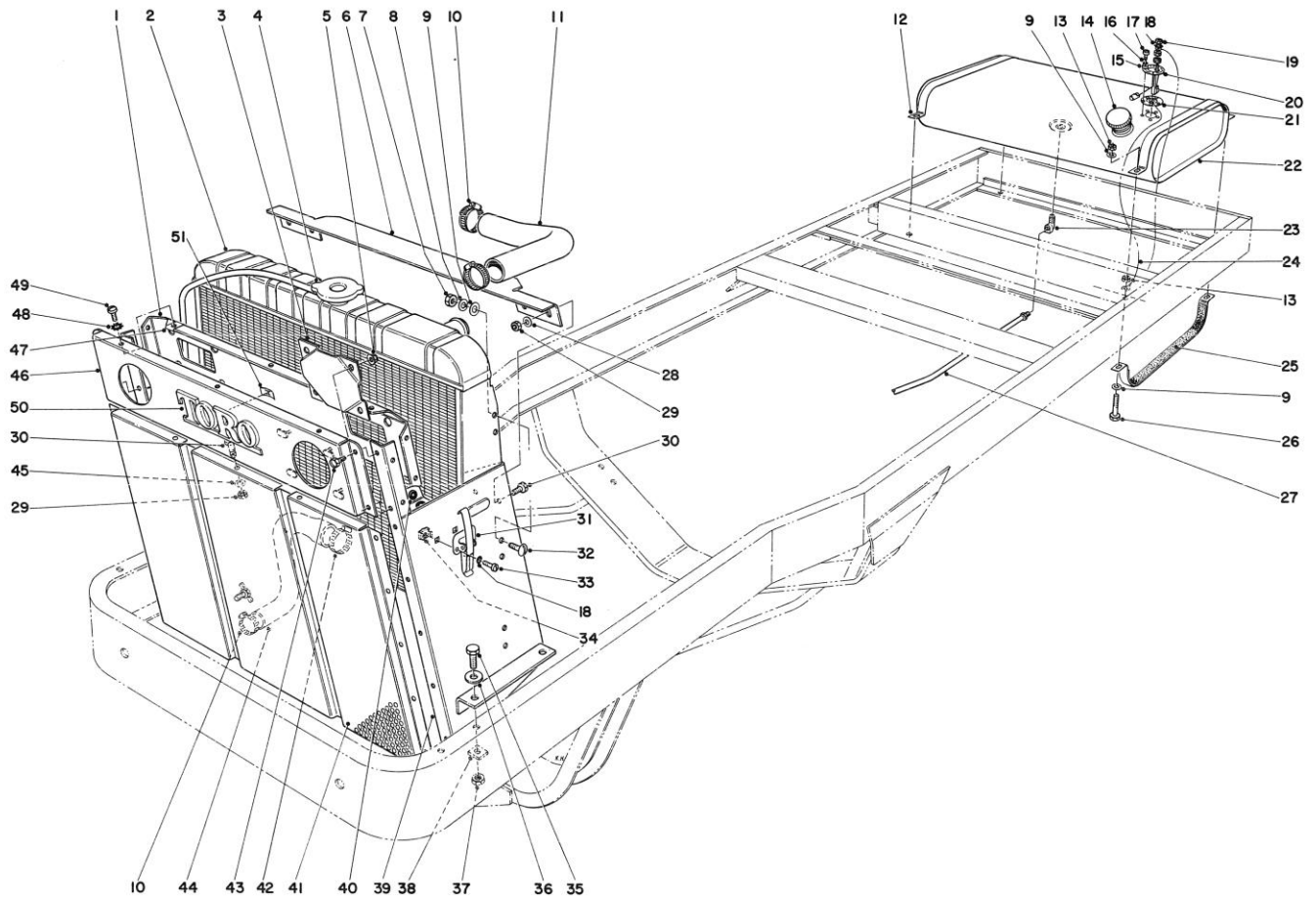
WIRING HARNESS — 12 Volt Negative Ground

Ref. No.	Part No.	Description	No. Used
1*	18-2890	Wiring Harness Complete	1
2*	3-3868	Ground Wire	1
3**	1115208	Coil	1
4**	8910003	Spark Plug Wire No. 5	1
5**	8910001	Spark Plug Wire No. 3	1

Ref. No.	Part No.	Description	No. Used
6**	8910004	Spark Plug Wire No. 6	1
7**	8910000	Spark Plug Wire No's. 1 & 2	2
8**	8910002	Spark Plug Wire No. 4	1
9**	1110499	Distributor	1
10**	2985951	Wire (Coil to Dist.)	1

*Obtain from your Toro Distributor.

**Obtain from local GM, Chevrolet Dealer.



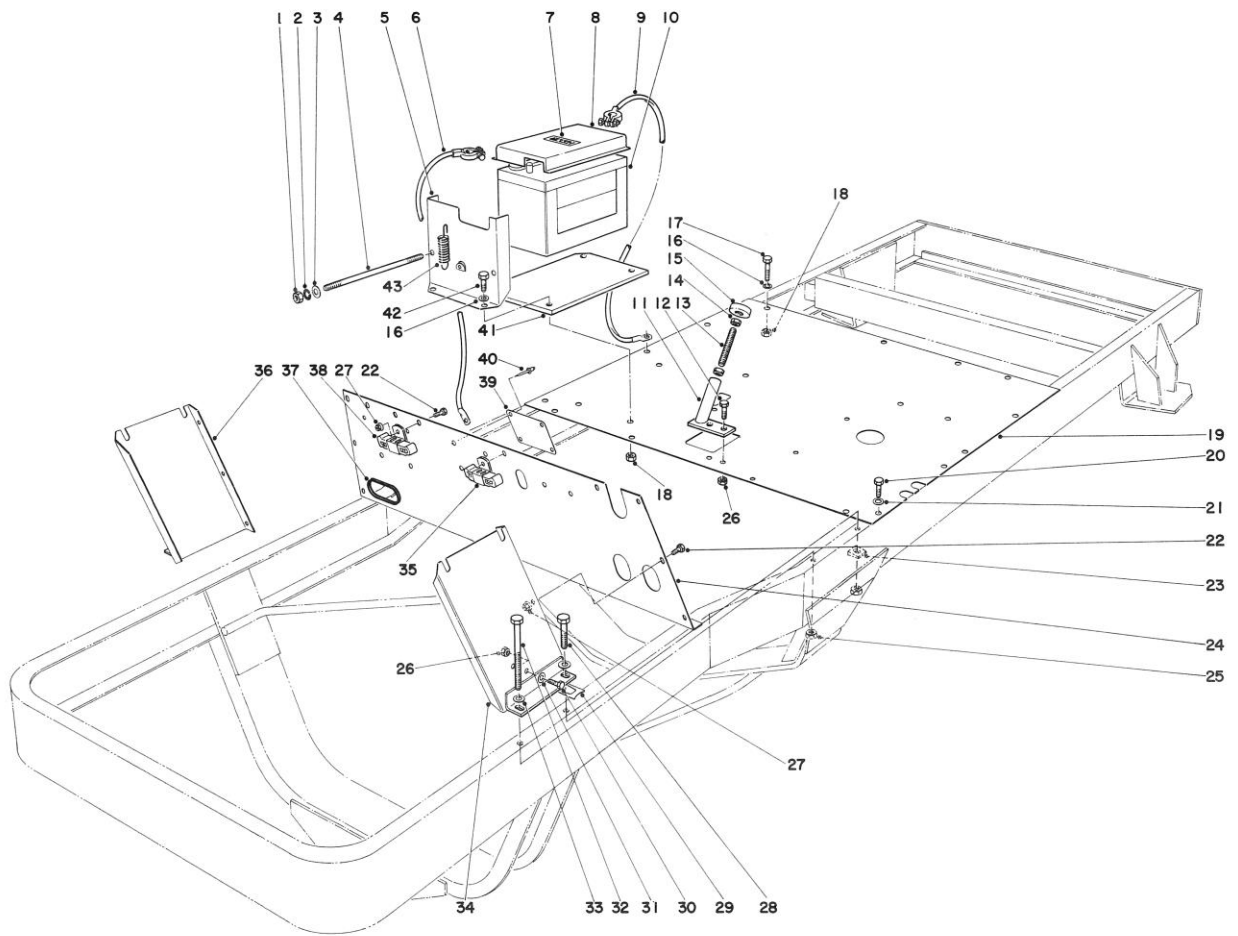
RADIATOR AND FUEL TANK ASSEMBLY

Ref. No.	Part No.	Description	No. Used
1	18-1020	Headlight Cover	1
2	18-2160	Radiator	1
3	18-4350	Headlight Hole Cover	2
4†	861042	Radiator Cap (15 P.S.I.)	1
5	32128-17	Flange Nut	8
6	18-1030	Fan Deflector	1
7	3217-6	Nut	8
8	3253-4	Lockwasher	8
9	3256-23	Flatwasher	16
10	2412-3	Hose Clamp	3
11	18-1820	Upper Radiator Hose	1
12	18-1220	Fuel Tank Strap	4
13	32146-5	Locknut	8
14	222-8	Gas Cap	1
15	237-49	Nylon Washer	5
16	3254-1	Lockwasher	5
17	3252-16	Machine Screw	5
18	3255-17	Lockwasher	5
19	3219-14	Nut	2
20	18-2370	Fuel Sender	1
21	18-2380	Gasket	1
22	5-9599	Fuel Tank	1
23	353-420	Fitting	1
24	3-3868	Ground Wire	1
25	3-3824	Felt Strip	4
26	3290-319	Machine Screw	4

Ref. No.	Part No.	Description	No. Used
27	19-3240	Fuel Line	1
28	3256-22	Flatwasher	4
29	32146-17	Lock Nut	7
30	321-2	Capscrew	7
31	249-10	Hood Clamp	2
32	32122-14	Machine Screw	8
33	3252-2	Screw	4
34	3217-26	Nut	4
35	325-6	Capscrew	4
36	3256-26	Flatwasher	4
37	32146-13	Lock Nut	4
38	3290-216	Bevel Washer	4
39	18-0880	Front Side Panel L. H.	1
*	18-0870	Front Side Panel R. H.	1
40	237-37	Rubber Bumper	4
41	18-0960	Grille	1
42	2412-42	Hose Clamp	1
43	32140-42	Self-Tapping Screw	14
44	18-1830	Lower Radiator Hose	1
45	3256-22	Flatwasher	3
46	18-0990	Headlight Panel	1
47	3290-192	Tinnerman Clip	7
48	3255-7	Washer	7
49	3290-145	Screw	7
50	19-7040	Toro Emblem	1
51	3290-299	Tinnerman Clip	5

*Not Illustrated

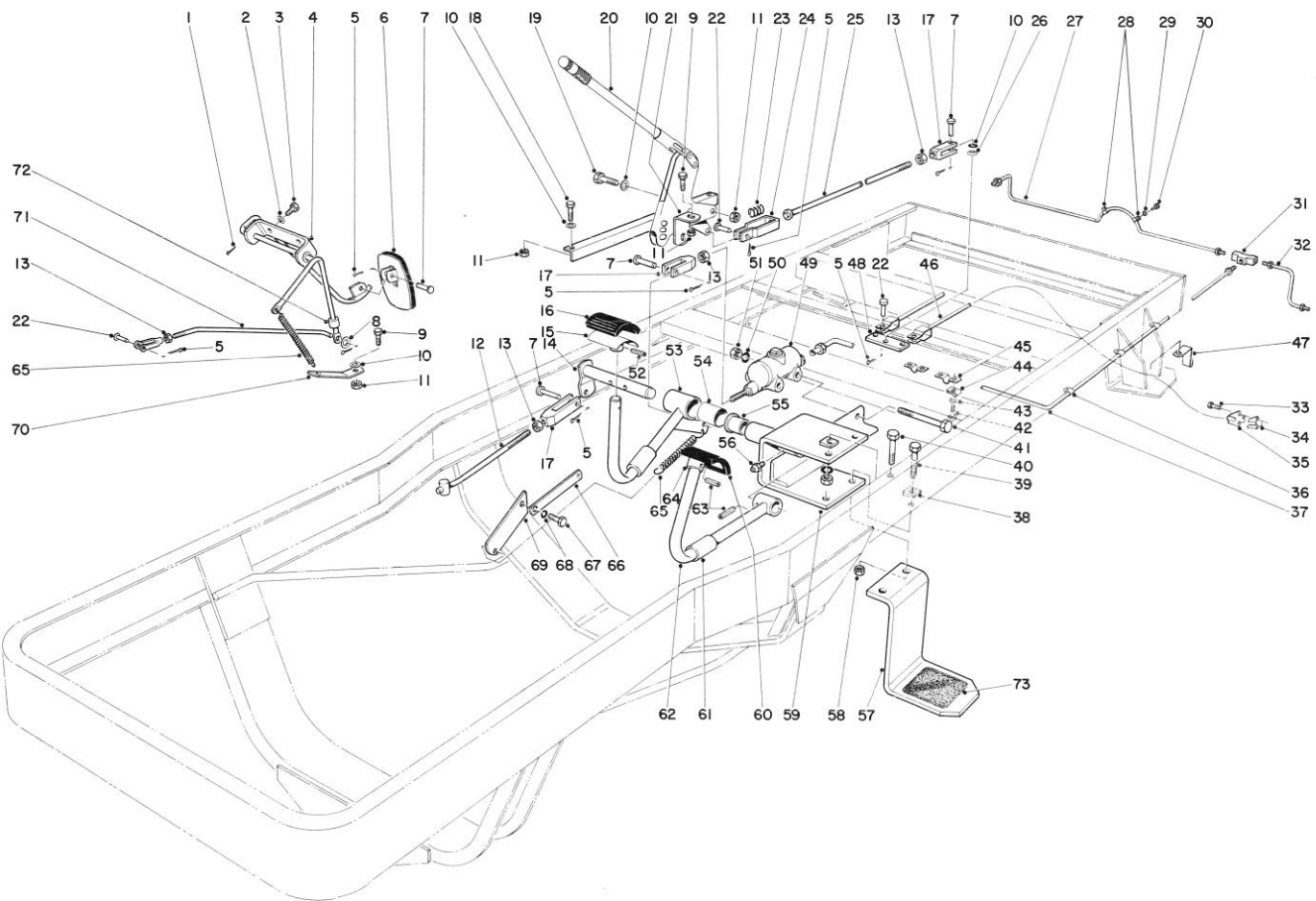
4 †Obtain from your local GM, Chevrolet Dealer.



TOE BOARD AND BATTERY ASSEMBLY

Ref. No.	Part No.	Description	No. Used
1	3217-5	Nut	4
2	3253-3	Lockwasher	4
3	3256-2	Flatwasher	4
4	5-0678	Battery Rod	2
5	3-5967	Battery Support	2
6	18-2760	Cable (Hot)	1
7	3-5582	Decal	1
8	3-3175	Battery Cover	1
9	218-208	Ground Cable	1
10	239-6	Battery	1
11	10-3150	Footrest	1
12	322-3	Capscrew	2
13	5-2973	Rod	1
14	3219-2	Jam Nut	2
15	5-2967	Button	1
16	3256-24	Flatwasher	8
17	323-5	Capscrew	4
18	32146-2	Locknut	8
19	18-0840	Floor Plate	1
20	32104-6	Self-Tapping Screw	6
21	3256-26	Flatwasher	4
22	3290-321	Capscrew	9

Ref. No.	Part No.	Description	No. Used
23	3290-216	Bevel Washer	3
24	18-0850	Toe Board	1
25	32146-13	Locknut	4
26	32146-5	Locknut	4
27	32128-17	Flanged Lock Nut	9
28	325-9	Capscrew	3
29	20-5040	Shim	A/R
30	322-2	Capscrew	2
31	3256-23	Flatwasher	2
32	325-23	Capscrew	1
33	3256-26	Flatwasher	4
34	18-0790	Rear Side Plate L.H.	1
35	18-2680	Resistor (10 Ohm)	1
36	18-0800	Rear Side Plate R.H.	1
37	18-2310	Grommet	1
38	18-2690	Resistor (1.8 Ohm)	1
39	18-3200	Instruction Plate	1
40	3290-56	Pop Rivet	6
41	5-3455	Battery Base	1
42	323-8	Capscrew	4
43	3-8135	Spring	2



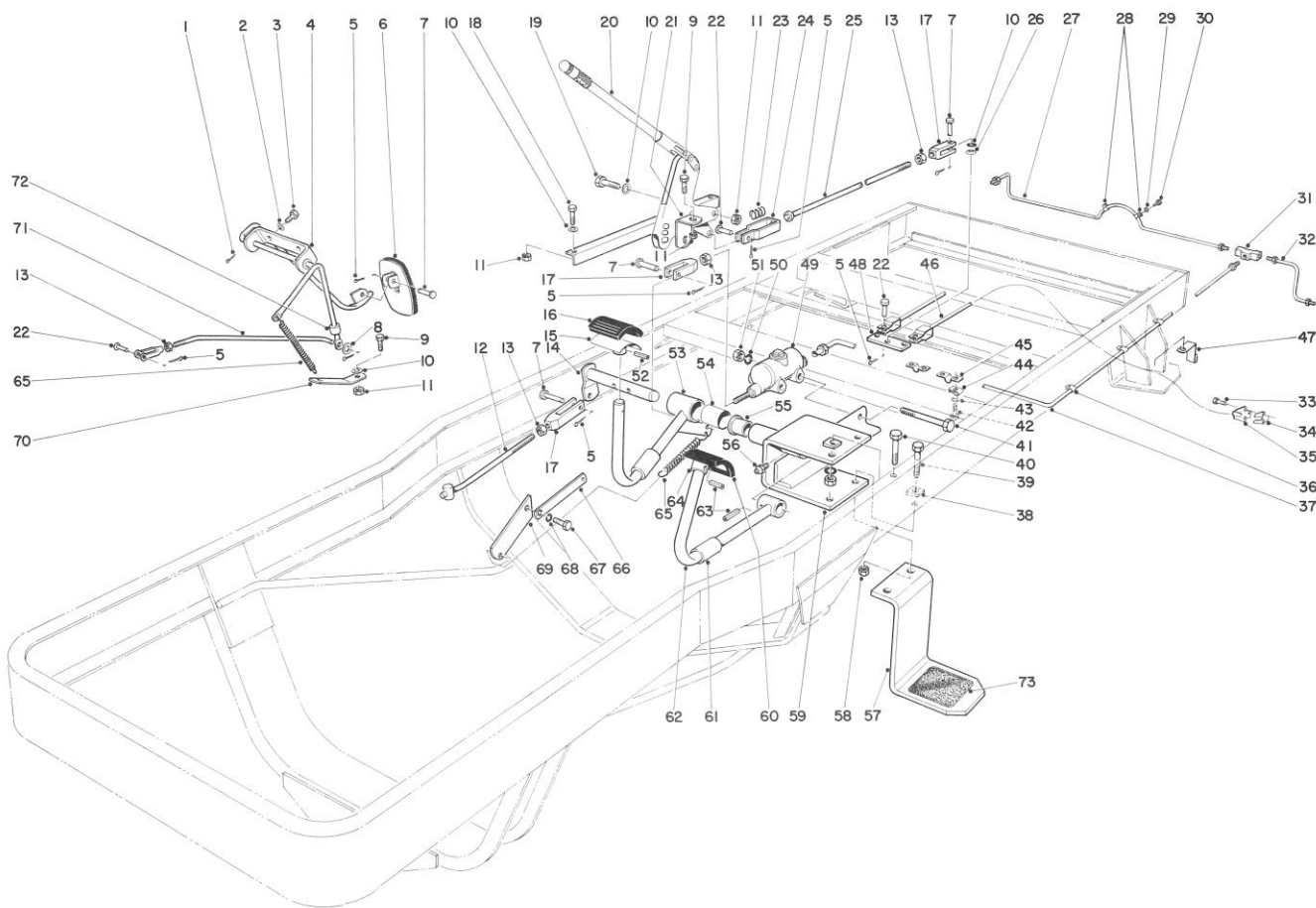
BRAKE, CLUTCH, THROTTLE CONTROLS

Ref. No.	Part No.	Description	No. Used
1	3272-5	Cotter Pin	2
2	3253-4	Lockwasher	2
3	32104-32	Self-Tapping Screw	2
4	18-2510	Foot Throttle	1
5	3272-6	Cotter Pin	5
6	10-2670	Accelerator Pedal	1
7	283-2	Clevis Pin	3
8	3256-22	Washer	1
9	323-5	Capscrew	2
10	3256-24	Flatwasher	8
11	32146-2	Lock Nut	8
12	18-1320	Clutch Link	1
13	3220-3	Jam Nut	3
14	18-1160	Pedal Shaft	1
15	10-0670	Pedal	1
16	7-3900	Brake Pad	1
17	282-1	Clevis	2
18	325-5	Capscrew	2
19	323-7	Capscrew	6
20	19-3120	Parking Brake	1
21	18-3260	Parking Brake Bracket	1
22	283-1	Yoke Pin	2
23	3-1768	Compression Spring	1
24	3-5300	Front Clevis	1
25	3-1772	Brake Rod	1
26	3290-211	Spring Washer	1

Ref. No.	Part No.	Description	No. Used
27	3-3690	Brake Tube Ass'y. (Long)	1
*28	3-3075	Clip	3
†	3-3075	Clip	2
*29	3254-6	Lockwasher	3
†	3254-6	Lockwasher	2
*30	323-2	Capscrew	1
31	304-2	Tee	2
32	3-3680	Brake Tube Ass'y. (Short)	1
33	32104-32	Self-Tapping Screw	4
34	19-5900	Felt Seal	2
35	19-5880	Conduit Cap	2
36	212-93	Clip-Wire	3
37	18-1180	Brake Tubing Assembly	1
38	3290-216	Bevel Washer	4
39	325-7	Capscrew	2
40	325-6	Capscrew	2
41	3212-14	Capscrew	2
42	32104-6	Self-Tapping Screw	4
43	3253-21	Lockwasher	4
44	18-2970	Fuel Line Clip	3
45	215-23	Clamp	2
*46	18-2630	Cable Assembly	2
†	19-6020	Cable Assembly	2
†47	19-6110	Support Brake Line	2
48	3-3137	Plate-Equalizer	1
49	215-17	Master Cylinder	1

†Used on units with serial no. 30400 and up.

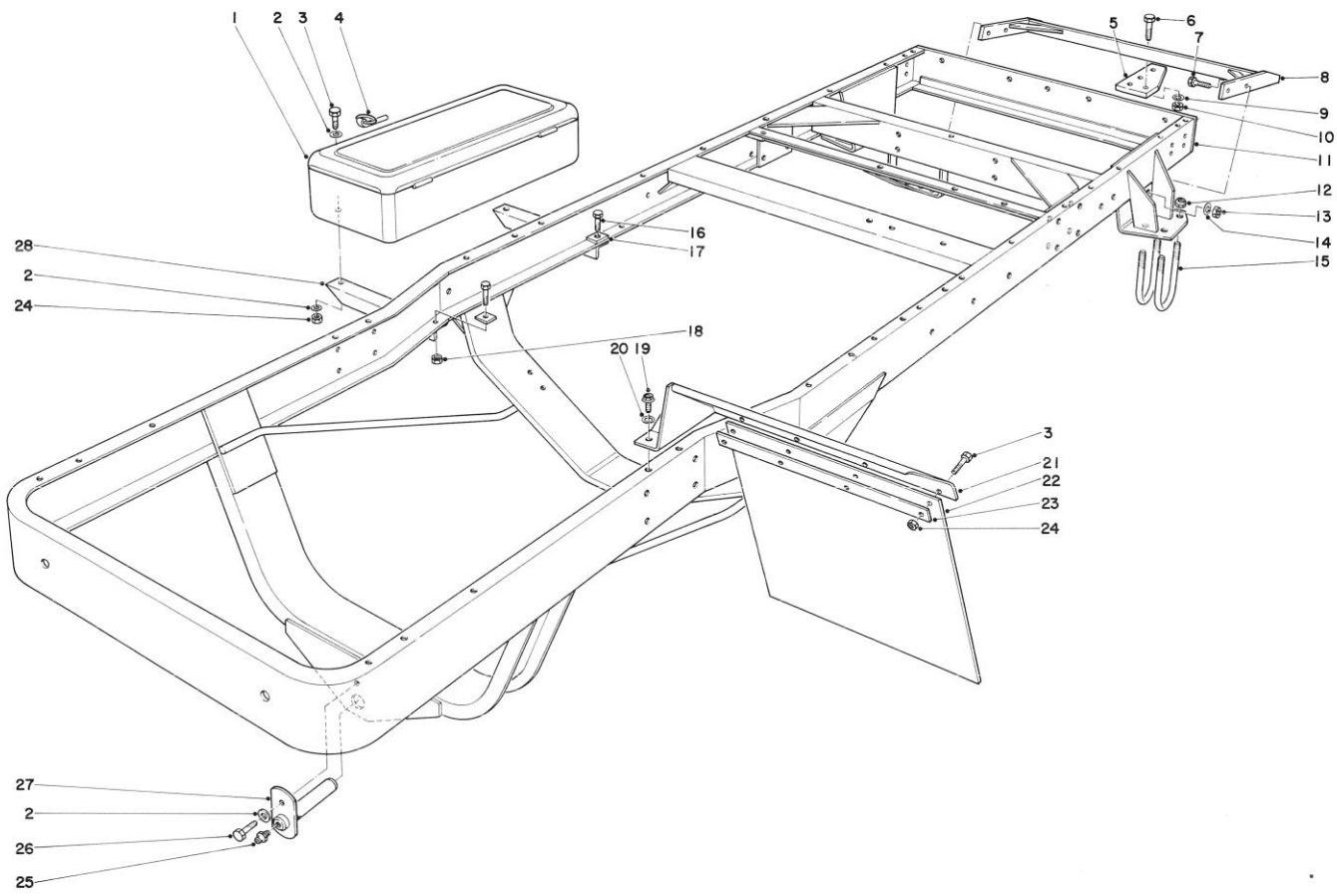
*Used on units with serial no. 30001 thru 30399.



BRAKE, CLUTCH, THROTTLE CONTROLS (Continued)

Ref. No.	Part No.	Description	No. Used
50	3253-6	Lockwasher	2
51	3218-4	Nut	2
52	32121-34	Retaining Pin	2
53	3-8760	Brake Pedal and Bushing Assembly (Incl. Ref. No. 54)	1
54	256-143	Bushing	1
55	256-10	Bushing	2
56	302-5	Grease Fitting	1
57	3-3112	Step	1
58	32146-13	Lock Nut	4
59	3-3740	Pedal Shaft Bracket Assembly (Incl. Ref. No. 55)	1
60	7-3901	Clutch Pad	1

Ref. No.	Part No.	Description	No. Used
61	3-3107	Rubber Bumper	2
62	3-3750	Clutch Pedal	1
63	32121-34	Roll Pin	2
64	10-0680	Pedal Pad	1
65	5-1706	Throttle Return Spring	2
66	18-1050	Return Spring Bracket	1
67	325-3	Capscrew	1
68	3253-7	Lockwasher	1
69	18-1060	Clutch Return Spring Bracket	1
70	18-2740	Throttle Spring Bracket	1
71	18-2610	Foot Throttle Link	1
72	18-2860	Foot Throttle Bumper	1
73	20-5050	Pad Step	1

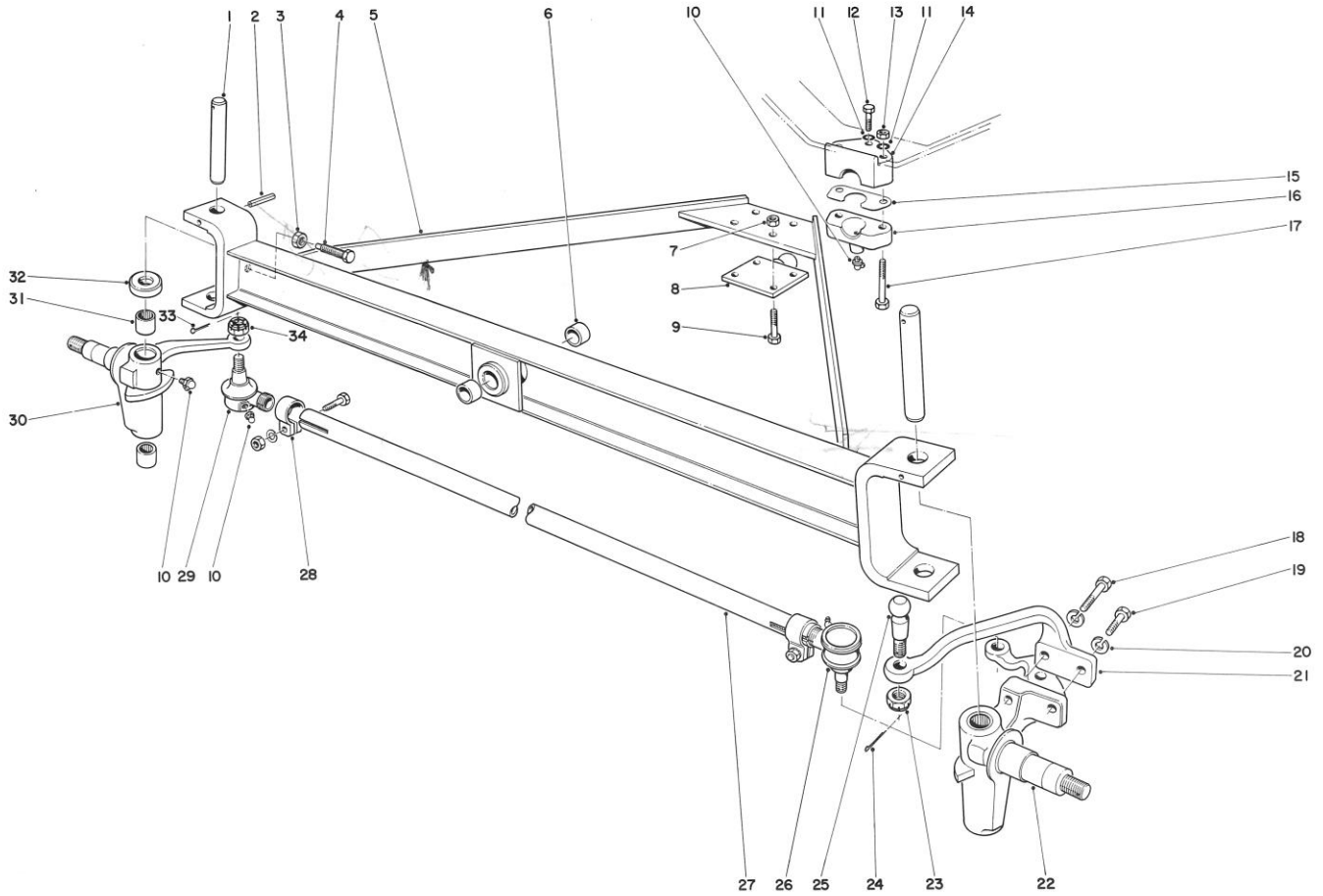


FRAME AND FRONT FENDER ASSEMBLY

Ref. No.	Part No.	Description	No. Used
1	5-2250	Tool Box	1
2	3256-24	Flatwasher	9
3	323-6	Capscrew	8
4	3290-243	Lynch Pin	1
5	3-3218	Hitch	1
6	328-2	Capscrew	2
7	327-5	Capscrew	4
8	18-2260	Draw Bar	1
9	3253-9	Lockwasher	2
10	3217-12	Nut	2
11	18-0340	Frame	1
12	3296-24	Lock Nut	8
13	3217-11	Nut	4
14	3253-8	Lockwasher	4
15	18-1300	U-Bolt	4

Ref. No.	Part No.	Description	No. Used
16	325-6	Capscrew	2
17	3290-216	Bevel Washer	2
18	32146-13	Nut	2
19	32144-13	Self-Tapping Screw	2
20	3253-7	Washer	2
21	10-2780	Fender L.H.	1
*	10-2770	Fender R.H.	1
22	10-2810	Rubber Flap	2
23	10-2820	Flap Support	2
24	32146-2	Nut	8
25	302-2	Grease Fitting	1
26	32104-6	Screw	1
27	3-3760	Pivot Pin	1
28	5-2248	Box Support	2

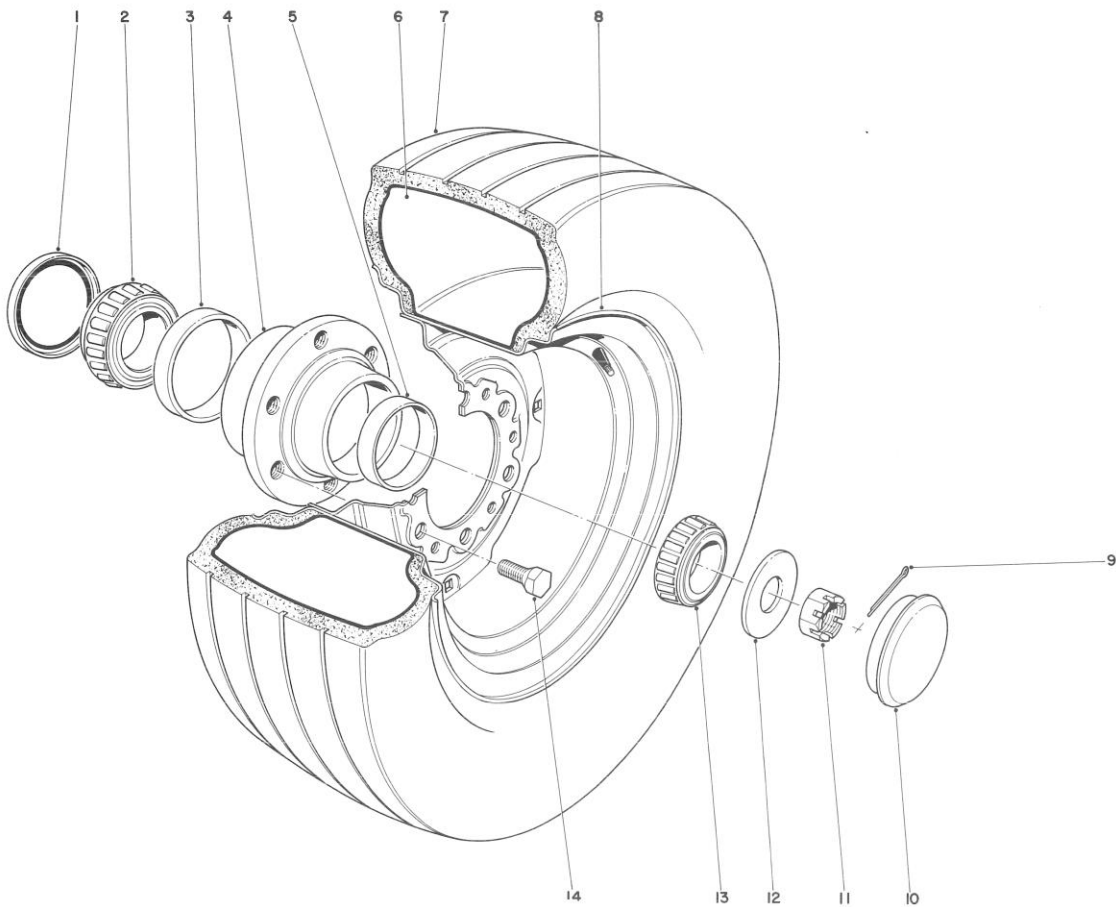
*Not Illustrated



FRONT AXLE ASSEMBLY

Ref. No.	Part No.	Description	No. Used
1	3-3084	Spindle Pin	2
2	32121-34	Roll Pin	2
3	3218-5	Jam Nut	2
4	32102-14	Set Screw	2
5	18-0710	Front Axle	1
6	256-126	Bushing	2
7	32146-13	Lock Nut	4
8	12-0360	Pivot Block	1
9	325-7	Capscrew	4
10	302-33	Grease Fitting	3
11	3253-8	Lockwasher	3
12	327-4	Capscrew	1
13	3219-6	Nut	2
14	3-2968	Lower Ball Socket	1
15	3-3825	Shim	A/R
16	3-2967	Upper Ball Socket	1
17	3214-13	Capscrew	2
18	3213-7	Capscrew	1

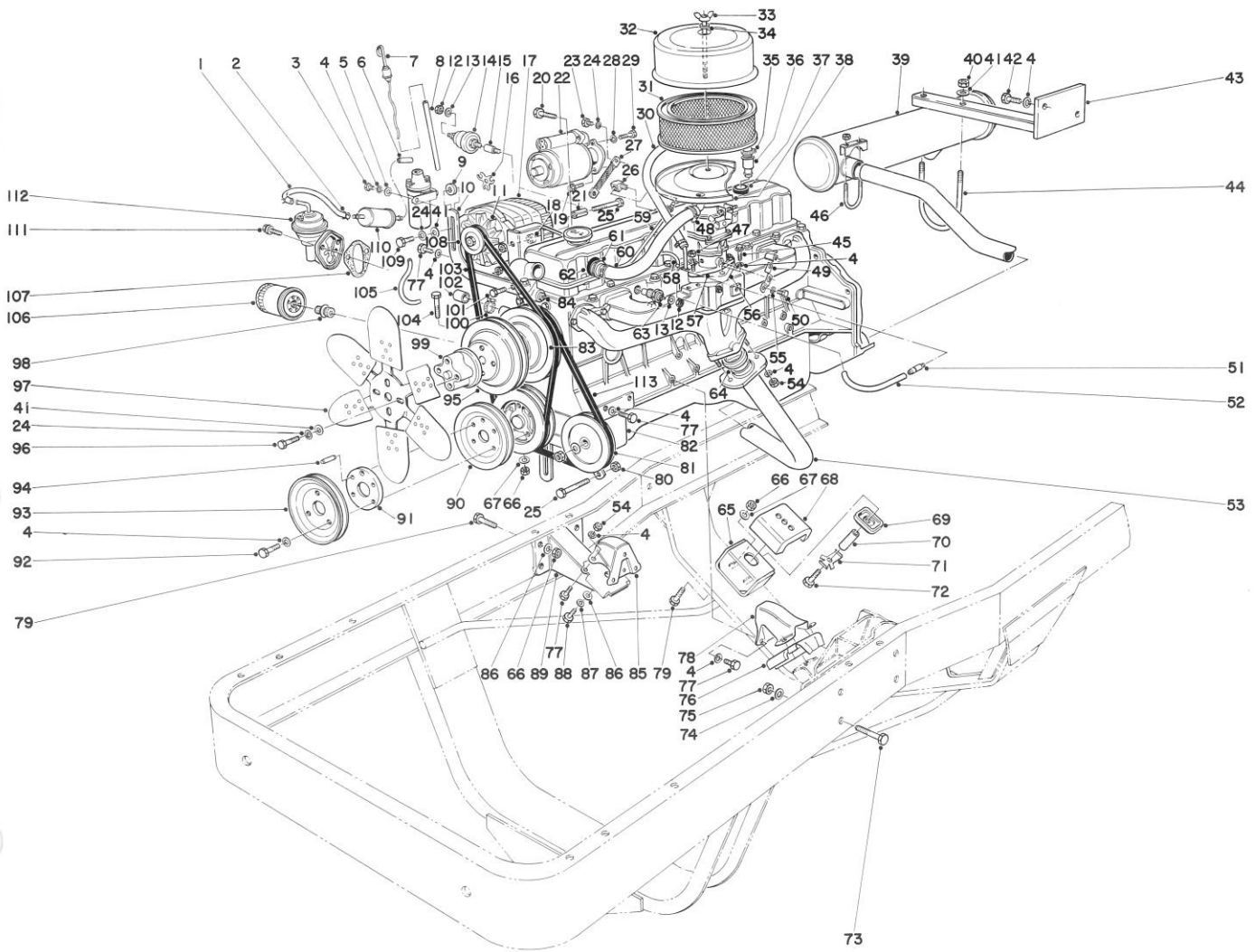
Ref. No.	Part No.	Description	No. Used
19	3213-3	Capscrew	1
20	3253-27	Lockwasher	2
21	3-2976	Drag Link Arm	1
22	3-3560	Spindle L.H.	1
23	32101-2	Slotted Nut	1
24	3272-7	Cotter Pin	1
25	5-2966	Ball Stud	1
26	2116-3	Ball Joint L.H.	1
27	3-3710	Tie Rod Assembly (Incl. Ref. No. 29)	1
28	2412-7	End Clamp	2
29	2116-4	Ball Joint R.H.	1
30	3-3550	Spindle R.H.	1
31	252-52	Needle Bearing	4
32	251-32	Thrust Bearing	2
33	3272-17	Cotter Pin	1
34	32126-2	Slotted Nut	1



FRONT WHEELS AND RIM - 6:70x15 General Tractor and Parkmaster 5 and 7

Ref. No.	Part No.	Description	No. Used
1	253-100	Grease Seal	2
2	254-75	Inner Bearing Cone	2
3	254-76	Inner Bearing Cup	2
4	217-26	Wheel Hub (Incl. Ref. No. 1-3, 5, 10, 13)	2
5	254-20	Outer Bearing Cup	2
6	232-17	Tube 6.70 x 15	2
7	231-54	Tire 6.70 x 15, 4-ply	2

Ref. No.	Part No.	Description	No. Used
8	217-27	Wheel (15")	2
9	3272-23	Cotter Pin	2
10	217-33	Hub Cap	2
11	32136-1	Slotted Hex Nut	2
12	3256-9	Washer	2
13	254-42	Outer Bearing Cone	2
14	217-34	Wheel Bolt	12

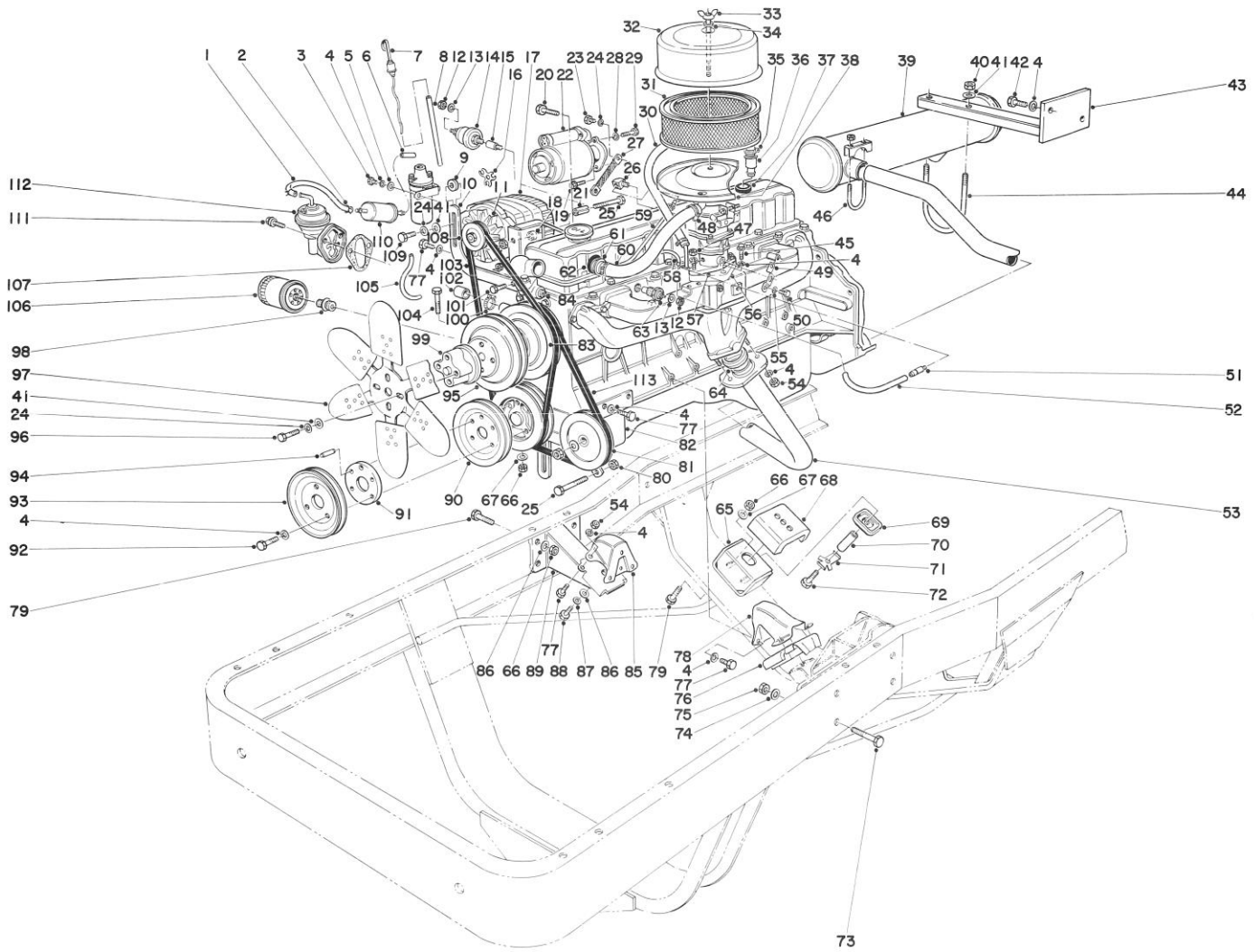


ENGINE ASSEMBLY

Ref. No.	Part No.	Description	No. Used
1	18-1530	Hose, Filter to Pump	1
2	2412-6	Hose Clamp	2
3	322-2	Capscrew	2
4	3253-21	Lockwasher	32
5	3256-24	Flat Washer	1
6	18-2400	Fuel Line	1
**7	3886082	Oil Level Gauge	1
**8	3886081	Oil Level Gauge Tube	1
9	5-4460	Washer	1
10	18-1120	Alternator Bracket	1
11	18-1600	Fan, Alternator	1
12	3219-14	Nut	2
13	3255-17	Lockwasher	2
14	18-1760	Oil Pressure Sending Unit	1
15	18-2650	Adapter	1
**16	3702799	Wire Retainer	2
17	18-1590	Alternator (GM No. 1100578)	1
18	3-8774	Spacer	1
**19	186678	Capscrew Assembly	2

Ref. No.	Part No.	Description	No. Used
20	323-9	Capscrew	1
**21	3825451	Alternator Spacer	1
**22	18-1450	Starter Motor (GM No. 1108368)	1
23	322-1	Capscrew	1
24	3253-4	Lockwasher	6
25	323-16	Capscrew	2
26	353-420	Inverted Flare Fitting	1
27	18-2770	Ground Cable	1
**28	138489	Lockwasher	1
**29	454467	Capscrew	1
30	18-0150	Hose, Crankcase	1
31	226-11	Cartridge	1
32	226-12	Cover	1
33	226-13	Wing Bolt	1
34	226-10	Gasket	1
35	2412-36	Hose Clamp	2
36	18-1490	Valve Assembly PCV	1
**37	3989344	Grommet	1
38	226-15	Base	1

**Obtain from your local GM Chevrolet Dealer

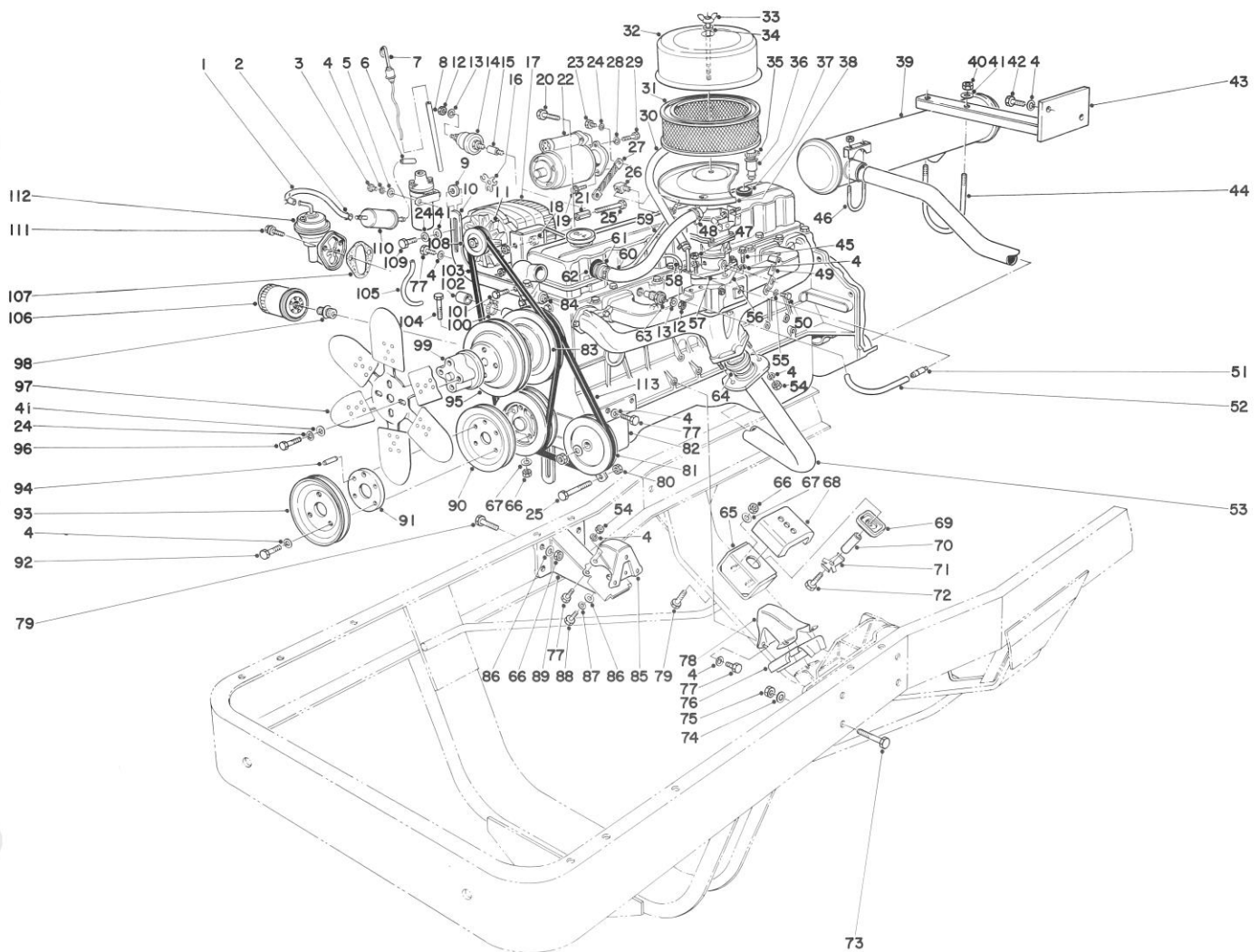


ENGINE ASSEMBLY (Continued)

Ref. No.	Part No.	Description	No. Used
39	19-8860	Muffler	1
40	32152-1	Locknut	2
41	3256-23	Flat Washer	7
42	323-5	Capscrew	2
43	19-8830	Muffler Support	1
44	19-7440	U-Bolt	1
45	323-37	Ferry Screw	2
46	20-4840	Muffler Clamp	1
47	3219-3	Nut	2
48	2412-34	Hose Clamp	2
49	18-8610	Carburetor Arm Connector	1
50	3290-237	Capscrew	1
51	18-2840	Vacuum Tube	1
52	18-1570	Vacuum Hose	1
53	19-8850	Exhaust Pipe	1
54	3217-7	Nut	6
55	3253-17	Lockwasher	1
56	18-1510	Carburetor Adapter	1
**57	3953732	Carburetor Gasket	2

Ref. No.	Part No.	Description	No. Used
58	18-1560	Vacuum Pipe	1
59	18-1580	Carburetor Gas Pipe	1
60	18-1500	Valve Cover Hose	1
**61	6262895	Arrestor	1
**62	3989347	Grommet	1
63	18-1750	Water Temp. Sending Unit	1
**64	6271611	Exhaust Pipe Packing	1
65	18-1240	Engine Mount	2
66	32146-13	Locknut	1
67	3256-26	Flat Washer	1
**68	3705444	Upper Mount	2
**69	18-0070	Lower Mount	2
**70	18-0060	Spacer	2
**71	18-0080	Lock	2
**72	3816560	Capscrew	2
73	327-10	Capscrew	4
74	3253-8	Lockwasher	2
75	3217-11	Nut	4
**76	3990332	Front Engine Mount	2

**Obtain from your local GM Chevrolet Dealer



ENGINE ASSEMBLY (Continued)

Ref. No.	Part No.	Description	No. Used
77	323-4	Capscrew	19
** 78	3790291	Bracket L.H.	1
79	325-6	Capscrew	4
80	32146-2	Locknut	3
81	18-2000	Pulley, Power Steering Pump	1
82	18-1080	Mount Hyd. Pump	1
** 83	3995646	Pulley Assembly	1
84	281-3	Plug Thermostat Housing	1
** 85	3790292	Bracket R.H.	1
86	3256-25	Flat Washer	2
87	3253-6	Lockwasher	2
88	324-5	Capscrew	2
89	18-1040	Engine Mount R.H.	1
90	18-8430	Pulley, Crankshaft	1
91	18-8420	Pulley Adapter Plate	1
92	3211-5	Capscrew	3
** 93	3883263	Fan Pulley	1
94	32121-11	Spring Pin	2

Ref. No.	Part No.	Description	No. Used
** 95	329671	Pulley (3 Groove)	1
96	3210-10	Capscrew	4
97	18-1470	Fan	1
** 98	3853870	Oil Filter Connector	1
** 99	3927792	Fan Blade Spacer	1
100	2412-34	Hose Clamp	1
101	323-6	Capscrew	1
** 102	1191141	Inlet Cap	1
103	18-2030	V-Belt	1
104	325-9	Capscrew	1
105	18-1570	Hose	1
* 106	PF-25	Oil Filter	1
107	18-1550	Gasket	1
108	18-1610	Pulley, Alternator	1
109	322-6	Capscrew	1
110	18-1520	Fuel Filter (AC5650718)	1
** 111	3888192	Capscrew Assembly	2
112	18-1540	Fuel Pump	1
113	18-2020	V-Belt	1

* Obtain from your local AC Dealer
 ** Obtain from your local GM Chevrolet Dealer

ENGINE ASSEMBLY (Serial No. 333951)

Ref. No.	Part No.	Description	No. Used
1	6259293	Fitted Block (Incl. Ref. 2-18)	1
2	3970194	Main Bearing Cap (Exc. RR)	6
3	3928975	Main Bearing Cap (RR)	1
4	3872781	Bolt, Main Bearing Cap	13
5	3852870	Bearing Cap R.H. #6 Bearing	1
6	3875950	Timing Gear Oil Nozzle	AR
7	3835577	Cylinder Plug, Main Oil Gall FRT	1
8	444782	Cylinder Plug, Main Oil Gall RR	1
9	5575416	Valve Assembly, Oil Filt. By-Pass	AR
10	585927	Dowel Pin, Cylinder Head	AR
11	444577	Drain Hole Plug, Case Water	1
12	838538	Water Jacket Side Plug	3
13	3789860	Water Jacket Plug, RR	1
14	3994255	Plug, Camshaft Bearing, RR	AR
15	3792285	Distributor Gear Thrust Washer	AR
16	3792286	Pilot Bearing, Dist. Shaft	1
17	3750884	Camshaft Bearing	4
18	3712745	Pin, Trans. Line Up	AR
19	3958001	Rear Oil Seal Ass'y., Crankshaft	2
20	3792553	Crankshaft Bearing, Exc. RR (Std.)	AR
21	3792554	Crankshaft Bearing, Exc. RR (.001) u.s.	AR
22	3792555	Crankshaft Bearing, Exc. RR (.002) u.s.	AR
23	3876072	Crankshaft Bearing, Exc. RR (.009) u.s.	AR
24	3792556	Crankshaft Bearing, Exc. RR (.010) u.s.	AR
25	3792557	Crankshaft Bearing, Exc. RR (.020) u.s.	AR
26	3792558	Crankshaft Bearing, RR (Std.)	AR
27	3792559	Crankshaft Bearing, RR (.001) u.s.	AR
28	3792560	Crankshaft Bearing, RR (.002) u.s.	AR
29	3876073	Crankshaft Bearing, RR (.009) u.s.	AR
30	3792561	Crankshaft Bearing, RR (.010) u.s.	AR
31	3792562	Crankshaft Bearing, RR (.020) u.s.	AR
32	333961	Cylinder Head (Incl. Ref. Nos. 34-50)	1
33	6259693	Cylinder Head Ass'y. includes Head, Valve Guides, Valve Seat Inserts (where necessary Rocker Arm Studs) and Expansion Plug	1
34	3989088	Inlet Valve (Std.)	AR
35	3997749	Inlet Valve (.003) o.s.	AR
36	3997750	Inlet Valve (.015) o.s.	AR
37	3997751	Inlet Valve (.030) o.s.	AR
38	3989084	Exhaust Valve (Std.)	AR
39	3995602	Exhaust Valve (.003) o.s.	AR
40	3995603	Exhaust Valve (.015) o.s.	AR
41	3995604	Exhaust Valve (.030) o.s.	AR
42	3735381	Valve Spring & Damper	AR
43	3864895	Valve Spring	AR
44	3729363	Valve Spring Cap	AR
45	3835333	Oil Seal, Valve Stem	AR

Ref. No.	Part No.	Description	No. Used
46	838029	Valve Stem Key	AR
47	3836755	Valve Stem Oil Shield	AR
48	3814692	Rocker Arm Ball Stud (.003) o.s.	AR
49	3815892	Rocker Arm Ball Stud (.013) o.s.	AR
50	3788418	Plug - Water Jacket Hole	3
51	3788417	Cylinder Head Bolt	14
52	3901016	Cylinder Head Gasket	1
53	180120	Front Lifting Bracket Bolt	1
54	120382	Lockwasher, Front Lifting Bracket	2
55	454944	Rear Lifting Bracket Bolt	1
56	120383	Lockwasher, Rear Lifting Bracket	1
57	3876840	Crankshaft Assembly (Incl. Ref. No. 58)	1
58	3752487	Clutch Pilot Bearing	1
59	3896590	Torsional Damper	1
60	106751	Torsional Damper Key	1
61	3988759	Flywheel Assembly (Incl. Ref. Nos. 63 & 64)	1
62	3991469	Flywheel Assembly (Opt.) (Incl. Ref. Nos. 63 & 64)	1
63	3998281	Flywheel Assembly	1
64	3991408	Flywheel Ring Gear	1
65	839756	Flywheel Bolt	6
66	136857	Flywheel Lockwasher	6
67	6270033	Piston w/Pin (Std.)	AR
68	6270034	Piston w/Pin (.001) o.s.	AR
69	6270036	Piston w/Pin (.030) o.s.	AR
70	326400	Ring (Std.)	AR
71	328503	Ring (.030) o.s.	AR
72	3788435	Connecting Rod	6
73	3892670	Connecting Rod Bolt	12
74	3815280	Connecting Rod Nut	12
75	3715040	Connecting Rod Bearing (Std.)	AR
76	3715041	Connecting Rod Bearing (.001) u.s.	AR
77	3715046	Connecting Rod Bearing (.002) u.s.	AR
78	3715048	Connecting Rod Bearing (.010) u.s.	AR
79	3715047	Connecting Rod Bearing (.020) u.s.	AR
80	3988790	Oil Pan Assembly (Incl. Ref. Nos. 81 & 82)	1
81	3923420	Oil Pan Drain Plug	1
82	3921989	Oil Pan Drain Plug Gasket	1
83	3817006	Screw & Lockwasher Ass'y. Oil Pan	18
84	180075	Screw & Lockwasher Ass'y. Oil Pan	4
85	3770309	Screw & Lockwasher Ass'y. Oil Pan	2
86	3923440	Oil Pan Front Seal	1
87	3921973	Oil Pan Rear Seal	1
88	3930962	Oil Pan Gasket L.H. & R.H.	2
89	3852864	Oil Pump & Screen Ass'y. (Incl. Ref. Nos. 90-98)	1
90	3859941	Screen Assembly	1
91	3832449	Oil Pump Assembly	1
92	3788457	Oil Pump Cover	1

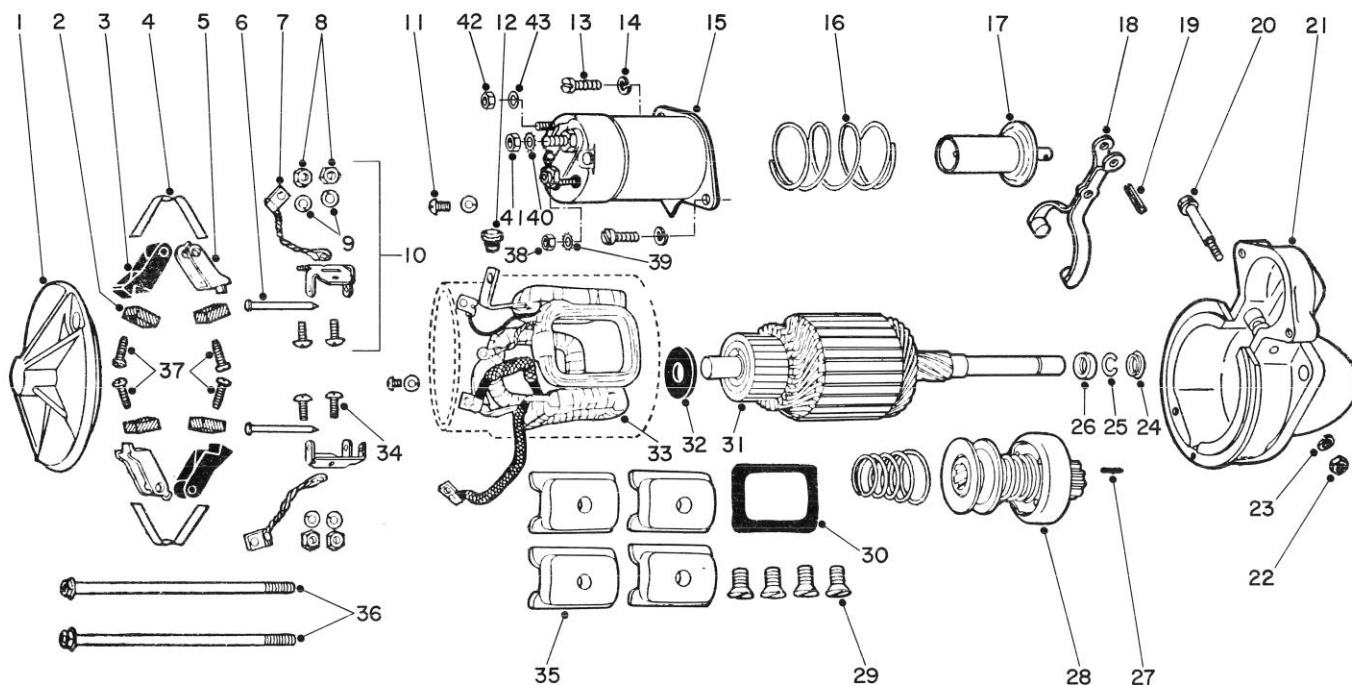
Note: Obtain from your local GM, Chevrolet Dealer.

ENGINE ASSEMBLY (Serial No. 333951) - Continued

Ref. No.	Part No.	Description	No. Used
93	3829433	Regulator Valve, Oil Press.	1
94	3814903	Valve Spring, Press Reg.	1
95	103677	Valve Spring Pin	1
96	133043	Oil Pump Cover Screw	4
97	9421423	Oil Pump Cover Lockwasher	4
98	3930824	Oil Plug, Press. Reg.	1
99	9424877	Oil Pump & Screen Bolt	2
100	9422297	Oil Pump & Screen Nut	1
101	180016	Bolt - Oil Pump & Screen Support	1
102	3980273	Oil Filler Cap	1
103	3943670	Crankcase Vent Hose Connector	1
104	3996616	Crankcase Cover Ass'y. Front (Incl. Ref. No. 105)	1
105	3980267	Front Crankshaft Oil Seal	1
106	3817006	Screw & Lockwasher Ass'y. Front Cover	8
107	3923472	Front End Crankcase Cover Gasket	1
108	6258446	Water Pump	1
109	3788478	Water Pump Gasket	1
110	443899	Water Pump Bolt (Lower L.H.)	1
111	180083	Water Pump Bolt (Upper & Lower R.H.)	2
112	443899	Water Pump Bolt (Upper L.H.)	1
113	3156298	Thermostat	1
114	328585	Thermostat Housing	1
115	3789161	Thermostat Gasket	1
116	454905	Thermostat Housing Bolt	2
117	3789162	Water Outlet	1
118	454905	Water Outlet Bolt	2
119	3701777	Water Outlet Gasket	1
120	3998149	Manifold Inlet	1
121	6270070	Manifold Exhaust	1
122	3798281	Stud - Exhaust Manifold Valve Shaft	2
123	3848282	Bushing - Exhaust Manifold Valve Shaft	2
124	3895015	Spring - Exhaust Manifold Valve Stop	1
125	3881831	Thermostat Valve	1
126	3866766	Nut - Exhaust Manifold to Inlet Manifold	2
127	186678	Bolt - Exhaust to Inlet at Outboard Hole	1
128	120382	Lockwasher - Exhaust to Inlet at Outboard Hole	1
129	3760425	Stud - Exhaust Pipe	1
130	3788485	Gasket - Exhaust Manifold	1
131	329663	Plug - Inlet Manifold Outlet Hole	1
132	3953746	Gasket - Inlet & Exhaust Manifold	1
133	3823035	Manifold Clamp (At End Exhaust Ports)	2
134	3792519	Inlet & Exhaust Manifold Clamps	4
135	427558	Bolt, Inlet & Exhaust Clamp	2
136	180134	Manifold Clamp Bolt, End Ports	2
137	3792369	Inlet & Exhaust Stud	2
138	3866766	Inlet & Exhaust Nut	2

Ref. No.	Part No.	Description	No. Used
139	3835487	Manifold Locating Stud	2
140	3924699	Air Heater Plate Support (Carb)	1
141	3918968	Fuel Pipe Clip (Carb.)	1
142	3882892	Crankshaft Gear	1
143	106751	Crankshaft Gear Key	1
144	3884542	Camshaft & Gear Assembly (Incl. Ref. Nos. 145-147)	1
145	3864497	Camshaft Assembly	1
146	3790531	Camshaft Thrust Bearing	1
147	106751	Camshaft Gear Key	1
148	3817006	Screw & Lockwasher (Camshaft Gear)	2
149	5232450	Hyd. Valve Lifter	12
150	3788495	Push Rod	12
151	3788496	Push Rod Cover	2
152	3920938	Push Rod Cover Gasket	2
153	3814350	Bolt & Seal Assembly Push Rod Cover	6
154	3788498	Valve Rocker Arm	12
155	3992294	Valve Rocker Arm Ball	12
156	3744341	Adjustment Nut (Rocker Arm)	12
157	6259798	Valve Rocker Cover	1
158	3877670	Valve Rocker Cover Reinforcement	6
159	180016	Valve Rocker Cover Bolt	6
160	3877670	Valve Rocker Cover Reinforcement (No. 2 R.H. Hole)	1
161	6270052	Stud - Valve Rocker Cover (No. 2 R.H. Hole)	1
162	3930912	Valve Rocker Cover Gasket	1
163	6256636	Ignition Timer Dist. Gasket	1
164	3998172	Ignition Timer Dist. Clamp	1
165	186678	Ignition Timer Dist. Clamp Bolt	1
166	3931078	Spark Control Pipe Clip	1
167	3925507	Clutch Housing Assembly	1
168	180124	Clutch Housing Bolt	4
169	180132	Bolt - Clutch Housing	2
170	3734908	Underpan Ext. (Clutch Hsg.)	1
171	3817006	Screw & Lockwasher, Underpan	2
172	3714477	Clutch Housing Underpan	1
173	3817006	Screw & Lockwasher Assembly Clutch Housing Underpan	3
174	3862220	Clutch Driven Plate Assembly	1
175	3959502	Cover & Plate Assembly Clutch Pressure (Incl. Ref. Nos. 175-181)	1
176	3962052	Cover & Plate Assembly	1
177	3860361	Cover Assembly	1
178	3962058	Bolt - Clutch Cover	3
179	187119	Washer - Clutch Cover Bolt	3
180	3962057	Plate - Clutch Pressure	1
181	3788605	Spring - Pressure Plate Retainer	3
182	838653	Bolt - Clutch Cover & Pressure Plate	6
183	120382	Lockwasher - Clutch Cover & Pressure Plate	6
184	3765372	Fork Assembly - Clutch	1
185	8389887	Spring - Clutch Fork Ball Retainer	1
186	3725240	Stud - Clutch Fork Ball	1
187	3765360	Boot - Clutch Fork	1

Note: Obtain from your local GM, Chevrolet Dealer.



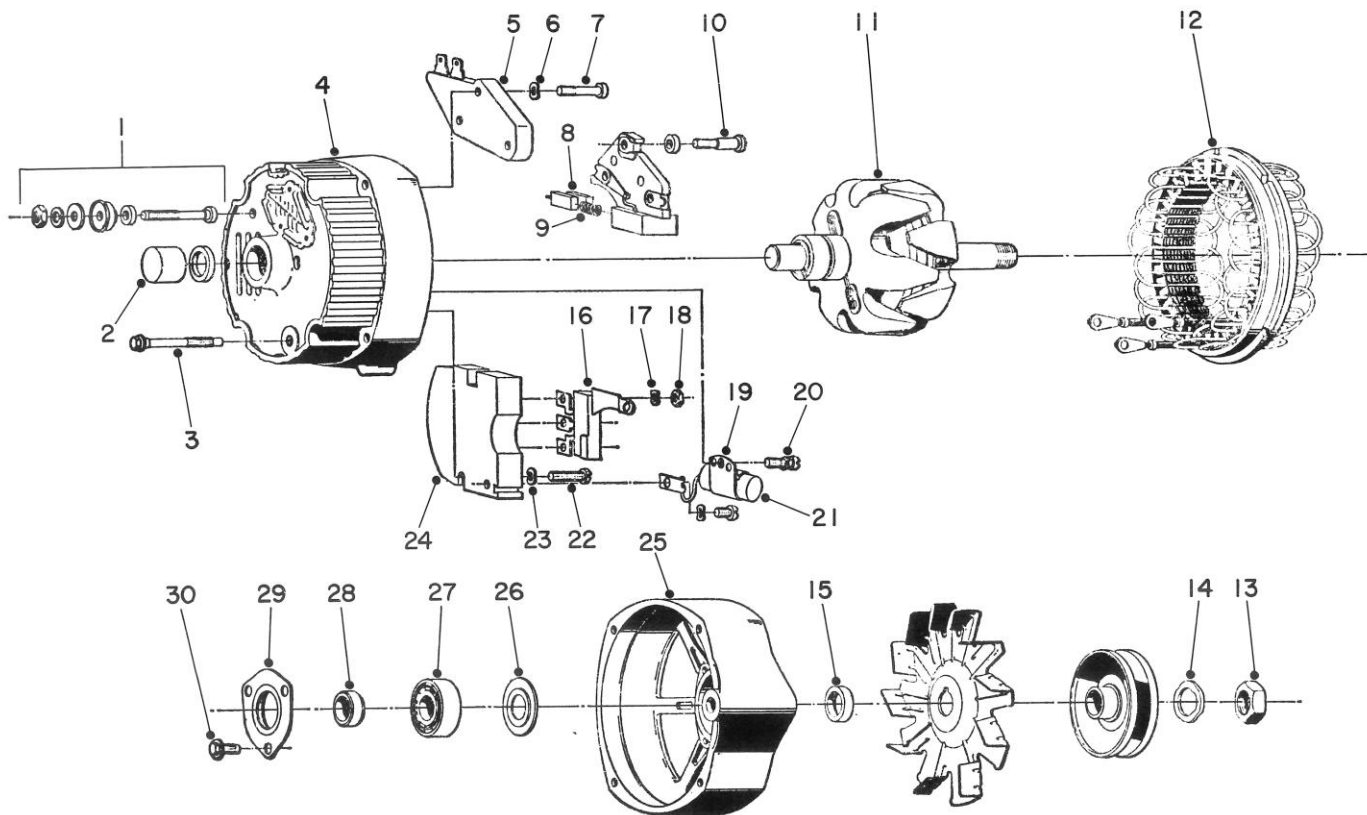
STARTER MOTOR ASSEMBLY

Ref. No.	Part No.	Description	No. Used
1	1928966	Frame	1
2	1906945	Brushes	4
3	1926618	Holder (Insulation)	2
4	1926622	Springs	2
5	1940477	Holder (Ground)	2
6	1966923	Brush Holder Pin	2
7	1926605	Lead (Ground)	2
8	120361	Brush Holder Nuts	4
9	453435	Lockwasher	4
10	1928015	Support Package	2
11	9427815	Screw	1
12	1966391	Grommet	1
13	132255	Screw	2
14	9421423	Lockwasher	2
15	1114356	Switch	1
16	1958679	Spring, Plunger	1
17	1941113	Plunger	1
18	1951567	Shift Lever	1
19	455106	Lever Pin	1
20	1932197	Lever Stud	1
21	1970297	Drive Housing	1
		(Incl. Bushing No. 1932190)	1
22	1926640	Nut	1

Ref. No.	Part No.	Description	No. Used
23	9421424	Lockwasher	1
24	1927850	Thrust Collar	1
25	1927848	Retainer Ring	1
26	1927849	Collar Stop	1
27	809593	Dowel Pin	1
28	1954842	Drive Assembly	1
29	1970469	Screw	4
30	1927853	Insulator	4
31	1971568	Armature	1
32	818265	Leather Washer	1
33	1967968	Field Coil Assembly	1
34	174738	Screw	4
35	1931129	Pole Shoe	4
36	1939970	Bolt	2
37	443527	Screw	4
*38	3217-25	Nut	1
*39	3255-20	Washer Shakeproof	1
*40	3255-9	Washer Shakeproof	1
*41	3218-3	Jam Nut	1
*42	3219-14	Nut	1
*43	3255-17	Lockwasher	1
*	18-1450	Starter Motor Complete (Delco-Remy No. 1108368)	1

* Obtain part from Toro Distributor

16 Obtain other parts from local GM, Chevrolet Dealer, or Delco-Remy Dealer.

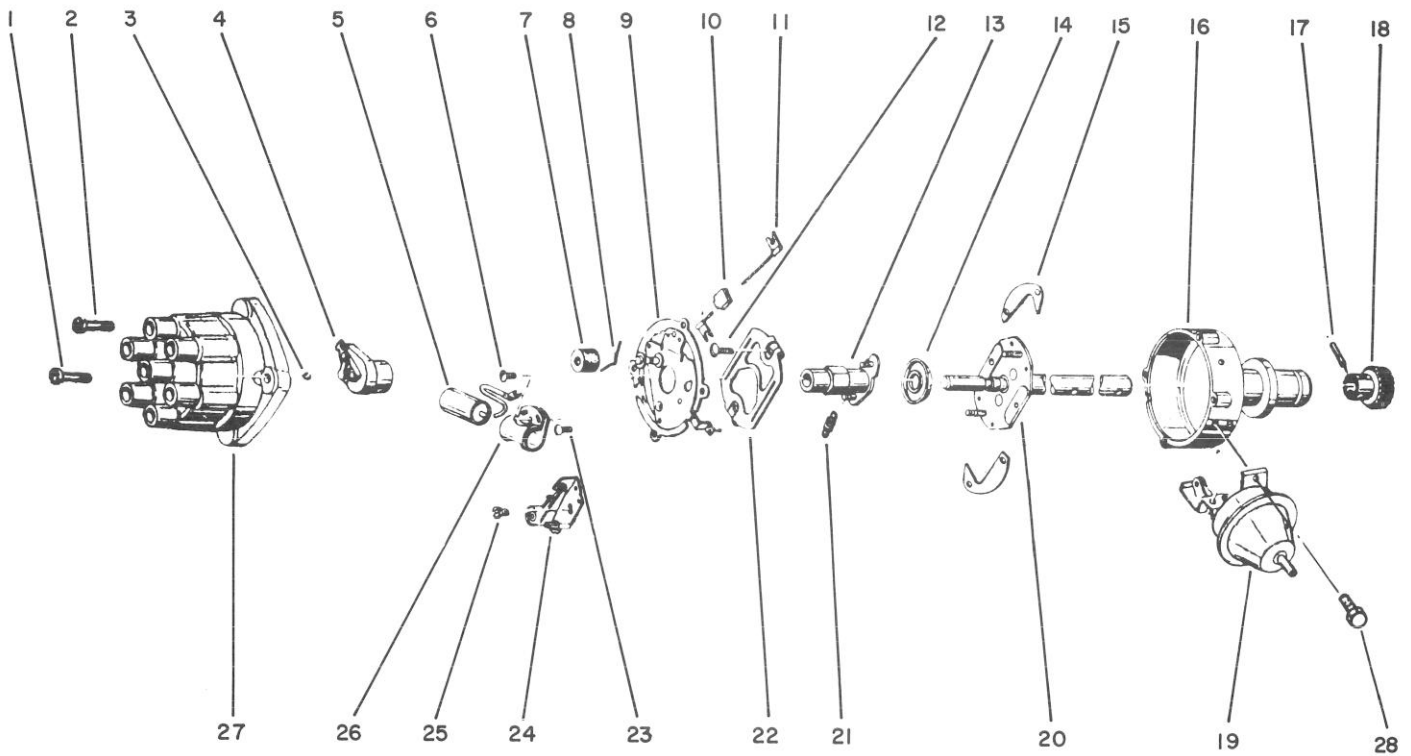


ALTERNATOR ASSEMBLY

Ref. No.	Part No.	Description	No. Used
1	1846900	Terminal Package	1
2	7451931	Bearing	1
3	1956975	Bolt	4
4	1846523	Frame	1
5	1116387	Regulator	1
6	1847933	Lockwasher	3
7	1971519	Screw	3
8	1852002	Brush and Holder	1
9	1964117	Spring	1
10	1846864	Screw	3
11	1971990	Rotor	1
12	1971986	Stator	1
13	1915172	Nut	1
14	1941978	Lockwasher	1
15	1959991	Collar Outside	1
16	1971528	Diode	1

Ref. No.	Part No.	Description	No. Used
17	1847933	Lockwasher	3
18	453434	Nut	3
19	1869573	Bracket	1
20	1851612	Screw and Lockwasher	1
21	801824	Capacitor	1
22	1970145	Screw	1
23	1847933	Lockwasher	1
24	1852209	Rectifier	1
25	1970525	Frame	1
26	800832	Slinger	1
27	908019	Bearing	1
28	1963139	Collar (Inside)	1
29	1971993	Bearing Retainer	1
30	1965104	Screw	3
*	18-1590	Alternator Complete	1

*Obtain from local Toro Distributor
Obtain all other parts from your local GM, Chevrolet Dealer, or Delco-Remy Dealer.

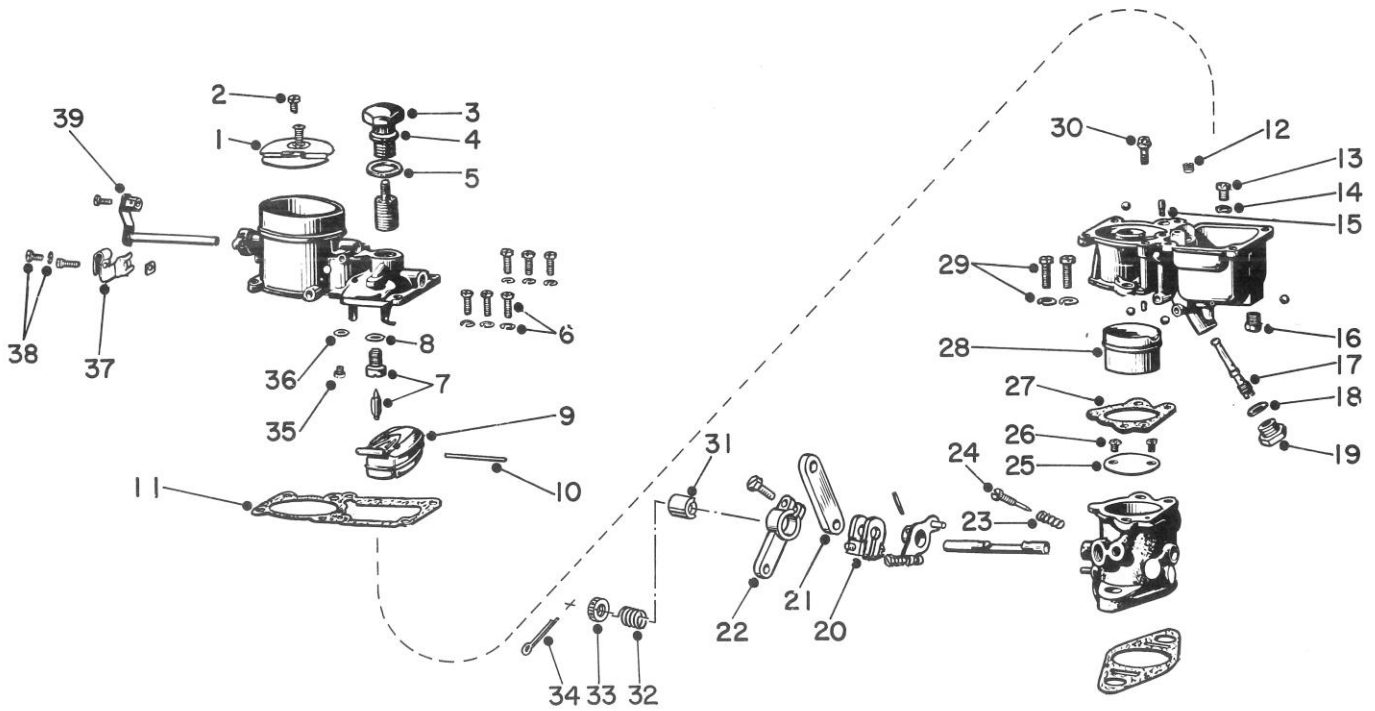


DISTRIBUTOR ASSEMBLY

Ref. No.	Part No.	Description	No. Used
1	1954573	Screw	1
2	1954571	Screw	1
3	1938193	Button	1
4	800055	Rotor	1
5	1928111	Condenser	1
6	454458	Screw	1
7	1852935	Lubricator Wick	1
8	1956213	Spring	1
9	1961428	Breaker, Plate & Support	1
10	1954564	Grommet	1
11	1954563	Primary Lead	1
12	453647	Screw	2
13	1966901	Cam	1
14	1950569	Housing Seal	1
15	1881371	Weight	2

Ref. No.	Part No.	Description	No. Used
16	1851259	Housing (Incl. Ref. No. 14)	1
17	454512	Pin	1
18	1962052	Gear	1
19	1973428	Vacuum Control	1
20	1851032	Shaft	1
21	1912886	Spring	2
22	1954548	Hold Down Plate	1
23	453461	Screw	2
24	1954557	Contact Assembly	1
25	1914916	Screw	1
26	1944118	Capacitor Bracket	1
27	1971324	Cap (Incl. Ref. No. 1, 2 & 3)	1
28	1917123	Screw	2
	1110499	Distributor Ass'y. Complete	1

*Obtain all parts from your local GM, Chevrolet Dealer, or Delco-Remy Dealer.

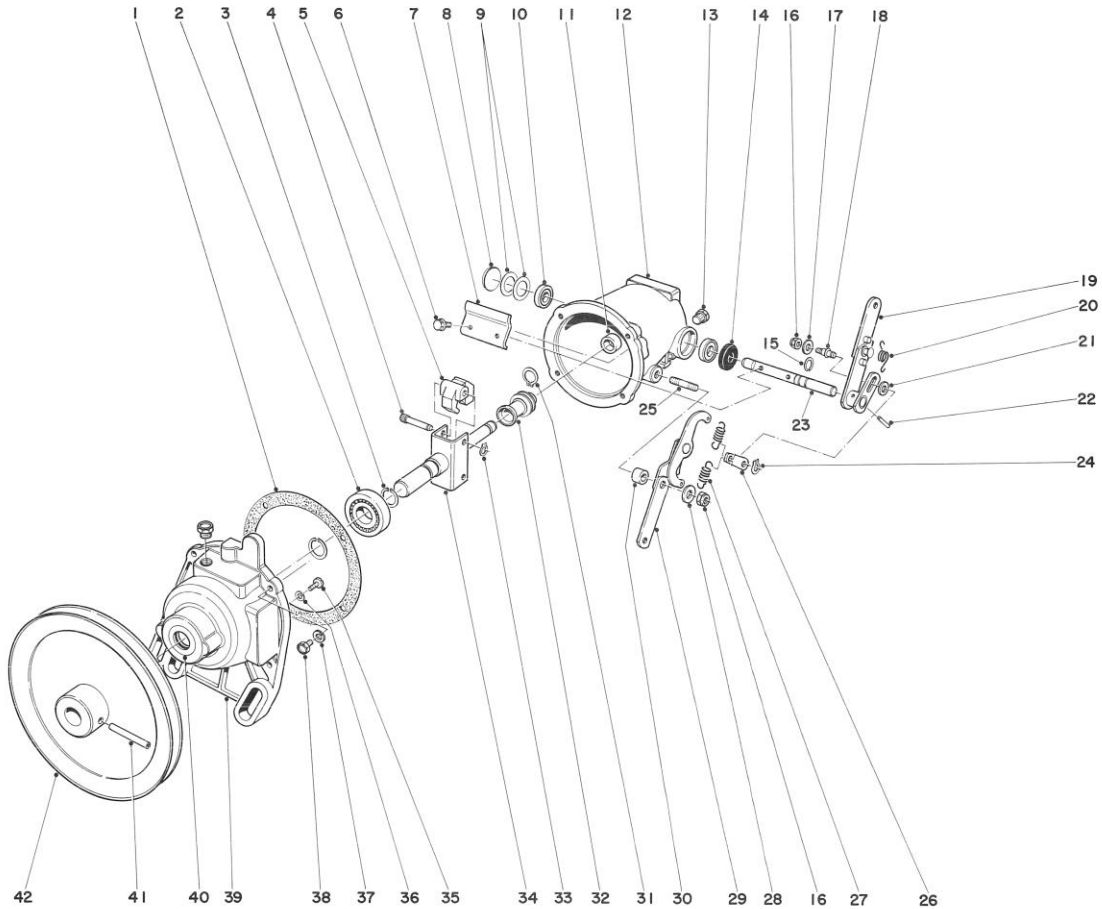


CARBURETOR ASSEMBLY

Ref. No.	Part No.	Description	No. Used
1	18-4770	Plate Assembly	1
		Plate	1
		Air Shutter	1
		Valve Stem	1
		Spring	1
		Spring Return	1
2	18-4780	Screw #6-32	1
3	18-4790	Filter Head Assembly	1
		Stud & Bottom Washer Assembly	1
		Element Stud	1
		Bottom Washer	1
		Element Disc	150
		Head Washer	1
4	18-4800	Filter Head	1
5	18-4810	Washer	1
6	18-4870	Screw & Lockwasher	6
7	18-5100	Fuel Valve & Seat Assembly	1
		Fuel Valve	1
		Fuel Valve Seat	1
8	18-4900	Washer	1
9	18-4840	Float Assembly	1
10	18-4850	Float Axle	1
11	18-4860	Intake Gasket	1
12	18-5230	Plug - Power Jet Valve	1
13	18-5060	Main Jet	1
14	18-5070	Washer	1
15	18-5090	Well Vent	1
16	18-4880	Pipe Plug	1
17	18-5220	Discharge Jet	1
18	18-4900	Fibre Washer	1
19	18-4890	Lower Plug	1
20	18-4970	Floating Lever Stop Assembly	1
		Floating Lever Stop	1
		Screw #10-32	1
		Washer	1
		Nut #10-32	1
21	18-4980	Floating Lever	1
22	18-4930	Clamp Lever Assembly	1
		Clamp Lever	1
		Screw #10-32	1
23	18-5040	Spring	1
24	18-5030	Idle Adjustment Needle	1
25	18-4940	Plate	1
26	18-4950	Retaining Screw	2
27	18-4910	Bowl Gasket	1
28	18-5050	Venturi	1
29	18-4920	Screw & Lockwasher	2

Ref. No.	Part No.	Description	No. Used		
30	18-5080	Idle Jet	1		
31	18-4990	Driver Bushing	1		
32	18-5000	Return Spring	1		
33	18-5010	Spring Retainer	1		
34	18-5020	Cotter Pin	1		
35	18-4820	Plug - 1/4-24 (Vac Piston)	1		
36	18-4830	Washer	1		
37	18-4750	Bracket Assembly	1		
		Bracket	1		
		Screw #6-32	1		
		Nut #6-32	1		
38	18-4760	Screw & Lockwasher #8-36	1		
		Shaft & Lever Assembly	1		
39	18-4740	Shaft	1		
		Lever & Swivel Assembly	1		
		Lever	1		
		Swivel	1		
		Screw #8-36	1		
		Carburetor (Complete)	1		
*	18-5110	Throttle Shaft & Lever Assembly	A/R		
		Shaft	1		
		Shaft Pin	1		
		Stop Lever Assembly	1		
		Stop Lever	1		
		Lever Bushing	1		
		Screw #8-36	1		
		Retaining Pin	1		
		*	18-5120	Gasket Set	A/R
				Washer	1
Washer	1				
Intake Gasket	1				
Fibre Washer	2				
Bowl Gasket	1				
*	18-5130	Carburetor Kit	A/R		
		Screw #6-32	1		
		Washer	1		
		Washer	1		
		Float Axle	1		
		Intake Gasket	1		
		Fibre Washer	1		
		Bowl Gasket	1		
		Retaining Screw	2		
		Idle Adjustment Needle	1		
		Washer	1		
		Well Vent	1		

*Not Illustrated

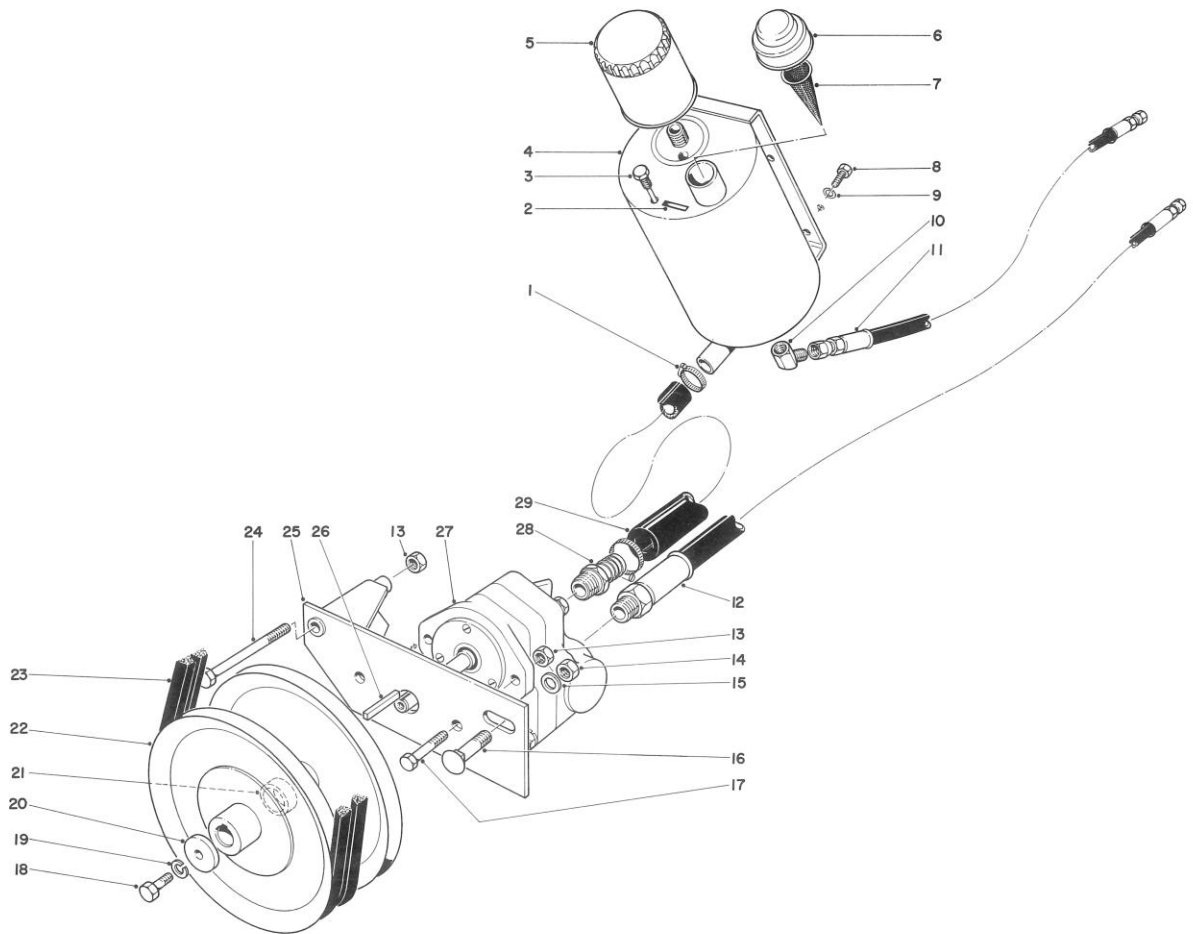


GOVERNOR ASSEMBLY

Ref. No.	Part No.	Description	No. Used
1	18-5790	Gasket	1
2	18-5570	Front Main Bearing	1
3	18-5640	Bearing Retainer	2
4	18-5660	Pivot Pin	2
5	18-5650	Flyweight	2
6	18-5530	Screw	2
7	18-5520	Rocker Lever	1
8	18-5430	Expansion Plug	1
9	18-5440	Spacer	2
10	18-5450	Bearing	2
11	18-5500	Main Bearing (Rear)	1
12	18-5490	Body	1
13	18-5510	Oil Plug	2
14	18-5480	Oil Seal	1
15	18-5470	Bearing Retainer	2
16	18-5760	Nut	2
17	18-5740	Washer	1
18	18-5730	Adjusting Pin	1
19	18-5420	Throttle Lever	1
20	18-5410	Torsion Spring	1
21	18-5720	Spacer	1
22	18-5750	Pin	1

Ref. No.	Part No.	Description	No. Used
23	18-5460	Rocker Shaft	1
24	18-5710	Retainer	1
25	18-5700	Stud	1
26	18-5400	Link	1
27	18-5390	Governor Spring	2
28	18-5680	Washer	1
29	18-5380	Variable Speed Lever	1
30	18-5690	Bushing	1
31	18-5540	Retainer	1
32	18-5550	Thrust, Sleeve & Bearing Ass'y.	1
33	18-5670	Retainer	1
34	18-5560	Main Shaft & Carrier Ass'y.	1
35	18-5780	Screw	2
36	18-5770	Lockwasher	2
37	18-5630	Lockwasher	4
38	18-5620	Screw	4
39	18-5590	Cover	1
40	18-5580	Oil Seal	1
41	18-5600	Pin	1
42	18-5610	Pulley	1
*	18-1700	Governor Assembly Complete	1

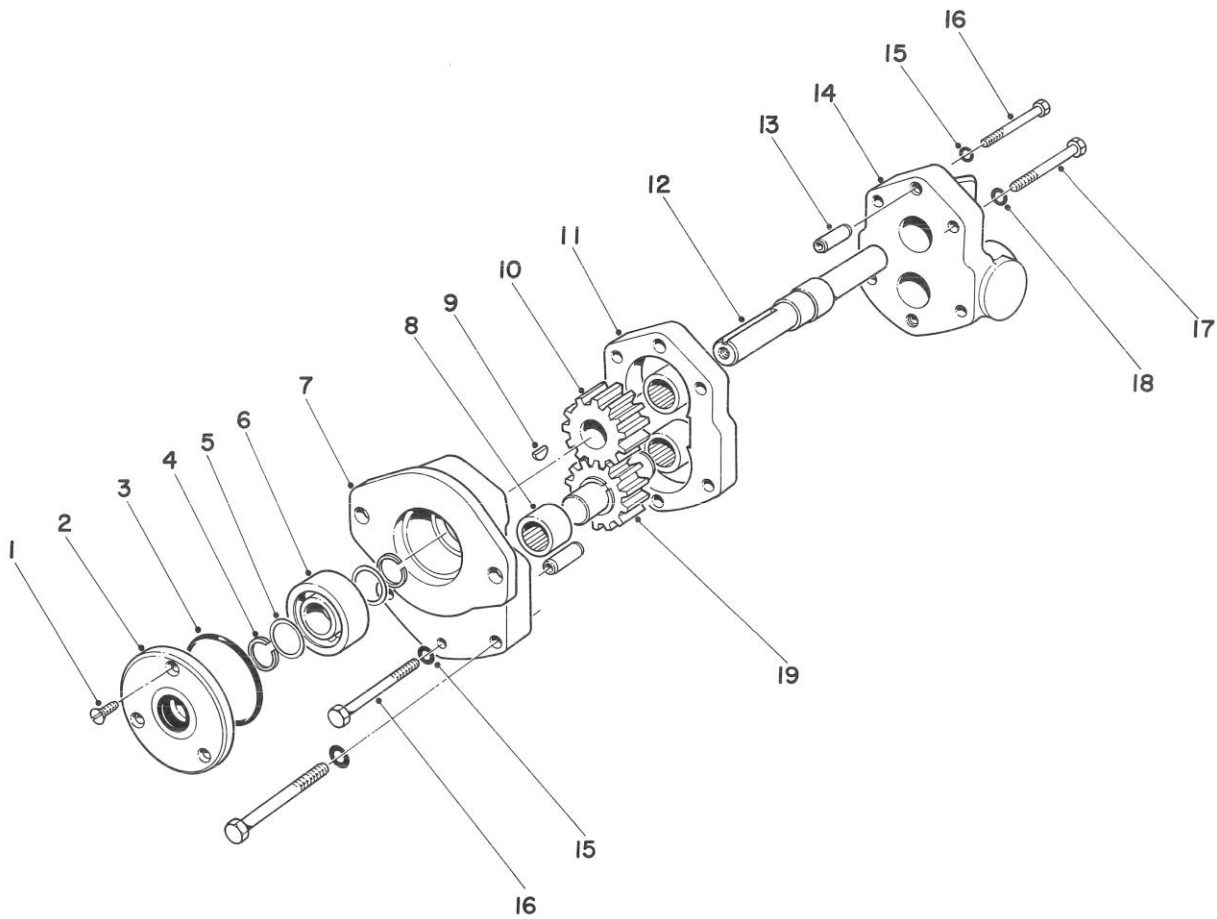
*Not Illustrated



HYDRAULIC PUMP AND RESERVOIR

Ref. No.	Part No.	Description	No. Used
1	2412-3	Hose Clamp	2
2	3-1553	Decal	1
3	18-2980	Dipstick	1
4	18-2250	Hydraulic Reservoir	1
5	18-4360	Oil Filter (AC #PF-28)	1
6	353-119	Filler Cap	1
7	3-2197	Filler Screen	1
8	32104-6	Self-Tapping Screw	4
9	3253-21	Lockwasher	4
10	353-434	Fitting	1
11	18-3250	Return Hose (77" Lg.)	1
12	18-3240	Pressure Hose (102" Lg.)	1
13	32146-2	Locknut	2
14	32146-13	Locknut	1
15	3256-26	Flatwasher	1

Ref. No.	Part No.	Description	No. Used
16	3233-1	Carriage Bolt	1
17	323-8	Capscrew	2
18	3210-4	Capscrew	1
19	3253-4	Lockwasher	1
20	3-8158	Spacer	1
21	18-8550	Spacer	1
22	18-1990	Pulley	2
23	18-8450	V-Belt (Matched Set)	1
24	323-16	Capscrew	1
25	18-2550	Pump Mount	1
26	6-8590	Square Key	1
27	18-8440	Hydraulic Pump	1
28	3-7195	Coupling	1
29	18-2350	Suction Hose	1

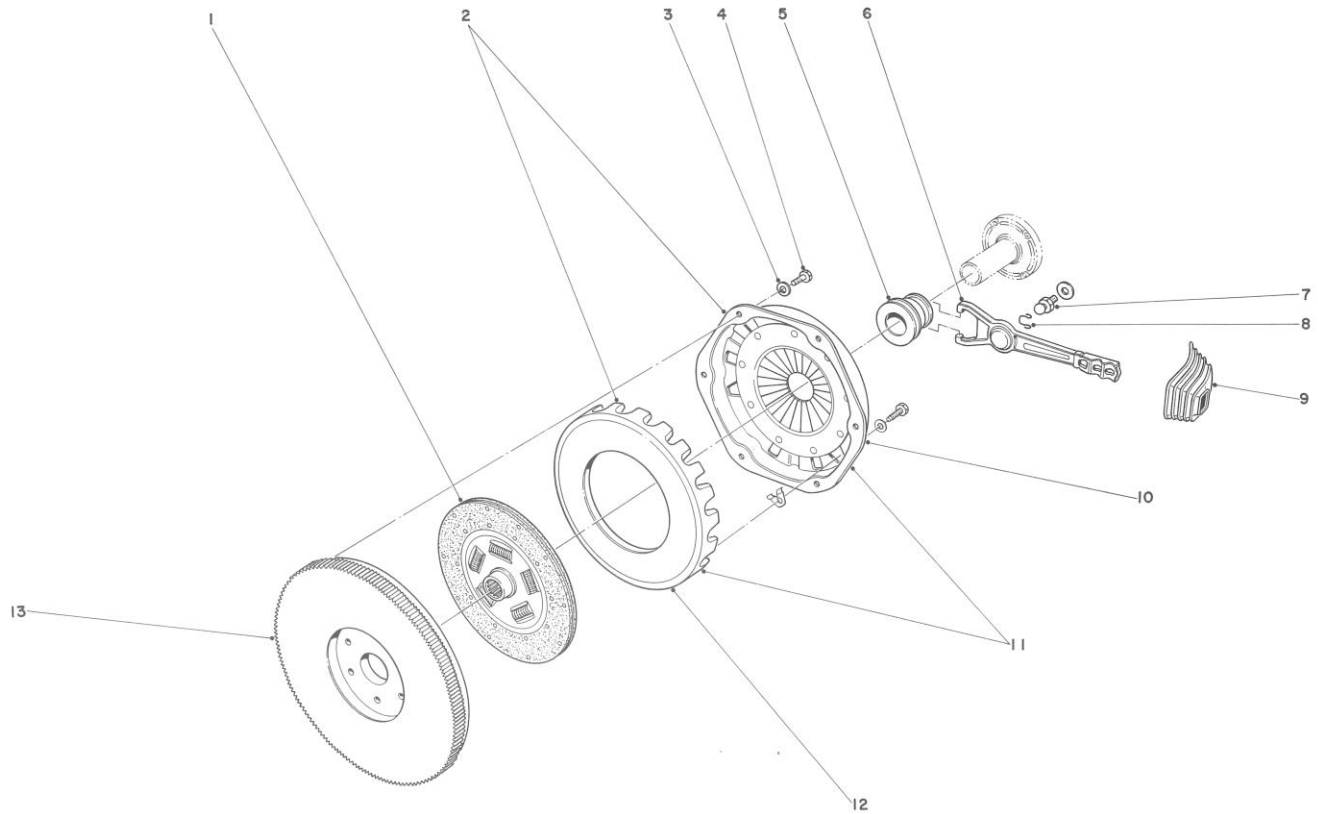


HYDRAULIC PUMP

Ref. No.	Part No.	Description	No. Used
1	18-8460	Screw	3
2	18-8500	Pilot Plate	1
3	18-8510	"O" Ring	1
4	353-177	Retaining Ring	2
5	353-178	Washer	2
6	353-179	Ball Bearing	1
7	353-181	Body (Incl. Ref. No. 8)	1
8	353-168	Needle Bearing	3
9	3257-26	Woodruff Key	1
10	353-175	Drive Gear	1

Ref. No.	Part No.	Description	No. Used
11	353-170	Gear Plate	1
12	18-8490	Drive Shaft	1
13	353-169	Dowel Pin	2
14	353-167	Pump Cover (Incl. Ref. No. 8)	1
15	3253-3	Lockwasher	2
16	353-165	Capscrew	2
17	322-10	Capscrew	6
18	3253-4	Lockwasher	6
19	353-180	Idler Gear	1
*	18-8440	Hydraulic Pump Complete	1

*Not Illustrated



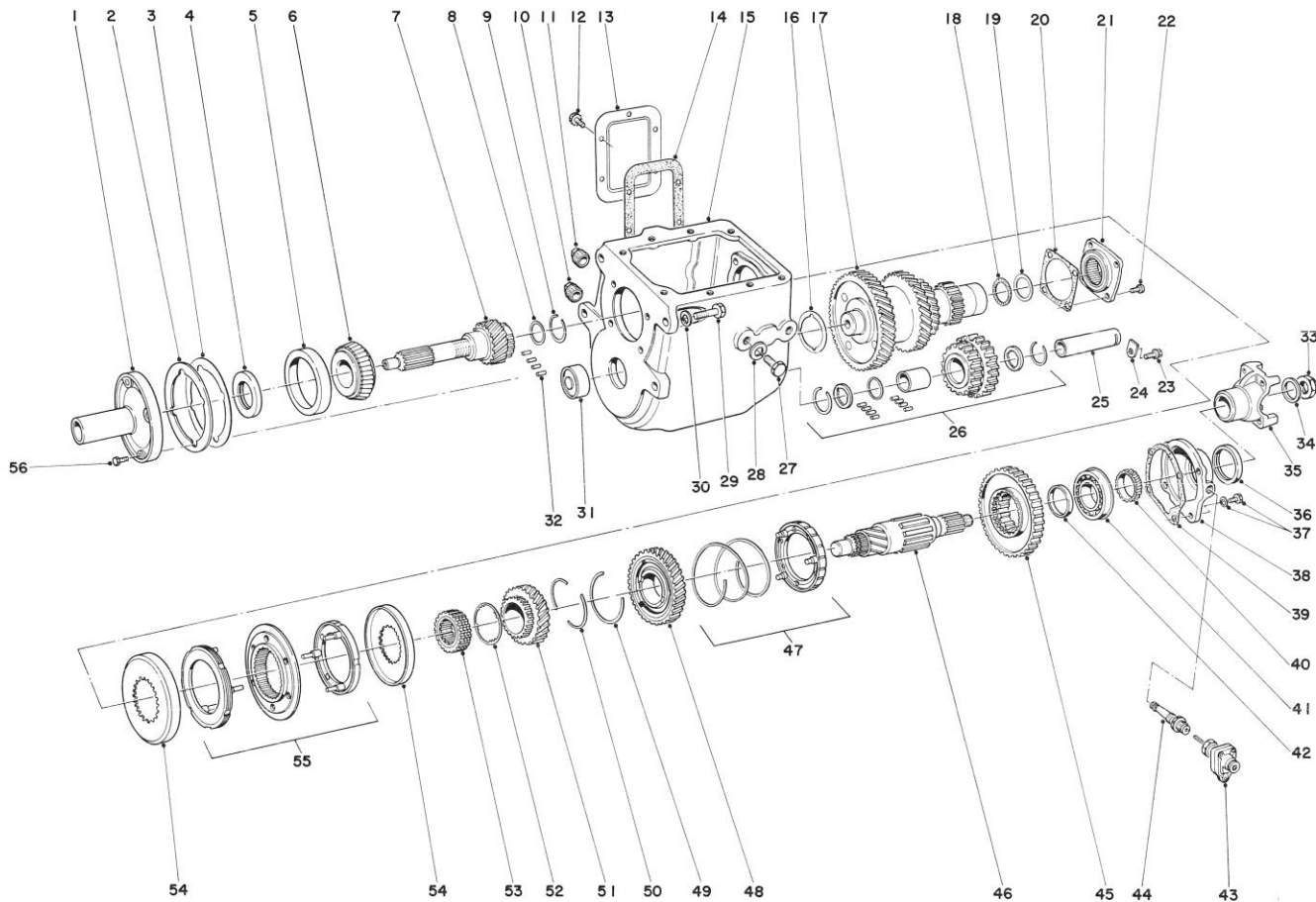
CLUTCH ASSEMBLY

Ref. No.	Part No.	Description	No. Used
1	3862220	Clutch Plate	1
2	3959502	Cover & Plate Assembly (Incl. Ref. Nos. 10-16)	1
3	120382	Lockwasher	6
4	838653	Screw	6
5*	18-1740	Clutch Release Bearing	1
6	19-3620	Fork Assembly (Incl. Ref. No. 8)	1
7	19-3650	Stud	1
8	19-3640	Ball Retainer Spring	1

Ref. No.	Part No.	Description	No. Used
9	19-3660	Boot	1
10	3860361	Cover Assembly	1
11	3962052	Cover & Plate	1
12	3962057	Clutch Pressure Plate	1
13	3988759	Flywheel Assembly	1
**14	3962058	Clutch Cover Bolt	3
**15	187119	Clutch Cover Washer	3
**16	3788605	Pressure Plate Return Spring	3

*Obtain from Toro Distributor. All other parts obtain from GM Chevrolet Dealer.

**Not Illustrated



*C-95948
H35CK NEW PROCESS GEAR DIV.*

TRANSMISSION ASSEMBLY

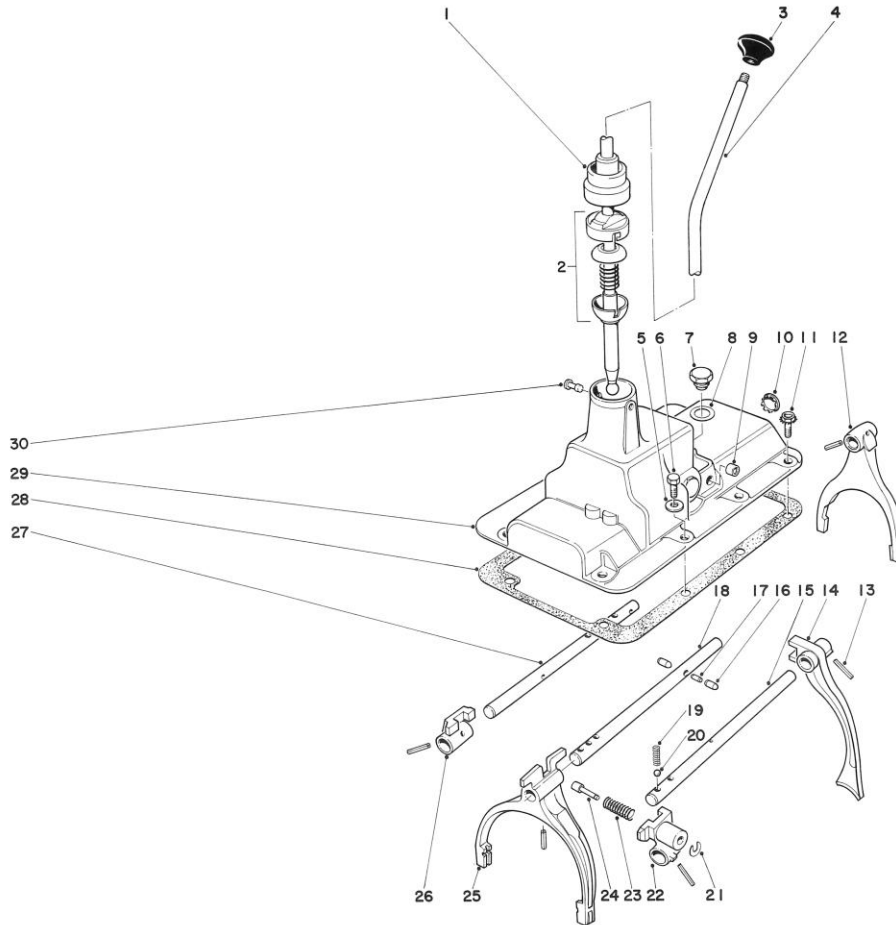
Ref. No.	Part No.	Description	No. Used
1	3934251	Bearing Retainer	1
2	647068	Shim (.007 Thick)	A/R
**	647069	Shim (.010 Thick)	A/R
**	647070	Shim (.020 Thick)	A/R
3	3934250	Gasket	2
4	3785207	Oil Seal	1
5	7451208	Bearing Cup	1
6	7451207	Bearing Cone	1
7	2463173	Main Drive Gear	1
8	2462241	Washer	1
9	2462242	Snap Ring	1
10	3787240	Magnetic Drain Plug	1
11	444592	Filler Plug	2
12	423351	Screw & Lockwasher Ass't.	6
13	301436	PTO Cover	1
14	301457	Gasket	1
15	2463171	Transmission Case	1
16	2462215	Thrust Washer	1
17	2462214	Cluster Gear	1
18	2462216	Bearing Race	1
19	9415534	Rear Bearing	1
20	2462217	Gasket	1
21	2462253	Rear Gear Rtnr. (Incl. Ndle Brg.)	1
22	18-3830	Screw	4
23	423351	Screw & Lockwasher Ass'y.	1
24	2462219	Lock Plate	1
25	2462218	Idler Gear Shaft	1
26	672766	Reverse Idler Gear Ass'y.	1
27	179898	Plug	2
28	103324	Lockwasher	2

Ref. No.	Part No.	Description	No. Used
29*	325-6	Capscrew	4
30*	3253-7	Lockwasher	4
31	9428720	Front Bearing	1
32	457067	Roller Bearing	14
33	2238966	Nut	1
34	2492330	Washer	1
35	2495291	Yoke	1
36	2434156	Oil Seal	1
37*	18-3870	Screw & Lockwasher Ass'y.	4
38	2358775	Bearing Retainer	1
39	3727149	Gasket	1
40*	18-3670	Speedometer Gear	1
41	457178	Bearing Assembly	1
42	2462251	Spacer	1
43*	18-1850	Speedometer Drive Joint	1
44*	18-3160	Speedometer Drive Gear	1
45	3900992	Low Speed Gear	1
46	2463175	Main Shaft	1
47	2462243	Ring and Pin Assembly	1
48	2462249	2nd Speed Gear	1
49	2462246	Snap Ring	1
50	3727142	Split Ring	1
51	2462250	3rd Speed Gear	1
52	9423953	Thrust Bearing	1
53	2489860	Clutch Gear	1
54*	18-3460	Outer Stop Ring	1
55*	18-3470	Synchromesh Assembly	1
56	2367357	Screw	4
*	18-1840	Transmission Complete	1

*Order from Toro.

** Not Illustrated

24 All other parts obtain from your local GM, Chevrolet Dealer.



SHIFT LEVER AND FORK ASSEMBLY

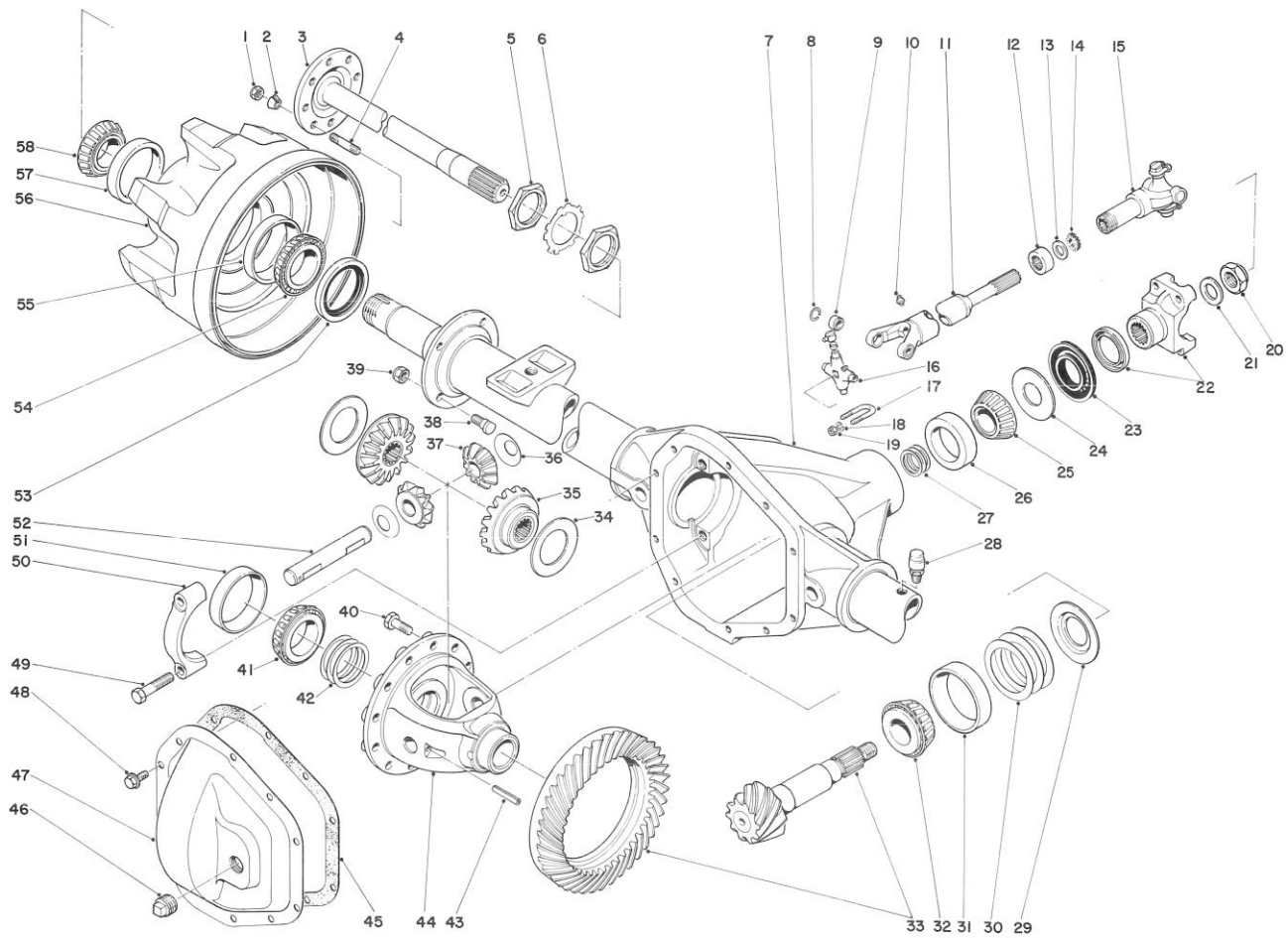
Ref. No.	Part No.	Description	No. Used
1	18-1910	Boot Shift Lever	1
2*	18-1800	Shift Lever Mounting Kit	1
3*	233-10	Gearshift Knob	1
4*	18-1860	Gearshift Lever	1
5	6023050	Washer	2
6	3727166	Screw	2
7	3906448	Plug	2
8	3906462	Gasket	2
9	9421743	Plug	1
10	142656	Plug	3
11*	323-5	Screw & Lockwasher Assembly	6
12	6023050	Fork, 2nd & Low Shift (Incl. Bushing)	1
13	2462226	Lock Pin	5
14	2462224	Fork, Reverse Shift	1
15	3912387	Reverse Shift Rail	1
16	2462228	Plunger	2

Ref. No.	Part No.	Description	No. Used
17	2462229	Pin	1
18	3979463	Shift Rail, 3rd and Direct	1
19	2462227	Spring	3
20	147500	Poppet Ball	3
21	3727182	Washer	1
22	2462253	Reverse Shift Lug	1
23	2344765	Spring	1
24	2462260	Plunger	1
25	2462261	Fork, 3rd and Direct (Incl. Bushing)	1
26	2462225	Lug, 2nd and Low	1
27	2462220	Shift Rail, Low and 2nd	1
28	2462210	Gasket	1
29	3979462	Case Cover	1
30	3921024	Trunnion	2
**	2462206	Lug and Plunger Assembly (Incl. Ref. No. 21,22,23,24)	1

*Order from Toro.

All other parts obtain from your local GM, Chevrolet Dealer.

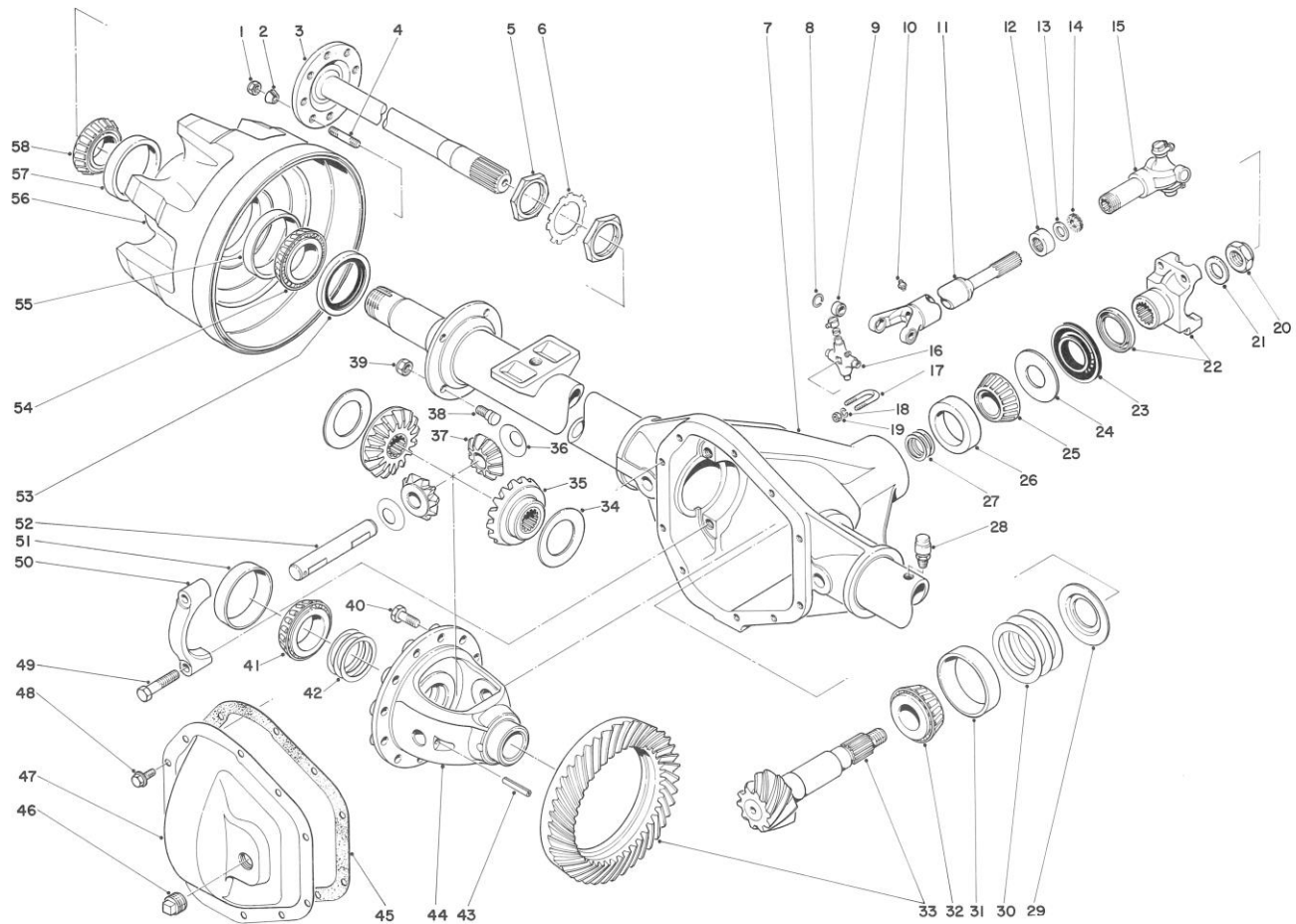
**Not Illustrated



REAR AXLE AND DRIVE LINE (USED ON UNITS WITH SERIAL NO. 30400 & UP)

Ref. No.	Part No.	Description	No. Used
1	3296-7	Lock Nut	16
2	19-6810	Stud Adapter	16
3	19-6710	Shaft Axle	2
4	19-6010	Stud	16
5	19-6820	Nut - Spindle	4
6	19-6840	Lock - Spindle Nut	2
7		Case Assembly - Differential	1
8	18-4650	Retaining Ring	8
9		Bearing Assembly	8
10	18-4690	Grease Fitting	1
11	19-4100	Shaft Assembly	1
12	18-4730	Retainer Cap	1
13	18-4710	Washer	1
14	18-4700	Felt Dust Seal	1
15	18-4680	Slip Yoke	1
16		Cross Journal	2
17	214-229	U-Bolt	4
18	3253-21	Lockwasher	8
19	32146-12	Nut	8
20	18-9360	Nut Pinion	1
21	18-9370	Washer Pinion Nut	1
22	19-6700	End Yoke Assembly	1
23	18-9390	Seal - Pinion	1
24	18-9400	Slinger - Pinion Bearing	1
25	18-9410	Bearing Cone	1

Ref. No.	Part No.	Description	No. Used
26	18-9420	Bearing Cup	1
27	18-9430	Shim Pinion Bearing .003	A/R
	18-9440	Shim Pinion Bearing .005	A/R
	18-9450	Shim Pinion Bearing .010	A/R
	18-9460	Shim Pinion Bearing .030	A/R
28	19-6780	Breather	1
29	19-6690	Baffle - Pinion Bearing	1
30	18-9310	Shim Adjusting .003	A/R
	18-9320	Shim Adjusting .005	A/R
	18-9330	Shim Adjusting .010	A/R
31	18-9300	Bearing Cup Inner	1
32	18-9290	Bearing Cone Inner	1
33		Gear Drive & Pinion Set	1
34	19-6640	Thrust Washer	1
35	19-6600	Gear Differential	2
36	19-6650	Thrust Washer	2
37	19-6610	Pinion Gear	2
38	19-6830	Brake Flange Bolt	8
39	3296-19	Lock Nut	8
40	18-9340	Bolt - Drive Gear	12
41	18-9220	Bearing Cone	1
42	18-9230	Shim - Bearing .003	A/R
	18-9240	Shim - Bearing .005	A/R
	18-9250	Shim - Bearing .010	A/R
	18-9260	Shim - Bearing .030	A/R



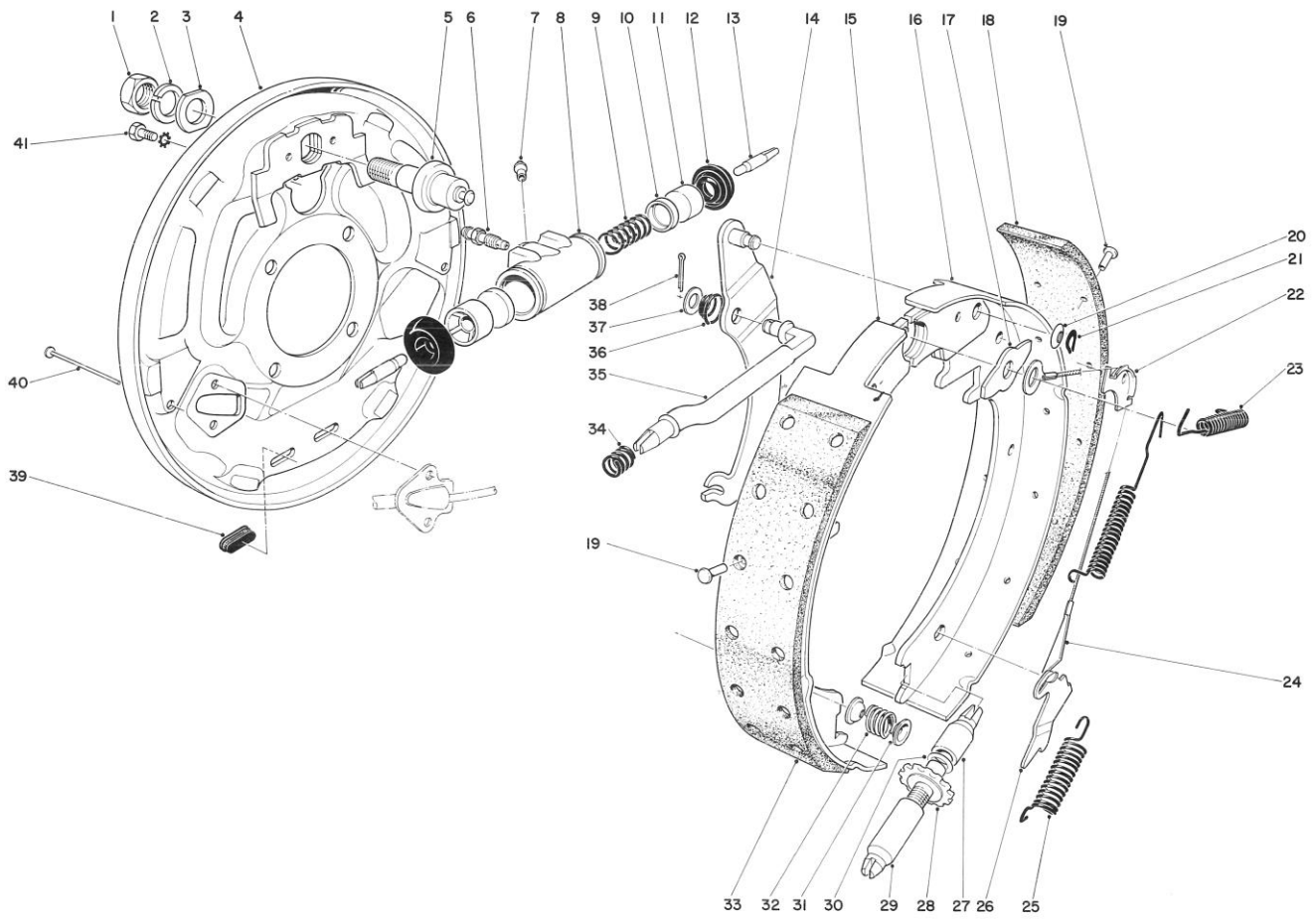
REAR AXLE AND DRIVE LINE (Continued)

(USED ON UNITS WITH SERIAL NO. 30400 & UP)

Ref. No.	Part No.	Description	No. Used
43	19-6630	Lock - Differential	1
44	19-6590	Case - Differential	1
45	18-9190	Gasket - Carrier Cover	1
46	19-7090	Pipe Plug	1
47	19-7080	Gear Carrier Cover	1
48	18-9200	Bolt Carrier Cover	10
49	325-9	Bolt - Bearing Cup	4
50	18-9150	Cap Differential Bearing	2
51	18-9210	Bearing Cup	2
52	19-6620	Shaft Differential	1
53	253-128	Oil Seal	2
54	254-98	Bearing Cone	2
55	254-100	Bearing Cup	2
56	18-8930	Rear Wheel	2
57	254-99	Bearing Cup	2
58	254-101	Bearing Cone	2
*59	19-7410	Kit Differential & Pinion Shim (Incl. Ref. Nos. 27, 29 & 42)	1
*60	19-7380	Kit Differential Shim (Incl. Ref. No. 42)	1
*61	19-7100	Kit Differential Bearing (Incl. Ref. No. 41 & 51)	1

Ref. No.	Part No.	Description	No. Used
*62	19-7120	Kit Inner Pinion Bearing (Incl. Ref. Nos. 31 & 32)	1
*63	19-7110	Kit Outer Pinion Bearing (Incl. Ref. Nos. 25 & 26)	1
*64	19-6770	Kit Differential Gear & Pinion (Incl. Ref. Nos. 35 & 37)	1
*65	19-7070	Kit Gear Carrier Cover (Incl. Ref. Nos. 45 thru 48)	1
*66	19-6580	Case Assy. Differential (Incl. Ref. Nos. 43, 34-36, 37 & 52)	1
*67	19-6750	Gear & Pinion Assembly Drive (Incl. Ref. Nos. 20 & 33)	1
*68	19-6740	Kit - Differential Case Assembly (Incl. Ref. Nos. 40, 45, 60, 61 & 66)	1
*69	19-7140	Kit - Drive Gear & Pinion Assy. (Incl. Ref. Nos. 21, 23, 24, 29, 40, 45, 59, 62, 63 & 67)	1
*70	19-6760	Kit - Differential Parts (Incl. Ref. Nos. 34 thru 37, 40, 43, 45 & 52)	1
*	18-8700	Journal & Bearing Kit (Incl. Ref. Nos. 9 & 16)	1
*	19-6570	Rear Axle Assembly Complete	1

*Not illustrated

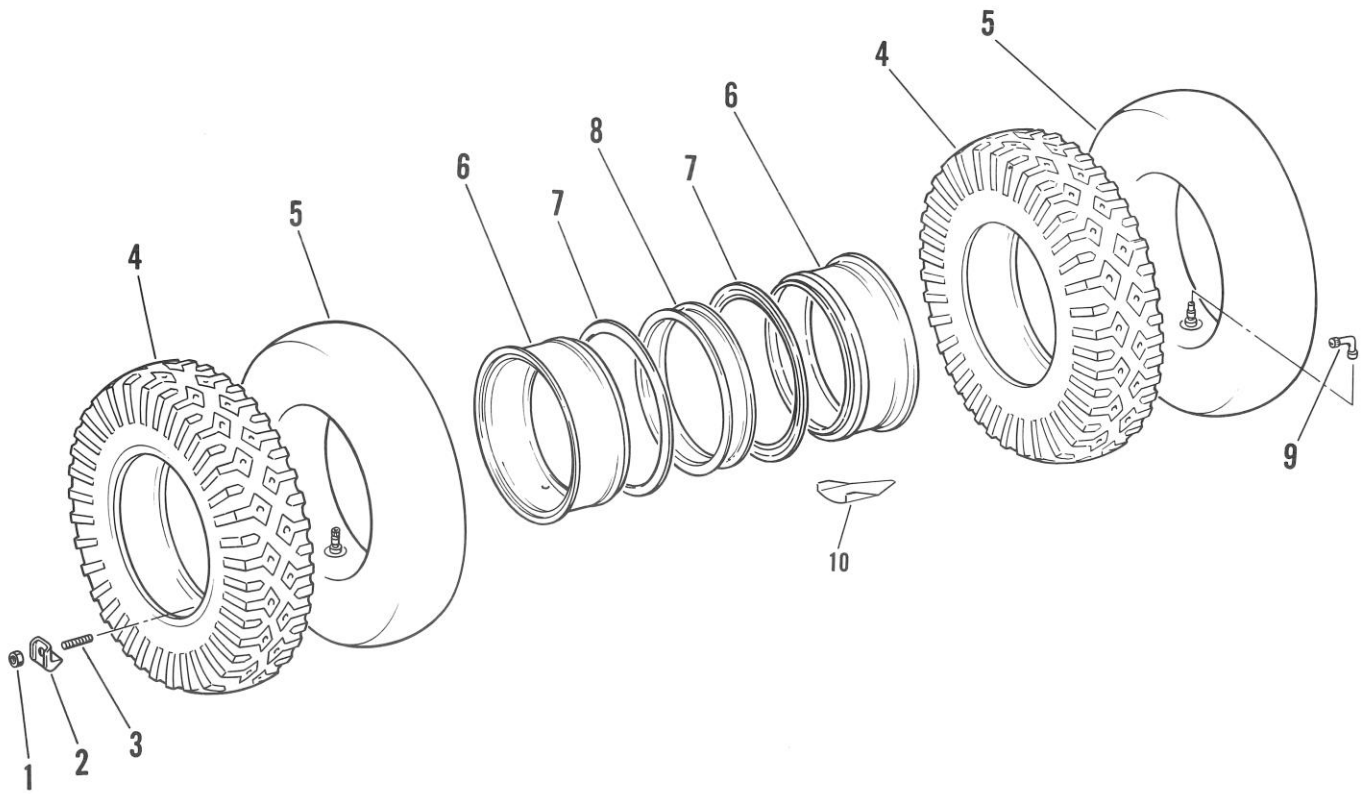


BRAKE ASSEMBLY (13 x 2½)
(USED ON UNITS WITH SERIAL NO. 30400 & UP)

Ref. No.	Part No.	Description	No. Used
1	19-6150	Nut	2
2	19-6160	Lockwasher	2
3	19-6170	Washer Special	2
4	19-7220	Backing Plate Assembly L.H.	1
*	19-7320	Backing Plate Assembly R.H.	1
5	19-6270	Anchor Pin	2
6	19-6460	Bleeder Screw	2
7	19-6450	Tube Seat Inlet	2
8	19-6440	Body L.H.	1
*	19-6540	Body R.H.	1
9	19-6470	Spring	2
10	19-6480	Cup	4
11	19-6490	Piston	4
12	19-6500	Boot	4
13	19-6180	Connecting Link	4
14	19-7270	Parking Brake Lever Assembly L.H.	1
*	19-7460	Parking Brake Lever Assembly R.H.	1
15	19-7300	Brake Shoe Lining Assy.-Prim.	2
16	19-7230	Brake Shoe Lining Assy.-Second.	2
17	19-6260	Plate Shoe Guide	2
18	19-7240	Lining-Drilled - Secondary	2
19	19-7250	Rivet-Tubular Brass	24
20	19-6210	Spring Washer	2
21	19-6200	Retainer	2
22	19-6280	Cable-Guide	2
23	19-6190	Spring-Anchor to Shoe	4
24	19-7280	Cable & Fitting Assembly	2
25	19-6380	Spring-Auto Adj. Lever	2
26	19-7450	Lever-Auto Adj. L.H.	1

Ref. No.	Part No.	Description	No. Used
*	19-6330	Lever-Auto Adj. R.H.	1
27	19-6340	Socket Adj. Screw	2
28	19-6370	Adj. Screw L.H.	1
*	19-6530	Adj. Screw R.H.	1
29	19-6360	Pivot Nut Adj. Screw L.H.	1
*	19-6520	Pivot Nut Adj. Screw R.H.	1
30	19-6350	Washer Adj. Screw	2
31	19-6390	Cup-Shoe Hold Down Spring	8
32	19-6410	Spring-Shoe Hold Down	4
33	19-7340	Lining Drilled - Primary	2
34	19-6430	Spring-Strut to Shoe	2
35	19-6230	Strut-Parking Brake	2
36	19-6250	Spring Strut	2
37	19-6240	Washer Strut	2
38	19-6220	Cotter Pin	2
39	19-6320	Cover-Brake Adj. Hole	4
40	19-6400	Pin-Shoe Hold Down Spring	4
41	19-6420	Screw & Lockwasher Assembly	4
*	19-7310	Wheel Cylinder Assy L.H. (Incl. Items 6-13)	1
*	19-7350	Wheel Cylinder Assy. R.H. (Incl. Items 6-13)	1
*	19-7290	Adj. Screw L.H. (Incl. Ref. Nos. 27-30)	1
*	19-7330	Adj. Screw R.H. (Incl. Ref. Nos. 27-30)	1
*	19-6140	Rear Brake Complete L.H.	1
*	19-6510	Rear Brake Complete R.H.	1

*Not Illustrated

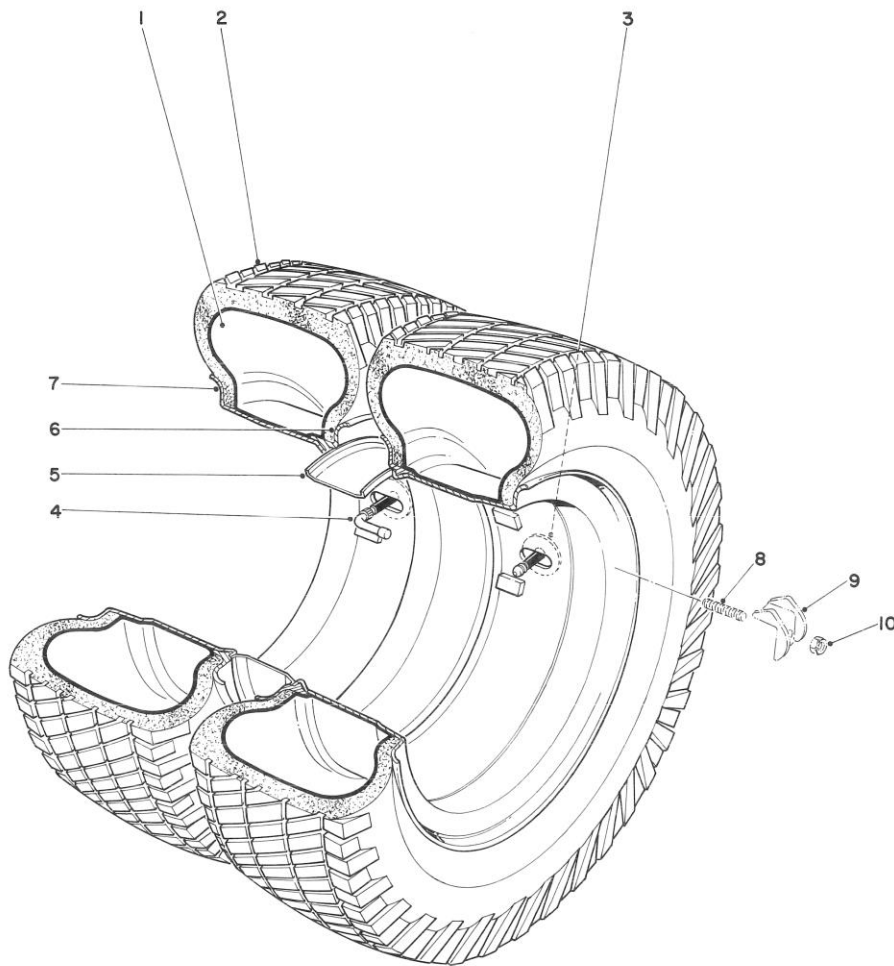


REAR TIRES AND RIMS — 7:50 x 16 General Tractor and Parkmaster 5 and 7

Ref. No.	Part No.	Description	No. Used
1	217-30	Nut, Rim Retaining	12
2	217-29	Wedge Clamp	12
3	217-28	Stud	12
4	231-5	Tire, Rear 7:50 x 16	4
5	232-13	Inner Tube	4

Ref. No.	Part No.	Description	No. Used
6	217-36	Rim	4
7	217-37	Ring, Retaining	4
8	11-4860	Spacing Band	2
9	217-16	Valve Extension	2
10	12-2590	Shim	6
*	231-58	Tire, Rear 9:50 x 16	4

*Optional

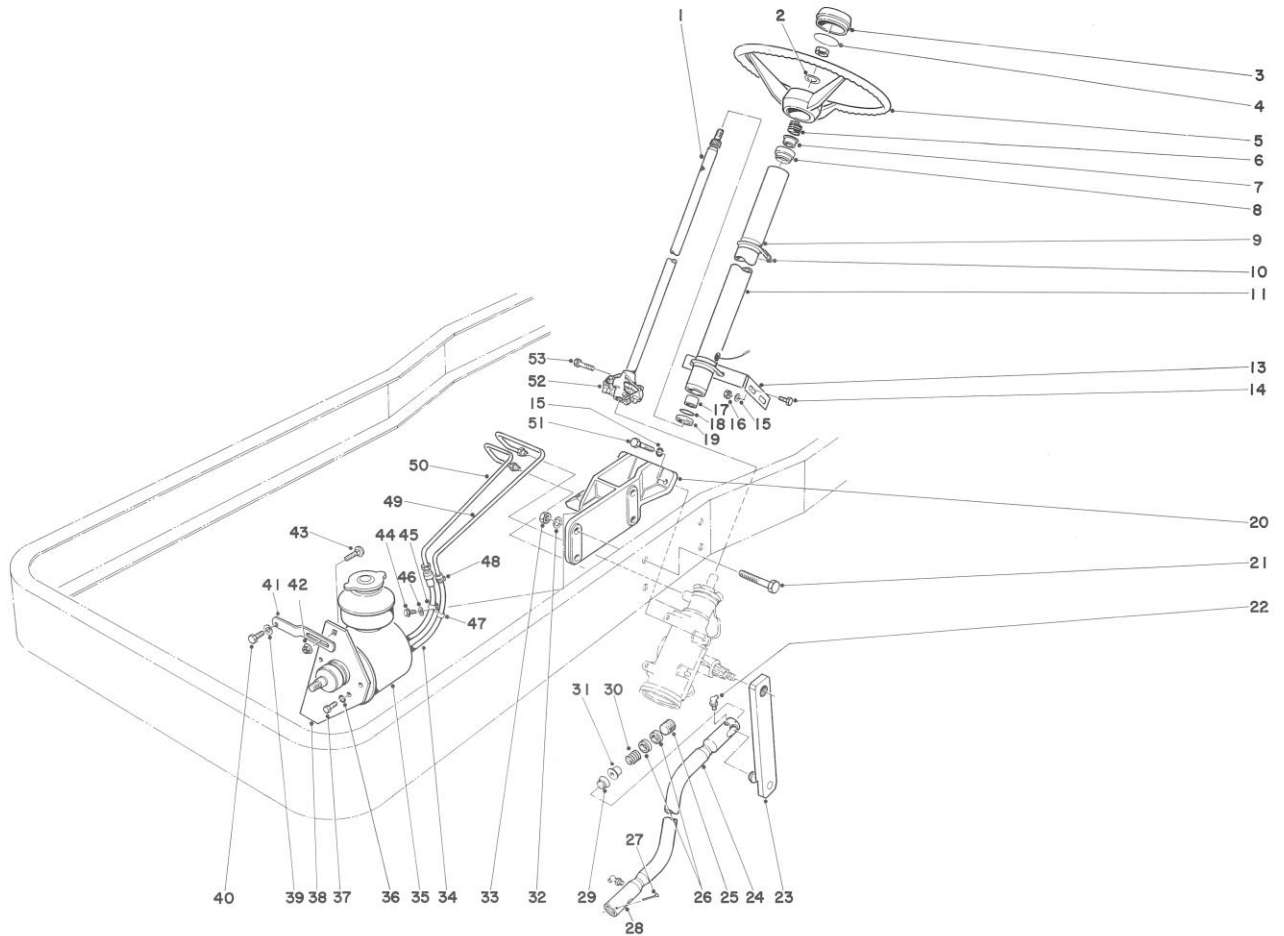


REAR TIRES AND RIMS 8:00x16 — Parkmaster 9

Ref. No.	Part No.	Description	No. Used
1	232-13	Tube	4
2	231-70	Tire & Tube	4
3	3256-8	Bridge Washer	4
4	217-16	Valve Extension	2
5	11-4880	Spacer Band	2

Ref. No.	Part No.	Description	No. Used
6	217-100	Rim Ring	4
7	11-4810	Rim	4
8	217-28	Stud	12
9	217-29	Wedge Clamp	12
10	217-30	Nut	12
*	231-58	Rear Tire 9.50 x 16	4

*Optional

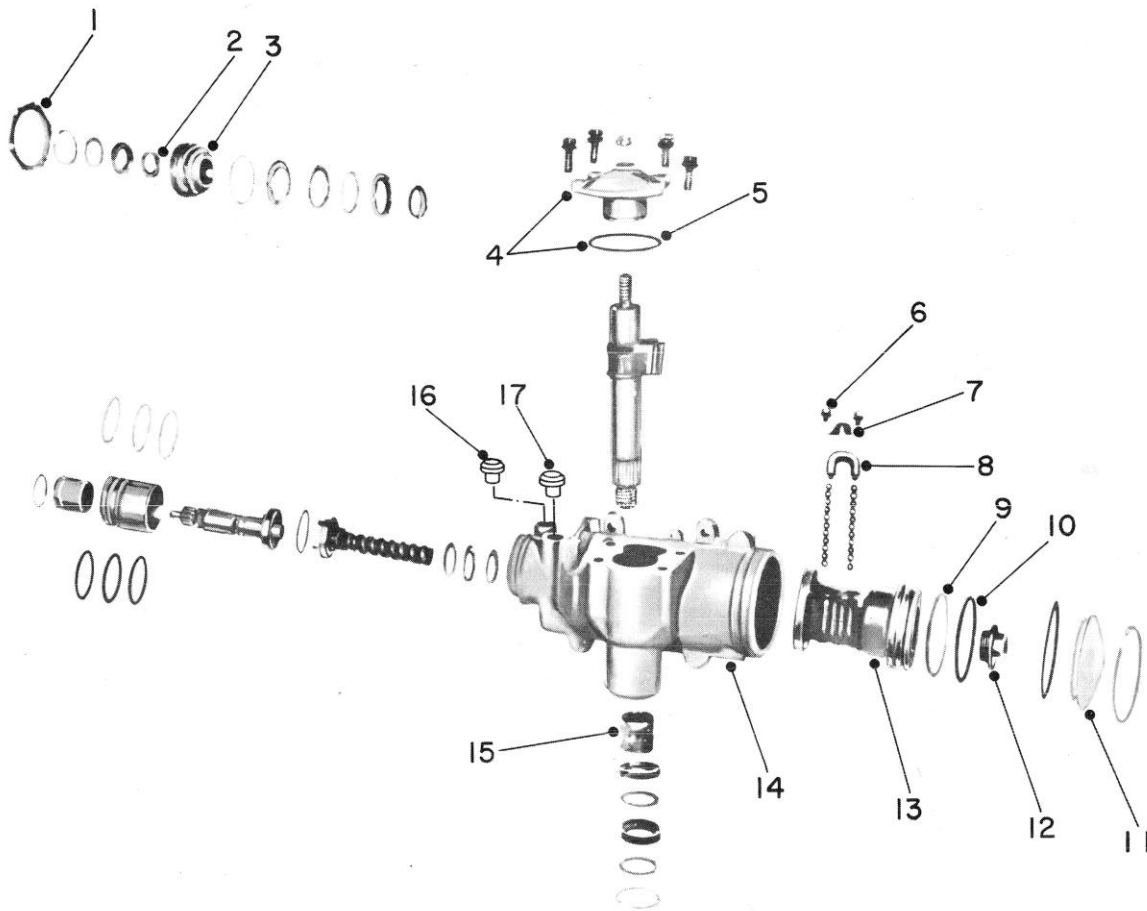


STEERING ASSEMBLY

Ref. No.	Part No.	Description	No. Used
1	18-3090	Steering Shaft Assembly	1
2	18-3130	Washer	1
3	18-2140	Steering Wheel Cap	1
4	18-3170	Decal	1
5	18-2110	Steering Wheel	1
6	18-3120	Spring	1
7	18-3110	Spring Seat	1
8	18-3030	Bearing Assembly	1
9	18-1310	Saddle	4
10	18-2130	Clamp	2
11	18-3150	Steering Column Jacket Ass'y.	1
*	18-3050	Steering Shaft & Jacket Ass'y.	1
13	18-0830	Steering Column Support	1
14	322-2	Capscrew	2
15	3256-23	Flatwasher	5
16	32146-5	Lock Nut	2
17	18-3060	Bushing	1
18	18-3080	Seal	1
19	18-3070	Bearing Seal Retainer	1
20	18-1200	Engine & Power Steering Mount	1
21	327-10	Capscrew	4
22	302-33	Grease Fitting	2
23	18-2070	Pitman Arm	1
24	18-0330	Drag Link Tube	1
25	2116-5	End Plug	2
26	2116-6	Spherical Seat	4

Ref. No.	Part No.	Description	No. Used
27	3272-15	Cotter Pin	2
28	18-0320	Drag Link (Incl. Ref. No's. 22, 24-31)	1
29	2116-8	Inner Plug	2
30	2116-7	Spring	2
31	2116-11	Spring Seat	2
32	3253-8	Lockwasher	4
33	3217-11	Nut	4
34	18-2080	Return Hose	1
35	18-2700	Power Steering Pump	1
36	3253-21	Lockwasher	3
37	323-4	Capscrew	3
38	18-2590	Power Steering Pump Mount	1
39	3253-6	Lockwasher	1
40	324-4	Capscrew	1
41	18-1380	Adjustment Bracket	1
42	32128-19	Flange Nut	1
43	3231-2	Carriage Bolt	1
44	32104-6	Self-Tapping Screw	1
45	2412-4	Clamp	1
46	3256-24	Flatwasher	1
47	2412-41	Clamp	1
48	2412-36	Hose Clamp	2
49	18-2090	Return Tube	1
50	18-2100	Press Tube & Hose Assembly	1
51	324-6	Capscrew	3
52	18-3010	Flange Assembly	1
53	18-3100	Bolt	1

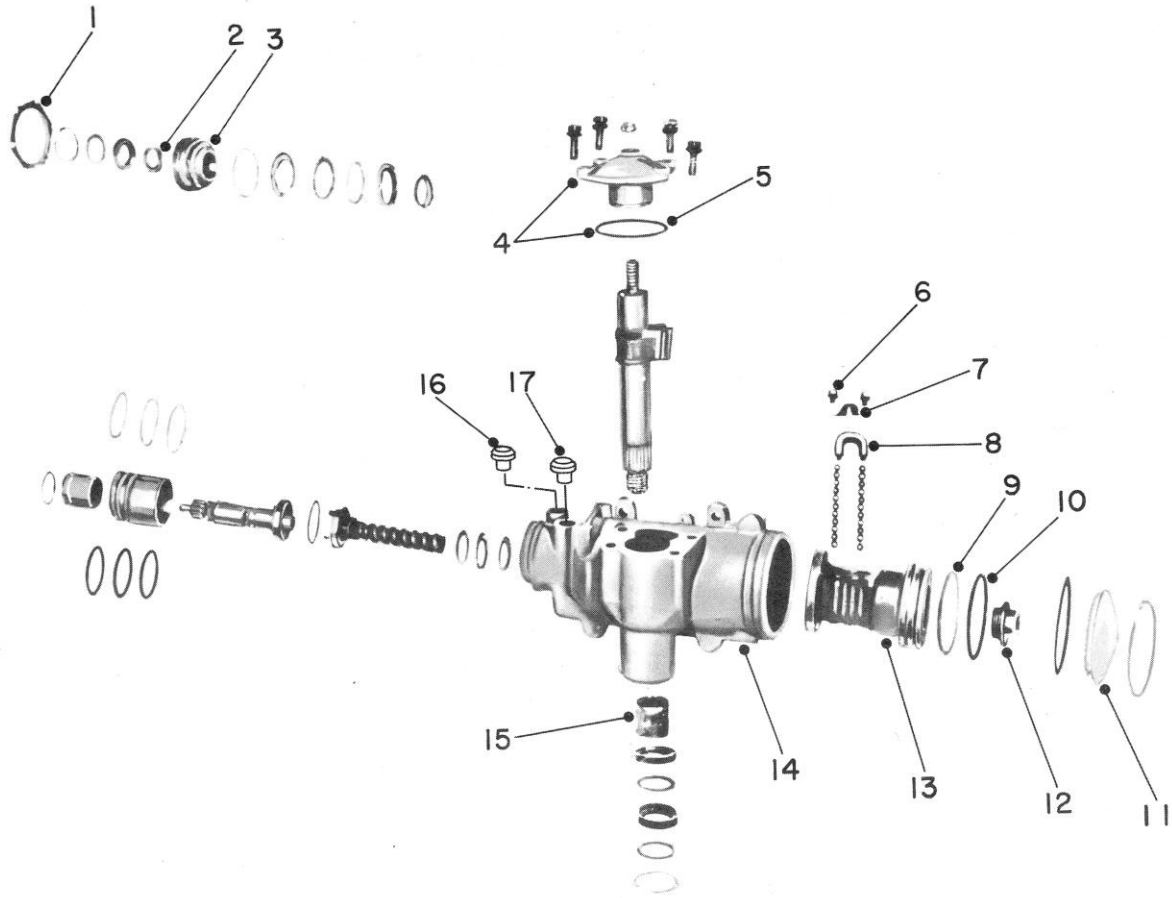
*Not Illustrated



STEERING GEAR

Ref. No.	Part No.	Description	No. Used
1	18-4320	Locknut	1
2	18-4240	Bearing Assembly	1
3	18-4230	Plug Assembly	1
	18-4240	Bearing Assembly	1
		Bearing Assembly Roller Thrust	1
		Plug Adjuster	1
		Race, Thrust Bearing	1
		Race, Thrust Bearing	1
		Retainer, Bearing	1
		Ring, Retaining	1
		Seal, "O" Ring	1
		Seal, Stub Shaft	1
		Seal, Stub Shaft Dust	1
		Spacer, Thrust Bearing	1
4	18-4170	Cover Assembly	1
	18-4180	Seal, Side Cover	1
		Bushing	1
		Cover	1
5	18-4180	Seal	1
6	18-4260	Capscrew & Lockwasher	2
7	18-4270	Clamp	1
8	18-4280	Guide, Ball Return	2
9	18-4290	Ring, Rack Piston	1

Ref. No.	Part No.	Description	No. Used
10	18-4300	"O" Ring Seal	1
11	18-4330	Plug, Housing End	1
12	18-4340	Plug, Rack Piston End	1
13	18-4250	Rack, Piston, Nut Assembly	1
	18-4260	Capscrew & Lockwasher	2
		Pin & Worm Assembly	1
		Dowel Pin	1
		Steering Worm	1
		Ball	11
	18-4270	Clamp	1
	18-4280	Ball Return Guide	2
		Rack, Piston, Nut	1
		Ring, Rack Piston	1
	18-4300	Seal	1
14	18-4190	Housing Assembly	1
		Ball	1
	18-4200	Bearing, Pitman Shaft	1
		Bearing	1
	18-4210	Connector, Inverted Flare	1
	18-4220	Connector, Inverted Flare	1
		Housing	1
15	18-4200	Bearing, Pitman Shaft	1
16	18-4220	Connector, Inverted Flare	1

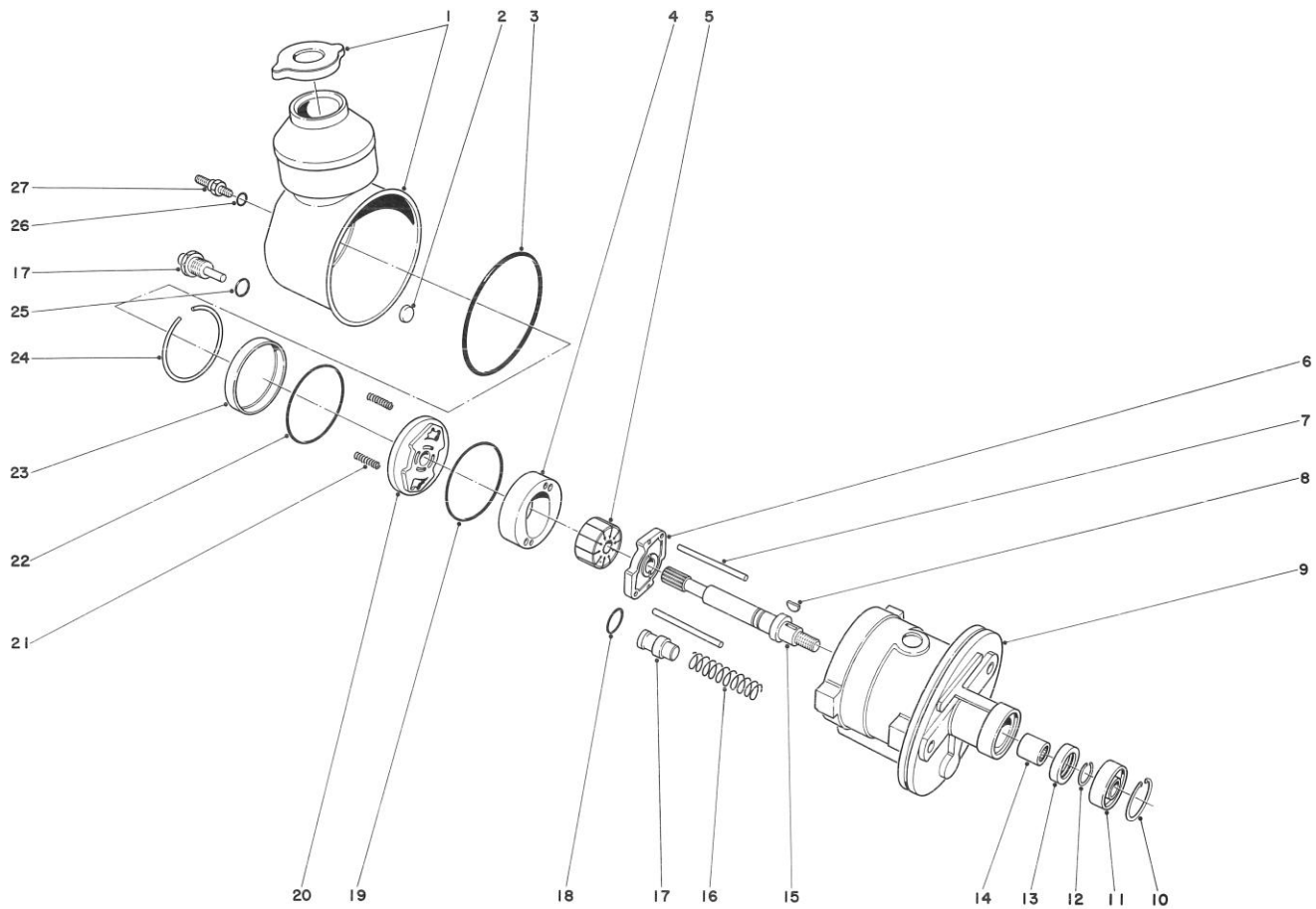


STEERING GEAR (Continued)

Ref. No.	Part No.	Description	No. Used
17	18-4210	Connector, Inverted Flare	1
*	18-4310	Valve Assembly	1
		Body Assembly	1
		Dowel Pin	1
		Sleeve	2
		Torsion Bar	1
		Cap	1
		Dowel Pin	1
		Bearing Assembly	1
		Pin	1
		Shaft, Stub	1
		Ring	3
		"O" Ring Seal	1
		"O" Ring Seal	3
		"O" Ring Seal	1

Ref. No.	Part No.	Description	No. Used
		"O" Ring Seal	1
		Sleeve, Torsion Bar	1
		Spool, Valve	1
		Dowel Pin	1
*	18-5140	Bearing Service Kit - Thrust	A/R
		Bearing Ass'y: - Roller Thrust	1
		Race - Thrust Bearing	1
		Race - Thrust Bearing	1
		Retainer - Bearing	1
		Spacer	1
*	18-5150	Seal Service Kit - Adj. Plug	A/R
		Seal, Stub Shaft	1
		Seal, "O" Ring	1
		Seal, Stub Shaft Dust	1
*	18-2050	Steering Gear Complete	1

*Not Illustrated

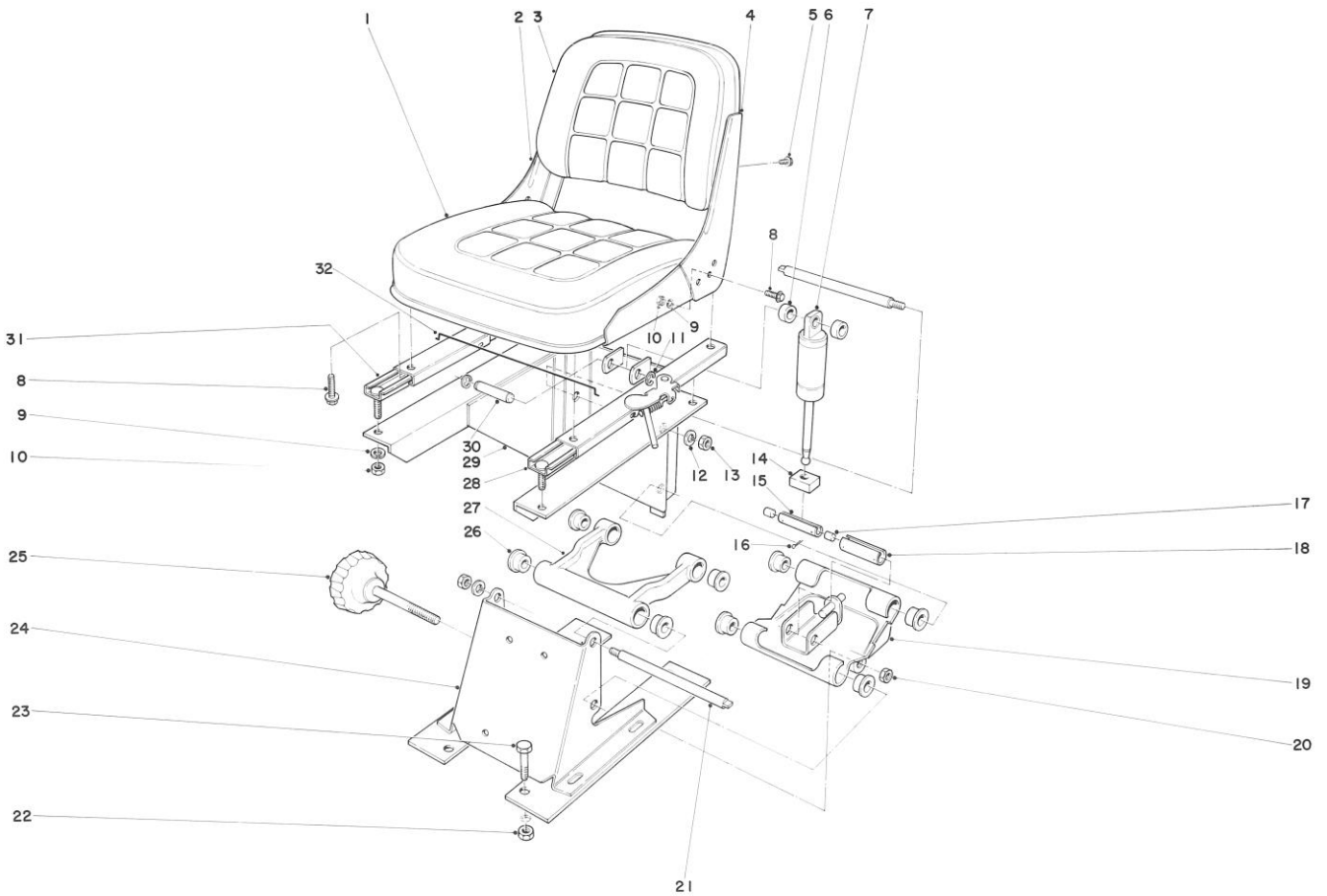


POWER STEERING PUMP

Ref. No.	Part No.	Description	No. Used
1	18-4380	Reservoir & Cap Assembly	1
2	18-4470	Magnet	1
3	18-4570	O-Ring	1
4	18-4520	Pump Ring	1
5	18-4550	Pump Rotor	1
6	18-4510	Thrust Plate	1
7	18-4480	Dowel Pin	2
8	18-4460	Woodruff Key	1
9	18-4400	Housing	1
10	18-4530	Retaining Ring	1
11	18-4430	Ball Bearing Assembly	1
12	18-4440	Retaining Ring	1
13	18-4420	Drive Shaft Seal	1
14	18-4410	Needle Bearing Assembly	1
15	18-4450	Drive Shaft	1
16	18-4620	Spring	1
17	18-4390	Hydraulic Fitting Assembly	1
18	18-4600	O-Ring	1

Ref. No.	Part No.	Description	No. Used
19	18-4590	O-Ring	1
20	18-4500	Pressure Plate	1
21	18-4630	Pressure Plate Spring	2
22	18-4580	O-Ring	1
23	18-4490	End Plate	1
24	18-4540	Retaining Ring	1
25	18-4610	O-Ring	1
26	18-4560	O-Ring	1
27	18-4640	Mounting Stud	1
*	18-5340	Seal Service Kit (Incl. Ref. # 3, 18, 19, 22, 25 & 26)	
*	18-5350	Reservoir Assembly Complete	1
*	18-5360	Vane Service Kit Complete	1
*	18-5370	Ring Valve, and Rotor Kit (Incl. Ref. Nos. 4 & 5)	1
*	19-1410	Control Valve Assembly	1
*	18-2700	Power Steering Pump Comp.	1

*Not Illustrated

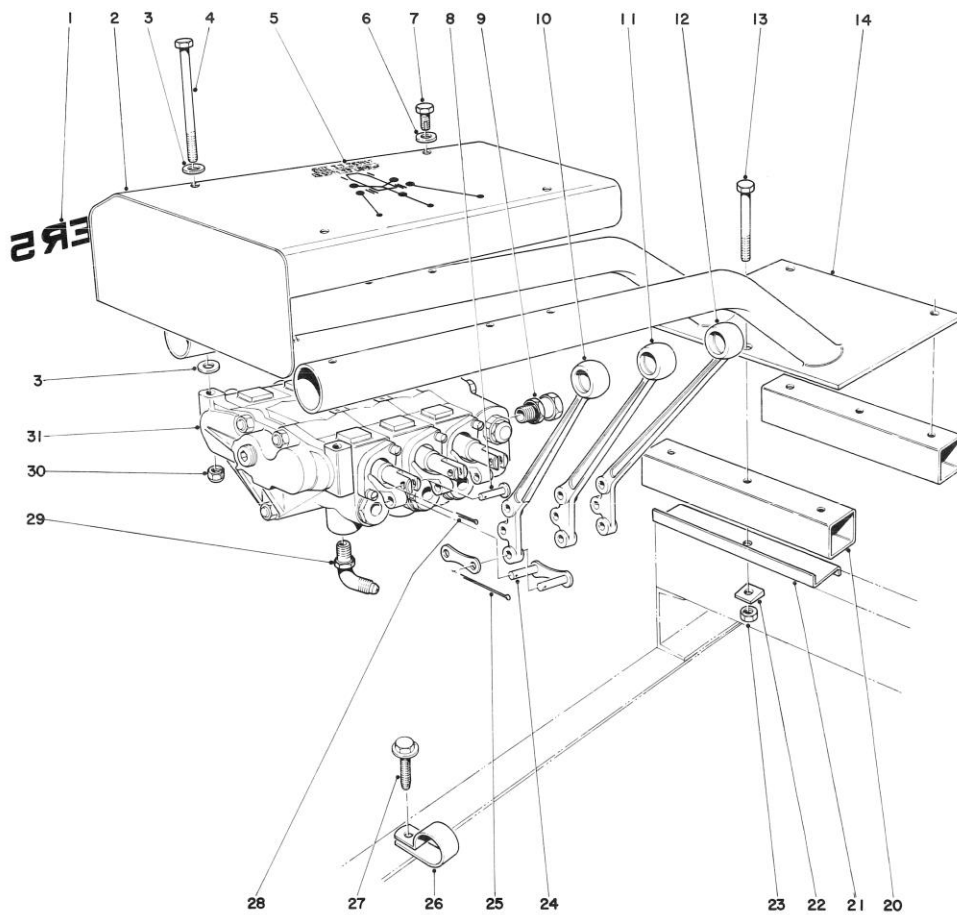


SEAT ASSEMBLY

Ref. No.	Part No.	Description	No. Used
1	351-59	Seat Cushion	1
2	351-64	Rail R.H.	1
3	351-60	Backrest	1
4	351-65	Rail L.H.	1
5	3234-5	Hex Flange Screw	4
6	351-44	Spacer	2
7	351-42	Gas Spring	1
8	3234-5	Flange Screw	2
9	3253-4	Lockwasher	6
10	3217-6	Nut	6
11	32120-18	Retaining Ring	2
12	3254-6	Lockwasher	4
13	32146-6	Nut	4
14	351-46	Bumper	1
15	351-45	Pivot	1
16	3272-7	Cotter Pin	3

Ref. No.	Part No.	Description	No. Used
17	351-69	Spacer	2
18	351-66	Pivot Sleeve	1
19	351-68	Adj. Link	1
20	3296-39	Nut	1
21	351-40	Step Bolt	4
22	32146-2	Locknut	4
23	323-7	Capscrew	4
24	351-37	Base	1
25	351-47	Adjustment Screw	1
26	351-48	Bushing	4
27	351-41	Arm Assembly (Incl. Ref. 26)	1
28	351-63	Adjuster L.H.	1
29	351-67	Carriage Assembly	1
30	351-43	Pivot Pin	1
31	351-62	Adjuster R.H.	1
32	351-61	Connecting Rod	1

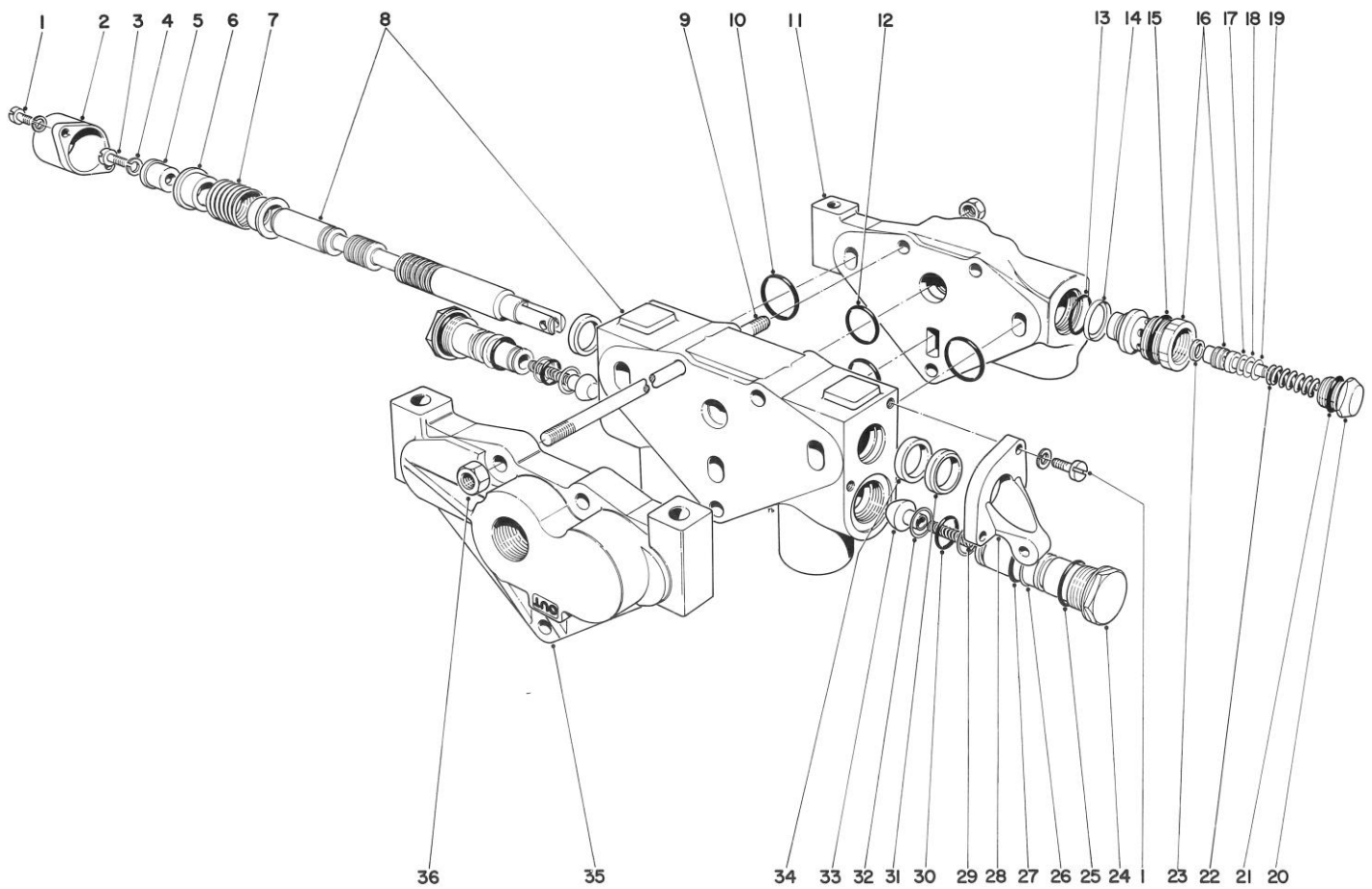
*Not Illustrated



VALVE BANK — Parkmaster 5

Ref. No.	Part No.	Description	No. Used
1	19-2260	Decal	1
2	5-6600	Valve Cover	1
3	3256-23	Washer	6
4	322-29	Capscrew	3
5	5-8070	Decal	1
6	3256-24	Washer	2
7	32104-6	Self-Tapping Screw	2
8	353-322	Pin	3
9	353-433	Straight Swivel	2
10	5-7840	Lever Modified	1
11	353-323	Lever	1
12	5-7830	Lever Modified	1
13	325-13	Capscrew	3
14	5-7780	Valve Stand	1
15	5-0200	Hydraulic Hose (77")	4
16	5-0230	Hydraulic Hose (102")	2

Ref. No.	Part No.	Description	No. Used
17	18-3250	Low Pressure Hose	1
18	18-2350	Suction Hose	1
19	18-3240	High Pressure Hose	1
20	3-0166	Spacer Tube	2
21	3-0270	Spacer	2
22	3290-216	Bevel Washer	3
23	32146-13	Locknut	3
24	353-319	Connecting Link	3
25	353-320	Cotter Pin	3
26	304-61	Hose Clamp	3
27	11-0590	Self Tapping Screw	1
28	353-321	Cotter Pin	3
29	353-212	Elbow 45°	6
30	3296-29	Nut	3
31	5-7720	Complete Valve Bank Assembly	1

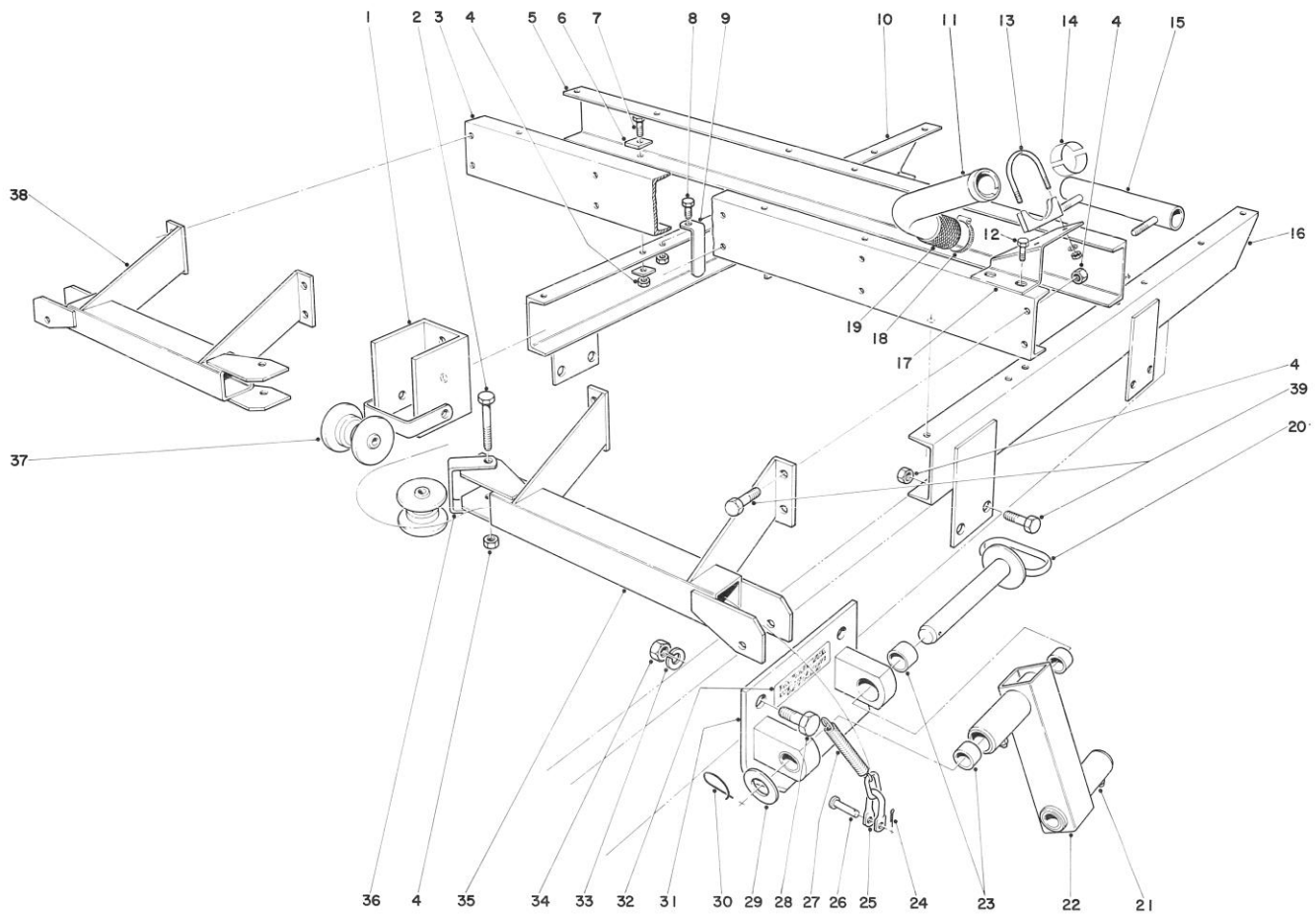


HYDRAULIC VALVE ASSEMBLY — Parkmaster 5

Ref. No.	Part No.	Description	No. Used
1	353-315	Screw & Wash. Assy.	12
2	353-310	Bonnet	3
3	353-312	Screw	3
4	353-314	Washer	3
5	353-313	Spool Collar	3
6	353-311	Stop Collar	6
7	353-309	Spring	3
8	353-317	Housing & Spool Assy.	3
9	353-341	Stud	1
10	353-339	Section Seal	8
11	353-337	End Cover	1
12	353-340	Sect. Seal, Pressure	8
13	353-399	O-Ring	1
14	353-391	Seal, Back Up	1
15	353-331	O-Ring Seal	1
16	353-336	Rel. Body & Rel. Poppet Assy. (Incl. Ref. No. 23)	1
17	353-328	Shim (.040)	1
18	353-329	Shim (.020)	1
19	353-330	Shim (.010)	1

Ref. No.	Part No.	Description	No. Used
20	353-334	Relief Cap	1
21	353-308	O-Ring Cylinder Port Plug	1
22	353-333	Spring	1
23	353-392	Piston Ring	1
24	353-307	Lift Check Plug	6
25	353-308	O-Ring Cylinder Port	6
26	353-306	Back-Up Washer Cover	6
27	353-305	O-Ring Check	6
28	353-324	Handle Bracket	3
29	353-304	Lift Check Spring	6
30	353-302	O-Ring, Check Plug Seal (Inner)	6
31	353-318	Secondary Spool Wiper Seal	3
32	353-303	Back-Up Washer (Inner)	12
33	353-301	Lift Check Poppet	6
34	353-316	Spool Seal	6
35	353-338	End Cover	1
36	353-343	Locknut	6
*	5-8060	Valve Section Complete (Incl. Ref. Nos. 1-8, 24-34)	3

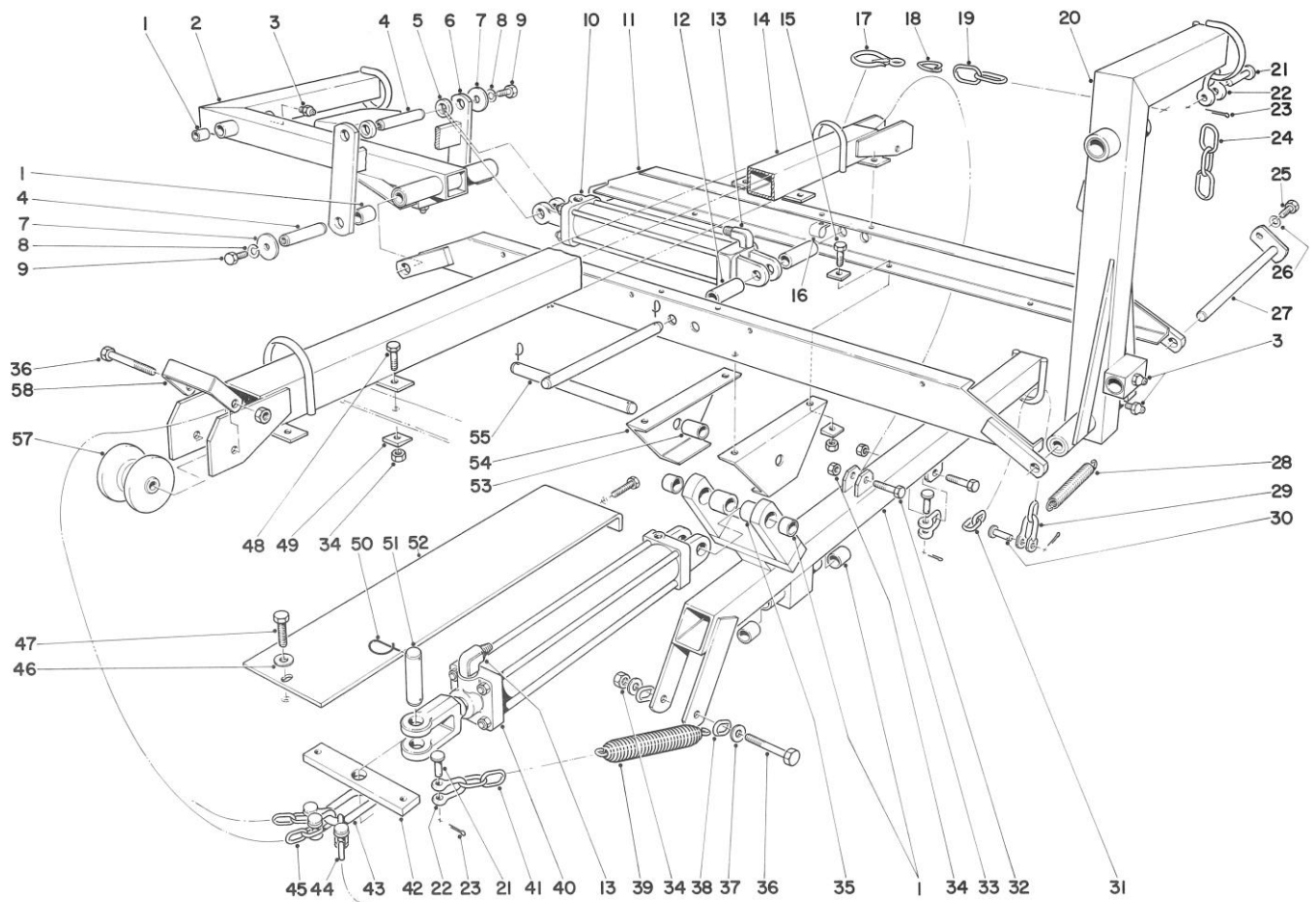
*Not Illustrated



MAIN FRAME ASSEMBLY - Front Parkmaster 5

Ref. No.	Part No.	Description	No. Used
1	3-0112	Sheave Bracket	1
2	325-18	Capscrew	2
3	3-0141	Front Cross Channel, Front	1
4	32146-13	Locknut	29
5	3-0142	Front Cross Channel, Rear	1
6	3290-216	Bevel Washer	8
7	325-8	Capscrew	8
8	325-5	Capscrew	2
9	3-0236	Hose Clip	2
10	3-4608	Channel R.H.	1
11	18-2410	Fill Tube	1
12	32104-6	Self-Tapping Screw	4
13	18-8590	Clamp	1
14	18-8600	Saddle	2
15	3-4250	Tube	2
16	3-4606	Channel L.H.	1
17	18-2420	Fill Tube Bracket	1
18	2412-42	Hose Clamp	2
19	18-2790	Hose Extension	1
20	3-0152	Pin	2

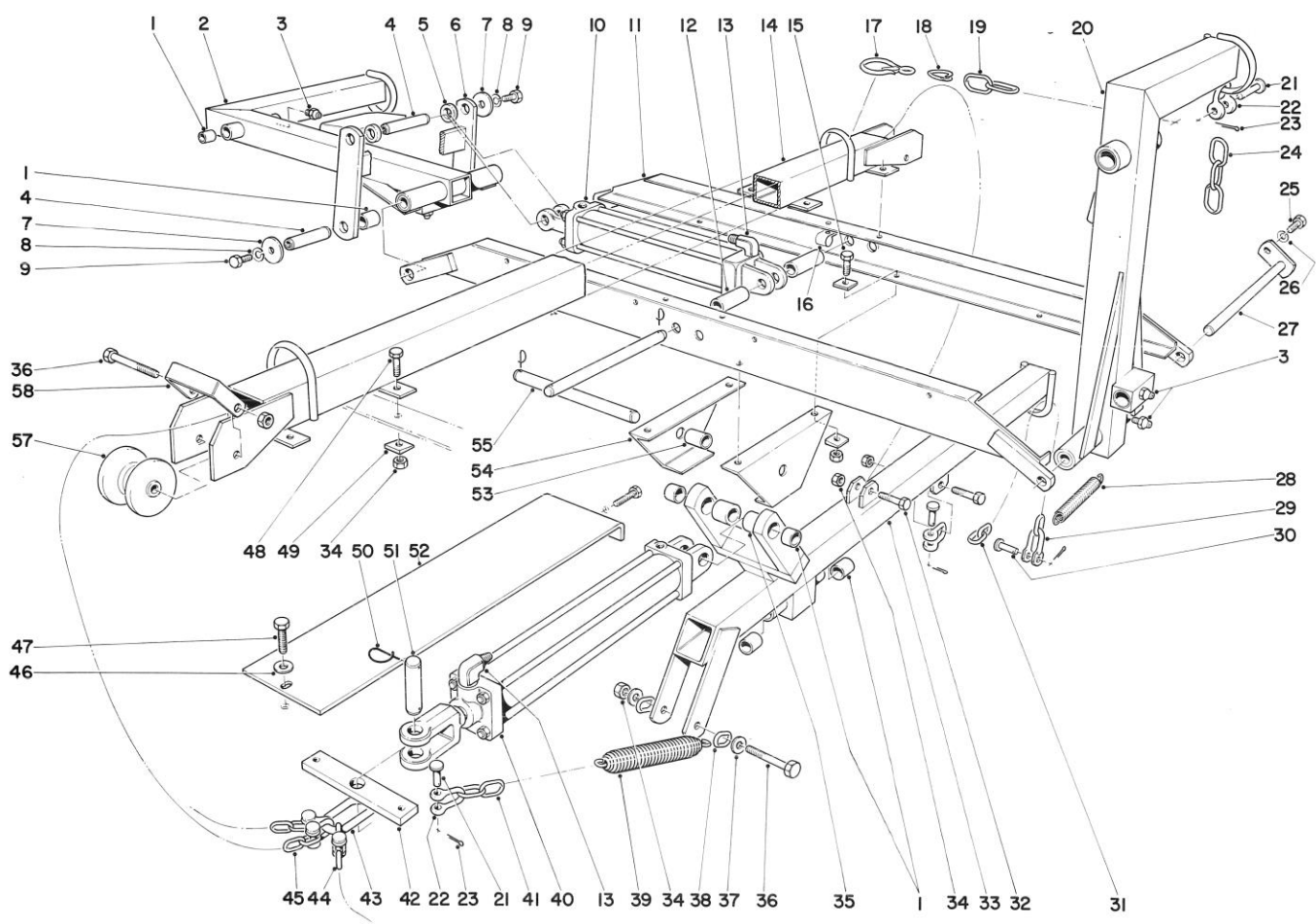
Ref. No.	Part No.	Description	No. Used
21	302-5	Grease Fitting	4
22	5-1996	Front Arm (Incl. Ref. No. 23)	2
23	3-0348	Bushing	12
24	3272-10	Cotter Pin	2
25	5-2942	Shackle	2
26	283-6	Clevis Pin	2
27	5-1706	Spring	2
28	327-5	Capscrew	4
29	3256-30	Washer	2
30	5-3126	Spring Pin	2
31	5-1998	Bracket (Incl. Ref. No. 23)	2
32	5-5041	Decal	1
33	3253-8	Lockwasher	4
34	3217-11	Nut	4
35	3-6690	Tube L.H.	1
36	3-0136	Chain Keeper	2
37	3-2196	Sheave	2
38	3-6680	Tube R.H.	1
39	325-6	Capscrew	16



MAIN FRAME ASSEMBLY - Rear Parkmaster 5

Ref. No.	Part No.	Description	No. Used
1	3-0348	Bushing	20
2	10-1940	Short Arm R.H. (Incl. Ref. No. 1)	1
3	302-5	Grease Fitting	6
4	3-0128	Shaft	4
5	20-4370	Tube Spacer	4
6	10-0700	Link	2
7	5-1720	Washer	8
8	3253-5	Lockwasher	8
9	3211-4	Capscrew	8
10	20-3580	Cylinder 10"	2
11	8-1280	Rear Cross Channel	1
12	20-4390	Tube Spacer	4
13	5-6560	Elbow (78)	4
14	3-0105	Channel Brace	1
15	325-7	Capscrew	4
16	304-61	Hose Clamp	1
17	286-3	Snap Hook	4
18	287-2	Cold Shut	4
19	3-1365	Safety Chain (15 Links)	2
20	10-1970	Short Arm L.H. (Incl. Ref. No. 1)	1
21	283-10	Pin	7

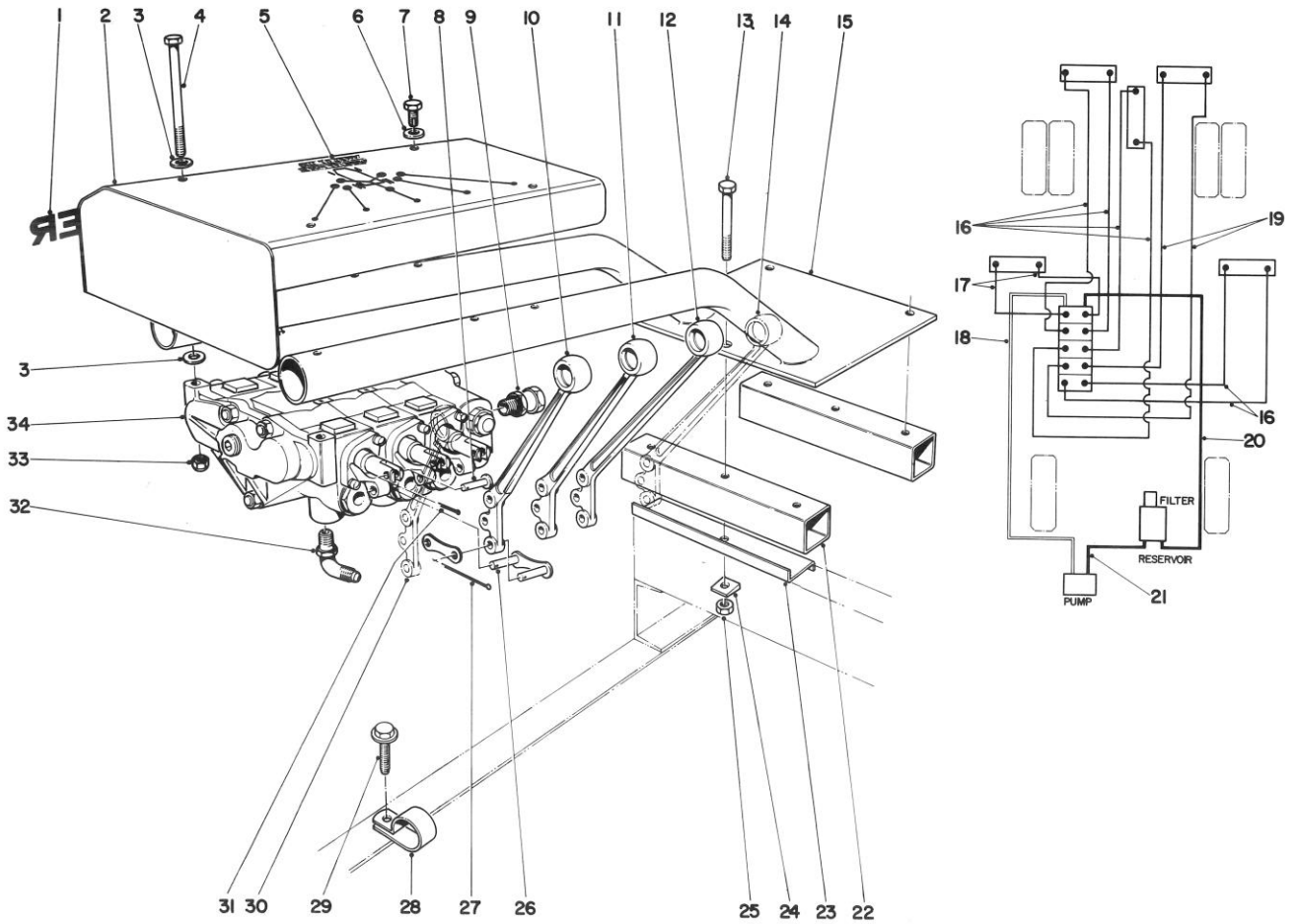
Ref. No.	Part No.	Description	No. Used
22	8-0280	Yoke	7
23	3272-10	Cotter Pin	10
24	3-4636	Chain (7 Links)	2
25	322-3	Capscrew	2
26	3253-4	Lockwasher	2
27	8-0390	Bail Lift Pin	2
28	5-1706	Spring	3
29	5-2942	Shackle	3
30	283-6	Clevis Pin	3
31	3-1364	Chain (36 Links)	1
32	325-9	Capscrew	2
33	3-0224	Rear Lift Arm	1
34	32146-13	Locknut	13
35	20-4420	Spacer	2
36	325-18	Capscrew	3
37	3256-26	Washer	2
38	2830-8	Link	2
39	5-0743	Spring	2
40	20-3570	Cylinder 12"	1
41	3-0295	Chain (22 Links)	2
42	3-0288	Link	1
43	3-0326	Ring	1
44	5-5130	Chain (59 Links)	2



MAIN FRAME ASSEMBLY - Rear Parkmaster 5 (Continued)

Ref. No.	Part No.	Description	No. Used
45	3-4602	Chain (90 Links)	1
46	3256-24	Flatwasher	1
47	32104-6	Screw	2
48	325-6	Capscrew	6
49	3290-216	Bevel Washer	10
50	5-3126	Spring Pin	8
51	20-4380	Pin	1

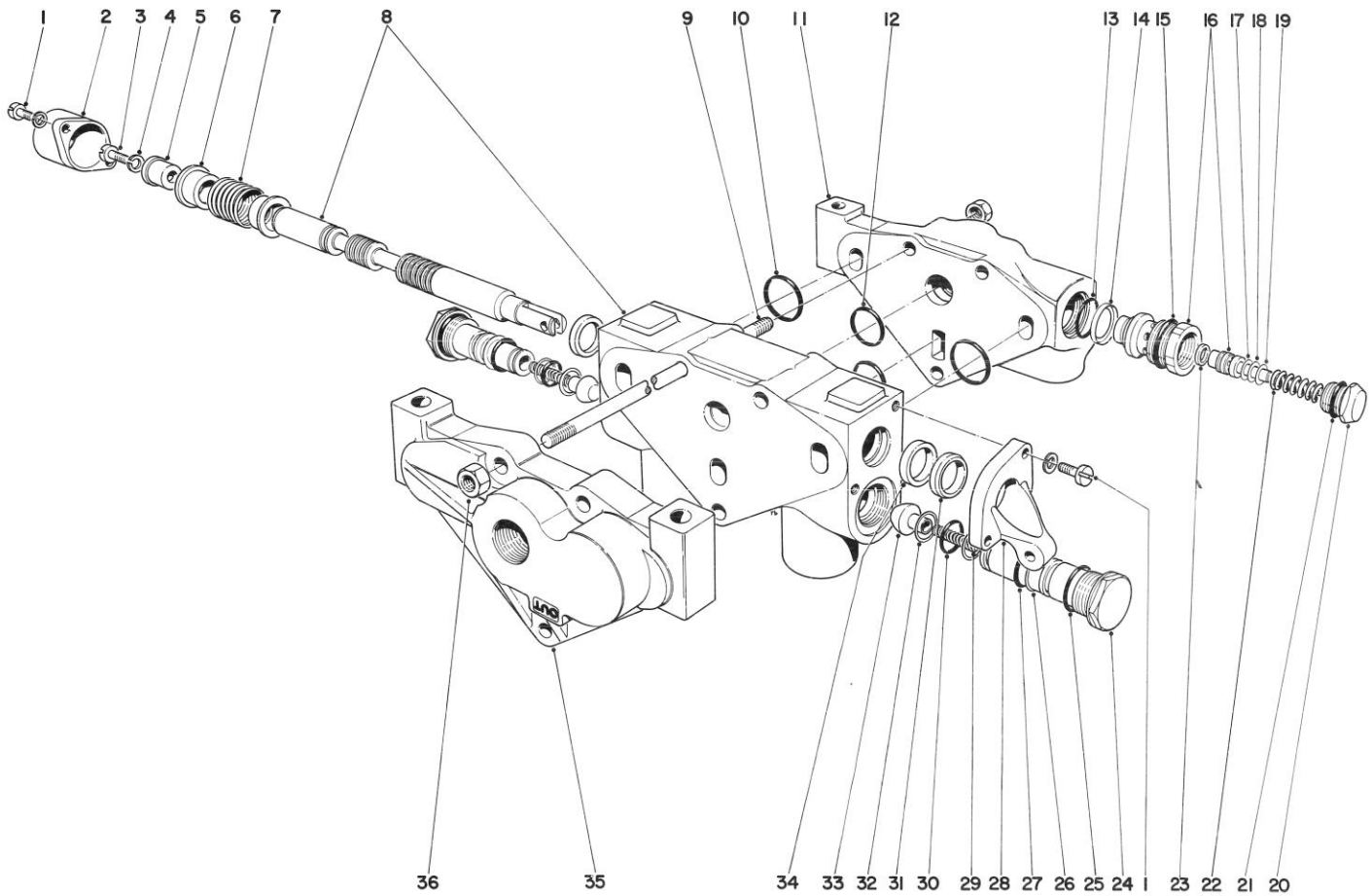
Ref. No.	Part No.	Description	No. Used
52	18-2620	Plate	1
53	3-0145	Spacer	2
54	3-0146	Channel	2
55	3-0144	Shaft	3
56	8-2180	Rear Cross Channel	1
57	3-2196	Sheave	2
58	3-0136	Chain Keeper	2



VALVE BANK — Parkmaster 7

Ref. No.	Part No.	Description	No. Used
1	19-2270	Decal	1
2	5-6600	Valve Cover	1
3	3256-23	Washer	6
4	322-29	Capscrew	3
5	5-8080	Decal	1
6	3256-24	Washer	1
7	32104-6	Self-Tapping Screw	1
8	353-322	Pin	5
9	353-211	Straight Swivel — Female	2
10	5-7840	Modified Lever	1
11	353-323	Lever	1
12	5-7830	Modified Lever	1
13	325-13	Capscrew	3
14	5-7860	Modified Lever	1
15	5-7780	Valve Stand	1
16	5-0200	Hydraulic Hose (77")	6
17	5-0220	Hydraulic Hose (46")	2

Ref. No.	Part No.	Description	No. Used
18	18-3240	High Pressure Hose	1
19	5-0230	Hydraulic Hose (102")	2
20	18-3250	Low Pressure Hose	1
21	18-2350	Suction Hose	1
22	3-0166	Spacer Tube	2
23	3-0270	Spacer	1
24	3290-216	Bevel Washer	3
25	32146-13	Locknut	3
26	353-319	Connecting Link	5
27	353-320	Cotter Pin	5
28	304-61	Clip	2
29	11-0590	Self Tapping Screw	1
30	5-7850	Modified Lever	1
31	353-321	Cotter Pin	5
32	353-212	Male Elbow	10
33	3296-29	Locknut	3
34	5-7730	Complete Valve Bank Assy.	1

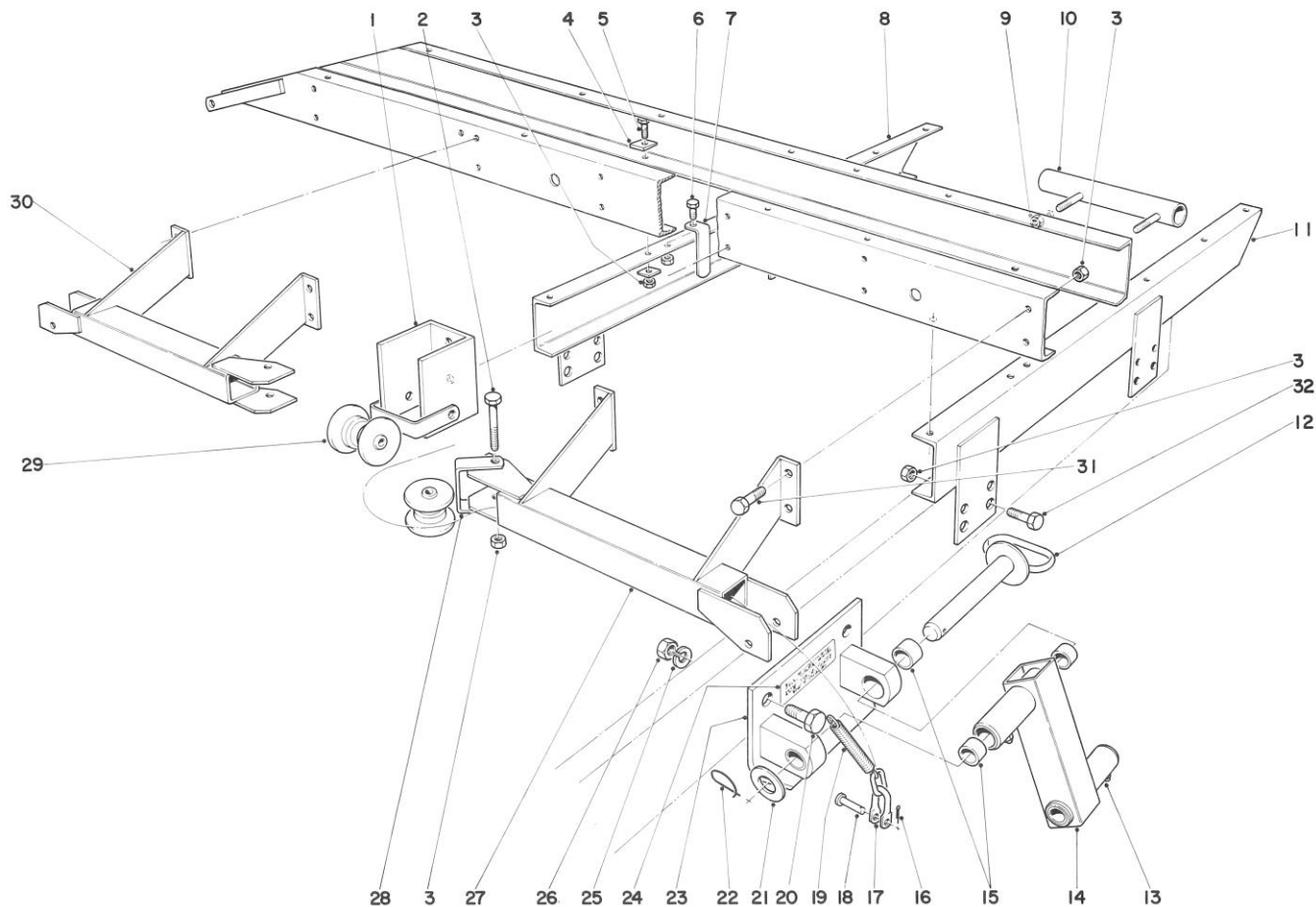


HYDRAULIC VALVE ASSEMBLY — Parkmaster 7

Ref. No.	Part No.	Description	No. Used
1	353-315	Screw & Wash. Assy.	20
2	353-310	Bonnet	5
3	353-312	Screw	5
4	353-314	Washer	5
5	353-313	Spool Collar	5
6	353-311	Stop Collar	10
7	353-309	Spring	5
8	353-317	Housing & Spool Assy.	5
9	353-342	Stud	1
10	353-339	Section Seal	12
11	353-337	End Cover	1
12	353-340	Sect. Seal, Pressure	12
13	353-399	O-Ring	1
14	353-391	Seal, Back Up	1
15	353-331	O-Ring Seal	1
16	353-336	Rel. Body & Rel. Poppet Assy. (Incl. Ref. #23)	1
17	353-328	Shim (.040)	1
18	353-329	Shim (.020)	1

Ref. No.	Part No.	Description	No. Used
19	353-330	Shim (.010)	1
20	353-334	Cap, Relief Valve	1
21	353-308	O-Ring Cylinder Port Plug	1
22	353-333	Spring	1
23	353-392	Piston Ring	1
24	353-307	Lift Check Plug	10
25	353-308	O-Ring Cylinder Port	10
26	353-306	Back-Up Washer Cover	10
27	353-305	O-Ring Check	10
28	353-324	Handle Bracket	5
29	353-304	Lift Check Spring	10
30	353-302	O-Ring, Check Plug Seal (Inner)	10
31	353-318	Secondary Spool Wiper Seal	5
32	353-303	Back-Up Washer (Inner)	20
33	353-301	Lift Check Poppet	10
34	353-316	Spool Seal	10
35	353-338	End Cover	1
36	353-343	Locknut	6
*	5-8060	Valve Section Complete (Incl. Ref. Nos. 1-8 & 24-34)	5

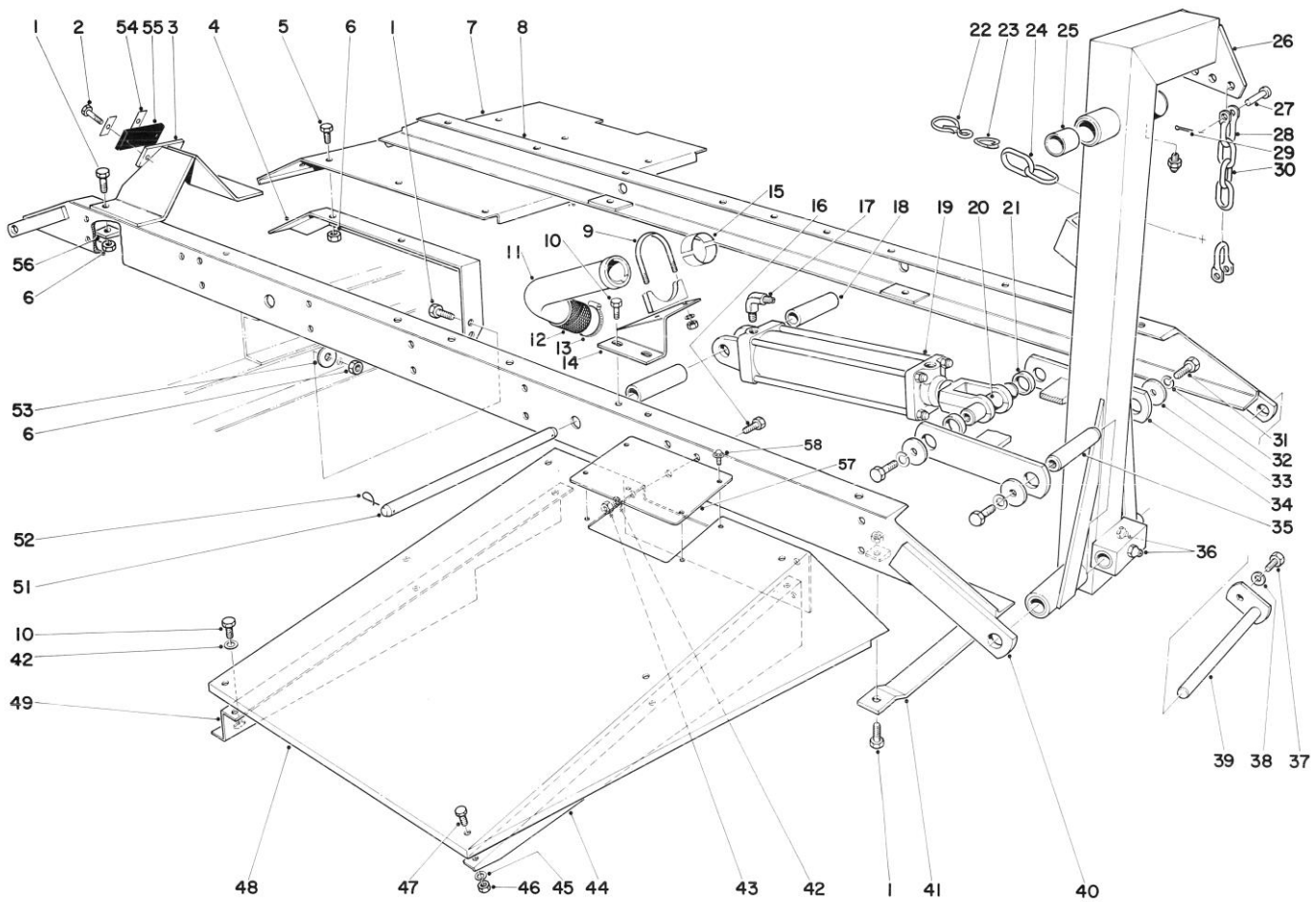
*Not Illustrated



MAIN FRAME ASSEMBLY — Front Parkmaster 7

Ref. No.	Part No.	Description	No. Used
1	3-0112	Sheave Bracket	1
2	325-18	Capscrew	5
3	32146-13	Locknut	27
4	3290-216	Bevel Washer	8
5	325-8	Capscrew	8
6	325-5	Capscrew	2
7	3-0236	Hose Clip	2
8	3-4608	Channel R.H.	1
9	32146-6	Locknut	4
10	3-4250	Tube	2
11	3-4606	Channel L.H.	1
12	3-0152	Pin	2
13	302-5	Grease Fitting	4
14	5-1996	Front Arm (Incl. Ref. No. 15)	2
15	3-0348	Bushing	12
16	3272-10	Cotter Pin	2

Ref. No.	Part No.	Description	No. Used
17	5-2942	Shackle	2
18	283-6	Clevis Pin	2
19	5-1706	Spring	2
20	327-5	Capscrew	4
21	3256-30	Washer	2
22	5-3126	Spring Pin	2
23	5-1998	Bracket (Incl. Ref. No. 15)	2
24	5-5041	Decal	1
25	3253-8	Lockwasher	4
26	3217-11	Nut	4
27	3-6690	Tube L.H.	1
28	3-0136	Chain Keeper	5
29	3-2196	Sheave	5
30	3-6680	Tube R.H.	1
31	325-6	Capscrew	8
32	325-7	Capscrew	10

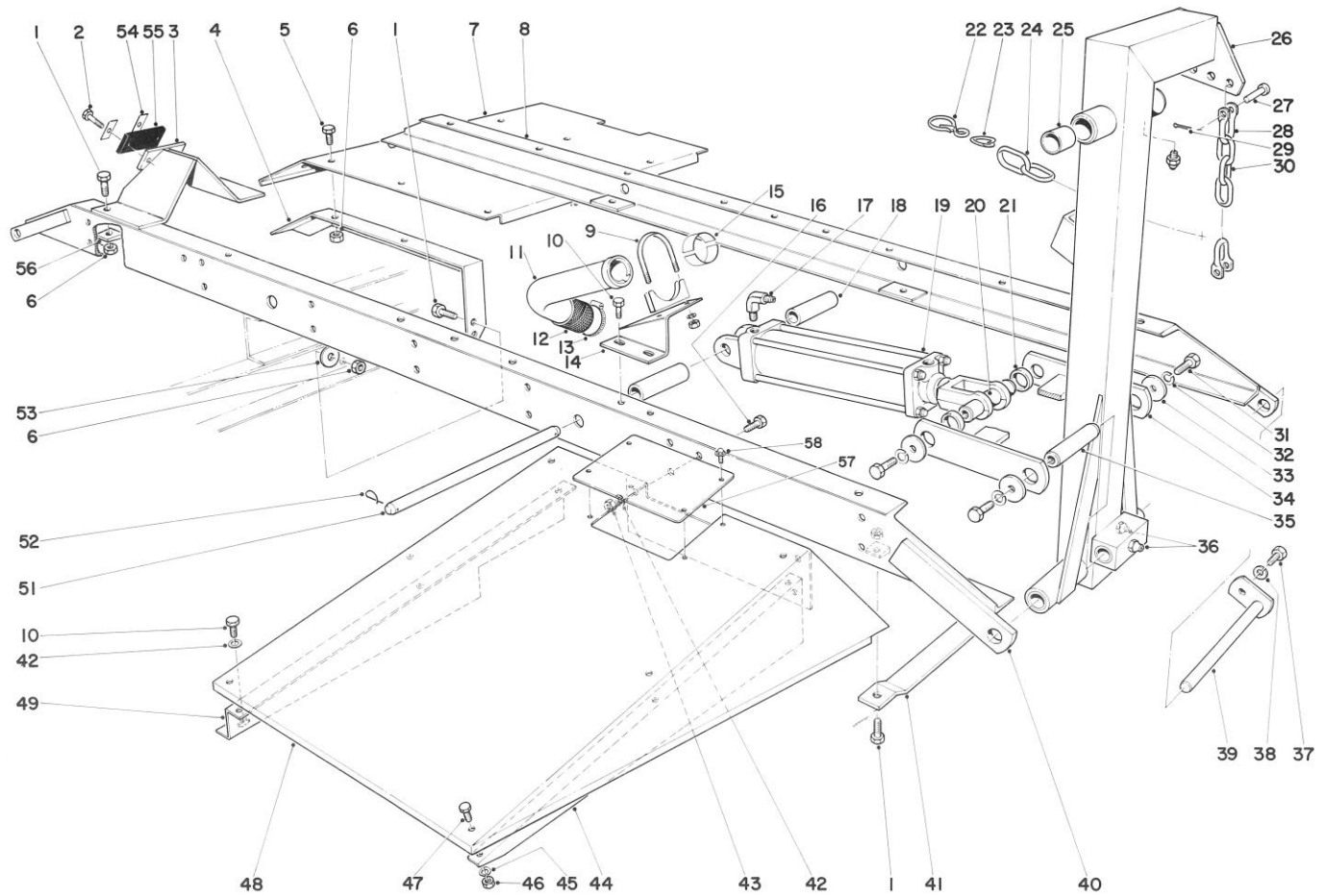


MAIN FRAME ASSEMBLY — Front Center Parkmaster 7

Ref. No.	Part No.	Description	No. Used
1	325-6	Capscrew	18
2	3290-319	Machine Screw	4
3	11-5630	Stop Arm	2
4	3-6520	Bracket	4
5	325-3	Capscrew	16
6	32146-13	Locknut	36
7	3-4596	Mudguard R.H.	1
*	3-4597	Mudguard L.H.	1
8	11-4100	Front Cross Channel, Rear	1
9	18-8590	Clamp	1
10	32104-6	Self-Tapping Screw	6
11	18-2410	Fill Tube	1
12	18-2790	Extension Hose	1
13	2412-42	Hose Clamp	2
14	18-2420	Fill Tube Bracket	1
15	18-8600	Saddle	2
16	323-6	Capscrew	6
17	5-6560	Elbow (78)	4
18	20-4390	Tube Spacer	4
19	20-3570	Cylinder 12"	2
20	3-0128	Shaft	4
21	20-4370	Tube Spacer	4
22	286-3	Snap Hook	4

Ref. No.	Part No.	Description	No. Used
23	287-2	Cold Shut	4
24	3-1365	Safety Chain (15 Links)	2
25	3-0348	Bushing	16
26	19-6130	Lift Arm L.H. No. 6 (Incl. Ref. No. 25)	1
*	19-6120	Lift Arm R.H. No. 7 (Incl. Ref. No. 25)	1
27	283-10	Pin	4
28	5-2942	Shackle	4
29	3272-10	Cotter Pin	4
30	3-4636	Lift Chain (7 Links)	2
31	3211-4	Screw	8
32	3253-5	Lockwasher	8
33	5-1720	Washer	8
34	10-0700	Link	2
35	3-0128	Shaft	4
36	302-5	Grease Fitting	6
37	322-3	Capscrew	2
38	3254-4	Lockwasher	2
39	8-0390	Bail Lift Pin	2
40	11-5610	Front Cross Channel, Front	1
41	20-4440	Cylinder Rest	2
42	3256-24	Lockwasher	10

*Not Illustrated

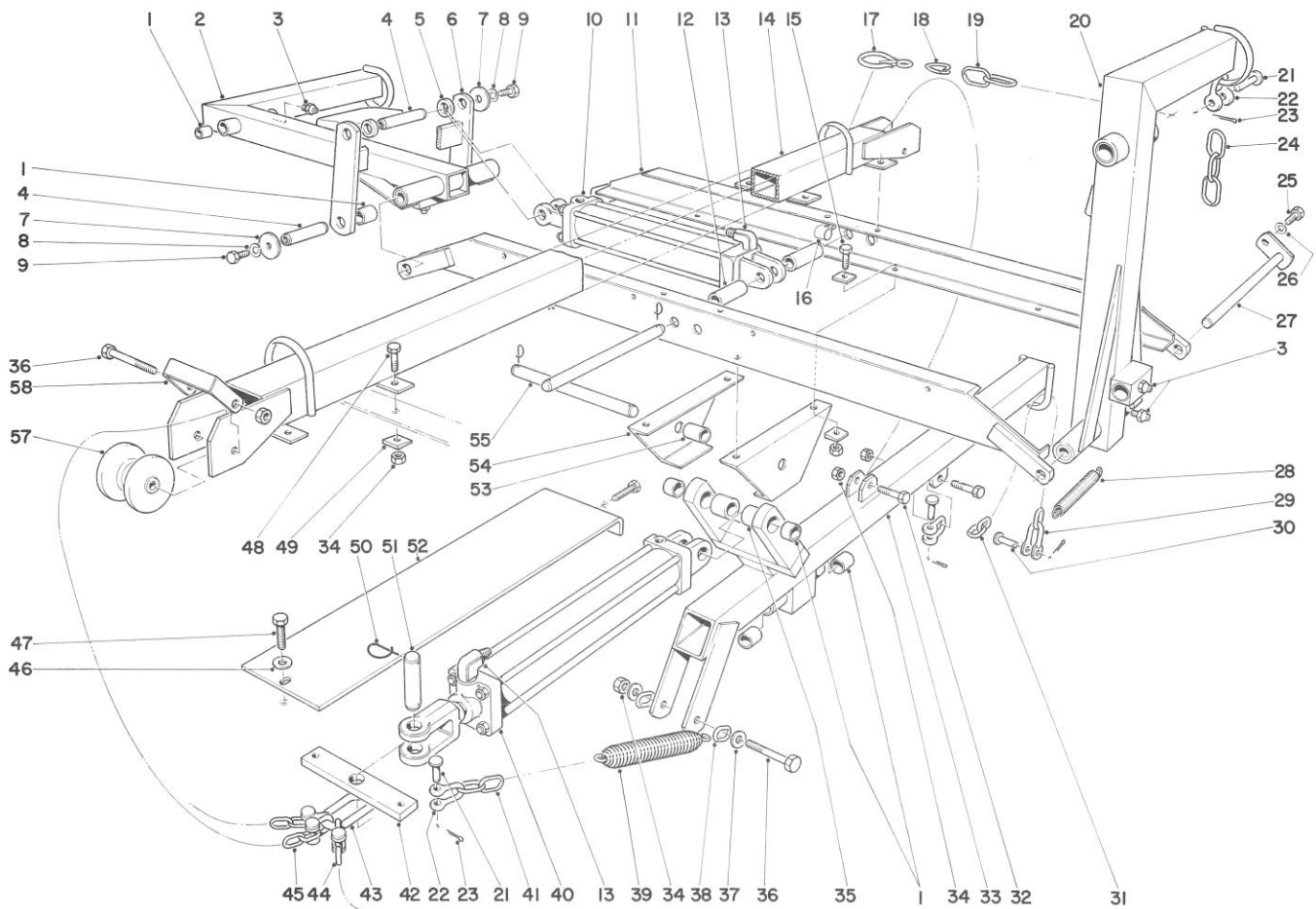


MAIN FRAME ASSEMBLY — Front Center Parkmaster 7 (Continued)

Ref. No.	Part No.	Description	No. Used
43	32146-2	Nut	6
44	5-2262	Fender Brace	2
45	3253-4	Lockwasher	12
46	3217-6	Nut	12
47	322-2	Capscrew	12
48	21-5480	Fender L.H.	1
*	21-5490	Fender R.H.	1
49	5-2263	Fender Mount L.H.	1

Ref. No.	Part No.	Description	No. Used
*	5-2264	Fender Mount R.H.	1
51	3-0144	Shaft	2
52	5-3126	Spring Pin	4
53	3-1615	Spacer	2
54	11-5270	Washer Bumper	4
55	11-4590	Bumper Pad	2
56	3290-216	Bevel Washer	20
57	21-5610	Cover	2
58	32104-77	Self Tapping Screw	8

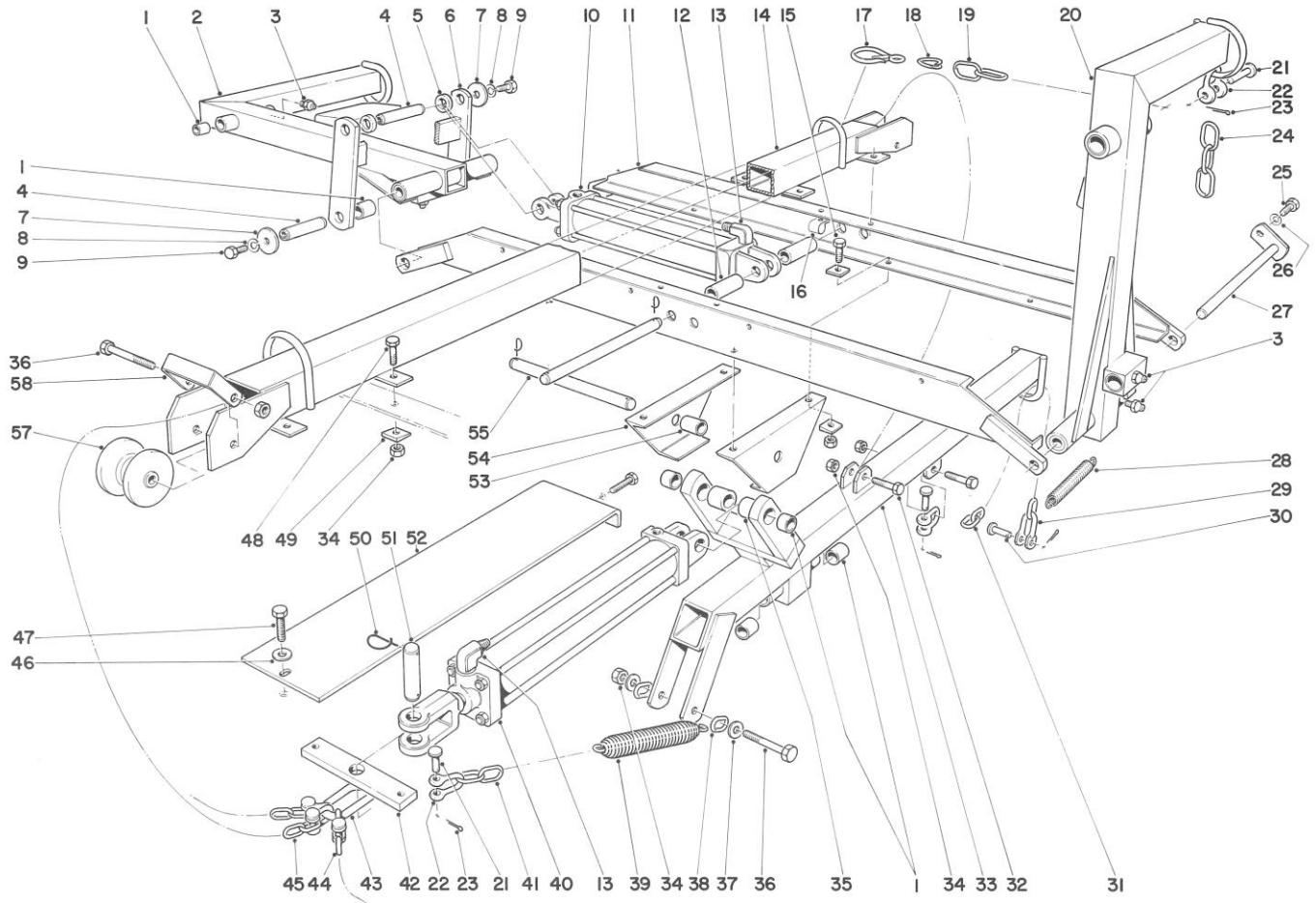
*Not Illustrated



MAIN FRAME ASSEMBLY — Rear Parkmaster 7

Ref. No.	Part No.	Description	No. Used
1	3-0348	Bushing	36
2	10-1940	Short Arm R.H. (Incl. Ref. No. 1)	1
3	302-5	Grease Fitting	6
4	3-0128	Shaft	4
5	20-4370	Tube Spacer	4
6	10-0700	Link	2
7	5-1720	Washer	8
8	3253-5	Lockwasher	8
9	3211-4	Capscrew	8
10	20-3580	Cylinder 10"	2
11	8-1280	Rear Cross Channel	2
12	20-4390	Tube Spacer	4
13	5-6560	Elbow (78)	4
14	3-0105	Channel Brace	1
15	325-7	Capscrew	4
16	304-61	Hose Clamp	1
17	286-3	Snap Hook	4
18	287-2	Cold Shut	4
19	3-1365	Safety Chain (15 Links)	4
20	10-1970	Short Arm L.H. (Incl. Ref. No. 1)	1
21	283-10	Pin	7

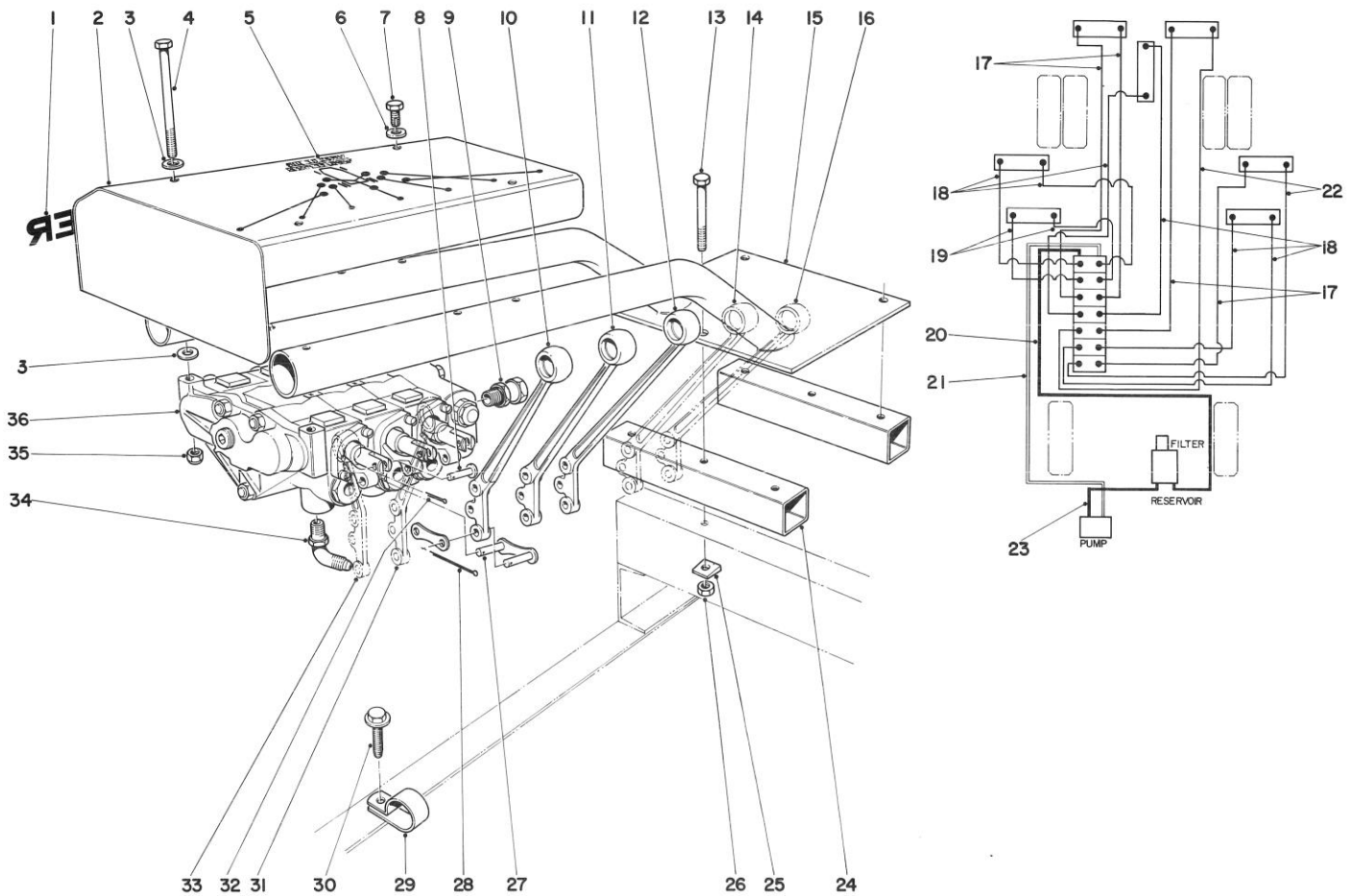
Ref. No.	Part No.	Description	No. Used
22	8-0280	Yoke	7
23	3272-10	Cotter Pin	10
24	3-4636	Chain (7 Links)	2
25	322-3	Capscrew	2
26	3253-4	Lockwasher	2
27	8-0390	Bail Lift Pin	2
28	5-1706	Spring	3
29	5-2942	Shackle	3
30	283-6	Clevis Pin	3
31	3-1364	Chain (36 Links)	1
32	325-9	Capscrew	2
33	3-0224	Rear Lift Arm	1
34	32146-13	Locknut	13
35	20-4420	Spacer	2
36	325-18	Capscrew	3
37	3256-26	Washer	2
38	2830-8	Link	2
39	5-0743	Spring	2
40	20-3570	Cylinder 12"	1
41	3-0295	Chain (22 Links)	2
42	3-0288	Link	1
43	3-0326	Ring	1
44	5-5130	Chain (59 Links)	2



MAIN FRAME ASSEMBLY — Rear Parkmaster 7 (Continued)

Ref. No.	Part No.	Description	No. Used
45	3-4602	Chain (90 Links)	1
46	3256-24	Flatwasher	1
47	32104-6	Screw	2
48	325-7	Capscrew	6
49	3290-216	Bevel Washer	10
50	5-3126	Spring Pin	8
51	20-4380	Pin	1

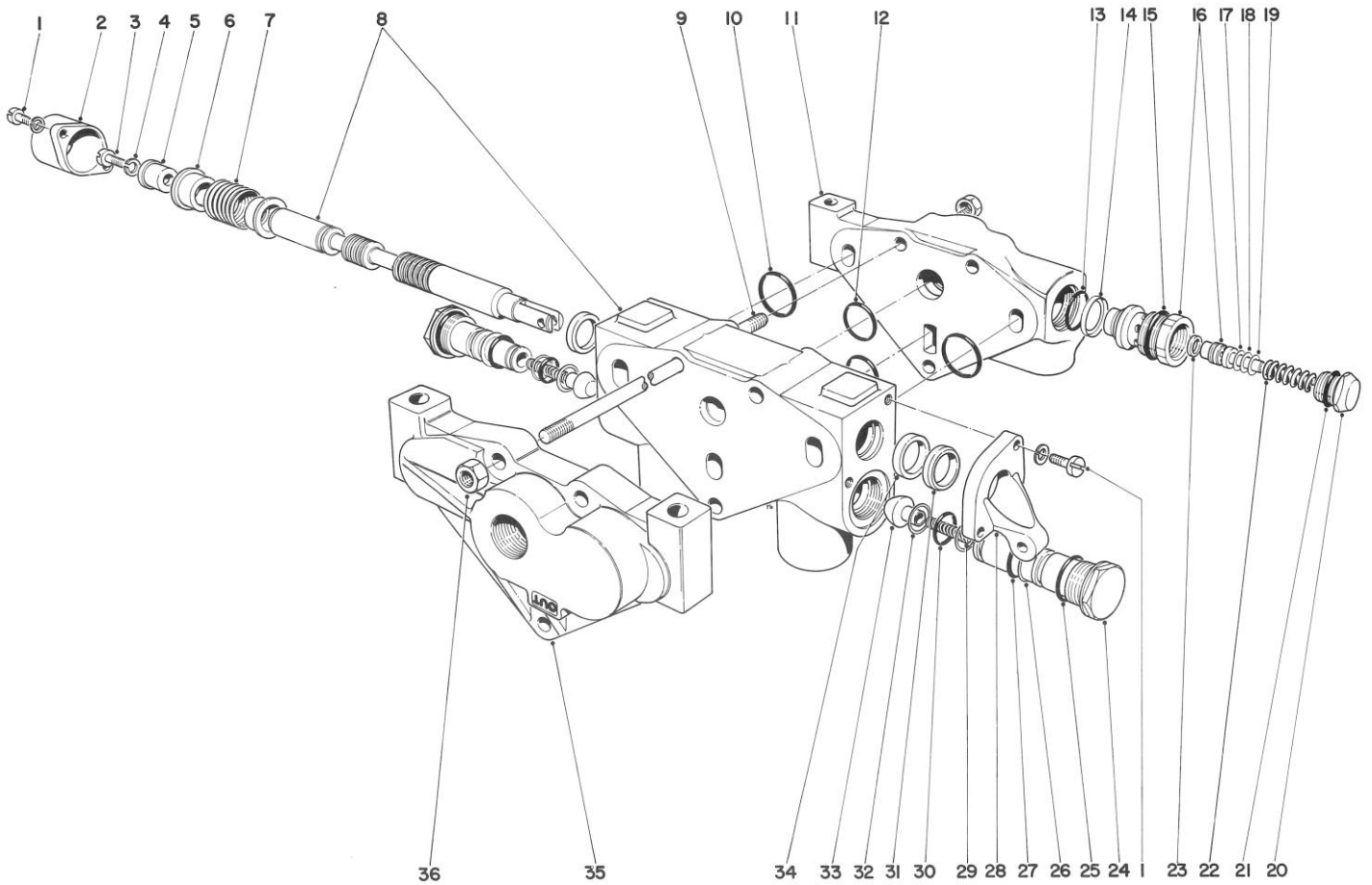
Ref. No.	Part No.	Description	No. Used
52	18-2620	Plate	1
53	3-0145	Spacer	2
54	3-0146	Channel	2
55	3-0144	Shaft	3
57	3-2196	Sheave	2
58	3-0136	Chain Keeper	2



VALVE BANK — Parkmaster 9

Ref. No.	Part No.	Description	No. Used
1	19-2280	Decal	1
2	11-4730	Valve Cover	1
3	3256-23	Washer	6
4	322-29	Capscrew	3
5	11-4770	Decal	1
6	3256-24	Washer	1
7	32104-6	Self-Tapping Screw	1
8	353-322	Pin	7
9	353-433	Straight Swivel	2
10	5-7840	Lever Modified	1
11	353-323	Lever	1
12	5-7830	Lever Modified	1
13	325-13	Capscrew	3
14	5-7860	Lever Modified	1
15	11-4750	Valve Stand	1
16	11-4780	Lever Modified	1
17	5-0230	Hydraulic Hose 102"	4
18	5-0200	Hydraulic Hose 77"	6

Ref. No.	Part No.	Description	No. Used
19	5-0220	Hydraulic Hose 46"	2
20	18-3250	Low Pressure Hose	1
21	18-3240	High Pressure Hose	1
22	5-0210	Hydraulic Hose 116"	2
23	18-2350	Suction Hose	1
24	3-0166	Tube Spacer	2
25	3290-216	Bevel Washer	3
26	32146-13	Locknut	3
27	353-319	Connecting Link	7
28	353-320	Cotter Pin	7
29	2412-39	Hose Clamp	1
30	11-0590	Self-Tapping Screw	1
31	5-7850	Modified Lever	1
32	353-321	Cotter Pin	7
33	11-4790	Modified Lever	1
34	353-212	Male Elbow	14
35	32146-5	Locknut	3
36	11-4800	Complete Valve Bank Assy.	1

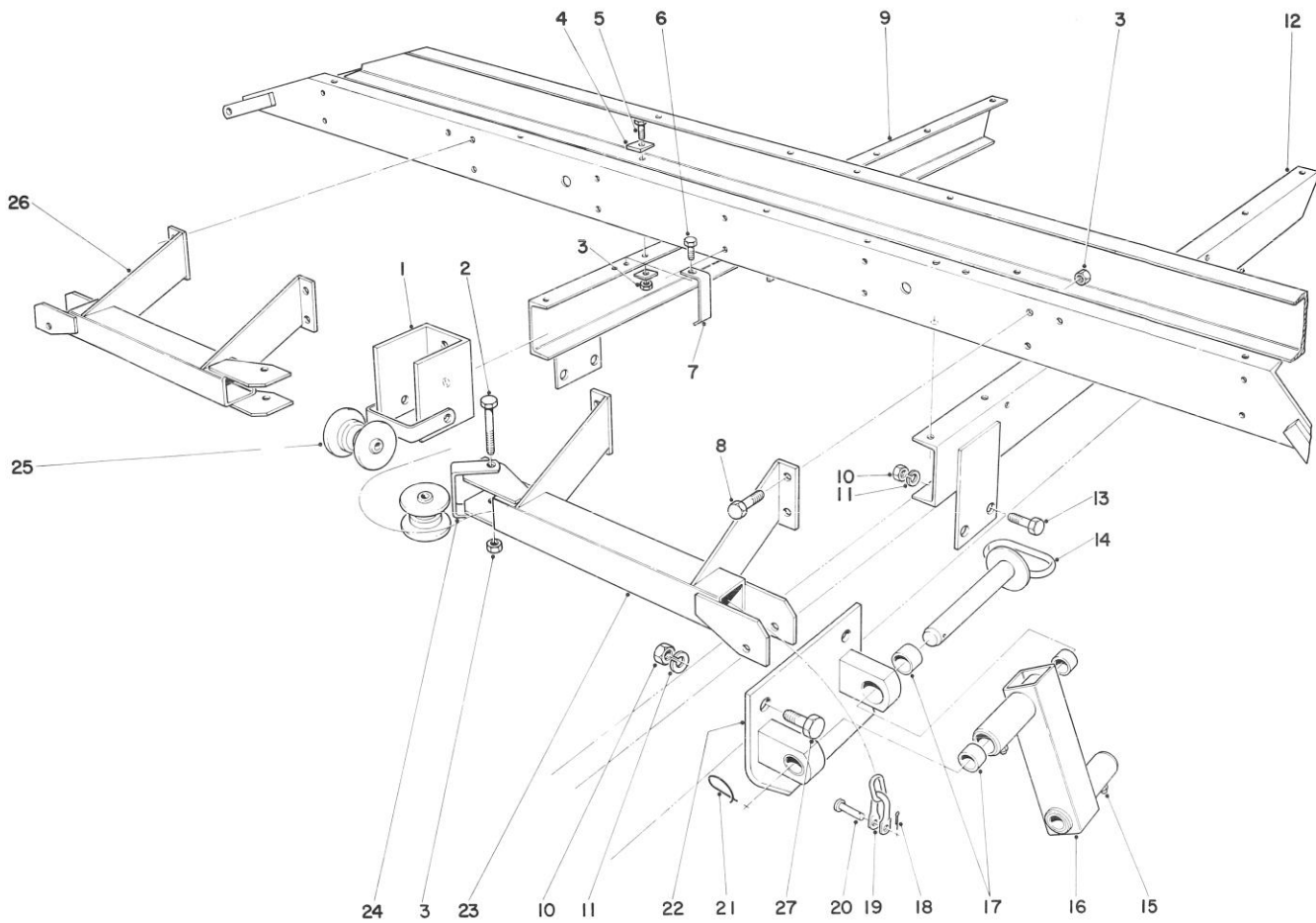


HYDRAULIC VALVE ASSEMBLY — Parkmaster 9

Ref. No.	Part No.	Description	No. Used
1	353-315	Screw & Washer Assy.	28
2	353-310	Bonnet	7
3	353-312	Screw	7
4	353-314	Washer	7
5	353-313	Spool Collar	7
6	353-311	Stop-Collar	14
7	353-309	Spring	7
8	353-317	Housing & Spool Assy.	7
9	353-395	Stud	3
10	353-339	Section Seal	16
11	353-337	End Cover	1
12	353-340	Section Seal, Pressure	16
13	353-399	O-Ring	1
14	353-391	Seal, Back Up	1
15	353-331	O-Ring Seal	1
16	353-336	Rel. Body & Rel. Poppet Assy. (Incl. Ref. No. 23)	1
17	353-328	Shim (.040)	1
18	353-329	Shim (.020)	1
19	353-330	Shim (.010)	1

Ref. No.	Part No.	Description	No. Used
20	353-334	Cap, Relief Valve	1
21	353-308	O-Ring Cylinder Port Plug	1
22	353-398	Spring	1
23	353-392	Piston Ring	1
24	353-307	Lift Check Plug	14
25	353-308	O-Ring Cylinder Port	14
26	353-306	Back-Up Washer Cover	14
27	353-305	O-Ring Check	14
28	353-324	Handle Bracket	7
29	353-304	Lift Check Spring	14
30	353-302	O-Ring, Check Plug Seal (Inner)	14
31	353-318	Secondary Spool Wiper Seal	7
32	353-303	Back-Up Washer (Inner)	28
33	353-301	Lift Check Poppet	14
34	353-316	Spool Seal	14
35	353-338	End Cover	1
36	353-343	Locknut	6
*	5-8060	Valve Section Complete (Incl. Ref. Nos. 1-8 & 24-34)	7

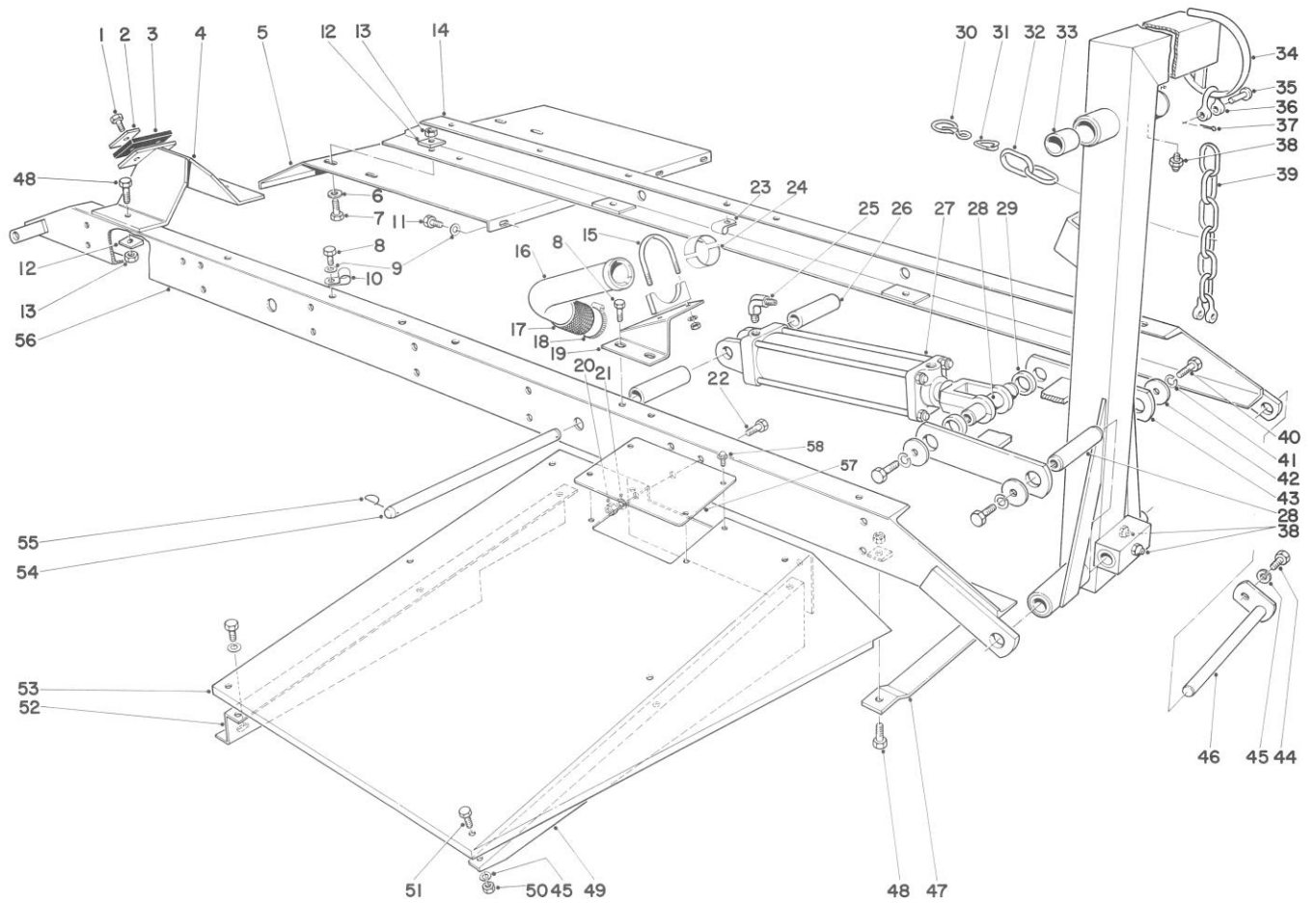
*Not illustrated



MAIN FRAME ASSEMBLY — Front Parkmaster 9

Ref. No.	Part No.	Description	No. Used
1	3-0112	Sheave Bracket	1
2	325-18	Capscrew	5
3	32146-13	Locknut	23
4	3290-216	Bevel Washer	16
5	325-8	Capscrew	8
6	32104-6	Self-Tapping Screw	2
7	11-4630	Hose Retainer	2
8	325-5	Capscrew	10
9	11-3980	Side Channel R.H.	1
10	3217-11	Nut	12
11	3253-8	Lockwasher	12
12	11-4000	Side Channel L.H.	1
13	327-4	Capscrew	8
14	3-0152	Pin	2

Ref. No.	Part No.	Description	No. Used
15	302-5	Grease Fitting	4
16	5-1996	Lift Arm Nos. 2 & 3 (Incl. Ref. No. 17)	2
17	3-0348	Bushing	8
18	3272-10	Cotter Pin	2
19	5-2942	Long Shackle	2
20	283-10	Pin	2
21	5-3126	Spring Pin	2
22	5-1998	Bracket	2
23	3-6690	Tube L.H.	1
24	3-0136	Chain Keeper	5
25	3-2196	Sheave	5
26	3-6680	Tube R.H.	1
27	327-5	Capscrew	4

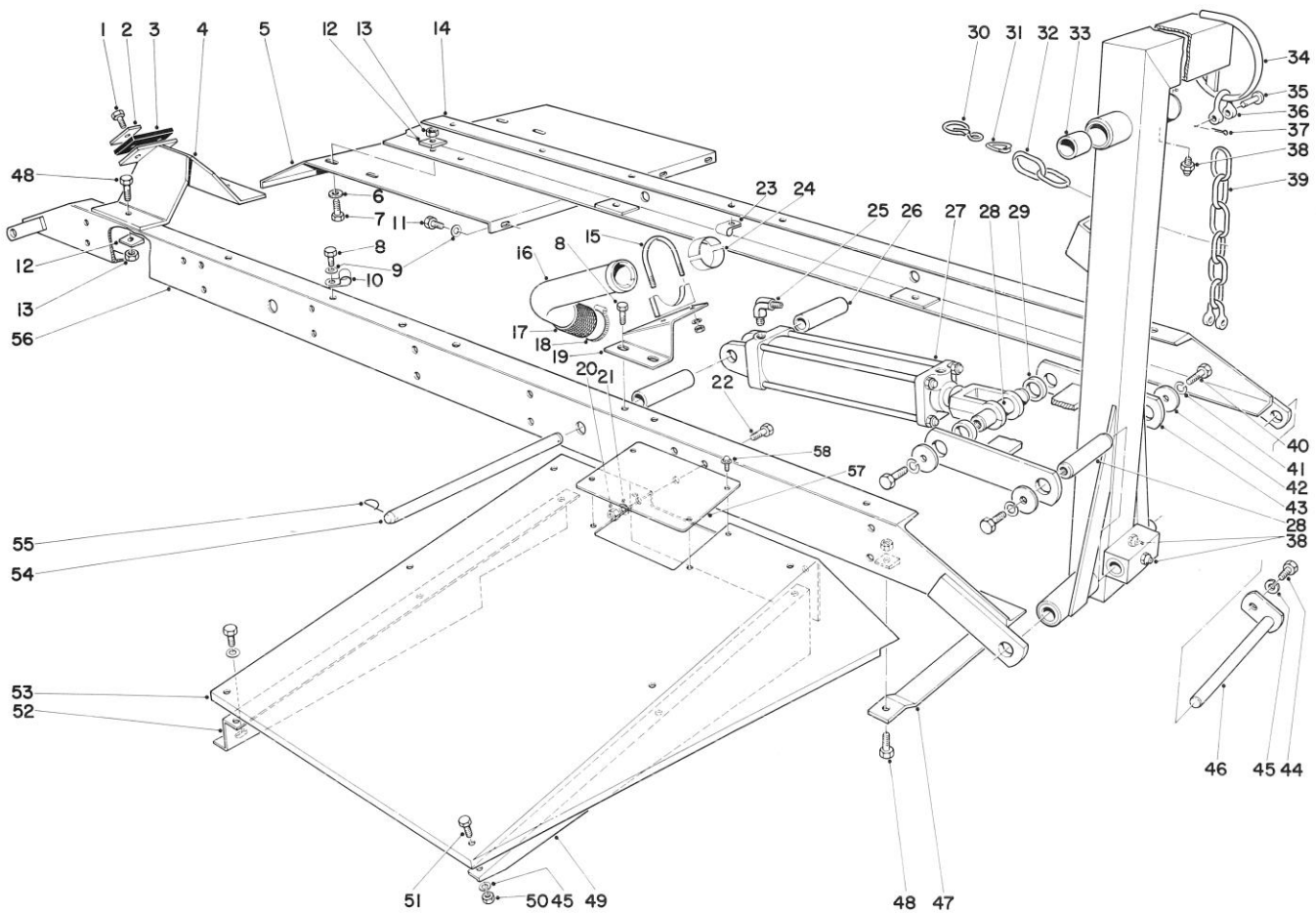


MAIN FRAME ASSEMBLY — Front Center Parkmaster 9

Ref. No.	Part No.	Description	No. Used
1	3290-319	Machine Screw	4
2	11-5270	Bumper Washer	4
3	11-4590	Bumper Pad	4
4	11-5630	Stop	2
5	11-4620	Fender R.H.	1
*	11-4610	Fender L.H.	1
6	3256-26	Washer	4
7	325-5	Capscrew	4
8	32104-6	Self-Tapping Screw	3
9	3256-24	Washer	9
10	2412-39	Hose Clamp	1
11	32104-98	Self-Tapping Screw	8
12	3290-216	Bevel Washer	12
13	32146-13	Locknut	12
14	11-4100	Rear Cross Channel	1
15	18-8590	Fuel Tank Extension Clamp	1
16	18-2410	Fill Tube	1
17	18-2790	Extension Hose	1
18	2412-42	Hose Clamp	2
19	18-2420	Fill Tube Bracket	1
20	32146-2	Nut	6
21	3256-24	Lockwasher	6
22	323-6	Capscrew	6

Ref. No.	Part No.	Description	No. Used
23	304-61	Hose Clamp	1
24	18-8600	Saddle	2
25	5-6560	Elbow (No. 78)	4
26	20-4390	Spacer Tube	4
27	20-3570	Cylinder 12"	2
28	3-0128	Shaft	4
29	20-4370	Spacer	4
30	286-3	Safety Hook	4
31	287-2	Cold Shut	4
32	3-1365	Chain (15 Links)	2
33	3-0348	Bushing	8
34	11-4220	Lift Arm (No. 6)	1
		(Incl. Ref. No. 33)	
*	11-4250	Lift Arm (No. 7)	1
		(Incl. Ref. No. 33)	
35	283-10	Pin	4
36	8-0280	Short Shackle	4
37	3272-10	Cotter Pin	4
38	302-5	Grease Fitting	6
39	11-4260	Lift Chain (6 Links)	2
40	3211-2	Capscrew	8
41	3253-5	Lockwasher	8
42	5-1720	Washer	8

*Not Illustrated

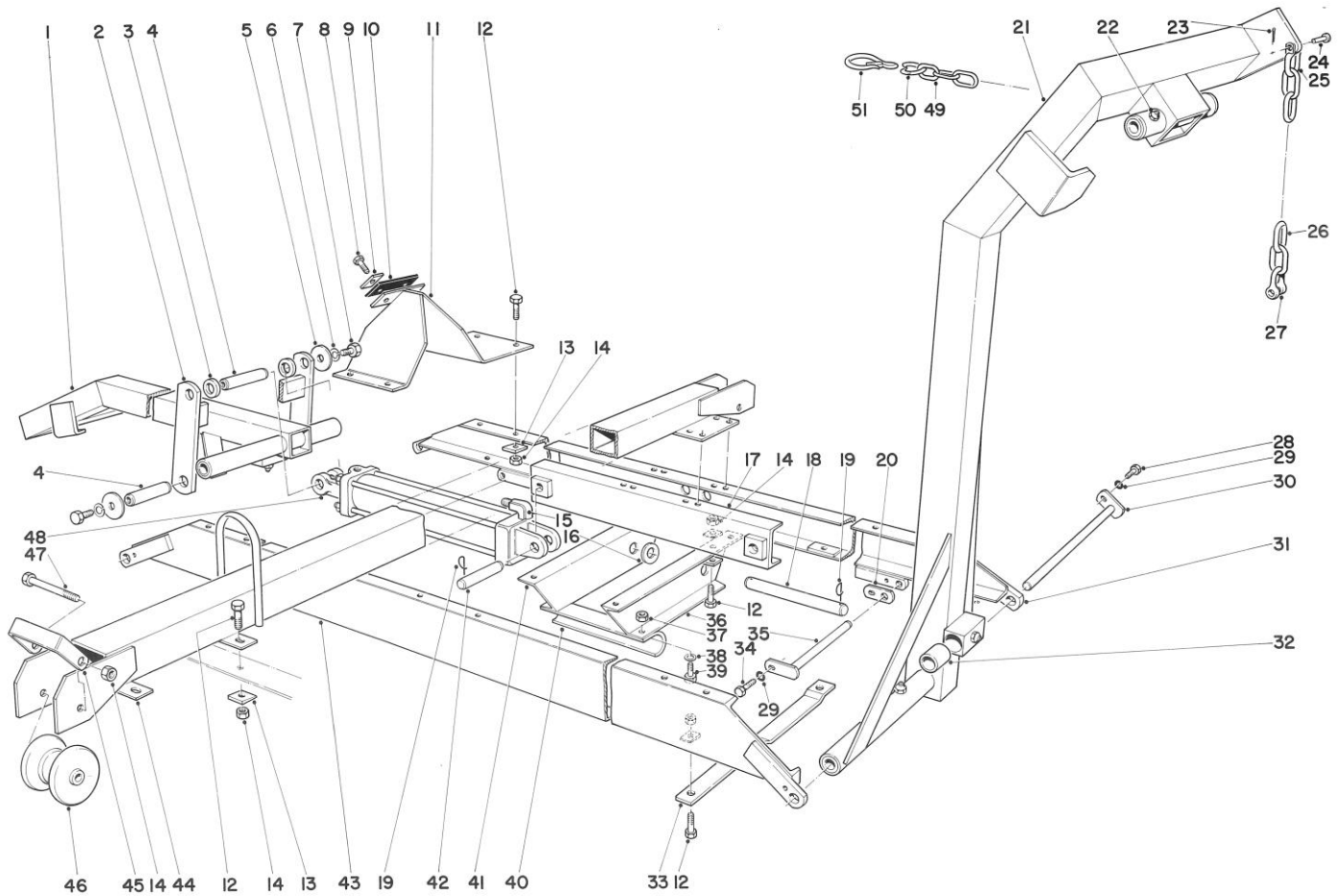


MAIN FRAME ASSEMBLY — Front Center Parkmaster 9 (Continued)

Ref. No.	Part No.	Description	No. Used
43	10-0700	Link	2
44	322-3	Capscrew	2
45	3253-4	Lockwasher	14
46	8-0390	Lift Bail Pin	2
47	20-4440	Cylinder Rest	2
48	325-6	Capscrew	8
49	5-2262	Fender Brace	2
50	3217-6	Nut	12
51	322-2	Capscrew	12

Ref. No.	Part No.	Description	No. Used
52	5-2263	Fender Mount L.H.	1
*	5-2264	Fender Mount R.H.	1
53	21-5480	Fender L.H.	1
*	21-5490	Fender R.H.	1
54	3-0144	Shaft	2
55	5-3126	Spring Pin	4
56	11-5610	Front Cross Channel (Front Pos.)	1
57	21-5610	Cover Fender	2
58	32104-77	Self Tapping Screw	8

*Not Illustrated

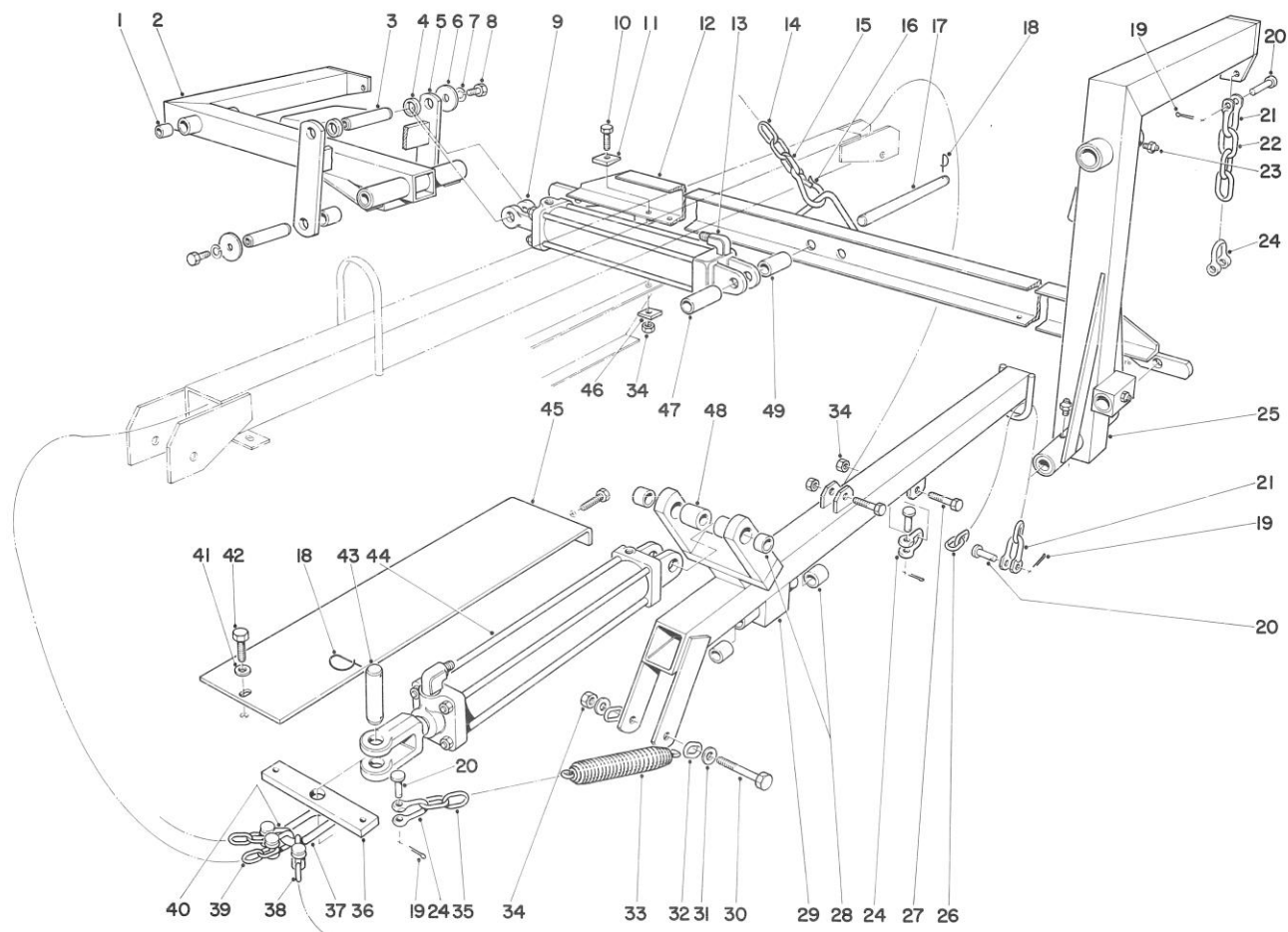


MAIN FRAME ASSEMBLY — Rear Center Parkmaster 9

Ref. No.	Part No.	Description	No. Used
1	11-4280	Lift Arm No. 9 (Incl. Ref. No. 32)	1
2	11-4470	Link	2
3	20-4370	Spacer	4
4	11-4490	Shaft	4
5	5-1720	Washer	8
6	3253-5	Lockwasher	8
7	3211-2	Capscrew	8
8	3290-319	Machine Screw	4
9	11-5270	Washer, Bumper	4
10	11-4590	Pad, Bumper	2-6
11	11-4540	Stop, R. H.	1
*	11-4580	Stop, L. H.	1
12	325-6	Capscrew	32
13	3290-216	Bevel Washer	38
14	32146-13	Locknut	34
15	11-9800	Elbow (55)	4
16	3256-30	Washer	2
17	11-4440	Mount, Cylinder	1
18	3-0144	Shaft	1
19	5-3126	Pin, Spring	6
20	8-0410	Tab, Lift Arm	2
21	11-4270	Lift Arm No. 8 (Incl. Ref. No. 32)	1
22	302-5	Grease Fitting	6
23	3272-10	Cotter Pin	4
24	283-10	Pin	4
25	5-2942	Shackle	2
26	3-4636	Lift Chain (7 Links)	2

Ref. No.	Part No.	Description	No. Used
27	8-0280	Shackle	2
28	322-3	Capscrew	2
29	3253-4	Lockwasher	4
30	11-4380	Lift Pin	2
31	11-4060	Center Cross Channel, Rear Position	1
32	3-0348	Bushing	16
33	20-4430	Rest, Cylinder	2
34	322-5	Capscrew	2
35	8-0390	Pin, Bail Lift	2
36	11-4160	Channel, L. H.	1
37	32146-3	Locknut	2
38	3256-24	Washer	2
39	323-6	Capscrew	2
40	11-4170	Chain Guide	1
41	11-4150	Channel, R. H.	1
42	20-4380	Pin	2
43	11-4080	Front Cross Channel, Rear Position	1
44	11-4120	Channel Brace	1
45	3-0136	Chain, Keeper	2
46	3-2196	Sheave	2
47	325-18	Capscrew	2
48	20-3570	Cylinder 12"	2
49	11-4710	Safety Chain	1
50	287-2	Cold Shut	2
51	286-3	Snap Hook	2

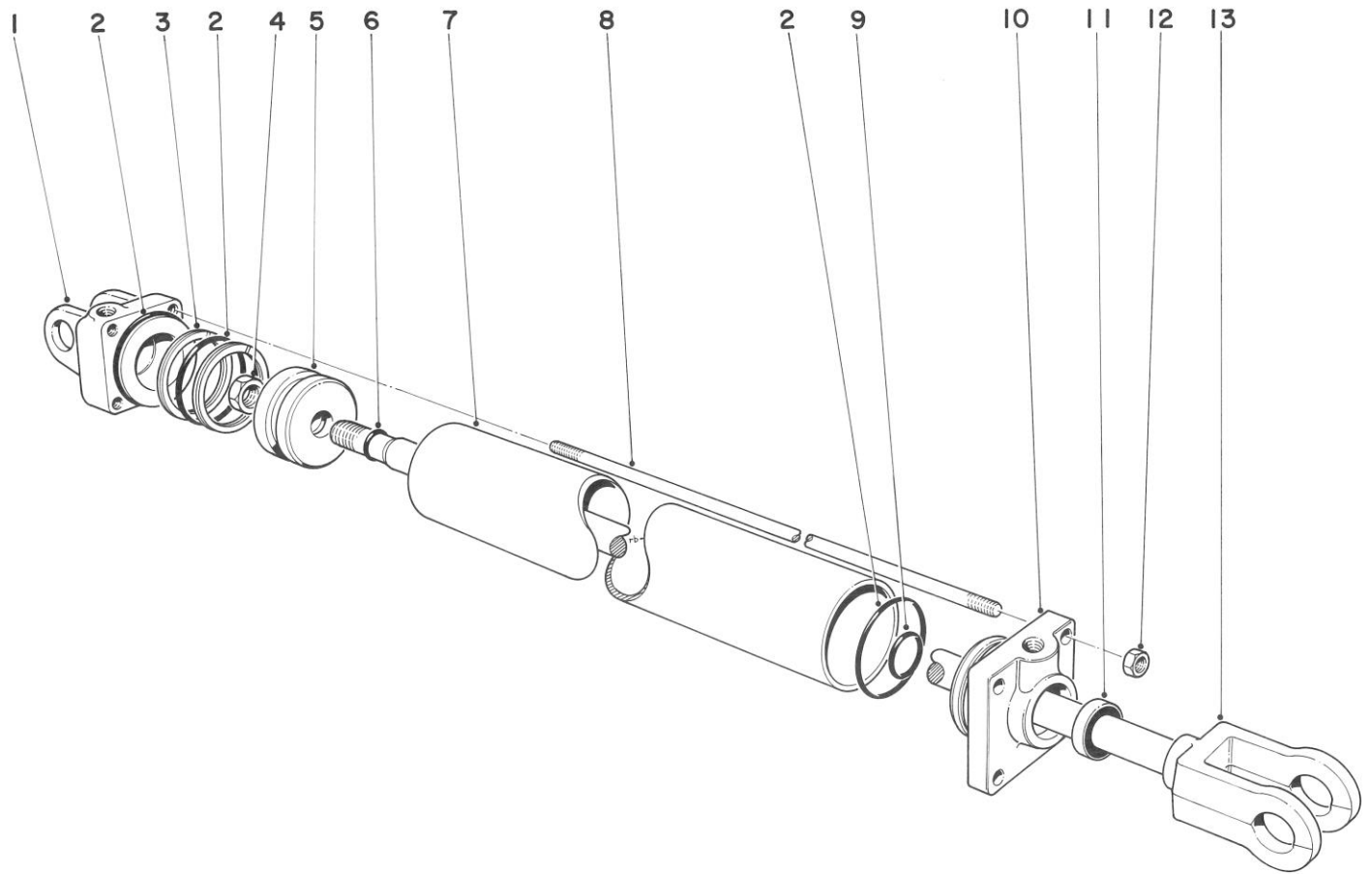
* Not Illustrated



MAIN FRAME ASSEMBLY — Rear Parkmaster 9

Ref. No.	Part No.	Description	No. Used
1	3-0348	Bushing	16
2	11-4210	Lift Arm (No. 5) (Incl. Ref. No. 1)	
3	3-0128	Shaft	4
4	20-4370	Spacer	4
5	10-0700	Link	2
6	5-1720	Washer	8
7	3253-5	Lockwasher	8
8	3211-2	Capscrew	8
9	20-3580	Cylinder 10"	2
10	325-11	Capscrew	2
11	11-4920	Bevel Washer	2
12	11-5210	Rear Cross Channel (Rear Pos.)	1
13	5-6560	Elbow (No. 78)	6
14	11-4710	Safety Chain (35 Links)	1
15	287-2	Cold Shut	2
16	286-3	Snap Hook	2
17	3-0144	Shaft	2
18	5-3126	Spring Pin	6
19	3272-10	Cotter Pin	11
20	283-10	Pin	11
21	5-2942	Shackle (Long)	3
22	12-0400	Lift Chain (9 Links)	2
23	302-5	Grease Fitting	7
24	8-0280	Short Shackle	5

Ref. No.	Part No.	Description	No. Used
25	11-4180	Lift Arm (Incl. Ref. No. 4)	1
26	11-6020	Lift Chain (28 Links)	1
27	325-9	Capscrew	2
28	3-0348	Bushing	4
29	11-5670	Rear Lift Arm 1 (Incl. Ref. No. 28)	1
30	325-17	Capscrew	1
31	3256-26	Washer	2
32	2830-8	Link	2
33	5-0743	Spring	2
34	32146-13	Locknut	5
35	3-0295	Chain (22 Links)	2
36	3-0288	Link	1
37	3-0326	Ring	1
38	11-4530	Lift Chain (52 Links)	2
39	11-4520	Rear Mower Chain (77 Links)	1
40	8-0280	Chain Shackle	2
41	3256-24	Washer	1
42	32104-6	Self-Tapping Screw	2
43	20-4380	Pin	1
44	20-3570	Cylinder 12"	1
45	18-2620	Plate	1
46	3290-216	Bevel Washer	2
47	20-4400	Spacer	2
48	20-4360	Spacer	2
49	20-4410	Spacer	2

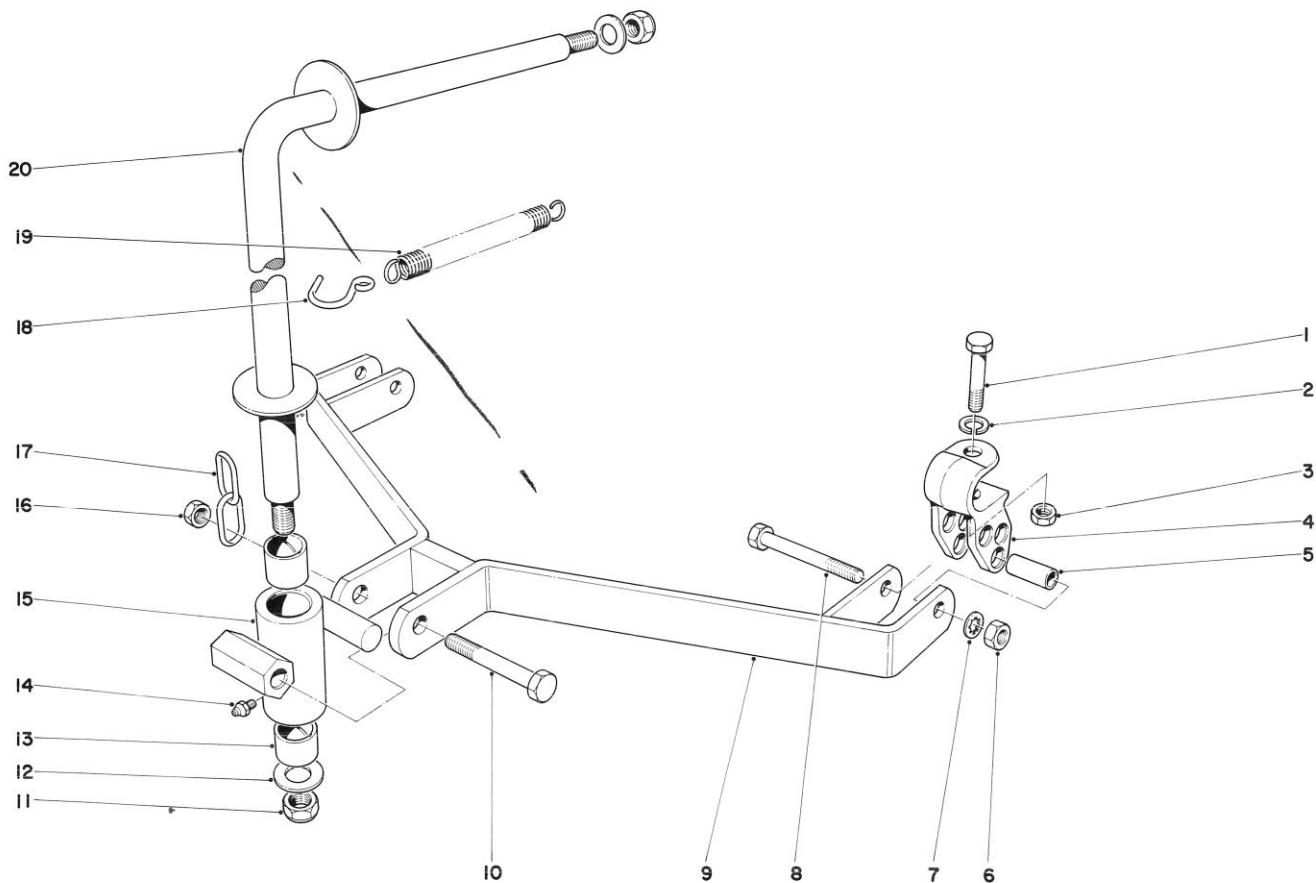


10" AND 12" CYLINDERS — Parkmaster 7 and 9

Ref. No.	Part No.	Description	No. Used
1	20-3590	Cap, End	1
2	20-3660	Seal, Piston	3
3	20-3610	Washer, Backup	2
4	20-3700	Nut	1
5	20-3600	Piston	1
6	20-3710	"O" Ring	1
7	20-3650	Barrel — 10"	1
*	20-3640	Barrel — 12"	1
8	20-3730	Tie Rod — 10"	4

Ref. No.	Part No.	Description	No. Used
*	20-3720	Tie Rod — 12"	4
9	20-3670	Seal, Rod	2
10	20-3680	Cylinder Head	1
11	20-3740	Rod, Wiper	1
12	20-3690	Nut	8
13	20-3630	Piston Rod — 10"	1
*	20-3620	Piston Rod — 12"	1
*	20-3750	Seal Kit (Incl. Ref. Nos. 2, 3, 6, 9, 10 & 12)	1

* Not Illustrated



DRAWBAR ASSEMBLY — Parkmaster 5, 7 and 9

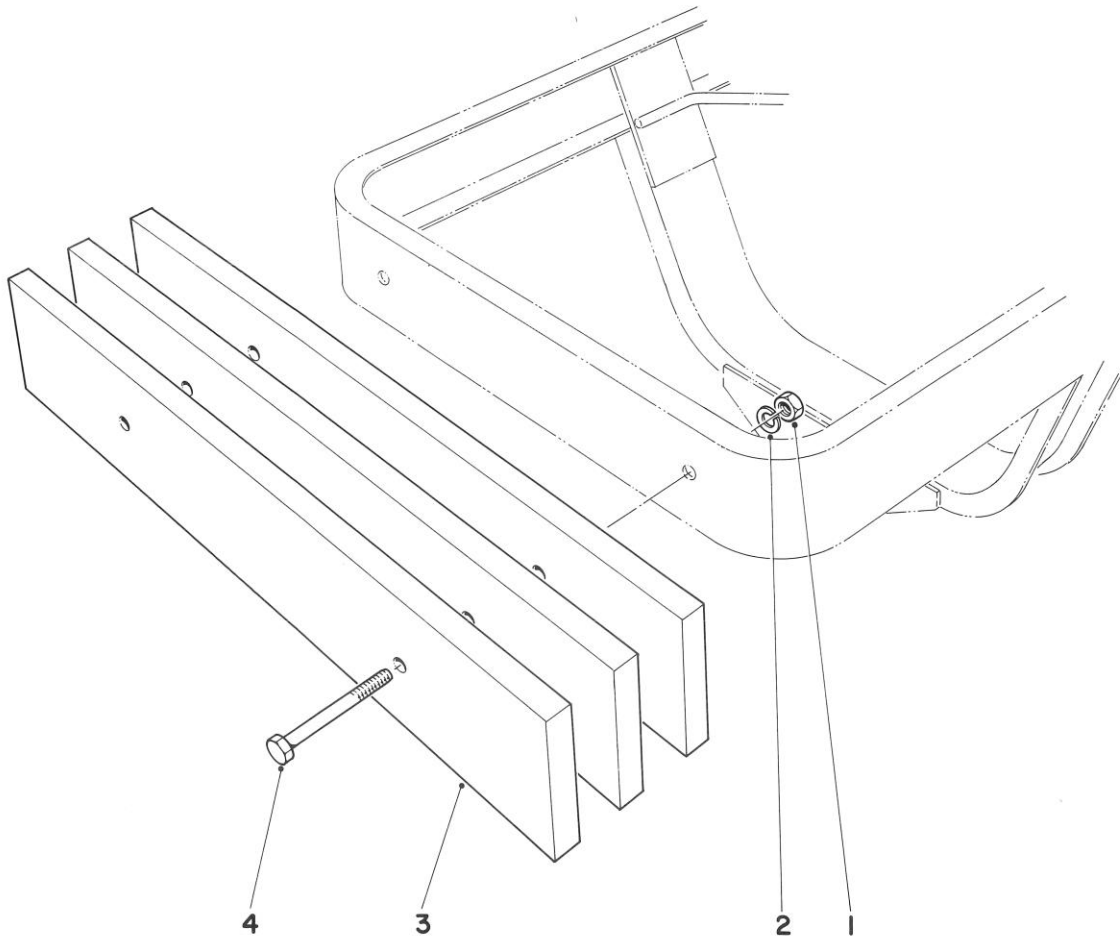
Ref. No.	Part No.	Description	No. Used		
			5-Un.	7-Un.	9-Un.
1	324-10	Capscrew	10	14	18
2	3253-6	Lockwasher	10	14	18
3	3217-8	Nut	10	14	18
4	5-1090	Clamp, Drawbar	10	14	18
5	5-1091	Spacer	10	14	18
6	3217-9	Nut	10	14	18
7	3254-4	Lockwasher	10	14	18
8	325-14	Capscrew	10	14	18
9	3-9280	Drawbar	5	7	9
10	325-17	Capscrew	5	7	9
11	3296-50	Locknut	10	14	18
12	3-8448	Washer	10	14	18
13	3-0348	Bushing	10	14	18
14	302-5	Grease Fitting	5	7	9

Ref. No.	Part No.	Description	No. Used		
			5-Un.	7-Un.	9-Un.
15	1-6559	Housing (Incl. Ref. No. 13)	5	7	9
16	32146-13	Locknut	5	7	9
17	3-0293	Chain	2	4	6
18	3-2198	S-Hook	2	4	7
19	5-1706	Spring	5	7	9
20	3-6530	Bail, Lift	5	7	—
*	3-1571	Bail, Lift	—	—	9
**	32127-9	Locknut	—	4	—
**	2-6690	Spacer	—	4	—
**	3-7700	Chain Bracket	—	2	—
**	3-4977	Chain 12 Links	—	2	—
**	3-4986	Rod	—	2	—

NOTE: When used on 9 unit, item No. 9 to be rotated 180 degrees.

*Not Illustrated.

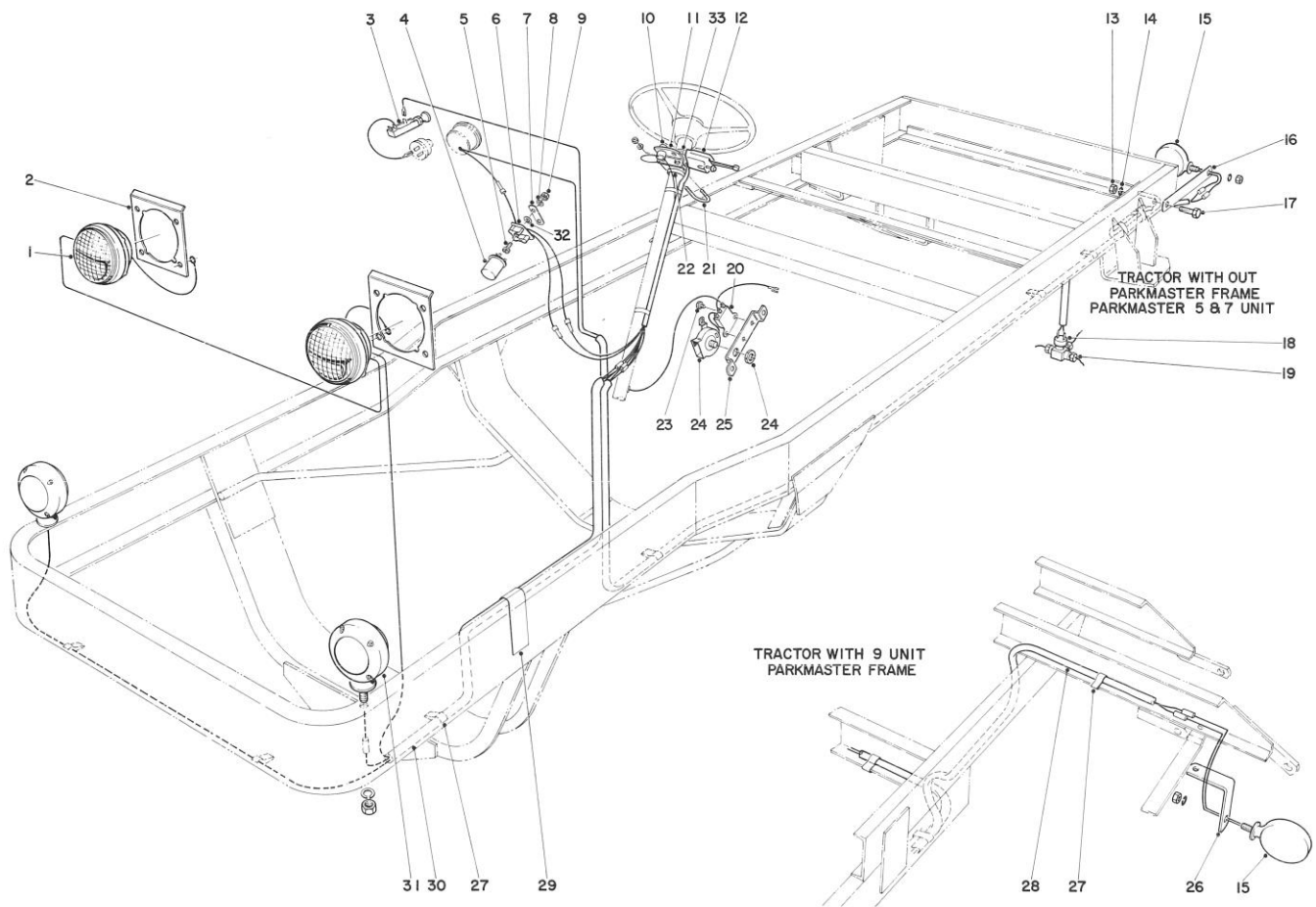
**Not illustrated — for attaching Roughmaster Mowers in No. 6 and 7 position.



COUNTER WEIGHTS — Parkmaster 9

Ref. No.	Part No.	Description	No. Used
1	3217-12	Nut	2
2	3253-9	Lockwasher	2

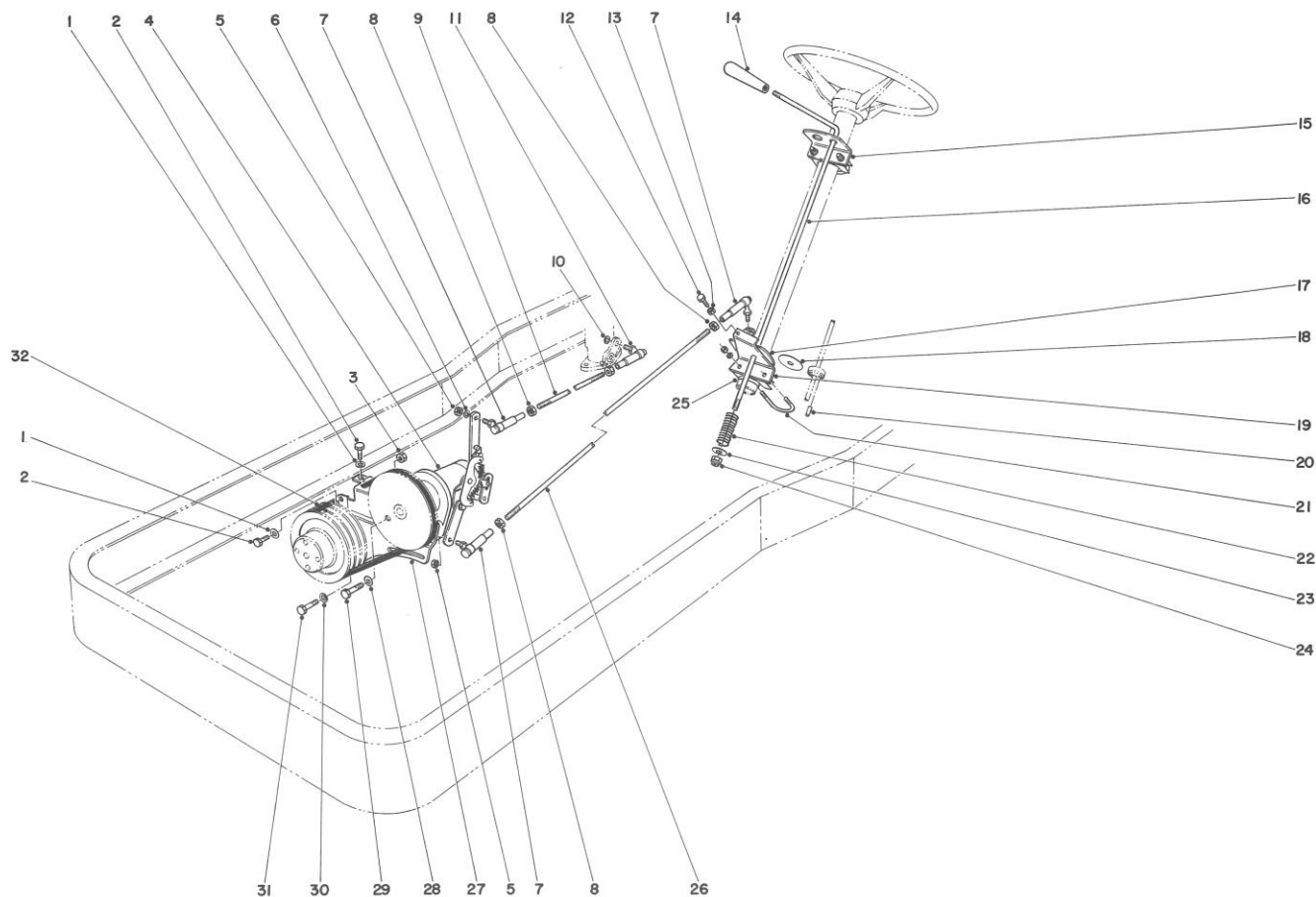
Ref. No.	Part No.	Description	No. Used
3	18-2780	Front Weights	3
4	328-22	Capscrew	2



ROAD KIT No. 5-7249

Ref. No.	Part No.	Description	No. Used
1	7-1646	Headlight	2
2	18-1010	Headlight Holder	2
3	218-213	Lightswitch	1
4	218-456	Flasher	1
5	3252-2	Screw	1
6	11-6440	Flasher Connector	1
7	18-4370	Flasher Connector Bracket	1
8	3253-12	Lockwasher	1
9	3217-26	Nut	1
10	18-2830	Horn Button	1
11	18-2480	Throttle Lever Support	1
12	11-6400	Signal Controller	1
13	3217-11	Nut	4
14	3253-8	Lockwasher	4
15	11-6390	Tail, Stop & Turn Lights	2
16	3-3402	Bracket	2
17	327-4	Capscrew	2

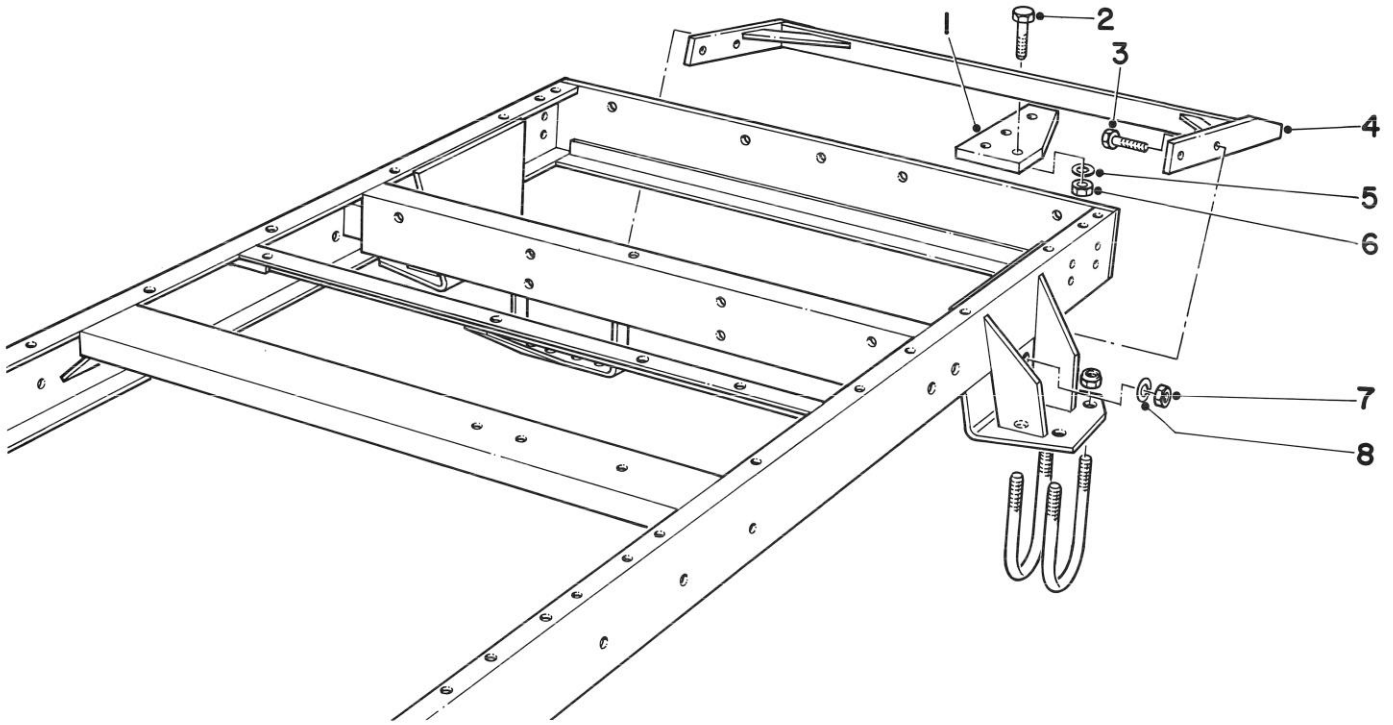
Ref. No.	Part No.	Description	No. Used
18	218-242	Stoplight Switch	1
19	218-243	Brake Line Tee	1
20	218-212	Horn Relay	1
21	18-2130	Clamp	1
22	18-1310	Saddle	2
23	32104-77	Self-Tapping Screw	2
24	19-6050	Horn (Incl. Nut)	1
25	18-2820	Horn Mount	1
26	18-8860	Bracket	2
27	212-93	Wire Clip	13
28	18-8580	Wire Harness	1
29	18-8570	Wire Harness Clip	1
30	18-5250	Wire Harness	1
31	11-6250	Fr. Signal Lamps Incl. Fasteners)	2
32	19-2430	Washer Plastic	1
33	2412-3	Hose Clamp	1



GOVERNOR KIT No. 5-6949

Ref. No.	Part No.	Description	No. Used
1	3253-21	Lockwasher	2
2	323-4	Capscrew	2
3	32146-2	Locknut	2
4	18-1700	Governor	1
5	3219-1	Nut	3
6	3253-3	Lockwasher	3
7	18-1720	Ball Joint	3
8	3220-1	Jam Nut	4
9	18-1730	Control Rod	1
10	3253-17	Lockwasher	1
11	18-1710	Ball Joint	1
12	321-4	Capscrew	1
13	3218-1	Jam Nut	1
14	18-2640	Handle	1
15	18-2480	Throttle Lever Support	1
16	18-2710	Lever	1

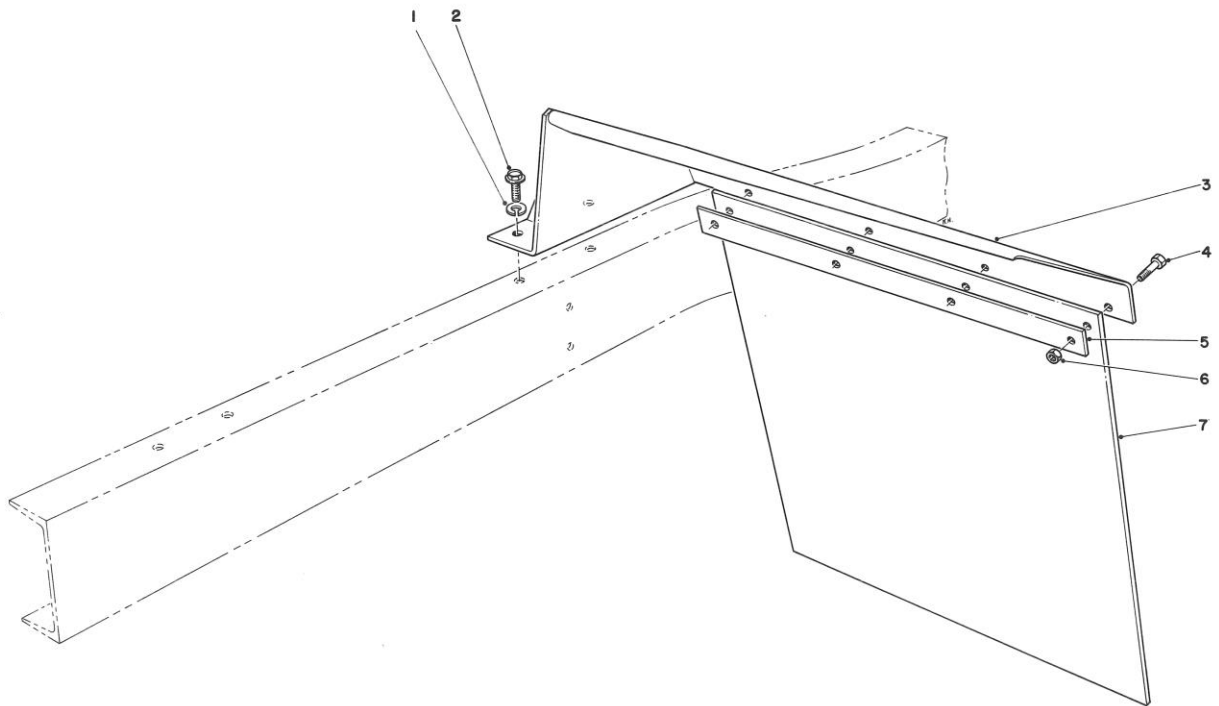
Ref. No.	Part No.	Description	No. Used
17	18-2440	Friction Plate	1
18	3-2858	Friction Disk	1
19	18-2470	Friction Plate Bracket	1
20	32121-2	Roll Pin	2
21	18-2130	Clamp	2
22	3-8596	Compression Spring	1
23	3256-25	Flat Washer	1
24	3296-7	Nut	1
25	18-1310	Saddle	4
26	18-2500	Control Rod	1
27	18-1400	Governor Bracket	1
28	3256-24	Flatwasher	2
29	323-8	Capscrew	2
30	3253-4	Lockwasher	1
31	322-6	Capscrew	1
32	18-2010	V-Belt	1



DRAWBAR KIT — 18-2940

Ref. No.	Part No.	Description	No. Used
1	3-3218	Hitch	1
2	328-2	Capscrew	2
3	327-5	Capscrew	4
4	18-2260	Drawbar	1

Ref. No.	Part No.	Description	No. Used
5	3253-9	Lockwasher	2
6	3217-12	Nut	2
7	3217-11	Nut	4
8	3253-8	Lockwasher	4

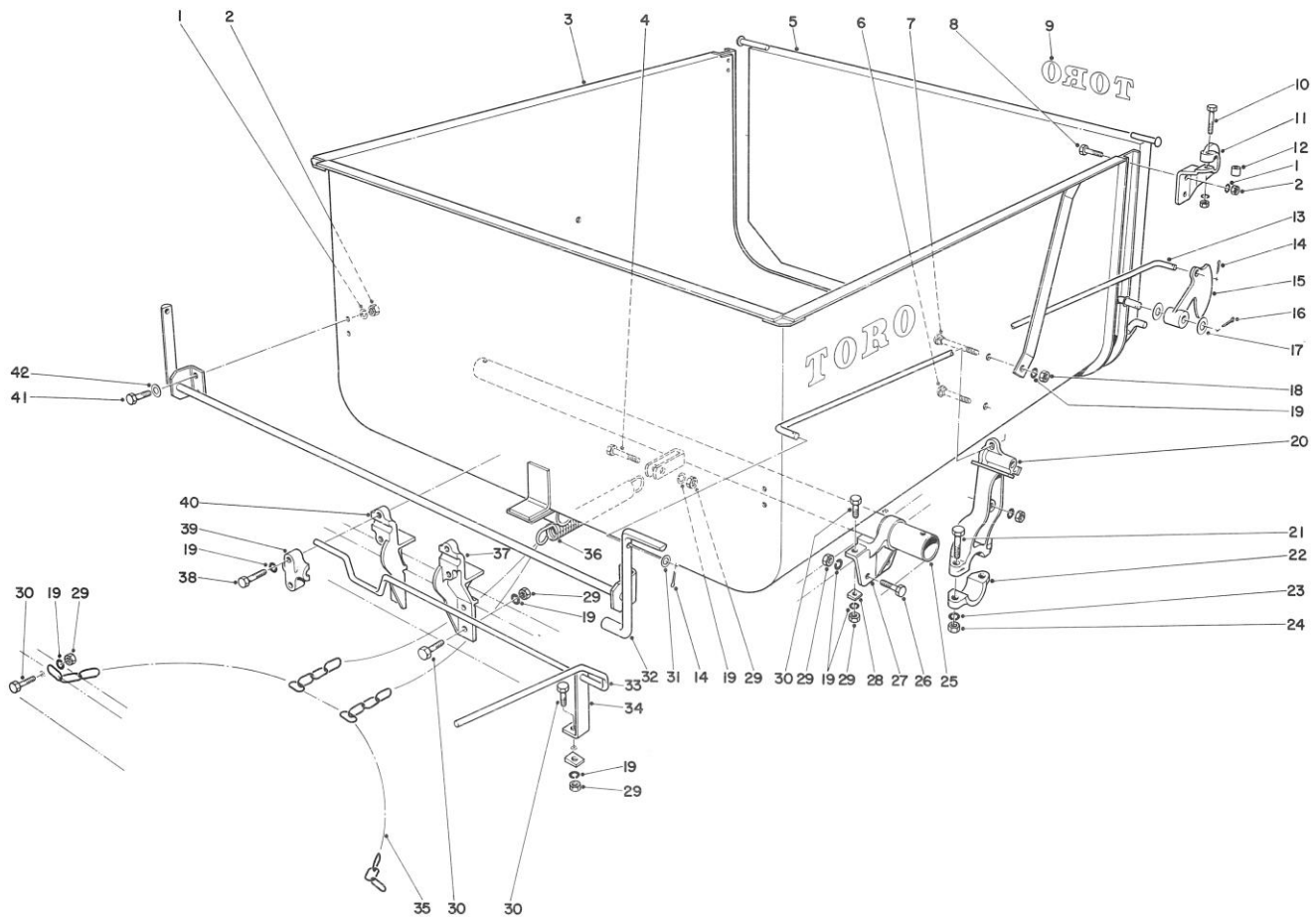


FRONT FENDER KIT No. 18-2910

Ref. No.	Part No.	Description	No. Used
1	3253-7	Lockwasher	4
2	32144-13	Thread Forming Capscrew	4
3	10-2780	Fender L.H.	1
*	10-2770	Fender R.H.	1

Ref. No.	Part No.	Description	No. Used
4	323-6	Capscrew	8
5	10-2820	Backing Flap	2
6	32146-2	Nut	8
7	10-2810	Flap	2

*Not Illustrated

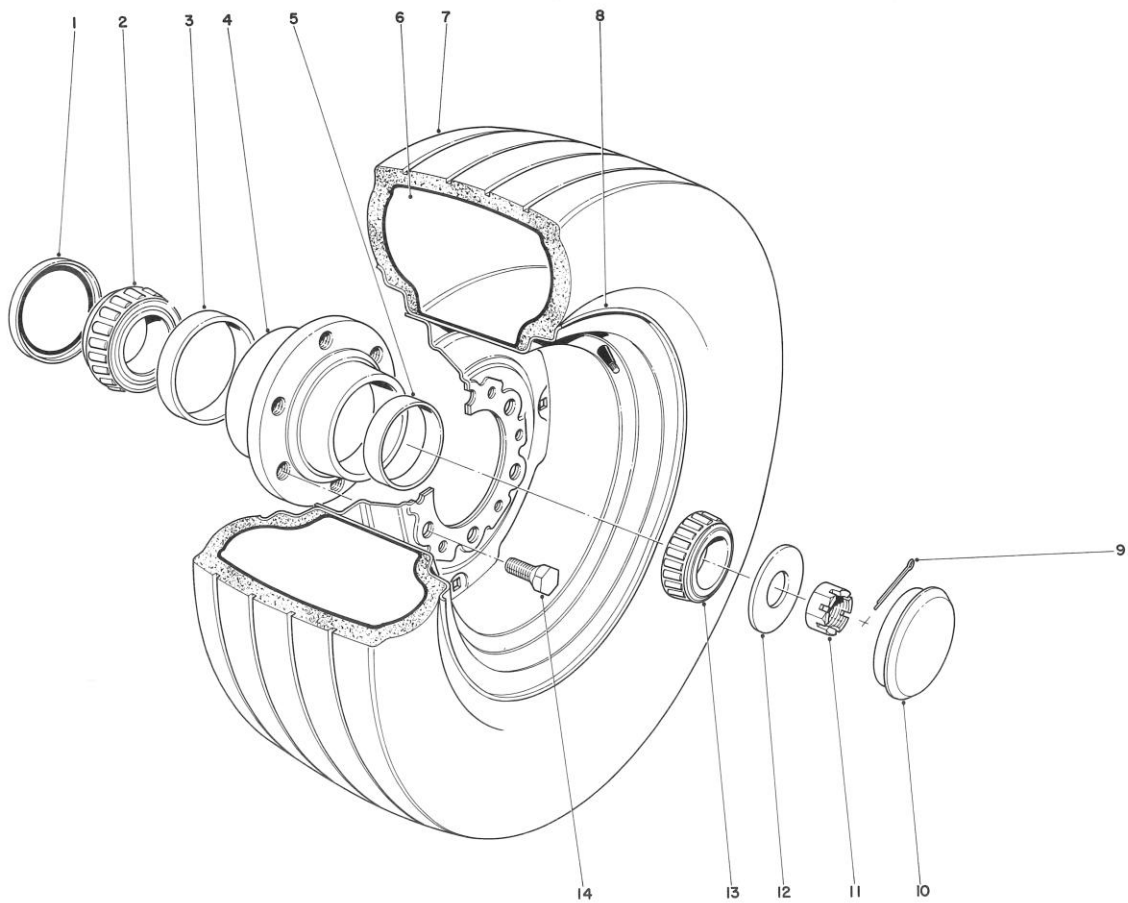


DUMP BOX KIT No. 2-2219

Ref. No.	Part No.	Description	No. Used
1	3253-4	Lockwasher	10
2	3219-2	Nut	10
3	5-3197	Dump Box	1
4	3213-4	Capscrew	1
5	5-3208	End Gate	1
6	3233-4	Carriage Bolt	2
7	3233-7	Carriage Bolt	2
8	3210-5	Capscrew	4
9	3-0704	Decal	3
10	3210-11	Capscrew	2
11	5-3223	End Gate Hanger L.H.	1
*	5-3224	End Gate Hanger R.H.	1
12	5-3225	Spacer	2
13	5-3214	Gate Latch Rod	2
14	3272-16	Cotter Pin	4
15	5-3188	Gate Latch	2
16	3272-21	Cotter Pin	2
17	5-3222	Washer	2
18	3217-9	Nut	4
19	3253-7	Lockwasher	24
20	5-3183	Box Support	2
21	3214-9	Capscrew	4

Ref. No.	Part No.	Description	No. Used
22	5-3184	Box Support Cap	2
23	3253-8	Lockwasher	4
24	3219-6	Nut	4
25	5-3193	Support Pipe	1
26	3213-2	Capscrew	4
27	5-3182	Box Support Bracket	2
28	3290-216	Bevel Washer	5
29	3219-5	Nut	16
30	3213-3	Capscrew	11
31	3256-5	Washer	2
32	5-3215	Latch Lever	1
33	5-3196	Lock Lever	1
34	5-3220	Lock Lever Bracket	1
35	5-3185	Snubber Assembly	1
36	5-3221	Spring	1
37	5-3191	Lock Lever Support L.H.	1
38	325-7	Capscrew	4
39	5-3192	Lock Lever Support Cap	2
40	5-3190	Lock Lever Support R.H.	1
41	3210-4	Capscrew	4
42	5-1183	Washer	4

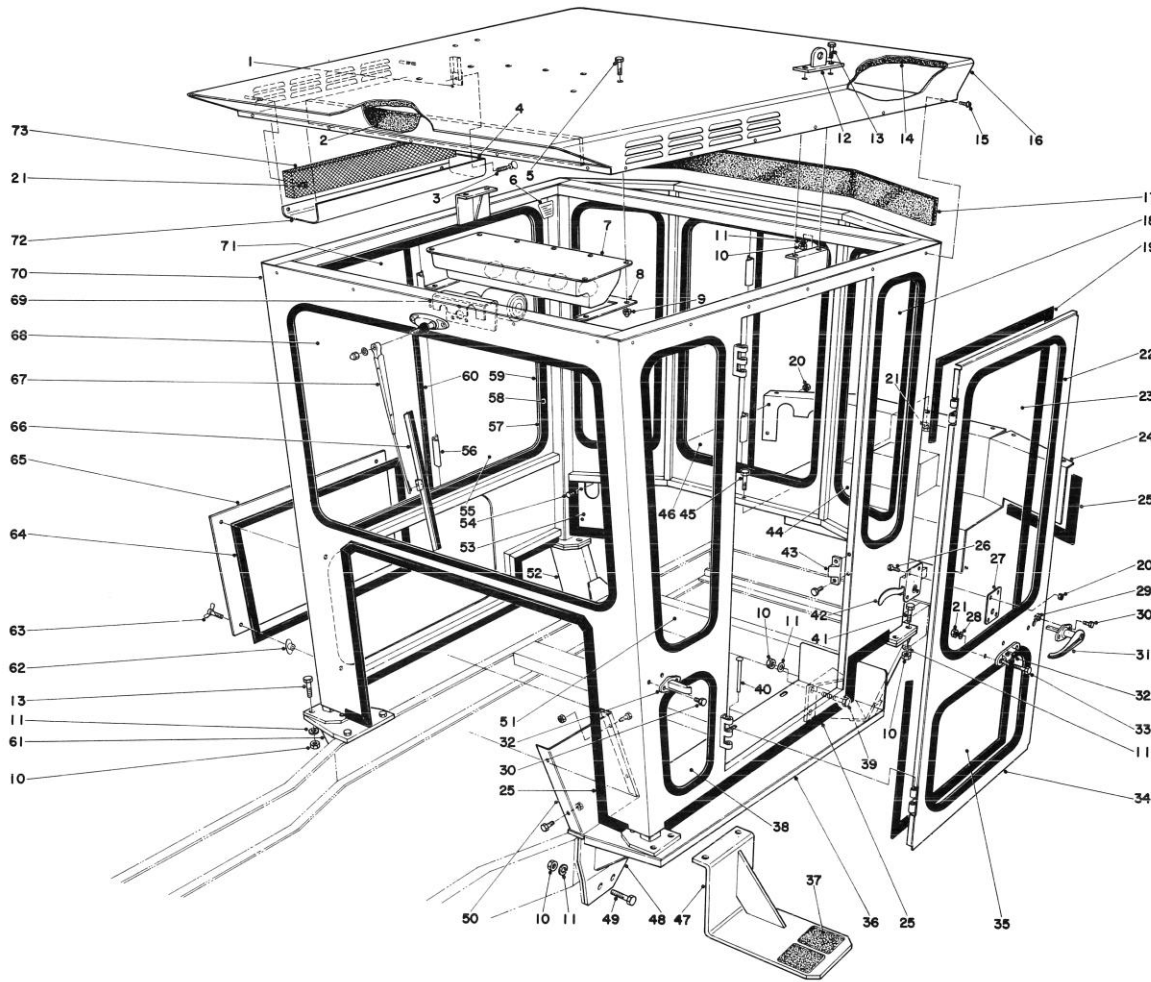
*Not Illustrated



FRONT WHEEL AND RIM KIT No. 10-2560 — 9:50x14 *Parkmaster 9

Ref. No.	Part No.	Description	No. Used	Ref. No.	Part No.	Description	No. Used
1	253-100	Grease Seal	2	8	10-0720	Wheel (14")	2
2	254-75	Inner Bearing Cone	2	9	3272-23	Cotter Pin	2
3	254-76	Inner Bearing Cup	2	10	217-33	Hub Cap	2
4	217-26	Wheel Hub (Incl. Ref. Nos. 1-3 & 5, 10 & 13)	2	11	32136-1	Slotted Hex Nut	2
5	254-20	Outer Bearing Cup	2	12	3256-9	Washer	2
6	232-29	Tube 9.50 x 14, 4-ply	2	13	254-42	Outer Bearing Cone	2
7	231-62	Tire 9.50 x 14, 4-ply	2	14	217-34	Wheel Bolt	12

*Optional for other units.

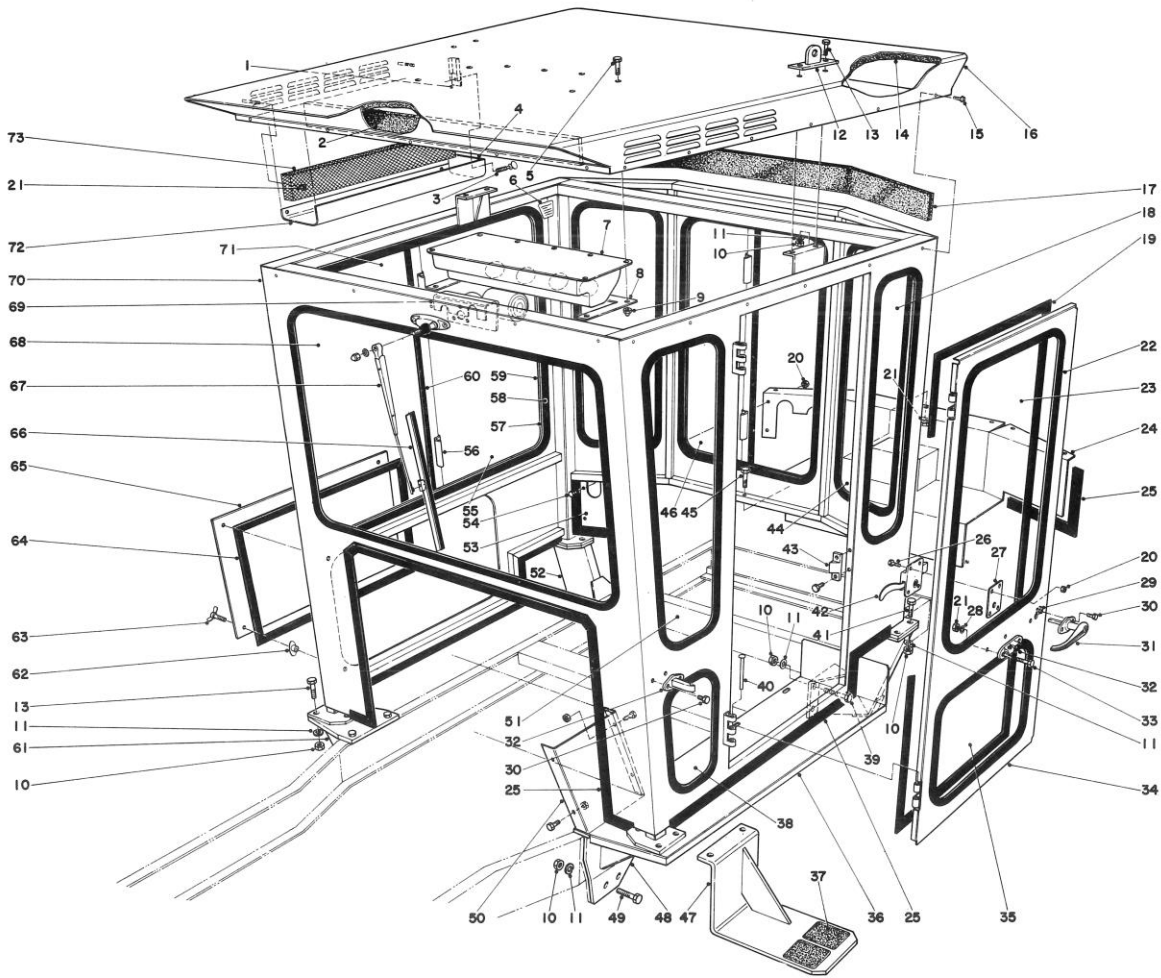


TRACTOR CAB

Ref. No.	Part No.	Description	No. Used
1	315176	Filter Retainer Clip	2
2	000311	Vinyl Poly	1
3	000229	Wing Bolt	2
4	280021-2	Duct Cap R.H.	1
*	280021-1	Duct Cap L.H.	1
5	000060	Capscrew	7
6	000657	Decal, Emergency Exit	1
7	000551	Pressurizer	1
8	315175	Pressurizer Retainer	1
9	000231	Acorn Nut	7
10	000085	Nut	20
11	000092	Lockwasher	35
12	315168	Lifting Eye	2
13	000064	Bolt	10
14	300554	Vinyl Poly (1" Roof)	1
15	000150	Zip Screw	22
16	300550	Roof	1
17	300574	Vinyl Poly (Roof Rear)	1
18	300558	Glass, Left Rear	1
19	000356	Universal Seal (160" Lg.)	1
20	000113	Nut	9
21	000078	Nut	13
22	000336	Window Rubber	AR
23	300564	Glass, Upper Door	1

Ref. No.	Part No.	Description	No. Used
24	300537	Rear Seal Panel	1
25	000354	Hollow Globe Clip On (275" Lg.)	1
26	000205	Machine Screw	4
27	315172	Shim, Lock	1
28	000089	Lockwasher	2
29	000202	Weld Nut	2
30	000204	Bolt	6
31	000625	Door Handle	1
32	000721-1	Door Catch (Male)	1
33	000121	Bolt	2
34	300553	Door Complete	1
35	300565	Glass, Lower Door	1
36	300531-2	Fender L.H.	1
*	300531-1	Fender R.H.	1
37	20-5050	Step Pad	2
38	300557	Glass, Lower Left	1
39	000070	Capscrew	8
40	315151	Pin	2
41	000062	Capscrew	6
42	000648	Door Lock L.H.	1
43	000631	Lock Striker	1
44	300559	Glass, Rear Corner	2
45	000060	Capscrew	7
46	300560	Glass, Rear Slider	2

*Not Illustrated



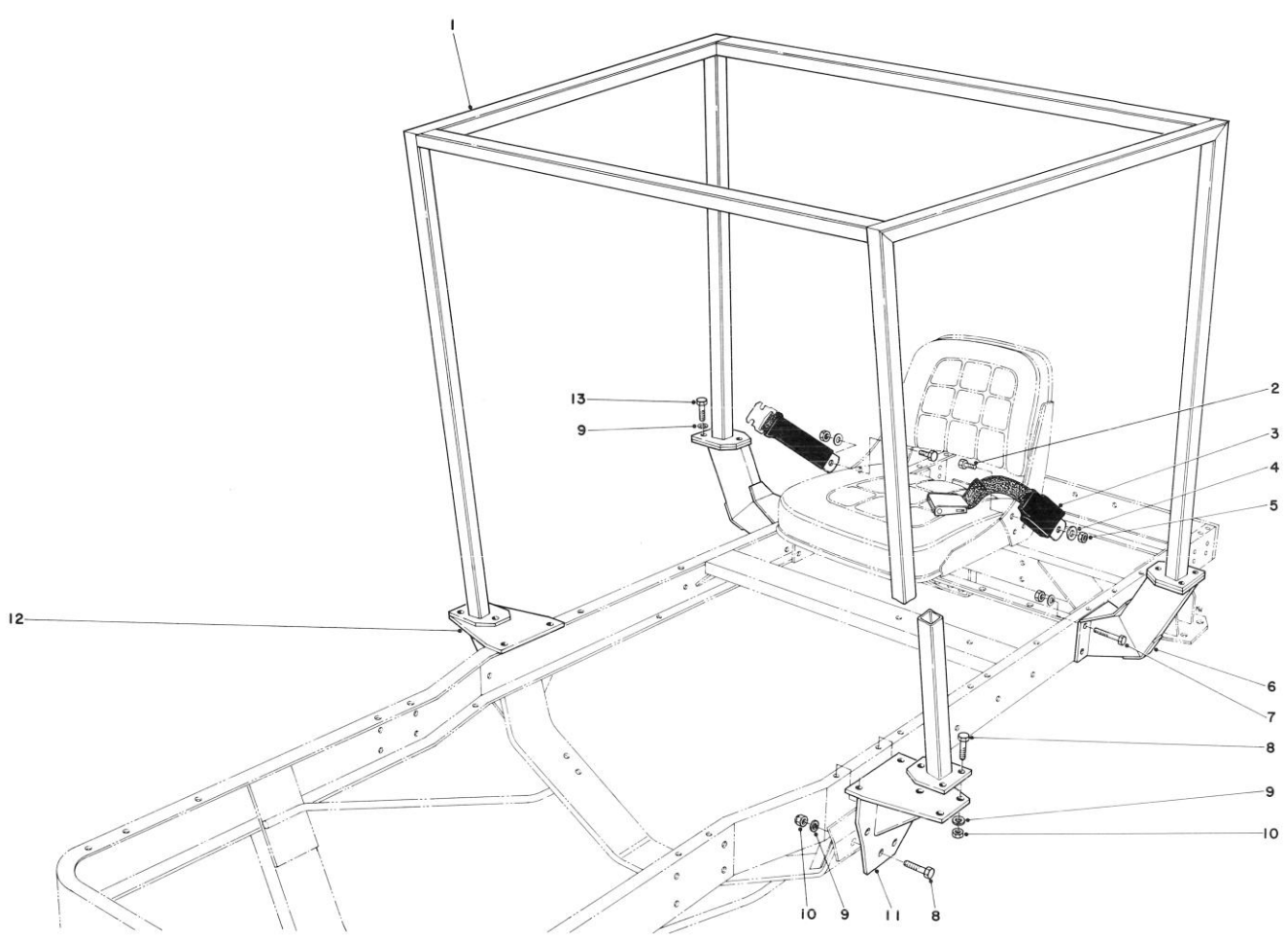
TRACTOR CAB (Continued)

Ref. No.	Part No.	Description	No. Used
47	300569	Step	1
48	300506-1	Front Mount L.H.	1
49	000066	Capscrew	4
50	300548-1	Filler Cowl L.H.	1
*	300548-2	Filler Cowl R.H.	1
51	300556	Glass, Upper Left	1
52	300514	Rear Mounts	2
53	300538	Sealed Panel	1
54	000111	Machine Screw	5
55	300563	Glass, Rear Right Slider	1
56	000717	Window Handle	4
57	000338	Blank Spacer (125" Lg.)	2
58	000306	Flexible Channel (250" Lg.)	2
59	000339	Slider Glass Channel (250" Lg.)	2

Ref. No.	Part No.	Description	No. Used
60	000320	Rigid Slider Channel (70" Lg.)	2
61	300506-2	Front Mount R.H.	1
62	000178	Flat Receptacle	4
63	000177	Wing Bolt	4
64	000356	Universal Seal (104"Lg.)	1
65	300572	Side Panel	1
66	000541	Wiper Blade 22"	1
67	000544	Wiper Blade Arm 20"	1
68	300555	Glass, Front	1
69	000542	Wiper Motor Ass'y.	1
70	300545	Cab	1
71	300562	Front Glass, Right Slider	1
72	280022	Duct Body	2
73	000552	Filter	2

*Not Illustrated

*Note: Order all Repair Parts from: Palm Industries, Box 680, Litchfield, MN 55355



ROLL OVER PROTECTION

Ref. No.	Part No.	Description	No. Used
1	21-4120	Roll Bar Ass'y.	1
2	324-4	Capscrew	2
3	21-4190	Seat Belt	1
4	3256-25	Flatwasher	2
5	3296-48	Locknut	2
6	21-4310	Rear Mount	2
7	325-14	Capscrew	8

Ref. No.	Part No.	Description	No. Used
8	325-9	Capscrew	10
9	3253-7	Lockwasher	24
10	3296-53	Locknut	18
11	21-4390	Front Mount L.H.	1
12	21-4400	Front Mount R.H.	1
13	325-6	Capscrew	6

PRODUCT CHANGES

In an effort to make improvements available to TORO owners as quickly as possible, minor changes are incorporated into Toro's products from time to time that do not become immediately shown in the Parts Catalog. If such a change apparently has been made in your unit, which is not reflected in your manual, see your TORO distributor or his Authorized TORO Service Dealer for information and part numbers.

IMPORTANT ORDERING INSTRUCTIONS

Repair parts are available from your Authorized TORO Service Distributor. To insure getting correct parts without delay, furnish the following information:

1. Serial number of your tractor as shown on the name plate.
2. Part number, description, and quantity of each part required.
3. State whether parts should be shipped by mail or express. All repair parts are shipped F.O.B. Factory.
4. Name and Address where parts are to be shipped.
5. Do not order by reference number; use part number only.

THE TORO PROMISE

It is Toro's policy to design and produce TORO products to provide our customers with a high level of performance and durability in normal operation. Our products, however, are produced in high volume, and it is inevitable that occasionally a unit will reach a customer with a defect in materials or workmanship which causes that unit to fall below the normal high

level of TORO performance. Invariably, such a defect will be noticed in a residential product within one year, and in an institutional product within ninety days after purchase. Recognizing this possibility, Toro has established a simple guarantee policy and procedure that is intended to assure customer satisfaction. This guarantee statement is as follows:

The Toro Promise

The Toro Company promises to repair any TORO product for the original purchaser if defective in materials or workmanship. The following time periods from the date of purchase apply:

Residential products	1 year
Residential products used commercially . . .	45 days
Institutional products	90 days

The costs of parts and labor are included, but the customer pays the transportation costs. Just return any residential product to an Authorized TORO Service Dealer, or any institutional product to a TORO distributor.

Should you feel that a product is defective, and wish to rely on The Toro Promise, the following procedure is recommended:

1. Contact any TORO dealer or distributor, but preferably the dealer or distributor from whom you purchased the product.
2. He will instruct you to either return the product to him, or tell you the name and address of your nearest Authorized TORO Service Dealer if the product is to be returned to such dealer.
3. Take the product and your original sales slip, or other evidence of purchase date, to the servicing dealer.
4. The servicing dealer will inspect the unit, advise you whether the product is defective and, if so, make all repairs necessary to correct the defect without extra charge to you.

If for any reason you are dissatisfied with the dealer's analysis of the defect or the service he performs, we urge you to contact us. Write:

TORO "Customer Care" Department
8111 Lyndale Avenue South
Bloomington, Minnesota 55420

