



48cm Recycler[®] / Rear Bagging Mower

Model No. 20817-210001001 and Up

Model No. 20819-210000001 and Up

Parts Catalog

Ordering Replacement Parts

To order replacement parts, please supply: the part number, the quantity, and the description of each part desired.

Understanding Reference Numbers

Each identified part in an illustration has a reference number. The reference number for a part also appears in the parts list, along with other information about the part.

This catalog uses two special reference number formats, one to indicate parts in a service assembly and another to indicate the quantity of a given part in an illustration.

Service Assembly Reference Numbers

Parts in service assemblies have reference numbers in the form **a:b**. The **a** represents the reference number of the entire service assembly and the **b** represents a sequential number unique to each part within the service assembly.

For example, a wheel assembly might be identified by reference number **6**, the tire by **6:1**, the valve by **6:2**, and the wheel by **6:3**. When you order the assembly identified by reference number **6**, you receive all parts identified by reference numbers **6:1**, **6:2**, and **6:3**. However, you may also order any part individually.

Reference numbers of this type appear in illustrations and in part lists.

Reference Numbers Indicating Quantity

In an illustration, if a reference number indicates more than one part, the reference number has the form **nX y**. The **n** represents the quantity of the part, the **X** is the multiplication symbol, and the **y** represents the reference number.

For example, in an illustration, the reference number **2X 37** means that two of the parts identified by reference number **37** are indicated.

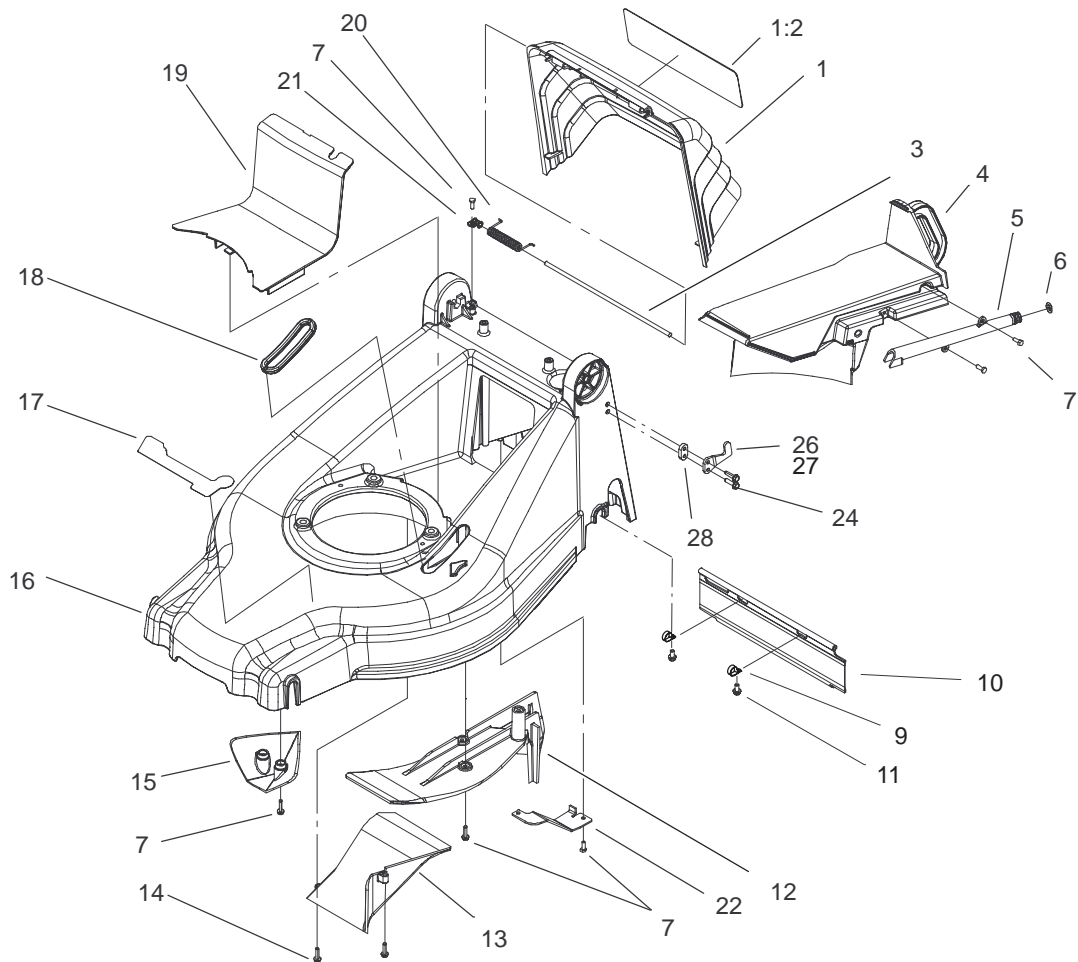
Contents

Description	Page	Description	Page
Deck, Kicker and Recycler Plug Assembly	3	Air Cleaner Assembly	
Engine and Blade Assembly	4	Briggs and Stratton Model 12F802-1770-B1	
HOC and Wheel Assembly	5	14
Self Propelled Handle and Controls Assembly .	6	Muffler and Fuel Tank Assembly	
Rear Bagger Assembly	7	Briggs and Stratton Model 12F802-1770-B1	
Drive Assembly	8	15
Gear Case Assembly No. 104-7593	9	Flywheel and Blower Housing Assembly	
Cylinder and Cylinder Head Assembly		Briggs and Stratton Model 12F802-1770-B1	
Briggs and Stratton Model 12F802-1770-B1	10	16
Crankcase / Crankshaft / Piston / and Valve		Starter Assembly	
Assembly		Briggs and Stratton Model 12F802-1770-B1	
Briggs and Stratton Model 12F802-1770-B1	11	17
Carburetor Overhaul Kit Assembly		Gasket Assembly	
Briggs and Stratton Model 12F802-1770-B1	12	Briggs and Stratton Model 12F802-1770-B1	
Governor Assembly		18
Briggs and Stratton Model 12F802-1770-B1	13		

Part Description Abbreviations

Part descriptions in this catalog may include the following abbreviations.

Abbreviation	Meaning	Abbreviation	Meaning
AR	as required	INC	incorporated
ASM	assembly	LH	left hand
CARR	carriage	NI	nylon insert
DEG	degrees	PPH	Phillips pan head
FH	flat head	PTH	Phillips truss head
GA	gauge	PTO	power take off
HF	hex flange	RH	right hand
HH	hex head	SFH	slotted fillister head
HHF	hex head flange	SHH	slotted hex head
HLH	hex lag head	SQH	square head
HJ	hex jam	SHWH	slotted hex washer head
HOC	height-of-cut	SPH	slotted pan head
HS	hex socket	SRH	slotted round head
HSBH	hex socket button head	STD	standard
HSFH	hex socket flat head	TAP	self tapping
HSH	hex socket head	TTH	Torx truss head
HWH	hex washer head	WH	wing head
HWHTF	hex washer head thread forming		

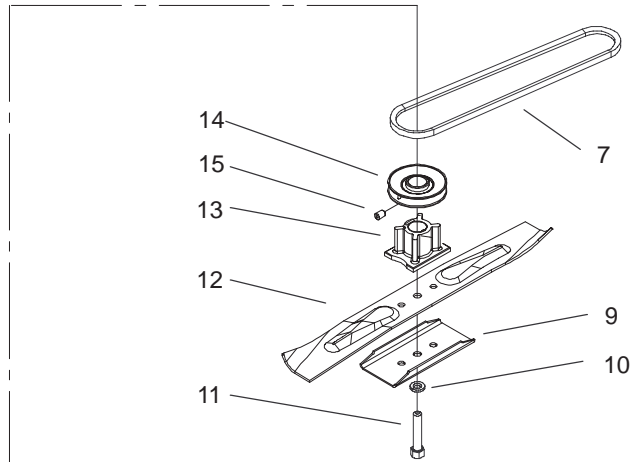
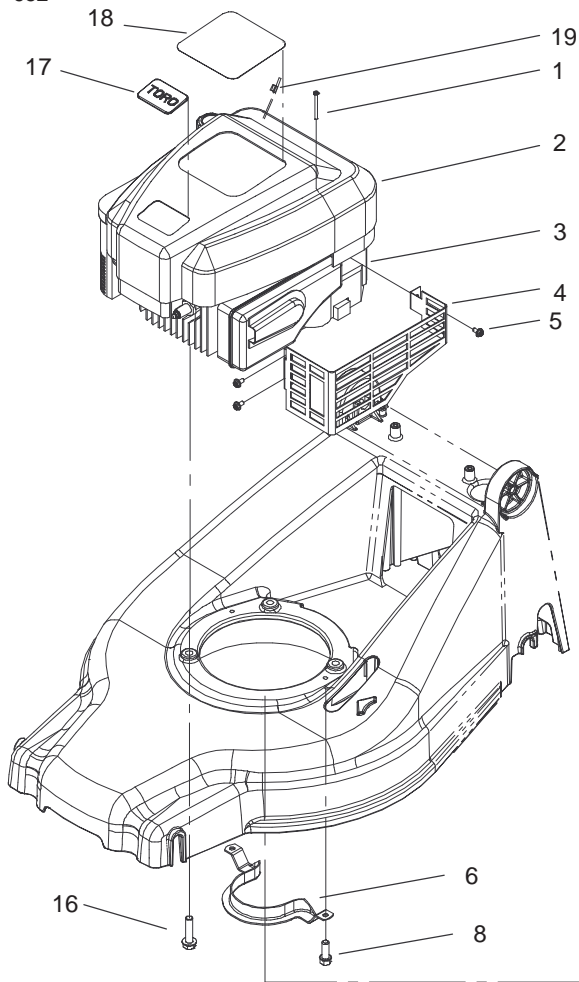


Sheet No.:2

Deck, Kicker and Recycler Plug Assembly

Ref. No.	Part No.	Qty.	Description	Ref. No.	Part No.	Qty.	Description
1	100-9115	1	Door ASM	22	100-9123-03	1	Bracket - Deck
1:2	93-4105	1	Decal - Danger	24	100-4351	4	Screw-HWH
3	100-1509	1	Rod-Pivot, Door	26	104-7557	1	Hook-Left
4	100-1505	1	Recycler-Plug, Kicker	*27	104-7558	1	Hook-Right
5	100-1522	1	Fitting-Washout	28	104-7556	2	Spacer
6	46-6290	1	O-Ring				
7	32144-1	11	Screw-Taptite				
9	2412-87	2	Clamp-Cable (only on: 20819)				
10	100-4367	1	Shield-Trailing (only on: 20819)				
11	32144-4	2	Screw-HWH (only on: 20819)				
12	99-6486	1	Kicker-Cover, Rear				
13	100-1506	1	Ramp-Discharge				
14	100-4352	2	Screw-HWH				
15	99-6485	1	Kicker-Front				
16	104-7573-01	1	Deck				
17	100-4354	1	Decal-Recycler (only on: 20817)				
17	100-9120	1	Decal-Deck (only on: 20819)				
18	100-3932	1	Boot-HOC				
19	99-6479	1	Belt Cover				
20	104-7594	1	Spring-Torsion, Door				
21	98-2256	2	Clamp				

* Not illustrated



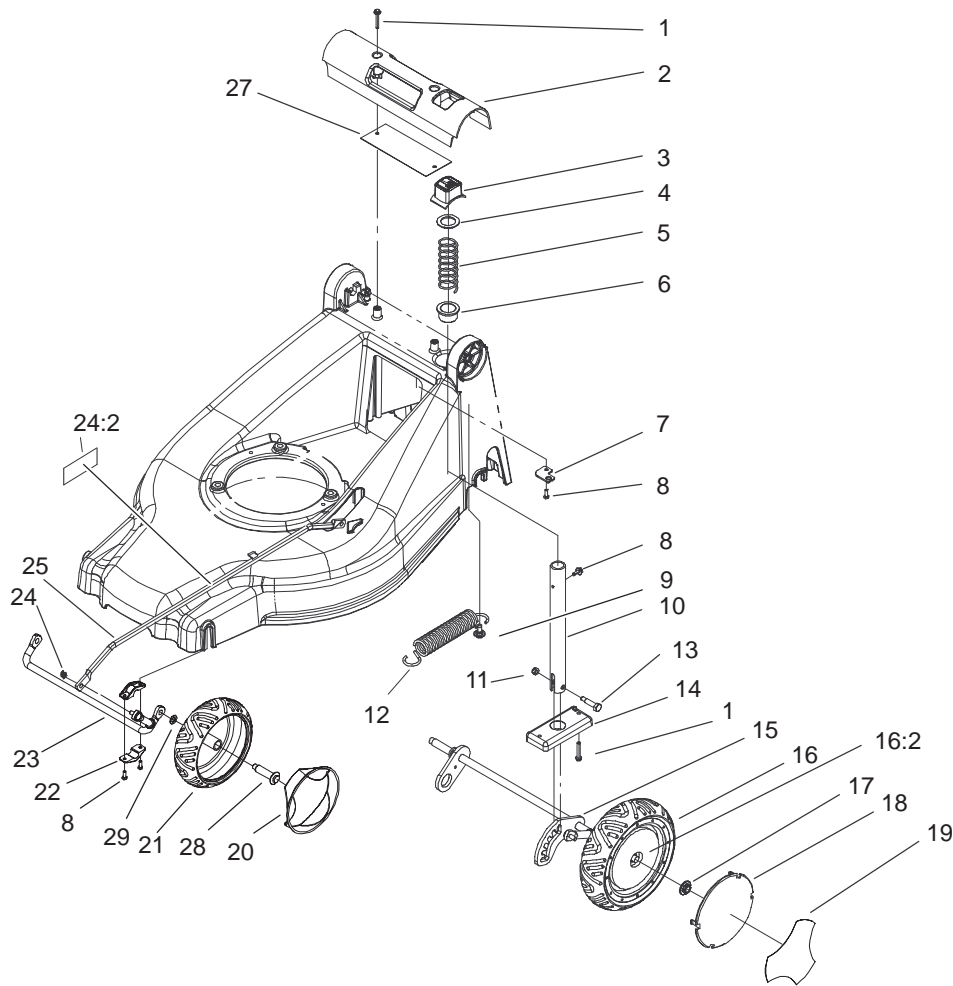
Sheet No.:3

Engine and Blade Assembly

Ref. No.	Part No.	Qty.	Description
1	32144-121	2	Screw-PPH
2	93-0243	1	Shroud-Quantum Wedge
■3		1	Engine-B & S (12F802-1770-B1)
4	104-7577-03	1	Shield-Muffler
5	104-2065	3	Screw-HWH
6	100-1523-03	1	Guide-Belt, Engine
7	93-0232	1	V-Belt
8	32144-4	2	Screw-HWH
9	80-0510-03	1	Blade Stiffener
10	3253-22	1	Washer-Lock
11	100-4368	1	Bolt-Blade
12	71-9260-03	1	Blade - 48 Cm
13	104-7554	1	Retainer-Blade (only on 20819)
13	99-6467	1	Blade Driver ASM (only on 20817)
14	100-1102	1	Pulley ASM
15	104-0214	1	Screw-Set
16	32144-102	3	Screw-HWH
17	92-2289	1	Plate-Logo
18	100-9122	1	Decal-Engine (only on: 20819)
18	100-5952	1	Decal-Engine (only

Ref. No.	Part No.	Qty.	Description
19	2210-316	1	on: 20817) Stop-Rope

■ Contact your local Briggs & Stratton Dealer for part replacement.

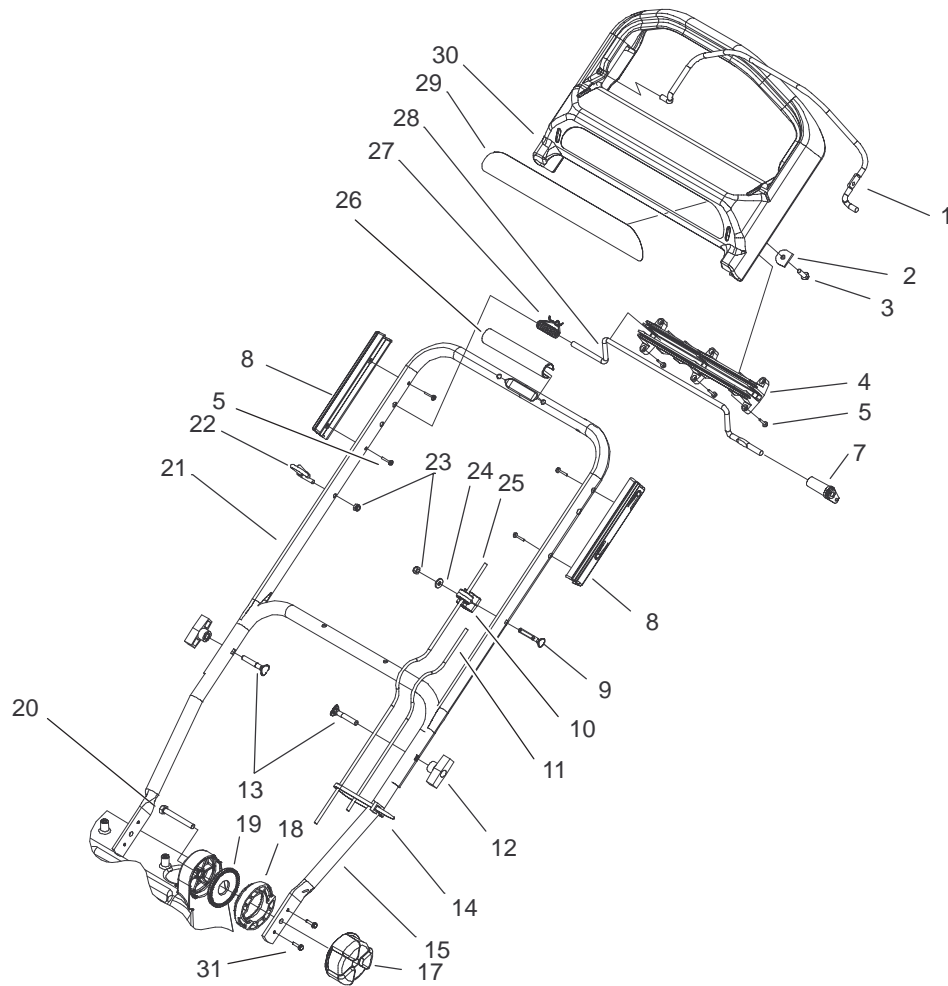


Sheet No.:4

HOC and Wheel Assembly

Ref. No.	Part No.	Qty.	Description
1	100-4352	4	Screw-HWH
2	99-6487	1	Handle-Deck
3	99-6480	1	Button-HOC
4	88-7540	1	Washer - Backup
5	99-6481	1	Spring-Compression, HOC
6	99-6483	1	Bushing-HOC
7	100-1525	1	Bracket-Cable, Traction
8	32144-1	6	Screw-Taptite
9	92-9698	1	Screw-Shoulder
10	99-6458	1	Pipe - HOC
11	3296-73	1	Nut-Lock, NI
12	100-4384	1	Spring-Extension, HOC
13	99-6459	1	Bolt-Shoulder
14	99-6460	1	Plate-Support, HOC
15	99-6478	1	Rear Axle ASM
16	99-6471	2	Wheel ASM
16:2	27-6250	2	Bushing
17	100-4370	2	Nut-Lock, Flanged
18	100-4366	2	Cover-Smart Wheel
19	100-9114	2	Decal-Smart Wheel
20	95-6543	2	Cover - Wheel
21	99-6470	2	Wheel ASM
22	100-1500	4	Mount-Axle, Front

Ref. No.	Part No.	Qty.	Description
23	104-7562	1	Front Axle ASM
24	100-9116	1	Rod ASM
24:2	100-4355	1	Decal-HOC
25	100-3939	2	Palnut
27	100-4383-03	1	Cover-Handle
28	614650	2	Bolt-Shoulder
29	40-1940	2	Washer

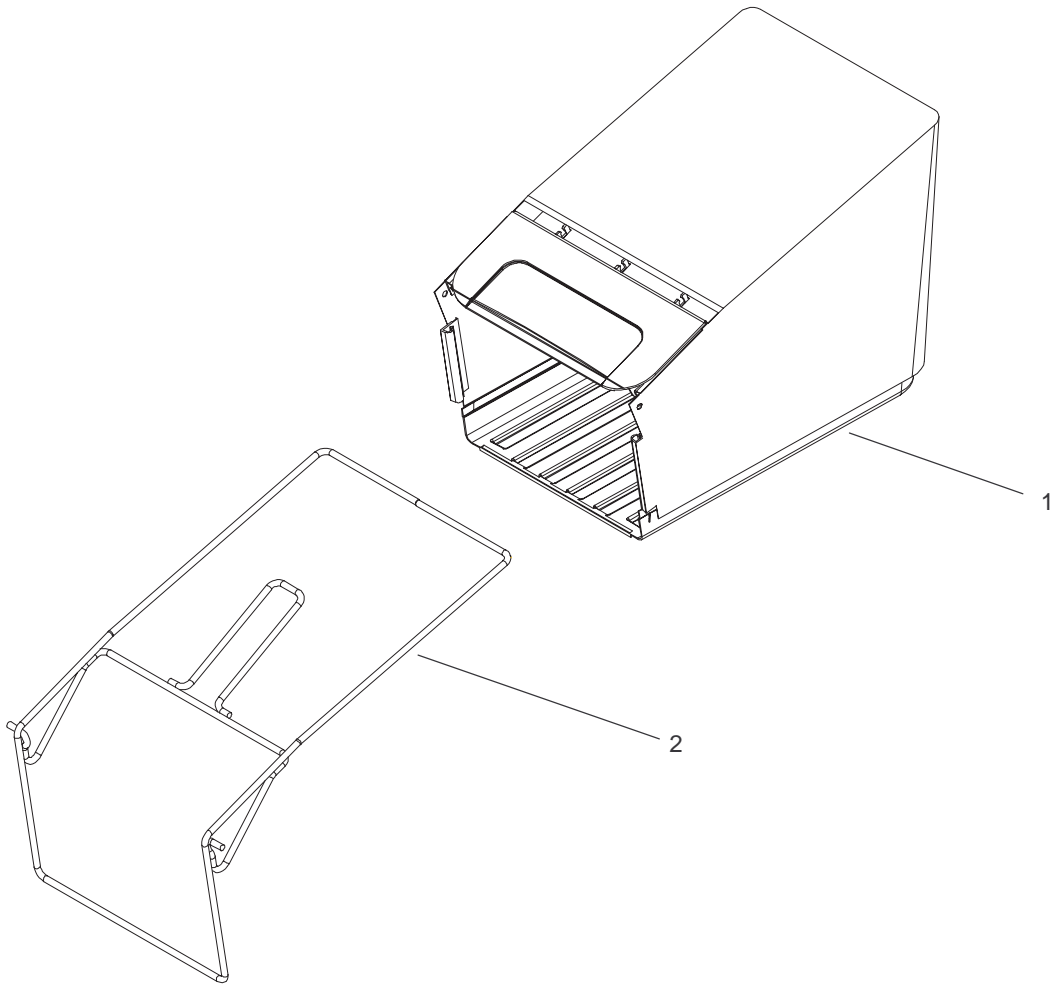


Sheet No.:5

Self Propelled Handle and Controls Assembly

Ref. No.	Part No.	Qty.	Description
1	99-1593-03	1	Bail-Brake
2	99-1595	1	Retainer-Cable, Brake
3	46-8091	1	Screw-HWH
4	99-6008	1	Retainer-Control Rod, Traction
5	94-4496	10	Screw-PPH
7	99-1589	1	Lever-Traction
8	99-1590	2	Guide-Handle, Control
9	95-4453	1	Screw-Handle
10	99-5239	1	Anchor-Cable
11	100-3936	1	Cable-Traction
12	98-7134	2	Knob-Handle
13	92-2260	2	Screw-Handle
14	3290-378	2	Tie-Cable
15	100-1502-05	1	Handle-Lower
17	100-4396	2	Knob-Adjusting, Handle
18	104-7553-03	2	Disk-Adjusting, Handle
19	100-1517	2	Disk-Holding, Handle
20	60-6690	2	Capscrew
21	99-1596-05	1	Handle-Upper
22	86-9671	1	Guide-Rope
23	3296-73	2	Nut-Lock, NI
24	3256-1	1	Washer-Flat
25	100-3937	1	Cable-Brake

Ref. No.	Part No.	Qty.	Description
26	99-6339	1	Cover-Handle (only on: 20819)
26	100-5970	1	Cover-Handle (only on: 20817)
27	99-1592	1	Spring-Torsion, RH
28	99-1588	1	Bar-Control, Traction
29	100-5950	1	Decal-Automatic (only on: 20817)
29	99-6009	1	Decal - Console (only on: 20819)
30	99-1582	1	Handle-Control
31	100-4351	4	Screw-HWH

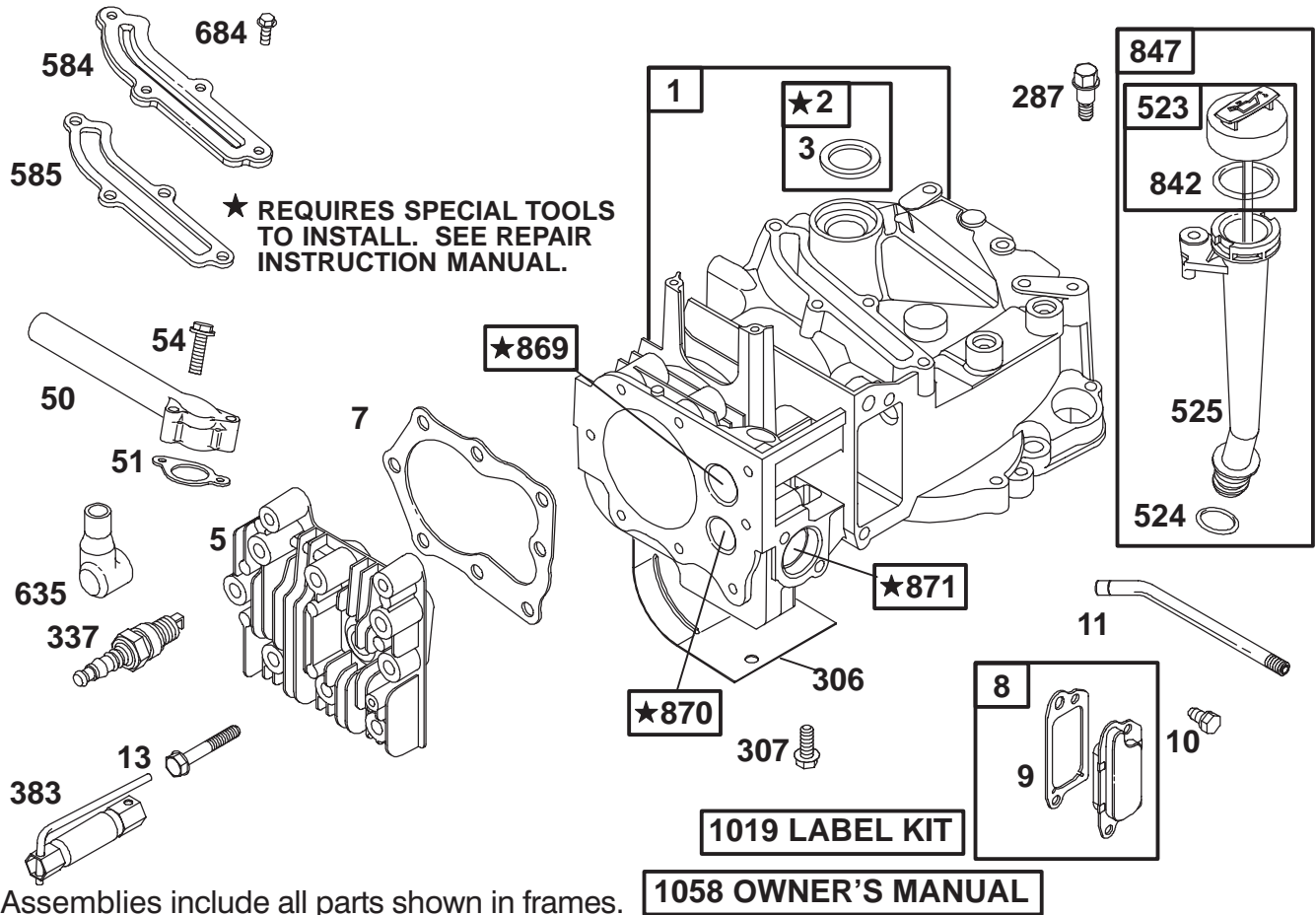


Sheet No.:8

Rear Bagger Assembly

Ref. No.	Part No.	Qty.	Description
1	104-7578	1	Grass Bag ASM
2	104-7560-03	1	Bag Frame ASM

Ref. No.	Part No.	Qty.	Description



Assemblies include all parts shown in frames.

1058 OWNER'S MANUAL

Cylinder and Cylinder Head Assembly Briggs and Stratton Model 12F802-1770-B1

Ref. No.	Part No.	Qty.	Description
1	493260	1	Cylinder Assembly
2	293708	1	Bearing/Seal Kit (Magneto Side)
★3	299819	1	Oil Seal (Magneto Side)
5	691160	1	Cylinder Head
Δ★7	692249	1	Cylinder Head Gasket
8	695250	1	Breather Assembly
Δ★9	272481	1	Breather Gasket
10	691125	1	Screw (Breather Assembly)
11	691781	1	Breather Tube
13	690912	1	Screw (Cylinder Head)
50	497465	1	Intake Manifold
★51	272199	1	Intake Gasket
54	691650	1	Screw (Intake Manifold)
287	690940	1	Screw (Dipstick Tube)
306	690450	1	Cylinder Shield
307	690345	1	Screw (Cylinder Shield)
337	802592	1	Sparkplug
383	89838	1	Sparkplug Wrench
523	495264	1	Dipstick
★524	692296	1	Dipstick Tube Seal

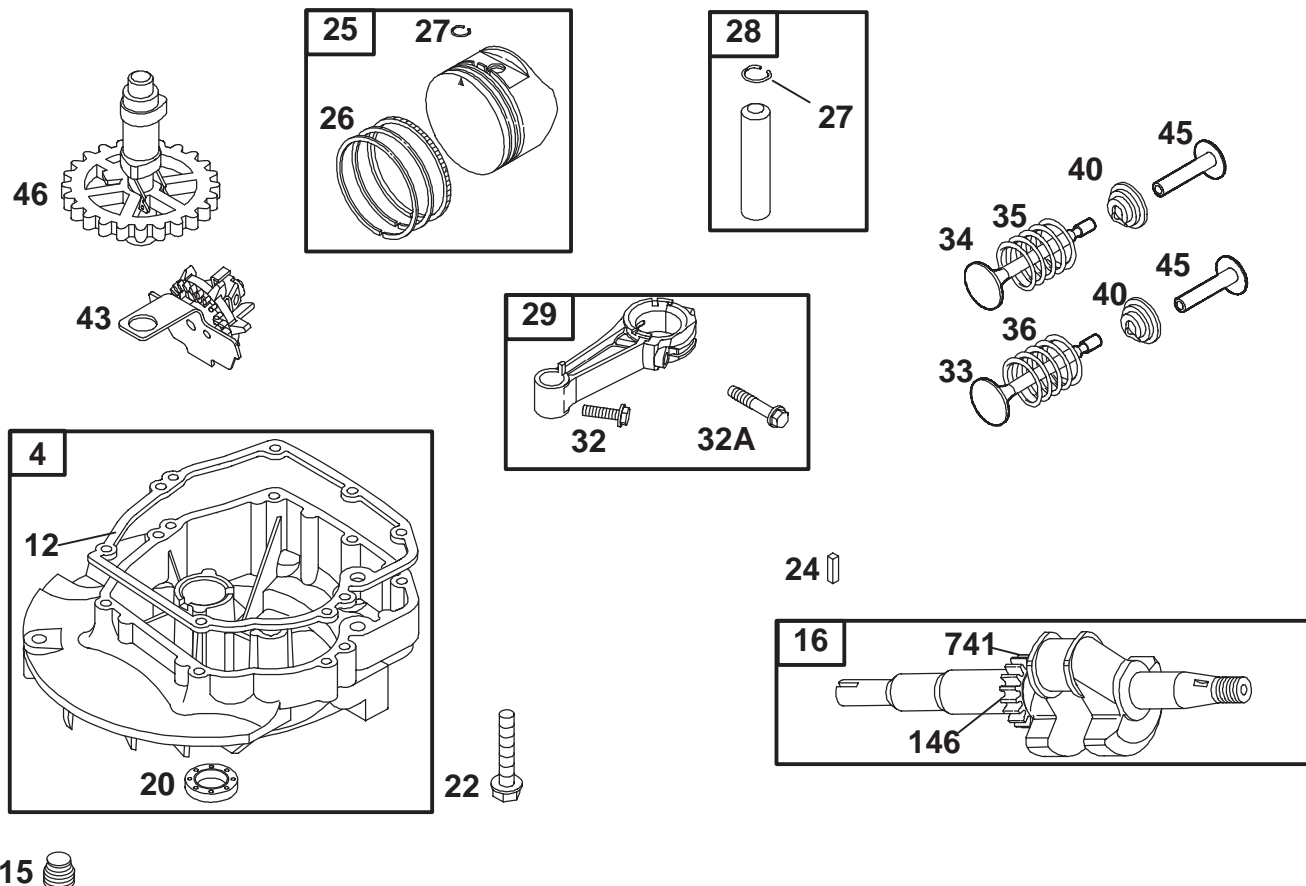
Ref. No.	Part No.	Qty.	Description
525	495265	1	Dipstick Tube
584	692342	1	Breather Passage Cover
★585	691879	1	Breather Passage Gasket
635	66538	1	Sparkplug Boot
684	690345	1	Screw (Breather Passage Cover)
★842	691031	1	O Ring Seal (Dipstick Tube)
847	692017	1	Dipstick/Tube Assembly
869	691155	1	Valve Seat (Intake)
870	690380	1	Valve Seat (Exhaust)
871	262001	1	Guide Bushing (Exhaust)
	63709	1	Guide Bushing (Intake)
1019	494256	1	Label Kit
1058	274265	1	Owner's Manual

Δ Included in Valve Gasket Set-Ref. 1095.

★ Included in Engine Gasket Set-Ref. 358.

● Included in Carburetor Overhaul Kit-Ref. 121.

◆ Included in Carburetor Gasket Set-Ref. 977



Assemblies include all parts shown in frames.

Crankcase / Crankshaft / Piston / and Valve Assembly Briggs and Stratton Model 12F802-1770-B1

Ref. No.	Part No.	Qty.	Description
4	493279	1	Engine Sump
★12	692232	1	Crankcase Gasket
15	691680	1	Oil Drain Plug
16	695376	1	Crankshaft
★20	399781	1	Oil Seal (PTO Side)
22	691092	1	Screw (Engine Sump)
24	222698	1	Flywheel Key
25	499429	1	Piston Assembly (Standard)
	499430	1	Piston Assembly (.010" Oversize)
	499431	1	Piston Assembly (.020" Oversize)
	499432	1	Piston Assembly (.030" Oversize)
26	499425	1	Ring Set (Standard)
	499426	1	Ring Set (.010" Oversize)
	499427	1	Ring Set (.020" Oversize)
	499428	1	Ring Set (.030" Oversize)
27	691866	1	Piston Pin Lock

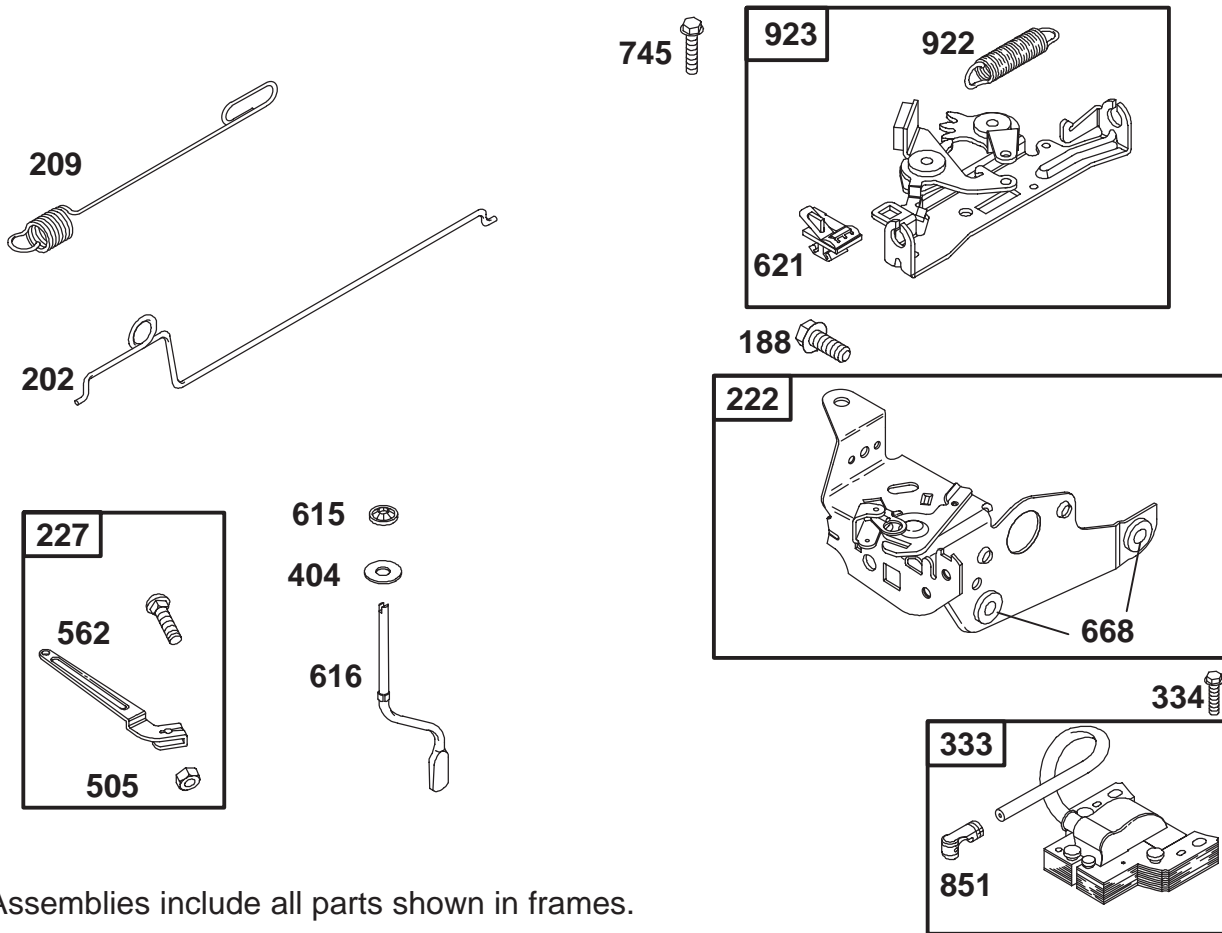
Ref. No.	Part No.	Qty.	Description
28	499423	1	Piston Pin (Standard)
	298908	1	Piston Pin (.005" O.S.)
29	499424	1	Connecting Rod (Standard)
32	691664	1	Screw (Connecting Rod)
32A	695759	1	Screw (Connecting Rod)
33	262651	1	Exhaust Valve
34	262652	1	Intake Valve
35	691270	1	Valve Spring (Intake)
36	691270	1	Valve Spring (Exhaust)
40	692194	1	Valve Retainer
43	691997	1	Governor/Oil Slinger
45	690548	1	Valve Keeper
46	691449	1	Camshaft
146	690979	1	Timing Key
741	691830	1	Timing Gear

△ Included in Valve Gasket Set-Ref. 1095.

★ Included in Engine Gasket Set-Ref. 358.

● Included in Carburetor Overhaul Kit-Ref. 121.

◆ Included in Carburetor Gasket Set-Ref. 977.



Assemblies include all parts shown in frames.

Governor Assembly Briggs and Stratton Model 12F802-1770-B1

Ref. No.	Part No.	Qty.	Description
188	690877	1	Screw (Control Bracket)
202	691829	1	Mechanical Governor Link
209	691852	1	Governor Spring
222	692467	1	Control Bracket
227	690783	1	Governor Control Lever
333	802574	1	Magneto Armature
334	691061	1	Screw (Magneto Armature)
404	690272	1	Washer (Governor Crank)
505	231082	1	Nut (Governor Control Lever)
562	92613	1	Screw (Governor Control Lever)
615	690340	1	Governor Shaft Retainer
616	691306	1	Governor Crank
621	692310	1	Stop Switch
★668	493823	1	Spacer (Includes 2)
745	691648	1	Screw (Brake)

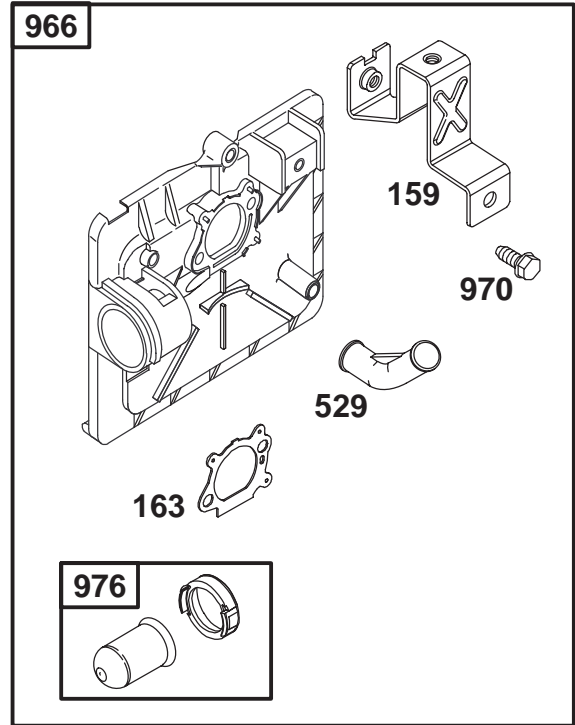
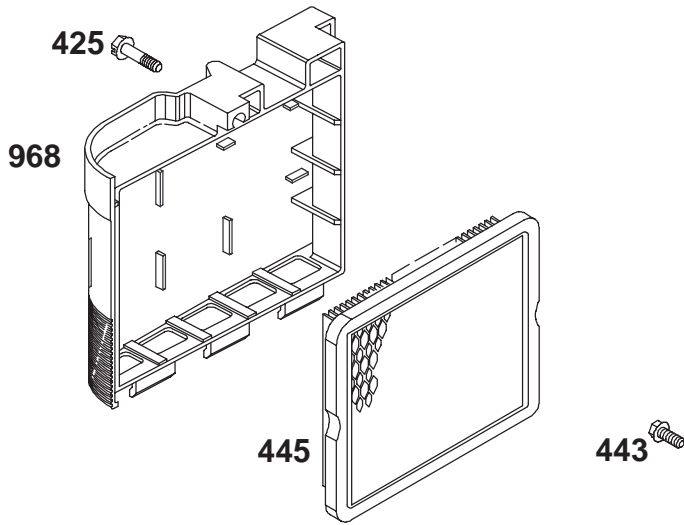
Ref. No.	Part No.	Qty.	Description
851	493880	1	Sparkplug Terminal
922	691831	1	Brake Spring
923	691994	1	Brake

△ Included in Valve Gasket Set-Ref. 1095.

★ Included in Engine Gasket Set-Ref. 358.

● Included in Carburetor Overhaul Kit-Ref. 121.

◆ Included in Carburetor Gasket Set-Ref. 977.



Assemblies include all parts shown in frames.

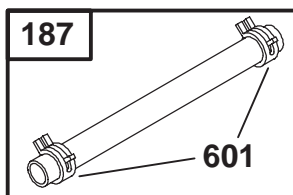
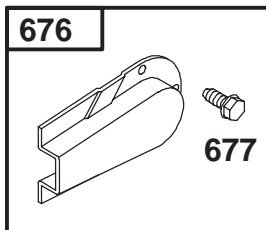
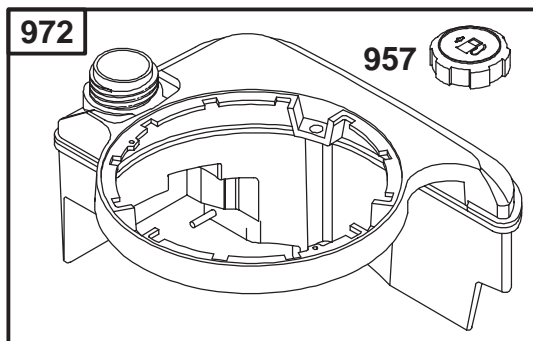
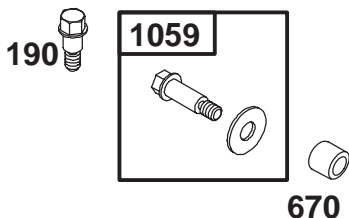
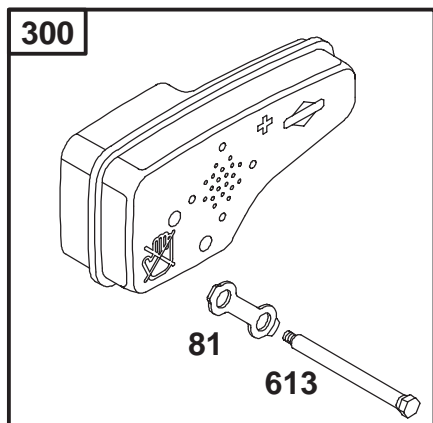
Air Cleaner Assembly Briggs and Stratton Model 12F802-1770-B1

Ref. No.	Part No.	Qty.	Description
159	691753	1	Air Cleaner Primer Bracket
★◆163	272653	1	Air Cleaner Gasket
425	690670	1	Screw (Air Cleaner Cover)
443	692523	1	Screw (Air Cleaner Primer Base)
445	491588	1	Air Cleaner Cartridge Filter
529	691923	1	Grommet
966	496116	1	Air Cleaner Primer Base
968	692298	1	Air Cleaner Cover
970	691669	1	Screw (Air Cleaner Primer Bracket)
976	694395	1	Carburetor Primer

Ref. No.	Part No.	Qty.	Description

△ Included in Valve Gasket Set-Ref. 1095.
★ Included in Engine Gasket Set-Ref. 358.

● Included in Carburetor Overhaul Kit-Ref. 121.
◆ Included in Carburetor Gasket Set-Ref. 977.



Assemblies include all parts shown in frames.

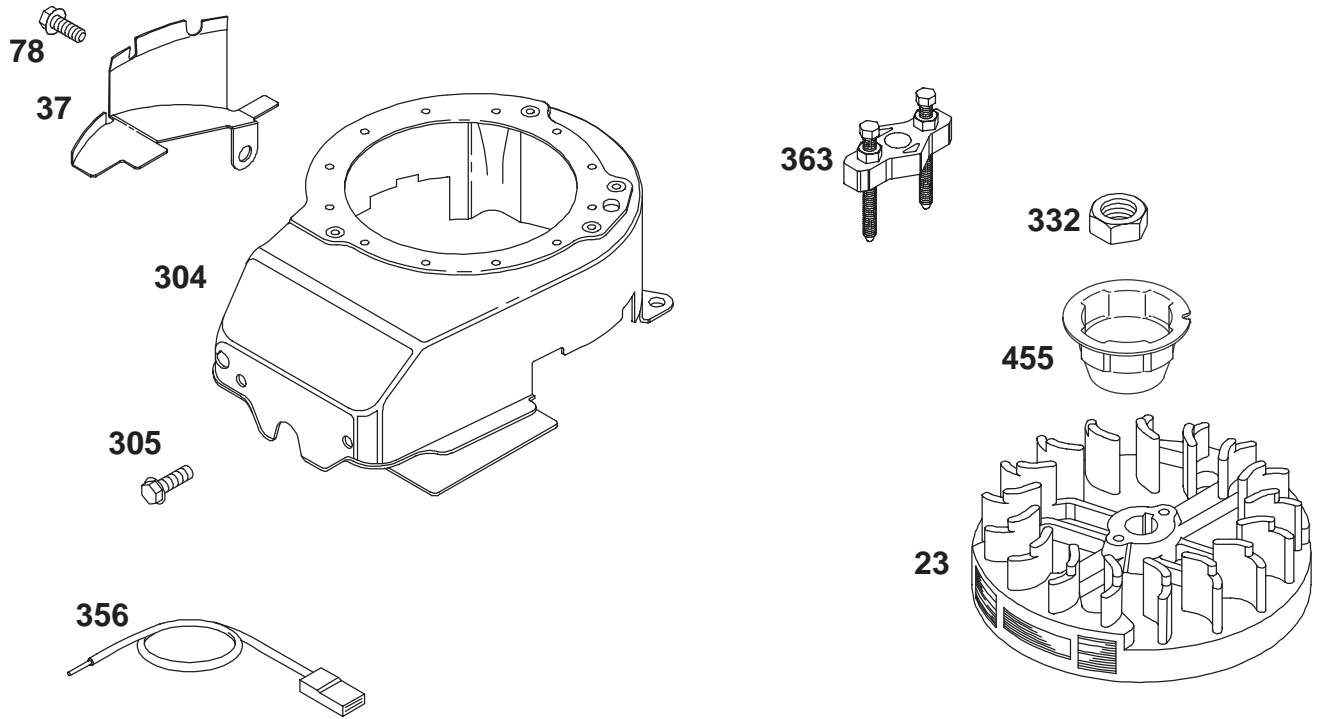
Muffler and Fuel Tank Assembly Briggs and Stratton Model 12F802-1770-B1

Ref. No.	Part No.	Qty.	Description
81	691740	1	Muffler Screw Lock
187	691050	1	Fuel Line (Cut to Required Length)
190	690940	1	Screw (Fuel Tank)
300	496106	1	Muffler
601	95162	1	Hose Clamp
613	691340	1	Screw (Muffler)
670	692294	1	Fuel Tank Spacer
676	493871	1	Muffler Deflector
677	690661	1	Screw (Muffler Deflector)
957	397974	1	Fuel Tank Cap
972	495224	1	Fuel Tank
1059	692311	1	Screw/Washer Kit

Ref. No.	Part No.	Qty.	Description

△ Included in Valve Gasket Set-Ref. 1095.
★ Included in Engine Gasket Set-Ref. 358.

● Included in Carburetor Overhaul Kit-Ref. 121.
◆ Included in Carburetor Gasket Set-Ref. 977.



1036 EMISSIONS LABEL

Assemblies include all parts shown in frames.

Flywheel and Blower Housing Assembly Briggs and Stratton Model 12F802-1770-B1

Ref. No.	Part No.	Qty.	Description
23	692315	1	Flywheel
37	694086	1	Flywheel Guard
78	691108	1	Screw (Flywheel Guard)
304	493293	1	Blower Housing
305	691108	1	Screw (Blower Housing)
332	690877	1	Nut (Flywheel)
356	692390	1	Stop Wire
363	19069	1	Flywheel Puller
455	691219	1	Flywheel Cup
1036	695111	1	Emissions Label

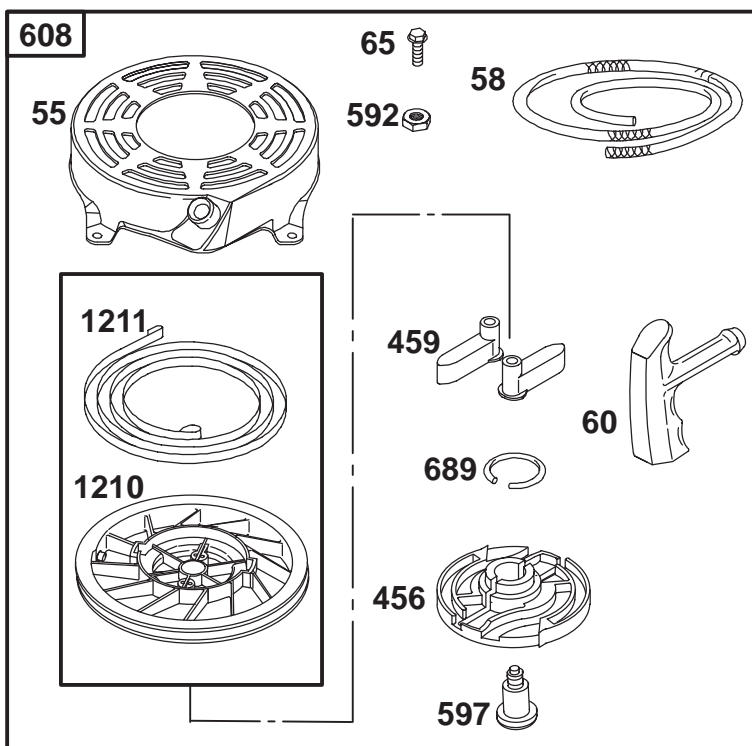
Ref. No.	Part No.	Qty.	Description

△ Included in Valve Gasket Set-Ref. 1095.

★ Included in Engine Gasket Set-Ref. 358.

● Included in Carburetor Overhaul Kit-Ref. 121.

◆ Included in Carburetor Gasket Set-Ref. 977.



Assemblies include all parts shown in frames.

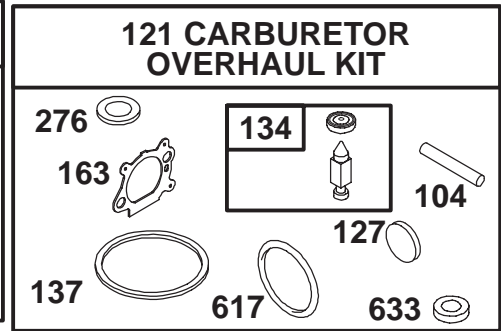
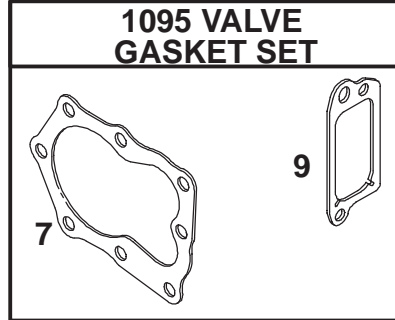
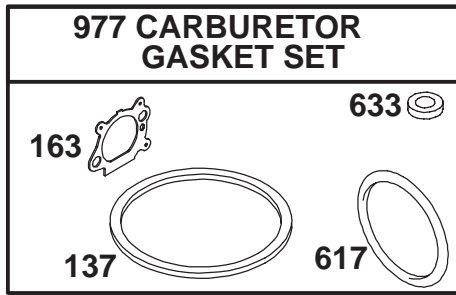
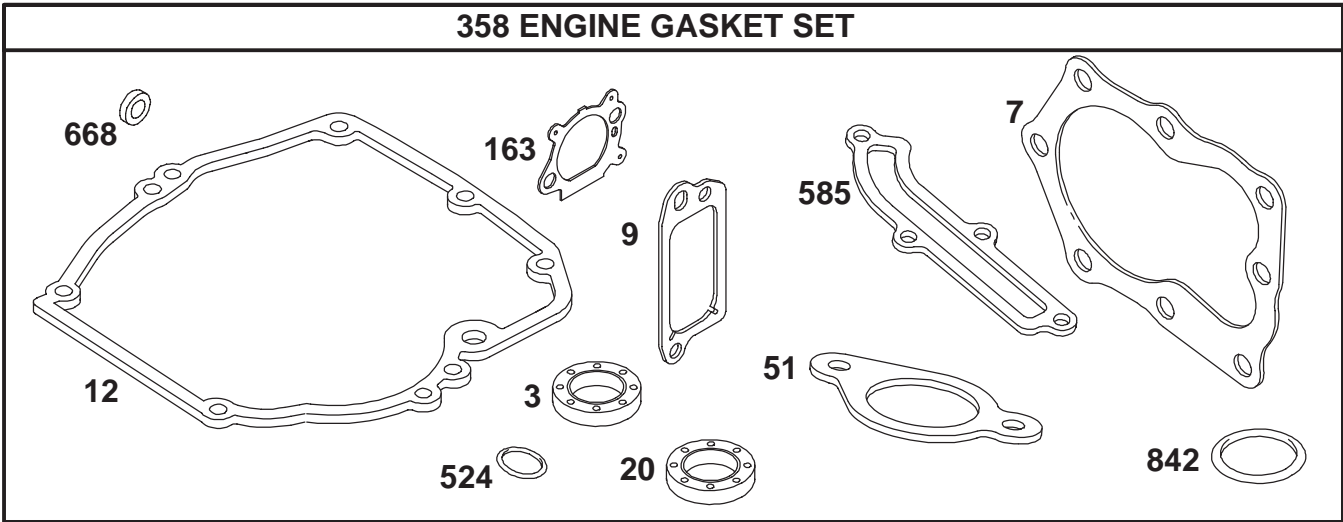
Starter Assembly Briggs and Stratton Model 12F802-1770-B1

Ref. No.	Part No.	Qty.	Description
55	691421	1	Rewind Starter Housing
58	280399	1	Starter Rope
60	281434	1	Starter Rope Grip
65	690837	1	Screw (Rewind Starter)
456	692299	1	Pawl Friction Plate
459	281505	1	Pawl Ratchet
592	690800	1	Nut (Rewind Starter)
597	691696	1	Screw (Pawl Friction Plate)
608	497680	1	Rewind Starter
689	691855	1	Friction Spring
1210	498144	1	Pulley/Spring Assembly (Pulley)
1211	498144	1	Pulley/Spring Assembly (Spring)

Ref. No.	Part No.	Qty.	Description

△ Included in Valve Gasket Set-Ref. 1095.
★ Included in Engine Gasket Set-Ref. 358.

● Included in Carburetor Overhaul Kit-Ref. 121.
◆ Included in Carburetor Gasket Set-Ref. 977.



Assemblies include all parts shown in frames.

Gasket Assembly Briggs and Stratton Model 12F802-1770-B1

Ref. No.	Part No.	Qty.	Description
★3	299819	1	Oil Seal (Magneto Side)
★Δ7	692249	1	Cylinder Head Gasket
★Δ9	272481	1	Breather Gasket
★12	692232	1	Crankcase Gasket
★20	399781	1	Oil Seal (PTO Side)
★51	272199	1	Intake Gasket
●104	691242	1	Float Hinge Pin
121	498260	1	Carburetor Overhaul Kit
●127	694468	1	Welch Plug
●134	398188	1	Needle/Seat Kit
●◆137	693981	1	Float Bowl Gasket
★◆163	272653	1	Air Cleaner Gasket
●276	271716	1	Sealing Washer
358	497316	1	Engine Gasket Set
★524	692296	1	Dipstick Tube Seal
★585	691879	1	Breather Passage Gasket
●◆617	270344	1	O Ring Seal (Intake Manifold)
●◆633	691321	1	Choke Throttle Shaft Seal
★668	493823	1	Spacer (Includes 2)

Ref. No.	Part No.	Qty.	Description
★842	691031	1	O Ring Seal (Dipstick Tube)
977	498261	1	Carburetor Gasket Set
1095	498528	1	Valve Gasket Set

Δ Included in Valve Gasket Set-Ref. 1095.

★ Included in Engine Gasket Set-Ref. 358.

● Included in Carburetor Overhaul Kit-Ref. 121.

◆ Included in Carburetor Gasket Set-Ref. 977.

