



## Broom

### Dingo<sup>®</sup> Attachment

Model No. 22415 - 21000001 and Up

## Parts Catalog

---

### Ordering Replacement Parts

To order replacement parts, please supply: the part number, the quantity, and the description of each part desired.

### Understanding Reference Numbers

Each identified part in an illustration has a reference number. The reference number for a part also appears in the parts list, along with other information about the part.

This catalog uses two special reference number formats, one to indicate parts in a service assembly and another to indicate the quantity of a given part in an illustration.

### Service Assembly Reference Numbers

Parts in service assemblies have reference numbers in the form **a:b**. The **a** represents the reference number of the entire service assembly and the **b** represents a sequential number unique to each part within the service assembly.

For example, a wheel assembly might be identified by reference number **6**, the tire by **6:1**, the valve by **6:2**, and the wheel by **6:3**. When you order the assembly identified by reference number **6**, you receive all parts identified by reference numbers **6:1**, **6:2**, and **6:3**. However, you may also order any part individually.

Reference numbers of this type appear in illustrations and in part lists.

### Reference Numbers Indicating Quantity

In an illustration, if a reference number indicates more than one part, the reference number has the form **nX y**. The **n** represents the quantity of the part, the **X** is the multiplication symbol, and the **y** represents the reference number.

For example, in an illustration, the reference number **2X 37** means that two of the parts identified by reference number **37** are indicated.

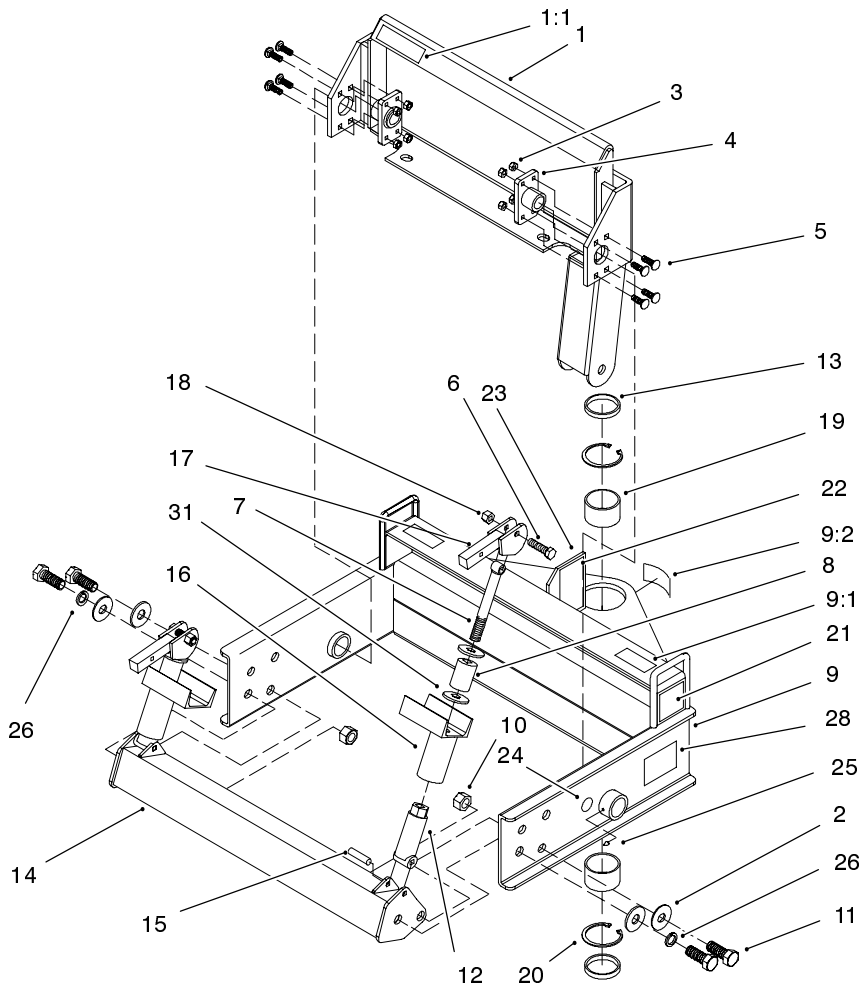
## Contents

Description	Page	Description	Page
Main Mount Assembly .....	3	Rotor Assembly .....	6
Pivot Assembly .....	4	Rotor Assembly (Continued) .....	7
Head Assembly .....	5	Hydraulic Motor Assembly No. 99-6566 .....	8

## Part Description Abbreviations

Part descriptions in this catalog may include the following abbreviations.

Abbreviation	Meaning	Abbreviation	Meaning
AR .....	as required	INC .....	incorporated
ASM .....	assembly	LH .....	left hand
CARR .....	carriage	NI .....	nylon insert
DEG .....	degrees	PPH .....	Phillips pan head
FH .....	flat head	PTH .....	Phillips truss head
GA .....	gauge	PTO .....	power take off
HF .....	hex flange	RH .....	right hand
HH .....	hex head	SFH .....	slotted fillister head
HHF .....	hex head flange	SHH .....	slotted hex head
HLH .....	hex lag head	SQH .....	square head
HJ .....	hex jam	SHWH .....	slotted hex washer head
HOC .....	height-of-cut	SPH .....	slotted pan head
HS .....	hex socket	SRH .....	slotted round head
HSBH .....	hex socket button head	STD .....	standard
HSFH .....	hex socket flat head	TAP .....	self tapping
HSH .....	hex socket head	TTH .....	Torx truss head
HWH .....	hex washer head	WH .....	wing head
HWHTF .....	hex washer head thread forming		

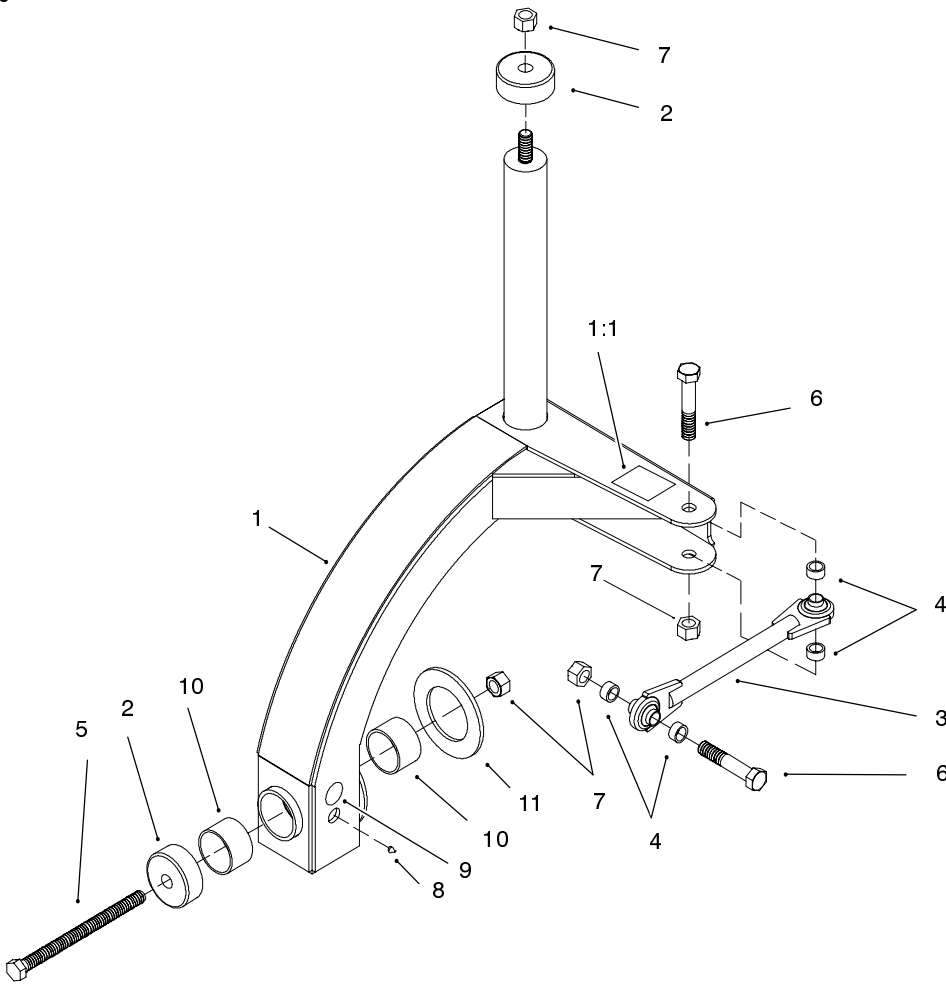


Sheet No.:2  
C-2805

### Main Mount Assembly

Ref. No.	Part No.	Qty.	Description
1	99-6576	1	Q-Tach Frame ASM, Serv
1:1	100-4654	1	Decal-Warning
2	3256-28	4	Washer-Flat
3	3296-59	8	Nut-Lock NI
4	99-6580	2	Pivot Retainer ASM
5	3231-25	8	Screw-CARR
6	325-8	2	Screw-HH
7	99-6590	2	Adjustment Screw ASM
8	99-6556	2	Absorber-Shock
9	100-4791	1	Main Mount Frame ASM
9:1	100-4650	2	Decal-Warning
9:2	100-4652	1	Decal-Warning
10	3296-51	2	Nut-Lock, NI
11	328-26	4	Screw-HH
12	99-6592	2	Arm Clamp Swivel ASM
13	99-6577	2	Seal
14	99-6579	1	Mount Crossmember ASM
15	32121-122	2	Pin-Roll
16	99-6591	2	Arm Clamp ASM
17	99-6589	2	Lock Lever ASM
18	32146-13	2	Nut-Eslok

Ref. No.	Part No.	Qty.	Description
19	95-5127	2	Bushing
20	99-6593	2	Snap Ring
21	93-9084	2	Decal-Point, Lift
22	100-4661	1	Decal-Height, Right
23	100-4660	1	Decal-Height, Left
24	58-6520	3	Decal-Grease
25	302-19	5	Fitting-Grease
26	3253-9	2	Washer-Lock/Sp
28	99-4349	2	Decal-Logo, Dingo
31	3256-8	4	Washer-Flat

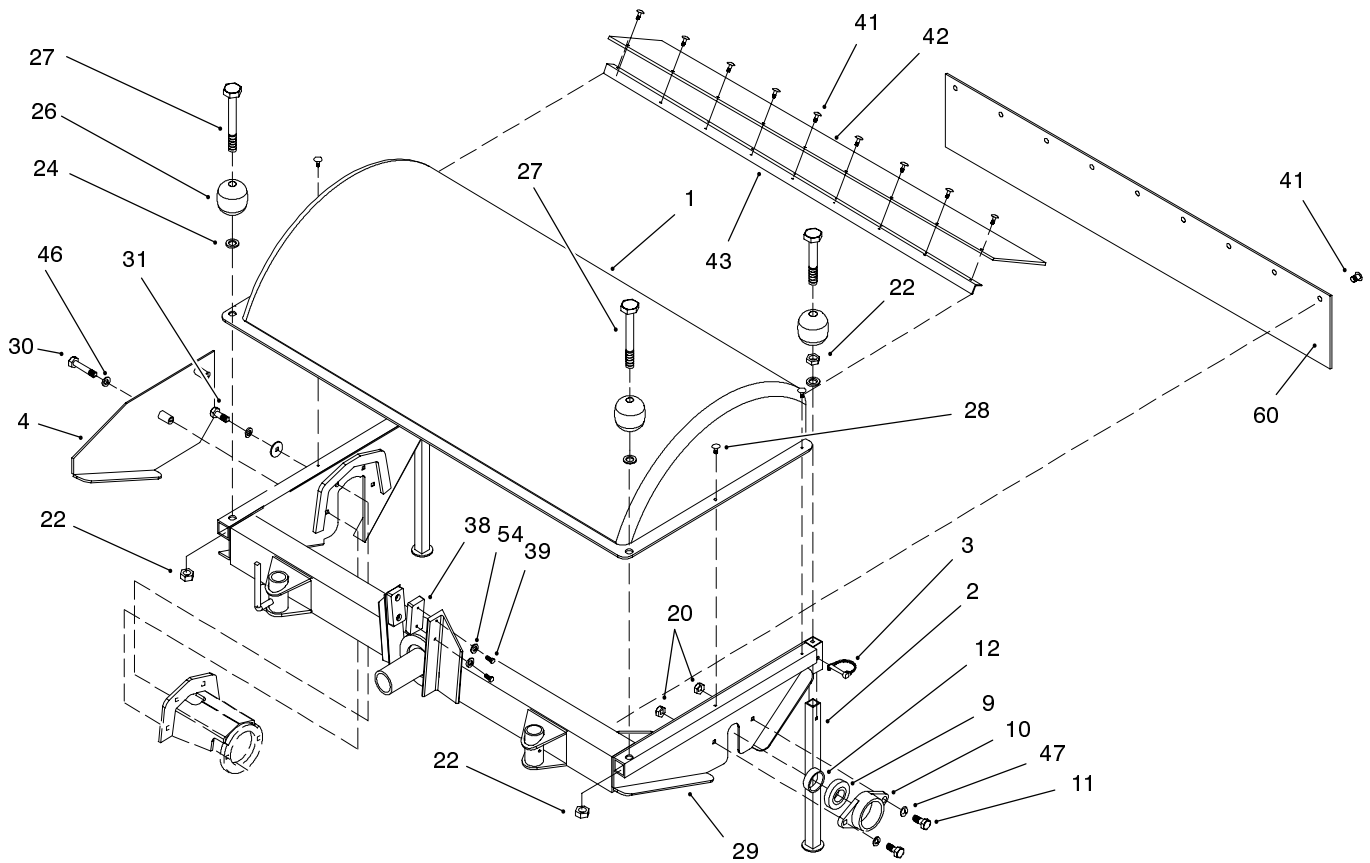


Sheet No.:3  
C-2808

### Pivot Assembly

Ref. No.	Part No.	Qty.	Description
1	99-6551	1	Pivot Arm Frame,
1:1	100-4650	1	Decal-Warning
2	95-3202-01	2	Cap - Pivot R
3	100-4792	1	Link-Pivot
4	99-6565	4	Spacer-Pivot Link
5	99-6581	1	Screw-HH
6	328-7	2	Screw-HH
7	3296-51	4	Nut-Lock, NI
8	302-19	1	Fitting-Grease
9	58-6520	1	Decal-Grease
10	95-5127	2	Bushing
11	95-3204	1	Washer - Pivot

Ref. No.	Part No.	Qty.	Description

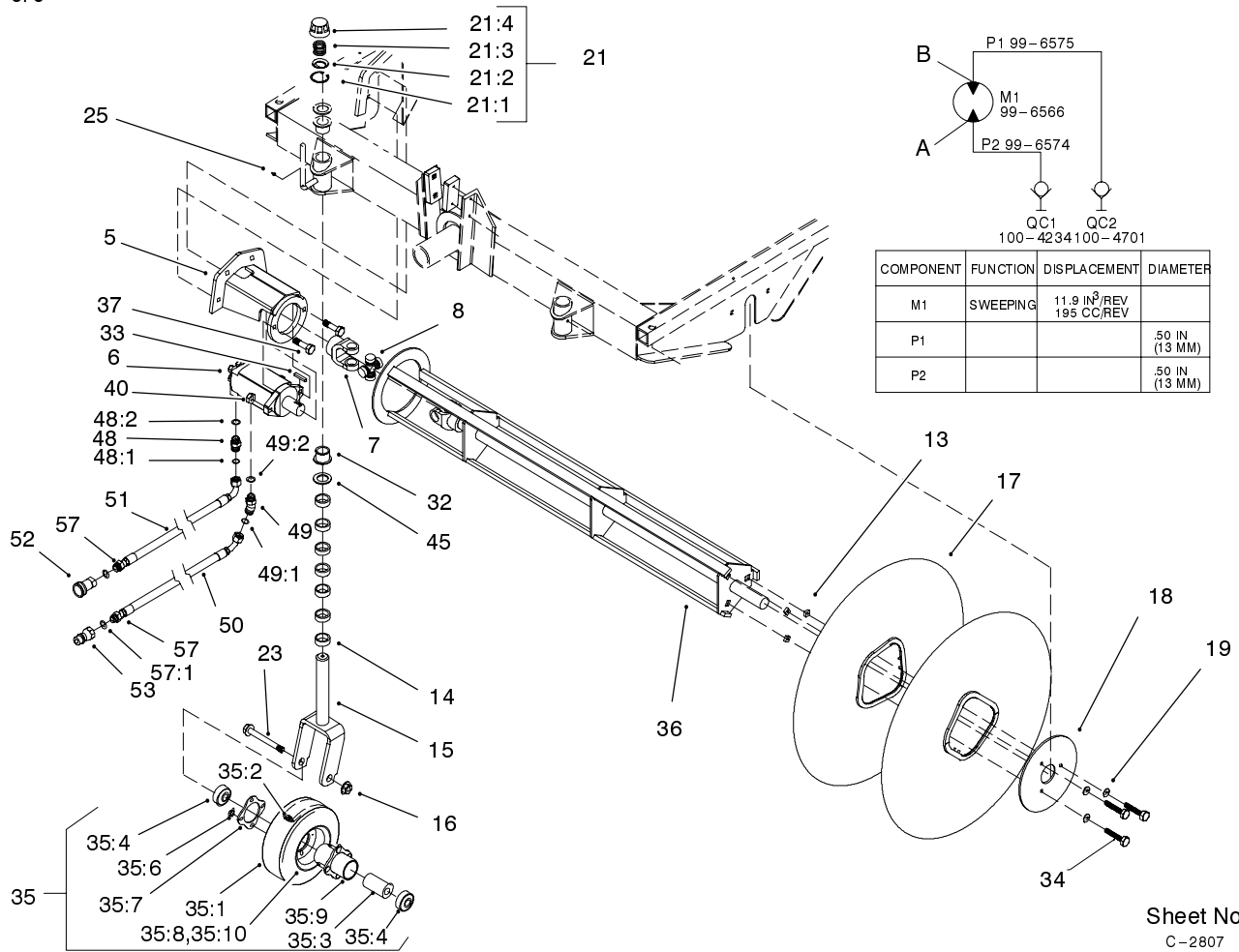


Sheet No.:4  
C-2806

## Head Assembly

Ref. No.	Part No.	Qty.	Description
1	99-6555	1	Cover-Broom
2	99-6553	2	Stand-Broom Head
3	99-6584	2	Pin-Lynch
4	99-6554	1	Plate-Motor Guard
9	99-6571	1	Bearing
10	99-6595	1	Housing-Bearing
11	325-6	4	Screw-HH
12	99-6594	1	Collar-Locking
20	32146-13	4	Nut-Eslok
22	3218-7	4	Nut-Jam
24	99-6583	4	Washer
26	99-9975	4	Roller
27	328-22	2	Screw-HH
28	94-8663	9	Screw
29	104-1876	1	Broom Head Frame ASM
30	325-12	2	Screw-HH
31	325-6	2	Screw-HH
38	86-5350	2	Bumper-Rubber
39	321-4	4	Screw-HH
41	3269-11	9	Rivet
42	99-6560	1	Belting-Rubber
43	99-6587	1	Plate-Mount, Guard
46	3253-7	4	Washer-Lock
47	3256-26	2	Washer-Flat

Ref. No.	Part No.	Qty.	Description
54	3253-3	4	Washer-Lock
60	104-1877	1	Flap-Rear



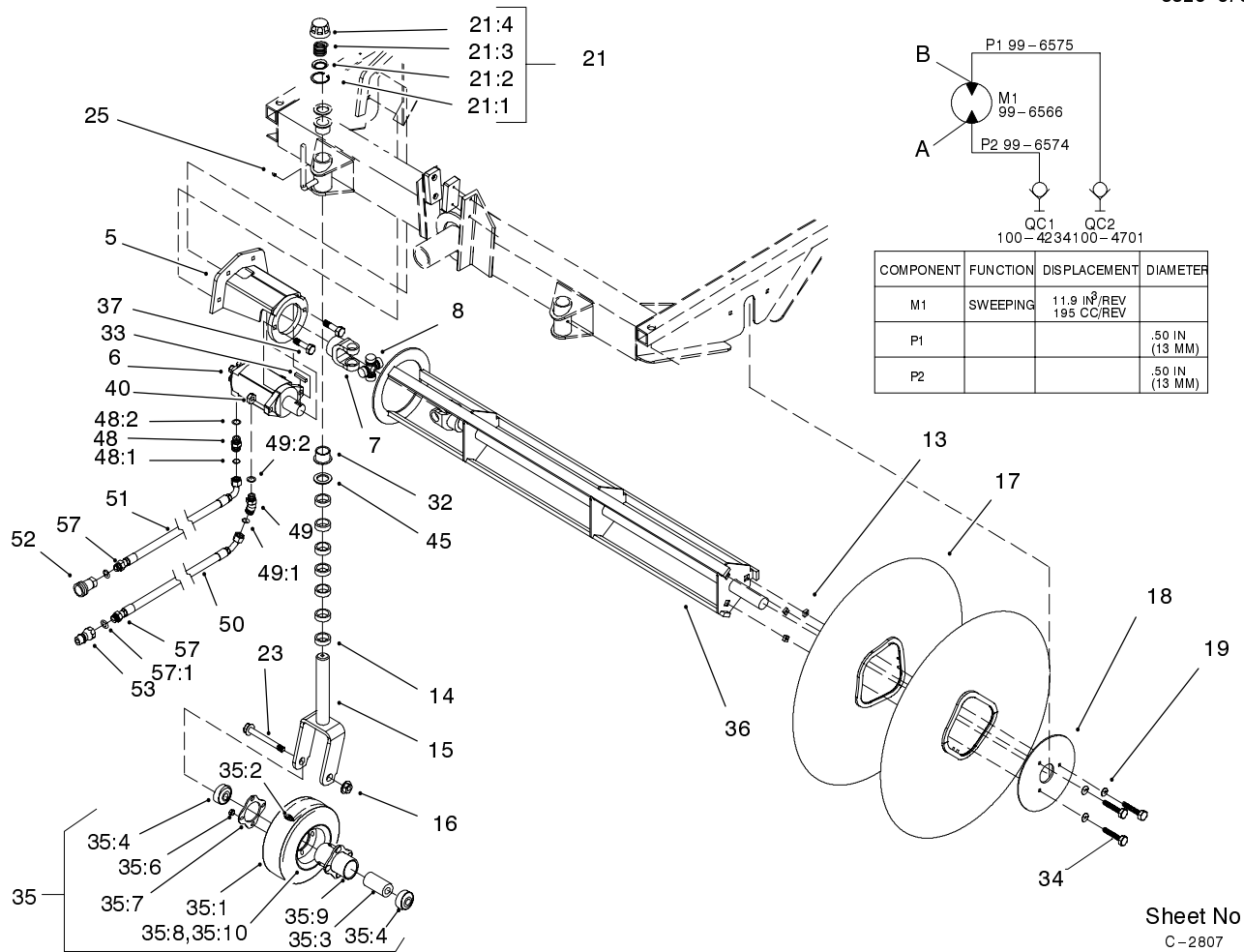
Sheet No.:A  
C-2807

## Rotor Assembly

Ref. No.	Part No.	Qty.	Description
5	99-6564	1	HYD Motor Mount ASM
6	99-6566	1	Motor-Hydraulic
7	99-6569	1	Yoke-Keyed
8	99-6570	1	Cross-Yoke
13	99-6585	3	Retainer-Nut
14	63-0070	14	Spacer
15	93-8431-01	2	Castor Fork ASM
16	3296-53	2	Nut-Lock, NI
17	95-5942	26	Element-Brush, Wire (Optional)
17	94-7372	26	Element - Brush, Poly
18	99-6563	1	Plate-Retainer,Brush
19	3253-5	3	Washer-Lock
21	92-8862	2	HOC Cap ASM
21:1	92-5581	1	Ring-Retaining
21:2	92-5583	1	Washer-Cap
21:3	92-5584	1	Spring-Compression
21:4	92-8861	1	Cap-HOC
23	327-24	2	Screw-HH
25	302-19	9	Fitting-Grease
32	28-9290	4	Spec Bushing
33	99-6567	1	Key-Step
34	323-12	3	Screw-HH
35	93-9938	2	Wheel ASM
35:1	93-9939	1	Tire

Ref. No.	Part No.	Qty.	Description
35:2	68-8950	1	Tube W/Valve
35:3	93-4241	1	Spacer-Bearing, Inner
35:4	93-4237	2	Bearing
35:6	32128-16	4	Nut-HHF
35:7	93-4242	1	Plate
35:8	93-4239	1	Rim-Wheel, Half
35:9	93-5980	1	Hub
35:10	95-2741	1	Rim-Wheel, Half (W/ Valve Stem Hole)
36	99-6562	1	Rotor Frame ASM
37	325-8	2	Screw-HH
40	328-8	2	Screw-HH
45	99-6582	4	Washer
48	340-7	1	Adapter
48:1	237-65	1	O-Ring
48:2	237-80	1	O-Ring
49	340-14	1	Fitting-HYD, 45°
49:1	237-65	1	O-Ring
49:2	237-80	1	O-Ring
50	99-6575	1	Hydraulic Hose ASM
51	99-6574	1	Hydraulic Hose ASM
52	100-4234	1	Coupler-Face, Flush
*52:1	100-6119	1	Kit-Seal
53	100-4701	1	Nipple-Connect, Pressure
*53:1	100-6120	1	Kit-Seal

\* Not illustrated

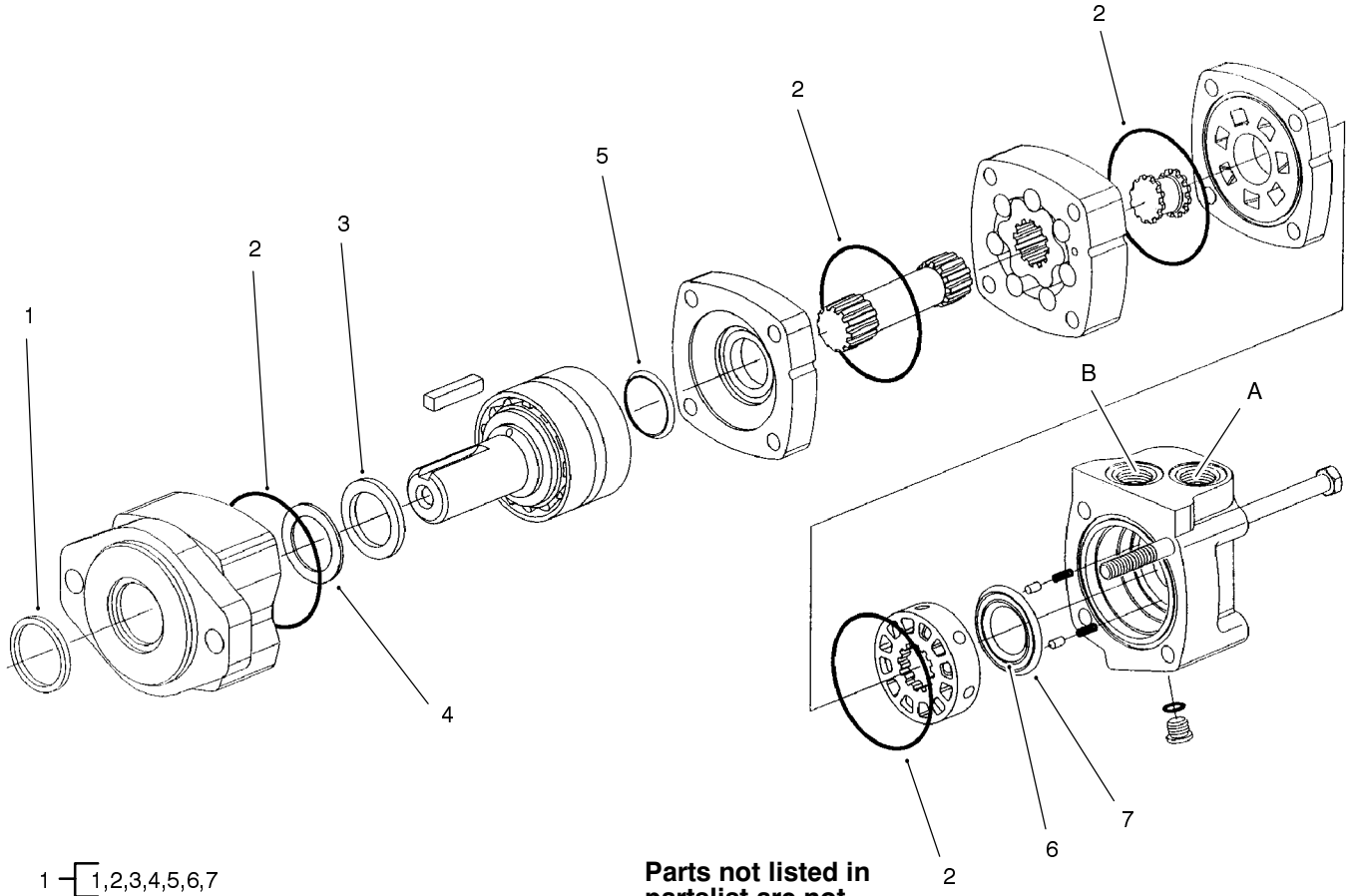


Sheet No.:A  
C-2807

### Rotor Assembly (Continued)

Ref. No.	Part No.	Qty.	Description
57	100-4617	2	Adapter-Hydraulic
57:1	237-80	1	O-Ring

Ref. No.	Part No.	Qty.	Description



1 - [1,2,3,4,5,6,7]

Parts not listed in partslist are not serviced seperately.

Sheet No.:A1  
C-2754

## Hydraulic Motor Assembly No. 99-6566

Ref. No.	Part No.	Qty.	Description
*1	56-6890	1	Kit-Seal

Ref. No.	Part No.	Qty.	Description
----------	----------	------	-------------

\* Not illustrated



# Maintenance Record

Date								

## Maintenance Record

Date									

# Maintenance Record

Date								

