



Super Recycler[®]
Walk Behind Lawn Mower
Model No. 20048–210000001 and Up

Parts Catalog

Ordering Replacement Parts

To order replacement parts, please supply: the part number, the quantity, and the description of each part desired.

Understanding Reference Numbers

Each identified part in an illustration has a reference number. The reference number for a part also appears in the parts list, along with other information about the part.

This catalog uses two special reference number formats, one to indicate parts in a service assembly and another to indicate the quantity of a given part in an illustration.

Service Assembly Reference Numbers

Parts in service assemblies have reference numbers in the form **a:b**. The **a** represents the reference number of the entire service assembly and the **b** represents a sequential number unique to each part within the service assembly.

For example, a wheel assembly might be identified by reference number **6**, the tire by **6:1**, the valve by **6:2**, and the wheel by **6:3**. When you order the assembly identified by reference number **6**, you receive all parts identified by reference numbers **6:1**, **6:2**, and **6:3**. However, you may also order any part individually.

Reference numbers of this type appear in illustrations and in part lists.

Reference Numbers Indicating Quantity

In an illustration, if a reference number indicates more than one part, the reference number has the form **nX y**. The **n** represents the quantity of the part, the **X** is the multiplication symbol, and the **y** represents the reference number.

For example, in an illustration, the reference number **2X 37** means that two of the parts identified by reference number **37** are indicated.

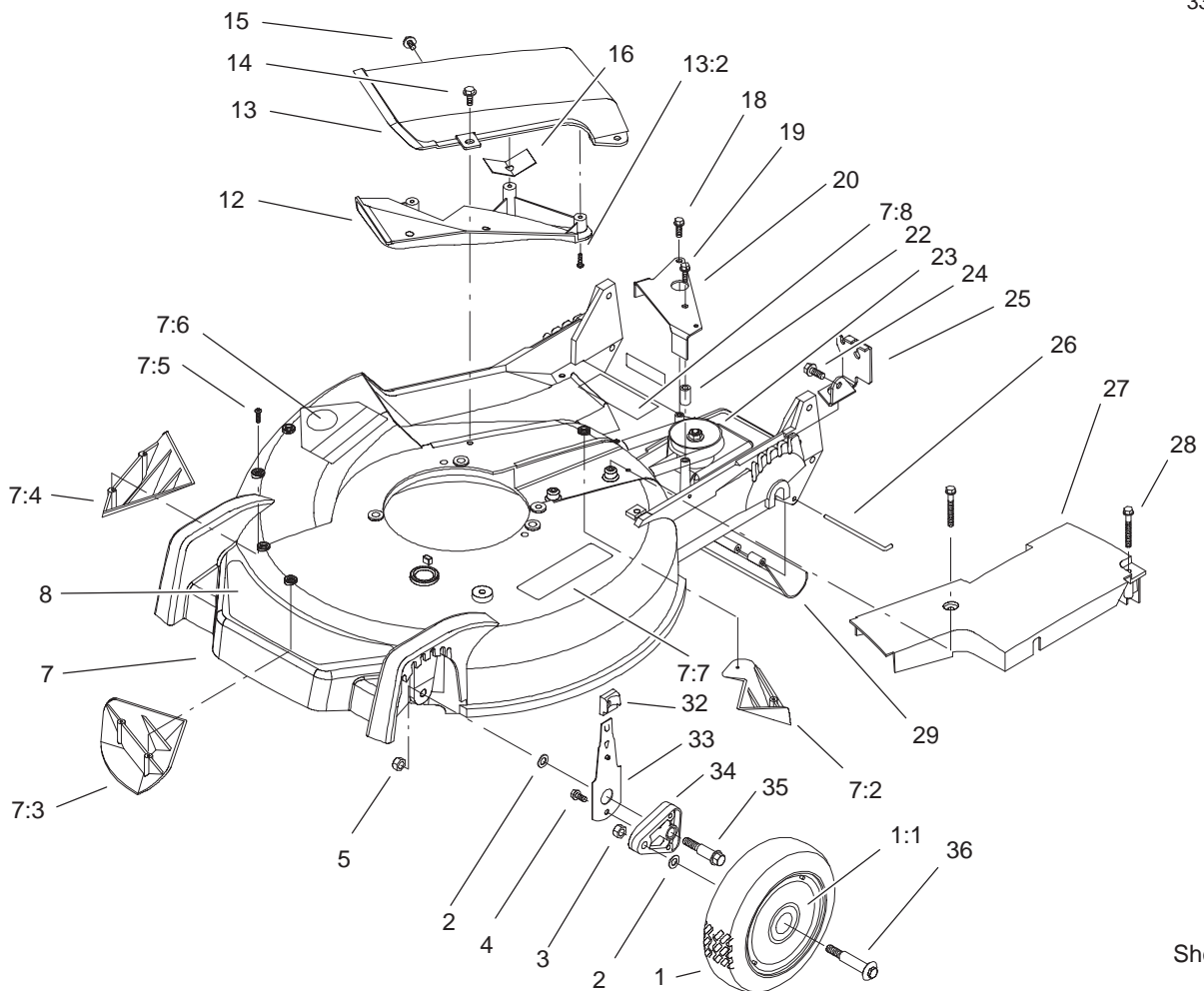
Contents

| Description | Page | Description | Page |
|---|-------------|---|-------------|
| Housing and Wheel Assembly | 3 | Carburetor Overhaul Kit Assembly | |
| Gear Case Assembly 104-7674 | 4 | Briggs and Stratton Model 12J805-2370-B1 | 11 |
| Gear Case and Wheel Assembly | 5 | Controls / Governor / and Magneto Assemblies | |
| Engine and Blade Assembly | 6 | Briggs and Stratton Model 12J805-2370-B1 | 12 |
| Handle Assembly | 7 | Flywheel / Muffler / and Air Cleaner Assemblies | |
| Battery and Switch Assembly | 8 | Briggs and Stratton Model 12J805-2370-B1 | 13 |
| Cylinder and Cylinder Head Assembly | | Housing / Starter / and Fuel Tank Assemblies | |
| Briggs and Stratton Model 12J805-2370-B1 | 9 | Briggs and Stratton Model 12J805-2370-B1 | 14 |
| Crankcase / Crankshaft / Piston / and Valve | | Starter Motor Assembly | |
| Assemblies | | Briggs and Stratton Model 12J805-2370-B1 | 15 |
| Briggs and Stratton Model 12J805-2370-B1 | 10 | Gasket Kits | |
| | | Briggs and Stratton Model 12J805-2370-B1 | 16 |

Part Description Abbreviations

Part descriptions in this catalog may include the following abbreviations.

| Abbreviation | Meaning | Abbreviation | Meaning |
|---------------------|-----------------------------------|---------------------|-------------------------|
| AR | as required | HYD | hydraulic |
| ASM | assembly | INC | incorporated |
| CARR | carriage | LH | left hand |
| DEG | degrees | NI | nylon insert |
| FH | flat head | PPH | Phillips pan head |
| GA | gauge | PTH | Phillips truss head |
| HF | hex flange | PTO | power take off |
| HH | hex head | RH | right hand |
| HHF | hex head flange | SFH | slotted fillister head |
| HLH | hex lag head | SHH | slotted hex head |
| HJ | hex jam | SQH | square head |
| HOC | height-of-cut | SHWH | slotted hex washer head |
| HS | hex socket | SPH | slotted pan head |
| HSBH | hex socket button head | SRH | slotted round head |
| HSFH | hex socket flat head | STD | standard |
| HSH | hex socket head | TAP | self tapping |
| HWH | hex washer head | TTH | Torx truss head |
| HWHTF | hex washer head thread forming | WH | wing head |

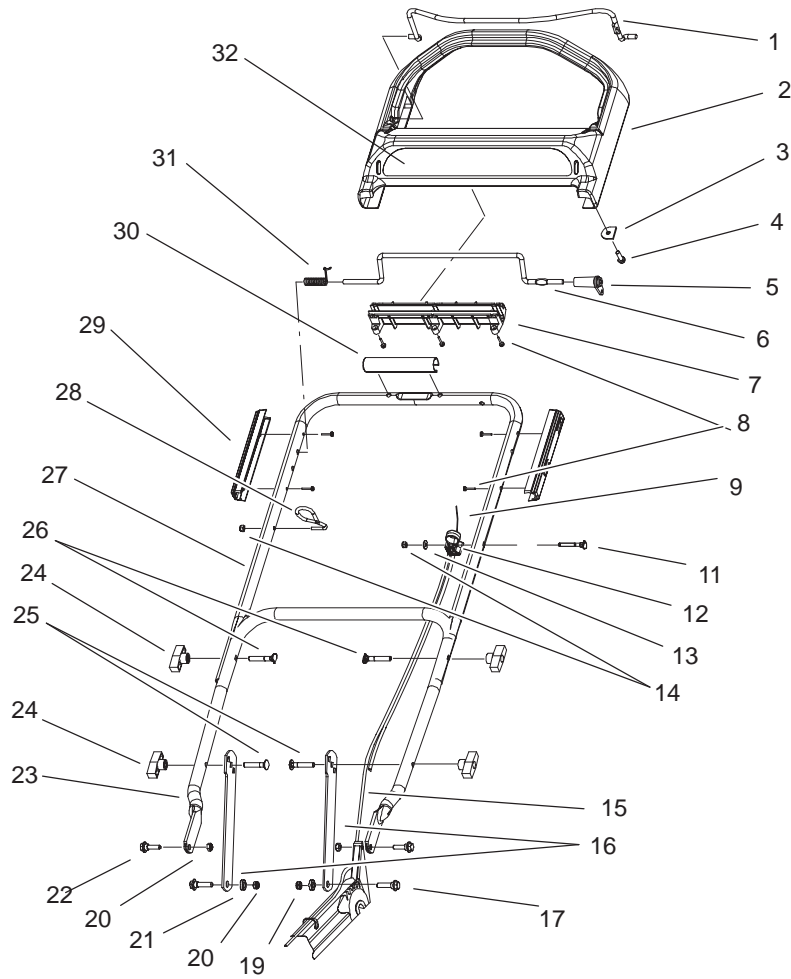


Sheet No.:2

Housing and Wheel Assembly

| Ref. No. | Part No. | Qty. | Description |
|----------|------------|------|-------------------------------|
| 1 | 98-7130 | 2 | Wheel ASM |
| 1:1 | 27-6250 | 2 | Bushing |
| 2 | 40-1940 | 4 | Washer |
| 3 | 603773 | 2 | Nut |
| 4 | 32144-85 | 2 | Screw-HH |
| 5 | 3296-6 | 2 | Nut-Lock, NI |
| 7 | 98-7148 | 1 | Housing - Service |
| 7:2 | 92-1750 | 1 | Kicker-Rear |
| 7:3 | 92-1720 | 1 | Kicker-Front |
| 7:4 | 92-1730 | 1 | Kicker-RH |
| 7:5 | 32144-111 | 6 | Screw-PPH |
| 7:6 | 43-8480 | 1 | Decal-Danger |
| 7:7 | 93-0248 | 1 | Decal - Warning |
| 7:8 | 99-6018 | 1 | Decal - Warning |
| 8 | 99-6010 | 1 | Decal - Deck |
| 12 | 82-8620 | 1 | Deflector |
| 13 | 100-8775 | 1 | Recycler Cover ASM |
| 13:2 | 32144-111 | 5 | Screw-PPH |
| 14 | 46-6811 | 3 | Screw-HWH |
| 15 | 46-6810 | 1 | Screw & Washer ASM |
| 16 | 83-4750 | 1 | Cover Guard |
| 18 | 49-2040 | 1 | Screw-Tapping |
| 19 | 92-1616 | 1 | Screw-HWHTF |
| 20 | 99-1513-03 | 1 | Bracket-Transmission Actuator |

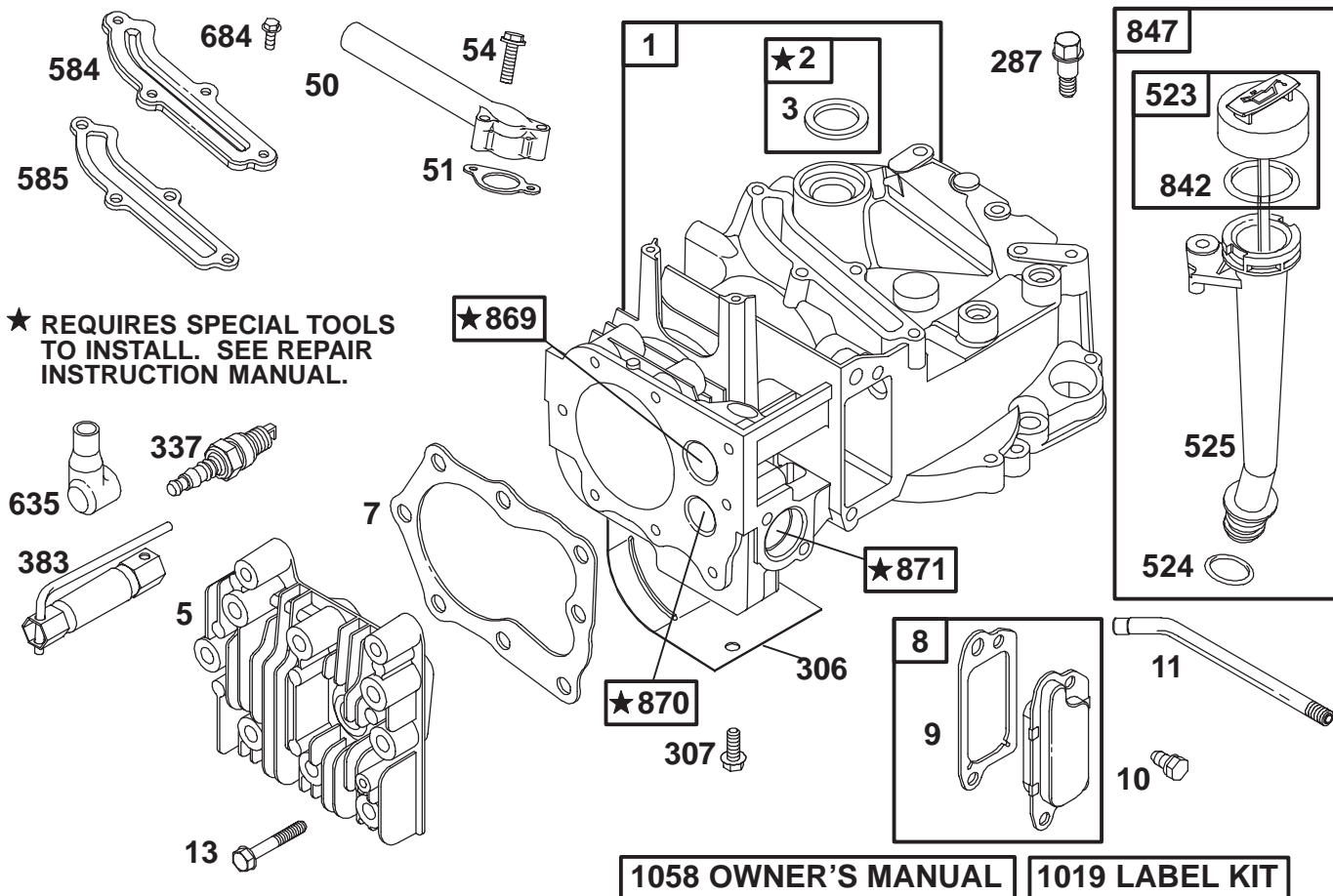
| Ref. No. | Part No. | Qty. | Description |
|----------|------------|------|-------------------------|
| 22 | 614673 | 1 | Bushing-Plate, Actuator |
| 23 | 104-7674 | 1 | Gear Case ASM |
| 24 | 32144-70 | 1 | Screw-HH |
| 25 | 99-1512-03 | 1 | Bracket-Cable, Traction |
| 26 | 33-3208 | 1 | Rod-Shield |
| 27 | 104-7906 | 1 | Cover-Belt |
| 28 | 37-7260 | 1 | Screw-HH |
| 29 | 44-0580 | 1 | Shield-Trailing |
| 32 | 25-7740 | 2 | Knob-Arm |
| 33 | 66-0541 | 2 | Front Spring Arm ASM |
| 34 | 66-0580 | 2 | Arm-Pivot, Front |
| 35 | 66-0560 | 2 | Bolt-Shoulder |
| 36 | 92-1057 | 2 | Bolt-Shoulder |



Sheet No.:8

Handle Assembly

| Ref. No. | Part No. | Qty. | Description | Ref. No. | Part No. | Qty. | Description |
|----------|------------|------|--------------------------------|----------|----------|------|-----------------------|
| 1 | 99-1593-03 | 1 | Bail-Brake | 28 | 86-9671 | 1 | Guide-Rope |
| 2 | 99-1582 | 1 | Handle-Control | 29 | 99-1590 | 2 | Guide-Handle, Control |
| 3 | 99-1595 | 1 | Retainer-Cable, Brake | 30 | 99-6339 | 1 | Cover-Handle |
| 4 | 46-8091 | 1 | Screw-HWH | 31 | 99-1592 | 1 | Spring-Torsion, RH |
| 5 | 99-1589 | 1 | Lever-Traction | 32 | 99-6009 | 1 | Decal - Console |
| 6 | 99-1588 | 1 | Bar-Control, Traction | | | | |
| 7 | 99-6008 | 1 | Retainer-Control Rod, Traction | | | | |
| 8 | 94-4496 | 10 | Screw-PPH | | | | |
| 9 | 100-1186 | 1 | Cable-Brake | | | | |
| 11 | 95-4453 | 1 | Screw-Handle | | | | |
| 12 | 99-5239 | 1 | Anchor-Cable | | | | |
| 13 | 3256-1 | 1 | Washer-Flat | | | | |
| 14 | 3296-73 | 2 | Nut-Lock, NI | | | | |
| 15 | 99-1584 | 1 | Cable-Traction | | | | |
| 16 | 99-5248-03 | 2 | Latch-Handle | | | | |
| 17 | 27-7210 | 2 | Screw-Shoulder | | | | |
| 19 | 3296-47 | 1 | Nut-Lock, NI | | | | |
| 20 | 3296-72 | 3 | Nut-Lock, NI | | | | |
| 21 | 3-3287 | 2 | Spacer-Latch, Handle | | | | |
| 22 | 27-7211 | 2 | Screw-Shoulder | | | | |
| 23 | 99-5249-05 | 1 | Handle-Lower | | | | |
| 24 | 98-7134 | 4 | Knob-Handle | | | | |
| 25 | 99-6019 | 2 | Screw-CARR | | | | |
| 26 | 92-2260 | 2 | Screw-Handle | | | | |
| 27 | 99-1596-05 | 1 | Handle-Upper | | | | |



Assemblies include all parts shown in frames.

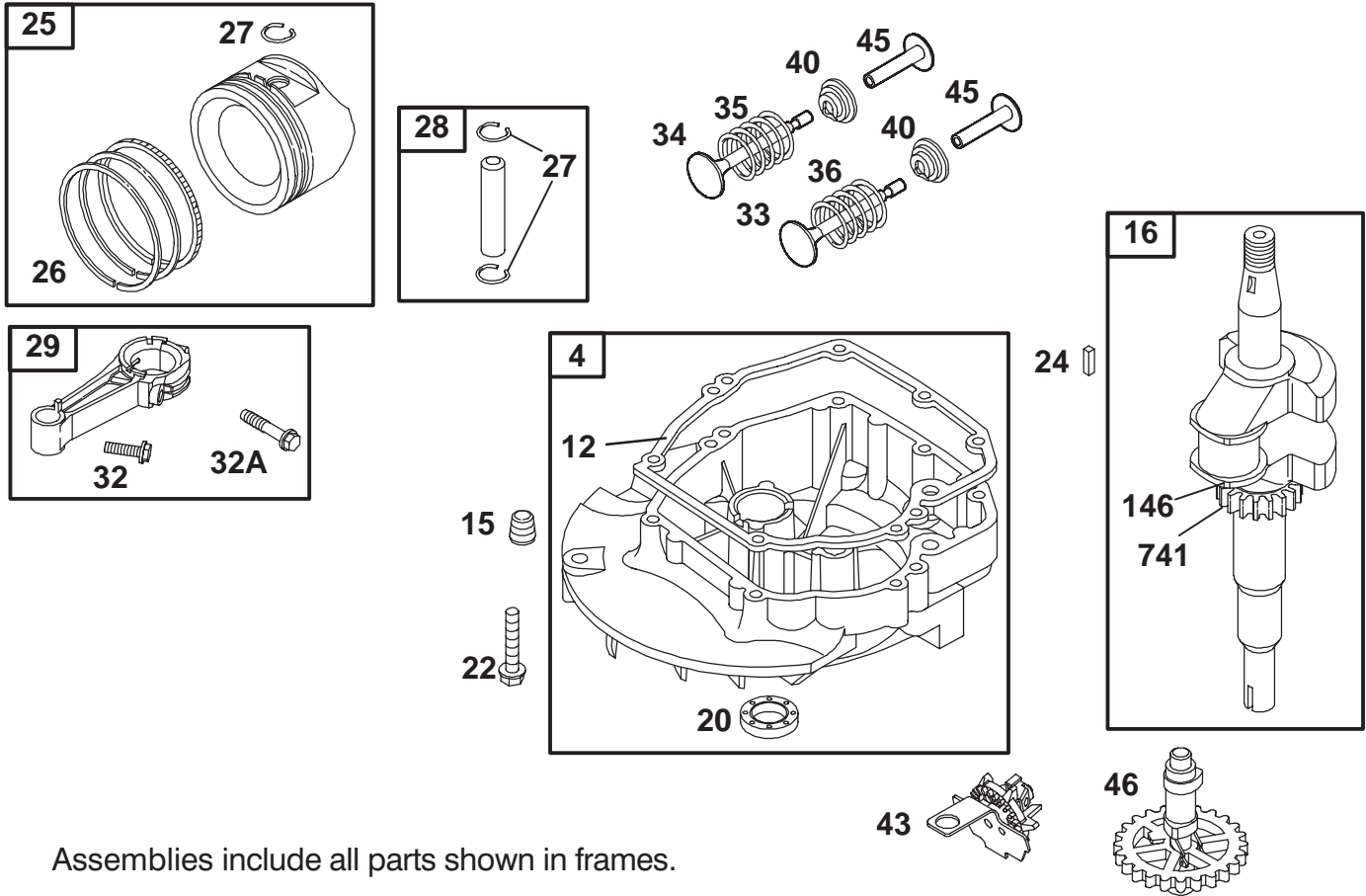
Cylinder and Cylinder Head Assembly Briggs and Stratton Model 12J805-2370-B1

| Ref. No. | Part No. | Qty. | Description |
|----------|----------|------|---------------------------------|
| 1 | 494062 | 1 | Cylinder Assembly |
| 2 | 399269 | 1 | Bearing/Seal Kit (Magneto Side) |
| ★3 | 299819 | 1 | Oil Seal (Magneto Side) |
| 5 | 691160 | 1 | Cylinder Head |
| Δ★7 | 692249 | 1 | Cylinder Head Gasket |
| 8 | 695250 | 1 | Breather Assembly |
| Δ★9 | 272481 | 1 | Breather Gasket |
| 10 | 94650 | 1 | Screw (Breather Assembly) |
| 11 | 691781 | 1 | Breather Tube |
| 13 | 690912 | 1 | Screw (Cylinder Head) |
| 50 | 497465 | 1 | Intake Manifold |
| ★51 | 272199 | 1 | Intake Gasket |
| 54 | 691650 | 1 | Screw (Intake Manifold) |
| 287 | 690940 | 1 | Screw (Dipstick Tube) |
| 306 | 690450 | 1 | Cylinder Shield |
| 307 | 690345 | 1 | Screw (Cylinder Shield) |
| 337 | 802592 | 1 | Sparkplug |
| 383 | 89838 | 1 | Sparkplug Wrench |
| 523 | 495264 | 1 | Dipstick |
| ★524 | 692296 | 1 | Dipstick Tube Seal |

| Ref. No. | Part No. | Qty. | Description |
|----------|----------|------|--------------------------------|
| 525 | 495265 | 1 | Dipstick Tube |
| 584 | 692342 | 1 | Breather Passage Cover |
| ★585 | 691879 | 1 | Breather Passage Gasket |
| 635 | 66538 | 1 | Sparkplug Boot |
| 684 | 690345 | 1 | Screw (Breather Passage Cover) |
| ★842 | 691031 | 1 | O Ring Seal (Dipstick Tube) |
| 847 | 692017 | 1 | Dipstick/Tube Assembly |
| 869 | 691155 | 1 | Valve Seat (Intake) |
| 870 | 690380 | 1 | Valve Seat (Exhaust) |
| 871 | 262001 | 1 | Valve Guide Bushing (Exhaust) |
| | 63709 | 1 | Valve Guide Bushing (Intake) |
| 1019 | 498606 | 1 | Label Kit |
| 1058 | 274783 | 1 | Owner's Manual |
| | 696276 | 1 | Short Block |

Δ Included in Valve Gasket Set-Ref. 1095.
★ Included in Engine Gasket Set-Ref. 358.

● Included in Carburetor Overhaul Kit-Ref. 121.
◆ Included in Carburetor Gasket Set-Ref. 977



Assemblies include all parts shown in frames.

Crankcase / Crankshaft / Piston / and Valve Assemblies Briggs and Stratton Model 12J805-2370-B1

| Ref. No. | Part No. | Qty. | Description |
|----------|----------|------|----------------------------------|
| 4 | 493279 | 1 | Engine Sump |
| ★12 | 692232 | 1 | Crankcase Gasket |
| 15 | 691680 | 1 | Oil Drain Plug |
| 16 | 696009 | 1 | Crankshaft |
| ★20 | 399781 | 1 | Oil Seal |
| 22 | 691092 | 1 | Screw (Engine Sump) |
| 24 | 222698 | 1 | Flywheel Key |
| 25 | 499429 | 1 | Piston Assembly (Standard) |
| | 499430 | 1 | Piston Assembly (.010" Oversize) |
| | 499431 | 1 | Piston Assembly (.020" Oversize) |
| | 499432 | 1 | Piston Assembly (.030" Oversize) |
| 26 | 499425 | 1 | Ring Set (Standard) |
| | 499426 | 1 | Ring Set (.010" Oversize) |
| | 499427 | 1 | Ring Set (.020" Oversize) |
| | 499428 | 1 | Ring Set (.030" Oversize) |
| 27 | 691866 | 1 | Piston Pin Lock |

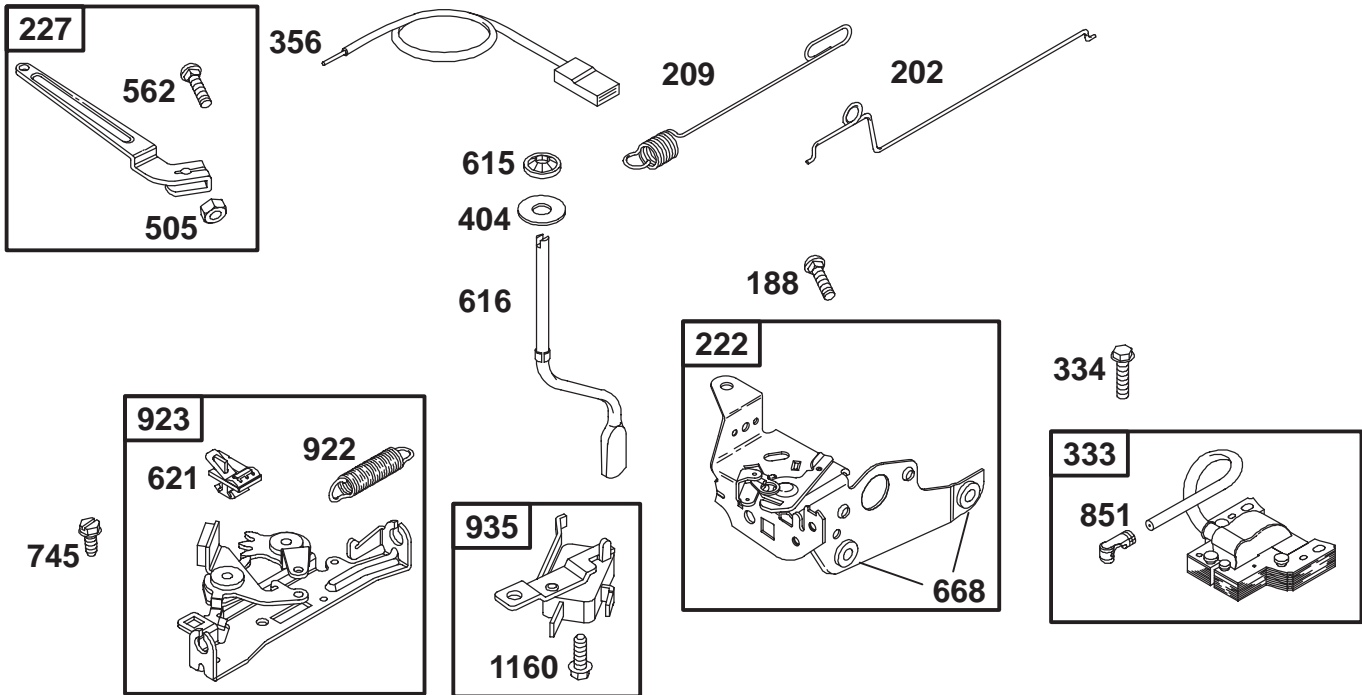
| Ref. No. | Part No. | Qty. | Description |
|----------|----------|------|-----------------------------|
| 28 | 499423 | 1 | Piston Pin (Standard) |
| | 298908 | 1 | Piston Pin (.005" Oversize) |
| 29 | 499424 | 1 | Connecting Rod (Standard) |
| 32 | 691664 | 1 | Screw (Connecting Rod) |
| 32A | 695759 | 1 | Screw (Connecting Rod) |
| 33 | 262651 | 1 | Exhaust Valve |
| 34 | 262652 | 1 | Intake Valve |
| 35 | 691270 | 1 | Valve Spring (Intake) |
| 36 | 691270 | 1 | Valve Spring (Exhaust) |
| 40 | 692194 | 1 | Valve Retainer |
| 43 | 691997 | 1 | Governor/Oil Slinger |
| 45 | 690548 | 1 | Valve Keeper |
| 46 | 691449 | 1 | Camshaft |
| 146 | 690979 | 1 | Timing Key |
| 741 | 691830 | 1 | Timing Gear |

△ Included in Valve Gasket Set-Ref. 1095.

★ Included in Engine Gasket Set-Ref. 358.

● Included in Carburetor Overhaul Kit-Ref. 121.

◆ Included in Carburetor Gasket Set-Ref. 977.



Assemblies include all parts shown in frames.

Controls / Governor / and Magneto Assemblies Briggs and Stratton Model 12J805-2370-B1

| Ref. No. | Part No. | Qty. | Description |
|----------|----------|------|--------------------------------|
| 188 | 690877 | 1 | Screw (Control Bracket) |
| 202 | 691829 | 1 | Mechanical Governor Link |
| 209 | 691292 | 1 | Governor Spring |
| 222 | 692467 | 1 | Control Bracket |
| 227 | 690783 | 1 | Governor Control Lever |
| 333 | 802574 | 1 | Magneto Armature |
| 334 | 691061 | 1 | Screw (Magneto Armature) |
| 356 | 692390 | 1 | Stop Wire |
| 404 | 690272 | 1 | Washer (Governor Crank) |
| 505 | 231082 | 1 | Nut (Governor Control Lever) |
| 562 | 92613 | 1 | Screw (Governor Control Lever) |
| 615 | 690340 | 1 | Governor Shaft Retainer |
| 616 | 691306 | 1 | Governor Crank |
| 621 | 692310 | 1 | Stop Switch |
| ★668 | 493823 | 1 | Spacer (Includes 2) |

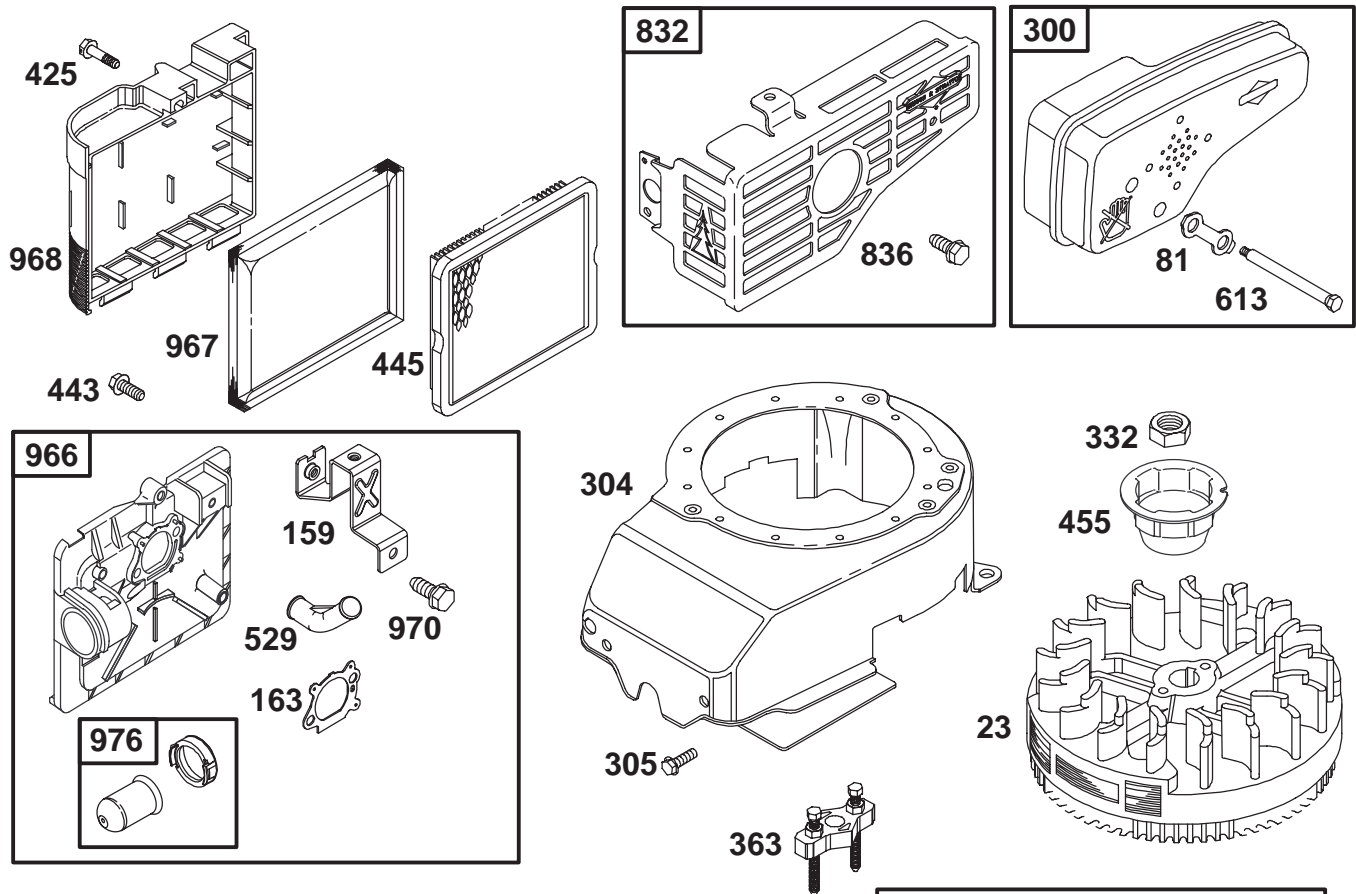
| Ref. No. | Part No. | Qty. | Description |
|----------|----------|------|--------------------------|
| 745 | 691648 | 1 | Screw (Brake) |
| 851 | 493880 | 1 | Sparkplug Terminal |
| 922 | 691831 | 1 | Brake Spring |
| 923 | 691994 | 1 | Brake |
| 935 | 499421 | 1 | Interlock Switch |
| 1160 | 691627 | 1 | Screw (Interlock Switch) |

△ Included in Valve Gasket Set-Ref. 1095.

★ Included in Engine Gasket Set-Ref. 358.

● Included in Carburetor Overhaul Kit-Ref. 121.

◆ Included in Carburetor Gasket Set-Ref. 977.



Assemblies include all parts shown in frames.

1036 LABEL-EMISSIONS

Flywheel / Muffler / and Air Cleaner Assemblies Briggs and Stratton Model 12J805-2370-B1

| Ref. No. | Part No. | Qty. | Description |
|----------|----------|------|------------------------------|
| 23 | 691987 | 1 | Flywheel |
| 81 | 691740 | 1 | Muffler Screw Lock |
| 159 | 691753 | 1 | Air Cleaner Primer Bracket |
| ★◆163 | 272653 | 1 | Air Cleaner Gasket |
| 300 | 694048 | 1 | Muffler |
| 304 | 694092 | 1 | Blower Housing |
| 305 | 691108 | 1 | Screw (Blower Housing) |
| 332 | 690662 | 1 | Nut (Flywheel) |
| 363 | 19069 | 1 | Flywheel Puller |
| 425 | 690670 | 1 | Screw (Air Cleaner Cover) |
| 443 | 692523 | 1 | Screw (Air Cleaner Base) |
| 445 | 491588 | 1 | Air Cleaner Cartridge Filter |
| 455 | 691219 | 1 | Flywheel Cup |
| 529 | 691923 | 1 | Grommet |
| 613 | 691114 | 1 | Screw (Muffler) |
| 832 | 497683 | 1 | Muffler Guard |
| 836 | 690664 | 1 | Screw (Muffler Guard) |
| 966 | 496116 | 1 | Air Cleaner Primer Base |

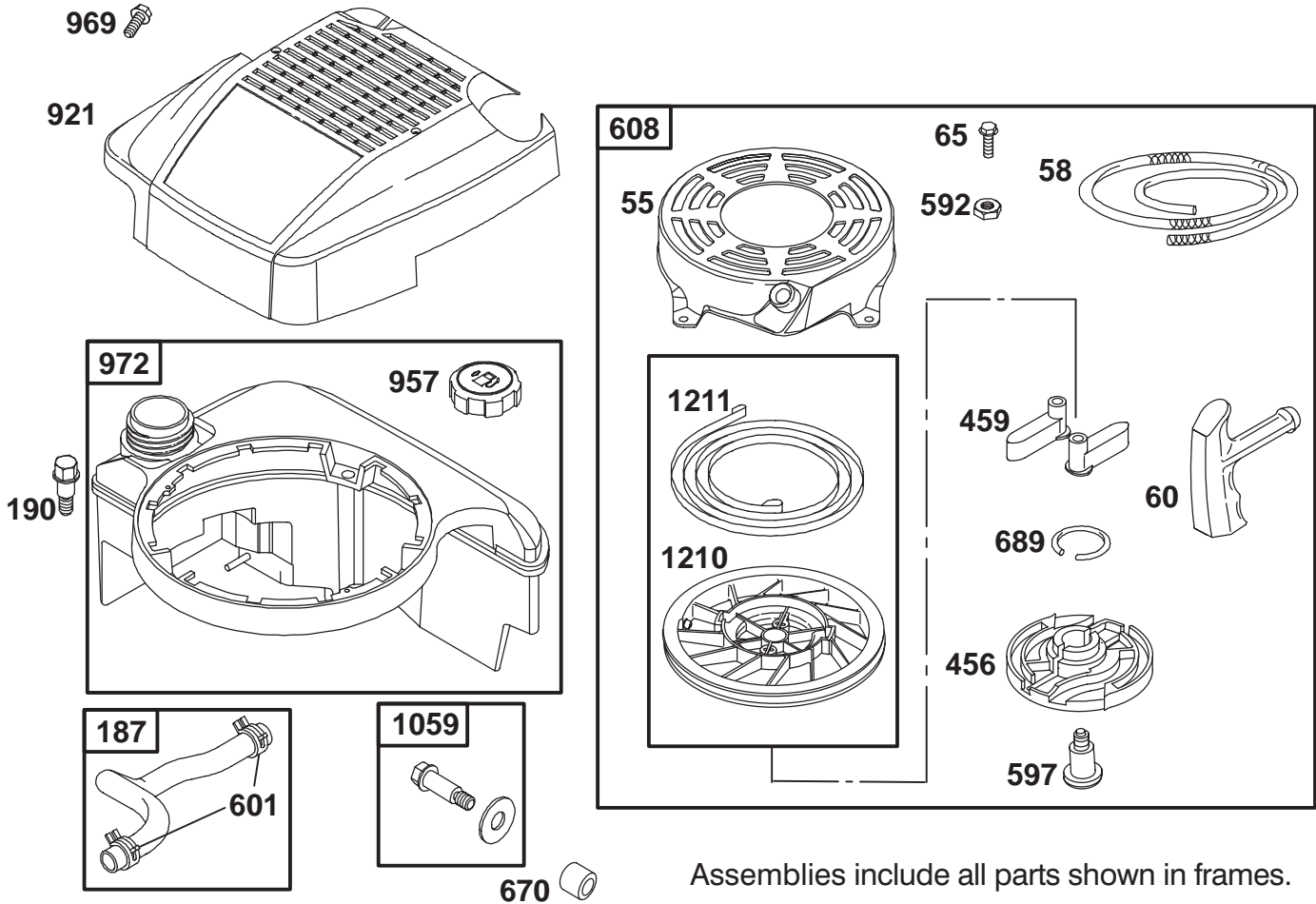
| Ref. No. | Part No. | Qty. | Description |
|----------|----------|------|------------------------------------|
| 967 | 493537 | 1 | Pre Cleaner Filter |
| 968 | 692298 | 1 | Air Cleaner Cover |
| 970 | 691669 | 1 | Screw (Air Cleaner Primer Bracket) |
| 976 | 694395 | 1 | Carburetor Primer |
| 1036 | 695111 | 1 | Emissions Label |

△ Included in Valve Gasket Set-Ref. 1095.

★ Included in Engine Gasket Set-Ref. 358.

● Included in Carburetor Overhaul Kit-Ref. 121.

◆ Included in Carburetor Gasket Set-Ref. 977.



Assemblies include all parts shown in frames.

Housing / Starter / and Fuel Tank Assemblies Briggs and Stratton Model 12J805-2370-B1

| Ref. No. | Part No. | Qty. | Description |
|----------|----------|------|------------------------------|
| 55 | 691421 | 1 | Rewind Starter Housing |
| 58 | 280399 | 1 | Starter Rope |
| 60 | 281434 | 1 | Starter Rope Grip |
| 65 | 690837 | 1 | Screw (Rewind Starter) |
| 187 | 691371 | 1 | Fuel Line |
| 190 | 690940 | 1 | Screw (Fuel Tank) |
| 456 | 692299 | 1 | Pawl Friction Plate |
| 459 | 281505 | 1 | Pawl Ratchet |
| 592 | 690800 | 1 | Nut (Rewind Starter) |
| 597 | 691696 | 1 | Screw (Pawl Friction Plate) |
| 601 | 95162 | 1 | Hose Clamp |
| 608 | 497680 | 1 | Rewind Starter |
| 670 | 692294 | 1 | Fuel Tank Spacer |
| 689 | 691855 | 1 | Friction Spring |
| 921 | 692931 | 1 | Blower Housing Cover |
| 957 | 495224 | 1 | Fuel Tank Cap |
| 969 | 690700 | 1 | Screw (Blower Housing Cover) |
| 972 | 495224 | 1 | Fuel Tank |
| 1059 | 692311 | 1 | Screw/Washer Kit |

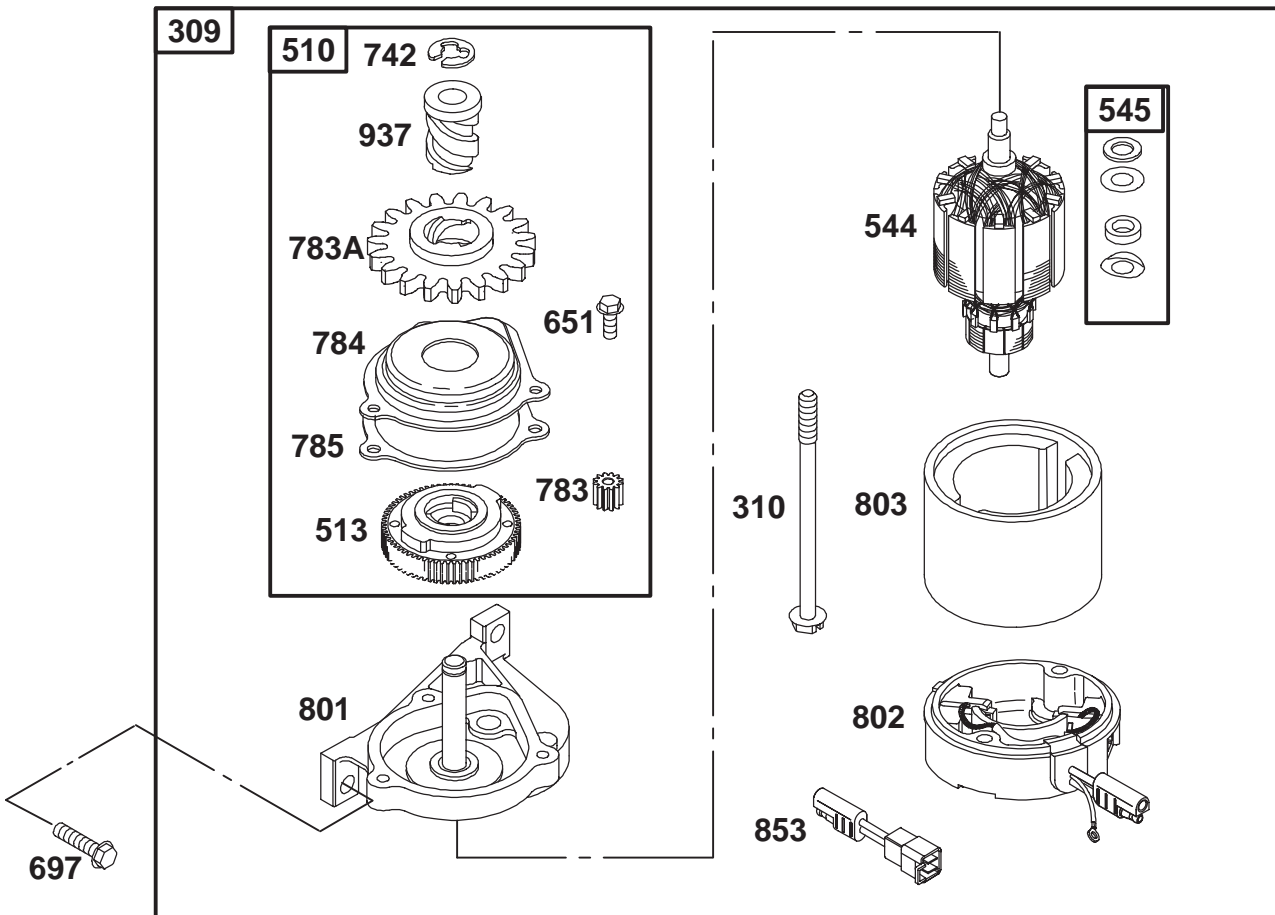
| Ref. No. | Part No. | Qty. | Description |
|----------|----------|------|---------------------------------|
| 1210 | 498144 | 1 | Pulley/Spring Assembly (Pulley) |
| 1211 | 498144 | 1 | Pulley/Spring Assembly (Spring) |

△ Included in Valve Gasket Set-Ref. 1095.

★ Included in Engine Gasket Set-Ref. 358.

● Included in Carburetor Overhaul Kit-Ref. 121.

◆ Included in Carburetor Gasket Set-Ref. 977.



Assemblies include all parts shown in frames.

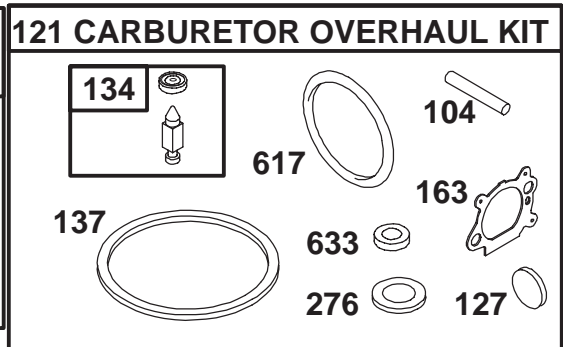
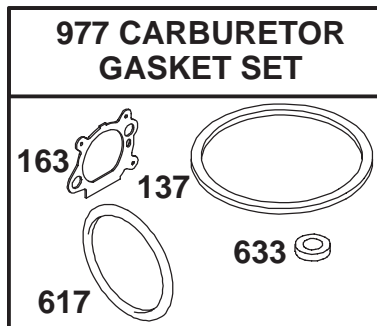
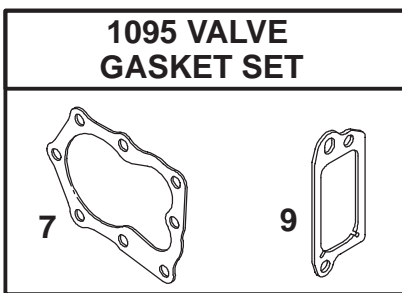
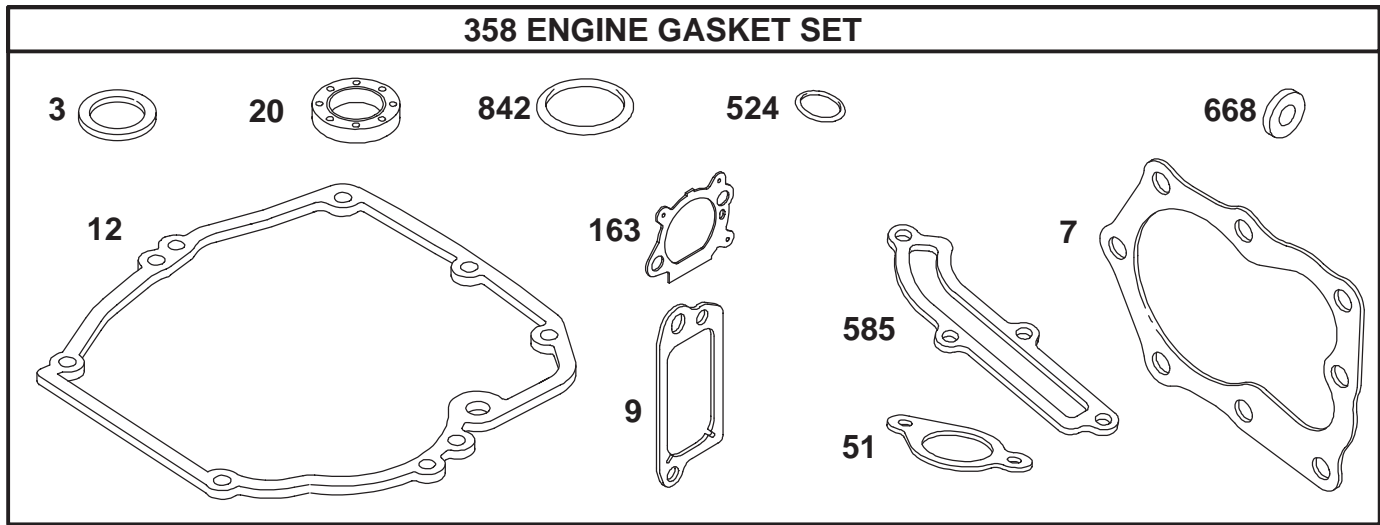
Starter Motor Assembly Briggs and Stratton Model 12J805-2370-B1

| Ref. No. | Part No. | Qty. | Description |
|----------|----------|------|-----------------------------|
| 309 | 695550 | 1 | Starter Motor |
| 310 | 692327 | 1 | Bolt (Starter Motor) |
| 510 | 494147 | 1 | Starter Drive |
| 513 | 692358 | 1 | Drive Clutch |
| 544 | 690786 | 1 | Armature Starter |
| 545 | 492919 | 1 | Washer Set |
| 651 | 93490 | 1 | Screw (Starter Gear Cover) |
| 697 | 690345 | 1 | Screw (Drive Cap) |
| 742 | 93941 | 1 | Retainer-E Ring |
| 783 | 691269 | 1 | Pinion Gear (Drive Clutch) |
| 783A | 691918 | 1 | Pinion Gear (Starter Drive) |
| 784 | 692341 | 1 | Starter Gear Cover |
| 785 | 692352 | 1 | Starter Cover Gasket |
| 801 | 690782 | 1 | Drive Cap |
| 802 | 695267 | 1 | End Cap |
| 803 | 695266 | 1 | Starter Housing |
| 853 | 695268 | 1 | Wire Adapter |
| 937 | 691325 | 1 | Starter Spline |

| Ref. No. | Part No. | Qty. | Description |
|----------|----------|------|-------------|
| | | | |

△ Included in Valve Gasket Set-Ref. 1095.
 ★ Included in Engine Gasket Set-Ref. 358.

● Included in Carburetor Overhaul Kit-Ref. 121.
 ◆ Included in Carburetor Gasket Set-Ref. 977.



Assemblies include all parts shown in frames.

Gasket Kits Briggs and Stratton Model 12J805-2370-B1

| Ref. No. | Part No. | Qty. | Description |
|----------|----------|------|-------------------------------|
| ★3 | 299819 | 1 | Oil Seal (Magneto Side) |
| ★Δ7 | 692249 | 1 | Cylinder Head Gasket |
| ★Δ9 | 272481 | 1 | Breather Gasket |
| ★12 | 692232 | 1 | Crankcase Gasket |
| ★20 | 399781 | 1 | Oil Seal (PTO Side) |
| ★51 | 272199 | 1 | Intake Gasket |
| ●104 | 691242 | 1 | Float Hinge Pin |
| 121 | 498260 | 1 | Carburetor Overhaul Kit |
| ●127 | 694468 | 1 | Welch Plug |
| ●134 | 398188 | 1 | Needle/Seat Kit |
| ●◆137 | 693981 | 1 | Float Bowl Gasket |
| ★◆163 | 272653 | 1 | Air Cleaner Gasket |
| ●276 | 271716 | 1 | Sealing Washer |
| 358 | 497316 | 1 | Engine Gasket Set |
| ★524 | 692296 | 1 | Dipstick Tube Seal |
| ★585 | 691879 | 1 | Breather Passage Gasket |
| ●◆617 | 270344 | 1 | O Ring Seal (Intake Manifold) |
| ●◆633 | 691321 | 1 | Choke Throttle Shaft Seal |
| ★668 | 493823 | 1 | Spacer (Includes 2) |

| Ref. No. | Part No. | Qty. | Description |
|----------|----------|------|-----------------------------|
| ★842 | 691031 | 1 | O Ring Seal (Dipstick Tube) |
| 977 | 498261 | 1 | Carburetor Gasket Set |
| 1095 | 498528 | 1 | Valve Gasket Set |

Δ Included in Valve Gasket Set-Ref. 1095.

★ Included in Engine Gasket Set-Ref. 358.

● Included in Carburetor Overhaul Kit-Ref. 121.

◆ Included in Carburetor Gasket Set-Ref. 977.

