



**Count on it.**

**Parts Catalog**

**ProStripe  
560 Mower**

Model No. 02657—Serial No. 407000000 and Up



# Ordering Replacement Parts

To order replacement parts, please supply the part number, the quantity, and the description of each part desired.

## Understanding Reference Numbers

Each identified part in an illustration has a reference number. The reference number for a part also appears in the parts list, along with other information about the part.

This catalog uses two special reference number formats, one to indicate parts in a service assembly and another to indicate the quantity of a given part in an illustration.

## Service Assembly Reference Numbers

Parts in service assemblies have reference numbers in the form a:b. The a represents the reference number of the entire service assembly and the b represents a sequential number unique to each part within the service assembly.

For example, a wheel assembly might be identified by reference number 6, the tire by 6:1, the valve by 6:2, and the wheel by 6:3. When you order the assembly identified by reference number 6, you receive all parts identified by reference numbers 6:1, 6:2, and 6:3. However, you may also order any part individually. Reference numbers of this type appear in illustration and in parts lists.

## Reference Numbers Indicating Quantity

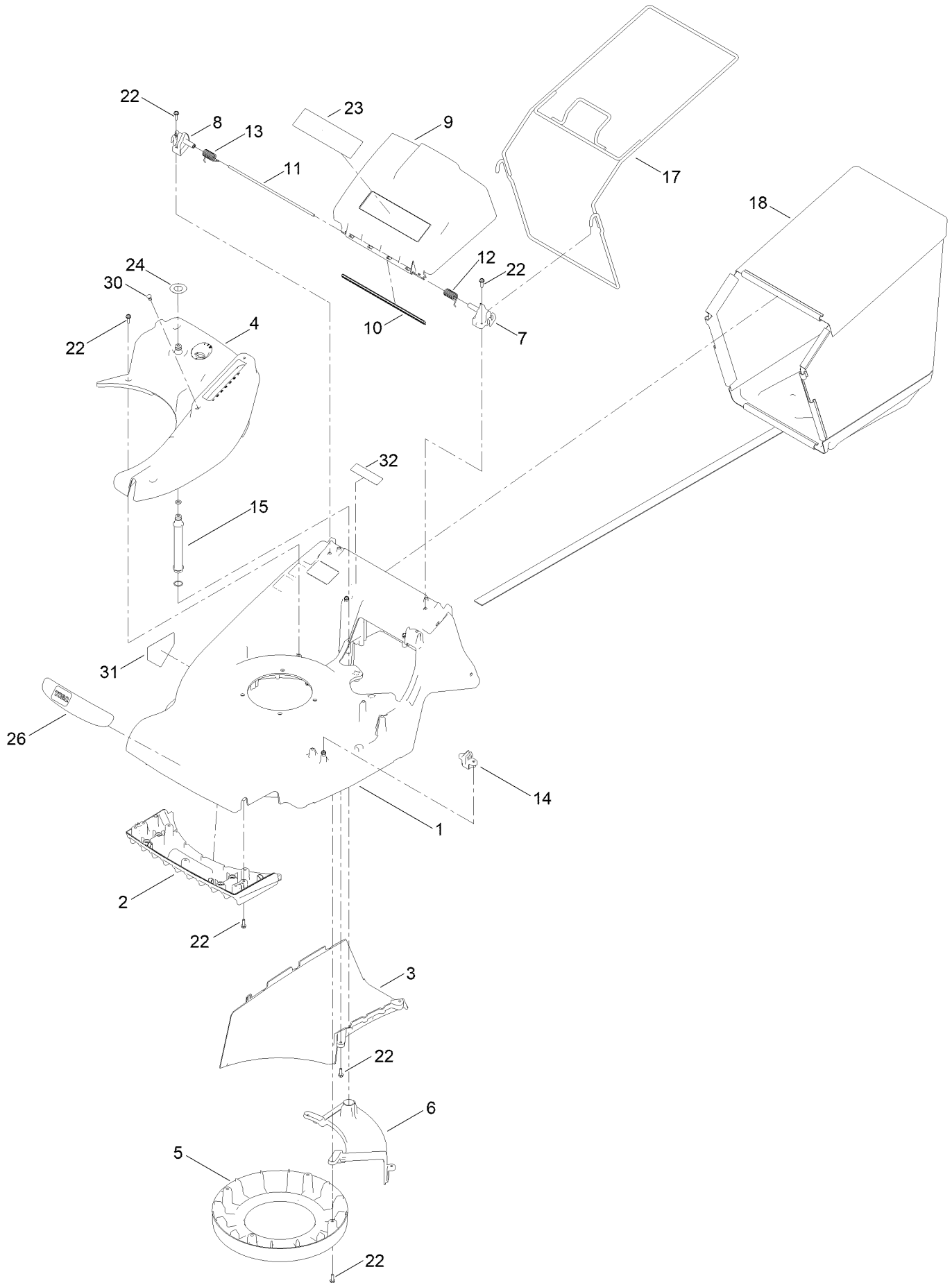
In an illustration, if a reference number indicates more than one part, the reference number has the form nX y. The n represents the quantity of the part, the X is the multiplication symbol, and the y represents the reference number.

For example, in an illustration, the reference number 2X 37 means that two of the parts identified by reference number 37 are indicated.

# Contents

Deck and Bagger Assembly .....	4
Engine and Blade Assembly .....	6
Traction and Height-of-Cut Assembly .....	8
Handle Assembly .....	10
Lower Handle Assembly No. 134-3586 .....	12
Attachments and Accessories .....	14

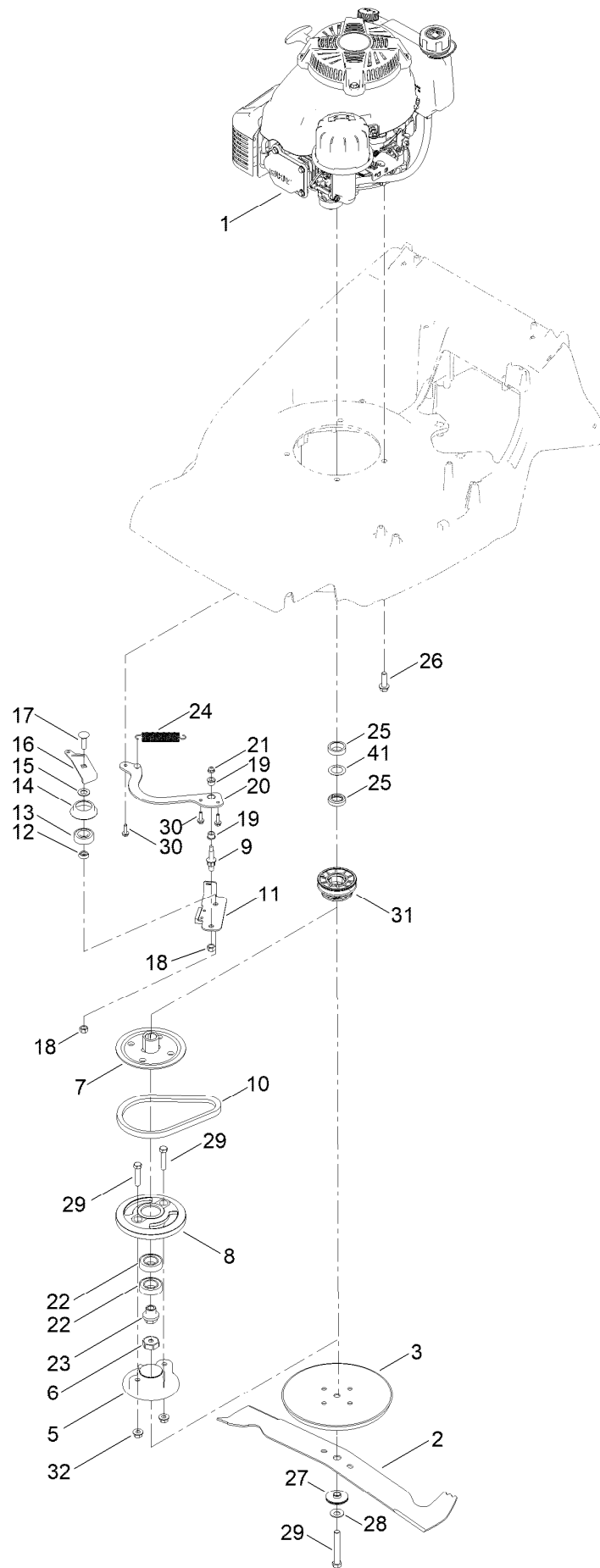
# Deck and Bagger Assembly



## Deck and Bagger Assembly (continued)

<i>Ref.</i>	<i>Part Number</i>	<i>Qty.</i>	<i>Description</i>	<i>Ref.</i>	<i>Part Number</i>	<i>Qty.</i>	<i>Description</i>
1	134-0332-01	1	Harrier Deck Assembly	13	111-8544	1	Spring-Deflector, Right
2	134-0333	1	Fins-Front	14	134-2255	1	Rod-Support
3	134-0334	1	Plate-Throw	15	134-2432	1	Washport Adapter Assembly
4	134-0335	1	Trim-Top	17	111-8628-03	1	Grassbag-Frame
5	134-0336	1	Cover-Belt	18	134-1569	1	Grassbag-Fabric, Toro
6	134-2208-03	1	Cover-Belt	22	09575	27	Screw-Taptite
7	111-8541	1	Mount-Deflector, Left	23	134-2137	1	Decal-Safety
8	111-8542	1	Deflector Mount Right	24	134-3333	1	Decal-Quick Wash
9	111-8647	1	Deflector-Rear	26	134-2302	1	Decal-Prostripe 560
10	111-8648	1	Deflector-Seal, Rear	30	134-0262	1	Rivet-Push, Plastic
11	111-8728	1	Rod-Deflector	31	94-8072	1	Decal-Danger
12	111-8543	1	Spring-Deflector, Left	32	133-8062	1	Decal-Arrestor, Spark

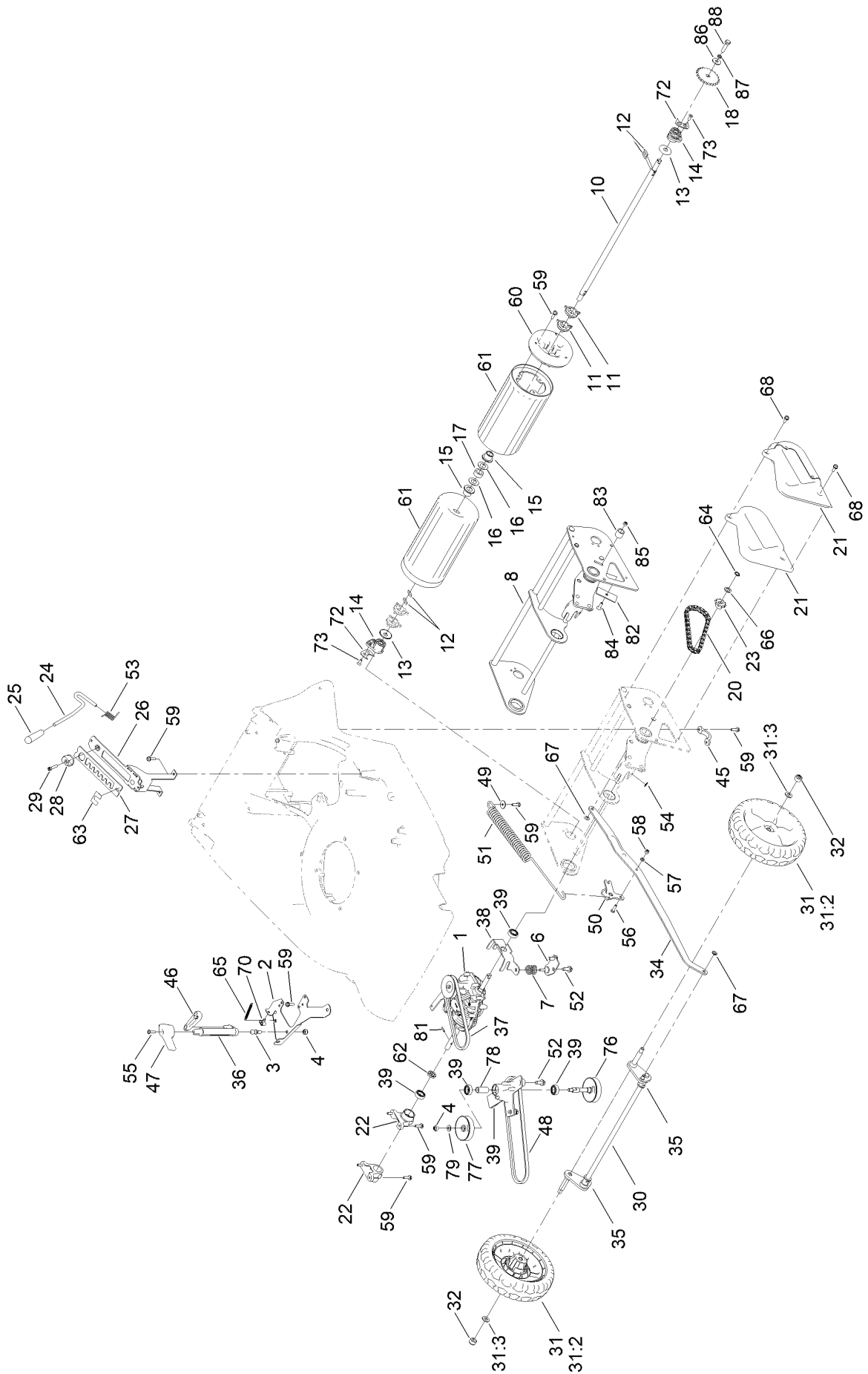
# Engine and Blade Assembly



## Engine and Blade Assembly (continued)

<i>Ref.</i>	<i>Part Number</i>	<i>Qty.</i>	<i>Description</i>	<i>Ref.</i>	<i>Part Number</i>	<i>Qty.</i>	<i>Description</i>
1	134-2551	1	Engine-Kawasaki, Fj180V, BBC	17	119-4162	1	Screw-CARR
1	134-3778	1	Crankshaft Kit, Kawasaki Fj180BBC	18	603773	2	Locknut
2	134-3200	1	Cutterbar	19	130-2377	2	Bushing-Flange
3	410057W	1	Disc-Friction	20	134-3773	1	BBC Anchor Plate Assy
5	134-2252	1	Spacer-Blade, BBC	21	137-3005	1	Nut-HF
6	134-2648	1	Nut-Retaining	22	134-0325	2	Bearing
7	134-4249	1	Pulley Half Drive BBC	23	111-8895	1	BBC Shaft Nut
8	134-2590	1	Drum-BBC	24	108-3792	1	Spring-Tension, Brake
9	107-0759	1	Bolt-Shoulder	25	111-8828	1	Spacer-Retaining
10	110-1790	1	Belt	26	09349	4	Screw-Taptite, Unc
11	125-1063	1	Plate-Brake	27	134-3973	1	Spacer-Distance, Cutterbar
12	107-0758	1	Spacer-Bearing	28	134-3191	1	Washer-Lock
13	38-7820	1	Bearing-Ball	29	134-1681	3	Bolt, Unf 3/8 X 1.3/4 (Grade 8. Rohs)
14	138-3217	1	Retainer-Belt	30	09575	3	Screw-Taptite
15	605256	1	Spacer	31	134-2714	1	Pulley-Engine
16	111-8855	1	Plate-Tensioner	32	139-1706	2	Nut-Flange, Lock
				41	134-2253	1	Spring-Disk

# Traction and Height-of-Cut Assembly

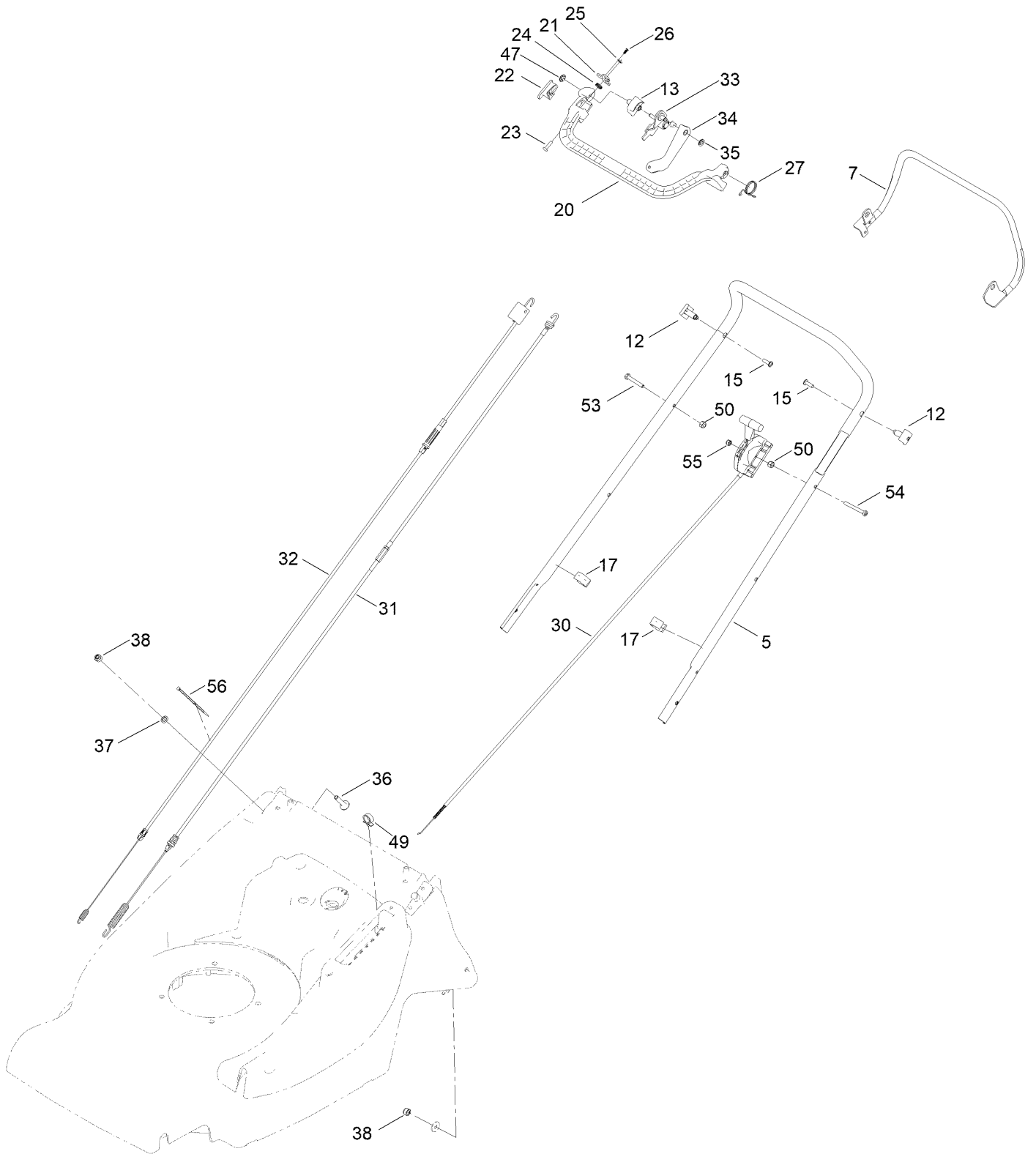




## Traction and Height-of-Cut Assembly (continued)

<i>Ref.</i>	<i>Part Number</i>	<i>Qty.</i>	<i>Description</i>	<i>Ref.</i>	<i>Part Number</i>	<i>Qty.</i>	<i>Description</i>
1	134-4648	1	Mg510 3-Speed Gearbox	46	134-2225	1	Arm-Selector, 3 Speed
2	134-1737	1	Gearbox Mounting Plate	47	134-2224	1	Knob- Selector, 3 Speed
3	134-2223	1	Stud-Ball	48	134-2295	1	V-Belt
4	09441	2	Nut-Hex, NI	49	09263	1	Washer
6	134-2209	1	Gearbox Bracket Assembly	50	134-2254	1	Spring Load Lever
7	111-8587	1	Spring-Mounting, Gearbox	51	134-2287	1	Spring Counter Balance
8	134-0337-03	1	Rear Axle Frame Assembly	52	134-2299	5	Screw-HWH
10	134-5253	1	Shaft-Roller, Pro	53	480132	1	Spring-Torsion, HOC
11	134-2924	4	Cam-Drive	54	04020	1	Grip-Fix
12	134-2034	4	Key-Drive	55	09687	1	Screw
13	111-8602	2	Washer-Thrust	56	09363	1	Screw-HH
14	134-2635	2	Bush, Rear Roller	57	09472	1	Washer-Plain
15	340129	2	Bushing-Roller, Oilite	58	09544	1	Nut-Nyloc
16	480097	2	Washer	59	09575	18	Screw-Taptite
17	134-0314	1	Spacer-Roller	60	134-2631	2	Cap-Roller, End
18	134-3806	1	Sprocket	61	134-0315-03	2	Roller Shell Assembly
20	134-0355	1	Chain	62	134-4513	1	Retaining Collar, Drive Shaft
21	134-4620	1	Chain Cover ASM	63	134-2620	1	Decal-HOC
22	134-0393	2	Mount-Bearing, Frame (Rear)	64	134-0254	2	Circlip-External, HD
23	134-3805	1	Sprocket, 10T	65	134-3366	1	Lever-Spring, Clutch (Return)
24	111-8705	1	Lever-HOC	66	111-8216	1	Washer-Thrust
25	480134	1	Knob-HOC	67	0201086	2	Washer-Starlock
26	134-0358	1	HOC Tower Assembly	68	09365	2	Screw-Taptite
27	134-0361	1	Plate-HOC	70	111-8696	1	Clip-Conduit, Twin
28	134-0362	1	Adjuster-HOC	72	134-1734	2	Bearing Support Plate
29	111-4586	1	Screw-HSH	73	09545	4	Screw-Taptite
30	134-4827	1	56 Front Axle Assembly HD	76	134-2290	1	Welded Jack Shaft ASM
31	133-2639	2	Wheel	77	134-2292	1	Split Pulley Upper
31:2	133-2603	2	Bearing-Ball	78	134-3284	1	Spacer Tube, Bearing
31:3	125-1077	1	Spacer	79	ZWP1H000U	1	Washer-Plain
32	119-4042	2	Nut-HF, NI	81	134-4514	1	Pin, Roll, 3Mm X 16Mm
34	134-0365	1	Connecting Rod Assembly	82	134-5274-03	1	Back Plate, Tensioner
35	410069	2	Bearing-Axle, Front	83	134-5275	1	Pulley, Tensioner
36	134-0367	1	Rod-Selector, 3 Speed	84	09668	1	Bolt-Coach
37	134-0352	1	V-Belt	85	09438	1	Nut-Nyloc
38	134-0377	1	Jack Shaft Bracket	86	111-7679	1	Washer-Plain
39	134-2889	4	"bearing, Ball 12Mm"	87	09474	1	Washer-Spring
45	111-8670	1	Axle- Support, Rear	88	ZBH1F025U	1	Bolt-HH

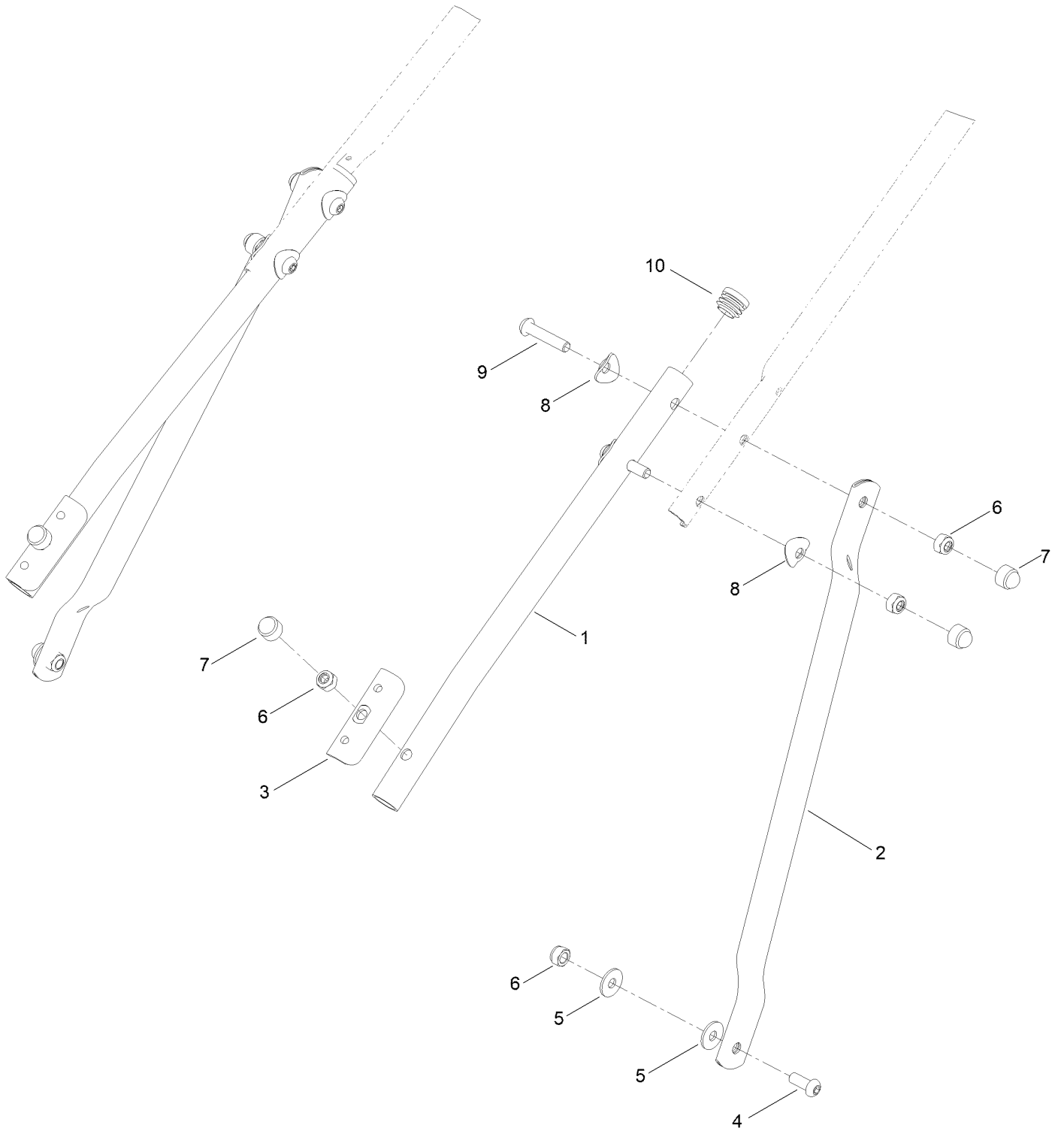
# Handle Assembly



## Handle Assembly (continued)

<i>Ref.</i>	<i>Part Number</i>	<i>Qty.</i>	<i>Description</i>	<i>Ref.</i>	<i>Part Number</i>	<i>Qty.</i>	<i>Description</i>
5	134-2722-03	1	Handlebar-Upper	31	134-2298	1	Cable
7	111-9381-03	1	Lever-Clutch, Gearbox	32	111-8962	1	Clutch-Cable, 3 Speed
12	340182	1	Pin-Pivot	33	134-2660	1	Anchor Plate Welded
13	111-8990	1	Clamp-Bar	34	134-2662	1	BBC Linkage Assembly
15	09687	1	Screw	35	0201086	1	Washer-Starlock
17	410037	2	Guide-Cable	36	09379	2	Bolt-Coach
20	134-2608	1	Arm-Bail	37	04020	2	Grip-Fix
21	111-8903	1	Lever-Catch	38	09441	2	Nut-Hex, NI
22	134-3190	1	Latch-Button	47	134-3208	1	Starlock-Domed
23	111-8908	1	Latch-Pin	49	111-8696	1	Clip-Conduit, Twin
24	111-8906	1	Lever-Bail, Spring	50	137-3088	1	Nut-Hex
25	111-0718	1	Fastener-Starlock, Push-On	53	05010	1	Bolt
26	134-2027	1	Clip-Tree	54	09780	1	Setscrew
27	134-2284	1	Lever-Bail Arm, Spring	55	09438	1	Nut-Nyloc
30	111-8959	1	Throttle-Control	56	HY3966	1	Tie-Cable

# Lower Handle Assembly No. 134-3586



## Lower Handle Assembly No. 134-3586 (continued)

<i>Ref.</i>	<i>Part Number</i>	<i>Qty.</i>	<i>Description</i>	<i>Ref.</i>	<i>Part Number</i>	<i>Qty.</i>	<i>Description</i>
1	134-2499-03	2	Handlebar Lower (Prostripe)	6	09441	6	Nut-Hex, NI
2	134-2900-03	2	Prostripe Brace Handlebar	7	HY234051	6	Cap-Nut
3	340028	2	Plate-Clamp, Handlebar	8	137-3009	6	Washer-Cup
4	ZHS1H020U	2	Screw-HSBH	9	134-3821	4	Screw-Hsbw
5	09267	4	Washer-Plain	10	300160	2	Plug-Tube

# Attachments and Accessories

## For 02657 ProStripe 560 Mower

Product Name	Model/Part
Jet, Main #72 .....	134-1871
Groomer Brush Kit, ProStripe 560 Mower .....	134-3722

**Notes:**



**Count on it.**