



44" Side Discharge Mower

Proline Midsize Traction Unit

Model No. 30149—210000001 and Up

Parts Catalog

Ordering Replacement Parts

To order replacement parts, please supply: the part number, the quantity, and the description of each part desired.

Understanding Reference Numbers

Each identified part in an illustration has a reference number. The reference number for a part also appears in the parts list, along with other information about the part.

This catalog uses two special reference number formats, one to indicate parts in a service assembly and another to indicate the quantity of a given part in an illustration.

Service Assembly Reference Numbers

Parts in service assemblies have reference numbers in the form **a:b**. The **a** represents the reference number of the entire service assembly and the **b** represents a sequential number unique to each part within the service assembly.

For example, a wheel assembly might be identified by reference number **6**, the tire by **6:1**, the valve by **6:2**, and the wheel by **6:3**. When you order the assembly identified by reference number **6**, you receive all parts identified by reference numbers **6:1**, **6:2**, and **6:3**. However, you may also order any part individually.

Reference numbers of this type appear in illustrations and in part lists.

Reference Numbers Indicating Quantity

In an illustration, if a reference number indicates more than one part, the reference number has the form **nX y**. The **n** represents the quantity of the part, the **X** is the multiplication symbol, and the **y** represents the reference number.

For example, in an illustration, the reference number **2X 37** means that two of the parts identified by reference number **37** are indicated.

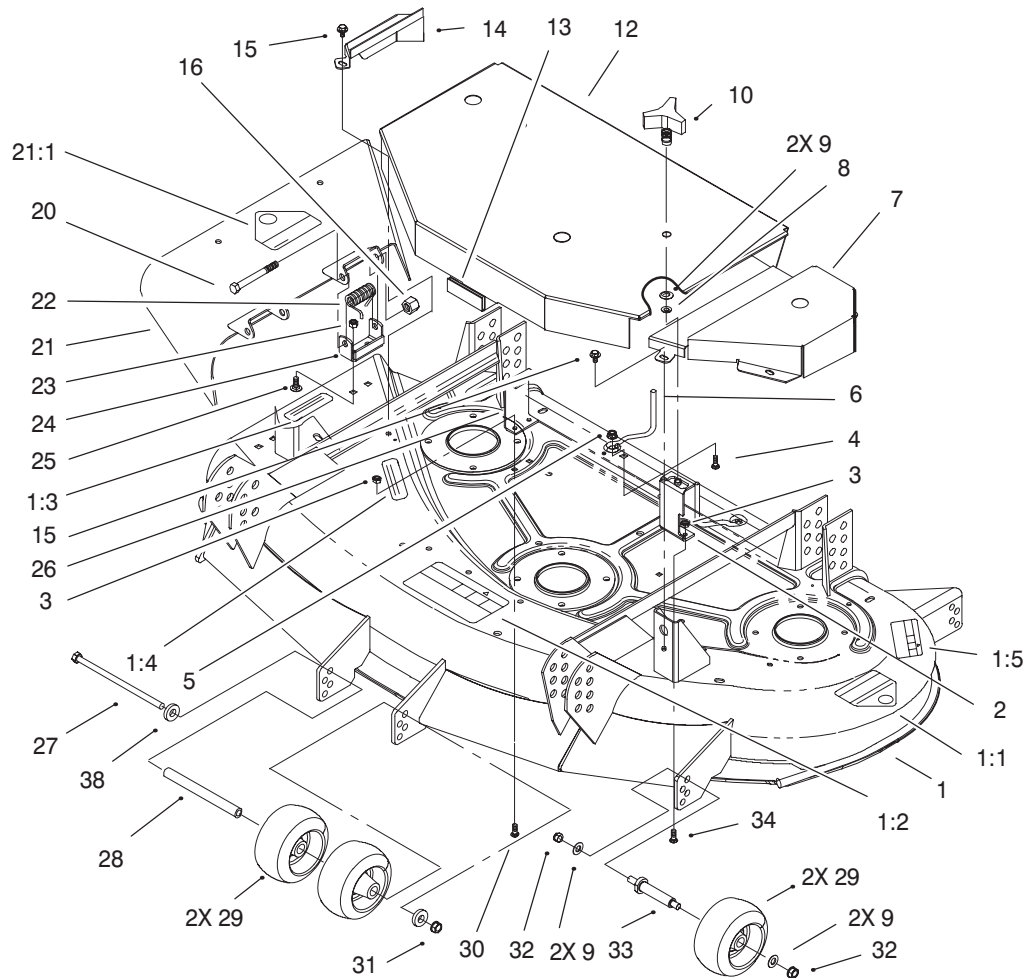
Contents

| Description | Page | Description | Page |
|------------------------------------|-------------|------------------------------------|-------------|
| Deck And Cover Assembly | 3 | Spindle Assembly No. 67-7660 | 6 |
| Spindle And Idlers Assembly | 4 | Carrier Frame Assembly | 7 |
| Spindle Assembly No. 67-7600 | 5 | Belt And Decal Assembly | 8 |

Part Description Abbreviations

Part descriptions in this catalog may include the following abbreviations.

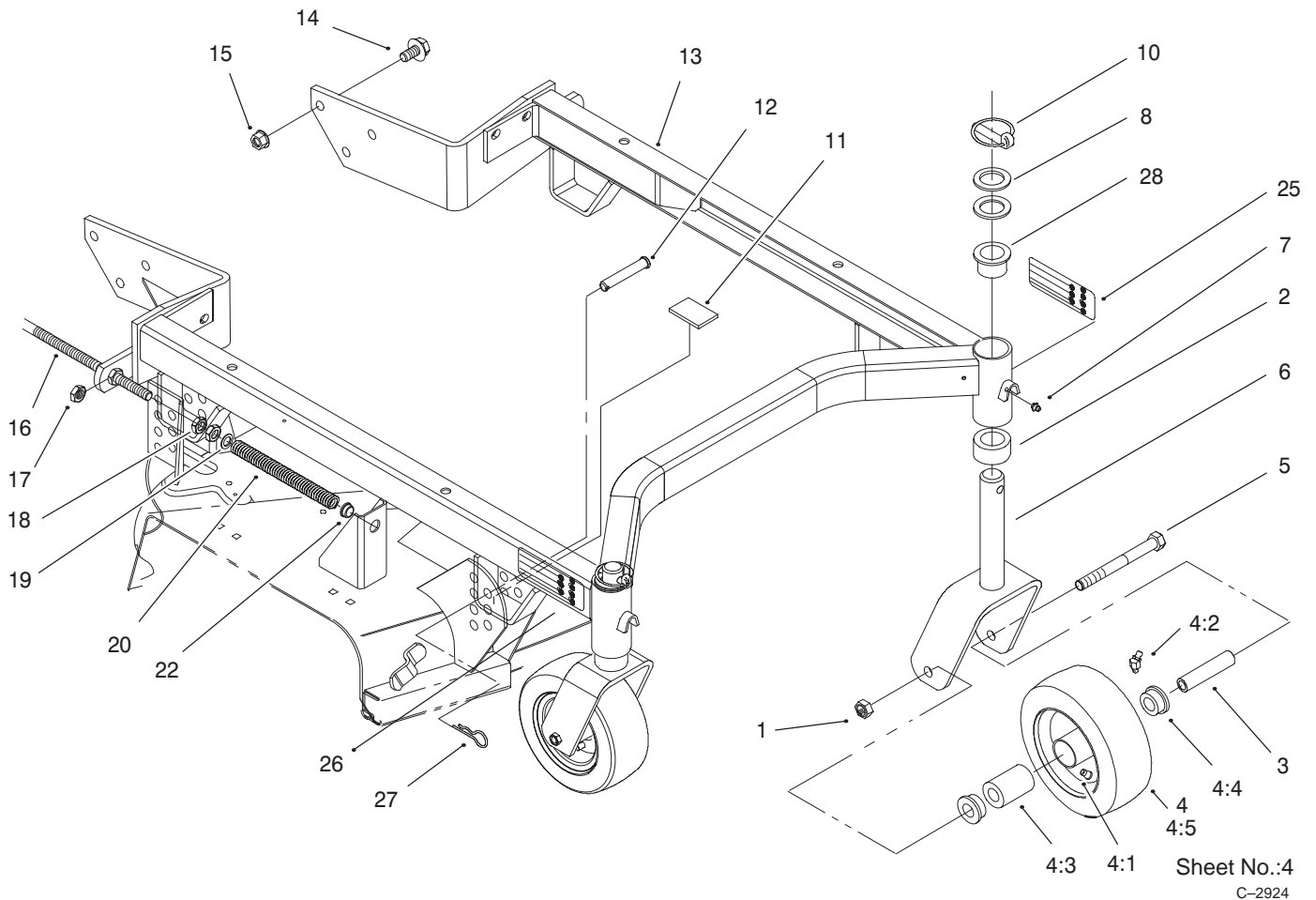
| Abbreviation | Meaning | Abbreviation | Meaning |
|---------------------|-----------------------------------|---------------------|-------------------------|
| AR | as required | INC | incorporated |
| ASM | assembly | LH | left hand |
| CARR | carriage | NI | nylon insert |
| DEG | degrees | PPH | Phillips pan head |
| FH | flat head | PTH | Phillips truss head |
| GA | gauge | PTO | power take off |
| HF | hex flange | RH | right hand |
| HH | hex head | SFH | slotted fillister head |
| HHF | hex head flange | SHH | slotted hex head |
| HLH | hex lag head | SQH | square head |
| HJ | hex jam | SHWH | slotted hex washer head |
| HOC | height-of-cut | SPH | slotted pan head |
| HS | hex socket | SRH | slotted round head |
| HSBH | hex socket button head | STD | standard |
| HSFH | hex socket flat head | TAP | self tapping |
| HSH | hex socket head | TTH | Torx truss head |
| HWH | hex washer head | WH | wing head |
| HWHTF | hex washer head thread forming | | |



Sheet No.:2
C-2912

Deck And Cover Assembly

| Ref. No. | Part No. | Qty. | Description | Ref. No. | Part No. | Qty. | Description |
|----------|------------|------|--------------------------|----------|------------|------|-------------------|
| 1 | 99-6448 | 1 | Deck ASM | 24 | 29-5590-01 | 2 | Bracket-Pivot |
| 1:1 | 43-8480 | 1 | Decal-Danger | 25 | 3230-18 | 4 | Screw-CARR |
| 1:2 | 66-1340 | 1 | Decal-Danger | 26 | 54-3230-03 | 1 | Bracket-Cover, RH |
| 1:3 | 66-6380 | 1 | Decal-Danger | 27 | 322-50 | 1 | Screw-Cap |
| 1:4 | 67-5360 | 1 | Decal-Danger | 28 | 98-5967 | 1 | Spacer-Wheel |
| 1:5 | 68-8340 | 1 | Decal-Torque, Blade Bolt | 29 | 68-2730 | 4 | Wheel-Gage |
| 2 | 54-3240-03 | 1 | Bracket-Cover, LH | 30 | 3229-1 | 2 | Screw-CARR |
| 3 | 3296-42 | 4 | Nut-Lock | 31 | 3296-29 | 1 | Nut-Lock,NI |
| 4 | 3230-2 | 2 | Screw-CARR | 32 | 3296-39 | 4 | Nut-Lock, NI |
| 5 | 32128-13 | 2 | Nut-HF | 33 | 99-2842 | 2 | Spacer-Wheel |
| 6 | 52-4780 | 2 | Rod-Belt | 34 | 3229-3 | 2 | Screw-CARR |
| 7 | 54-2220-01 | 1 | Cover-Deck, LH | 38 | 3256-23 | 2 | Washer-Flat |
| 8 | 32151-72 | 2 | Ring-Retaining | | | | |
| 9 | 3256-24 | 6 | Washer-Flat | | | | |
| 10 | 62-6520 | 2 | Knob | | | | |
| 12 | 54-3190-01 | 1 | Cover-Center | | | | |
| 13 | 29-0641 | 5 | Jiffy Trim | | | | |
| 14 | 54-2250-01 | 1 | Cover-Deck, RH | | | | |
| 15 | 46-8560 | 5 | Screw-HHF | | | | |
| 16 | 3296-5 | 2 | Nut-Lock, NI | | | | |
| 20 | 3211-15 | 2 | Screw-HH | | | | |
| 21 | 100-8003 | 1 | Deflector | | | | |
| 21:1 | 93-1122 | 1 | Decal-Danger | | | | |
| 22 | 40-6230 | 2 | Spring | | | | |
| 23 | 32152-1 | 4 | Nut-Lock, NI | | | | |



Carrier Frame Assembly

| Ref. No. | Part No. | Qty. | Description |
|----------|-------------|------|-------------------|
| 1 | 32153-5 | 2 | Nut-Lock |
| 2 | 93-1166 | 2 | Spacer-Castor |
| 3 | 100-6453 | 2 | Bushing-Spanner |
| 4 | 100-6451 | 2 | Castor Wheel ASM |
| 4:1 | 232-27 | 1 | Stem-Valve |
| 4:2 | 302-11 | 1 | Fitting-Lube,45° |
| 4:3 | 83-4740 | 1 | Bearing |
| 4:4 | 62-5580 | 2 | Bearing-Outside |
| 4:5 | 100-6452 | 1 | Tire-Tubeless |
| 5 | 325-19 | 2 | Screw-HH |
| 6 | 100-6455-01 | 2 | Castor Fork ASM |
| 7 | 302-5 | 2 | Fitting-Lube |
| 8 | 3-6781 | 8 | Washer-Thrust |
| 10 | 3290-384 | 2 | Pin-Lynch |
| 11 | 74-0340 | 4 | Cushion-Rubber |
| 12 | 283-55 | 4 | Pin-Clevis |
| 13 | 17-0279-01 | 1 | Carrier Frame ASM |
| 14 | 3234-6 | 6 | Screw-HHF |
| 15 | 32128-23 | 6 | Nut-HF |
| 16 | 74-0310 | 2 | Shaft-Adjusting |
| 17 | 3296-45 | 2 | Nut-Lock, NI |
| 18 | 3218-5 | 4 | Nut-Jam |
| 19 | 41-8440 | 2 | Washer |
| 20 | 74-0290 | 2 | Spring |
| 22 | 256-156 | 2 | Bushing-Flange |
| 25 | 85-7450 | 1 | Decal-HOC, LH |

| Ref. No. | Part No. | Qty. | Description |
|----------|----------|------|-----------------|
| 26 | 85-7460 | 1 | Decal-HOC, RH |
| 27 | 3290-355 | 4 | Pin-Hair |
| 28 | 94-1291 | 4 | Bushing-Special |

