



Wheel Horse[®] 1638XL, 1638XLE Lawn Tractor

Model No. 71223-210000001 and Up

Model No. 71226-210000001 and Up

Parts Catalog

Ordering Replacement Parts

To order replacement parts, please supply: the part number, the quantity, and the description of each part desired.

Understanding Reference Numbers

Each identified part in an illustration has a reference number. The reference number for a part also appears in the parts list, along with other information about the part.

This catalog uses two special reference number formats, one to indicate parts in a service assembly and another to indicate the quantity of a given part in an illustration.

Service Assembly Reference Numbers

Parts in service assemblies have reference numbers in the form **a:b**. The **a** represents the reference number of the entire service assembly and the **b** represents a sequential number unique to each part within the service assembly.

For example, a wheel assembly might be identified by reference number **6**, the tire by **6:1**, the valve by **6:2**, and the wheel by **6:3**. When you order the assembly identified by reference number **6**, you receive all parts identified by reference numbers **6:1**, **6:2**, and **6:3**. However, you may also order any part individually.

Reference numbers of this type appear in illustrations and in part lists.

Reference Numbers Indicating Quantity

In an illustration, if a reference number indicates more than one part, the reference number has the form **nX y**. The **n** represents the quantity of the part, the **X** is the multiplication symbol, and the **y** represents the reference number.

For example, in an illustration, the reference number **2X 37** means that two of the parts identified by reference number **37** are indicated.

Contents

Description	Page	Description	Page
Frame & Body Assembly	3	38" Deck Assembly (cont.)	14
Hood & Tower Assembly	4	38" Deck Blade Drive & Brake Assembly	15
Rear Body & Seat Assembly	5	38" Deck Engagement Assembly	16
Steering Assembly	6	Height of Cut Assembly	17
Steering Assembly (cont.)	7	Electrical Assembly	18
Fixed Steering Assembly	8	Engine Briggs & Stratton	
Engine Assembly	9	Model 28Q777-0690-E1	19-27
Traction Clutching Assembly	10	Transaxle Peerless MST 205-509	28-29
Shifting Assembly	11	Schematic	30
5 Speed Transaxle Assembly	12	Maintenance	31
38" Deck Assembly	13		

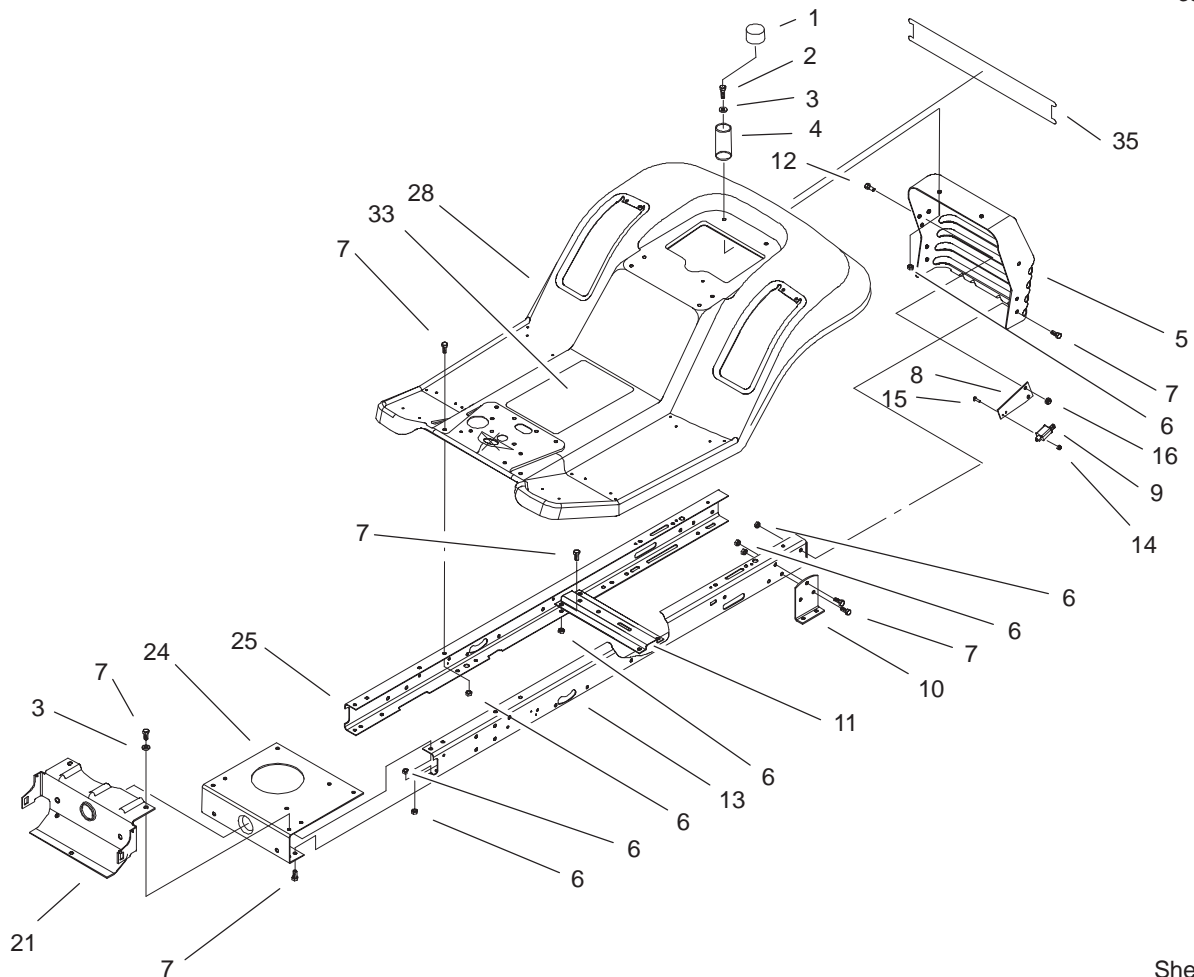
Accessories

Description	Model / Part No.	Description	Model / Part No.
Easy Empty Bagging Kit		Headlight Kit (Std. both models) .	Model No. 79180
(Model No. 71223 only)	Model No. 79116	42" (106.7cm) Snowblade Kit ...	Model No. 79150
Easy Empty Bagging Kit	Model No. 79117	Wheel Weight Kit	Model No. 59159
Twin Bag Bagger Kit		Anti Scalp Kit	
(Model No. 71223 only)	Model No. 79101	(Std. model 71226)	
Twin Bag Bagger Kit	Model No. 79103	(Optional model 71223)	Model No. 79182
Recycler Kit (Std. both models) .	Model No. 79170	Exhaust Deflector Kit	Part No. 94-6872
Hi-Sail Bagging Blade	Part No. 57-4700		
Tire Chains	Part No. 11-0430		

Part Description Abbreviations

Part descriptions in this catalog may include the following abbreviations.

Abbreviation	Meaning	Abbreviation	Meaning
AR	as required	INC	incorporated
ASM	assembly	LH	left hand
CARR	carriage	NI	nylon insert
DEG	degrees	PPH	Phillips pan head
FH	flat head	PTH	Phillips truss head
GA	gauge	PTO	power take off
HF	hex flange	RH	right hand
HH	hex head	SFH	slotted fillister head
HHF	hex head flange	SHH	slotted hex head
HLH	hex lag head	SQH	square head
HJ	hex jam	SHWH	slotted hex washer head
HOC	height-of-cut	SPH	slotted pan head
HS	hex socket	SRH	slotted round head
HSBH	hex socket button head	STD	standard
HSFH	hex socket flat head	TAP	self tapping
HSH	hex socket head	TTH	Torx truss head
HWH	hex washer head	WH	wing head
HWHTF	hex washer head thread forming		

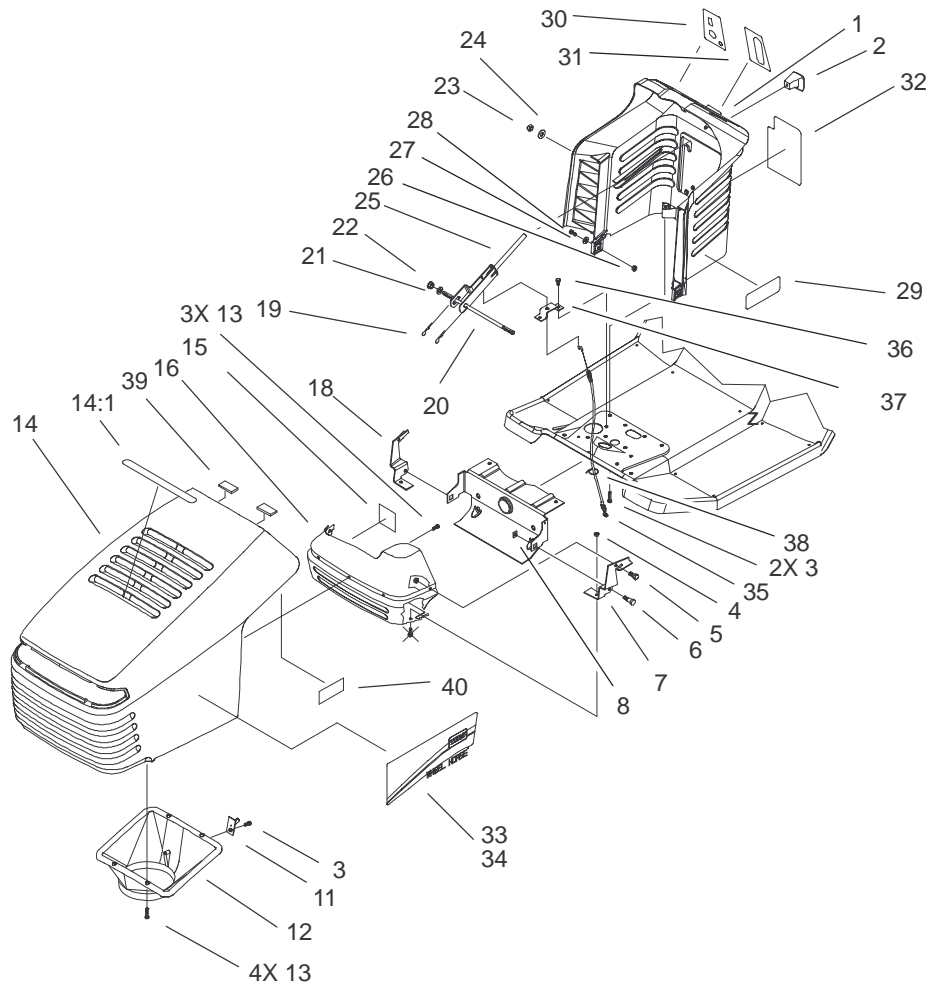


Sheet No.:2

Frame & Body Assembly

Ref. No.	Part No.	Qty.	Description
1	701178	2	Cap-Protector
2	322-5	2	Screw-HH
3	3256-23	4	Washer-Flat
4	88-6220	2	Spring - Compression
5	99-2957-03	1	Panel-Rear Hitch
6	3296-29	24	Nut-Lock
7	322-3	22	Screw-HH
8	99-2953-03	1	Plate-Switch
9	95-1653	1	Switch - Single Pole
10	88-5260-03	2	Bracket-Transaxle Mtg
11	88-4620-03	1	Bracket-Idler Pivot
12	322-3	2	Screw-HH
13	99-2958-03	1	Rail- LH Frame
14	3296-1	2	Nut-Lock NI
15	3290-392	2	Screw - Hex Head Slot
16	3296-29	2	Nut-Lock
21	98-3575-03	1	Support-Front Axle
24	88-4630-03	1	Plate-Eng Mtg
25	99-2959-03	1	Rail- RH Frame
28	99-2971	1	Body ASM-Rear
33	99-6094	1	Decal - Instruction (only on: 71223)
33	93-6675	1	Decal - Gear Instr. Intl

Ref. No.	Part No.	Qty.	Description
35	95-0809	1	(only on: 71226) Decal-Rear Body

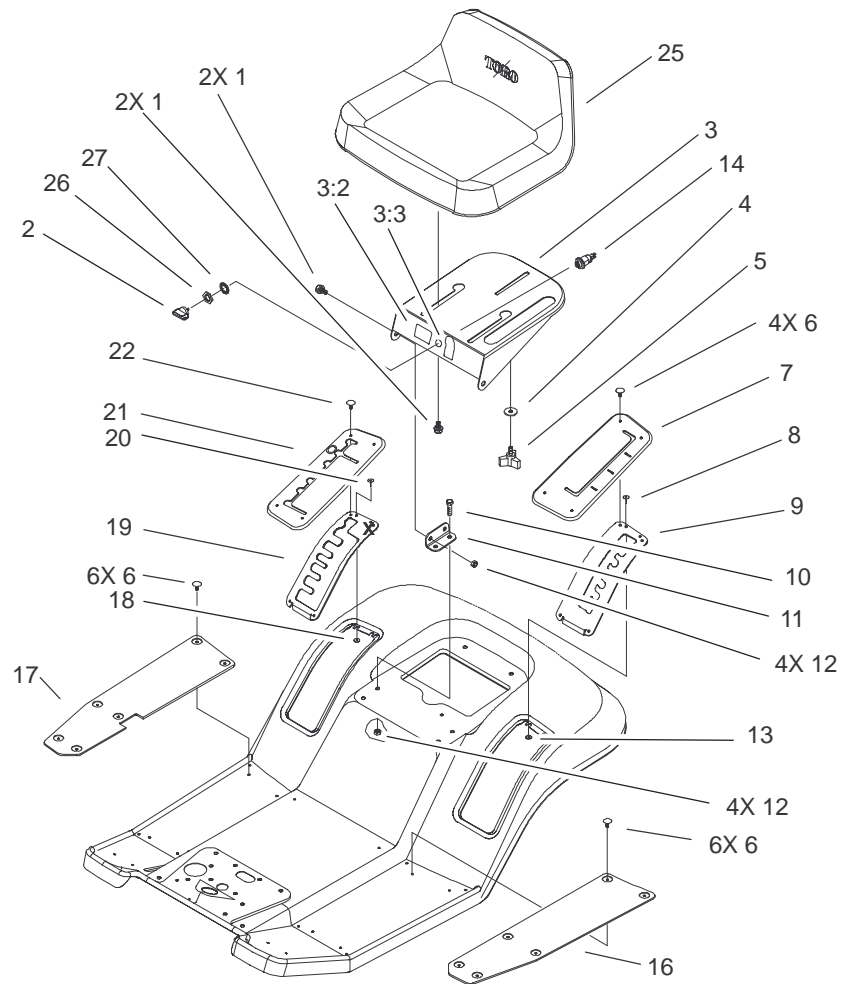


Sheet No.:3

Hood & Tower Assembly

Ref. No.	Part No.	Qty.	Description
1	99-1947	1	Tower-Steering
2	94-5565	1	Knob - Shift
3	46-8091	3	Screw-HWH
4	3296-42	4	Nut-Lock
5	321-2	4	Screw-HH
6	28-0540	2	Bolt-Shoulder
7	88-6050-03	1	Bracket-LH Hinge
8	3290-496	2	Nut-Retainer
11	94-1984	1	Latch - Pin
12	93-3891	1	Duct - Hood Air
13	46-8090	7	Screw-Plastite
14	92-8650	1	Hood-V-Chassis Toro
14:1	92-5748	1	Decal-Air Duct Toro
15	92-5782	3	Foil Tape
16	93-3864-03	1	Shield - Heat
18	88-6040-03	1	Bracket-RH Hinge
19	3290-307	2	Pin-Hair
20	100-7401	1	Rod-Tower Pivot
21	3256-24	2	Washer-Flat
22	3218-3	2	Nut-Jam
23	100-7402	2	Nut-Cap
24	100-7403	2	Washer-Flat
25	88-5190-03	1	Deck Engage Lev Wa
26	3296-29	2	Nut-Lock
27	3256-23	2	Washer-Flat

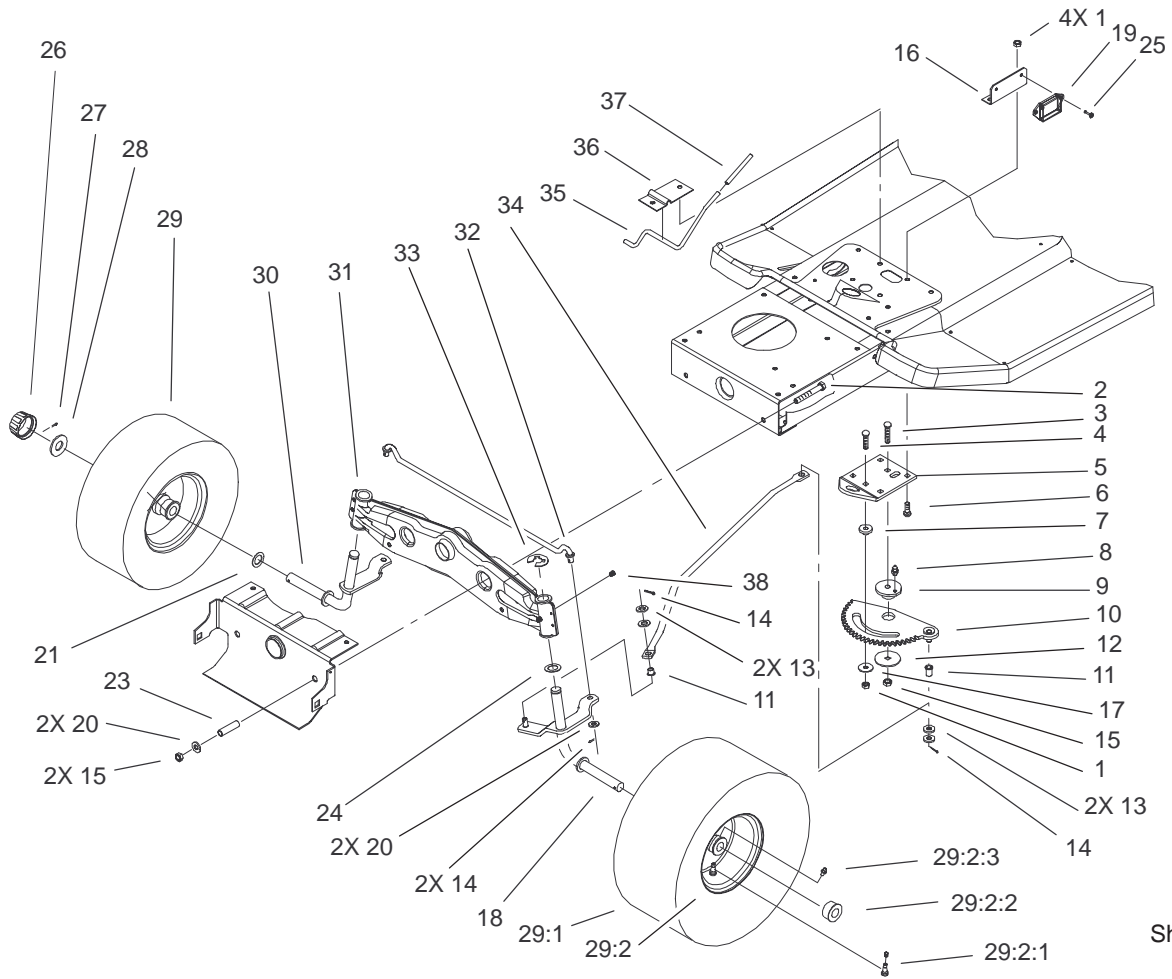
Ref. No.	Part No.	Qty.	Description
28	322-3	2	Screw-HH
29	100-6247	2	Decal-1638 XI
30	99-8139	1	Decal-Ignition/Lights (only on: 71223)
30	99-8141	1	Decal-Ignition/Lights (only on: 71226)
31	92-2461	1	Decal - Throttle (only on: 71223)
31	92-5730	1	Decal - Throttle (only on: 71226)
32	92-2462	1	Decal - Deck Engage (only on: 71223)
32	93-6673	1	Decal - Deck Engage (only on: 71226)
33	95-0808	1	Decal - Hood Left
34	95-0807	1	Decal - Hood Right
35	99-6837	1	Cable ASM-Deck, 38"
36	9266714	2	Screw-HWH
37	93-3849	1	Brkt-Upper Cable
38	614249	1	Tie Strap
39	94-1980	2	Foam - Hood
40	100-6221	1	Decal-Service, 71223 (only on: 71223)



Sheet No.:4

Rear Body & Seat Assembly

Ref. No.	Part No.	Qty.	Description	Ref. No.	Part No.	Qty.	Description
1	37-8770	4	Bolt-Shoulder	13	3269-26	2	Washer-Flat
2	63-8360	1	Key-Ignition	14	46-5780	1	Switch-Starter
3	99-5830	1	Support ASM-Seat (only on: 71223)	16	88-5240	1	Mat-LH Foot
3	99-5831	1	Support ASM-Seat (only on: 71226)	17	88-5220	1	Mat-RH Foot
3:2	99-2986	1	Decal-Danger Intl (only on: 71226)	18	3269-26	2	Washer-Flat
3:2	99-2985	1	Decal-Danger (only on: 71223)	19	88-5020-03	1	Plate-Shift Gate
3:3	99-5340	1	Decal-Nmir Switch Intl (only on: 71226)	20	3290-282	2	Rivet-Pop, Steel
3:3	99-5339	1	Decal-Nmir Switch (only on: 71223)	21	88-5160	1	Cover-Shift Gate (only on: 71223)
4	5-4460	1	Washer-Pivot	21	93-7656	1	Cover - Shift, Intl (only on: 71226)
5	92-9674	1	Knob	22	3290-479	4	Fastener-Panel
6	3290-479	16	Fastener-Panel	25	88-3950	1	Seat - Medium Back
7	88-5170	1	Cover - HOC (only on: 71223)	26	218-461	1	Nut-HH
7	93-7657	1	Cover - HOC, Intl (only on: 71226)	27	3254-5	1	Washer-Lock/Internal
8	3290-282	2	Rivet-Pop, Steel				
9	88-5030-03	1	Gate-HOC				
10	322-3	4	Screw-HH				
11	88-4820-03	2	Bracket-Seat Hinge				
12	3296-29	6	Nut-Lock				



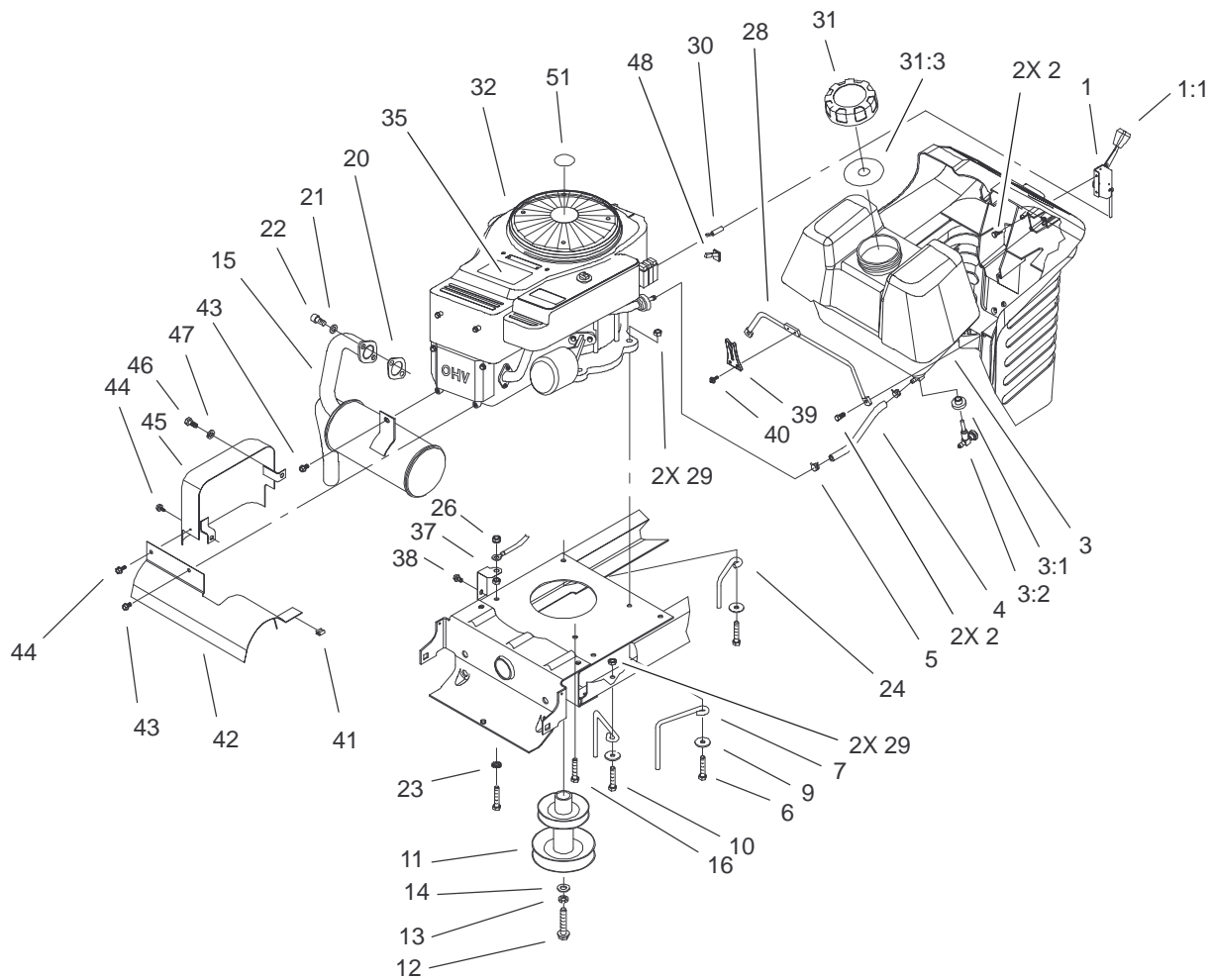
Sheet No.:5

Steering Assembly

Ref. No.	Part No.	Qty.	Description
1	3296-29	5	Nut-Lock
2	323-13	2	Screw-HH
3	3231-4	1	Screw-CARR
4	3230-3	1	Screw-CARR
5	88-5130-03	1	Bracket-Steering Rack
6	3230-2	4	Screw-CARR
7	88-5010	1	Spacer - Steering Rack
8	302-26	1	Zerk
9	88-4670	1	Bushing - Eccentric
10	88-5200	1	Steering Rack Wa
11	52-2891	2	Bushing-Steering Link
12	111419	1	Bearing-Washer
13	3256-25	4	Washer-Flat
14	3272-10	4	Pin-Cotter
15	3296-39	3	Nut-Lock, NI
16	99-2956-03	1	Bracket-Module
17	5-4460	1	Washer-Pivot
18	92-7890-03	1	LH Spindle Wa (only on: 71223)
19	99-3700	1	Module-Nmir
20	3256-24	4	Washer-Flat
21	3-6498	4	Washer-Thrust
23	88-5470	2	Spacer-Front Axle
24	3-6498	2	Washer-Thrust

Ref. No.	Part No.	Qty.	Description
25	9266714	2	Screw-HWH
26	61-9780	2	Cap-Hub
27	3272-12	2	Pin-Cotter
28	28-2480	2	Washer
29		2	Wheel & Tire ASM, 15" (only on: 71226)
29		2	Wheel&tire ASM,Front (only on: 71223)
29:1	99-2988	1	Tire
29:2	88-4370	1	15" Rim ASM (only on: 71223)
29:2	99-6829	1	Rim ASM-Welded (only on: 71226)
29:2:1	232-27	1	Stem-Valve
29:2:2	110513	2	Bearing-Wheel (only on: 71226)
29:2:2	88-4400	2	Bearing - Wheel (only on: 71223)
29:2:3	302-5	1	Fitting - Grease
*	232-39	1	Tube (only on: 71226)
*	232-39	1	Tube (only on: 71223)
30	92-7889-03	1	RH Spindle Wa
31	99-6844-03	1	Axle-Front
32	88-5380	1	Tie Rod - Steering
33	32151-48	2	E-Ring
34	88-4830	1	Link-Drag

* Not illustrated

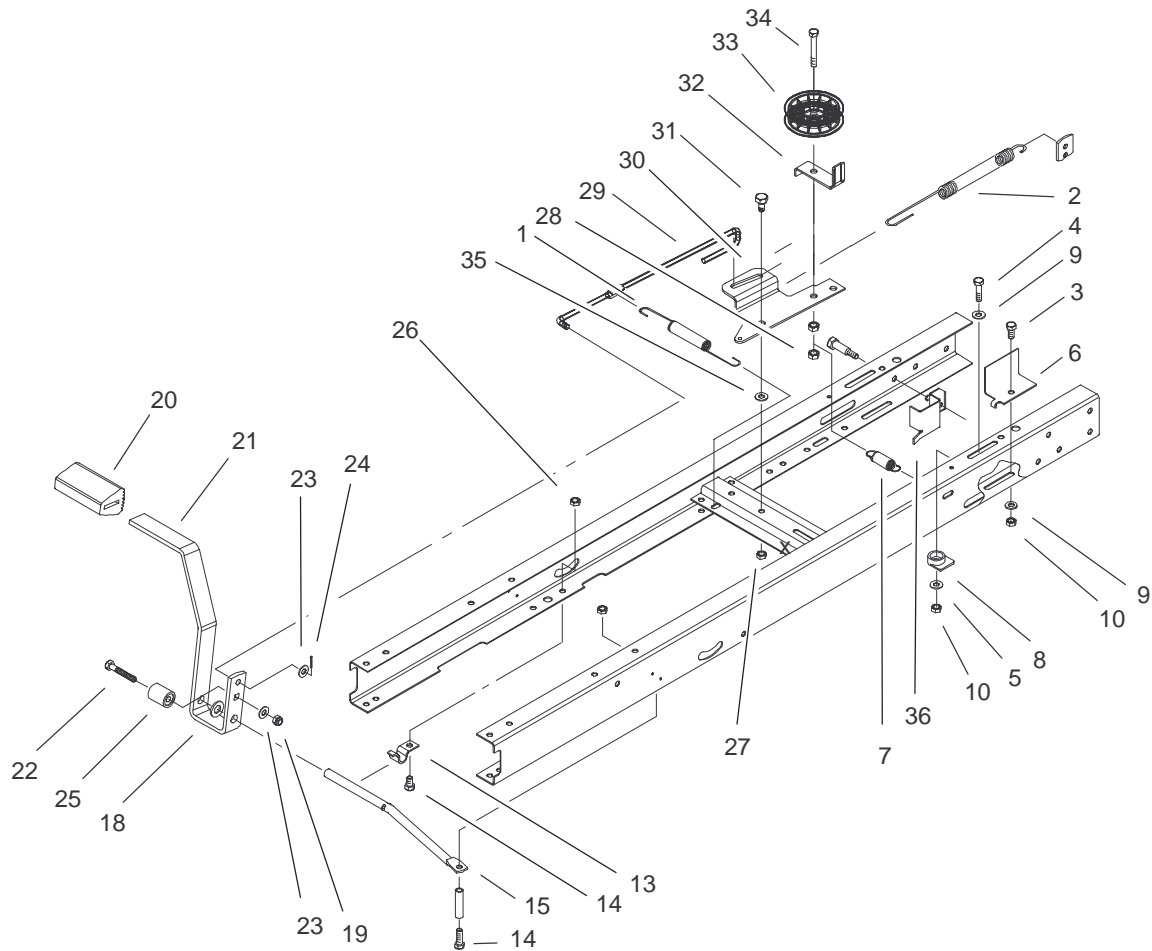


Sheet No.:8

Engine Assembly

Ref. No.	Part No.	Qty.	Description	Ref. No.	Part No.	Qty.	Description
1	88-4340	1	Control-Throttle	30	88-4350	1	Cable-Throttle
1:1	66-0120	1	Knob	31	88-3980	1	Gas Cap ASM
2	27-0220	4	Screw-Special	31:3	88-4010	1	Gasket-Gas Cap
3	88-3880	1	Gas Tank ASM	☆32		1	Engine-Briggs & Stratton Model 28q777-0690-E1
3:1	104047	1	Bushing	35	100-6249	1	Decal - Engine
3:2	104048	1	Valve-Fuel	37	93-3809	1	Bracket- Ground
4	47-2963	1	Hose-Gas	38	9266714	1	Screw-HWH
5	2412-98	2	Clamp	39	94-1951	1	Latch - Hood
6	322-9	3	Screw-HH	40	32144-112	2	Screw-Forming, Thread
7	93-3854	3	Guide - Belt Engine	41	93-3882	1	Clip - Tinnerman, U
9	5-4460	4	Washer-Pivot	42	93-3880-03	1	Shield-Muffler
10	322-5	2	Screw-HH	43	9266714	2	Screw-HWH
11	94-1963	1	Pulley-Engine ASM	44	32104-76	2	Screw-Slot, Acorn
12	62-3760	1	Screw-HH	45	93-8450-03	1	Wa - Exhaust Shield
13	3253-22	1	Washer-Lock/Sp	46	322-3	1	Screw-HH
14	3256-25	1	Washer-Flat	47	3253-4	1	Washer
15	94-1953	1	Muffler - Exhaust	48	88-4490	1	Reducer-Throttle Rpm (only on: 71226)
16	9267154	1	Screw	51	99-6842	1	Decal-Logo
20	88-4410	1	Gasket-Muffler				
21	3253-4	2	Washer				
22	3274-10	2	Screw-HSH				
23	3255-8	1	Washer-Lock/Ext				
24	93-3855	1	Guide - Belt RH				
26	32149-1	2	Nut-Keps				
28	94-1952	1	Rod - Gas Tank				
29	3296-29	4	Nut-Lock				

☆ Not serviced

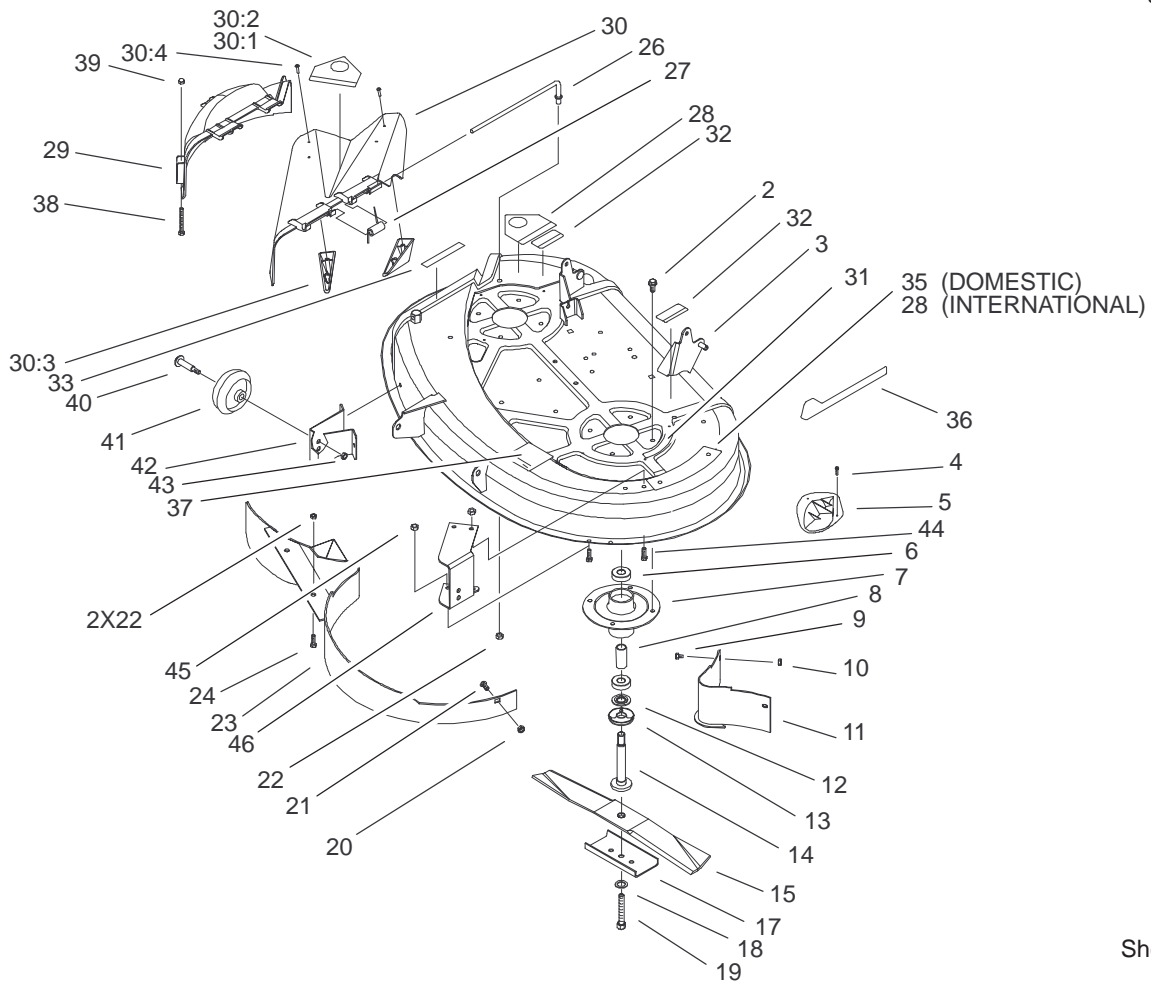


Sheet No.:9

Traction Clutching Assembly

Ref. No.	Part No.	Qty.	Description
1	27-8890	1	Spring-Return
2	94-4294	1	Spring - Brake
3	322-3	1	Screw-HH
4	322-6	1	Screw-HH
5	5-4460	1	Washer-Pivot
6	94-5433	1	Bracket - Belt Guide
7	88-6330	1	Spring - Extension
8	84-5610	1	Guide-Cable
9	3256-23	2	Washer-Flat
10	3296-29	2	Nut-Lock
13	88-4810	1	Clamp-Shift Pivot
14	322-3	2	Screw-HH
15	88-5500	1	Rod-Pedal Pivot
18	3256-26	1	Washer-Flat
19	3296-47	1	Nut-Lock, NI
20	65-2920	1	Pad-Pedal
21	88-5000-03	1	Pedal-Clutch/Brake
22	322-9	1	Screw-HH
23	3256-23	2	Washer-Flat
24	3272-10	1	Pin-Cotter
25	99-6836	1	Spacer-Switch
26	3296-29	2	Nut-Lock
27	3296-29	1	Nut-Lock
28	3296-59	2	Nut-Lock, NI
29	88-5270	1	Rod-Clutch/Brake
30	88-6070	1	Arm-Idler

Ref. No.	Part No.	Qty.	Description
31	37-8770	1	Bolt-Shoulder
32	88-5560	1	Guide-Idler Belt
33	104-4160	1	Pulley-Idler
34	323-10	1	Screw-HH
35	5-4460	1	Washer-Pivot
36	94-4926	1	Bracket - Belt Guide

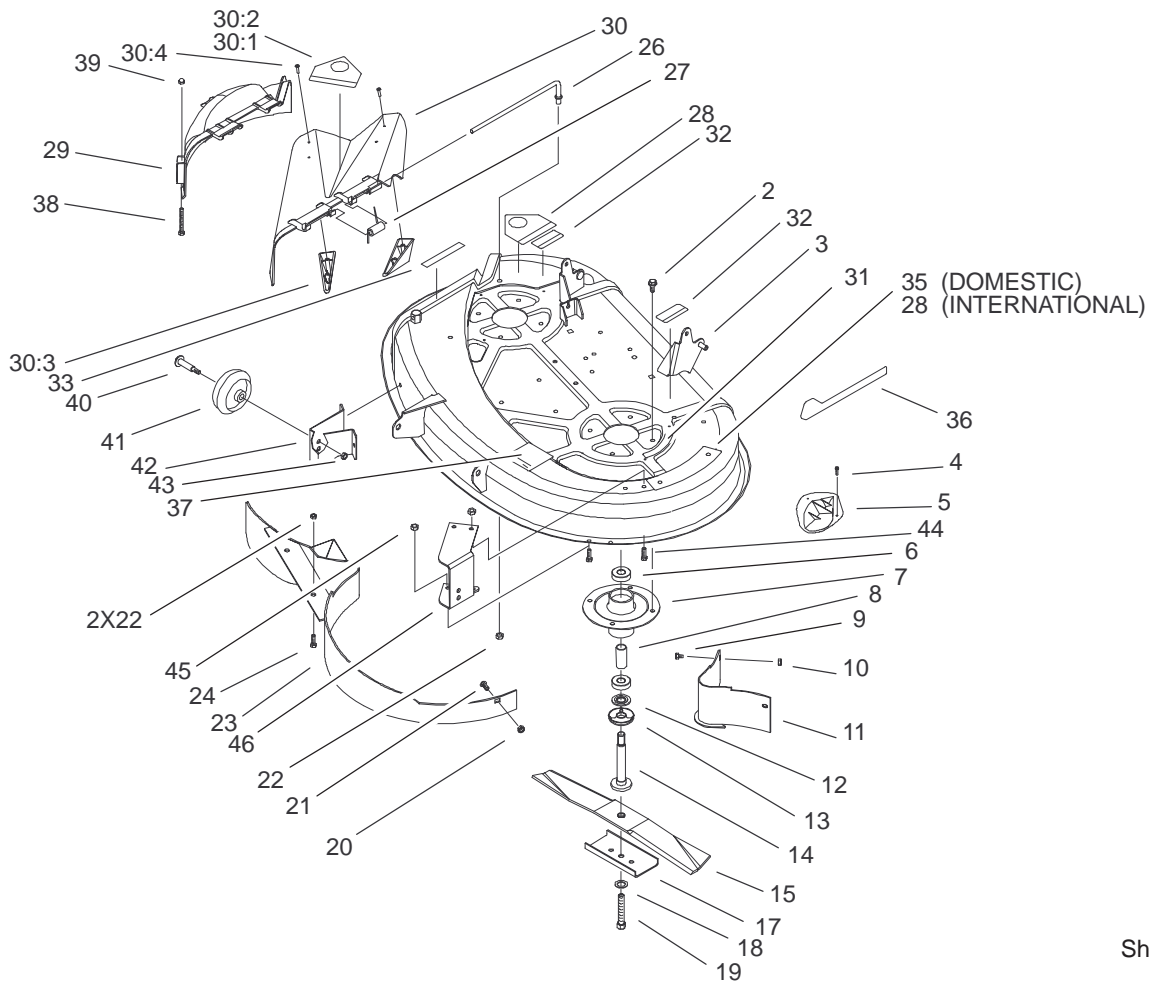


Sheet No.:16

38" Deck Assembly

Ref. No.	Part No.	Qty.	Description
2	32144-41	8	Screw-Taptite
3	99-5846	1	Deck ASM-Service (only on: 71223)
3	99-5847	1	Deck ASM-Service,Intl (only on: 71226)
4	32144-111	8	Screw-PPH
5	76-2160	4	Plate-Kicker
6	38-7820	4	Bearing-Ball
7	88-4510	2	Spindle
8	62-3661	2	Spacer-Bearing
9	321-4	2	Screw-HH
10	3296-42	2	Nut-Lock
11	79-1640-03	1	Baffle Wa
12	80-4380	2	Spacer
13	80-4360	2	Shield-Bearing
14	80-4341	2	Spindle Shaft
15	79-3061	2	Blade-19.32 Rec
17	80-0510-03	2	Blade Stiffener
18	3290-465	2	Washer-Belleville
19	26-0671	2	Screw-Blade
20	3296-29	1	Nut-Lock
21	3230-1	1	Screw-CARR
22	3296-39	3	Nut-Lock, NI
23	79-1600-03	1	Baffle Wa
24	323-5	2	Screw-HH

Ref. No.	Part No.	Qty.	Description
26	95-1661	1	Rod - Pivot
27	57-6950	1	Spring
28	93-1122	1	Decal-Danger (only on: 71223)
28	93-7010	2	Decal - Danger (only on: 71226)
29	88-4430	1	Recycler Cover
30	93-7695	1	Deflector ASM (only on: 71226)
30	93-0317	1	Deflector ASM - 38" (only on: 71223)
30:1	93-7010	1	Decal - Danger (only on: 71226)
30:2	93-1122	1	Decal-Danger (only on: 71223)
30:3	93-7696	2	Kicker (only on: 71226)
30:4	93-0231	4	Screw - PPH (only on: 71226)
31	68-3660	1	Decal-Shield Danger (only on: 71223)
31	93-6677	1	Decal - Shield Danger (only on: 71226)
32	55-4300	2	Decal (only on: 71223)

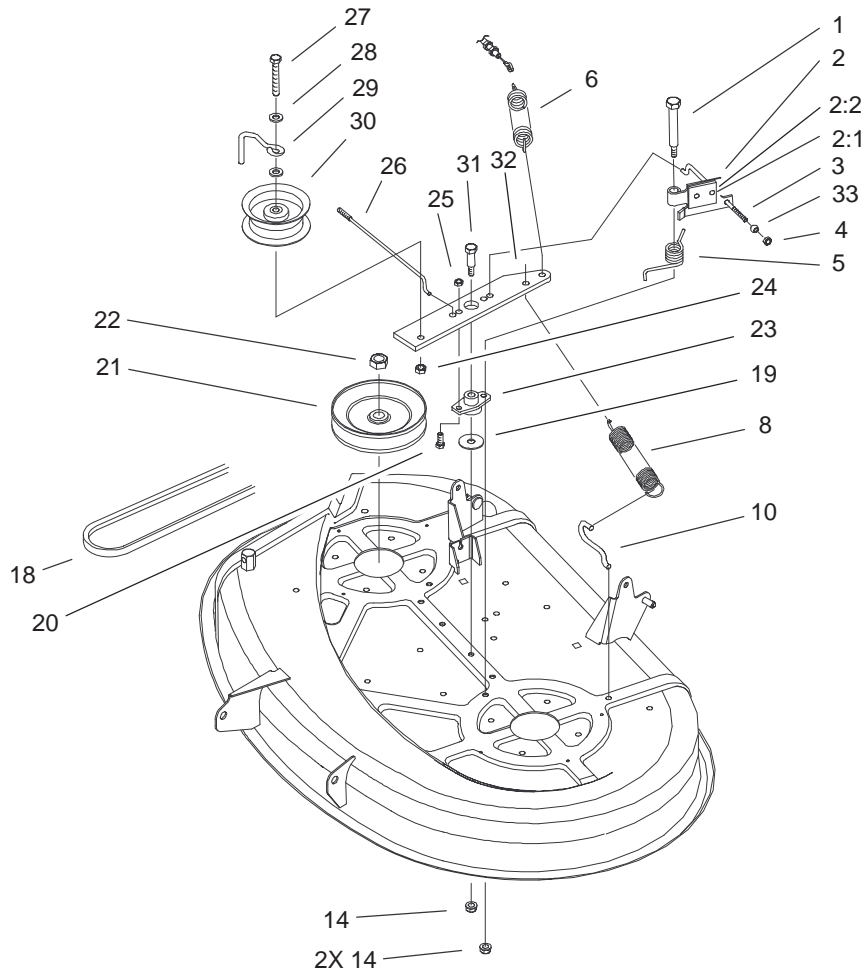


Sheet No.:16

38" Deck Assembly (cont.)

Ref. No.	Part No.	Qty.	Description
32	93-6674	2	Decal -, Warning (only on: 71226)
33	93-7009	1	Decal-Danger (only on: 71226)
33	68-3650	1	Decal-Deflector Danger (only on: 71223)
35	79-3140	1	Decal-Danger (only on: 71223)
36	100-6203	1	Decal-Recycler 38"
37	93-6679	1	Decal-Belt Routing
38	321-15	2	Screw-HH
39	32111-7	2	Nut-Cap
40	56-6591	2	Bolt-Wheel (only on: 71226)
41	701756	2	Wheel-Gage (only on: 71226)
42	88-5740-03	1	RH Whl Deck Brkt (only on: 71226)
43	3296-39	2	Nut-Lock, NI (only on: 71226)
44	322-3	6	Screw-HH (only on: 71226)
45	3296-29	6	Nut-Lock (only on: 71226)

Ref. No.	Part No.	Qty.	Description
46	93-3896-03	1	Brkt,LH Deckwheel (only on: 71226)

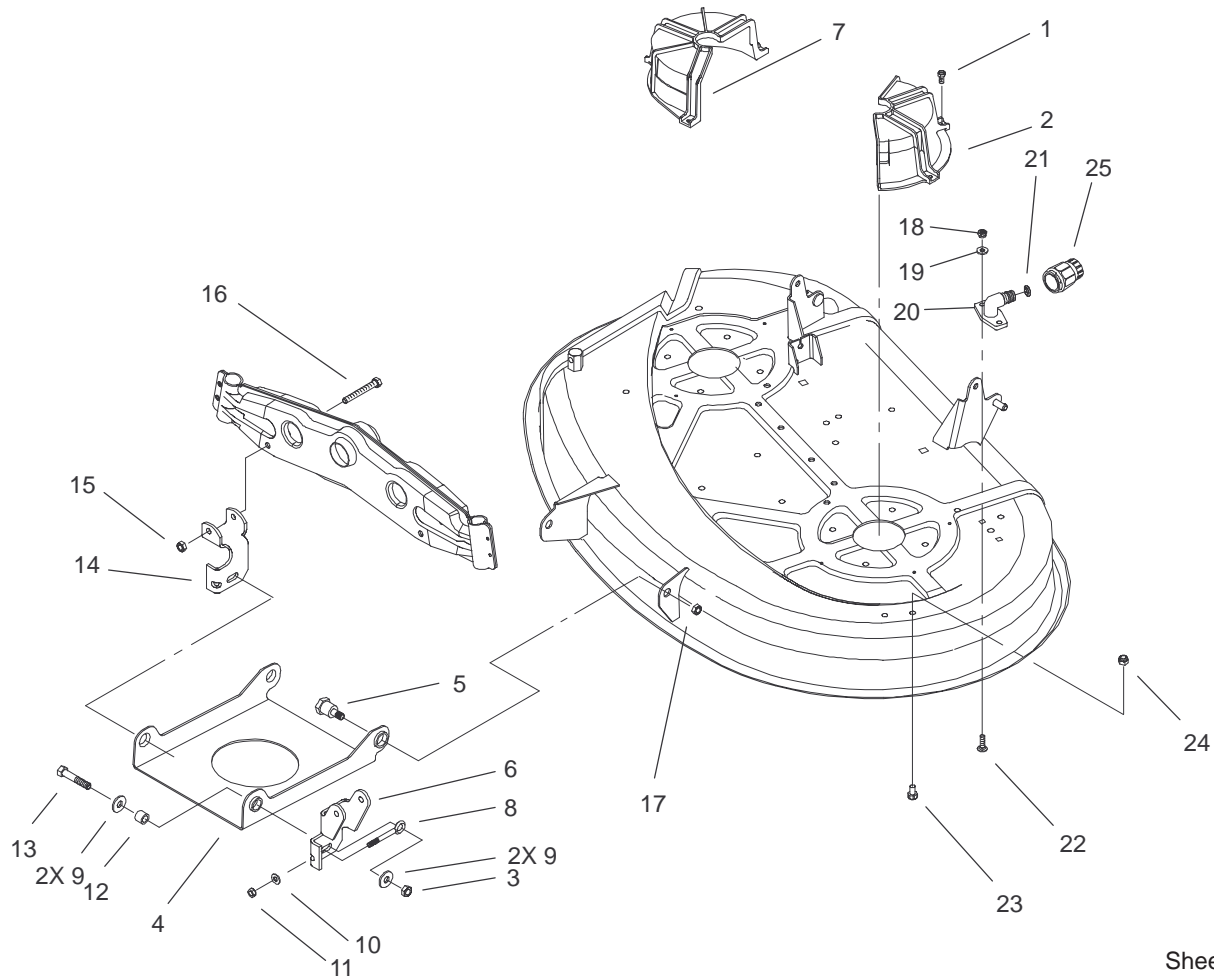


Sheet No.:17

38" Deck Blade Drive & Brake Assembly

Ref. No.	Part No.	Qty.	Description
1	88-4590	2	Bolt-Shoulder
2	88-6100	2	Brake ASM
2:1	3290-282	2	Rivet-Pop, Steel
2:2	56-9830	1	Pad-Brake
3	88-5550	1	LH Deck Brake Rod
4	3296-42	2	Nut-Lock
5	88-5910	2	Torsion Spring
6	88-6130	1	Spring-Deck Engagement
8	92-8934	1	Spring - Extension
10	88-5970	1	Hook Return Spring
14	3296-58	3	Nut-Lock NI
18	88-6250	1	V-Belt
19	3256-68	1	Washer-Flat
20	322-5	2	Screw-HH
21	88-5330	2	Pully-Deck
22	3219-6	2	Nut-Hex
23	88-4980	1	Bushing Idler Arm
24	3296-39	1	Nut-Lock, NI
25	3296-29	2	Nut-Lock
26	88-5540	1	RH Deck Brake Rod
27	323-12	1	Screw-HH
28	3256-24	2	Washer-Flat
29	88-5070	1	Guide-Idler, Belt
30	88-5630	1	Pulley-Idler, Flat
31	7-0030	1	Bolt-Shoulder

Ref. No.	Part No.	Qty.	Description
32	88-4870-03	1	Arm Idler Deck
33	67-0710	2	Ball-Swivel Stop

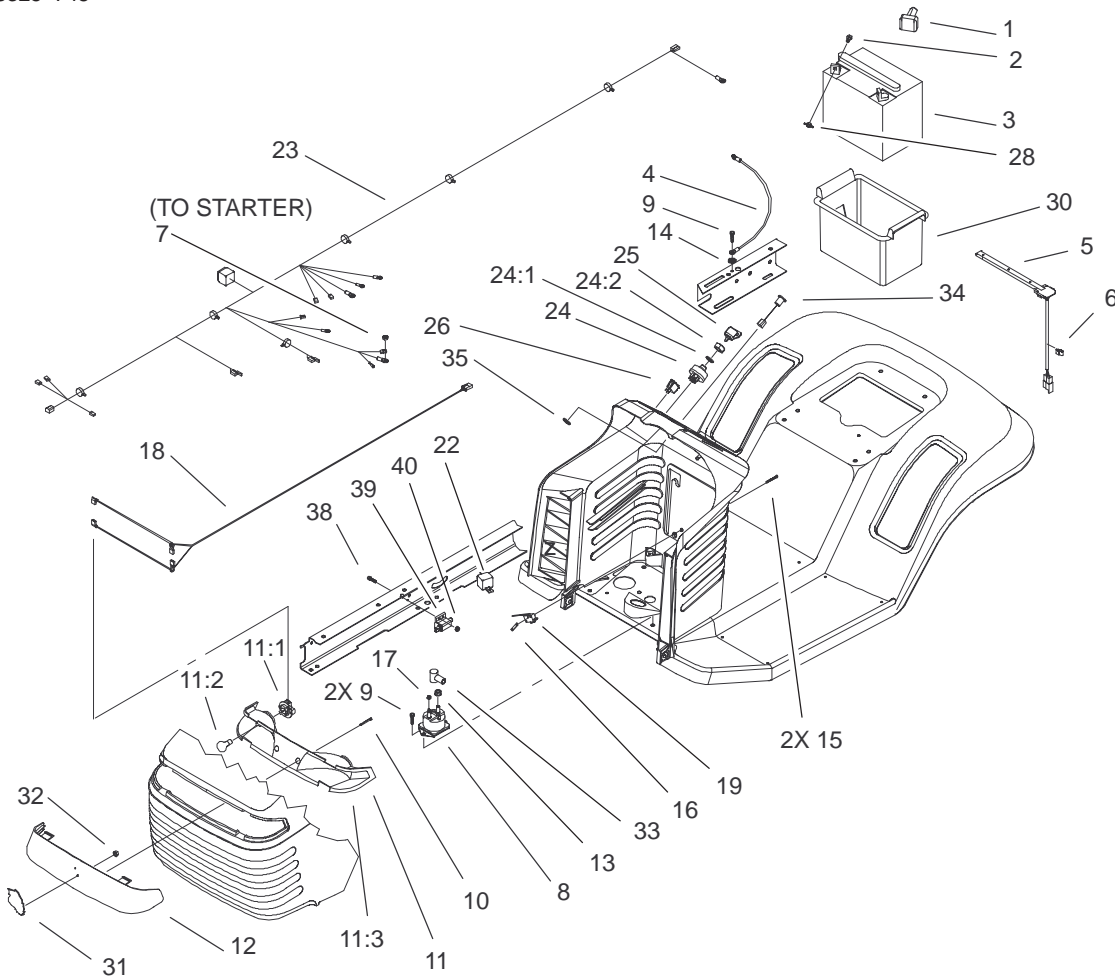


Sheet No.:18

38" Deck Engagement Assembly

Ref. No.	Part No.	Qty.	Description
1	32104-76	5	Screw-Slot, Acorn
2	88-4030	1	LH Deck Belt Guide
3	3296-39	2	Nut-Lock, NI
4	93-3881-03	1	Pan-Front Deck, Suspension
5	94-5823	2	Bolt-Shoulder
6	94-1971-03	1	Brkt - LH Deck Susp
7	88-4020	1	RH Deck Belt Guide
8	61-9980	2	Screw-Adjusting
9	80-6990	4	Washer-Hardened
10	3256-22	2	Washer-Flat
11	3296-42	2	Nut-Lock
12	93-9847	2	Spacer
13	323-9	2	Screw-HH
14	94-1970-03	1	Brkt-RH Deck Susp
15	3296-29	2	Nut-Lock
16	322-12	2	Screw-HH
17	3296-23	2	Nut-Lock, NI
18	3296-16	2	Nut-Lock, NI
19	3256-1	2	Washer-Flat
20	95-2747	1	Fitting-Washout
21	46-6290	1	O-Ring
22	3229-1	2	Screw-CARR
23	322-1	2	Screw-HH (only on: 71223)

Ref. No.	Part No.	Qty.	Description
24	3296-29	2	Nut-Lock (only on: 71223)
25	95-3270	1	Connector-Hose (only on: 71223)

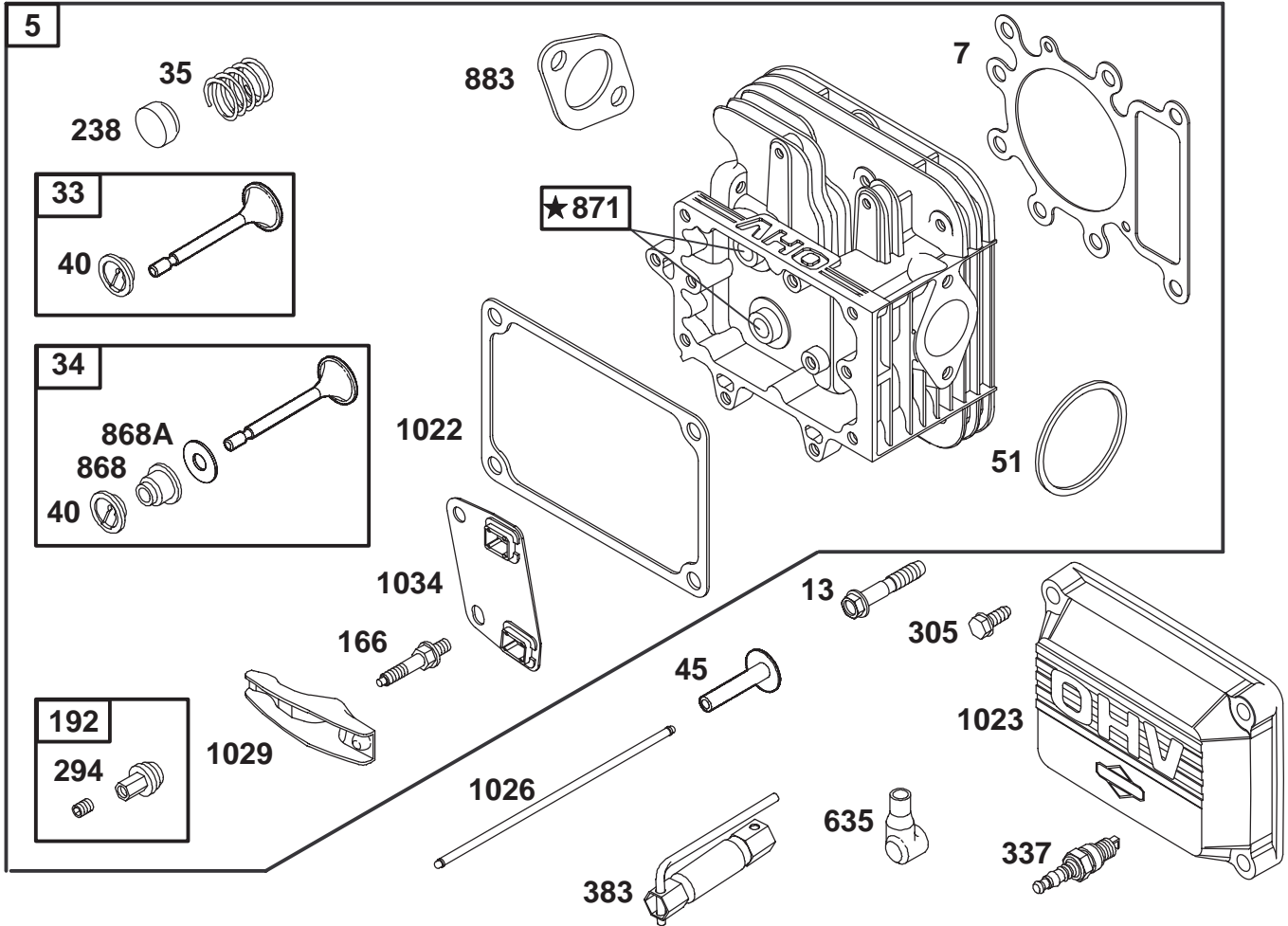


Sheet No.:20

Electrical Assembly

Ref. No.	Part No.	Qty.	Description
1	28-8080	1	Boot-Terminal
2	321-4	2	Screw-HH
3	104-1755	1	Battery-155 Cca
4	44-8110	1	Wire ASM
5	38-1420	1	Switch-Seat
6	702366	1	Clip-Wire Retainer
7	32149-2	1	Nut-Keps
8	28-4210	1	Solenoid
9	9266714	3	Screw-HWH
10	32144-32	2	Screw
11	88-3970	1	Reflector & Lamp ASM
11:1	111686	2	Socket-Light
11:2	7228	2	Bulb -No. 1156
11:3	93-8741	1	Reflector
12	88-3960	1	Lens-Headlight
13	32149-1	2	Nut-Keps
14	3255-7	2	Washer-Lock/Ext
15	93-0539	2	Screw-HH
16	3290-354	1	Nut-Speed
17	32149-8	2	Nut-Keps
18	99-1935	1	Harness-Headlight
19	88-9932	1	Switch-Micro
22	98-7249	1	Relay-Speedometer
23	99-6841	1	Harness-Wire, Gear
24	88-9830	1	Switch-Ignition
24:1	3254-5	1	Washer-Lock/Internal

Ref. No.	Part No.	Qty.	Description
24:2	218-461	1	Nut-HH
25	63-8360	1	Key-Ignition
26	92-8875	1	Switch - Rocker
28	32103-22	2	Nut-Wing
30	88-4040	1	Box-Battery
31	80-2240	1	Emblem-Grille Whlhorse
32	3290-299	1	Clip
33	94-5362	1	Boot - Terminal Insulator
34	95-7652	1	Light - Indicator
35	99-6059	1	Clip-Retainer
38	3274-14	2	Screw-HSH
39	65-7410	1	Switch - Single Pole
40	3296-2	2	Nut-lock

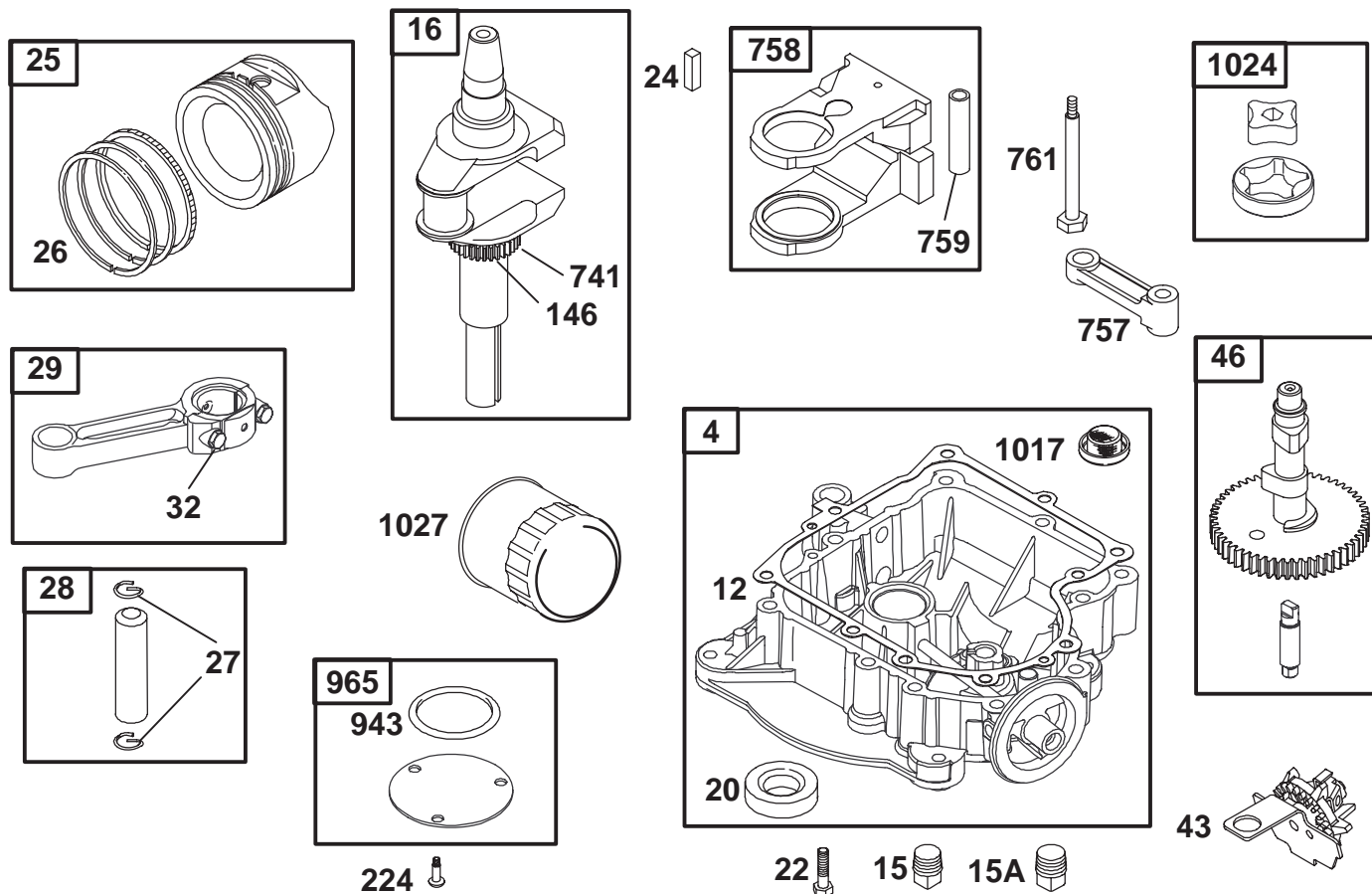


Engine Briggs & Stratton Model 28Q777-0690-E1

Ref. No.	Part No.	Qty.	Description
5	691165	1	Head-Cylinder
Δ★7	273280	1	Gasket-Cylinder Head
13	94728	1	Screw-Cylinder Head
33	495856	1	Valve-Exhaust
34	495857	1	Valve-Intake
35	262811	1	Spring-Valve
40	224641	1	Retainer-Valve
45	690564	1	Tappet-Valve
51	692138	1	Gasket-Intake
166	94555	1	Stud-Rocker Arm
192	492160	1	Adjuster-Valve
238	262836	1	Cap-Valve
294	810104	1	Screw-Set
305	94682	1	Screw-Hex. Head
337	491055	1	Plug-Spark
383	89838	1	Wrench-Spark Plug
635	280872	1	Elbow-Spark Plug
Δ★868	499236	1	Seal-Valve
868A	272610	1	Seal-Valve
871	262835	1	Bushing-Guide (Intake and Exhaust)
Δ★883	272293	1	Gasket-Exhaust
Δ★1022	272475	1	Gasket-Rocker Cover
1023	214314	1	Cover-Rocker
1026	494432	1	Rod-Push (Intake)
			Note: 495136

Ref. No.	Part No.	Qty.	Description
		1	Rod-Push (Exhaust)
1029	224554	1	Arm-Rocker
1034	495248	1	Guide-Push Rod

★ Included in Gasket Set-Part No. 495993. Δ Included in Valve Overhaul Kit-Part No. 495992.

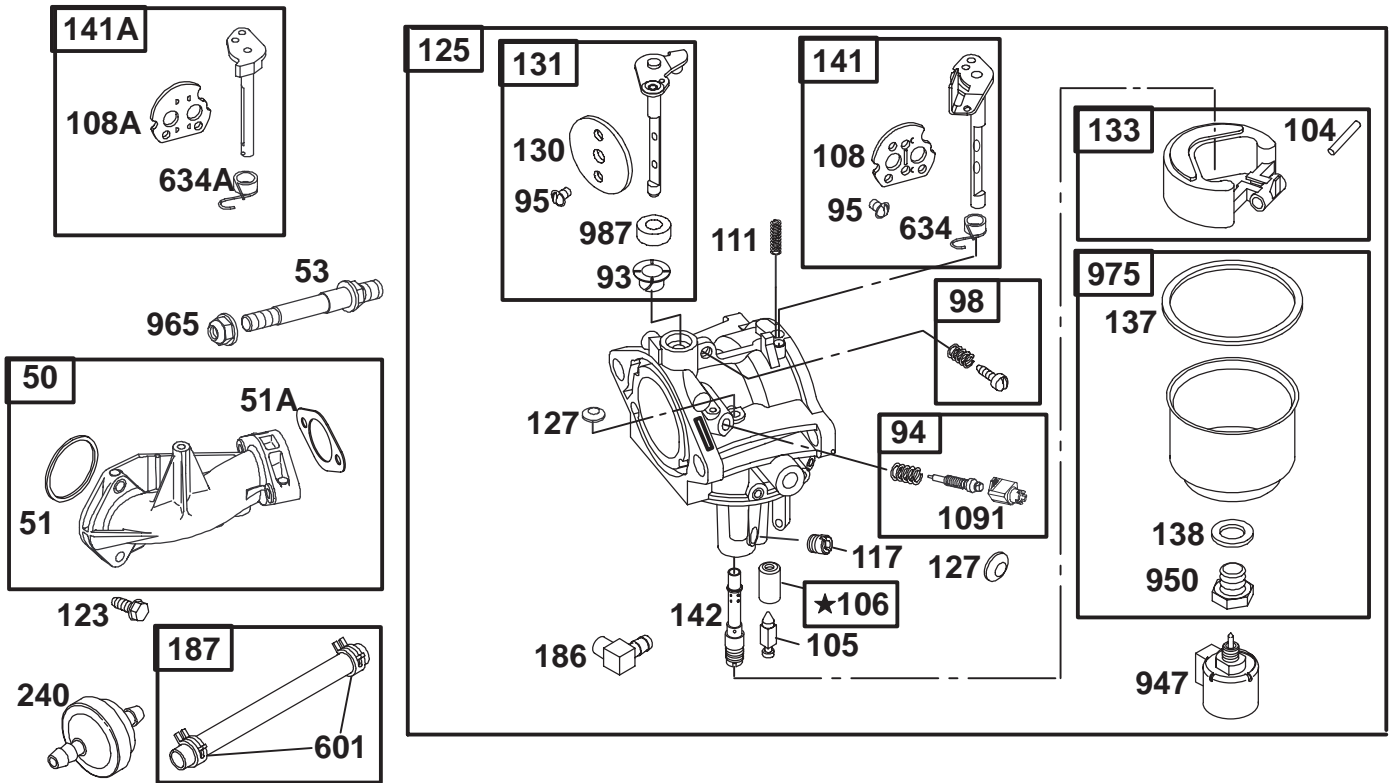


Engine Briggs & Stratton Model 28Q777-0690-E1

Ref. No.	Part No.	Qty.	Description
4	693582	1	Base-Engine
★12	271916	1	Gasket-Crankcase (.015" Thick, Std.)
★	271997	1	Gasket-Crankcase (.005" Thick)
★	271996	1	Gasket-Crankcase (.009" Thick)
15	94239	1	Plug-Oil Drain
15A	91488	1	Plug-Oil Pressure Switch
16	690136	1	Crankshaft
★20	291675	1	Seal-Oil
22	692125	1	Screw-Sem
24	222698	1	Key-Flywheel
25	499284	1	Piston Assembly (Standard)
	499288	1	Piston Assy. (.010" O.S.)
	499292	1	Piston Assy. (.020" O.S.)
	499296	1	Piston Assy. (.030" O.S.)
26	495854	1	Ring Set (Standard)
	495852	1	Ring Set (.010" O.S.)
	495851	1	Ring Set (.020" O.S.)
	495855	1	Ring Set (.030" O.S.)

Ref. No.	Part No.	Qty.	Description
27	263129	1	Lock-Piston Pin
28	498319	1	Pin-Piston (Standard)
	498320	1	Pin-Piston (.005" O.S.)
29	692419	1	Rod-Connecting (Standard)
32	692852	1	Screw-Conn. Rod
43	490815	1	Governor/Oil Slinger
46	693450	1	Camshaft
146	94196	1	Key-Timing Gear
224	691033	1	Screw-TorxRHex.
741	262932	1	Gear-Timing
757	213998	1	Link-Counterweight
758	499994	1	Counterweight Assy.
759	230787	1	Pin-Counterweight
761	94593	1	Screw-Counterweight
943	280801	1	Seal-O-Ring
965	499613	1	Cover-Pump
1017	491722	1	Screen-Oil Pump
1024	499054	1	Pump-Oil
1027	492932	1	Filter-Oil

★ Included in Gasket Set-Part No. 495993.



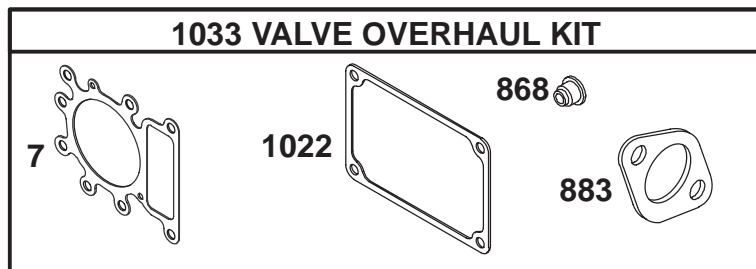
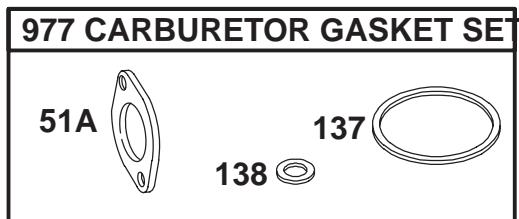
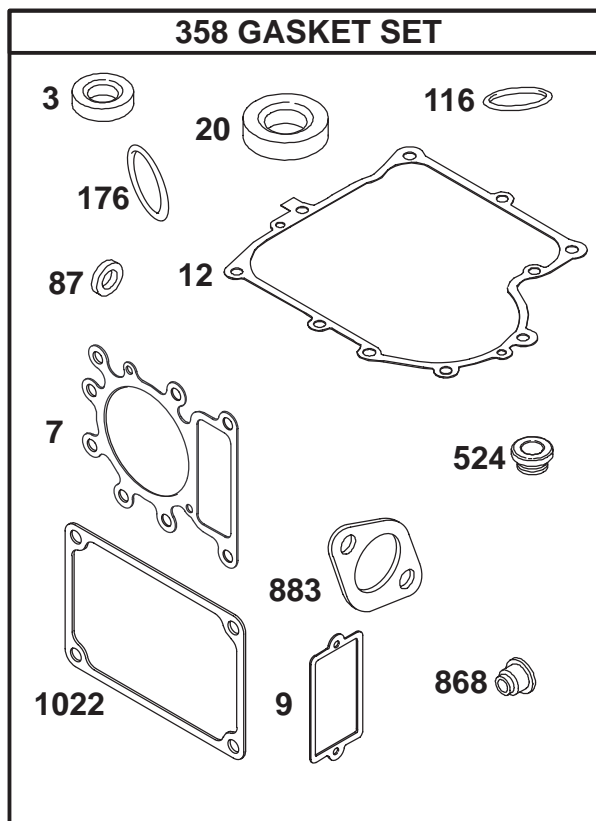
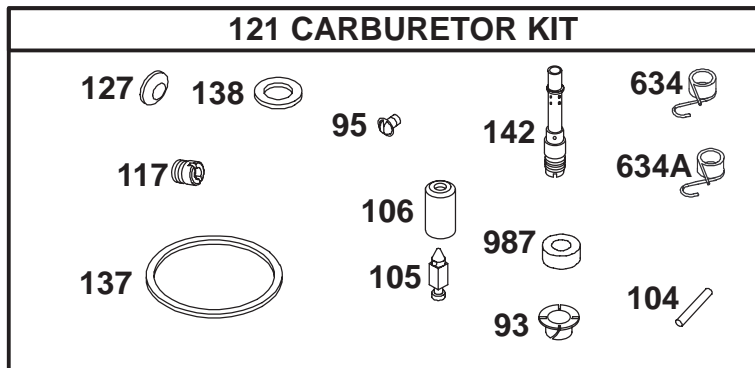
★ REQUIRES SPECIAL TOOLS TO INSTALL. SEE REPAIR INSTRUCTION MANUAL. Assemblies include all parts shown in frames.

Engine Briggs & Stratton Model 28Q777-0690-E1

Ref. No.	Part No.	Qty.	Description
50	690193	1	Manifold-Intake
51	692138	1	Gasket-Carburetor Manifold
●51A	273650	1	Gasket-Carburetor
53	690227	1	Stud-Carb. Mtg.
●93	281346	1	Bushing-Throttle Shaft
94	498030	1	Valve-Idle Adjust
●95	94098	1	Screw-Round Head
98	495800	1	Screw-Idle Adjust
●104	231789	1	Pin-Float Hinge
●105	231855	1	Valve-Inlet Needle
●106	231854	1	Seat-Inlet
108	224558	1	Valve-Choke (Manual)
108A	224540	1	Valve-Choke (Remote)
111	262715	1	Spring-Friction
●117	232118	1	Jet-Main (Standard)
	232119	1	Jet-Main (High Altitude)
123	95160	1	Screw-Elbow Mtg.
125	499153	1	Carburetor
●127		1	Plug-Welch (Sold in Kit Only)
130	224539	1	Valve-Throttle
131	494379	1	Shaft-Throttle
133	494381	1	Float-Carburetor
◆137	281165	1	Gasket-Float Bowl

Ref. No.	Part No.	Qty.	Description
◆138	281164	1	Washer-Float Bowl
141	495097	1	Shaft-Choke (Manual)
141A	495931	1	Shaft-Choke (Remote)
●142	232117	1	Nozzle-Carburetor
186	493496	1	Elbow-Fuel Pipe
187	298049	1	Line-Fuel (Cut to Length)
240	394358	1	Filter-Fuel
601	93053	1	Clamp-Hose
●634	494453	1	Seal-Spring Assembly
●634A	494455	1	Seal-Spring Assembly
947	497672	1	Solenoid
950	94642	1	Screw-Fuel Bowl
965	94010	1	Nut-Hex.
975	495933	1	Bowl-Float
●987	281166	1	Seal-Throttle Shaft
1091	281364	1	Cap-Limiter

● Included in Carburetor Kit-Part No. 499116. ◆ Included in Carburetor Gasket Set-Part No. 690192.



Assemblies include all parts shown in frames.

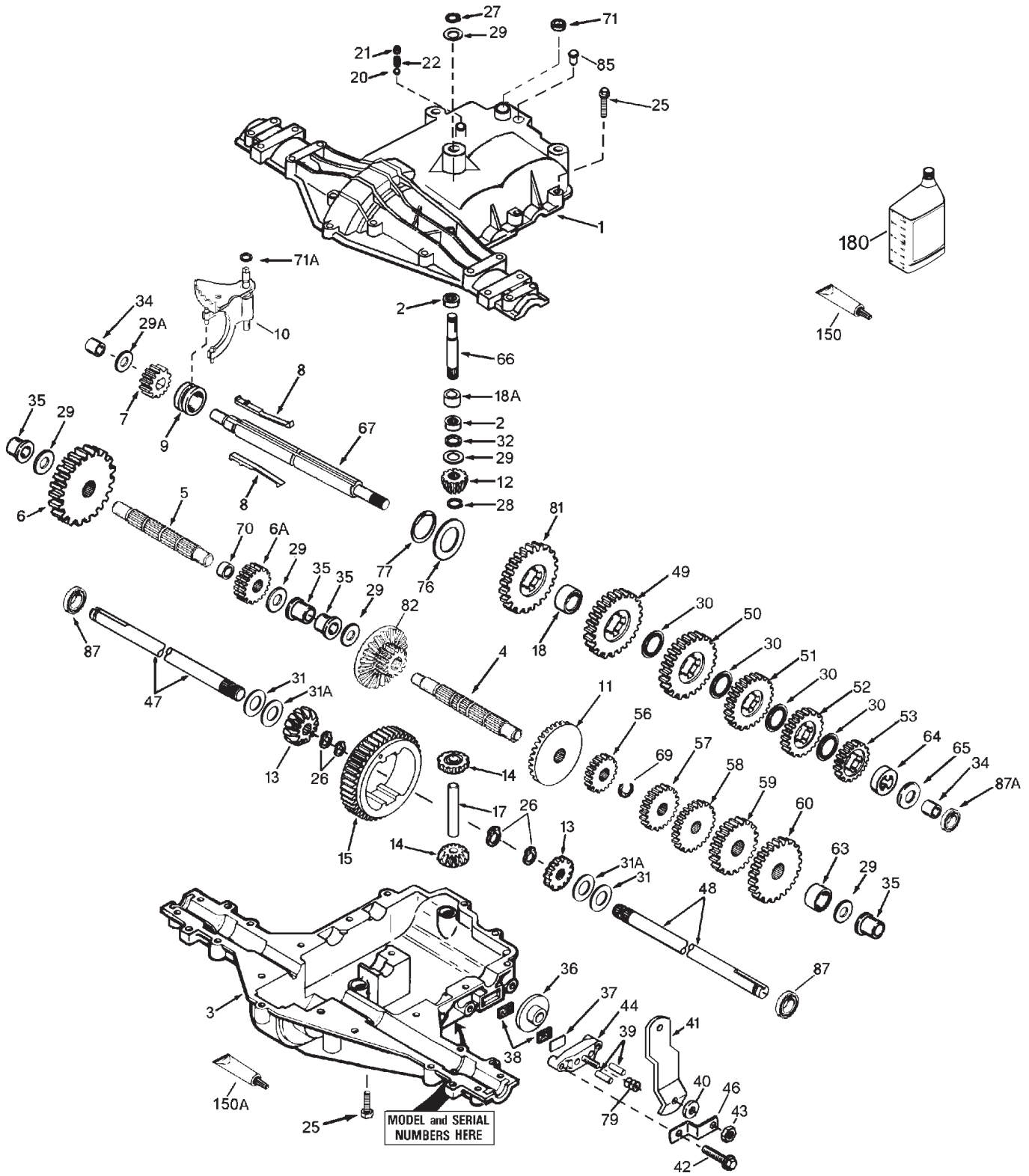
Engine Briggs & Stratton Model 28Q777-0690-E1

Ref. No.	Part No.	Qty.	Description
★3	391086	1	Seal-Oil
△★7	273280	1	Gasket-Cylinder Head
★9	27803	1	Gasket-Valve Cover
★12	271916	1	Gasket-Crankcase (.015" Thick)
★	271997	1	Gasket-Crankcase (.005" Thick)
★	271996	1	Gasket-Crankcase (.009" Thick)
★20	291675	1	Seal-Oil
●51A	273650	1	Gasket-Carburetor
★87	491323	1	Seal-Governor
●93	281346	1	Bushing-Throttle Shaft
●95	94098	1	Screw-Throttle
●104	231789	1	Pin-Float Hinge
●105	231855	1	Valve-Inlet Needle
●106	231854	1	Seat-Inlet
★116	270920	1	Seal-O-Ring
●117	232118	1	Jet-Main
121	499233	1	Carburetor Kit
●127		1	Plug-Welch (Sold in Kit Only).
●◆137	281165	1	Gasket-Float Bowl
●◆138	281164	1	Washer-Float Bowl
●142	232117	1	Nozzle-Carburetor
★176	281106	1	Gasket-Air Cleaner

Ref. No.	Part No.	Qty.	Description
358	495993	1	Gasket Set
★524	281370	1	Seal-Fill Tube
●634	494453	1	Seal-Spring Assembly
●634A	494455	1	Seal-Spring Assembly
△★868	494435	1	Seal-Valve
△★883	272293	1	Gasket-Exhaust
977	690192	1	Carburetor Gasket Set
●987	281166	1	Seal-Throttle Shaft
△★1022	272475	1	Gasket-Rocker Cover
1033	495992	1	Kit-Valve Overhaul

● Included in Carburetor Kit-Part No. 499116. ◆ Included in Carburetor Gasket Set-Part No. 690192.
 ★ Included in Gasket Set-Part No. 495993. △ Included in Valve Overhaul Kit-Part No. 495992.

PEERLESS TRANSAXLE MODEL MST 205-509



Peerless Transaxle Model MST 205-509

Ref. No.	Part No.	Qty.	Description	Ref. No.	Part No.	Qty.	Description
1	772137	1	Transaxle Cover	41	790080	1	Brake Lever
2	780086A	2	Needle Bearing	42	792073	2	Screw
3	770123	1	Transaxle Case	43	792075	1	Locknut
4	776395	1	Countershaft	44	790025	1	Brake Pad Holder
5	776397	1	Output Shaft	46	786086	1	Brake Lever Bracket
6	778331	1	Spur Gear (38 teeth)	47	774690	1	Axle (11-15/16" long)
6A	778332	1	Spur Gear (15 teeth-steel)	48	774691	1	Axle (16-1/2" long)
7	778330	1	Spur Gear (11 teeth-steel)	49	778356	1	Spur Gear (29 teeth-steel)
8	792136A	2	Shift Key	50	778354	1	Spur Gear (23 teeth-steel)
9	784352	1	Shift Collar	51	778344	1	Spur Gear (20 teeth)
10	784378	1	Shift Rod & Fork	52	778350	1	Spur Gear (16 teeth-steel)
11	778334	1	Bevel Gear (30 teeth)	53	778346	1	Spur Gear (15 teeth-steel)
12	778309	1	Input Bevel Pinion (13 teeth)	56	778355	1	Spur Gear (11 teeth-steel)
13	778327	2	Bevel Gear (16 teeth-steel) (Incl. 14)	57	778353	1	Spur Gear (17 teeth-steel)
14	778327	2	Bevel Gear (16 teeth-steel) (Incl. 13)	58	778343	1	Spur Gear (20 teeth)
15	778312A	1	Ring Gear (43 teeth)	59	778349	1	Spur Gear (24 teeth-steel)
17	786139	1	Drive Pin	60	778345	1	Spur Gear (25 teeth)
18	786102	1	Spacer	63	786071	1	Countershaft Spacer
18A	786175	1	Spacer	64	786072	1	Brake Shaft Spacer
20	792077	1	Ball 5/16" dia	65	780189	1	Washer
21	792078	1	Set Screw	66	776394	1	Input Shaft
22	792079	1	Spring	67	776396	1	Shifter & Brake Shaft
25	792073	18	Screw	69	792170	1	Retaining Ring
26	792125	4	Retaining Ring (pkg of 2)	70	786172	1	Spacer
27	792035	1	Retaining Ring	71	788069	1	Square Cut Ring
28	788040	1	Retaining Ring	71A	788092	1	"O" Ring
29	780072	6	Washer	76	780090	1	Washer
29A	780160	1	Washer	77	788078A	1	Inverted Retaining Ring
30	780108	4	Washer	79	792144	1	Spring
31	780001	2	Washer (.056 wide) (USE AS NEEDED)	81	778338	1	Spur Gear (27 teeth)
31A	780195	2	Flat Washer (.062 wide)	82	778333	1	Bevel & Spur Gear (30 & 13 teeth)
32	788083	1	Oil Seal	85	792154	1	Pipe Plug
34	780194	2	Bushing	87	788088	2	Oil Seal
35	780193	4	Flanged Bushing	87A	788089	1	Oil Seal
36	790075	1	Brake Disk	150	788093	1	Liquid Gasket RTV Silicone
37	790007	1	Brake Pad Plate	150A	788094	1	Liquid Gasket Loctite #242
38	799021	2	Brake Pad (pkg of 2)	180	730229A	1	Gear Oil 80W90
39	786026	2	Dowel Pin				
40	792076A	1	Flat Washer				

