



# 18in Electric Trimmer

Model No. 51489—Serial No. 32000001 and Up

Operator's Manual



For assistance, please see [www.Toro.com/support](http://www.Toro.com/support) for instructional videos or contact 1-888-384-9939 before returning this product.

This trimmer is intended to be used by residential homeowners to trim grass as needed outdoors. This electric power head may be used with only Toro-approved attachments. Using this product for purposes other than its intended use could prove dangerous to you and bystanders.

Read this information carefully to learn how to operate and maintain your product properly and to avoid injury and product damage. You are responsible for operating the product properly and safely.

Visit [www.Toro.com](http://www.Toro.com) for product safety and operation training materials, accessory information, help finding a dealer, or to register your product.

## ⚠ WARNING

### CALIFORNIA Proposition 65 Warning

**The power cord on this product contains lead, a chemical known to the State of California to cause birth defects or other reproductive harm. Wash hands after handling.**

**Use of this product may cause exposure to chemicals known to the State of California to cause cancer, birth defects, or other reproductive harm.**

## General Safety Rules

**WARNING:** When using electric gardening appliances, basic safety precautions should always be followed to reduce the risk of fire, electric shock, and personal injury, including the following:

### Read All Instructions

The term "appliance" in all of the warnings refers to your mains-operated (corded) appliance or battery-operated (cordless) appliance.

#### 1. Work area safety

- A. **Keep work area clean and well lit.** *Cluttered or dark areas invite accidents.*
- B. **Do not operate appliances in explosive atmospheres, such as in the presence of flammable liquids, gases, or dust.** *Appliances create sparks, which may ignite the dust or fumes.*
- C. **Keep children and bystanders away while operating an appliance.** *Distractions can cause you to lose control.*

#### 2. Electrical safety

- A. **Appliance plugs must match the outlet. Never modify the plug in any way. Do not use any adapter plugs with earthed (grounded) appliances.** *Unmodified plugs and matching outlets will reduce risk of electric shock.*
- B. **Avoid body contact with earthed or grounded surfaces.** *There is an increased risk of electric shock if your body is earthed or grounded.*
- C. **Do not abuse the cord. Never use the cord for carrying, pulling, or unplugging the appliance. Keep cord away from heat, oil, sharp edges, or moving parts.** *Damaged or entangled cords increase the risk of electric shock.*
- D. **Do not expose appliances to rain or wet conditions.** *Water entering an appliance will increase the risk of electric shock.*
- E. **When operating an appliance outdoors, use an extension cord suitable for outdoor use.** *Use of a cord suitable for outdoor use reduces the risk of electric shock.*
- F. **Disconnect the plug from the power source when the appliance is not in use.**

#### 3. Personal safety

- A. **Stay alert; watch what you are doing, and use common sense when operating an appliance. Do not use an appliance while you are tired or under the influence of drugs, alcohol, or medication. A**



*moment of inattention while operating appliances may result in serious personal injury.*

- B. **Use personal protective equipment. Always wear eye protection.** *Wear appropriate clothing, including eye protection; long pants; substantial, slip-resistant footwear; rubber gloves; and hearing protection. Wear a dust mask in dusty operating conditions.*
  - C. **Dress properly. Tie back long hair and do not wear loose clothing or jewelry. Keep your hair, clothing and gloves away from moving parts.** *Loose clothes, jewelry, or long hair can be caught in moving parts.*
  - D. **Prevent unintentional starting. Ensure the switch is in the off-position before connecting to power source and/or battery pack, picking up or carrying the appliance.** *Carrying appliances with your finger on the switch or energizing appliances that have the switch on invites accidents.*
  - E. **Do not overreach. Keep proper footing and balance at all times.** *This enables better control of the appliance in unexpected situations.*
  - F. **Keep hands and feet away from the cutting area.**
  - G. **Do not allow children or untrained people to operate or service this device. Allow only people who are responsible, trained, familiar with the instructions, and physically capable to operate or service the device.**
4. **Appliance use and care**
- A. **Do not force the appliance. Use the correct appliance for your application.** *The correct appliance will do the job better and safer at the rate for which it was designed.*
  - B. **Do not use the appliance if the switch does not turn it on and off.** *Any appliance that cannot be controlled with the switch is dangerous and must be repaired.*
  - C. **Disconnect the plug from the power source and/or the battery pack from the appliance before making any adjustments, changing accessories, or storing appliances.** *Such preventive safety measures reduce the risk of starting the appliance accidentally.*
  - D. **Store idle appliances out of the reach of children, and do not allow persons unfamiliar with the appliance or these instructions to operate the appliance.** *Appliances are dangerous in the hands of untrained users.*
  - E. **Store idle appliances indoors.** *When not in use, appliances should be stored indoors in a dry and high or locked-up place, out of the reach of children.*
  - F. **Maintain appliances. Check for misalignment or binding of moving parts, breakage of parts, and any other condition that may affect the operation of the appliance. If damaged, have the appliance repaired before use.** *Many accidents are caused by poorly maintained appliances.*
  - G. **Keep cutting s sharp and clean.** *Properly maintained cutting tools with sharp cutting edges are less likely to bind and are easier to control.*
  - H. **Use the appliance in accordance with these instructions and in the manner intended for the particular type of appliance, taking into account the working conditions and the work to be performed.** *Use of the appliance for operations different from those intended could result in a hazardous situation.*
- I. **Keep guards in place and in working order.**
  - J. Ground Fault Circuit Interrupter (GFCI) protection should be provided on the circuit(s) or outlet(s) to be used for the gardening appliance. Receptacles are available having built-in GFCI protection and may be used for this measure of safety.
  - K. To reduce the risk of electric shock, this appliance has a polarized plug (one blade is wider than the other) and will require the use of a polarized extension cord. The appliance plug will fit into a polarized extension cord only one way. If the plug does not fit, obtain a correct polarized extension cord. A polarized extension cord will require the use of a polarized wall outlet. This plug will fit into the polarized wall outlet only one way. If the plug still does not fit, contact a qualified electrician to install the proper wall outlet. Do not change the equipment plug, extension cord receptacle, or extension cord plug in any way.
5. **Service**
- A. **Have your appliance serviced by a qualified repair person using only identical replacement parts.** *This will ensure that the safety of the appliance is maintained.*
  - B. **If the cord is damaged, it must be replaced by the manufacturer, its authorized service agent or a similarly qualified in order to avoid hazard.**
6. **Double-insulated Appliance**
- In a double-insulated appliance, 2 systems of insulation are provided instead of grounding. No grounding means is provided on a double-insulated appliance, nor should a means for grounding be added to the appliance. Servicing a double-insulated appliance requires extreme care and knowledge of the system, and should be done only by the qualified service personnel at your Authorized Service Dealer. Replacement parts for a double-insulated appliance must be identical to the parts that they replace. A double-insulated appliance is marked with the words "Double Insulation" or "Double Insulated." The symbol (□) may also be marked on the appliance.

## 7. Extension Cord

### **⚠ WARNING**

Using an incorrect extension cord may result in electric shock.

Use only with an extension cord intended for outdoor use, such as an extension cord of cord type SW-A, SOW-A, STW-A, STOW-A, SJW-A, SJOW-A, SJTW-A, or SJTOW-A

Use only three-wire extension cords that have three-prong grounding plugs and grounding receptacles that accept the appliance's plug.

Ensure that your extension cord is in good condition. When using an extension cord, use one heavy enough to carry the current your product will draw. An undersized extension cord will cause a drop in line voltage, resulting in loss of power and overheating. The following table lists the correct cord size depending on the length of the cord. If you are in doubt, use the next heavier gauge. The smaller the gauge number, the heavier the cord.

Extension Cord Length	Minimum Wire Gauge (A.W.G.)
7.6 m (25 feet)	16
15.0 m (50 feet)	16
30.5 m (100 feet)	16
45.7 m (150 feet)	14

**Note:** Do not use an extension cord over 45.7 m (150 feet) long.

To reduce the risk of disconnection of the extension cord during use, connect the extension cord to the trimmer as illustrated in [Connecting to a Power Source \(page 8\)](#).

Do not allow children or untrained people to operate or service this device. Allow only people who are responsible, trained, familiar with the instructions, and physically capable to operate or service the device.

### **SAVE THESE INSTRUCTIONS**

Electrical specifications: 120V ~ 60Hz 5A

# Safety and Instructional Decals



Safety decals and instructions are easily visible to the operator and are located near any area of potential danger. Replace any decal that is damaged or missing.

Symbol	Name	Explanation
AC	Alternating current	Type of current
AMPS or A	Amperes	Current
Hz	Hertz	Frequency (cycles per second)
RPM	Revolutions per minute	Speed of string
VOLTS or V	Volts	Voltage

decal139-5331

**139-5331**

1. Warning—read the *Operator's Manual*; do not operate in wet conditions; do not use if the cord is damaged; wear eye protection.

decal138-6683

**138-6683**

# Setup

# 1

## Unfolding the Handle

No Parts Required

### Procedure

1. Install the square shaft of the string trimmer attachment into the square shaft of the power head (A of [Figure 1](#)).
2. Align the locking button on the lower shaft with the slotted hole on the upper shaft and slide the 2 shafts together (B and C of [Figure 1](#)).

**Note:** The locking button clicks into the slotted hole when the shafts are secured (C of [Figure 1](#)).

3. Using the screw-handle, tighten the screw on the shaft connector until it is secure (D of [Figure 1](#)).

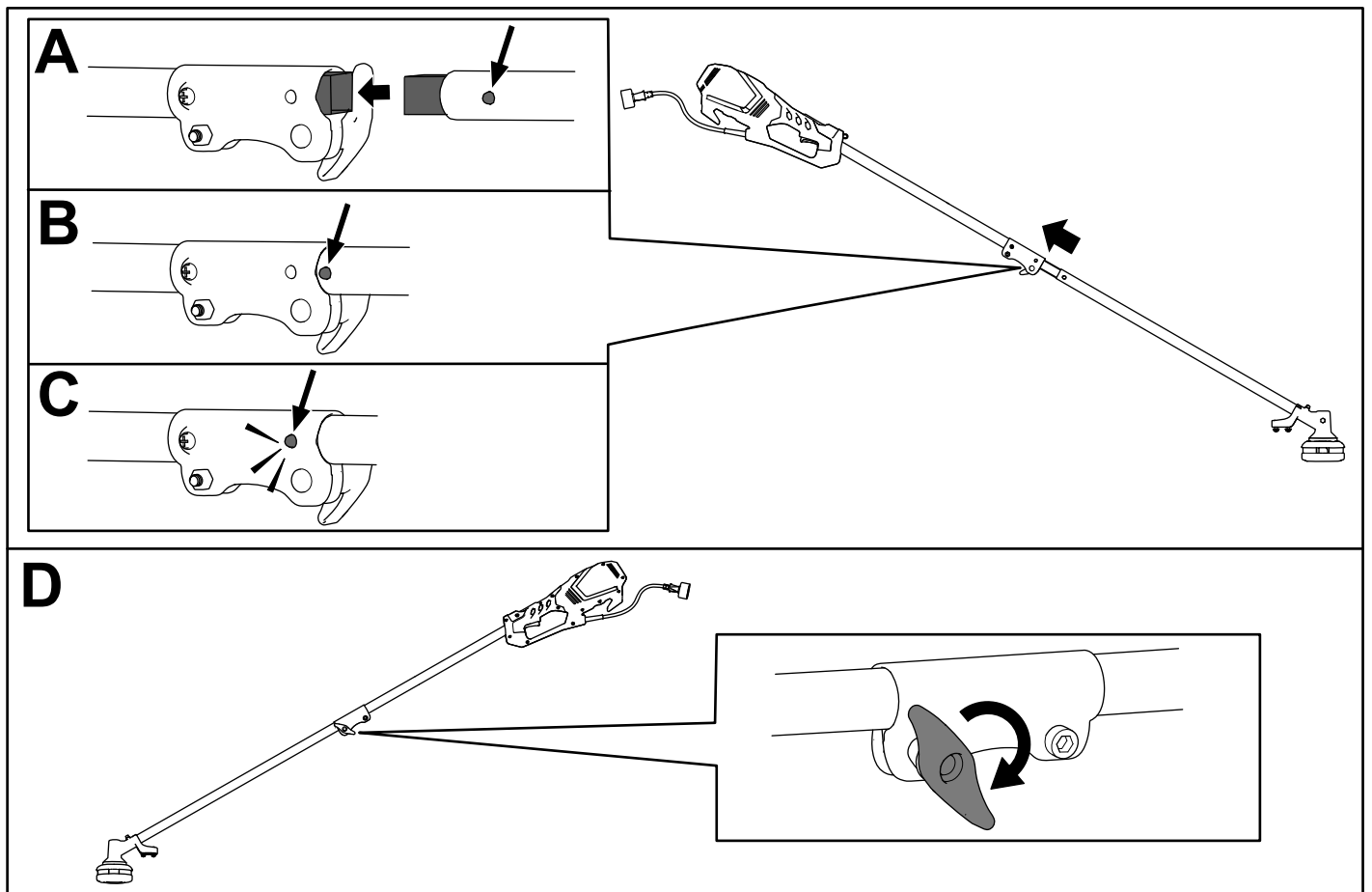


Figure 1

g330915

# 2

## Installing the Auxiliary Handle

Parts needed for this procedure:

1	Auxiliary handle assembly
---	---------------------------

### Procedure

1. Loosen and remove the wing nut and bolt from the auxiliary handle assembly.
2. Line up the auxiliary handle with the upper trimmer shaft (B of Figure 2).
3. Secure the auxiliary handle to the upper trimmer shaft with the wing nut and bolt previously removed (B of Figure 2).

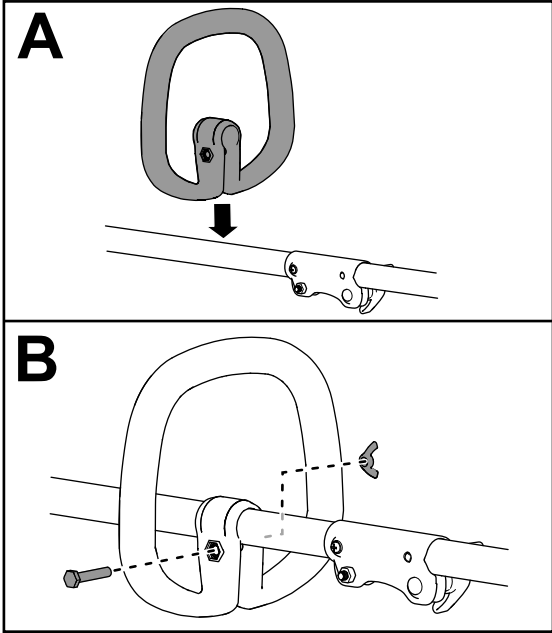


Figure 2

g330926

# 3

## Installing the Guard

Parts needed for this procedure:

1	Guard
4	Washer
4	Bolt

### Procedure

1. Align the trimmer guard beneath the guard mount as shown in [Figure 3](#).

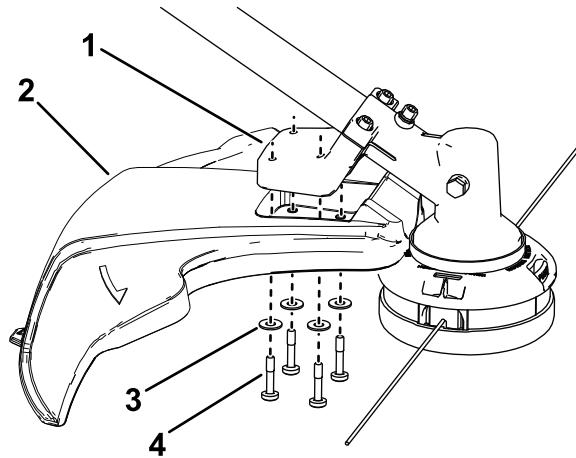


Figure 3

g333216

1. Guard mount
2. Trimmer guard
3. Washer
4. Bolt

2. Secure the guard to the trimmer using the 4 washers and 4 bolts as shown in [Figure 3](#).

# Operation

## Connecting to a Power Source

### **⚠ WARNING**

A loose plug could lead to overheating and cause a fire, possibly burning you or others.

Ensure that you fully seat the cord on the inlet plug and secure the connection.

Do not use a damaged cord.

1. Take a loop of the cord and insert it into the opening in the rear of the string trimmer (A of [Figure 4](#)).
2. Insert the ends of the cord through the loop (B and C of [Figure 4](#)).
3. Connect the cord to the machine plug and ensure that the connection is secure ([Figure 4](#)).

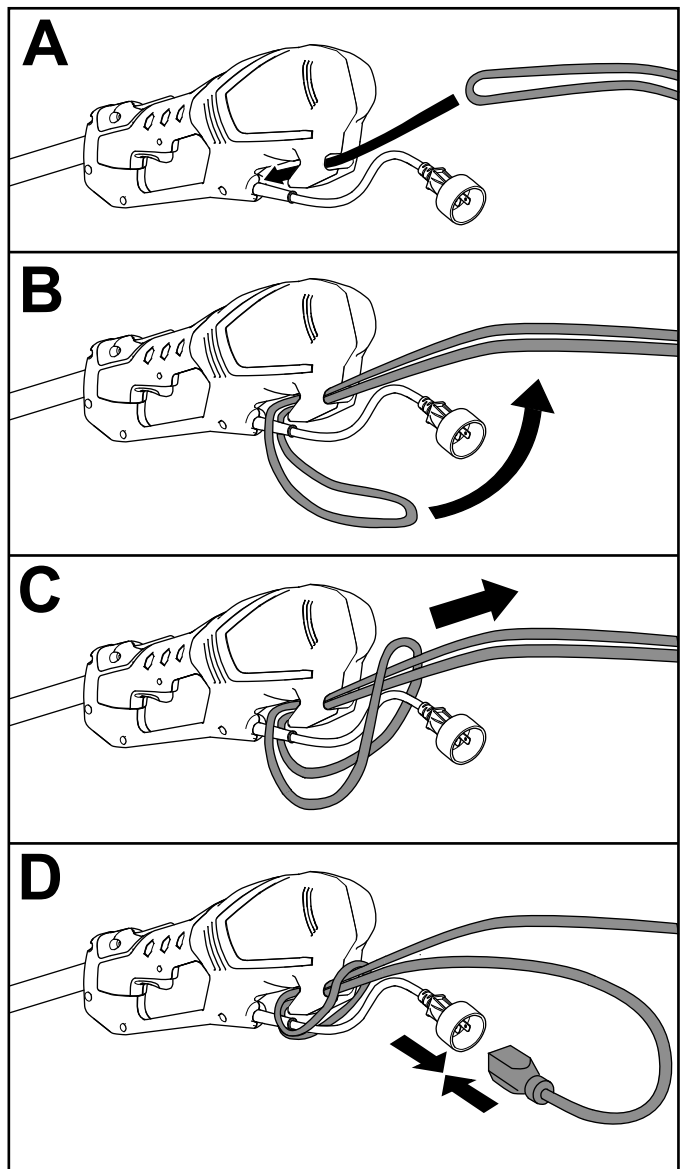


Figure 4

g331044

# Starting the Trimmer

To start the trimmer, press down on the lock-out button, then squeeze the trigger (Figure 5).

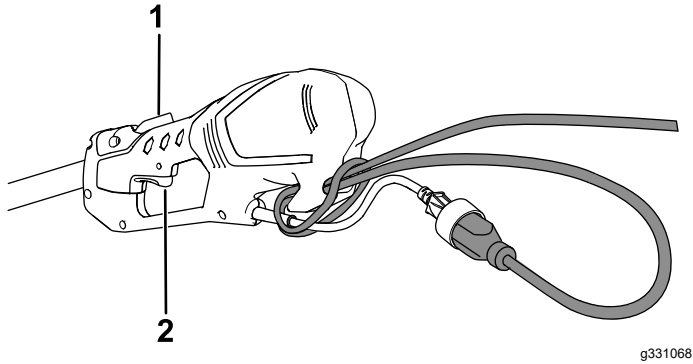


Figure 5

g331068

1. Lock-out button
2. Trigger

# Shutting Off the Trimmer

To shut off the trimmer, release the trigger and the lock-out button.

# Advancing the Line Using the Bump Feed

1. Run the trimmer at full throttle.
2. Tap the bump knob on the ground to advance the line. The line advances each time the bump knob is tapped. Do not hold the bump knob on the ground.

**Note:** The line trimming cut-off blade on the grass deflector cuts the line to the correct length.

**Note:** If the line is worn too short, you may not be able to advance the line by tapping it on the ground. If so, release both triggers and refer to [Replacing the String \(page 10\)](#).

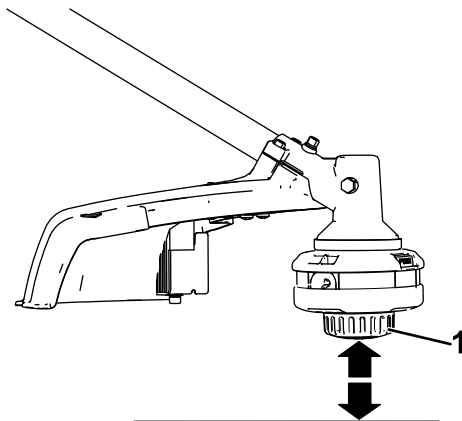


Figure 6

g331007

1. Bump knob

# Advancing the Line Manually

Disconnect the string trimmer from the power supply, then push the bump knob at the base of the spool retainer while pulling on the trimmer line to manually advance the line.

# Operating Tips

- Keep the trimmer tilted toward the area being cut; this is the best cutting area.
- The string trimmer cuts when you move it from right to left. This prevents the trimmer from throwing debris at you.
- Use the tip of the string to do the cutting; do not force the string head into uncut grass.
- Wire and picket fences can cause the string to wear rapidly and even break. Stone and brick walls, curbs, and wood can also cause the string to wear rapidly.
- Avoid trees and shrubs. The string can easily damage tree bark, wood moldings, siding, and fence posts.

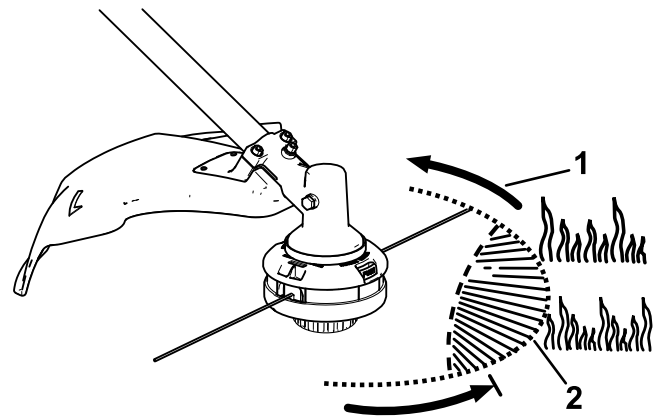


Figure 7

g330996

1. Direction of rotation
2. String path

# Maintenance

After each use of the trimmer, complete the following:

1. Disconnect the trimmer from the power source.
2. Wipe the trimmer clean with a damp cloth. Do not hose the trimmer down or submerge it in water.
3. Wipe or scrape clean any debris from the cutting-head area.
4. Check and tighten all fasteners. If any part is damaged or lost, repair or replace it.
5. Brush debris away from the air intake vents on the motor housing to prevent the motor from overheating.

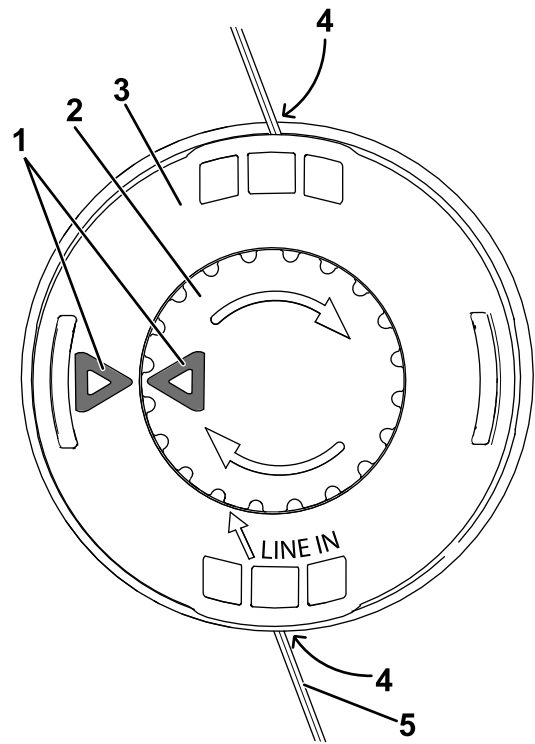
## Replacing the String

**Important:** Use only 2 mm (0.080 in) diameter monofilament string (Part No. 88611).

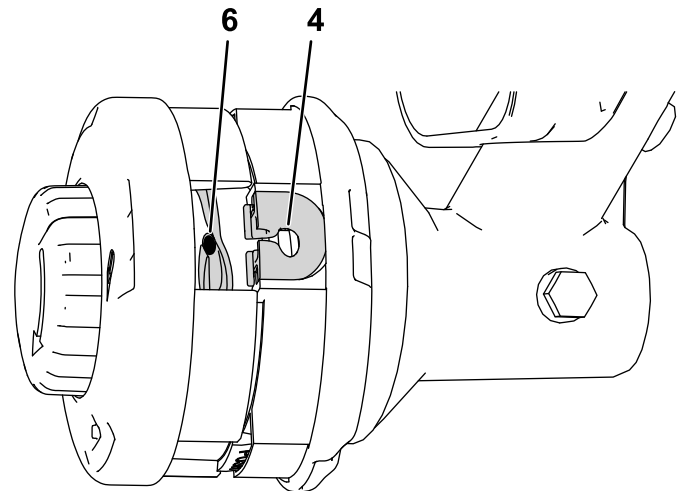
1. Disconnect the trimmer from the power source and clean any debris from the trimmer head.
2. Remove any old string on the spool by repetitively pressing the bump button while pulling the line out equally from both sides of the trimmer.
3. Cut a piece of 2 mm (0.080 inch) string to approximately 3.9 m (13.0 ft).

**Important:** Do not use any other gauge or type of string, and do not exceed 3.9 m (13.0 ft) of string, as this could damage the trimmer.

4. Press and turn the knob on the string head until arrow on the knob aligns with arrow on the string head (Figure 8).
5. Insert 1 end of the line at an angle into the LINE IN eyelet and push the line through the string head track until it comes out through the eyelet on the other side. Pull the line through the string head until the line outside the string head is evenly divided on each side.



g330983



g330985

**Figure 8**

Disassembled view shown for clarity

- |                |           |
|----------------|-----------|
| 1. Arrows      | 4. Eyelet |
| 2. Knob        | 5. String |
| 3. String head | 6. Track  |

**Important:** Do not disassemble the trimmer head.

6. Hold the string head in place with one hand. With your other hand, rotate the bump knob in the direction shown by the arrows (clockwise).
7. Wind the line, leaving about 130 mm (5 inches) extending beyond the eyelet on each side.

# Service

Toro has designed this product to give you years of trouble-free use. Should it need service, bring the product to your Authorized Service Dealer.

# Storage

Store the trimmer and the extension cord indoors in a cool, dry location and out of the reach of children and animals.

***Important:*** Do not rest the trimmer on the guard, or it may warp and interfere with the cutting line.

**Note:** Devices for retaining extension cords are commercially available.

# California Proposition 65 Warning Information

## What is this warning?

You may see a product for sale that has a warning label like the following:



**WARNING: Cancer and Reproductive Harm—[www.p65Warnings.ca.gov](http://www.p65Warnings.ca.gov).**

## What is Prop 65?

Prop 65 applies to any company operating in California, selling products in California, or manufacturing products that may be sold in or brought into California. It mandates that the Governor of California maintain and publish a list of chemicals known to cause cancer, birth defects, and/or other reproductive harm. The list, which is updated annually, includes hundreds of chemicals found in many everyday items. The purpose of Prop 65 is to inform the public about exposure to these chemicals.

Prop 65 does not ban the sale of products containing these chemicals but instead requires warnings on any product, product packaging, or literature with the product. Moreover, a Prop 65 warning does not mean that a product is in violation of any product safety standards or requirements. In fact, the California government has clarified that a Prop 65 warning "is not the same as a regulatory decision that a product is 'safe' or 'unsafe.'" Many of these chemicals have been used in everyday products for years without documented harm. For more information, go to <https://oag.ca.gov/prop65/faqs-view-all>.

A Prop 65 warning means that a company has either (1) evaluated the exposure and has concluded that it exceeds the "no significant risk level"; or (2) has chosen to provide a warning based on its understanding about the presence of a listed chemical without attempting to evaluate the exposure.

## Does this law apply everywhere?

Prop 65 warnings are required under California law only. These warnings are seen throughout California in a wide range of settings, including but not limited to restaurants, grocery stores, hotels, schools, and hospitals, and on a wide variety of products. Additionally, some online and mail order retailers provide Prop 65 warnings on their websites or in catalogs.

## How do the California warnings compare to federal limits?

Prop 65 standards are often more stringent than federal and international standards. There are various substances that require a Prop 65 warning at levels that are far lower than federal action limits. For example, the Prop 65 standard for warnings for lead is 0.5 µg/day, which is well below the federal and international standards.

## Why don't all similar products carry the warning?

- Products sold in California require Prop 65 labelling while similar products sold elsewhere do not.
- A company involved in a Prop 65 lawsuit reaching a settlement may be required to use Prop 65 warnings for its products, but other companies making similar products may have no such requirement.
- The enforcement of Prop 65 is inconsistent.
- Companies may elect not to provide warnings because they conclude that they are not required to do so under Prop 65; a lack of warnings for a product does not mean that the product is free of listed chemicals at similar levels.

## Why does the manufacturer include this warning?

the manufacturer has chosen to provide consumers with as much information as possible so that they can make informed decisions about the products they buy and use. the manufacturer provides warnings in certain cases based on its knowledge of the presence of one or more listed chemicals without evaluating the level of exposure, as not all the listed chemicals provide exposure limit requirements. While the exposure from the manufacturer products may be negligible or well within the "no significant risk" range, out of an abundance of caution, the manufacturer has elected to provide the Prop 65 warnings. Moreover, if the manufacturer does not provide these warnings, it could be sued by the State of California or by private parties seeking to enforce Prop 65 and subject to substantial penalties.