



Count on it.

Parts Catalog

GrandStand® Mower

**With 122cm Rear Discharge TURBO FORCE®
Cutting Unit**

Model No. 74542TE—Serial No. 40000000 and Up



Ordering Replacement Parts

To order replacement parts, please supply the part number, the quantity, and the description of each part desired.

Understanding Reference Numbers

Each identified part in an illustration has a reference number. The reference number for a part also appears in the parts list, along with other information about the part.

This catalog uses two special reference number formats, one to indicate parts in a service assembly and another to indicate the quantity of a given part in an illustration.

Service Assembly Reference Numbers

Parts in service assemblies have reference numbers in the form a:b. The a represents the reference number of the entire service assembly and the b represents a sequential number unique to each part within the service assembly.

For example, a wheel assembly might be identified by reference number 6, the tire by 6:1, the valve by 6:2, and the wheel by 6:3. When you order the assembly identified by reference number 6, you receive all parts identified by reference numbers 6:1, 6:2, and 6:3. However, you may also order any part individually. Reference numbers of this type appear in illustration and in parts lists.

Reference Numbers Indicating Quantity

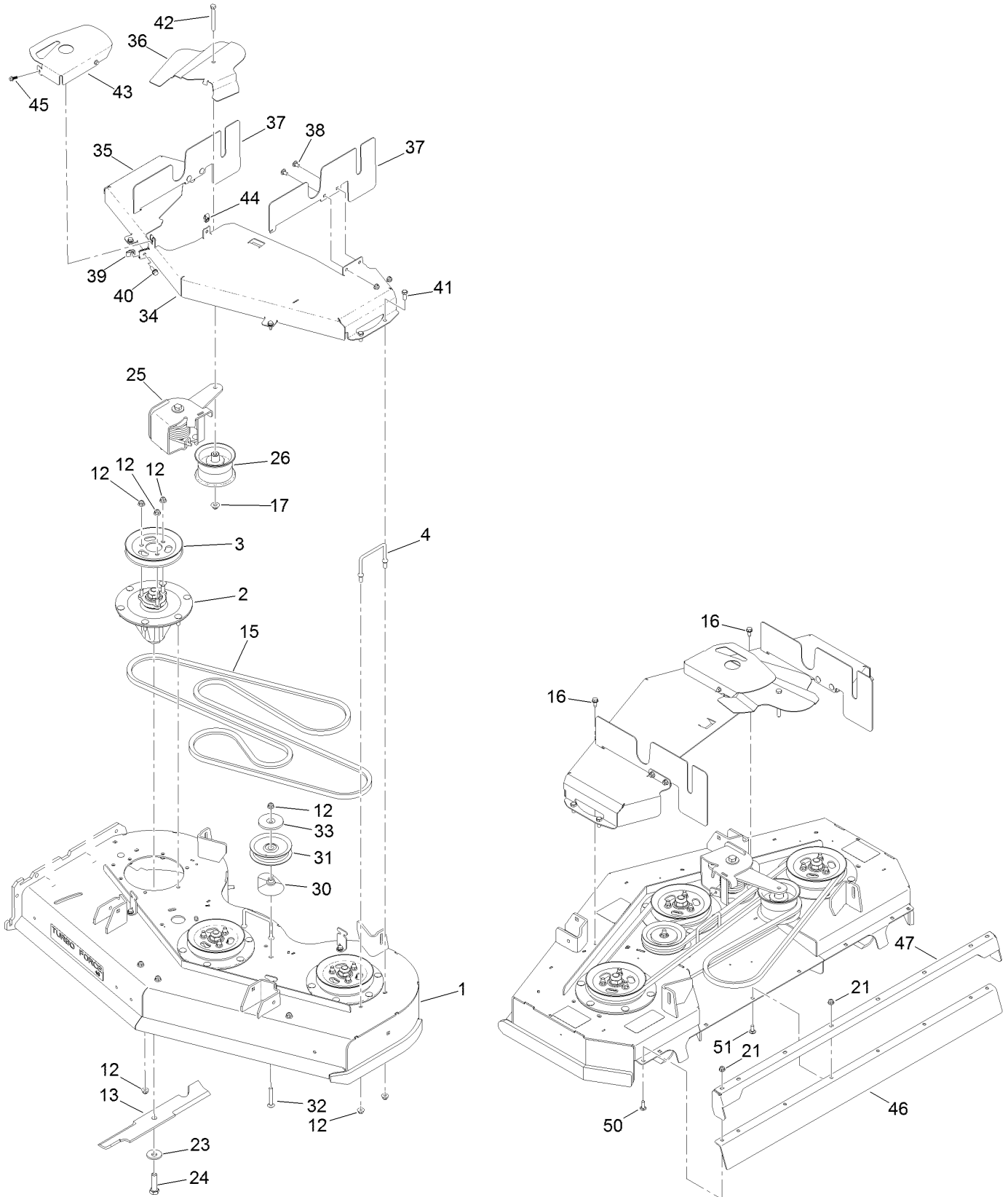
In an illustration, if a reference number indicates more than one part, the reference number has the form nX y. The n represents the quantity of the part, the X is the multiplication symbol, and the y represents the reference number.

For example, in an illustration, the reference number 2X 37 means that two of the parts identified by reference number 37 are indicated.

Contents

Deck Assembly	4
Deck Decal Assembly No. 134-3658	6
Spindle Assembly No. 127-0560	8
Ground Drive Assembly	10
Motion Control Assembly	12
Control Handle Assembly No. 132-5157	14
Control Handle Assembly No. 132-5158	16
Parking Brake Assembly	18
Deck Lift Assembly	20
HOC Lever Assembly No. 130-1755	22
Frame Assembly	24
Wheel, Tire and Bearing Assembly No. 130-4558	26
Platform Assembly	28
Engine Assembly	30
Fuel Tank Assembly	32
Wire Harness Assembly	34
Attachments and Accessories	36

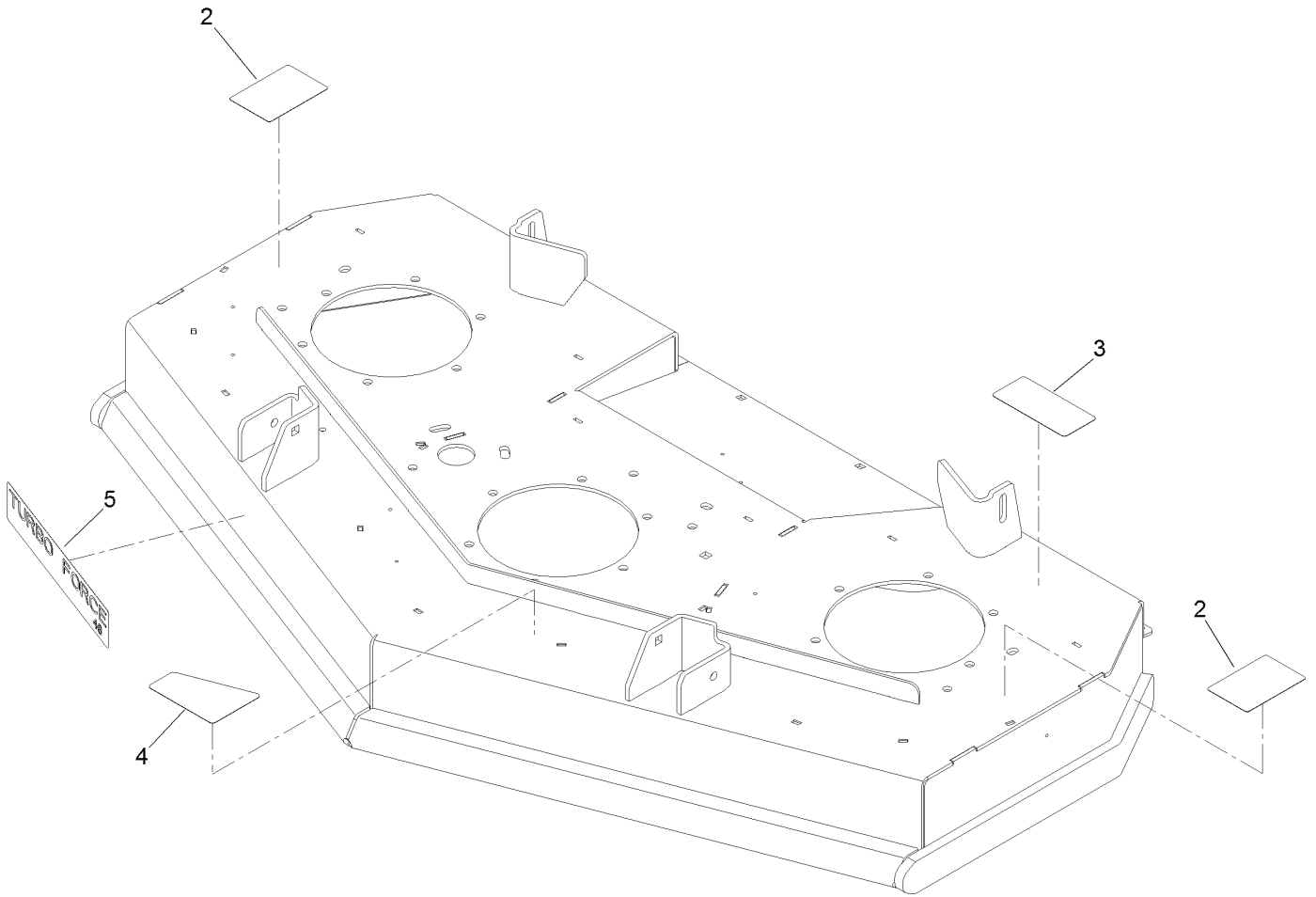
Deck Assembly



Deck Assembly (continued)

<i>Ref.</i>	<i>Part Number</i>	<i>Qty.</i>	<i>Description</i>	<i>Ref.</i>	<i>Part Number</i>	<i>Qty.</i>	<i>Description</i>
1	134-3658	1	Deck And Decal ASM	33	132-5154	1	Shield-Dust
2	127-0560	3	Spindle ASM	34	136-7422-01	1	Cover-Belt, LH (CE)
3	120-6433	3	Pulley	35	136-7423-01	1	Cover-Belt, RH (CE)
4	109-6982	1	Wireform-Cover	36	136-7421-01	1	Cover-Idler, CE
12	104-8301	37	Nut-HF, NI	37	133-4642-01	2	Cover-Side, LH (CE)
13	107-3195-03	3	Blade-Rotary, 16.5 Inch (Atomic)	38	3230-18	4	Screw-CARR
15	131-1121	1	Belt-V	39	94-2413	1	Nut-U
16	32144-70	2	Screw-HWHTF	40	3234-29	1	Screw-HHF
17	109-6658	1	Nut-Flange, NI	41	323-5	4	Screw-HH
21	104-8300	12	Nut-HF, NI	42	323-20	1	Screw-HH
23	103-0865	3	Washer-Blade Bolt, Heavy	43	136-7424-01	1	Cover-Idler, CE
24	51-4060	3	Screw-Blade	44	107069	2	Clip
25	136-7395	1	Idler Torsion ASM	45	99-6810	2	Screw-HHF
26	127-1971	1	Pulley-Idler	46	134-2542	1	Deflector
30	109-2872	1	Spacer-Pulley	47	134-3728-01	1	Bracket-Deflector
31	132-4718	1	Pulley-Idler, Flat	50	3230-22	4	Screw-CARR
32	3231-44	1	Screw-CARR	51	3230-10	4	Bolt-CARR

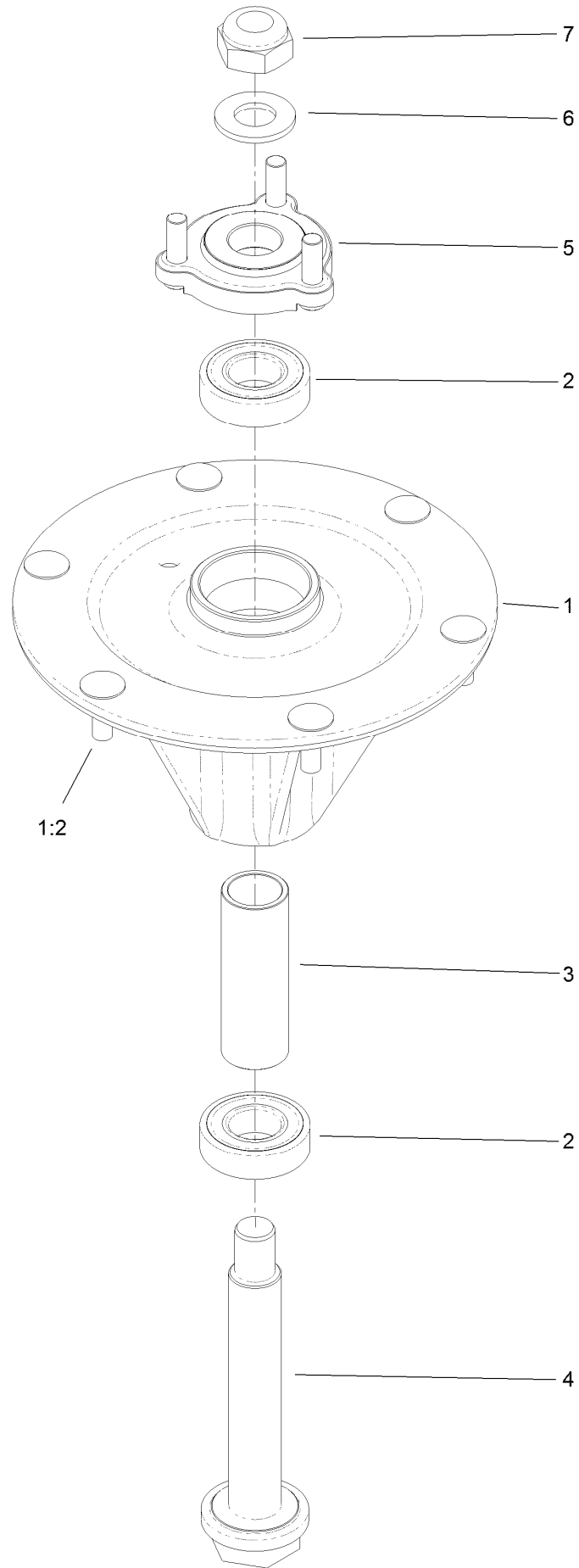
Deck Decal Assembly No. 134-3658



Deck Decal Assembly No. 134-3658 (continued)

<i>Ref.</i>	<i>Part Number</i>	<i>Qty.</i>	<i>Description</i>	<i>Ref.</i>	<i>Part Number</i>	<i>Qty.</i>	<i>Description</i>
2	139-5557	2	Decal-Danger, CE	4	131-3507	1	Decal-Belt, Tension (CE)
3	93-7818	1	Decal-Torque, Blade Bolt	5	107-1690	1	Decal

Spindle Assembly No. 127-0560

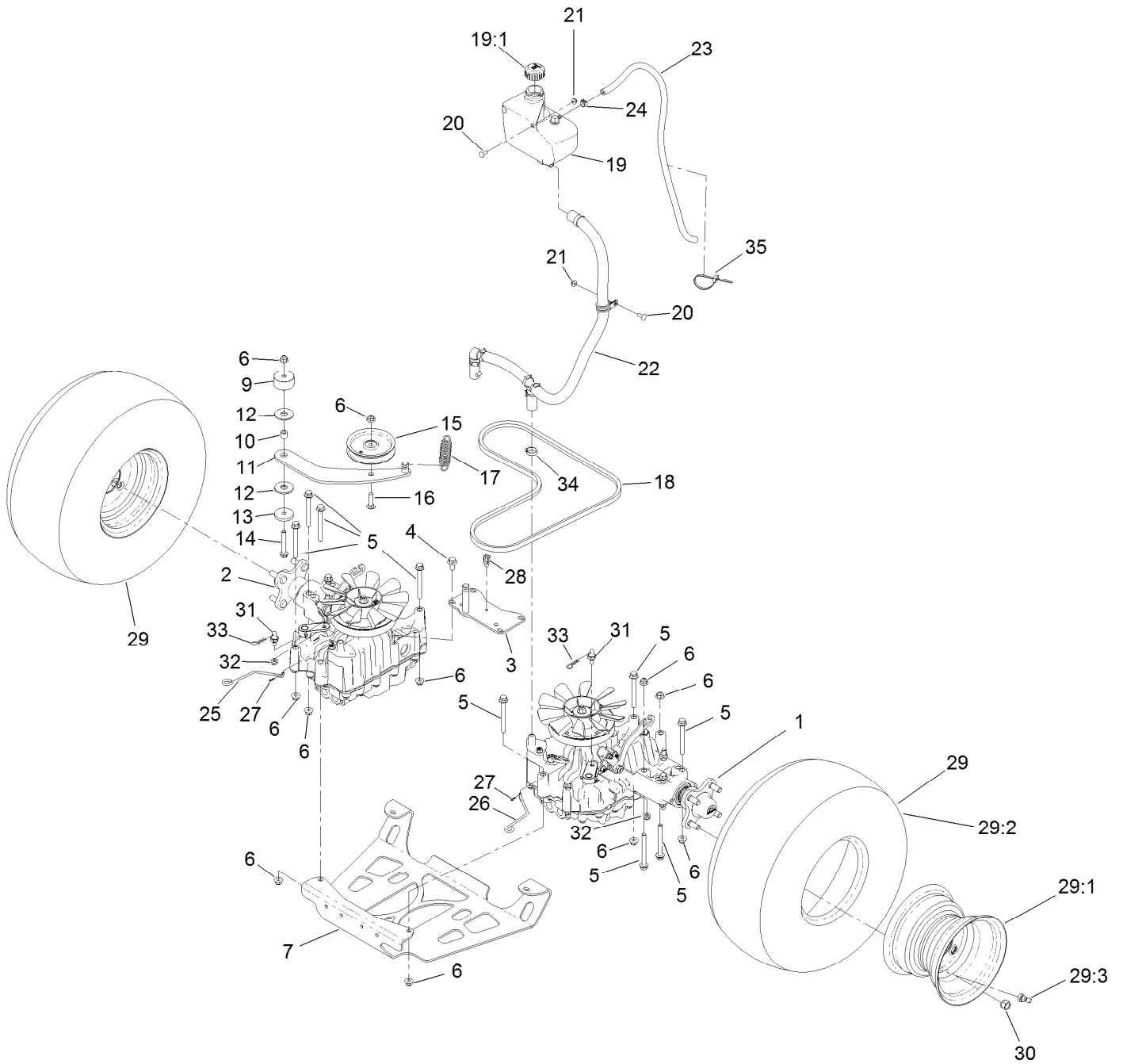


Spindle Assembly No. 127-0560 (continued)

<i>Ref.</i>	<i>Part Number</i>	<i>Qty.</i>	<i>Description</i>	<i>Ref.</i>	<i>Part Number</i>	<i>Qty.</i>	<i>Description</i>
1		1	Spindle Housing ASM W/Studs ●	4	127-0556	1	Shaft-Spindle, Ball Bearing
1:2	114-8195	6	Bolt-Neck, Ribbed	5	127-0557	1	Hub-Spindle (W/Studs)
2	116-0720	2	Bearing-Ball	6	92-5836	1	Washer
3	127-0554	1	Spacer-Bearing	7	3296-67	1	Nut-Lock, NI

● Not serviced separately

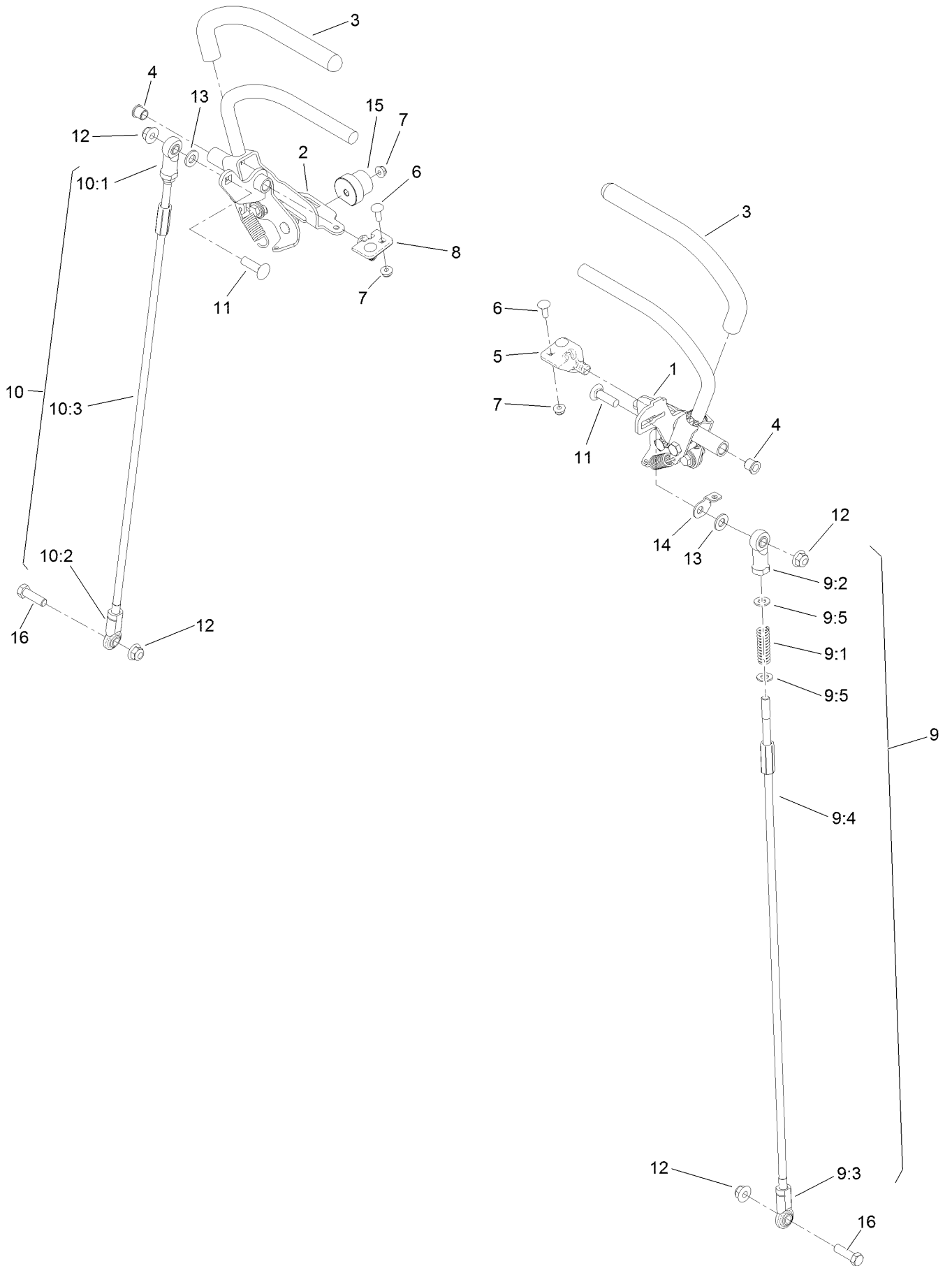
Ground Drive Assembly



Ground Drive Assembly (continued)

<i>Ref.</i>	<i>Part Number</i>	<i>Qty.</i>	<i>Description</i>	<i>Ref.</i>	<i>Part Number</i>	<i>Qty.</i>	<i>Description</i>
1	138-5838	1	LH Transmission ASM	20	3229-25	3	Screw-CARR
2	138-5839	1	RH Transmission ASM	21	104-7201	3	Nut-HF
3	131-1131-03	1	Support-Transaxle	22	131-7427	1	HYD Hose ASM
4	93-2569	4	Screw-HHF	23	109-0309	1	Hose-Fuel
5	116-4701	16	Screw-HHF	24	92-2379	1	Clamp-Hose
6	104-8301	18	Nut-HF, NI	25	131-7469	1	Rod-Bypass, RH
7	138-1108-03	1	Plate-Skid	26	131-7470	1	Rod-Bypass, LH
9	117-5351	1	Spacer	27	108-2992	2	Pin-Hair
10	1-413088	1	Bushing-Lever, Lift	28	32180-030	1	Clip-Tie
11	131-1175	1	Arm-Idler	29	132-7574	2	Wheel And Tire ASM
12	114-0463	2	Washer-Friction, Composite	29:1	133-1414	1	Rim-8 Inch, Gray
13	110-9981	1	Washer-Plain	29:2	133-1417	1	Tire
14	3234-39	1	Screw-HHF	29:3	232-27	1	Stem-Valve
15	93-1622	1	Pulley-Idler	30	242-50	8	Nut-Lug
16	3231-4	1	Screw-CARR	31	132-7584	2	Spacer-Hex
17	138-1104	1	Spring-Extension	32	104-8300	2	Nut-HF, NI
18	131-1124	1	Belt-V	33	3290-250	2	Pin-Cotter
19	132-1135	1	Tank-HYD	34	2412-141	2	Clamp-Drive, Worm
19:1	133-8677	1	Cap-Vented	35	3290-378	1	Tie-Cable

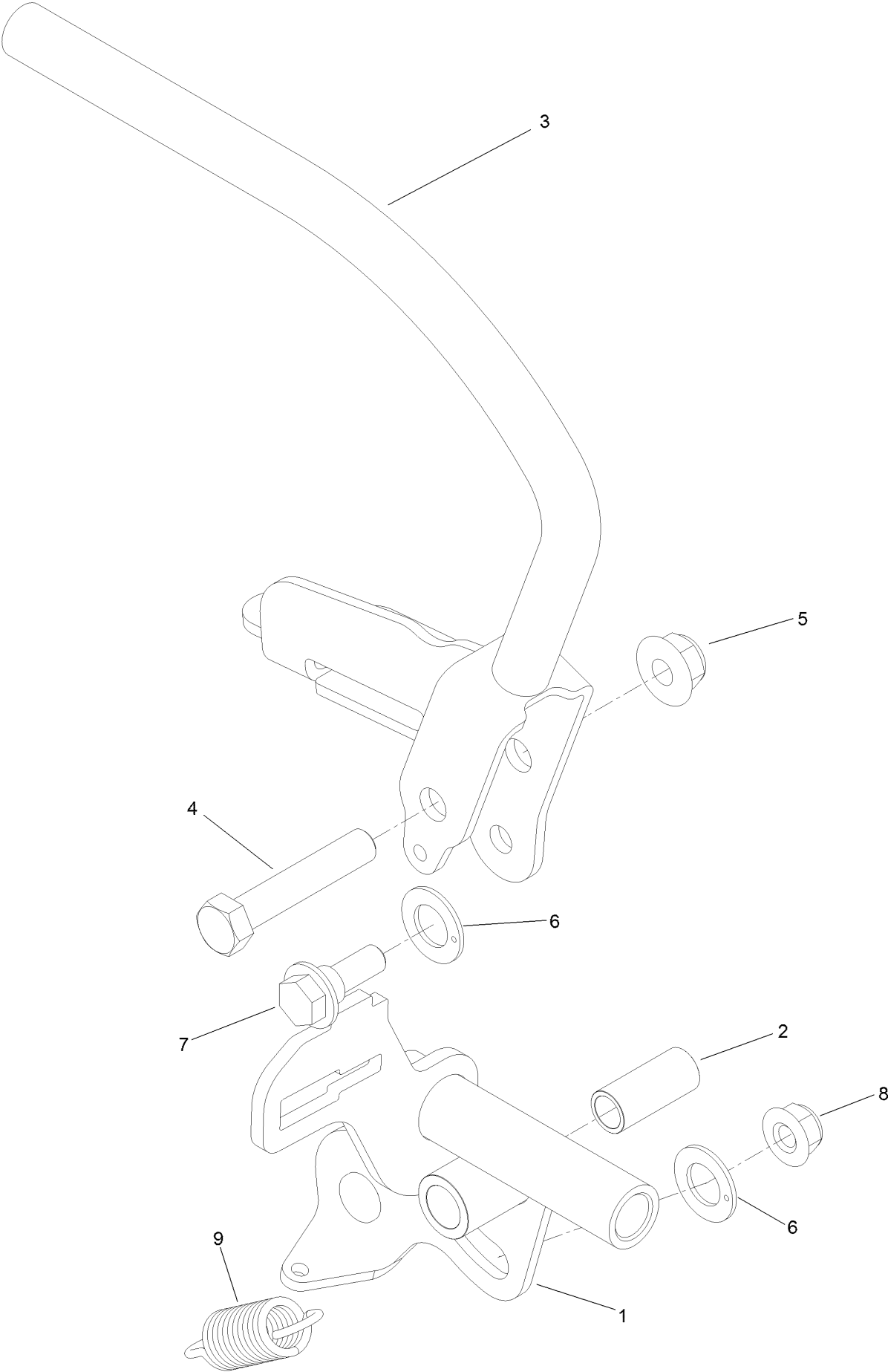
Motion Control Assembly



Motion Control Assembly (continued)

<i>Ref.</i>	<i>Part Number</i>	<i>Qty.</i>	<i>Description</i>	<i>Ref.</i>	<i>Part Number</i>	<i>Qty.</i>	<i>Description</i>
1	132-5157	1	LH Control Handle ASM	9:4	132-7515	1	Rod-Control
2	132-5158	1	RH Control Handle ASM	9:5	3256-45	2	Washer-Flat
3	119-0222	2	Grip	10	130-1807	1	RH Control Rod ASM
4	103-9928	2	Bearing	10:1	92-7008	1	End-Rod, Female
5	120-3288	1	Tab-Pivot, LH	10:2	103-1167	1	Joint-Ball End, LH
6	3229-1	4	Screw-CARR	10:3	132-7515	1	Rod-Control
7	104-7201	6	Nut-HF	11	3231-28	2	Screw-CARR
8	120-3287	1	Tab-Pivot, RH	12	104-8301	4	Nut-HF, NI
9	130-1803	1	LH Control Rod ASM	13	3256-24	2	Washer-Flat
9:1	1-603807	1	Spring-Return, Neutral	14	132-7538	1	Bracket-Adjustment, Speed
9:2	92-7008	1	End-Rod, Female	15	126-1499	2	Cam
9:3	103-1167	1	Joint-Ball End, LH	16	323-7	2	Screw-HH

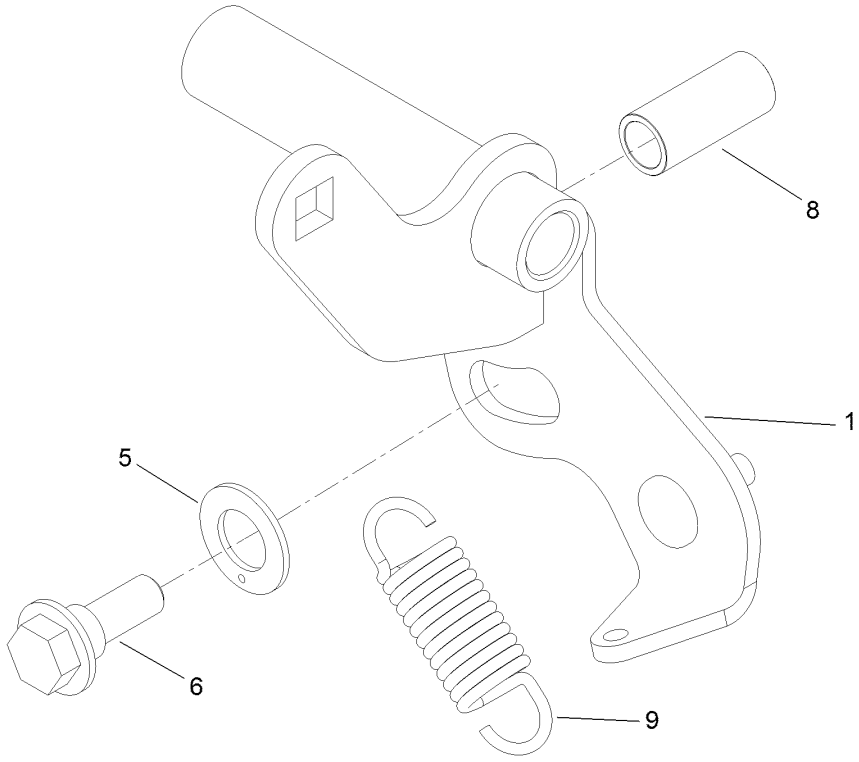
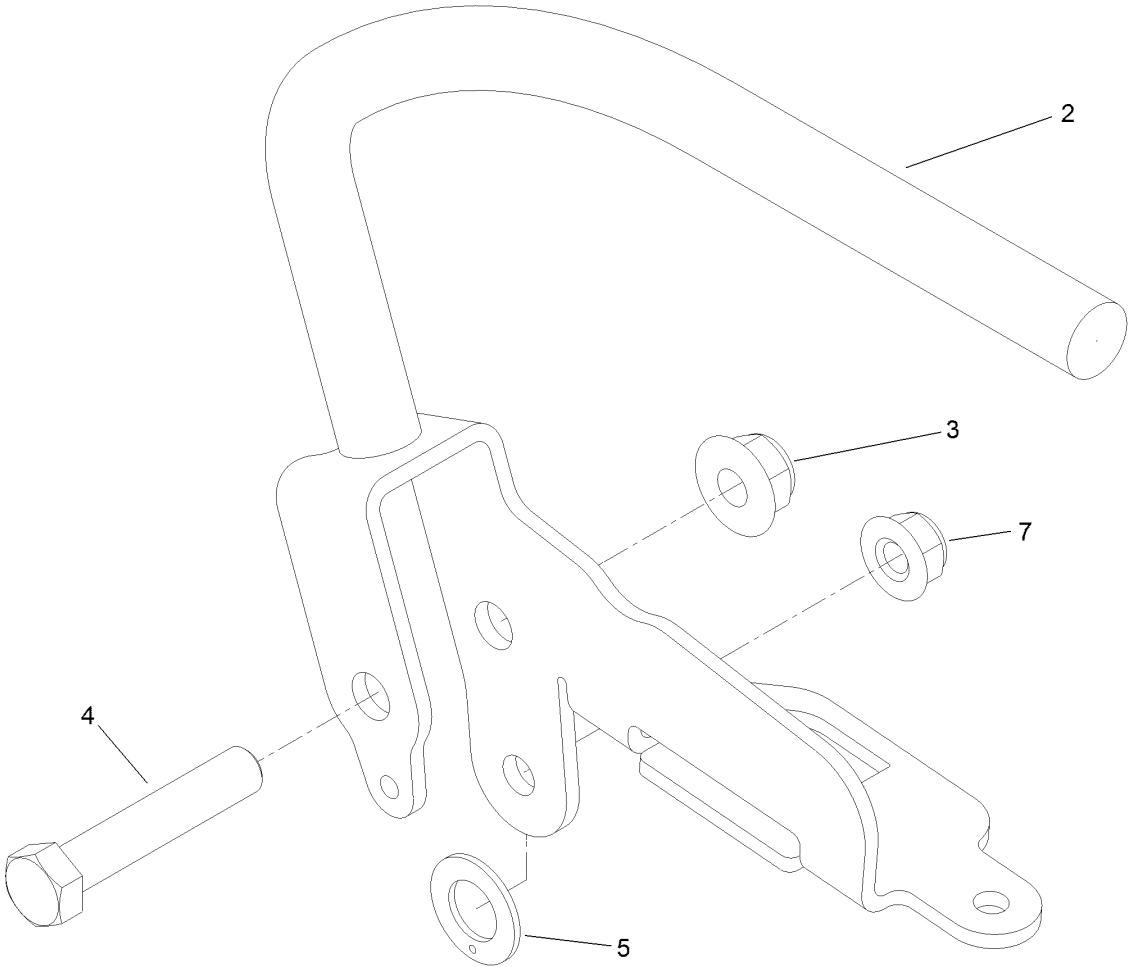
Control Handle Assembly No. 132-5157



Control Handle Assembly No. 132-5157 (continued)

<i>Ref.</i>	<i>Part Number</i>	<i>Qty.</i>	<i>Description</i>	<i>Ref.</i>	<i>Part Number</i>	<i>Qty.</i>	<i>Description</i>
1	132-5115	1	Pivot-Control, Motion (LH)	6	110-7191	2	Washer-Thrust
2	131-3562	1	Bearing-Sleeve	7	116-2670	1	Screw-Shoulder
3	132-5114-03	1	Lever-LH	8	104-8300	1	Nut-HF, NI
4	323-10	1	Screw-HH	9	132-5146	1	Spring-Extension
5	104-8301	1	Nut-HF, NI				

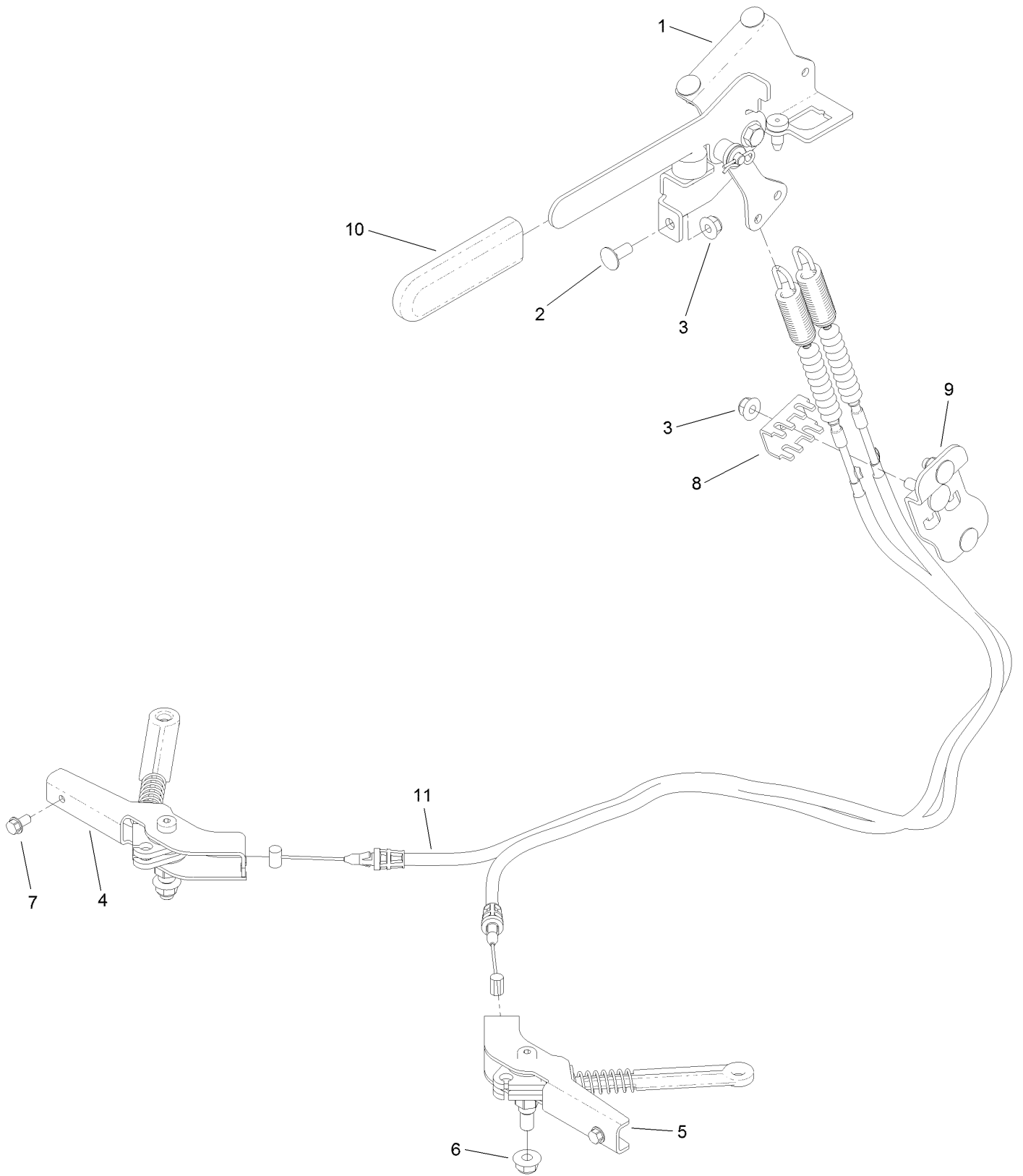
Control Handle Assembly No. 132-5158



Control Handle Assembly No. 132-5158 (continued)

<i>Ref.</i>	<i>Part Number</i>	<i>Qty.</i>	<i>Description</i>	<i>Ref.</i>	<i>Part Number</i>	<i>Qty.</i>	<i>Description</i>
1	120-8490	1	Pivot-Control, Motion (RH)	6	116-2670	1	Screw-Shoulder
2	130-1825-03	1	Lever-RH	7	104-8300	1	Nut-HF, NI
3	104-8301	1	Nut-HF, NI	8	131-3562	1	Bearing-Sleeve
4	323-10	1	Screw-HH	9	132-5146	1	Spring-Extension
5	110-7191	2	Washer-Thrust				

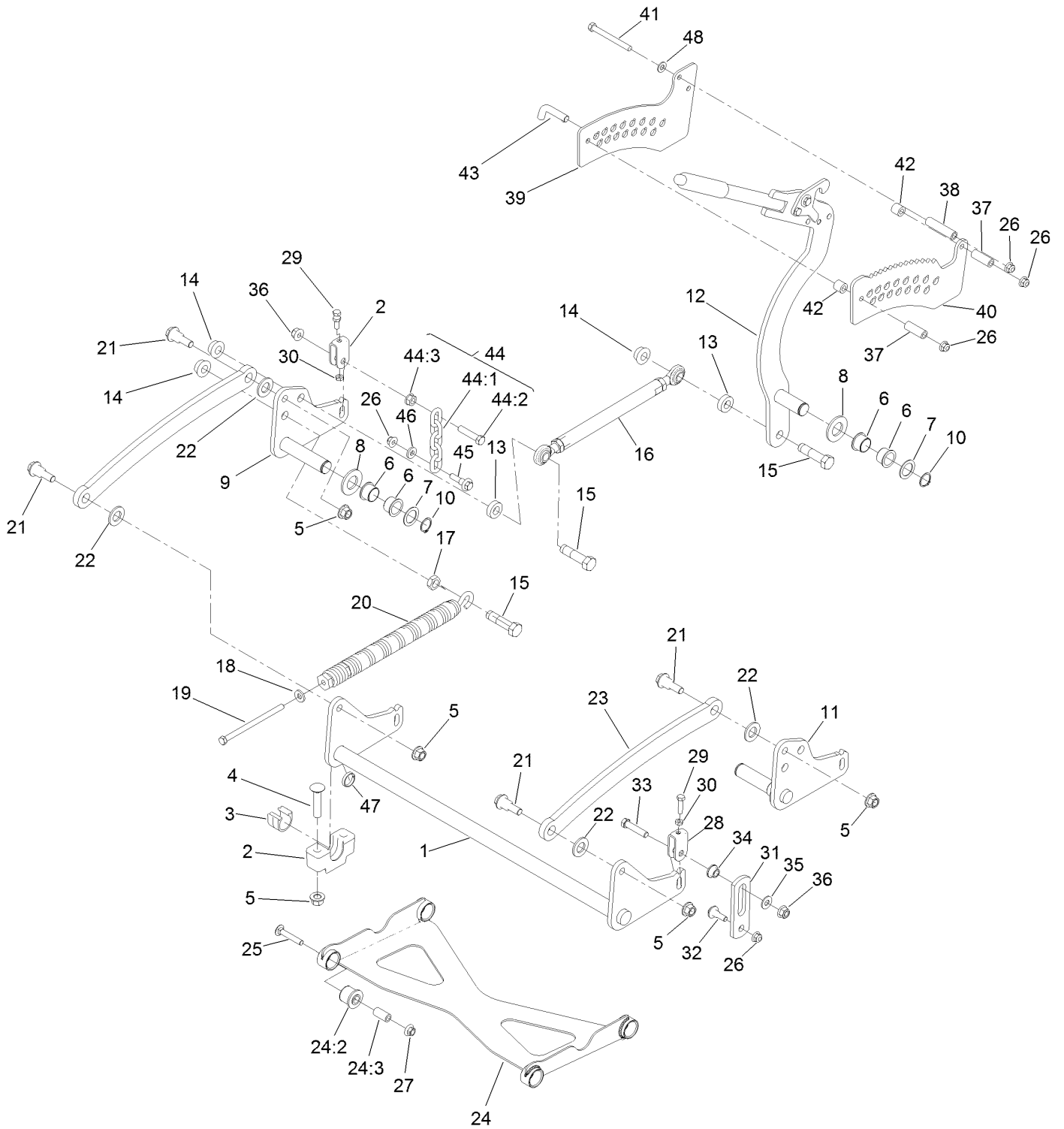
Parking Brake Assembly



Parking Brake Assembly (continued)

<i>Ref.</i>	<i>Part Number</i>	<i>Qty.</i>	<i>Description</i>	<i>Ref.</i>	<i>Part Number</i>	<i>Qty.</i>	<i>Description</i>
1	132-5170	1	Brake Handle ASM	7	32144-4	2	Screw-HWH
2	3230-23	5	Bolt-CARR	8	132-1187	1	Clamp-Cable
3	104-8300	6	Nut-HF, NI	9	132-7582	1	Mount-Cable, Brake
4	132-5168	1	RH Brake Caliper ASM	10	1-633268	1	Grip-Lever
5	132-5169	1	LH Brake Caliper ASM	11	131-1195	2	Cable-Brake
6	104-8301	2	Nut-HF, NI				

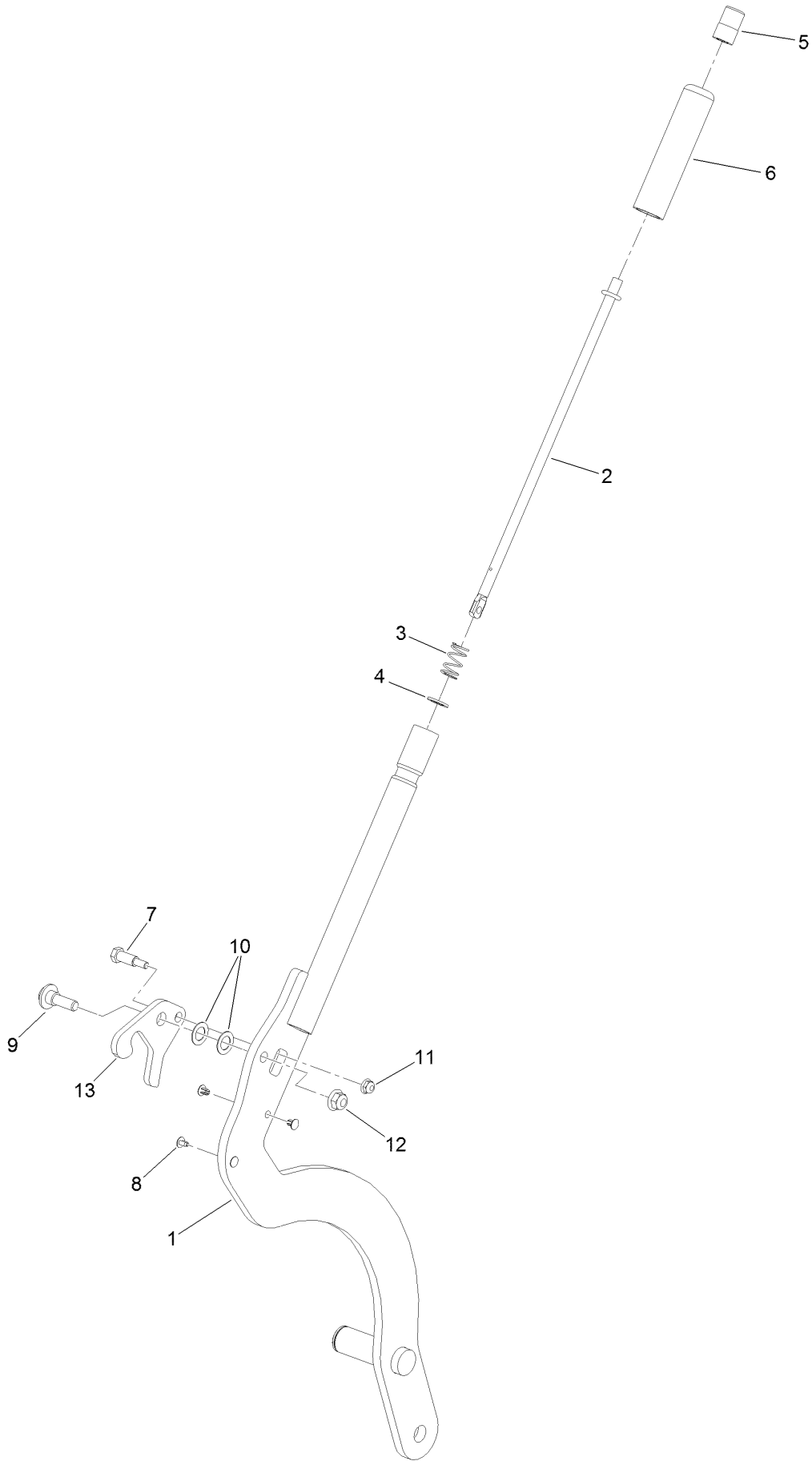
Deck Lift Assembly



Deck Lift Assembly (continued)

<i>Ref.</i>	<i>Part Number</i>	<i>Qty.</i>	<i>Description</i>	<i>Ref.</i>	<i>Part Number</i>	<i>Qty.</i>	<i>Description</i>
1	120-8405-01	1	Shaft-Cross, Front	25	3231-7	4	Screw-CARR
2	109-9409	2	Support-Bearing, Cross Shaft (Front)	26	104-8301	7	Nut-HF, NI
3	109-9410	2	Bearing-Cross Shaft, Front	27	32128-19	4	Nut-HF Lock, Large Flg
4	116-1700	4	Bolt-CARR	28	109-9066	4	Yoke-Adjust, Deck
5	99-5107	8	Nut-Lock	29	322-47	4	Screw-HH
6	127-0369	6	Bushing	30	3218-2	8	Nut-Jam
7	10-8110	3	Washer-Thrust	31	130-6589	2	Link-Lift
8	3256-62	3	Washer-Flat	32	109-9840	2	Screw-Shoulder, HHF
9	120-8411-01	1	Arm-Lift, RH	33	109-9065	2	Screw-HH
10	32151-29	3	Ring-Retaining	34	116-2428	2	Bushing-Flanged
11	120-8410-01	1	Arm-Lift, LH	35	3256-4	2	Washer-Flat
12	130-1755	1	HOC Lever ASM	36	114-8417	4	Nut-HF, NI
13	119-6223	2	Washer	37	95-6448	2	Spacer
14	138-4932	3	Nut-Hex Flg	38	138-1111	1	Spacer
15	138-4931	3	Screw-Lock	39	132-7581	1	HOC Plate And Decal ASM
16	130-6615	1	HOC Link ASM	40	138-4887	1	Plate-HOC, Inner
17	3218-6	1	Nut-Jam	41	323-42	3	Screw-HH
18	98-5975	1	Washer-Belleville	42	121-1760	2	Spacer
19	323-58	1	Bolt-TAP, HH	43	116-5584	1	Pin-HOC
20	116-0886	1	Spring-Extension	44	116-0756	2	Deck Lift Chain ASM
21	116-0780	4	Screw-Shoulder, HHF	44:1	1-633447	1	Chain-Lift, Deck
22	3256-28	4	Washer-Flat	44:2	109-9065	1	Screw-HH
23	127-1948-03	2	Link-Lift	44:3	32128-37	1	Nut-HF
24	137-4129	1	Deck Strut ASM	45	130-0742	2	Bolt-Shoulder
24:2	137-4108	4	Bushing-Rubber	46	43-0940	2	Spacer
24:3	108-6544	4	Spacer	47	133-1431	1	Spacer-Split
				48	3256-24	3	Washer-Flat

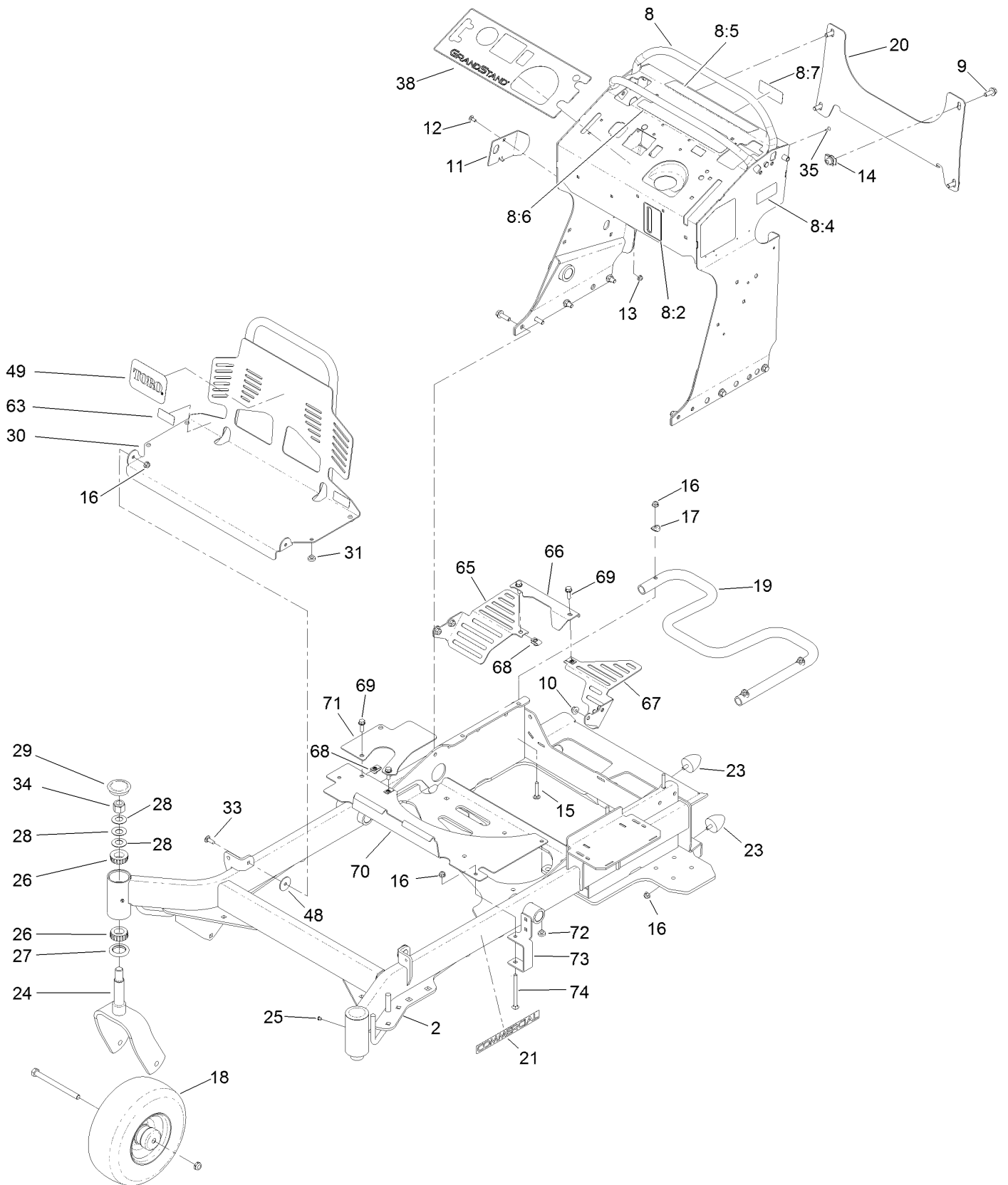
HOC Lever Assembly No. 130-1755



HOC Lever Assembly No. 130-1755 (continued)

<i>Ref.</i>	<i>Part Number</i>	<i>Qty.</i>	<i>Description</i>	<i>Ref.</i>	<i>Part Number</i>	<i>Qty.</i>	<i>Description</i>
1	130-1775-01	1	Lever-Lift	8	103-1363	4	Rivet
2	136-0530	1	Rod-Latch, Release	9	614672	1	Screw-Shoulder, HWH
3	114-8187	1	Spring-Compression	10	98-1629	2	Washer
4	114-1207	1	Washer-Special	11	104-7201	1	Nut-HF
5	115-2750	1	Knob	12	104-8301	1	Nut-HF, NI
6	115-3592	1	Grip	13	138-4888	1	Latch-HOC
7	119-2309	1	Bolt-Shoulder				

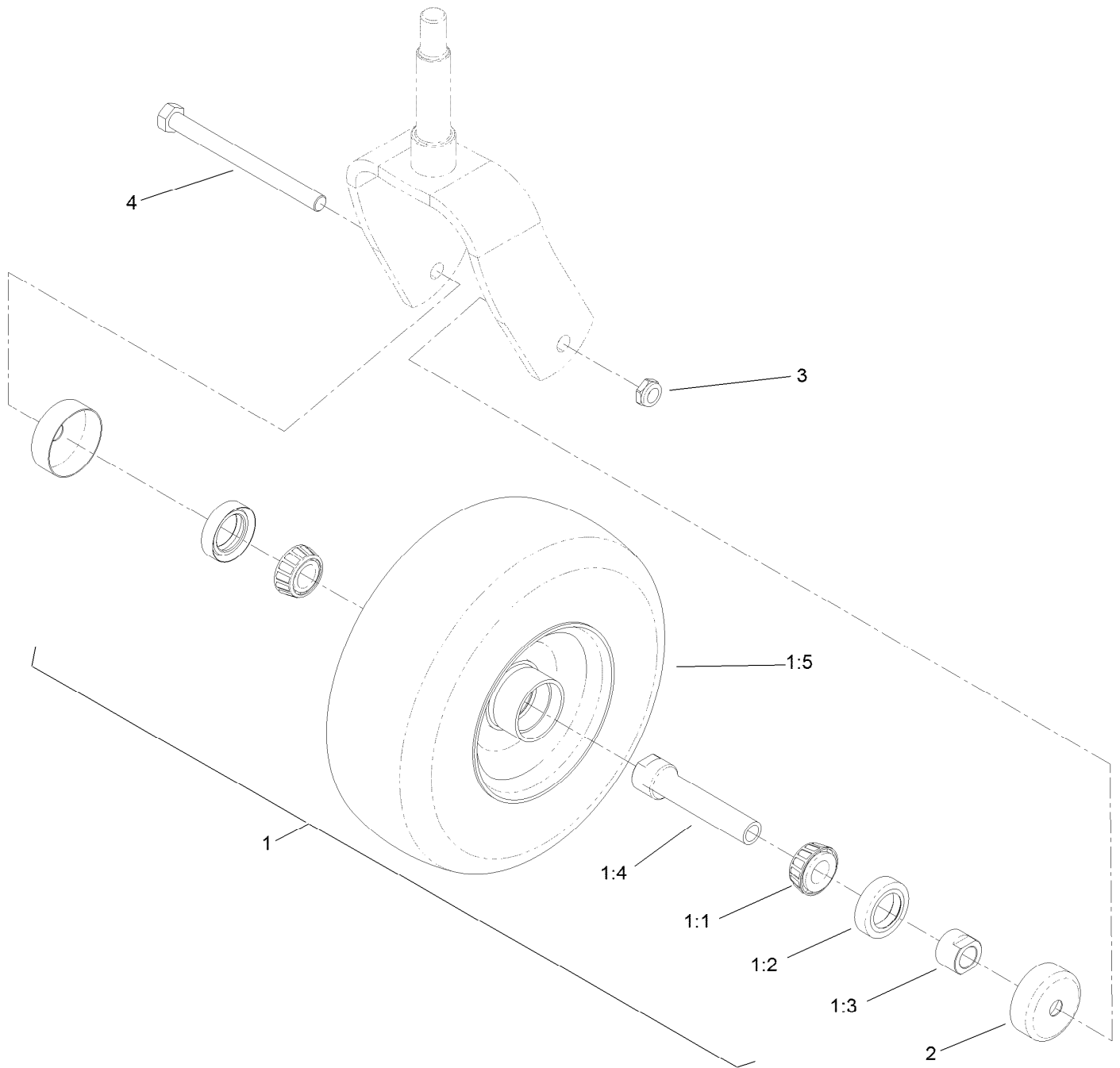
Frame Assembly



Frame Assembly (continued)

<i>Ref.</i>	<i>Part Number</i>	<i>Qty.</i>	<i>Description</i>	<i>Ref.</i>	<i>Part Number</i>	<i>Qty.</i>	<i>Description</i>
2	131-7423-01	1	Frame	26	1-543509	4	Bearing-Roller, Tapered
8	134-3909	1	Tower ASM	27	116-5647	2	Seal-Grease
8:2	131-3524	1	Decal-Level, Oil	28	1-633508	6	Washer-Bellville
8:4	116-8775	1	Decal-Fill, Fuel	29	103-4882	2	Cap-Grease
8:5	139-5556	1	Decal-Warning	30	132-5150-03	1	Guard-Engine
8:6	131-3526	1	Decal-Controls	31	1-513658	4	Bumper
8:7	131-3528	1	Decal-Fuse	33	3230-10	2	Bolt-CARR
9	3234-42	4	Screw-HHF	34	3296-51	2	Nut-Lock, NI
10	104-8301	8	Nut-HF, NI	35	3290-271	2	Rivet-Pop
11	131-7455	1	Plate-Striker	38	131-3525	1	Decal-Panel, Control
12	3229-11	1	Screw-CARR	48	107-3002	2	Washer-Nylon
13	104-7201	1	Nut-HF	49	105-8278	1	Decal
14	105-4886	4	Nut-Tinnerman	63	133-4641	2	Decal-Warning, No Riders
15	3230-5	3	Bolt-CARR	65	133-4619-01	1	Guard-Fan, RH (CE)
16	104-8300	9	Nut-HF, NI	66	133-4618-01	1	Guard-Fan, Center (CE)
17	107-3844	3	Washer	67	133-4622-01	1	Guard-Fan, LH (CE)
18	130-4558	2	Wheel/Tire And Bearing ASM	68	94-2413	4	Nut-U
19	132-5161-01	1	Tube-Mount, Fuel Tank	69	3234-29	4	Screw-HHF
20	132-1145-03	1	Bracket-Cross	70	133-4646-03	1	Guard-Extension
21	117-3591	2	Decal-Commercial	71	133-4649-03	1	Guard-Belt, CE
23	114-1926	4	Bumper-Rubber	72	1-513658	2	Bumper
24	121-7988-01	2	Fork-Caster	73	131-3530-03	1	Bracket-Mounting, Guard
25	1-811010	2	Plug	74	106-9758	1	Screw-CARR

Wheel, Tire and Bearing Assembly No. 130-4558



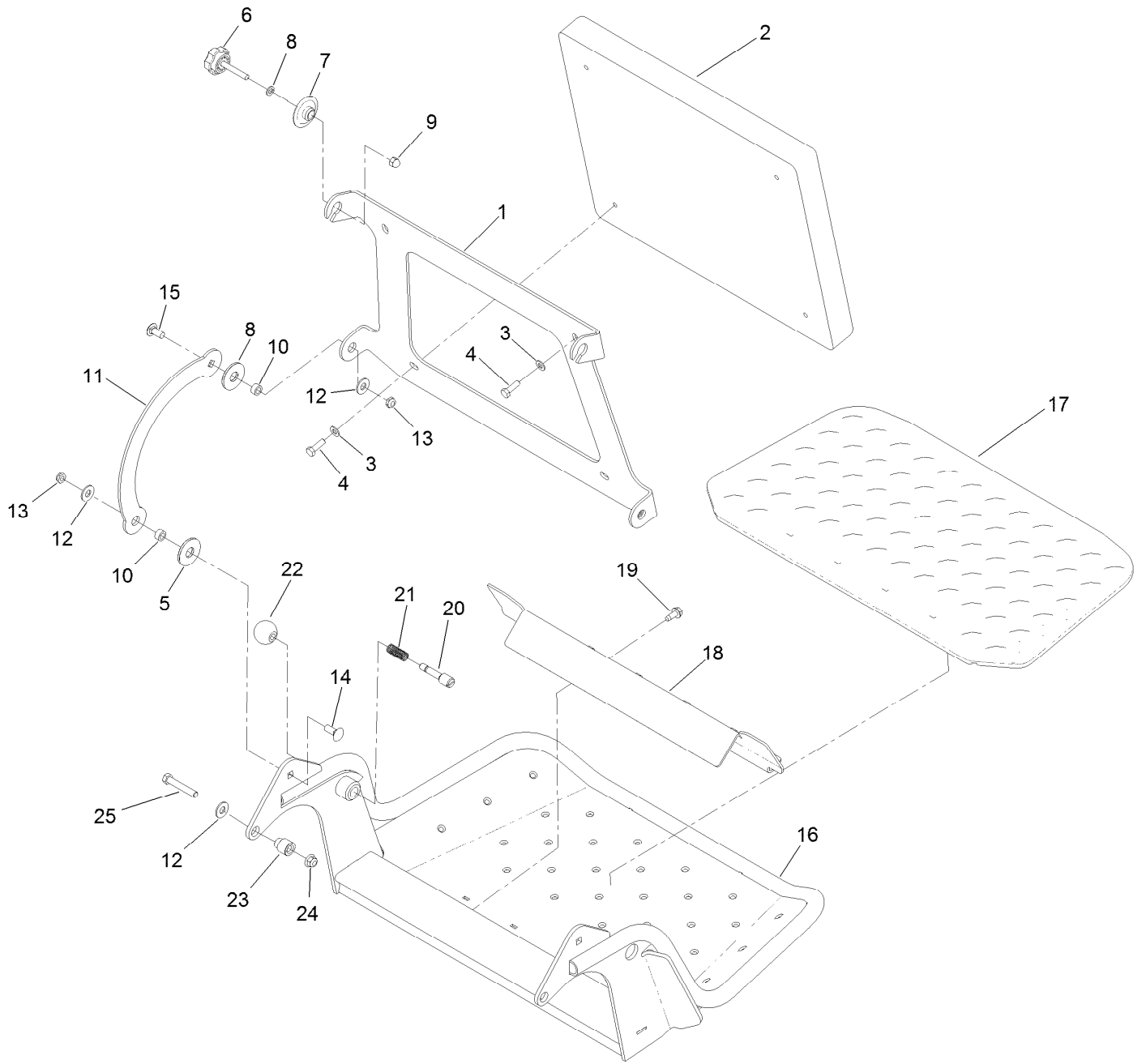
Wheel, Tire and Bearing Assembly No. 130-4558 (continued)

<i>Ref.</i>	<i>Part Number</i>	<i>Qty.</i>	<i>Description</i>	<i>Ref.</i>	<i>Part Number</i>	<i>Qty.</i>	<i>Description</i>
1		1	Wheel And Bearing ASM ●	1:5	130-4563	1	Wheel And Tire ASM
1:1	1-633585	2	Bearing-Cone, Taper	2	103-2768	2	Guard-Seal
1:2	103-0063	2	Seal-Caster	3	3296-45	1	Nut-Hex
1:3	103-3051	1	Spacer-Nut ■	4	325-20	1	Screw-HH
1:4	126-5359	1	Caster Axle ASM				

● Not serviced separately

■ Use Pro-Lock, Nut Type (P/N 1-840022, .5ml tube) on spacer nut

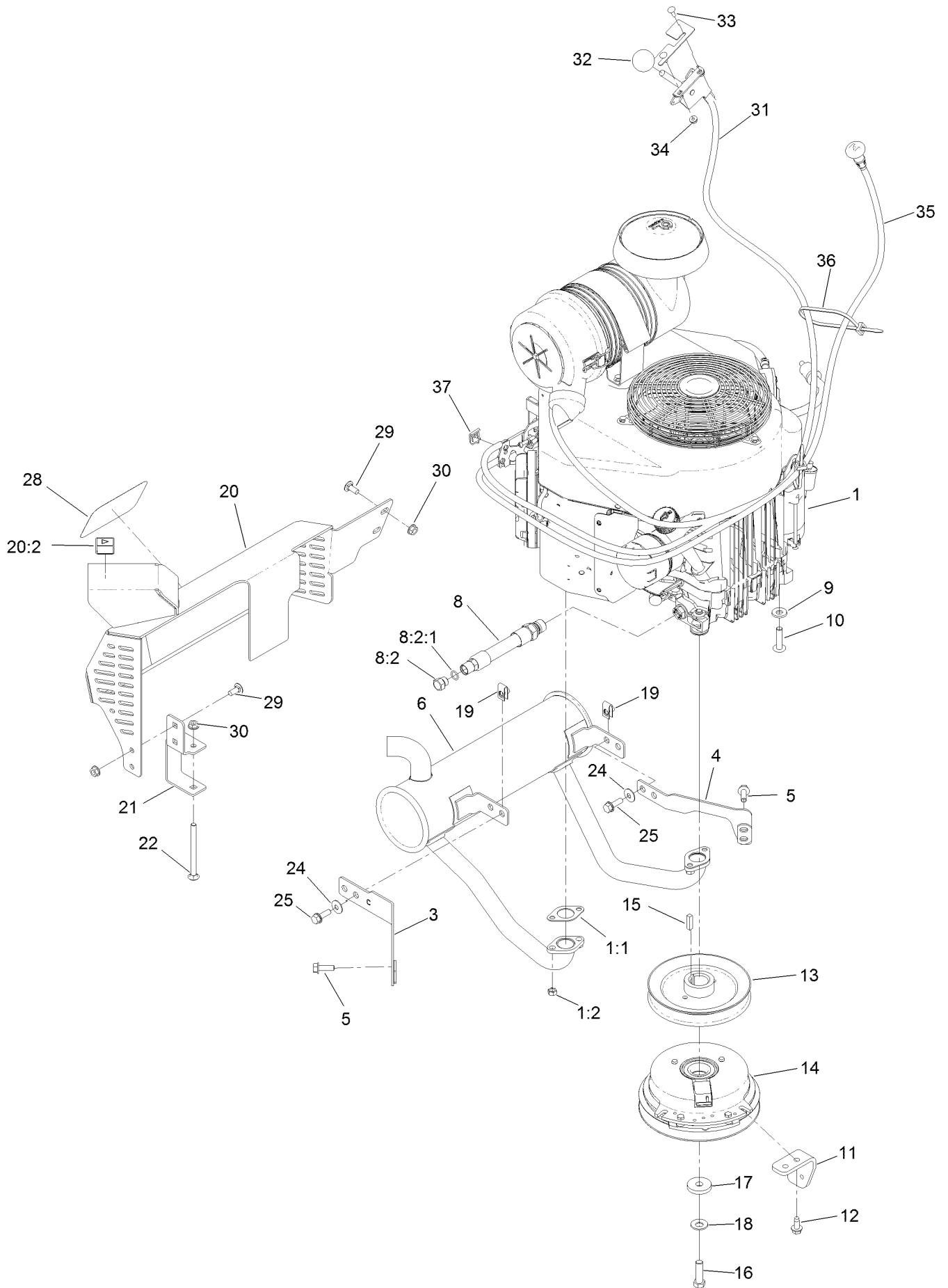
Platform Assembly



Platform Assembly (continued)

<i>Ref.</i>	<i>Part Number</i>	<i>Qty.</i>	<i>Description</i>	<i>Ref.</i>	<i>Part Number</i>	<i>Qty.</i>	<i>Description</i>
1	120-8499-03	1	Hinge-Pad	14	3231-2	2	Bolt-CARR
2	117-9739	1	Pad-Cushion	15	3231-27	2	Screw-CARR
3	3256-23	4	Washer-Plain	16	120-8475-01	1	Platform
4	121-7999	4	Screw-HH	17	126-7157	1	Mat-Platform
5	114-0463	4	Washer-Friction, Composite	18	3345-771	1	Shield Clamp Kit
6	133-1426	2	Knob	19	32144-70	2	Screw-HWHTF
7	116-2886	2	Slide-Bushing	20	119-8650	1	Pin-Latch
8	3253-4	2	Washer-Lock	21	114-5348	1	Spring
9	131-4535	2	Nut-Acorn	22	1-603175	1	Knob-Ball
10	111044	4	Spacer	23	132-7583	2	Bushing-Flanged
11	114-1915-01	2	Link-Pad	24	104-8301	2	Nut-HF, NI
12	3256-4	6	Washer-Flat	25	323-45	2	Screw-HH
13	3296-59	4	Nut-Lock, NI				

Engine Assembly

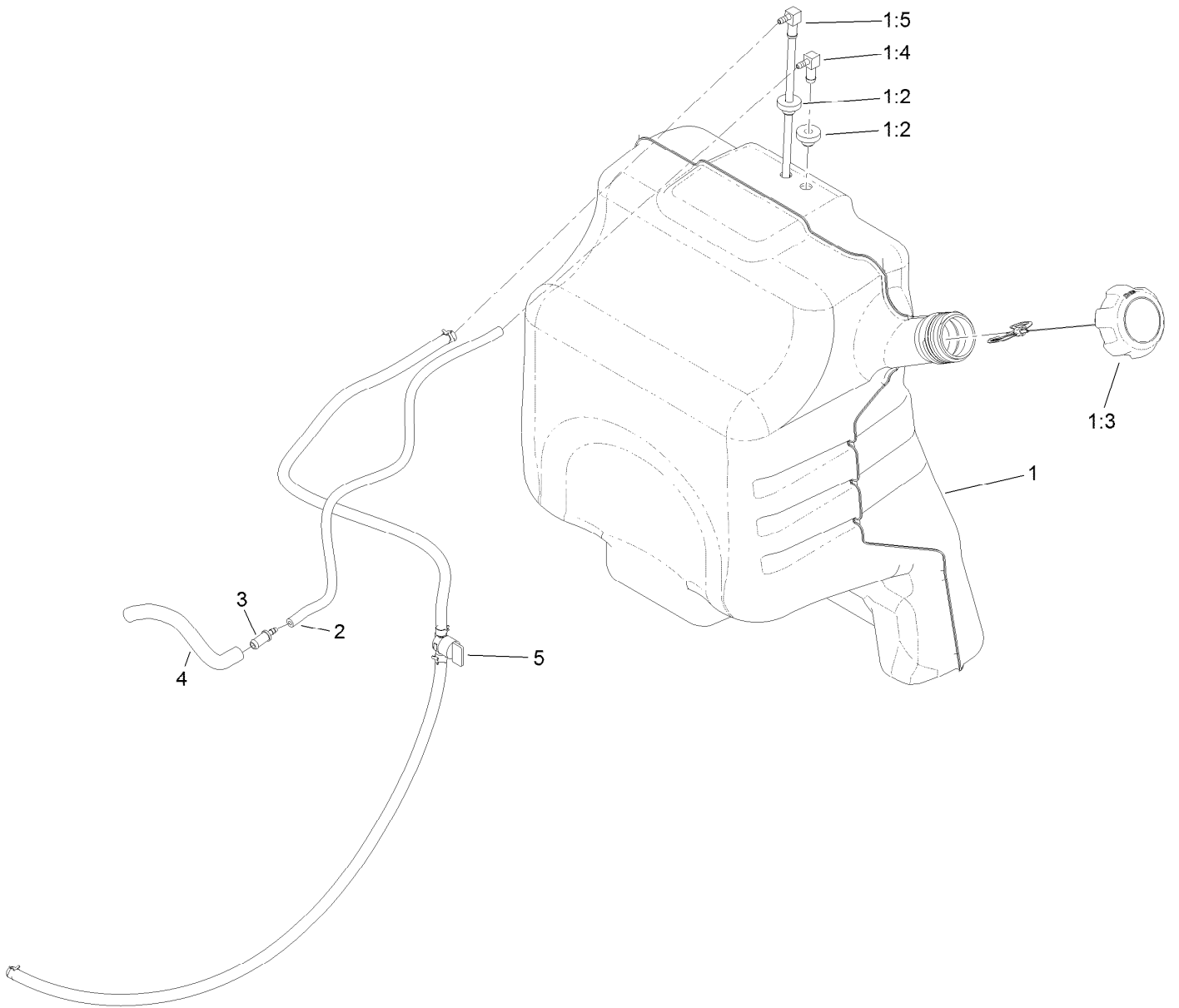


Engine Assembly (continued)

<i>Ref.</i>	<i>Part Number</i>	<i>Qty.</i>	<i>Description</i>	<i>Ref.</i>	<i>Part Number</i>	<i>Qty.</i>	<i>Description</i>
1	131-3519	1	Engine-Kawasaki, Fx691V	19	94-2413	4	Nut-U
1:1	1-653313	2	Gasket-Exhaust	20	131-3550	1	Muffler Guard ASM
1:2	114-3549	4	Nut	20:2	106-5517	1	Decal-Warning
3	132-1173	1	Bracket-Muffler, Front	21	131-3530-03	1	Bracket-Mounting, Guard
4	132-1174	1	Bracket-Muffler, Rear	22	106-9758	1	Screw-CARR
5	33104-025	4	Screw-HHF	24	3290-456	4	Washer-Belleville
6	133-4633	1	Muffler	25	3234-29	4	Screw-HHF
8	133-4659	1	Hose ASM	28	94-2579	1	Decal
8:2	353-508	1	Plug-HH	29	3230-23	4	Bolt-CARR
8:2:1	237-42	1	O-Ring	30	32128-25	5	Nut-HF
9	98-5975	4	Washer-Belleville	31	132-5152	1	Throttle ASM
10	126-0983	4	Screw-BHTF	32	1-603175	1	Knob-Ball
11	131-3586-03	1	Stop-Clutch	33	1-807533	2	Bolt-CARR
12	32144-70	2	Screw-HWHTF	34	32128-17	2	Nut-Lock, Flange
13	120-8498	1	Pulley	35	132-5140	1	Cable-Choke
14	138-8800	1	Clutch-200Cms	36	3290-378	2	Tie-Cable
15	1-807259	1	Key	37	81-1690	1	Clamp-Cable
16	3212-6	1	Screw-HH	39	121-4570	1	Filter-Fuel ●
17	107-4136	1	Washer	40	119-5852	1	Filter-Oil ●
18	1-603610	1	Washer-Spring				

● Not illustrated

Fuel Tank Assembly



Fuel Tank Assembly (continued)

<i>Ref.</i>	<i>Part Number</i>	<i>Qty.</i>	<i>Description</i>	<i>Ref.</i>	<i>Part Number</i>	<i>Qty.</i>	<i>Description</i>
1	132-7560	1	Fuel Tank ASM	2	110-8255	1	Hose-Fuel
1:2	46-6560	2	Bushing	3	98-2952	1	Fitting-Straight
1:3	137-4127	1	Cap-Fuel	4	132-7576	1	Hose-Fuel
1:4	104-5228	1	Fitting-Elbow, 90 DEG	5	132-7546	1	Fuel Line ASM
1:5	132-7559	1	Fuel Tube ASM				

Wire Harness Assembly (continued)

<i>Ref.</i>	<i>Part Number</i>	<i>Qty.</i>	<i>Description</i>	<i>Ref.</i>	<i>Part Number</i>	<i>Qty.</i>	<i>Description</i>
1	136-5423	1	Harness-Wire	13	114-0279	1	Switch-PTO, On-On
2	82-2190	3	Switch-Bail	14	137-4101	1	Switch-Ignition
3	104-8162	1	Battery	15	63-8360	1	Key-Ignition
4	130-6635-01	1	Bracket-Hold Down, Battery	16	3253-3	1	Washer-Lock
5	104-7201	2	Nut-HF	17	3217-5	1	Nut-Hex
6	1-633651	2	Bolt-Holddown	18	3290-500	1	Screw-PPH
7	112-7063	1	Cable-Battery, Black	19	3256-14	1	Washer-Flat
8	130-6570	1	Module-Meter, Hour	20	3296-2	1	Nut-Lock, NI
9	3256-23	2	Washer-Plain	21	1-643275	1	Relay
10	322-3	2	Screw-HH	22	67-1300	1	Decal
11	115-3864	1	Cable-Battery, Positive	99	3290-378	4	Tie-Cable
12	109-5715	2	Nut-HHF, Smooth				

Attachments and Accessories

For 74542TE GrandStand Mower With 122cm Rear Discharge TURBO FORCE Cutting Unit

Product Name	Model/Part
Roller Striper Kit.....	133-1436
Strobe Light Kit	133-1495
Recycler Kit	134-3259
Bucket Mount Kit.....	136-5681
Multiforce EC Float Kit	136-8350
Brake Hub Puller.....	116-6518
Speed Setting Tool.....	132-7595
Light Kit.....	133-1437
Electric Accessory Port.....	133-1438
Hydraulic Cap Lock Kit.....	136-5420
Oil Filter	119-5852
Trash Bag Assembly.....	133-1435
15-Pound Cast Weight.....	112-7059-01
Harness Wire Splitter.....	121-5988
Trimmer Rack	133-1441
5 Gallon Bucket	133-2533
HOC Set Blocks.....	134-3945
Stand-On Weight Kit	133-1428
Pneumatic Castor Wheel Kit.....	137-4136
18x8.5n10 X-Tweel Turf.....	139-7890
Spark Plug	92-2153
Element-Filter, Air (Outer).....	119-5944
Element-Filter, Air (Inner).....	119-5945
Fuel Filter.....	120-2235
Blade-Lo Flow, 16.5in (6 Pack)	110-0415
Blade-Low Flow, 16.5in.....	107-3193-03
Blade-Mid Flow, 16.5in (6 Pack)	110-0418
Blade-Mid Flow, 16.5in	107-3194-03
Blade-Hi Flow, 16.5in (6 Pack).....	110-0414
Blade-Hi Flow, 16.5in.....	107-3192-03
Blade-Recycler, 16.5in (6 Pack).....	110-0416
Blade-Recycling, 16.5in.....	107-3196-03
Blade-Atomic, 16.5in (6 Pack)	110-0417
Blade-Atomic, 16.5in	107-3195-03
Hypr-Oil 500 (quart).....	114-4713
Hypr-Oil 500 (gallon).....	114-4714
Hypr-Oil 500-5 (5 gallon).....	114-4715
Toro Premium Fuel Treatment 12 Oz Bottle	131-6572
Hydro Filter Kit.....	132-4743
Hydro Oil Change Kit	133-1457
10w30 4-Cycle Engine Oil (32oz Bottle).....	38280
Toro 4-Cycle SAE 30 Oil (32oz Bottle)	38903
Spark Arrestor	98-9099

Notes:

Notes:

Notes:



Count on it.