



# 44 inch Vac Bagger

## TimeCutter™ Z Riding Mower Attachment

Model No. 79160—210000001 and Up

## Parts Catalog

---

### Ordering Replacement Parts

To order replacement parts, please supply: the part number, the quantity, and the description of each part desired.

### Understanding Reference Numbers

Each identified part in an illustration has a reference number. The reference number for a part also appears in the parts list, along with other information about the part.

This catalog uses two special reference number formats, one to indicate parts in a service assembly and another to indicate the quantity of a given part in an illustration.

### Service Assembly Reference Numbers

Parts in service assemblies have reference numbers in the form **a:b**. The **a** represents the reference number of the entire service assembly and the **b** represents a sequential number unique to each part within the service assembly.

For example, a wheel assembly might be identified by reference number **6**, the tire by **6:1**, the valve by **6:2**, and the wheel by **6:3**. When you order the assembly identified by reference number **6**, you receive all parts identified by reference numbers **6:1**, **6:2**, and **6:3**. However, you may also order any part individually.

Reference numbers of this type appear in illustrations and in part lists.

### Reference Numbers Indicating Quantity

In an illustration, if a reference number indicates more than one part, the reference number has the form **nX y**. The **n** represents the quantity of the part, the **X** is the multiplication symbol, and the **y** represents the reference number.

For example, in an illustration, the reference number **2X 37** means that two of the parts identified by reference number **37** are indicated.

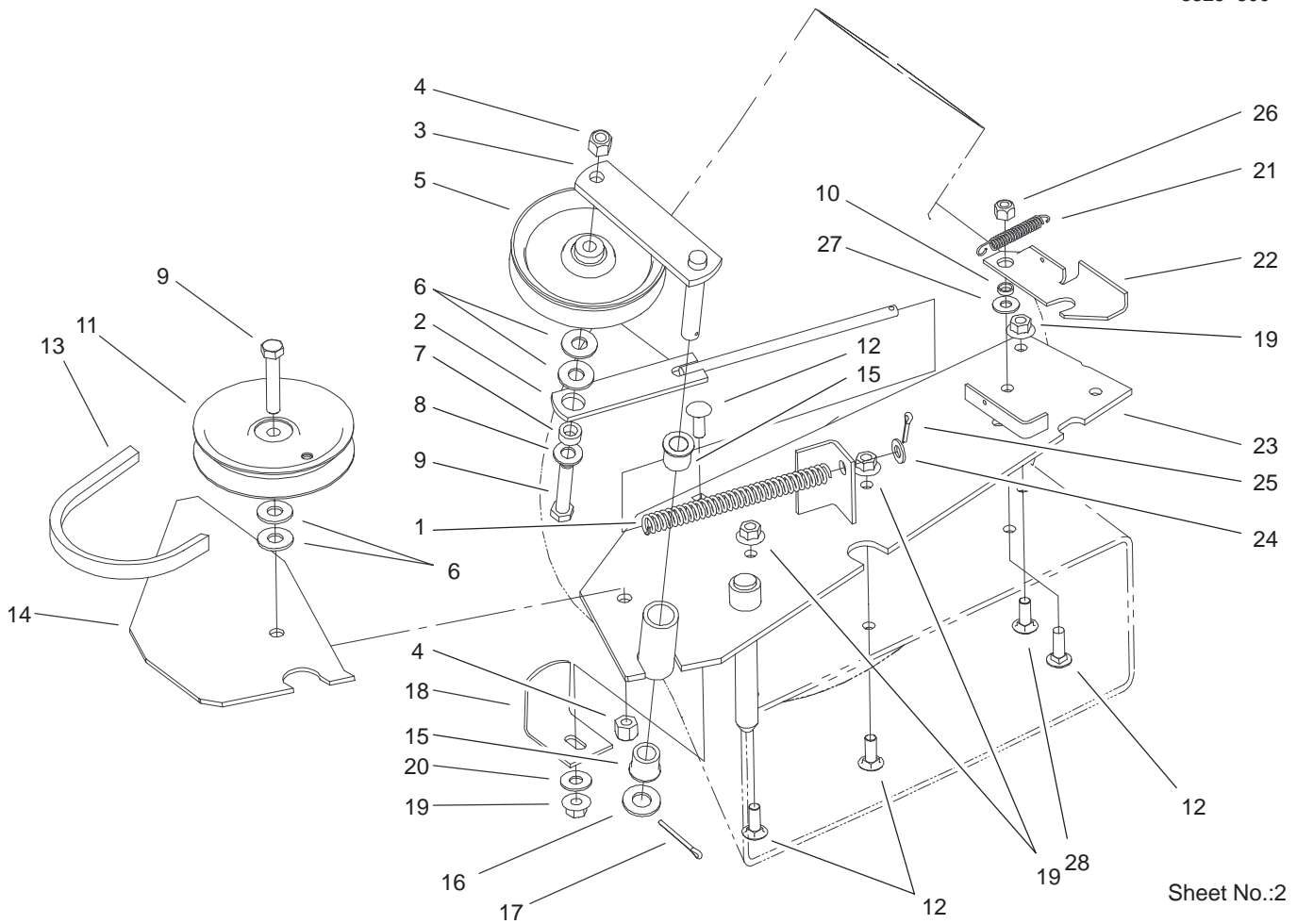
## Contents

<b>Description</b>	<b>Page</b>	<b>Description</b>	<b>Page</b>
Drive Component Assembly .....	3	Bag and Frame Assembly .....	7
Blower Housing Assembly .....	4	Baffle Assembly .....	8
Bag Top Assembly .....	5	Front Weight Assembly .....	9
44 Inch Deck Component Assembly .....	6	Maintenance .....	10-11

## Part Description Abbreviations

Part descriptions in this catalog may include the following abbreviations.

<b>Abbreviation</b>	<b>Meaning</b>	<b>Abbreviation</b>	<b>Meaning</b>
AR .....	as required	HYD .....	hydraulic
ASM .....	assembly	INC .....	incorporated
CARR .....	carriage	LH .....	left hand
DEG .....	degrees	NI .....	nylon insert
FH .....	flat head	PPH .....	Phillips pan head
GA .....	gauge	PTH .....	Phillips truss head
HF .....	hex flange	PTO .....	power take off
HH .....	hex head	RH .....	right hand
HHF .....	hex head flange	SFH .....	slotted fillister head
HLH .....	hex lag head	SHH .....	slotted hex head
HJ .....	hex jam	SQH .....	square head
HOC .....	height-of-cut	SHWH .....	slotted hex washer head
HS .....	hex socket	SPH .....	slotted pan head
HSBH .....	hex socket button head	SRH .....	slotted round head
HSFH .....	hex socket flat head	STD .....	standard
HSH .....	hex socket head	TAP .....	self tapping
HWH .....	hex washer head	TTH .....	Torx truss head
HWHTF .....	hex washer head thread forming	WH .....	wing head



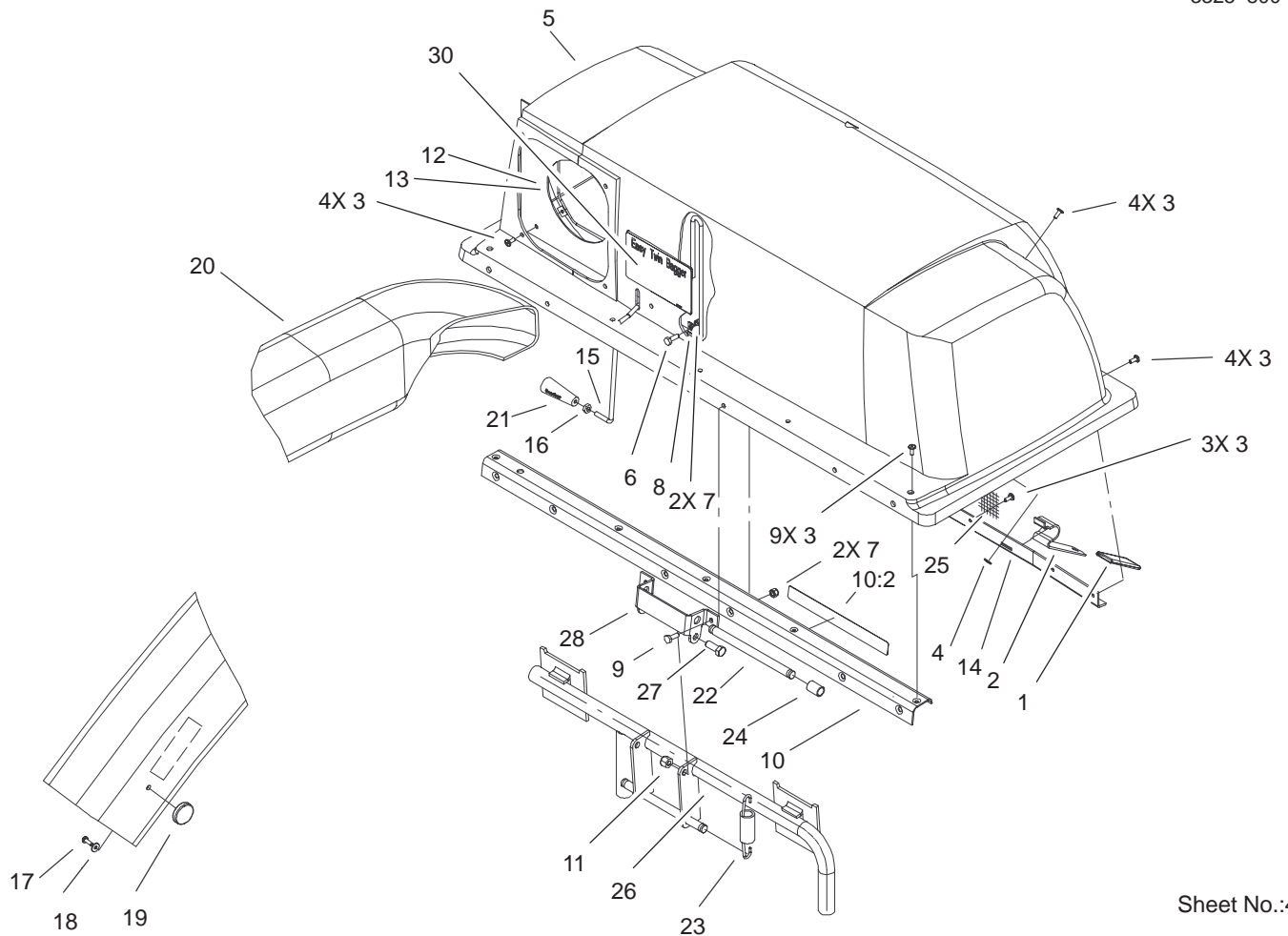
Sheet No.:2

## Drive Component Assembly

Ref. No.	Part No.	Qty.	Description
1	79-7110	1	Spring-Compression
2	79-2020	1	Spring-Rod
3	79-1970	1	Idler Arm ASM
4	3296-39	2	Nut-Lock, NI
5	92-7099	1	Pulley-Idler
6	3256-4	4	Washer-Flat
7	107213	1	Spacer
8	3256-24	1	Washer-Flat
9	323-10	2	Screw-HH
10	93-8013	1	Bushing
11	93-1622	1	Pulley-Idler
12	3230-16	4	Screw-CARR
13	93-8007	1	V-Belt
14	79-7280-03	1	Support-Shield, Belt
15	100284	2	Bushing
16	3256-26	1	Washer-Flat
17	3272-7	1	Pin-Cotter
18	79-7440	1	Bracket-Support, Housing
19	32128-20	4	Nut-HF
20	3256-3	1	Washer-Flat
21	79-7390	1	Spring-Extension
22	93-8012-03	1	Latch-Blower
23	93-8016-03	1	Mounting-Blower
24	3256-23	1	Washer-Flat
25	3272-10	1	Pin-Cotter

Ref. No.	Part No.	Qty.	Description
26	3296-29	1	Nut-Lock
27	98-3499	1	Washer-Flat
28	3230-2	1	Screw-CARR





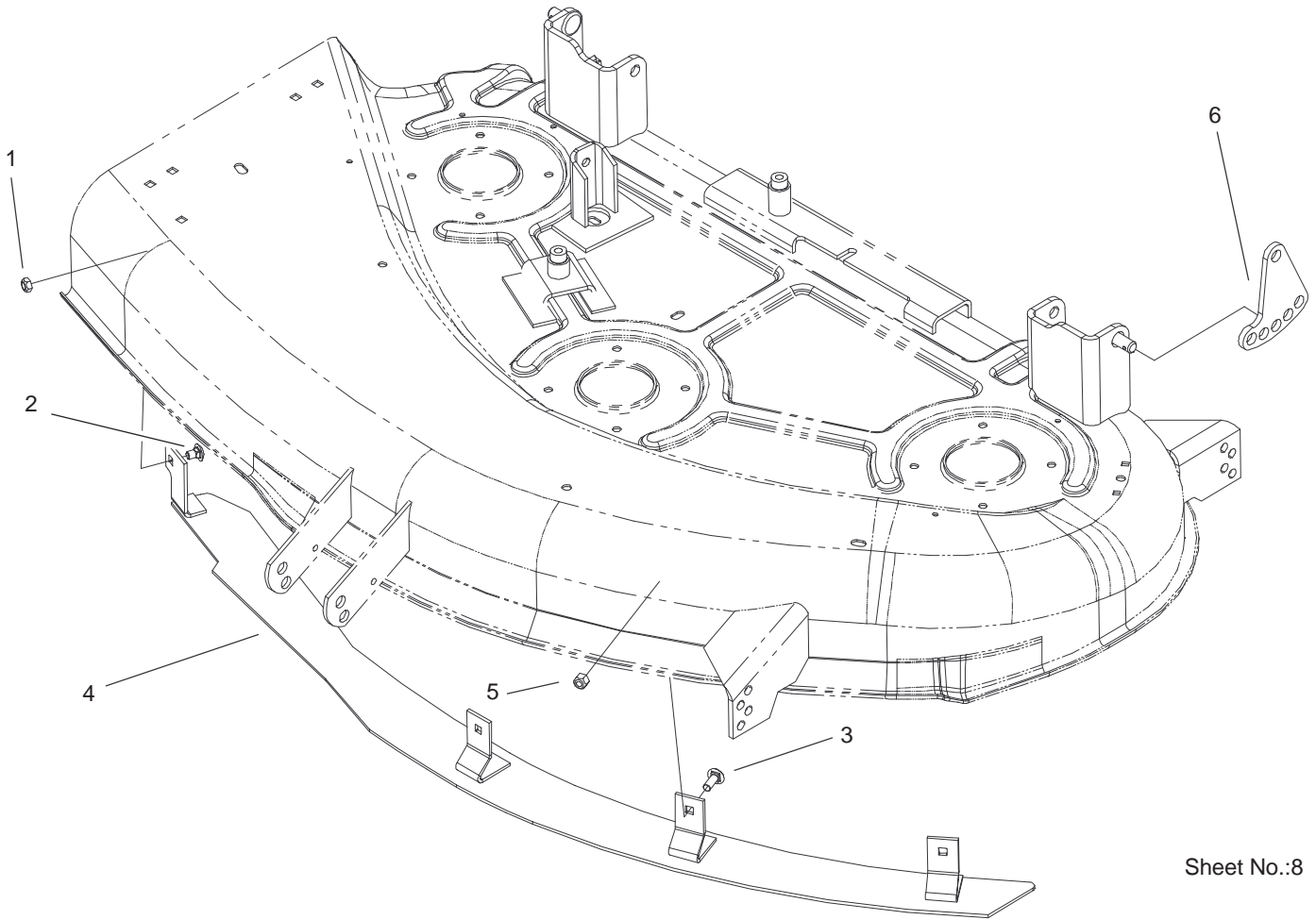
Sheet No.:4

## Bag Top Assembly

Ref. No.	Part No.	Qty.	Description	Ref. No.	Part No.	Qty.	Description
1	115880	2	Grip	26	114955-03	1	Frame ASM
2	115481-03	2	Latch-Bagger, Top	27	323-6	2	Screw-HH
3	114439	24	Rivet-Pop	28	114961-03	1	Hinge-Bag, Top
4	9202704	4	Washer	30	116347	1	Decal-Twin, Easy
5	92-1734	1	Top-Bagger				
6	321-4	2	Screw-HH				
7	3296-42	4	Nut-Lock, NI				
8	2412-91	2	Clamp				
9	321-4	2	Screw-HH				
10	88-9570	1	Stiffener ASM				
10:2	92-7113	1	Decal-Caution				
11	3296-39	2	Nut-Lock, NI				
12	114966	1	Clamp-Seal				
13	117239	1	Seal-Chute				
14	92-1736-03	1	Support-Screen				
15	114969	1	Feeler-Fill, Bag				
16	3218-1	1	Nut-Jam				
17	32144-8	1	Screw-HH				
18	3256-49	1	Washer-Flat				
19	233-68	1	Knob				
20	104-8030	1	Chute-Discharge				
21	118320	1	Handle-Tapered				
22	114960	1	Pin-Spring				
23	114962	2	Spring-Extension				
24	9790944	2	Spacer				
25	114967	1	Screen-Bagger				







Sheet No.:8

## Baffle Assembly

Ref. No.	Part No.	Qty.	Description
1	3296-47	1	Nut-Lock, NI
2	3230-19	1	Screw-CARR
3	3230-16	3	Screw-CARR
4	93-9950-03	1	Baffle
5	3296-29	3	Nut-Lock
6	104-8003-01	1	Link-HOC Adjusting

Ref. No.	Part No.	Qty.	Description







