



Proline 12.5HP
Mid-Size Traction Unit
Model No. 30165-21000001 and Up

Parts Catalog

Ordering Replacement Parts

To order replacement parts, please supply: the part number, the quantity, and the description of each part desired.

Understanding Reference Numbers

Each identified part in an illustration has a reference number. The reference number for a part also appears in the parts list, along with other information about the part.

This catalog uses two special reference number formats, one to indicate parts in a service assembly and another to indicate the quantity of a given part in an illustration.

Service Assembly Reference Numbers

Parts in service assemblies have reference numbers in the form **a:b**. The **a** represents the reference number of the entire service assembly and the **b** represents a sequential number unique to each part within the service assembly.

For example, a wheel assembly might be identified by reference number **6**, the tire by **6:1**, the valve by **6:2**, and the wheel by **6:3**. When you order the assembly identified by reference number **6**, you receive all parts identified by reference numbers **6:1**, **6:2**, and **6:3**. However, you may also order any part individually.

Reference numbers of this type appear in illustrations and in part lists.

Reference Numbers Indicating Quantity

In an illustration, if a reference number indicates more than one part, the reference number has the form **nX y**. The **n** represents the quantity of the part, the **X** is the multiplication symbol, and the **y** represents the reference number.

For example, in an illustration, the reference number **2X 37** means that two of the parts identified by reference number **37** are indicated.

Contents

Description	Page	Description	Page
Fuel Tank & Idler Bracket Assembly	3	Valve / Camshaft	14
Transmission & Idler Pulley Assembly	4	Lubrication Equipment	15
Brake, Pulley & Wheel Assembly	5	Cooling Equipment	16
Wheel Assembly	6	Electric Equipment	17
Handle & Control Panel Assembly	7	Control Equipment	18
Engine, Clutch & Muffler Guard Assembly	8	Carburetor	19
Clutch Assembly	9	Air Filter	20
Transmission	10	Starter	21
Schematic	11	Muffler	22
Crankcase	12	Maintenance	23
Piston / Crankshaft	13		

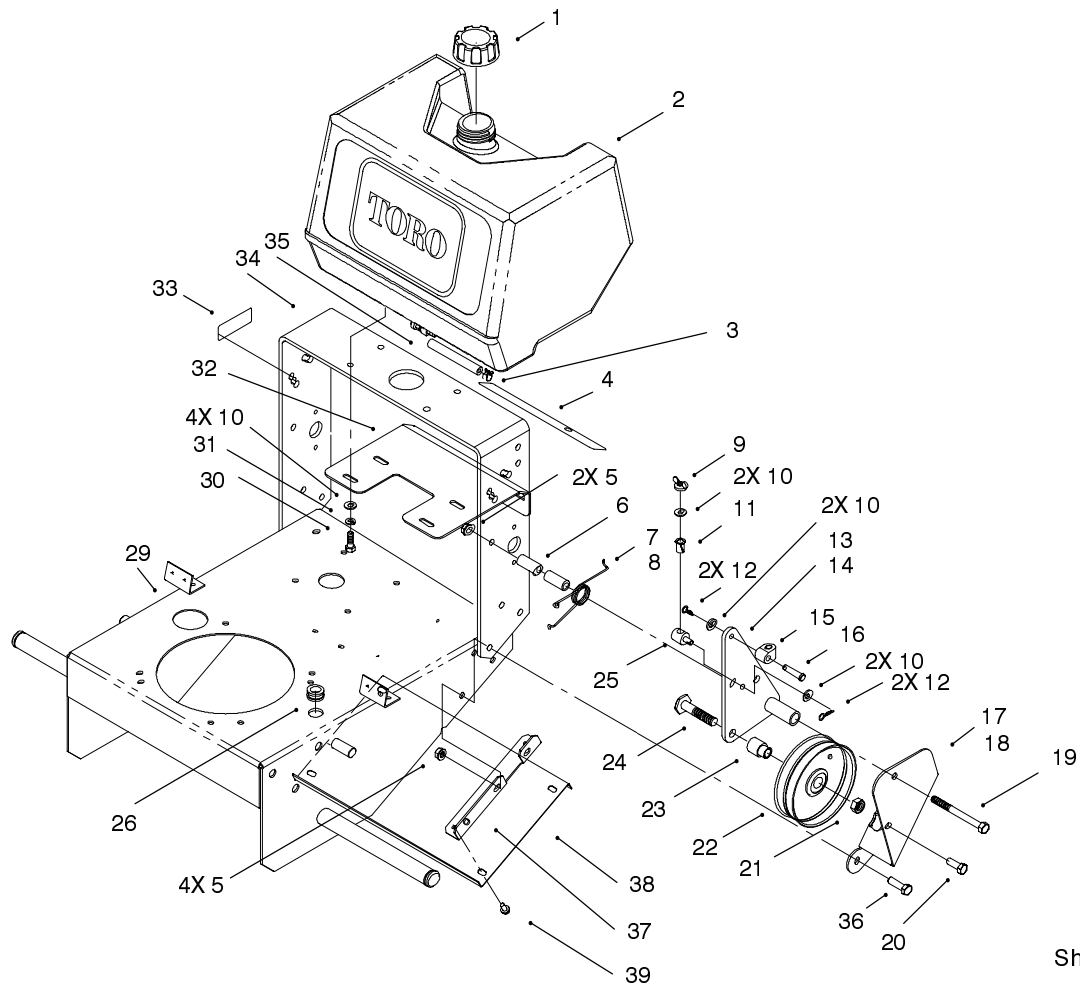
Accessories

Description	Model / Part No.	Description	Model / Part No.
36" Cutting Unit	Model No. 30138	Bagging Kit (For 37" Deck)	
37" Recycler Deck	Model No. 30139	(Cloth Bag	Model No. 30129
44" Cutting Unit	Model No. 30145	Bagging Kit	
Bagging Kit (For 36" Deck)	Model No. 30125	(For 44"/52" Decks)	Model No. 30128)

Part Description Abbreviations

Part descriptions in this catalog may include the following abbreviations.

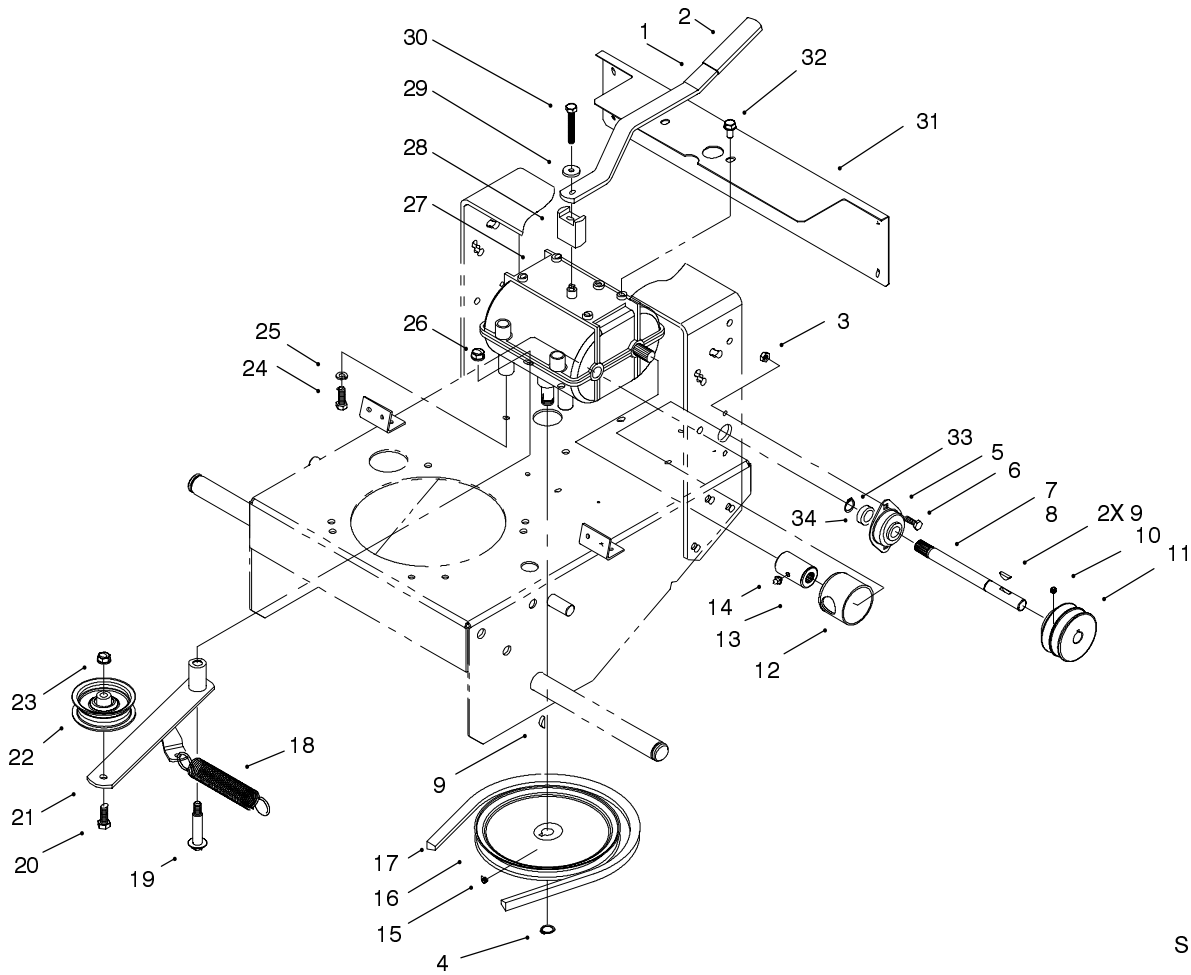
Abbreviation	Meaning	Abbreviation	Meaning
AR	as required	INC	incorporated
ASM	assembly	LH	left hand
CARR	carriage	NI	nylon insert
DEG	degrees	PPH	Phillips pan head
FH	flat head	PTH	Phillips truss head
GA	gauge	PTO	power take off
HF	hex flange	RH	right hand
HH	hex head	SFH	slotted fillister head
HHF	hex head flange	SHH	slotted hex head
HLH	hex lag head	SQH	square head
HJ	hex jam	SHWH	slotted hex washer head
HOC	height-of-cut	SPH	slotted pan head
HS	hex socket	SRH	slotted round head
HSBH	hex socket button head	STD	standard
HSFH	hex socket flat head	TAP	self tapping
HSH	hex socket head	TTH	Torx truss head
HWH	hex washer head	WH	wing head
HWHTF	hex washer head thread forming		



Sheet No.:2

Fuel Tank & Idler Bracket Assembly

Ref. No.	Part No.	Qty.	Description	Ref. No.	Part No.	Qty.	Description
1	55-3570	1	Gas Cap ASM	29	93-7438-01	1	Frame
2	95-2802	1	Tank - Fuel	30	322-4	4	Screw-HH
3	2412-98	2	Clamp	31	3253-4	4	Washer-Lock
4	93-7297	1	Decal - Ground Speed	32	66-7400-01	1	Plate-Control
5	3296-39	6	Nut-Lock, NI	33	93-9353	1	Decal - Fuel Shut Off
6	74-0040	4	Spacer-Idler Pivot	34	74-0360-01	1	Frame-Rear
7	51-4370	1	Spring-RH Torsion	35	47-2982	1	Hose-Gas
8	51-4380	1	Spring-LH Torsion	36	323-7	4	Screw-HH
9	32103-25	2	Nut-Wing	37	93-7436-03	2	Angle - Mounting
10	3256-23	10	Washer-Flat	38	93-7437-01	1	Panel - Bottom
11	52-2890	2	Bushing-Nylon	39	12-3270	4	Screw
12	3290-307	4	Pin-Hair				
13	74-0230-01	1	Bracket-RH Idler				
14	74-0220-01	1	Bracket-LH Idler				
15	74-0521	2	Fitting-Rod				
16	283-6	2	Pin-Clevis				
17	67-6370-01	1	Bracket-RH Support				
18	67-6380-01	1	Bracket-LH Support				
19	323-16	2	Screw-HH				
20	323-6	2	Screw-HH				
21	3296-23	2	Nut-Lock, NI				
22	95-2800	2	Pulley - Idler				
23	95-2801	2	Spacer - Pulley				
24	51-4450	2	Screw-Leveler				
25	68-9690	2	Fitting-Rod				
26	237-124	1	Grommet				

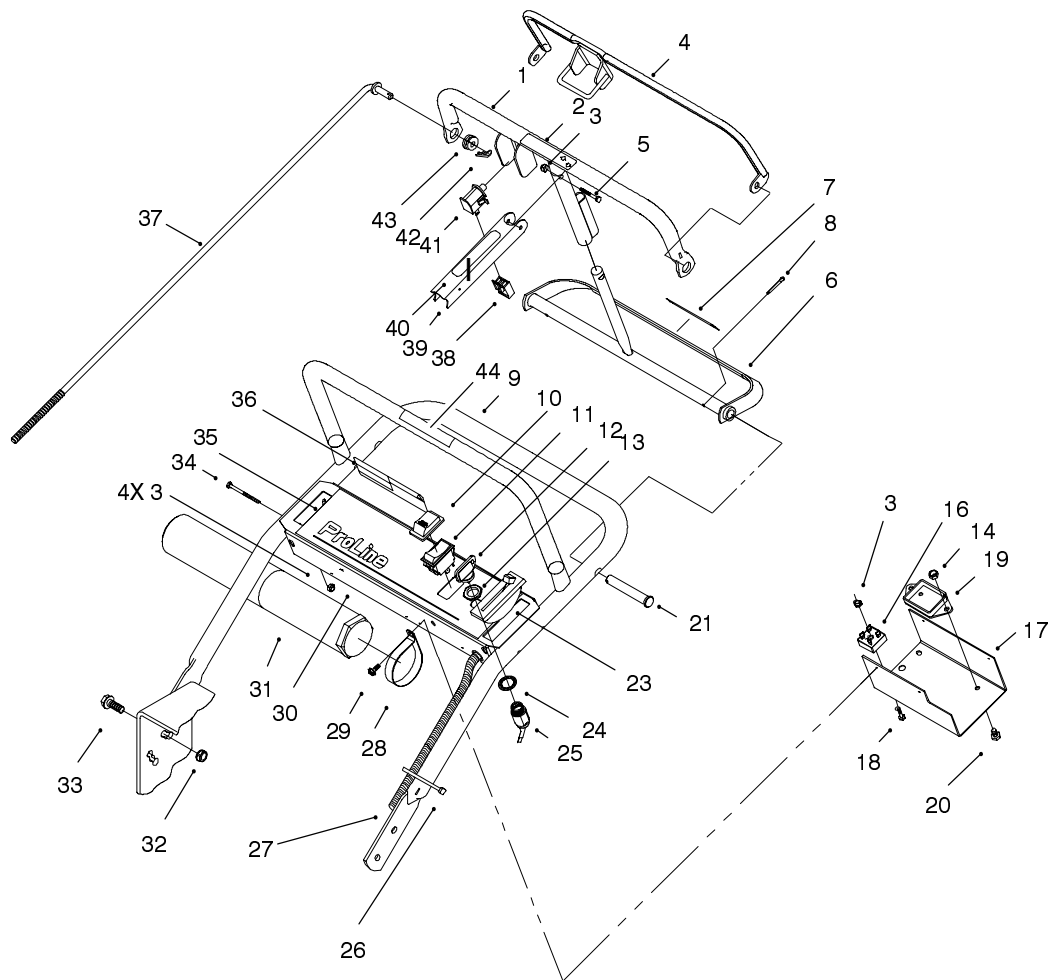


Sheet No.:3

Transmission & Idler Pulley Assembly

Ref. No.	Part No.	Qty.	Description
1	74-0320-01	1	Lever-Shift
2	47-1970	1	Grip-Engagement
3	3296-42	4	Nut-Lock NI
4	32120-64	1	Ring-Snap, External
5	1-323254	2	Flange,Output
6	321-4	4	Screw-HH
7	98-0788	1	Shaft - Extension, RH
8	98-0787	1	Shaft - Extension, LH
9	3257-5	3	Key-Woodruff
10	3245-3	2	Screw-Hex Socket Set
11	74-0480	2	Drive Pulley Assembly
12	51-4220	2	Guard-Coupler
13	98-0789	2	Coupler
14	302-5	2	Fitting-Grease
15	3245-1	1	Screw-Set, HSH
16	51-4190	1	Pulley-Driven
17	26-9671	1	V-Belt
18	68-2190	1	Spring-Extension
19	27-6230	1	Bolt-Wheel
20	323-8	1	Screw-HH
21	16-7509	1	Lever-Idler W/Bushings
22	62-4540	1	Pulley
23	3296-39	1	Nut-Lock, NI
24	322-2	4	Screw-HH

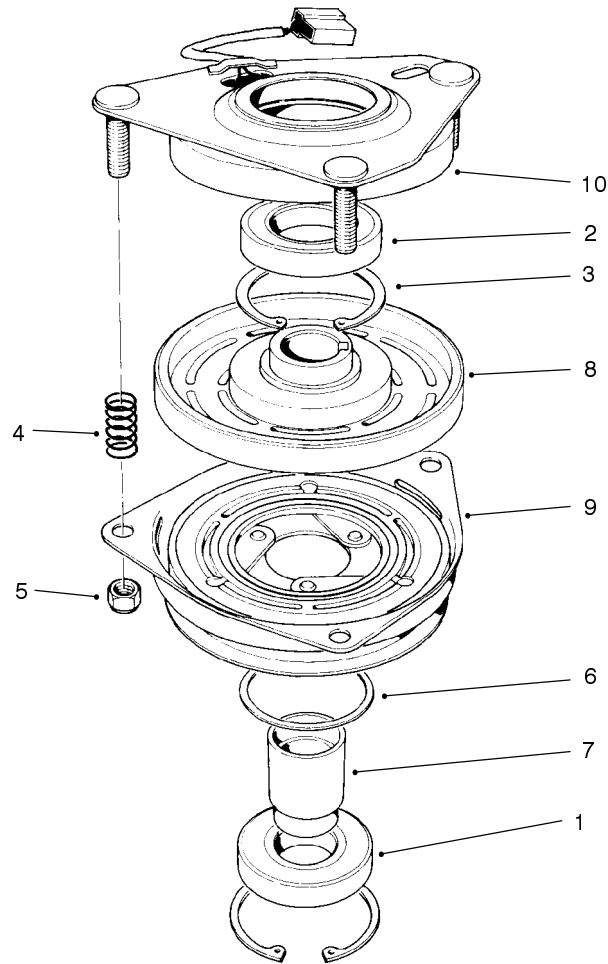
Ref. No.	Part No.	Qty.	Description
25	3253-4	4	Washer-Lock
26	3296-6	1	Nut-Lock, NI
27	98-0791	1	Transmission
28	72-2190	1	Mount-Shift Lever
29	7-5461	1	Spacer
30	329-10	1	Screw-HH
31	93-7431-03	1	Guard - Trans Shaft
32	32144-14	2	Screw-HWH
33	32151-52	2	Ring - Int 1.25 Hsg
34	1-323252	2	Bearing,Trans Shaft



Sheet No.:5

Handle & Control Panel Assembly

Ref. No.	Part No.	Qty.	Description	Ref. No.	Part No.	Qty.	Description
1	82-7690-03	1	Bar-Control	29	32104-76	4	Screw
2	93-7298	1	Decal - Control Bar	30	82-2180-03	1	Panel-Control
3	3296-2	6	Nut-Lock	31	74-0720	1	Tube-Manual
4	82-7680-03	1	Bail	32	32128-21	4	Nut-HF
5	32105-1	1	Screw-SHH	33	3234-11	4	Screw-HHF
6	99-8501-03	1	Control-Pivot	34	32105-14	4	Screw-Slotted Hd
7	93-7299	1	Decal - Reverse	35	93-7295	1	Decal - Panel
8	3272-11	2	Pin-Cotter	36	93-6657	1	Decal - Danger
9	67-6440-01	1	Handle-Upper	37	82-7631	2	Rod-Control
10	82-3820	1	Boot-Switch	38	218-595	1	Connector-Body
11	82-2300	1	Switch	39	51-4850-03	1	Lever-Parking Brake
12	63-8360	2	Key-Ignition	40	93-7442	1	Decal - Parking Lever
13	218-461	1	Nut-HH	41	82-2190	1	Switch-Bail
14	3296-42	1	Nut-Lock NI	42	3290-307	2	Pin-Hair
16	37-7600	1	Rectifier-Bridge	43	237-141	2	Grommet-Rubber
17	93-1187-03	1	Panel - Bottom	44	98-4387	1	Decal-Protection, Ear
18	32105-13	1	Screw-SHH				
19	100-6170	1	Module- Delay				
20	321-2	1	Screw-HH				
21	283-55	2	Pin-Clevis				
23	74-0740	1	Control-Throttle				
24	3254-5	1	Washer-Lock, Internal				
25	29-5560	1	Switch-On Off				
26	3290-378	2	Tie-Cable				
27	100-6459	1	Harness- Wire, Recoil				
28	2412-120	2	R-Clamp				

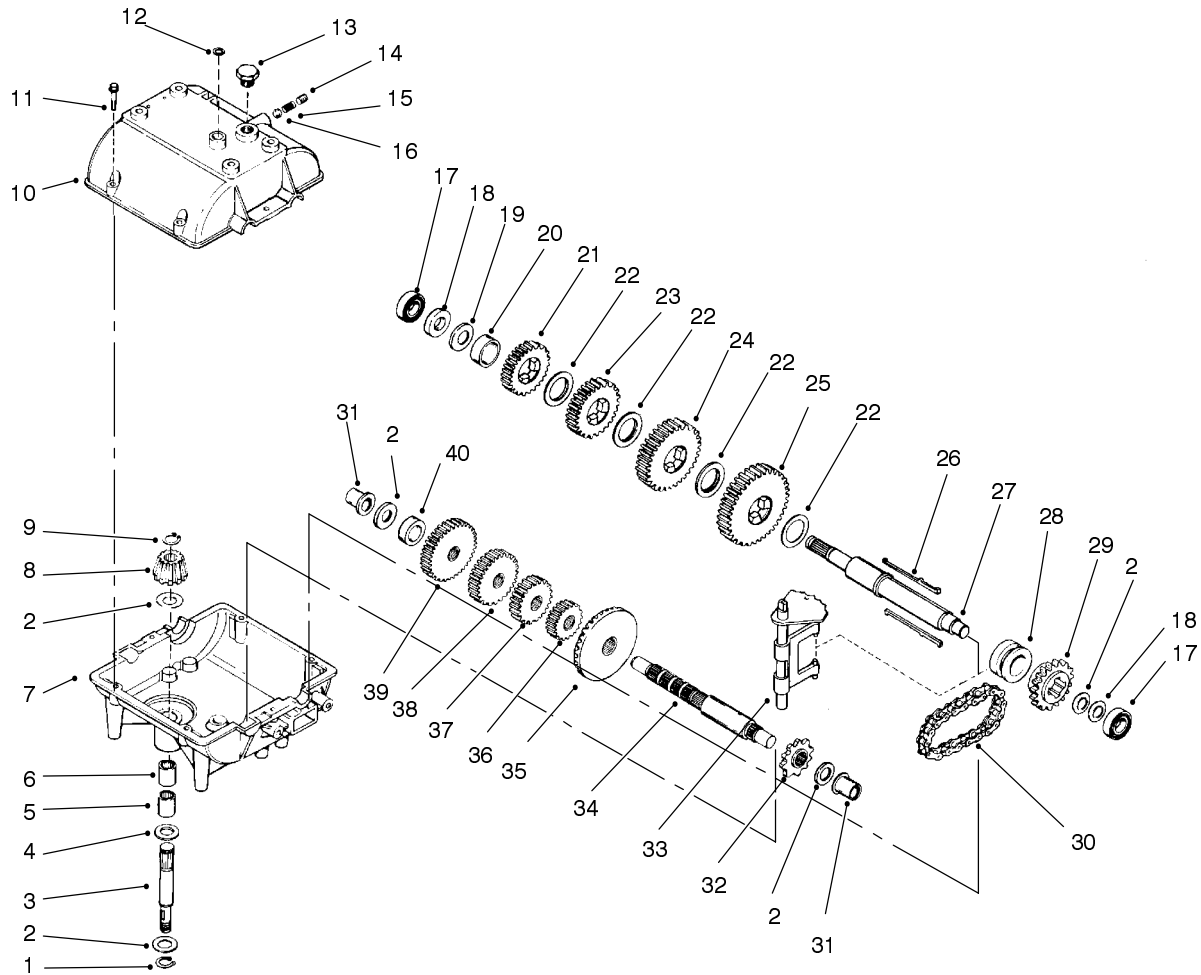


Sheet No.:A3

Clutch Assembly

Ref. No.	Part No.	Qty.	Description
1	251-291	1	Bearing-Pulley
2	251-292	1	Bearing-Field
3	44-8310	2	RIng-Retaining
4	44-8320	3	Spring
5	3296-6	3	Nut-Lock, NI
6	44-8330	1	Spacer-Pulley Brg
7	44-8340	1	Collar-Bearing
8	44-8360	1	Field Coil,Rotor/Brg ASM
9	44-8370	1	Armature/Pulley/Brg
10	54-0230	1	Field ASM/Brg

Ref. No.	Part No.	Qty.	Description



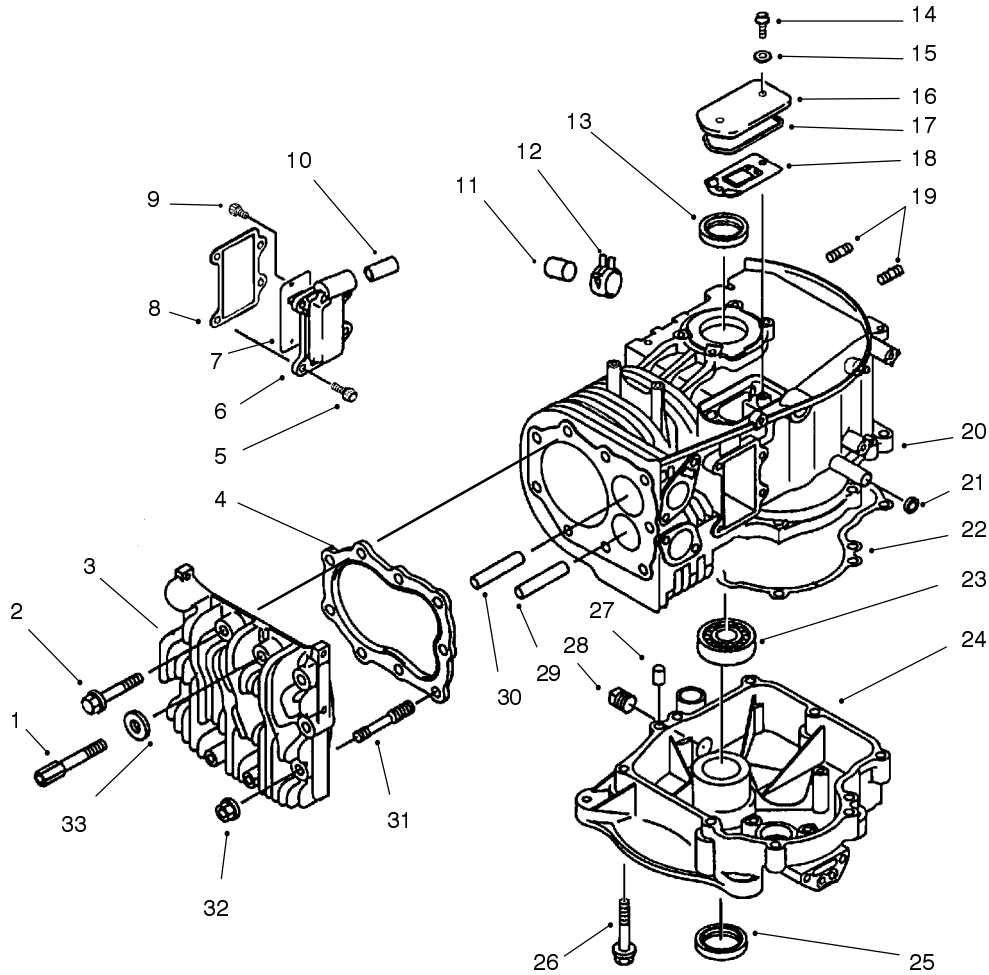
Peerless Transmission Model 700-082

Ref. No.	Part No.	Qty.	Description
1	792035	1	Ring - Retaining
2	780072	5	Washer - Thrust
3	776135	1	Shaft - Input
4	792001	2	"O"Ring
5	780142	1	Bearing - Needle
6	780086A	1	Bearing - Needle
7	770090A	1	Case - Transmission
8	778153	1	Bevel Pinion - Input
9	788040	1	Ring - Retaining
10	772099A	1	Cover - Transmission
11	792073A	6	Screw - Self Tapping
12	788069	1	Seal - Square Cut
13	792074	1	Plug - Threaded
14	792078	1	Screw - Set
15	792079	1	Spring
16	792077A	1	Ball - Steel
17	780092	2	Bearing - Ball
18	780065	2	Washer - Thrust
19	780139	1	Washer - Thrust
20	786072	1	Spacer
21	778123A	1	Gear - Spur (25 Teeth)
22	780108	4	Washer - Thrust
23	778250	1	Gear - Spur (27 Teeth)
24	778124A	1	Gear - Spur (30 Teeth)
25	778125	1	Gear - Spur (35 Teeth)
26	792089A	4	Key

Ref. No.	Part No.	Qty.	Description
27	776421	1	Shaft - Shifter & Brake
28	784266	1	Collar - Shift
29	786083	1	Sprocket (18 Teeth)
30	786081	1	Chain - Roller (No. 41 Chain 24 Links)
31	780105A	2	Bushing - Flanged
32	786082	1	Sprocket (9 Teeth)
33	784267	1	Rod & Fork Asm - Shift
34	776134	1	Shaft - Counter
35	778154	1	Gear - Bevel (42Teeth)
36	778136	1	Gear - Spur (15 Teeth)
37	778126A	1	Gear - Spur (20 Teeth)
38	778249	1	Gear - Spur (23 Teeth)
39	778127A	1	Gear - Spur (25 Teeth)
40	786071	1	Spacer
*	788067B	1	Grease 32oz Bottle
*	510334	1	Grease Eliminator

*Not Illustrated

Order Parts from Peerless



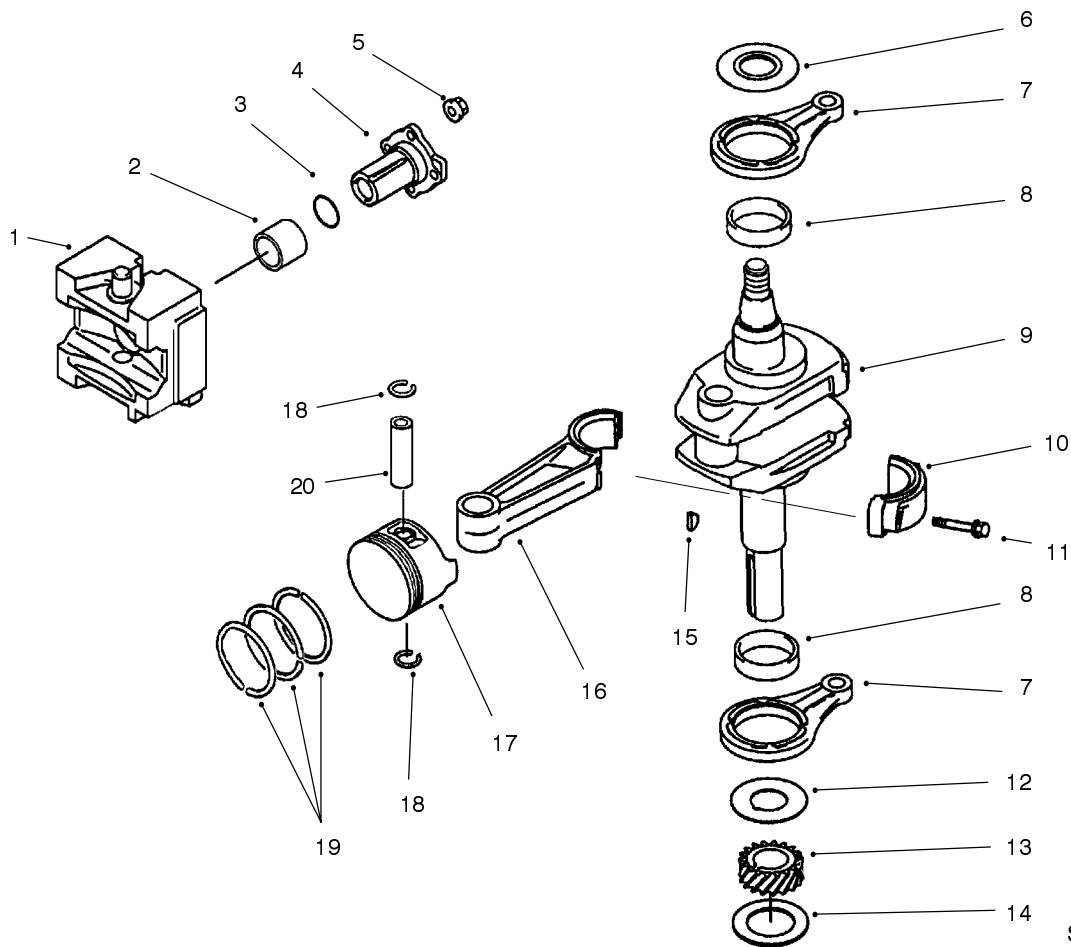
Sheet No.: 201

Crankcase

Ref. No.	Part No.	Qty.	Description
1	92002-2258	2	Bolt
2	130g1055	4	Bolt-Flange
3	11001-2151	1	Head-Cylinder
4	11004-2091	1	Gasket-Head
5	130g0616	4	Bolt-Flange
6	49108-2011	1	Cover-Valve Chamber
7	14025-2143	1	Cover
8	11060-2059	1	Gasket
9	92009-2307	2	Screw
10	92059-2142	1	Tube
11	92066-2096	1	Plug
12	92170-2088	1	Clamp
13	92049-2096	1	Seal-Oil
14	92002-2087	2	Bolt
15	11060-2323	2	Gasket
16	14025-2040	1	Cover-Breather
17	11009-2339	1	Gasket-Cover
18	14069-2062	1	Breather
19	92004-2083	4	Stud-6 X 14
20	49120-6108	1	Crankcase-Complete
21	92049-2097	1	Seal-Oil
22	11060-2015	1	Gasket-Crankcase
23	601a6207	1	Bearing-Ball
24	49015-6176	1	Cover-Crankcase
25	92049-2227	1	Seal-Oil
26	130g0845	8	Bolt-Flange

Ref. No.	Part No.	Qty.	Description
27	92043-1263	2	Pin
28	92066-2097	1	Plug
29	49002-2071	1	Guide-Valve Exhaust
30	49002-2070	1	Guide-Valve Intake
31	92004-2082	3	Stud
32	92015-2115	3	Nut
33	410b1000	2	Washer-Plain

Engine Kawasaki Model FB460V Type LS08. Obtain Parts from Kawasaki.



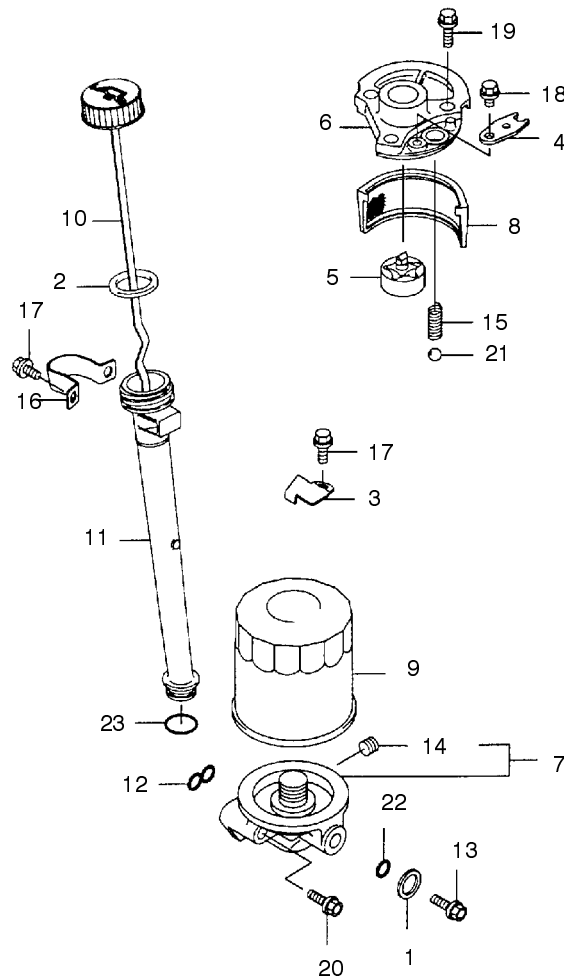
Sheet No.: 202

Piston / Crankshaft

Ref. No.	Part No.	Qty.	Description
1	13042-6006	1	Weight Incl #2
2	92141-2097	1	Bearing-Plane
3	92055-2072	1	O-Ring
4	13107-2253	1	Shaft
5	92015-1193	4	Nut
6	92026-2164	1	Spacer
7	46102-6007	2	Rod Incl #8
8	92141-2108	2	Bearing-Plane
9	49119-2177	1	Crankshaft ASM
11	92050-2193	2	Bolt
12	92026-2156	1	Spacer
13	59056-2105	1	Gear-Helical
14	92025-2145	A/R	Shim T=1.18
14	92025-2146	A/R	Shim T=1.25
14	92025-2147	A/R	Shim T=1.32
14	92025-2148	A/R	Shim T=1.39
14	92025-2149	A/R	Shim T=1.46
14	92025-2150	A/R	Shim T=1.53
14	92025-2151	A/R	Shim T=1.60
14	92025-2152	A/R	Shim T=1.67
14	92025-2153	A/R	Shim T=1.74
14	92180-2015	A/R	Shim T=1.11
14	92180-2016	A/R	Shim T=1.81
15	92038-2094	1	Key
16	13251-6005	1	Rod ASM Incl #10 11

Ref. No.	Part No.	Qty.	Description
16	13251-6007	A/R	Rod ASM Incl #10 11 0.50
17	13001-2084	1	Piston
17	13029-2019	A/R	Piston 0.25
17	13029-2020	A/R	Piston 0.50
18	92033-2066	2	Ring-Snap
19	13008-6001	1	Set-Ring Piston
19	13008-6002	A/R	Set-Ring Piston 0.25
19	13008-6003	A/R	Set-Ring Piston 0.50
20	13002-2066	1	Pin-Piston

Engine Kawasaki Model FB460V Type LS08. Obtain Parts from Kawasaki.

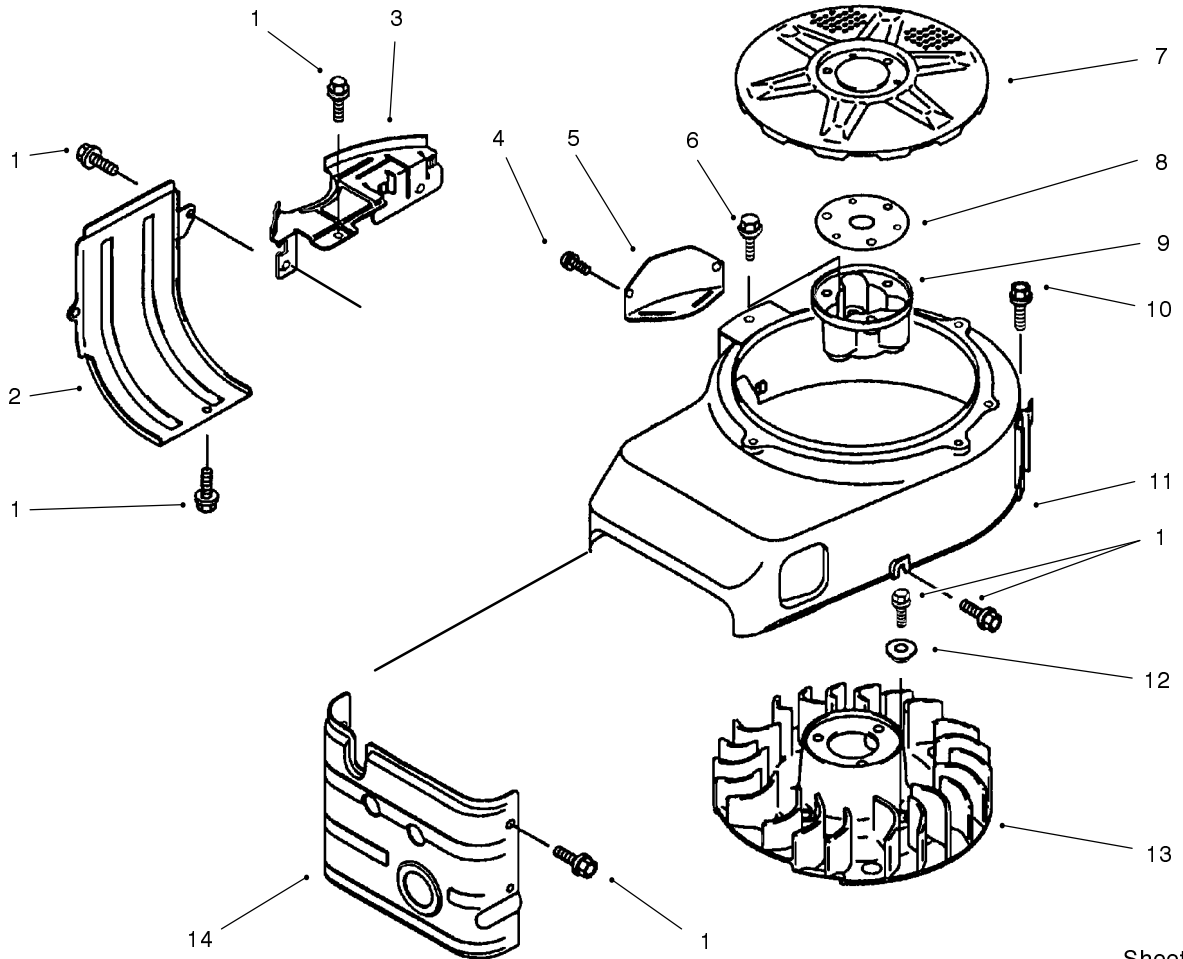


Sheet No.: 204

Lubrication Equipment

Ref. No.	Part No.	Qty.	Description	Ref. No.	Part No.	Qty.	Description
1	11009-2175	1	Gasket				
2	11009-2346	1	Gasket-Oil Gauge				
3	13169-2359	1	Plate				
4	13270-2054	1	Plate				
5	16082-2057	1	Pump Assy-Oil				
6	16142-6001	1	Cover-Pump				
7	23062-6001	1	Bracket-Comp				
8	49065-2056	1	Filter-Oil				
9	49065-2071	1	Filter-Oil				
10	52005-2058	1	Gauge-Oil				
11	59231-2059	1	Filler				
12	92055-2063	1	Ring-O				
13	92066-2093	1	Plug				
14	92066-2211	1	Plug				
15	92081-2216	1	Spring				
16	92170-2014-9H	1	Clamp				
17	130B0508	3	Bolt-Flanged				
18	130B610	1	Bolt-Flanged				
19	130G0825	3	Bolt-Flanged				
20	130G0845	2	Bolt-Flanged				
21	600A1000	1	Ball-Steel				
22	670D1507	1	O Ring				
23	670D2016	1	O Ring				

Engine Kawasaki Model FB460V Type LS08. Obtain Parts from Kawasaki.

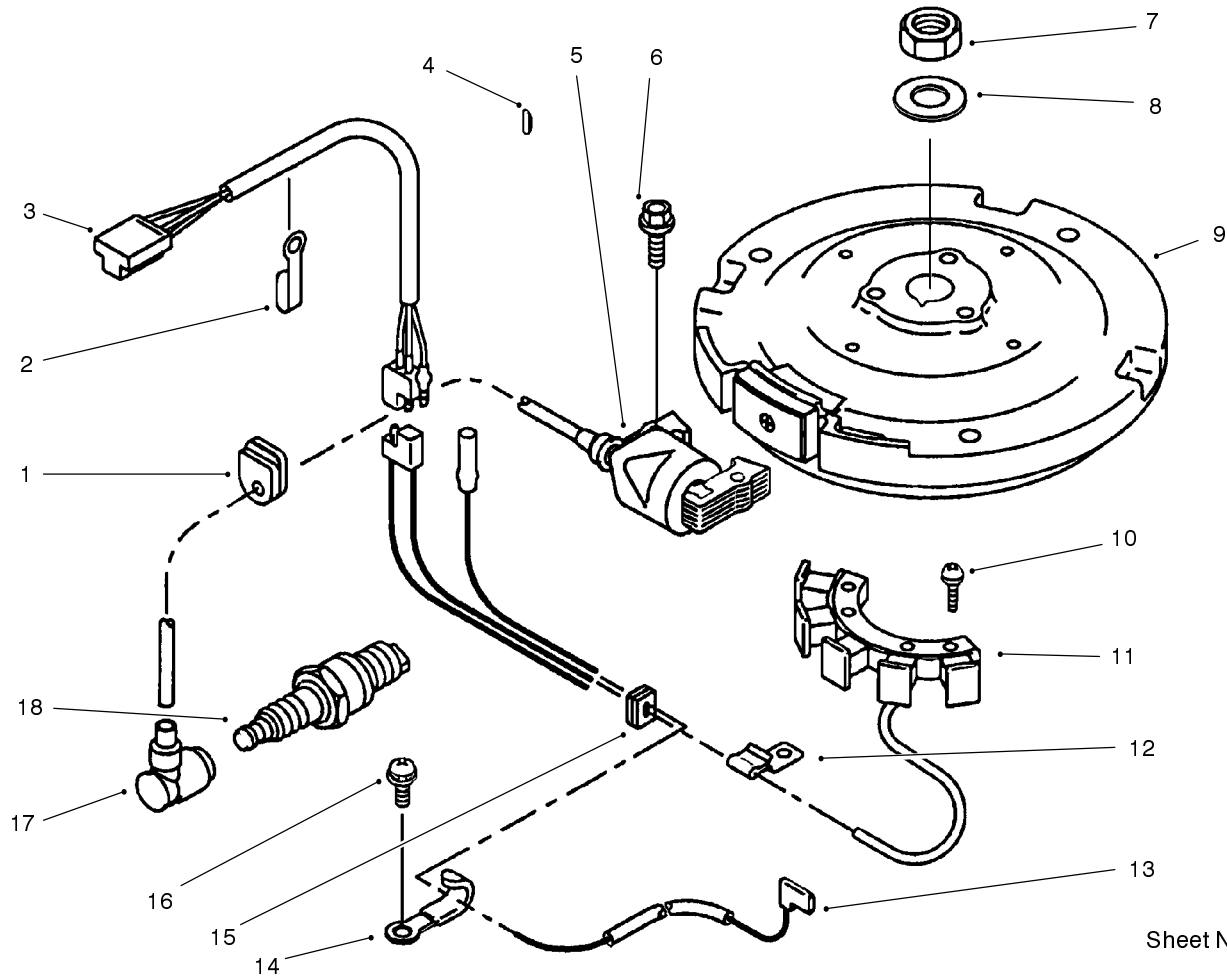


Sheet No.: 205

Cooling Equipment

Ref. No.	Part No.	Qty.	Description	Ref. No.	Part No.	Qty.	Description
1	130g0610	9	Bolt-Flange				
2	49089-2199-9H	1	Shroud-Engine				
3	59066-2295-9H	1	Housing-Fan				
4	234b0408	2	Screw				
5	14024-2038-9H	1	Cover				
6	130b0820	3	Bolt-Flange				
7	14037-2104-9H	1	Screen				
8	92025-2003	1	Shim T-1.20				
9	11044-2084	1	Bracket				
10	130go614	6	Bolt-Flange				
11	59066-2677-9H	1	Housing-Fan				
12	92143-2179	4	Collar				
13	59041-2081	1	Fan				
14	49089-2181-9H	1	Shroud-Engine				

Engine Kawasaki Model FB460V Type LS08. Obtain Parts from Kawasaki.

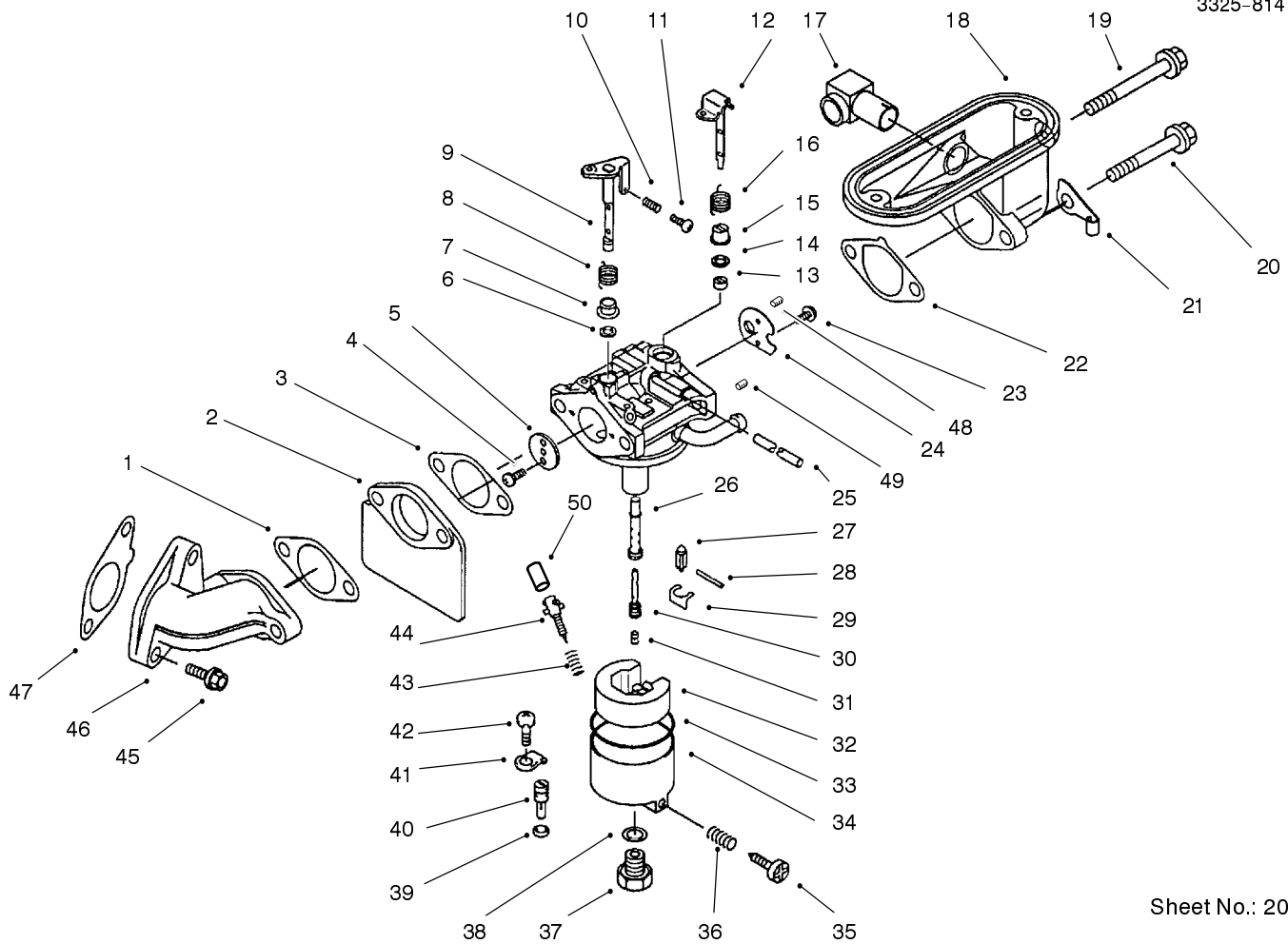


Sheet No.: 206

Electric Equipment

Ref. No.	Part No.	Qty.	Description	Ref. No.	Part No.	Qty.	Description
1	92071-2100	1	Grommet				
2	92037-2063	1	Clamp				
3	26001-2113	1	Harness-Wire				
4	92038-2094	1	Key				
5	21121-2086	1	Coil-Ignition				
6	130b0520	2	Bolt-Flange				
7	314g1800	1	Nut-Hex				
8	92022-2178	1	Washer				
9	21194-2323	1	Flywheel				
10	224b0620	2	Screw				
11	59031-2106	1	Coil-Charging				
12	92037-2158	1	Clamp				
13	26011-2329	1	Wire-Lead				
14	92170-2029	1	Clamp				
15	92071-2099	1	Grommet				
16	234b0408	1	Screw				
17	21130-2060	1	Cap-Spark Plug				
18	92070-2101	1	Spark Plug-Rcj8				

Engine Kawasaki Model FB460V Type LS08. Obtain Parts from Kawasaki.



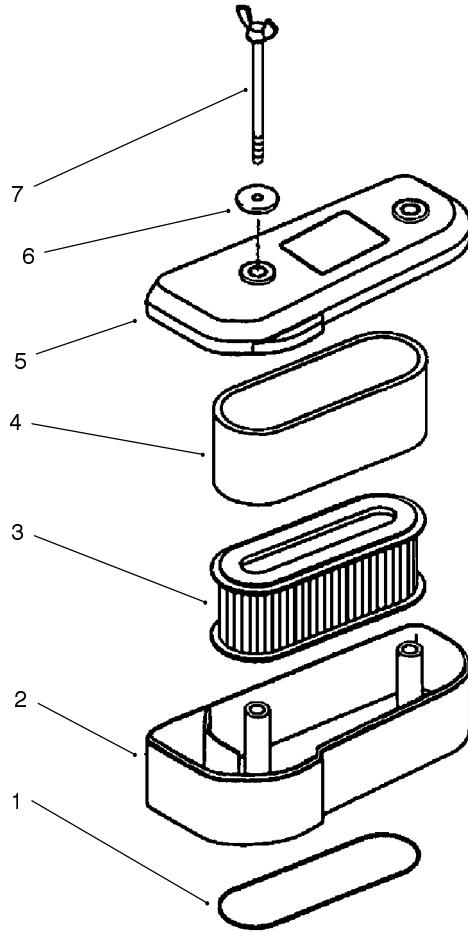
Sheet No.: 208

Carburetor

Ref. No.	Part No.	Qty.	Description
0	15003-2467	1	Carburetor ASM
1	11060-2338	1	Gasket-Intake Pipe
2	16073-2091	1	Insulator
3	11060-2339	2	Gasket-Carburetor
4	92009-2080	2	Screw
5	16025-2141	1	Valve-Throttle #110
6	92093-2082	1	Seal
7	92027-2025	1	Collar
8	92081-2077	1	Spring
9	16041-2009	1	Shaft-Throttle
10	92081-2046	1	Spring
11	92009-2079	1	Screw
12	16041-2010	1	Shaft-Choke
13	92027-2003	1	Collar
14	92093-2069	1	Seal
15	92143-2142	1	Collar
16	92144-2160	1	Spring
17	59071-2062	1	Joint
18	16060-2108	1	Pipe-Intake
19	92002-2254	1	Bolt
20	92002-2253	1	Bolt
21	92170-2019	1	Clamp
22	11009-2025	1	Gasket
23	92009-2081	2	Screw
24	16126-2206	1	Valve-Choke
25	92059-2266	1	Tube

Ref. No.	Part No.	Qty.	Description
26	49121-2207	1	Nozzle-Main
27	16030-2073	1	Valve-Float
28	92043-2006	1	Pin
29	92033-2067	1	Ring-Snap
30	49123-2078	1	Holder-Main Jet
31	92063-2294	1	Jet-Main
32	16031-2066	1	Float
33	11009-2024	1	Gasket
34	16020-2109	1	Chamber-Float Incl 35 36
35	92009-2015	1	Screw
36	92081-2009	1	Spring
37	92150-2146	1	Bolt
38	1100a-2025	1	Gasket
39	16038-024	1	Gasket
40	92064-2108	1	Jet-Pilot
41	13183-2252	1	Plate
42	92009-2244	1	Screw
43	92081-2008	1	Spring
44	16014-2076	1	Screw-Pilot Air
45	130g0825	2	Bolt-Flange
46	16060-2109	1	Pipe-Intake
47	11060-2337	1	Gasket-Intake Pipe
48	16035-2063	1	Jet-Air #0.9
49	16035-2051	1	Jet-Air #1.4
50	39076-2053	1	Limitter

Engine Kawasaki Model FB460V Type LS08. Obtain Parts from Kawasaki.

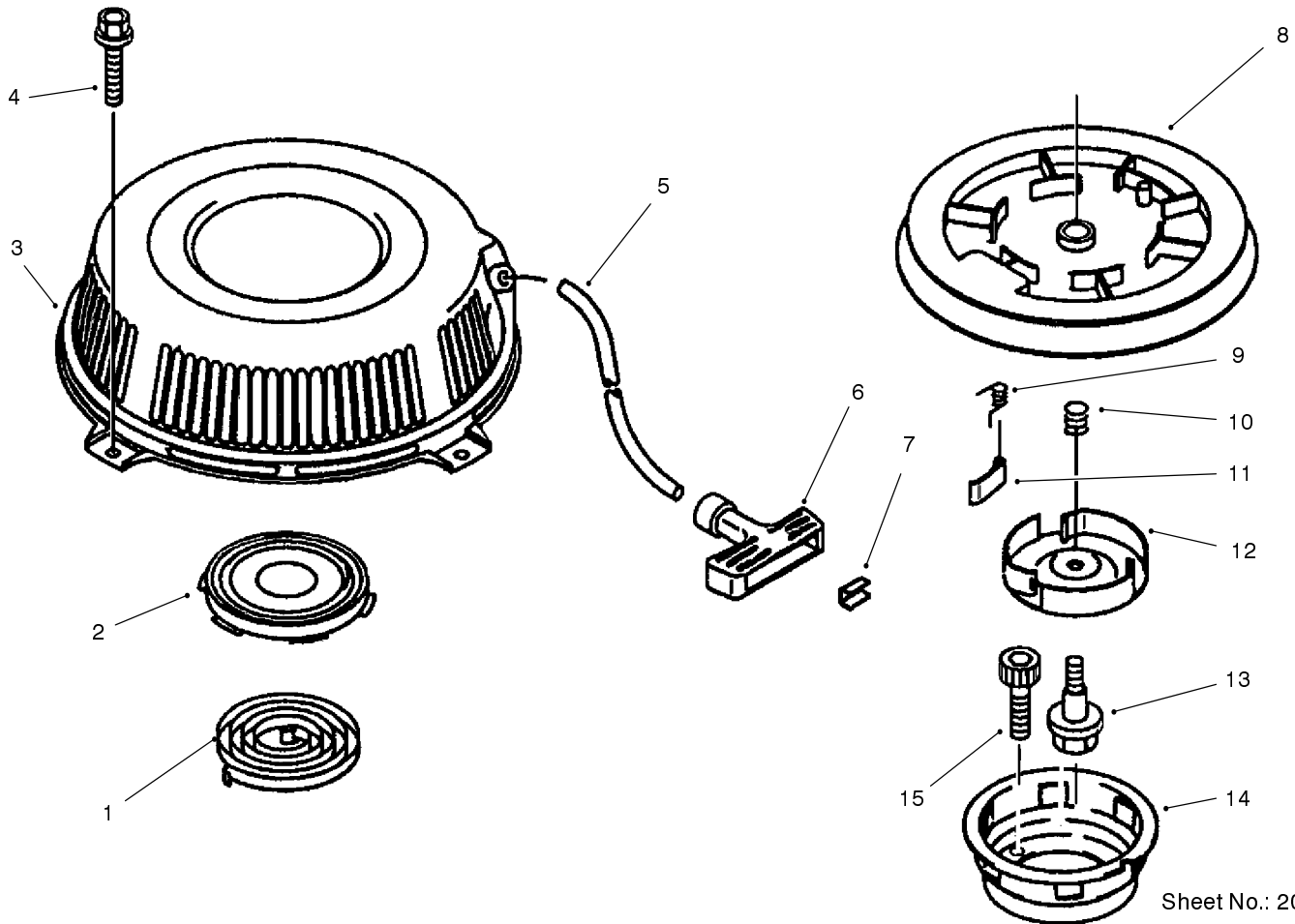


Sheet No.: 210

Air Filter

Ref. No.	Part No.	Qty.	Description	Ref. No.	Part No.	Qty.	Description
1	11009-2443	1	Gasket-Air Filter				
2	11011-2174	1	Case-Air Filter				
3	11013-2021	1	Element-Air Filter				
4	11013-2020	1	Element-Air Filter				
5	11012-2192	1	Cap-Air Filter				
6	92022-2220	2	Washer				
7	92002-2230	2	Bolt				
	11010-2291	1	Filter ASM				

Engine Kawasaki Model FB460V Type LS08. Obtain Parts from Kawasaki.



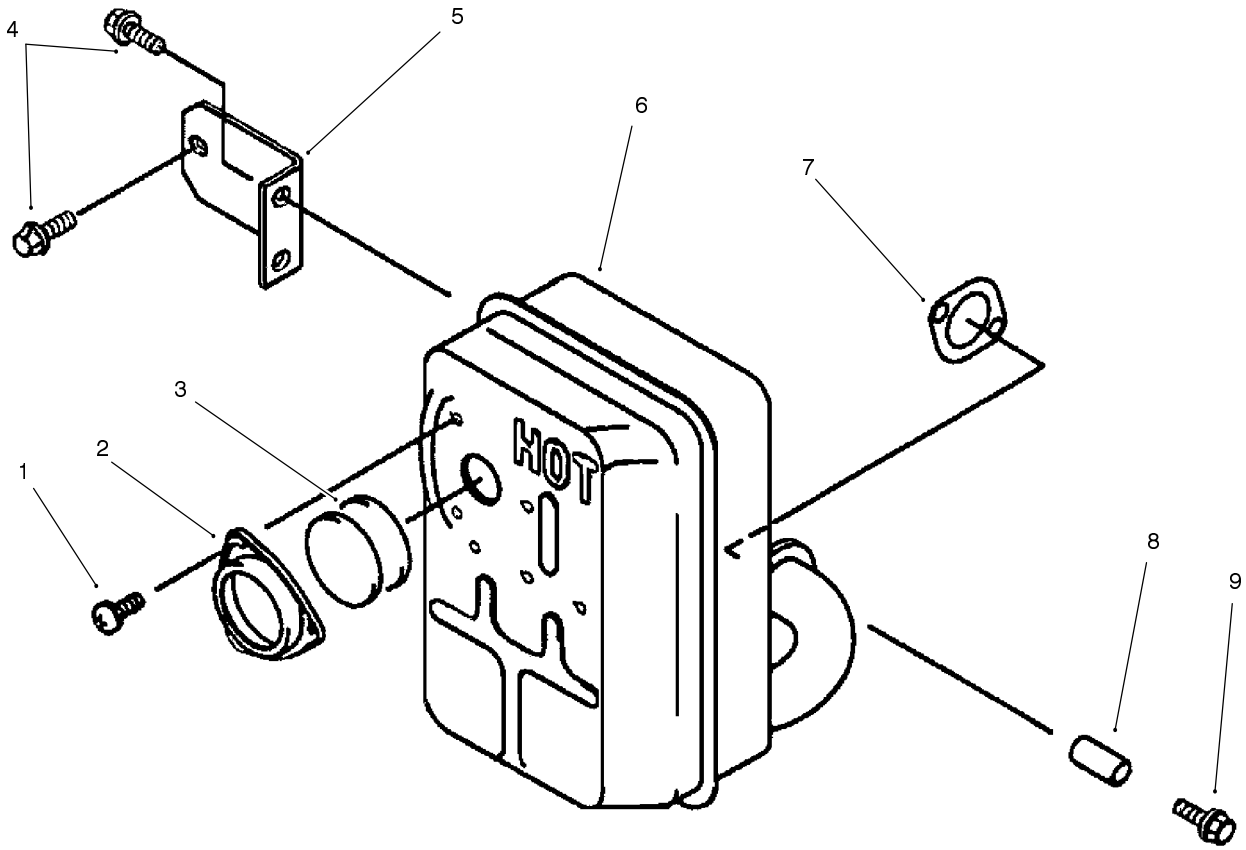
Sheet No.: 209

Starter

Ref. No.	Part No.	Qty.	Description
1	90281-2267	1	Spring-Recoil
2	32099-2060	1	Case-Spring
3	32099-2239-yk	1	Case-Recoil Starter
4	130b0610	4	Bolt-Flange
5	59106-2060	1	Rope-Starter
6	46075-2059	1	Grip-Starter Rope
7	92022-2248	1	Washer
8	59101-2054	1	Reel-Recoil Starter
9	92081-2021	3	Spring
10	92081-2268	1	Spring-Return
11	13165-2073	3	Pawl-Recoil Starter
12	14020-2054	1	Retainer-Recoil
13	92001-2027	1	Bolt
14	49080-2144	1	Pulley-Starting
15	120p0620	3	Bolt-Socket
16	49088-2412-yk	1	Starter Incl #1-5 8-14

Ref. No.	Part No.	Qty.	Description

Engine Kawasaki Model FB460V Type LS08. Obtain Parts from Kawasaki.



Sheet No.: 211

Muffler

Ref. No.	Part No.	Qty.	Description
1	92009-2166	2	Screw
2	11012-2165-9Y	1	Cap-Spark Arrestor
3	18077-2054	2	Arrestor-Spark
4	130b0812	4	Bolt-Flange
5	11044-2069-9Y	1	Bracket
6	49069-2190-9Y	1	Muffler ASM
7	11009-2527	1	Gasket-Muffler
8	92027-2081	1	Collar
9	130g0845	1	Bolt-Flange

Ref. No.	Part No.	Qty.	Description

Engine Kawasaki Model FB460V Type LS08. Obtain Parts from Kawasaki.

