



## Hydraulic Hose Replacement Kit

Greensmaster 3000, 3000D, 3100, and 3050

Part No. 98-0642

Installation  
Instructions

### Warning



Hydraulic fluid escaping under pressure can penetrate skin and cause injury.

- Make sure all hydraulic fluid hoses and lines are in good condition and all hydraulic connections and fittings are tight before applying pressure to the hydraulic system.
- Keep your body and hands away from pin hole leaks or nozzles that eject high pressure hydraulic fluid.
- Use cardboard or paper to find hydraulic leaks.
- Safely relieve all pressure in the hydraulic system before performing any work on the hydraulic system.
- Get immediate medical help if fluid is injected into skin.

1. Stop the engine and lower the cutting units to the ground. Remove the key.
  2. Using Figure 1, locate and remove the hoses that need to be replaced.
- Note:** When replacing old hoses, remove them one at a time and remember how they were routed through the components in the machine.
3. Replace old hoses with the appropriate new hose. The length of each new hose is shown in Figure 1.

**Important** Review the Toro Hose Servicing Manual, Form No. 94-813SL, for proper routing practices and installation techniques.

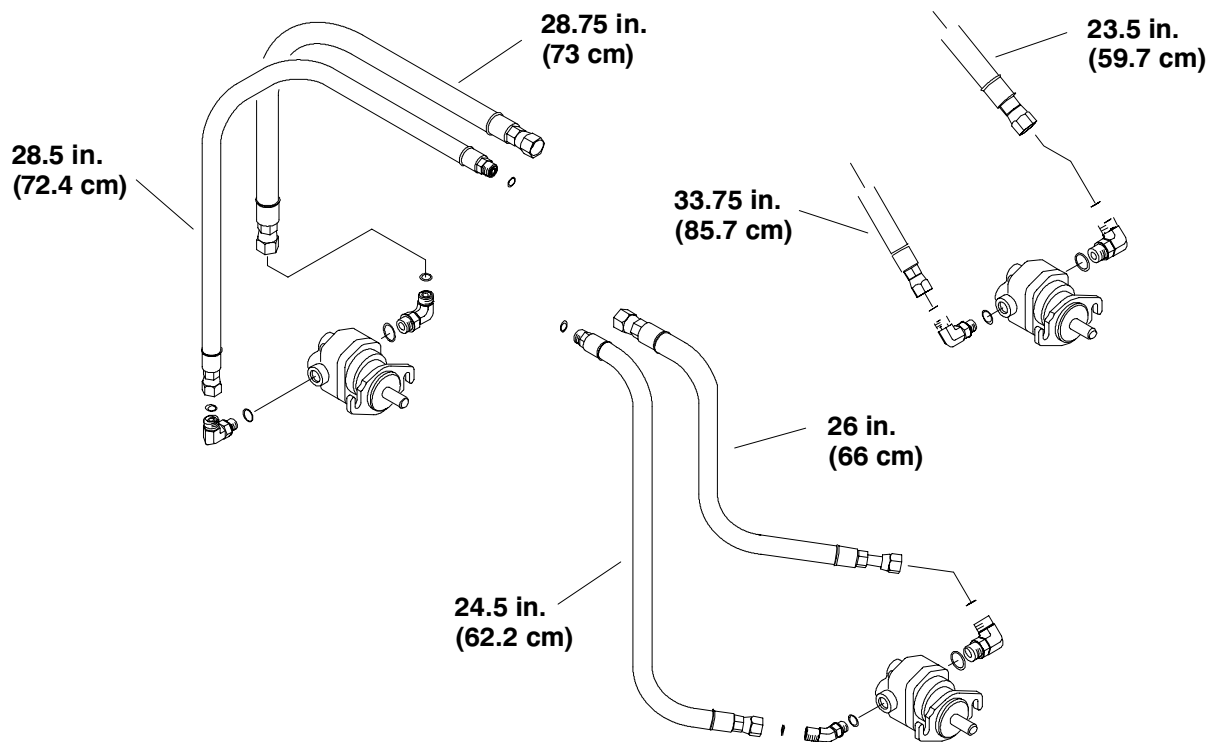


Figure 1