



## **8- and 11-Blade Cutting Units Greensmaster® 3250-D**

Model No. 04472—210000001 and Up

Model No. 04473—210000001 and Up

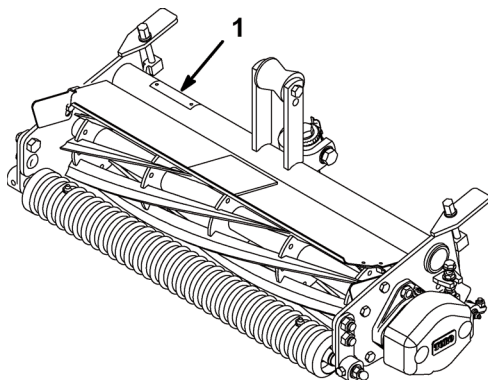
# Contents

|  |      |
|--|------|
| Contents                               | Page |
| Contents                               | 2    |
| Introduction                           | 2    |
| Optional Equipment                     | 2    |
| Adjusting the Cutting Units            | 3    |
| Adjusting the Bedknife to the Reel     | 3    |
| Choosing Cutting Unit Attitude         | 4    |
| Leveling the Front Roller to the Reel  | 4    |
| Adjusting the Height of the Top Shield | 5    |
| Adjusting the Top Bar                  | 5    |
| Adjusting the Height of Cut            | 5    |
| Operation                              | 6    |
| Cutting Unit Characteristics           | 6    |
| Cutting Unit Daily Adjustments         | 6    |
| Maintenance                            | 6    |
| Greasing Bearings and Bushings         | 6    |
| Backlapping the Cutting Units          | 7    |

## Introduction

Read this manual carefully to learn how to operate and maintain your product properly. The information in this manual can help you and others avoid injury and product damage. Although Toro designs and produces safe products, you are responsible for operating the product properly and safely.

Whenever you need service, genuine Toro parts, or additional information, contact an Authorized Service Dealer or Toro Customer Service and have the model and serial numbers of your product ready. Figure 1 illustrates the location of the model and serial numbers on the product.



**Figure 1**

1. Location of the model and serial numbers

Write the product model and serial numbers in the space below:

|   |
|---|
| <b>Model No.</b> _____<br><br><b>Serial No.</b> _____ |
|---|

This manual identifies potential hazards and has special safety messages that help you and others avoid personal injury and even death. **Danger, Warning,** and **Caution** are signal words used to identify the level of hazard. However, regardless of the hazard, be extremely careful.

**Danger** signals an extreme hazard that will cause serious injury or death if you do not follow the recommended precautions.

**Warning** signals a hazard that may cause serious injury or death if you do not follow the recommended precautions.

**Caution** signals a hazard that may cause minor or moderate injury if you do not follow the recommended precautions.

This manual uses two other words to highlight information. **Important** calls attention to special mechanical information and **Note:** emphasizes general information worthy of special attention.

## Optional Equipment

|  |                        |
|--|------------------------|
| Extended Micro Cut Bedknife                                      | Part No. 104- 7720     |
| Lo-Cut Bedknife  | Part No. 93- 4264      |
| High-Cut Bedknife  | Part No. 94- 6392      |
| Fairway Bedknife   | Part No. 94- 6393      |
| 5-Blade Heavy Duty   | Reel Part No. 98- 2181 |
| 8-Blade Heavy Duty   | Reel Part No. 98- 2182 |
| High Height of Cut   | Kit Part No. 99- 1496  |
| Wiehle Rear Roller   | Model No. 04488        |
| Rear Roller Scraper  | Kit Part No. 95- 1600  |
| Groomer  | Model No. 04485        |
| Rear Roller Brush Kit ( for use<br>with Groomer Model No. 04485) | Model No. 04491        |
| Rear Roller Brush Kit  | Model No. 04489        |
| Front Roller Scraper/Brush                                       | Part No. 104- 7731     |
| Full Roller Assembly   | Part No. 104-2642      |

**Note:** Specifications and design subject to change without notice.

# Adjusting the Cutting Units

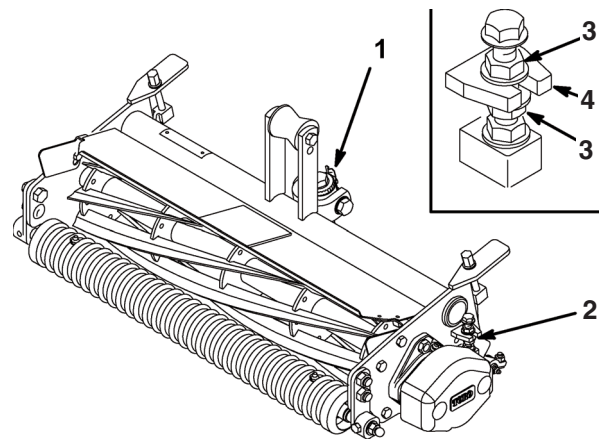
**Note:** Determine the left and right sides of the machine from the normal operating position.

After the cutting unit is unboxed, use the following procedures to assure the cutting units are adjusted properly.

1. Check each end of the reel for grease. Grease should be visibly evident in the reel bearings.
2. Insure that all nuts and bolts are securely fastened.
3. Position the lift roller to match suspension.
  - Upper position for standard transport height
  - Lower position for increased transport height
4. Check to make sure the bedknife and reel are parallel. Refer to *Adjusting The Bedknife To The Reel*.

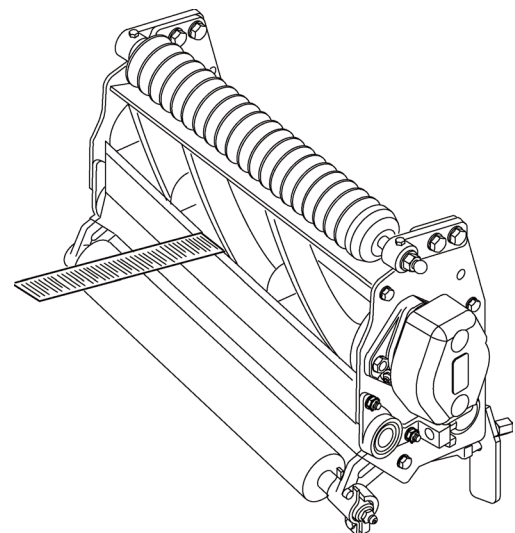
## Adjusting the Bedknife to the Reel

1. Remove the cutting units from the traction unit and position them on a level work surface.
2. Make sure reel contact is removed by turning the bedknife adjustment knob counterclockwise (Fig. 2)
3. On either end of the front side of the reel, insert a long strip of newspaper between the reel and the bedknife. While slowly rotating the reel forward, turn the bedknife adjusting knob clockwise, on click at a time, until paper is pinched lightly, which results in a slight drag while paper is pulled.



**Figure 2**

1. Bedknife Adjustment knob
2. Left-hand bedbar pivot housing
3. Flange nuts
4. Frame tab



**Figure 3**

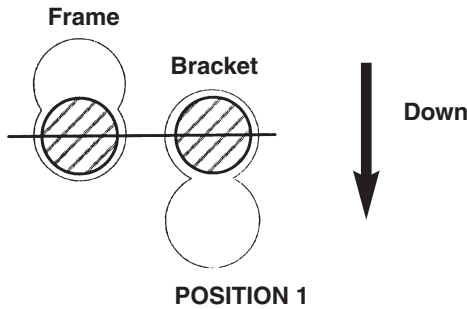
4. Loosen the locknuts retaining the left-hand bedbar pivot housing.
5. Rotate the flange nuts (Fig 2, inset) on the top and bottom of the frame tab, clockwise or counterclockwise to raise or lower the end of the bedbar, as required. Do not loosen the bottom flange nut. Tighten the flange nuts against the frame tab when you achieve the desired adjustment..
6. Check adjustments by repeating steps 2 and 3.
7. When light contact on the paper is evident at each end of the bedknife, securely tighten the locknuts retaining the pivot housing.

# Choosing Cutting Unit Attitude

There are four positions for the front roller brackets.

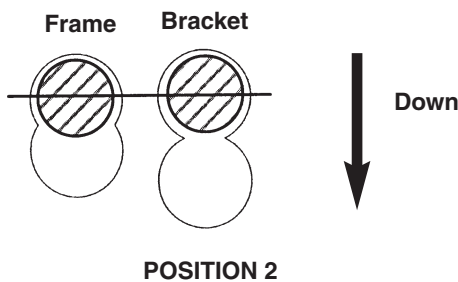
**Position 1:** Least aggressive; use for very soft and tender turf.

Height-of-cut range: 2.4mm–21,3mm



**Position 2:** Standard position; use for most conditions.

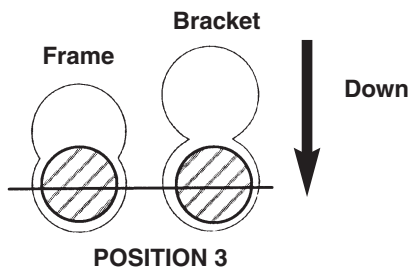
Height-of-cut range: 2.4mm–18,7mm



**Note:** The top frame hole and top bracket hole will yield position 2 (standard position).

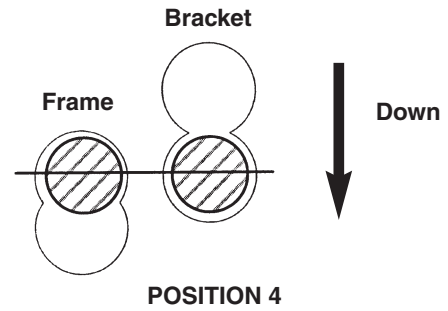
**Position 3:** More aggressive; use on firm turf or higher height of cuts.

Height-of-cut range: 2.4mm–15,3mm



**Position 4:** Most aggressive; use only on very firm greens or at the higher heights of cut.

Height-of-cut range: 2.4mm–12,3mm



**Note:** A more aggressive setting will increase grass removal and provide a cleaner cut, but may cause increased scalping and marking.

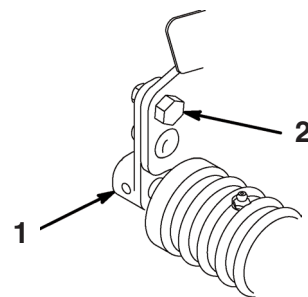
**Note:** A more aggressive setting will be required to compensate for reel wear.

## Leveling the Front Roller to the Reel

1. Position the cutting unit on a flat, level surface.
2. Position a 6 mm or thicker plate under the reel blades and against the front face of the bedknife.

**Note:** Be sure the plate covers the full length of the reel blades and three blades contact the plate.

3. Loosen the locknuts retaining the right-front roller bracket (Fig. 4).



**Figure 4**

1. Right front roller bracket
2. Upper right roller mounting bolt

4. While holding the reel securely on the plate and maintaining pressure on the front roller, rotate the upper right roller mounting bolt (Fig. 4). This mounting bolt has an offset, which when rotated, acts as an eccentric (cam) to raise or lower the roller. On the bolt head there is an internal diameter dot which denotes the offset of the bolt.

The dot indicates in which direction the right end of the roller moves when the bolt is turned.

**Note:** If additional adjustment is required, replace one screw on the left-hand bracket with another bolt, part no. 93-2573. Make sure that both front roller brackets are in the same hole.

5. To verify whether the roller is level, try inserting a piece of paper under each end of the roller.
6. When the roller is level, tighten the nuts securely.

## Adjusting the Height of the Top Shield

1. Loosen the capscrews and nuts securing the shield to each side plate.
2. Adjust the shield to the desired position and secure the fasteners
3. Repeat the procedure on the remaining cutting units and adjust the top bar.

**Note:** The shield can be raised for extreme wet conditions.

## Adjusting the Top Bar

Adjust the top bar, under the rear shield, to assure clippings are cleanly discharged from the reel area.

1. Loosen the screws securing the top bar. Insert a 1.5mm feeler gauge between the top of the reel and the bar and tighten the screws. Assure the bar and reel are equal distance apart across the complete reel.
2. Repeat adjusting the settings on the remaining cutting units.

**Note:** The bar is adjustable to compensate for changes in turf conditions. It should be adjusted closer to the reel when the turf is extremely wet. By contrast, adjust the bar further away from the reel when turf conditions are dry. The bar should be adjusted whenever you change the top shield height.

## Adjusting the Height of Cut

1. Verify that the front roller is level and the bedknife-to-reel contact is correct.

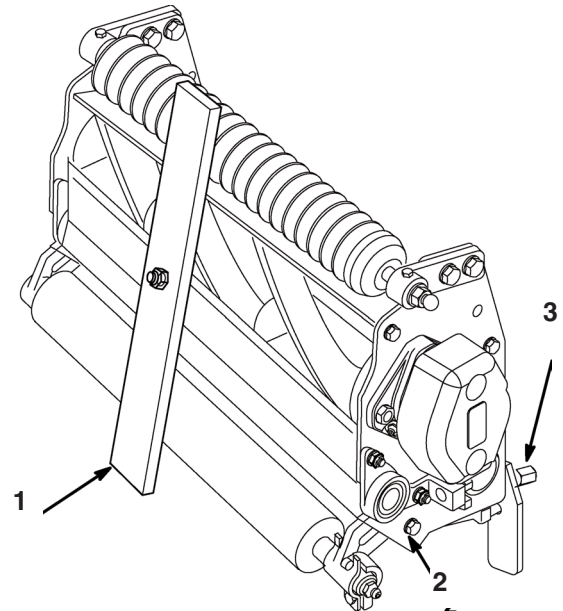


Figure 5

1. Gauge bar
2. Roller bracket bolt
3. Height-of-cut knob

2. Turn the cutting unit over (90°) and rest it on the rear roller and top rear tabs. Loosen the locknuts on the bolts that retain the rear roller brackets (Fig. 5).
3. On a gauge bar (Part no. 13-8199), set the head the screw to the desired height of cut (Fig. 5). This measurement is from the bar face to the underside of the screw head.
4. Place the bar across the front and rear rollers and adjust the height-of-cut knob (Fig. 5) until the underside of the screw head engages the bedknife cutting edge.

**Important:** Repeat the procedure on each end of the bedknife and tighten locknuts that retain rear roller brackets on each end.

**Note:** Cutting units will deliver differing effective heights of cut, depending on their configuration. In fact, effective cutting height may be influenced by the following factors; turf conditions, roller profiles, cutting unit attitude, cutting unit accessories, weight

of the cutting units and bedknife profile. Therefore, bench setting a cutting unit does not equal the effective (actual) height of cut you achieve. You must determine how to adjust your cutter on the bench to achieve a comparable height of cut to a cutting unit of a different configuration, model, or brand.

## Operation

**Note:** Determine the left and right sides of the machine from the normal operating position.

## Cutting Unit Characteristics

The single-knob bedknife-to-reel adjustment system incorporated in this cutting unit simplifies the adjustment procedure needed to deliver optimum mowing performance. The precise adjustment possible with the single knob/bedbar design gives the necessary control to provide a continual self-sharpening action, thus maintaining sharp cutting edges, assuring good quality of cut, and greatly reducing the need for routine backlapping.

## Cutting Unit Daily Adjustments

Prior to each day's mowing, or as required, each cutting unit must be checked to verify proper bedknife-to-reel contact. **This must be performed even though quality of cut is acceptable.**

1. Lower the cutting units onto a hard surface, shut of the engine and remove the key from the ignition.
2. Slowly rotate the reel in reverse direction, listening for reel-to-bedknife contact. If no contact is evident, turn the bedknife adjusting knob clockwise, one click at a time, until light contact is felt and heard.
3. If excessive contact is felt, turn the bedknife adjusting knob counterclockwise, one click at a time until no contact is evident. Then turn the bedknife adjusting knob one click at a time clockwise, until light contact is felt and heard.

**Important** : Light contact is preferred at all times. If light contact is not maintained, bedknife / reel edges will not sufficiently self-sharpen and dull cutting

edges will result after a period of operation. If excessive contact is maintained, bedknife/reel wear will accelerate, uneven wear can result, and quality of cut may be adversely affected.

**Note:** As the reel blades continue to run against the bedknife, a slight burr will appear on the front cutting edge surface the full length of the bedknife. Running a file across the front edge to remove this burr will improve cutting.

After extended running, a ridge will eventually develop at both ends of the bedknife. These notches must be rounded off or filed flush with the cutting edge of the bedknife to assure smooth operation.

## Maintenance

**Note:** Determine the left and right sides of the machine from the normal operating position.

## Greasing Bearings and Bushings

Each cutting unit has (7) grease fittings that must be lubricated regularly with No. 2 general purpose lithium-base grease.

1. The grease fitting locations and quantities are:  
Reel bearings (2) and front and rear rollers (2 ea.) (Fig. 6).

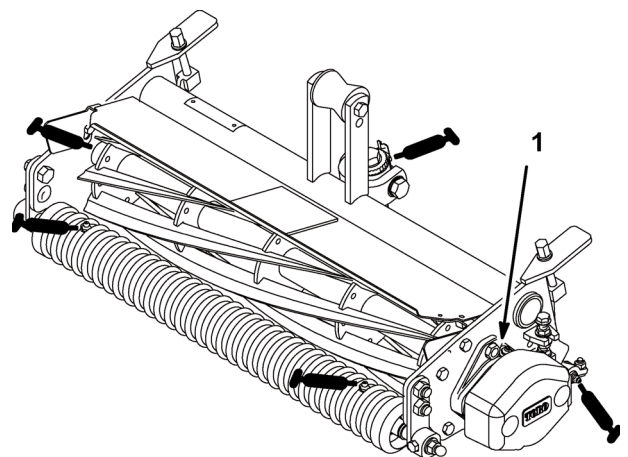


Figure 6



**Important** : Lubricating the cutting units immediately after washing helps purge water from the bearings and increases bearing life.

2. Wipe each grease fitting with a clean cloth
3. Apply grease until pressure is felt against the handle.

**Important** : Do not apply too much pressure or grease seals will be permanently damaged.

4. Wipe away excess grease.

## Backlapping the Cutting Units

|  |                |   |
|--|----------------|---|
|   | <b>CAUTION</b> |  |
| <p>Contact with the reels or other moving parts can result in personal injury.</p> <p>Keep fingers, hands, and clothing away from the reels or other moving parts.</p> |                |   |

1. Position the machine on a clean, level surface, lower the cutting units, stop the engine, engage the parking brake and remove the key from the ignition switch.
2. Remove the reel motors from the cutting units and disconnect and remove the cutting units from the lift arms.
3. Connect the backlapping machine to the cutting unit by inserting a piece of 9mm square stock into the splined coupling at the right end of the cutting unit.

**Note:** Additional instructions and procedures on backlapping are available in the TORO Sharpening Reel & Rotary Mowers Manual Form No. 80-300PT.

**Note:** For a better cutting edge, run a file across the front face of the bedknife after completing the lapping operation. This will remove any burrs or rough edges that may have built up on the cutting edge.