



Z255

Z Master[®] SFS Side Discharge Mower

Model No. 74228—21000001 and Up

Parts Catalog

Ordering Replacement Parts

To order replacement parts, please supply: the part number, the quantity, and the description of each part desired.

Understanding Reference Numbers

Each identified part in an illustration has a reference number. The reference number for a part also appears in the parts list, along with other information about the part.

This catalog uses two special reference number formats, one to indicate parts in a service assembly and another to indicate the quantity of a given part in an illustration.

Service Assembly Reference Numbers

Parts in service assemblies have reference numbers in the form **a:b**. The **a** represents the reference number of the entire service assembly and the **b** represents a sequential number unique to each part within the service assembly.

For example, a wheel assembly might be identified by reference number **6**, the tire by **6:1**, the valve by **6:2**, and the wheel by **6:3**. When you order the assembly identified by reference number **6**, you receive all parts identified by reference numbers **6:1**, **6:2**, and **6:3**. However, you may also order any part individually.

Reference numbers of this type appear in illustrations and in part lists.

Reference Numbers Indicating Quantity

In an illustration, if a reference number indicates more than one part, the reference number has the form **nX y**. The **n** represents the quantity of the part, the **X** is the multiplication symbol, and the **y** represents the reference number.

For example, in an illustration, the reference number **2X 37** means that two of the parts identified by reference number **37** are indicated.

Contents

Description	Page	Description	Page
Front Frame Assembly	4	Oil Pan/Lubrication Assembly	
Caster and Wheel Assembly	5	(Engine: Kohler CH25S PS–68606)	23
Rear Frame and Wheel Assembly	6	Head/Valve/Breather Assembly	
Brake and Wheel Hub Assembly	7	(Engine: Kohler CH25S PS–68606)	24
Control Panel Assembly	8	Ignition/Electrical Assembly	
Hydraulic System Assembly	9	(Engine: Kohler CH25S PS–68606)	25
Tank and Fuel Line Assembly	11	Blower Housing and Baffle	
Shield and Clutch Assembly	12	(Engine: Kohler CH25S PS–68606)	26
Idler Assembly	14	Starting System Assembly	
Electrical System Assembly	15	(Engine: Kohler CH25S PS–68606)	27
Frame and Deck Assembly	16	Fuel System Assembly	
Deck, Deflector and Wheels Assembly	17	(Engine: Kohler CH25S PS–68606)	28
Deck and Pulleys Assembly	18	Engine Controls Assembly	
Deck, Belts and Idler Arm Assembly	19	(Engine: Kohler CH25S PS–68606)	30
Stand Assembly	20	Air Intake/Filtration Assembly	
Crankshaft Assembly		(Engine: Kohler CH25S PS–68606)	31
(Engine: Kohler CH25S PS–68606)	21	Exhaust Assembly	
		(Engine: Kohler CH25S PS–68606)	32

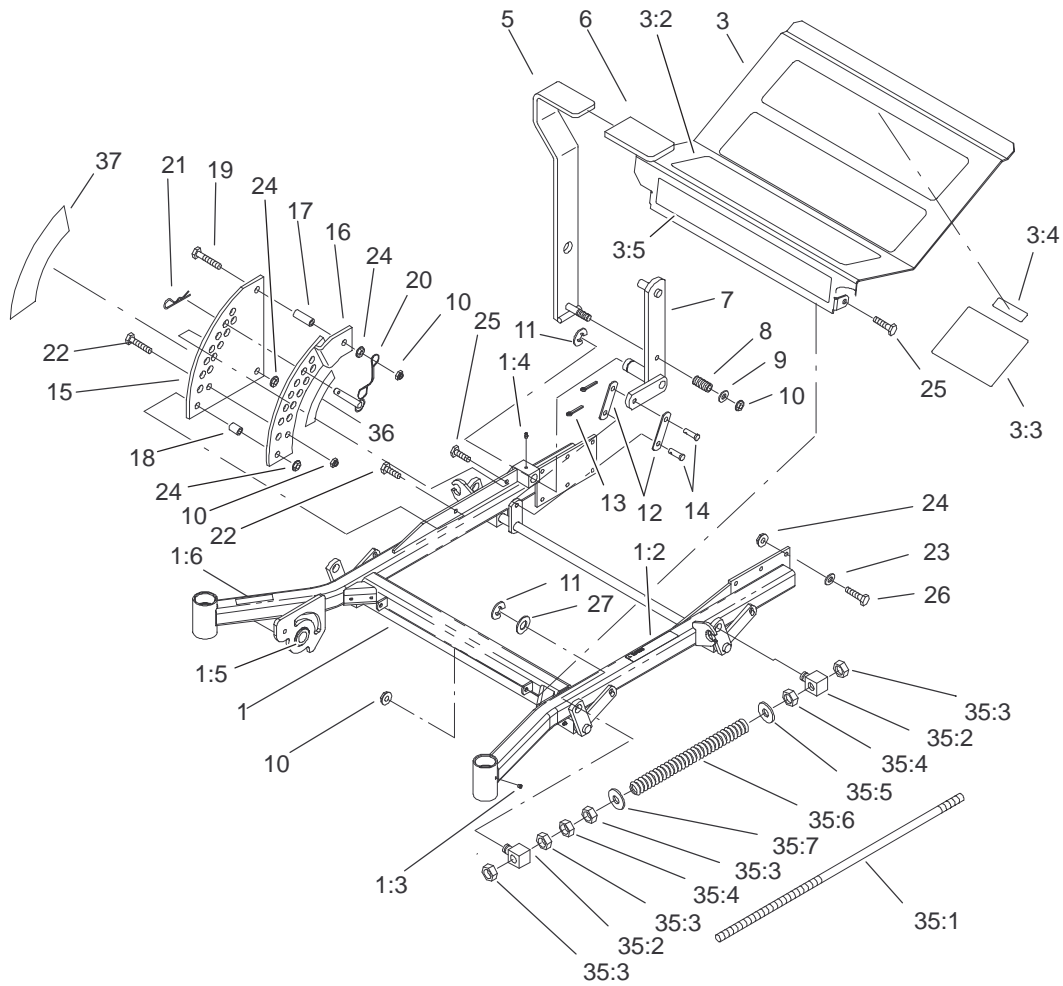
Accessories

Description	Model / Part No.	Description	Model / Part No.
Seat–Suspension, High	74210	Blade ASM–Atomic	104–1301
Foot Lift Assist	78473	Striping Kit	30121
ROPS Kit	78480	Recycler Kit	59225
Hitch Kit	99–8925	Mulching Kit	59227

Part Description Abbreviations

Part descriptions in this catalog may include the following abbreviations.

Abbreviation	Meaning	Abbreviation	Meaning
AR	as required	HYD	hydraulic
ASM	assembly	INC	incorporated
CARR	carriage	LH	left hand
DEG	degrees	NI	nylon insert
FH	flat head	PPH	Phillips pan head
GA	gauge	PTH	Phillips truss head
HF	hex flange	PTO	power take off
HH	hex head	RH	right hand
HHF	hex head flange	SFH	slotted fillister head
HLH	hex lag head	SHH	slotted hex head
HJ	hex jam	SQH	square head
HOC	height-of-cut	SHWH	slotted hex washer head
HS	hex socket	SPH	slotted pan head
HSBH	hex socket button head	SRH	slotted round head
HSFH	hex socket flat head	STD	standard
HSH	hex socket head	TAP	self tapping
HWH	hex washer head	TTH	Torx truss head
HWHTF	hex washer head thread forming	WH	wing head

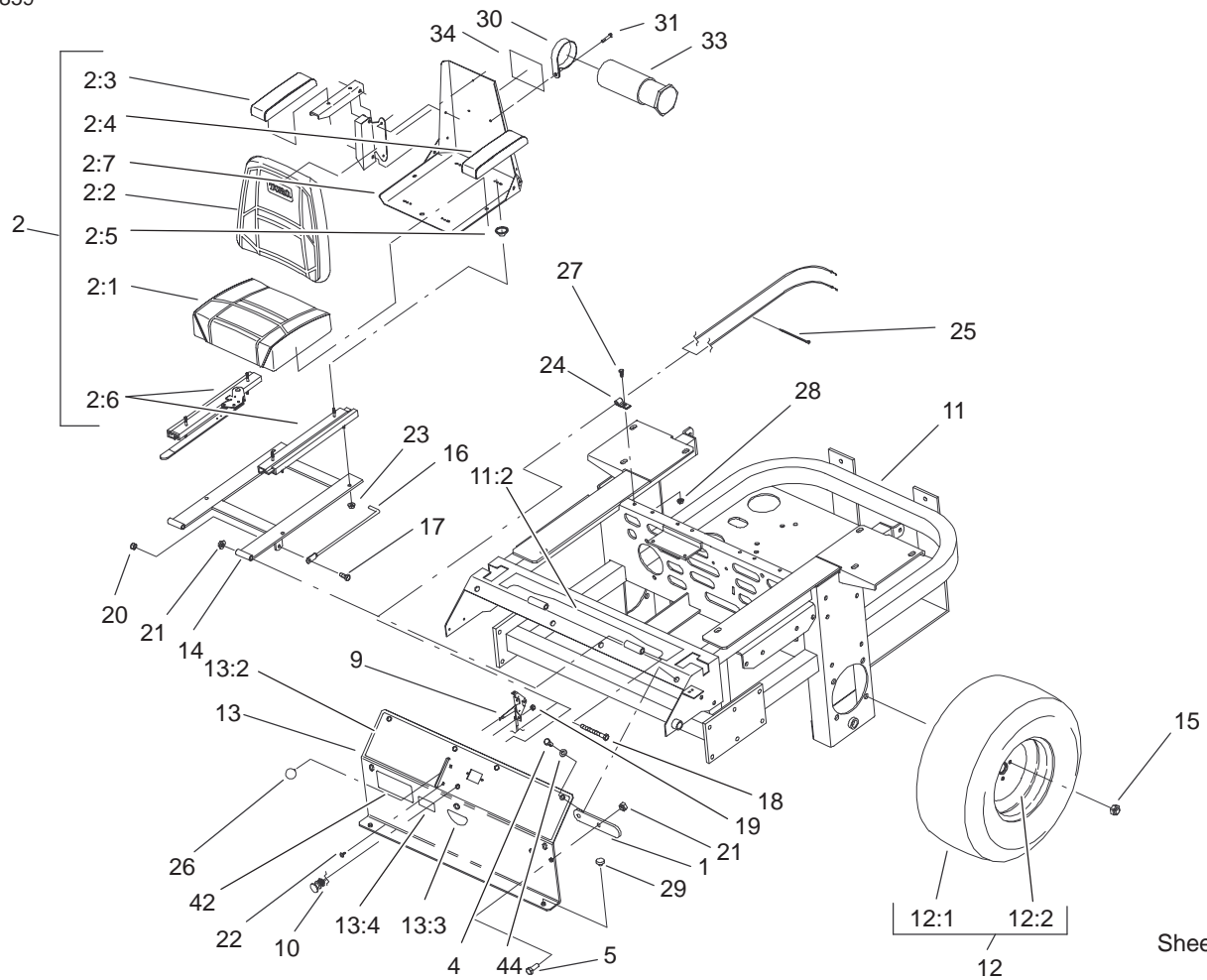


Sheet No.: 2

Front Frame Assembly

Ref. No.	Part No.	Qty.	Description
1	104-5131	1	Frame ASM W/ Decals - 52
1:2	1-633818	1	Decal-Warning
1:3	1-811010	2	Plug
1:4	302-19	5	Fitting-Grease
1:5	94-1291	2	Bushing-Special
1:6	104-7759	1	Decal-Warning
3	100-6509	1	Floorpan ASM
3:2	1-633553	3	Pad-Antiskid
3:3	1-633766	1	Decal-Check
3:4	98-5954	1	Decal-Missing, Cover
3:5	1-633737	1	Decal-Z-Master
5	1-632324-03	1	Lever-Lift
6	1-633295	1	Grip-Lever, Lift
7	1-632219-03	1	Arm-Lift, Deck
8	1-633325	1	Spring-Compression
9	3256-24	1	Washer-Flat
10	3296-39	5	Nut-Lock, NI
11	32151-103	5	Ring-Snap
12	1-633068	2	Arm-Lift, Deck
13	3272-10	2	Pin-Cotter
14	1-808284	2	Pin-Clevis
15	1-633889-01	1	Plate-Lift, Deck
16	1-632899-01	1	Plate-Lift, Deck
17	1-633082	1	Bushing-Lever, Lift
18	1-633080	1	Bushing-Lever, Lift

Ref. No.	Part No.	Qty.	Description
19	323-13	1	Screw-HH
20	1-633097	1	Pin-Hitch W/Lanyard
21	1-806005	1	Pin-Cotter, Hair
22	323-9	2	Screw-HH
23	98-5975	12	Washer-Belleville
24	3290-357	15	Nut-Flange, Lock
25	323-6	3	Screw-HH
26	323-7	12	Screw-HH
27	3256-29	4	Washer-Flat
35		2	Spring ASM
35:1	1-633096	1	Rod-Lift, Deck
35:2	1-633441	2	Swivel-Deck Mount, Rear
35:3	3217-11	4	Nut-Hex
35:4	3218-6	2	Nut-Jam
35:5	3256-7	1	Washer-Flat
35:6	1-653009	1	Spring-Compression
35:7	3256-27	1	Washer-Flat
36	1-633706	1	Decal-Height, Deck
37	1-633345	1	Decal-Height, Deck

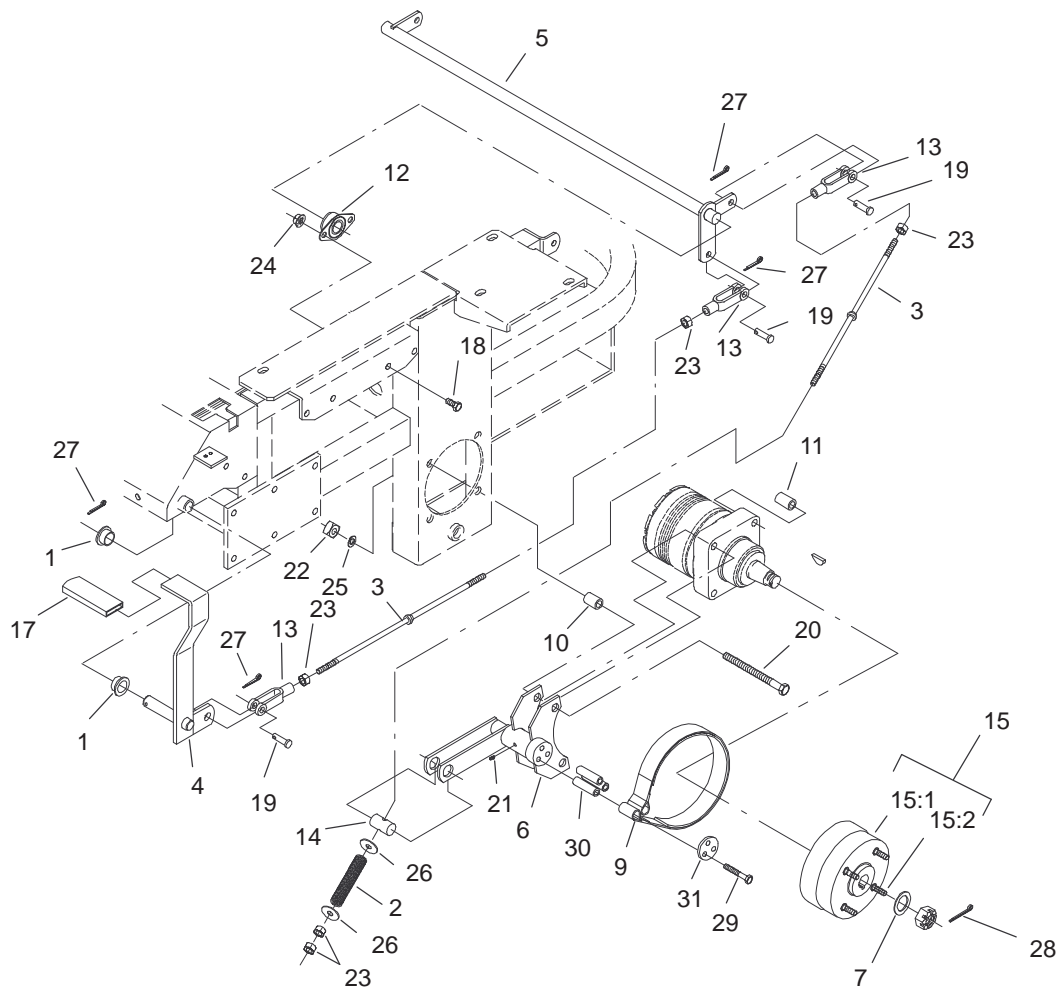


Sheet No.: 4

Rear Frame and Wheel Assembly

Ref. No.	Part No.	Qty.	Description
1	1-633964-03	1	Stop-Brake, Park
2	1-633705	1	Seat W/Tracks
2:1	103-0290	1	Cushion-Bottom, Seat
2:2	104-7754	1	Cushion-Back, Seat
2:3	1-633710	1	Cushion-Armrest, RH
2:4	1-633711	1	Cushion-Armrest, LH
2:5	1-543401	4	Spacer-Track
2:6	1-643255	1	Grp,Track Seat 4"
2:7	1-633859	1	Frame-Seat
4	322-3	6	Screw-HH
5	323-6	2	Screw-HH
9	1-633696	1	Cable-Throttle
10	1-603336	1	Control-Choke
11	100-4261	1	Rear Frame ASM
11:2	103-0245	1	Decal-Console, Top
12	1-653010	2	Wheel & Tire ASM
12:1	1-653160	1	Tire
12:2	1-653158	1	Wheel
13	99-4623	1	Console ASM
13:2	100-4311	1	Decal-Panel, Control
13:3	103-0262	1	Decal-Valve, Fuel
13:4	98-4387	1	Decal-Protection, Ear
14	1-632187-03	1	Frame-Seat
15	242-50	8	Nut-Lug
16	1-633293	1	Rod-Holdup, Seat
17	322-5	1	Screw-HH

Ref. No.	Part No.	Qty.	Description
18	323-39	2	Screw-HH
19	3296-2	2	Nut-Lock
20	3296-29	1	Nut-Lock
21	3296-39	4	Nut-Lock, NI
22	1-807513	2	Bolt-CARR
23	32128-20	4	Nut-HF
24	1-513762	1	Clip-Loom
25	1-303335	1	Tie-Plastic
26	1-513592	1	Knob-Ball, Red
27	321-4	1	Screw-HH
28	32128-33	1	Nut-HF
29	1-513658	2	Bumper-Catcher, Grass
30	2412-120	2	R-Clamp
31	32104-76	2	Screw
33	74-0720	1	Tube-Manual
34	99-4693	1	Decal-Toro
42	1-633736	1	Decal-Toro, Z255
44	3256-23	6	Washer-Flat

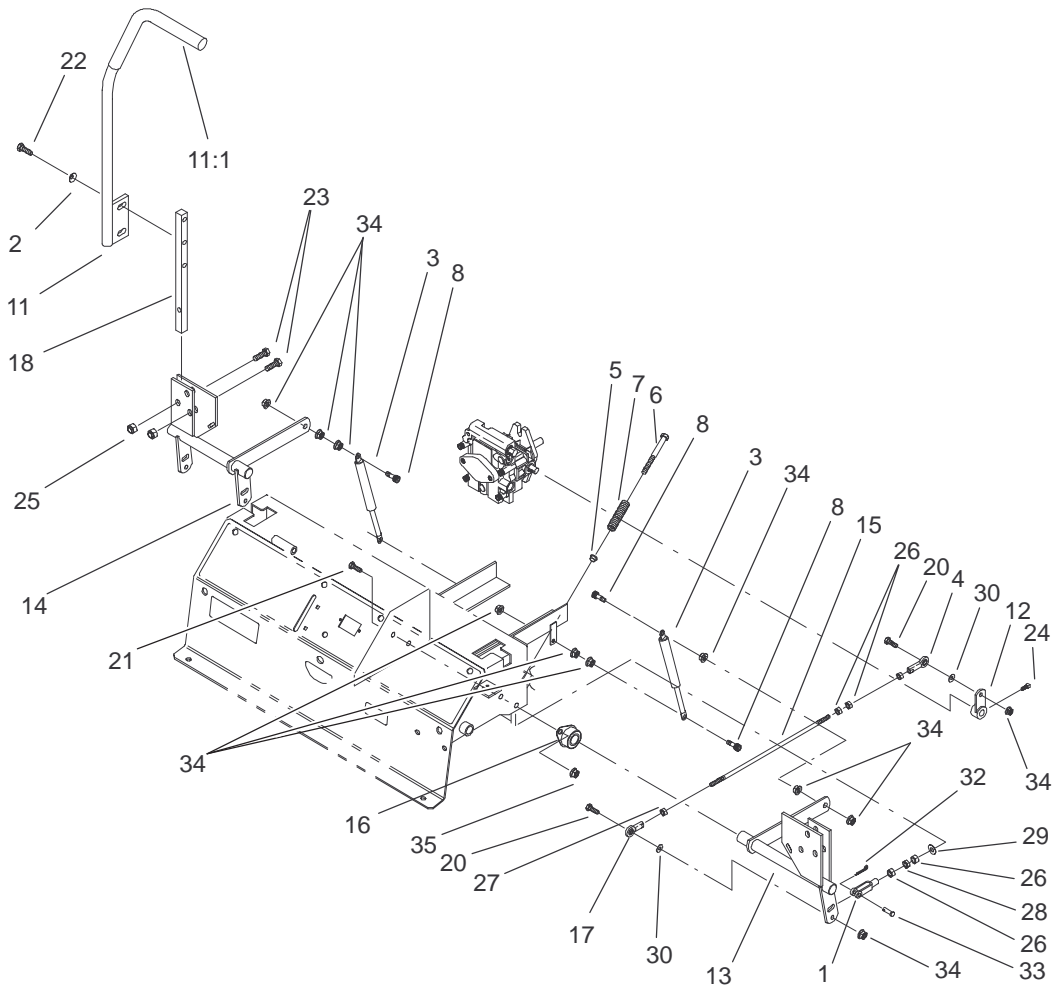


Sheet No.: 5

Brake and Wheel Hub Assembly

Ref. No.	Part No.	Qty.	Description
1	1-513140	2	Bearing-Control
2	1-633454	2	Spring-Brake
3	1-633477	3	Rod-Brake
4	1-634500	1	Brake Lever/Grip ASM
4:2	1-633268	1	Grip-Lever, Brake
5	1-632217-03	1	Shaft-Brake
6	103-0352-03	2	Bracket-Brake
7	1-523157	2	Washer-Spacer
9	103-0355	2	Band-Brake
10	1-633380	4	Spacer-Wheel, Short
11	1-633382	4	Spacer-Wheel, Long
12	1-633102	2	Bearing-Flange, Side
13	1-633131	4	Yoke-Linkage, Brake
14	1-633144	2	Pin-Trunion
15	103-0590	2	Hub-Wheel W/Studs
15:1	103-0589	1	Hub-Wheel
15:2	1-633926	4	Stud-Wheel
18	323-4	4	Screw-HH
19	1-808285	4	Pin-Clevis
20	325-17	8	Screw-HH
21	1481	2	Fitting-Grease
22	103-0131	8	Nut-Square
23	3219-3	8	Nut-HH
24	3290-357	4	Nut-Flange, Lock
25	3253-7	8	Washer-Lock
26	3256-4	4	Washer-Flat

Ref. No.	Part No.	Qty.	Description
27	3272-10	7	Pin-Cotter
28	1-806800	2	Pin-Cotter
29	322-9	6	Screw-HH
30	103-0384	6	Spacer
31	103-0374	2	Retainer-Band, Brake



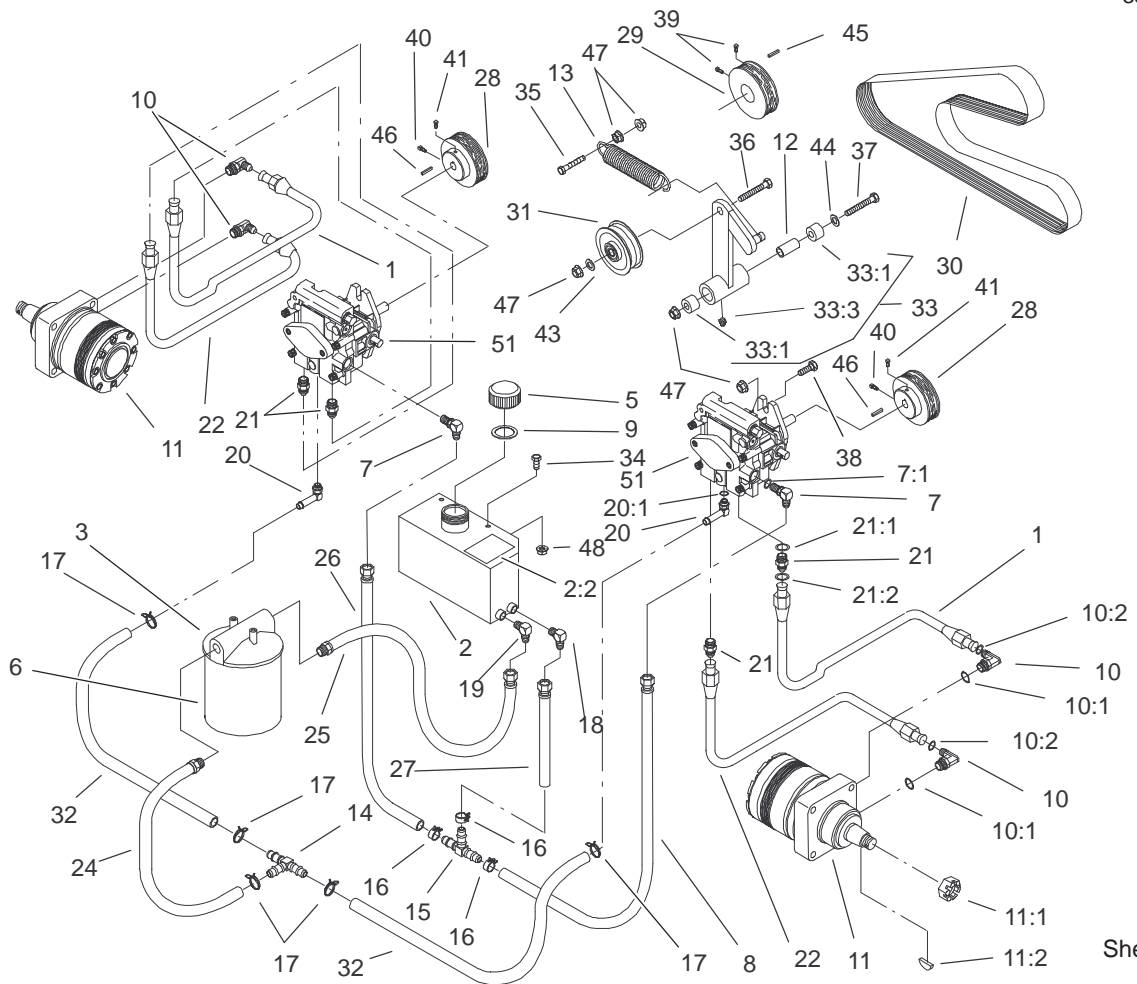
Sheet No.: 6

Control Panel Assembly

Ref. No.	Part No.	Qty.	Description
1	1-303105	2	Yoke-Adjustable
2	98-5975	4	Washer-Belleville
3	1-523027	2	Damper-Control
4	1-543017	2	Balljoint-RH
5	1-603735	2	Bushing-Flanged, Nylon
6	1-603737	2	Bolt-Return, Neutral
7	1-603807	2	Spring-Return, Neutral
8	1-403180	4	Screw-HH
11	103-0632	1	RH Lever/Grip ASM
11:1	1-633257	1	Grip-Control, Motion
12	1-632208	2	Wld,Pump Control Arm
13	1-642319	1	Control-Motion, LH
14	1-642320	1	Control-Motion, RH
15	1-633153	2	Linkage-Pump/Lever
16	1-633102	4	Bearing-Flange, Side
17	1-633152	2	Balljoint-Thread, LH
18	103-0407	2	Arm-Shaft, Control
20	322-6	4	Screw-HH
21	323-4	8	Screw-HH
22	323-6	4	Screw-HH
23	323-9	6	Screw-HH
24	1-803022	2	Screw
25	3296-39	6	Nut-Lock, NI
26	3219-2	10	Nut-Hex

Ref. No.	Part No.	Qty.	Description
27	1-804524	2	Nut
28	3220-2	2	Nut
29	3256-2	2	Washer-Flat
30	3256-3	4	Washer-Flat
32	3272-5	2	Pin-Cotter
33	1-808280	2	Pin-Clevis
34	32128-20	16	Nut-HF
35	3290-357	8	Nut-Flange, Lock
*37	103-0631	1	LH Lever/Grip ASM

* Not illustrated

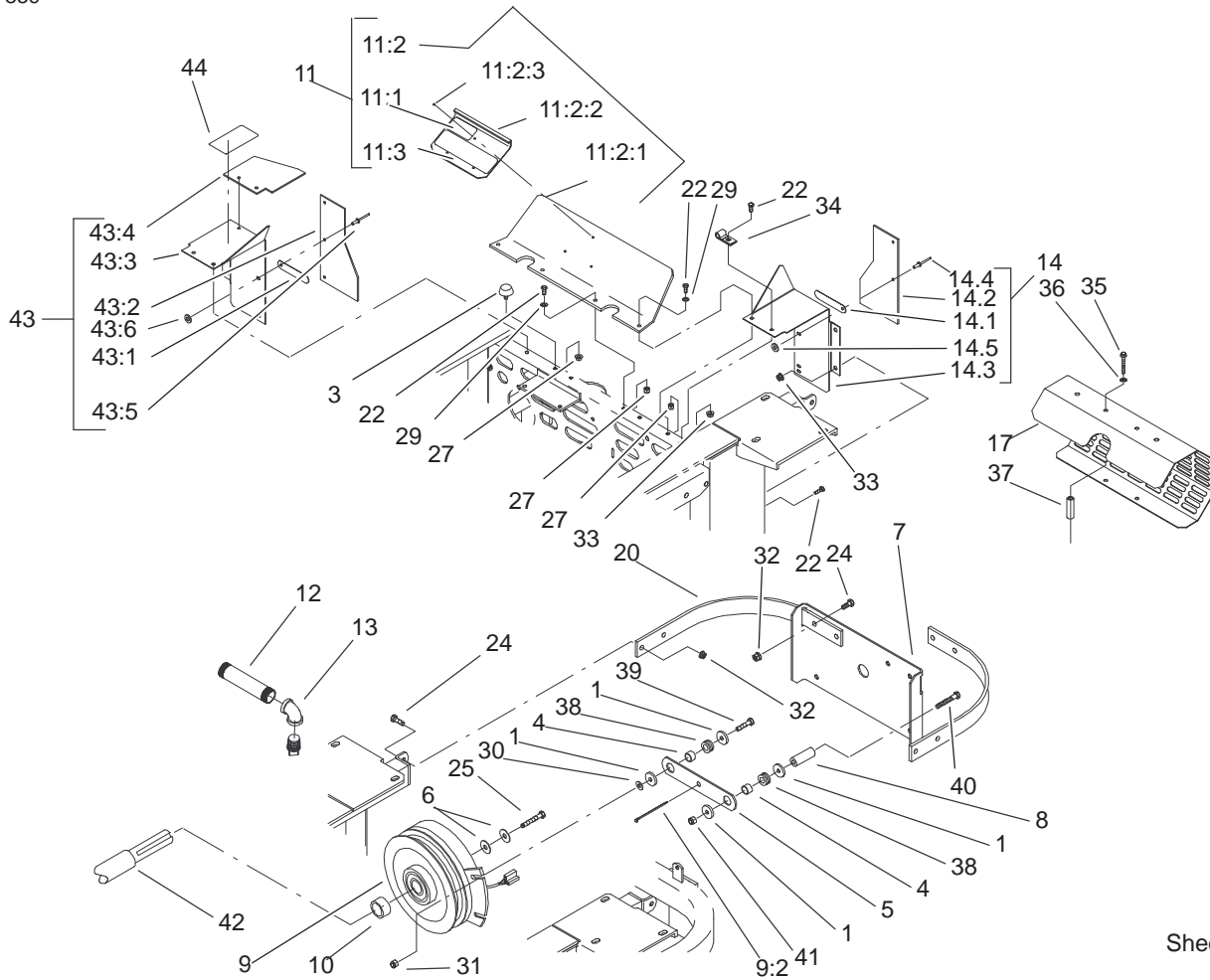


Sheet No.: 7

Hydraulic System Assembly

Ref. No.	Part No.	Qty.	Description	Ref. No.	Part No.	Qty.	Description
1	1-633774	2	Hose-Upper	18	1-603987	1	Fitting-Elbow
2	99-4625	1	Hydraulic Tank ASM	19	1-603988	1	Fitting-Elbow
2:2	1-523552	1	Decal-Tank, Hydraulic	20	1-603989	2	Fitting
3	1-513006	1	Filter-Head	20:1	237-78	1	O-Ring
5	1-513167	1	Cap	21	1-603990	4	Fitting-Straight
6	1-633750	1	Filter-HYD	21:1	237-79	1	O-Ring
6	1-633752	1	Filter-HYD, Winter	21:2	1-603992	1	O-Ring
7	1-513840	2	Fitting-90°	22	1-633775	2	Hose-Lower
7:1	237-42	1	O-Ring	24	1-632281	1	Hose ASM
8	1-522217	1	Low Pressure Hose ASM	25	1-632282	1	Hose ASM
9	1-523103	1	Gasket-Cap, Tank	26	1-632285	1	Hose ASM
10	1-633786	4	Fitting-90°	27	1-632286	1	Hose ASM
10:1	237-80	1	O-Ring	28	1-633568	2	Sheave
10:2	1-603992	1	O-Ring	29	1-633567	1	Sheave
11	1-523328	2	Motor-Wheel	30	1-633749	1	Belt-Drive, Pump
11:1	1-809036	1	Nut-HH	31	1-633167	1	Sheave-Idler
11:2	3257-42	1	Key-Woodruff	32	1-633335	2	Hose-Pressure, Low
*11:99	1-000099	1	Kit-Seal	33	1-634277	1	Bearing Arm ASM
*11:99	1-000139	1	Kit-Bearing	33:1	1-513034	2	Sleeve-Bearing
12	1-603384	1	Bushing-Pivot, Idler	33:3	302-40	1	Fitting-Grease
13	1-603413	1	Spring-Extension	34	321-4	2	Screw-HH
14	1-603721	1	Fitting-Tee, Hose	35	323-8	1	Screw-HH
15	1-603722	1	Fitting-Tee, Hose	36	323-9	1	Screw-HH
16	1-603826	3	Clamp-Hose	37	1-800805	1	Screw-HH
17	1-603827	5	Clamp-Hose	38	323-7	4	Screw-HH
				39	1-803022	2	Screw

* Not illustrated

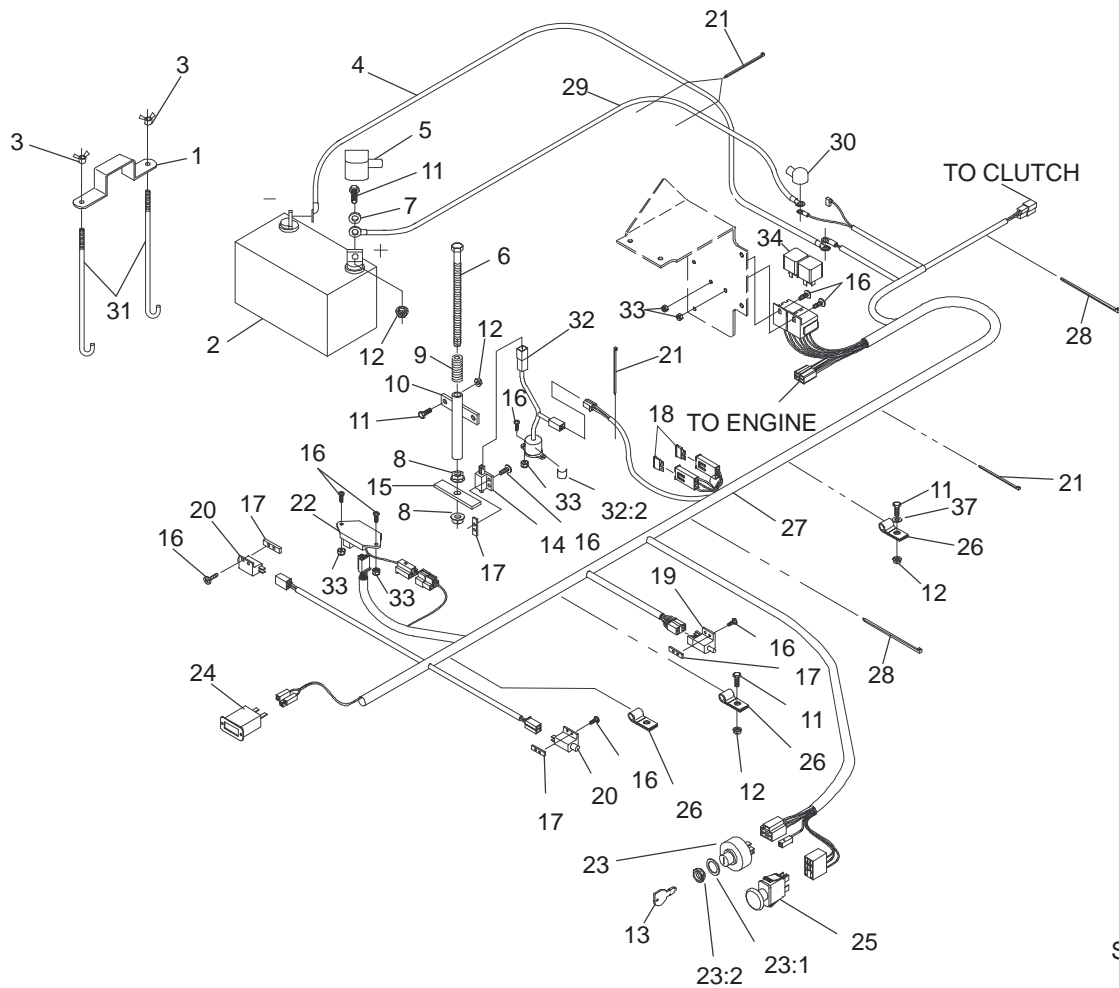


Sheet No.: 9

Shield and Clutch Assembly

Ref. No.	Part No.	Qty.	Description
1	1-613235	4	Washer
3	1-523420	2	Bumper
4	1-633545	2	Spacer-Grommet
5	1-633543-03	1	Strap-Clutch, Brake
6	1-603610	2	Washer-Spring
7	1-633615-03	1	Guard-Clutch
8	1-633988	1	Spacer-Anchor, Clutch
9	103-0665	1	Clutch ASM
9:1	1-303335	1	Tie-Plastic
10	1-633179	1	Spacer-Clutch, 25hp
11	1-644276	1	Shield ASM
11:1	1-633462	1	Decal-Important
11:2	1-634308	1	Shield/Lift ASM
11:2:1	103-1308	1	Shield, Engine 5 Hole
11:2:2	1-633300-03	1	Lift-Shield
11:2:3	1-803035	3	Rivet-Pop
11:3	103-0368	1	Decal-Devices, Rotating
12	1-543232	1	Nipple
13	1-303428	1	Elbow-90°
14	1-634796	1	LH Shield ASM
14:1	1-523285	1	Clip-Baffle, Rear
14:2	1-633301	1	Shield-Engine
14:3	1-633795-03	1	Baffle-Engine Shield, LH

Ref. No.	Part No.	Qty.	Description
14:4	1-803035	3	Rivet-Pop
14:5	3256-63	3	Washer-Flat
17	1-643313-03	1	Guard-Muffler
20	1-643264-03	2	Bracket-Guard, Top
22	321-4	10	Screw-HH
24	323-6	6	Screw-HH
25	3212-10	1	Screw-HH
27	3296-42	6	Nut-Lock, NI
29	3256-2	4	Washer-Flat
30	3256-3	1	Washer-Flat
31	32128-20	1	Nut-HF
32	3290-357	4	Nut-Flange, Lock
33	32128-33	5	Nut-HF
34	1-633396	1	Clip-Loom
35	1-809076	2	Screw
36	1-323235	2	Washer-Spring
37	1-323236	2	Spacer
38	1-633630	2	Grommet-Brake
39	322-6	1	Screw-HH
40	322-19	1	Screw-HH
41	3296-29	1	Nut-Lock
42	1-633830	1	Engine-25hp, Kohler (Ch25s Ps-68606)
43	1-644316	1	RH Shield ASM
43:1	1-523285	1	Clip-Baffle, Rear
43:2	1-633301	1	Shield-Engine

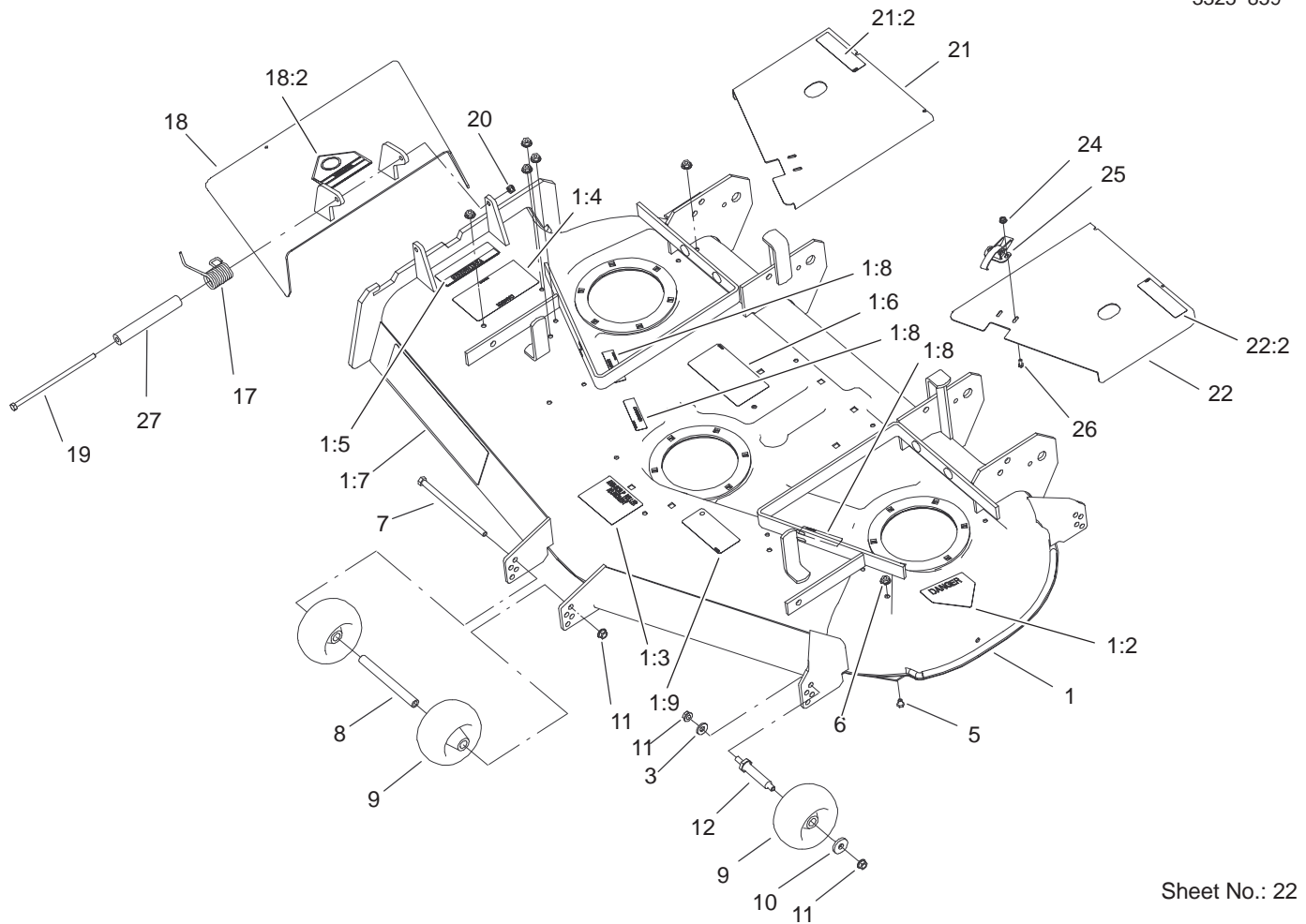


Sheet No.: 11

Electrical System Assembly

Ref. No.	Part No.	Qty.	Description
1	1-633652-03	1	Strap-Holddown, Battery
2	1-603479	1	Battery
3	1-543792	2	Wingnut
4	1-633307	1	Wire-Ground
5	1-543391	1	Insulator-Battery
6	1-800282	1	Screw-HH
7	3256-2	2	Washer-Flat
8	32128-20	2	Nut-HF
9	1-523415	1	Spring-Switch, Seat
10	1-522424-03	1	Mount-Spring, Seat
11	321-4	6	Screw-HH
12	32128-33	6	Nut-HF
13	63-8360	2	Key-Ignition
14	1-513152	1	Switch-Closed, Normally
15	1-513180	1	Plate-Switch, Seat
16	3290-500	14	Screw-PPH
17	1-633181	4	Plate-Tapped
18	1-816001	2	Fuse-Type, Blade
19	1-633111	1	Switch
20	1-513051	2	Switch-Open, Normally
21	1-303287	5	Tie-Plastic
22	100-6186	1	Module-Delay, Seat
23	88-9830	1	Switch-Ignition

Ref. No.	Part No.	Qty.	Description
23:1	3254-5	1	Washer-Lock, Internal
23:2	218-461	1	Nut-HH
24	1-513374	1	Meter-Hours
25	1-633673	1	Switch-Delta
26	1-633396	3	Clip-Loom
27	100-4340	1	Harness-Wire
28	1-303335	2	Tie-Plastic
29	1-523281	1	Wire-Starter
30	1-543393	1	Insulator-Solenoid
31	1-633651	2	Bolt-Holddown
32	1-644427	1	Tilt Switch ASM
32:2	1-643401	1	Decal-Switch, Mercury
33	3296-2	6	Nut-Lock
34	1-643275	2	Relay
37	3256-22	1	Washer-Flat

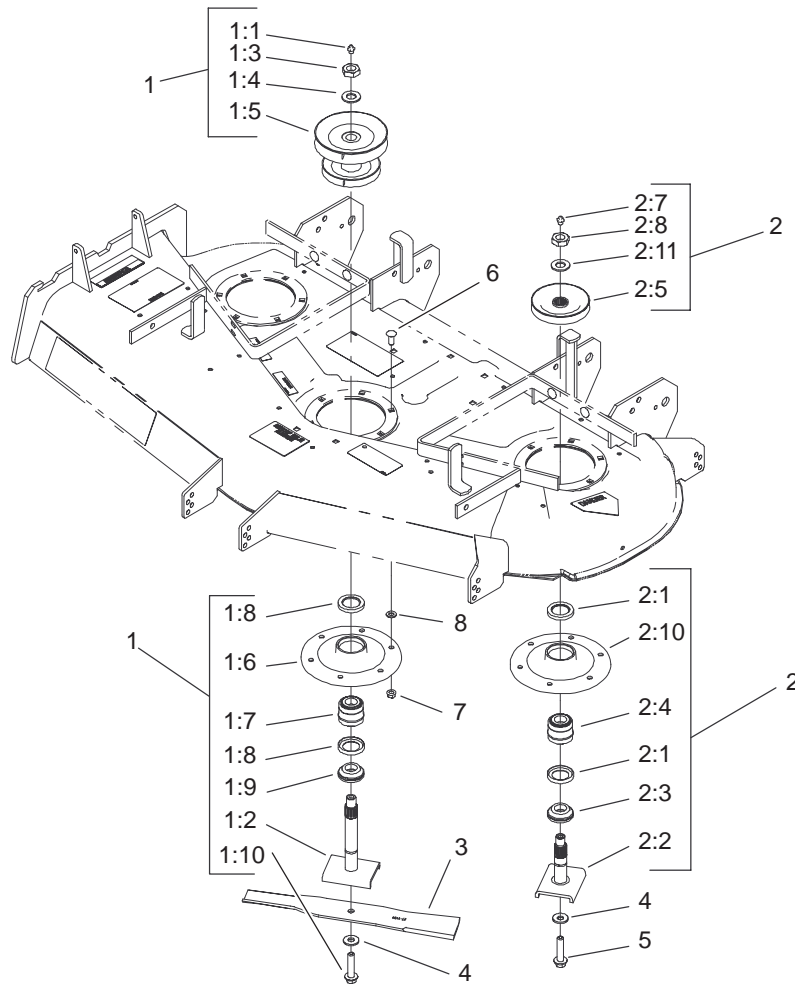


Sheet No.: 22

Deck, Deflector and Wheels Assembly

Ref. No.	Part No.	Qty.	Description
1	104-7752	1	Deck ASM
1:2	43-8480	1	Decal-Danger
1:3	98-3798	1	Decal-Wheel, Gage
1:4	66-1340	1	Decal-Danger
1:5	104-8569	1	Decal-Deflector
1:6	98-3799	1	Decal-Belt Routing
1:7	98-5953	1	Decal-Sfs
1:8	98-5954	3	Decal-Missing, Cover
1:9	93-7818	1	Decal-Torque, Blade Bolt
3	98-5975	3	Washer-Belleville
5	321-1	6	Screw-HH
6	32128-33	6	Nut-HF
7	323-28	1	Screw-HH
8	98-5967	1	Spacer - Wheel
9	68-2730	5	Gage-Wheel
10	1-373034	3	Washer-Swivel
11	3290-357	7	Nut-Flange, Lock
12	99-2842	3	Spacer-Wheel
17	104-8554	1	Spring-Torsion
18	104-7753	1	Deflector ASM
18:2	54-9220	1	Decal-Danger
19	322-50	1	Screw-Cap
20	3296-29	1	Nut-Lock
21	98-5963	1	Cover ASM-RH

Ref. No.	Part No.	Qty.	Description
21:2	67-5360	1	Decal-Danger
22	98-5965	1	LH Cover ASM
22:2	67-5360	1	Decal-Danger
24	32128-17	4	Nut-Lock, Flange
25	249-21	2	Clamp-Slotted
26	3290-321	4	Screw-HWH
27	104-8555	1	Spacer-Mounting, Deflector

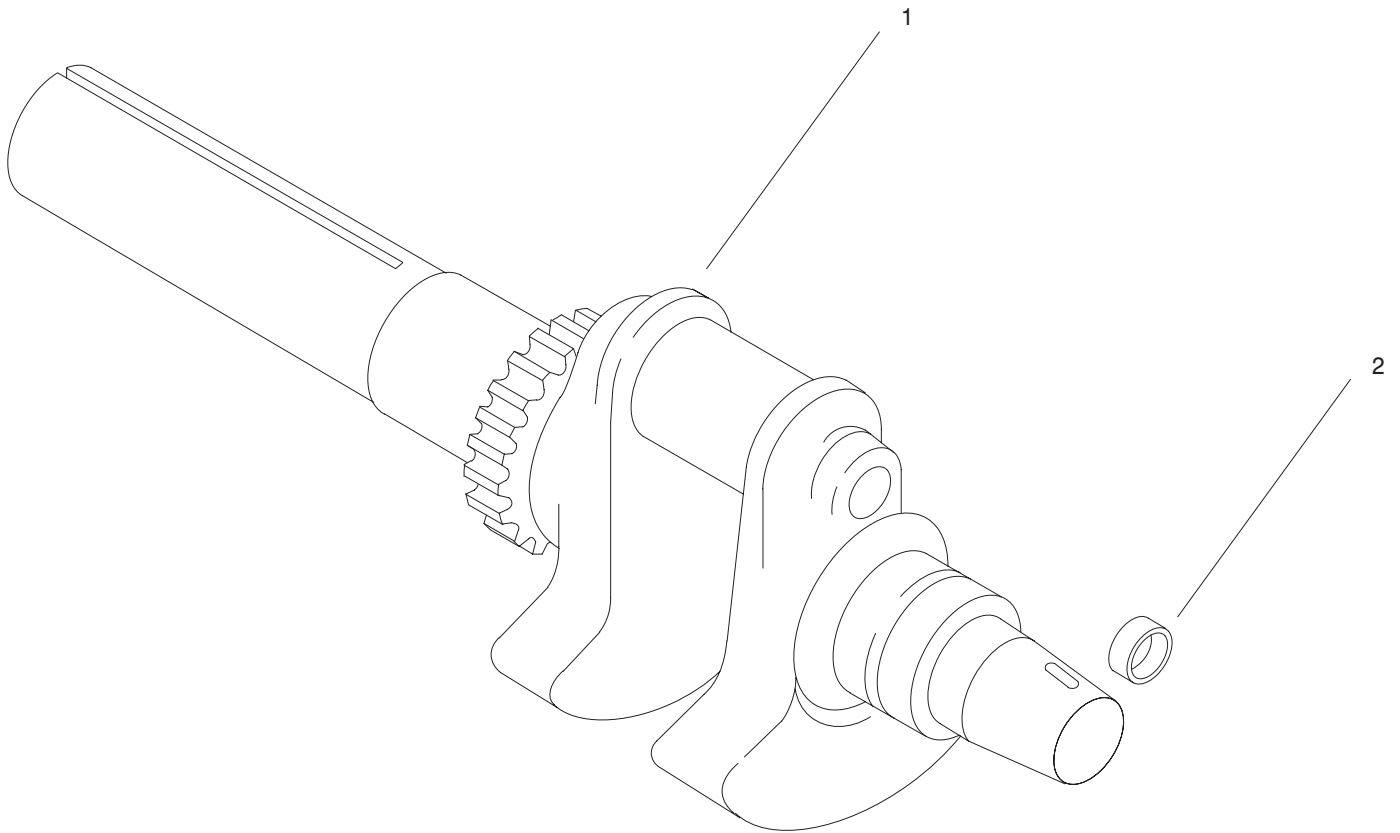


Sheet No.: 23

Deck and Pulleys Assembly

Ref. No.	Part No.	Qty.	Description
1	100-2313	1	Spindle ASM – Middle
1:1	302-2	1	Fitting-Grease
1:2	51-3551	1	Shaft-Spindle
1:3	32146-20	1	Nut-Jam
1:4	92-5836	1	Washer-Axle
1:5	100-2312	1	Pulley/Hub ASM
1:6	61-4160	1	Housing-Spindle
1:7	46-8530	1	Bearing ASM
1:8	253-139	2	Seal-Oil
1:9	27-0950	1	Spacer-Bearing, Spindle
1:10	92-5816	1	Bolt-Blade
2	99-4639	2	Spindle ASM – Outer
2:1	253-139	2	Seal-Oil
2:2	27-0920	1	Shaft-Spindle
2:3	27-0950	1	Spacer-Bearing, Spindle
2:4	46-8530	1	Bearing ASM
2:5	99-4613	1	Pulley & Hub
2:7	302-2	1	Fitting-Grease
2:8	32146-20	1	Nut-Jam
2:10	61-4160	1	Housing-Spindle
2:11	7-4150	1	Washer-Pinion
3	27-0990	3	Blade
4	1-513435	3	Washer-Spring
5	92-5816	2	Bolt-Blade

Ref. No.	Part No.	Qty.	Description
6	3231-22	16	Screw-CARR
7	32128-21	16	Nut-HF
8	3256-24	1	Washer-Flat

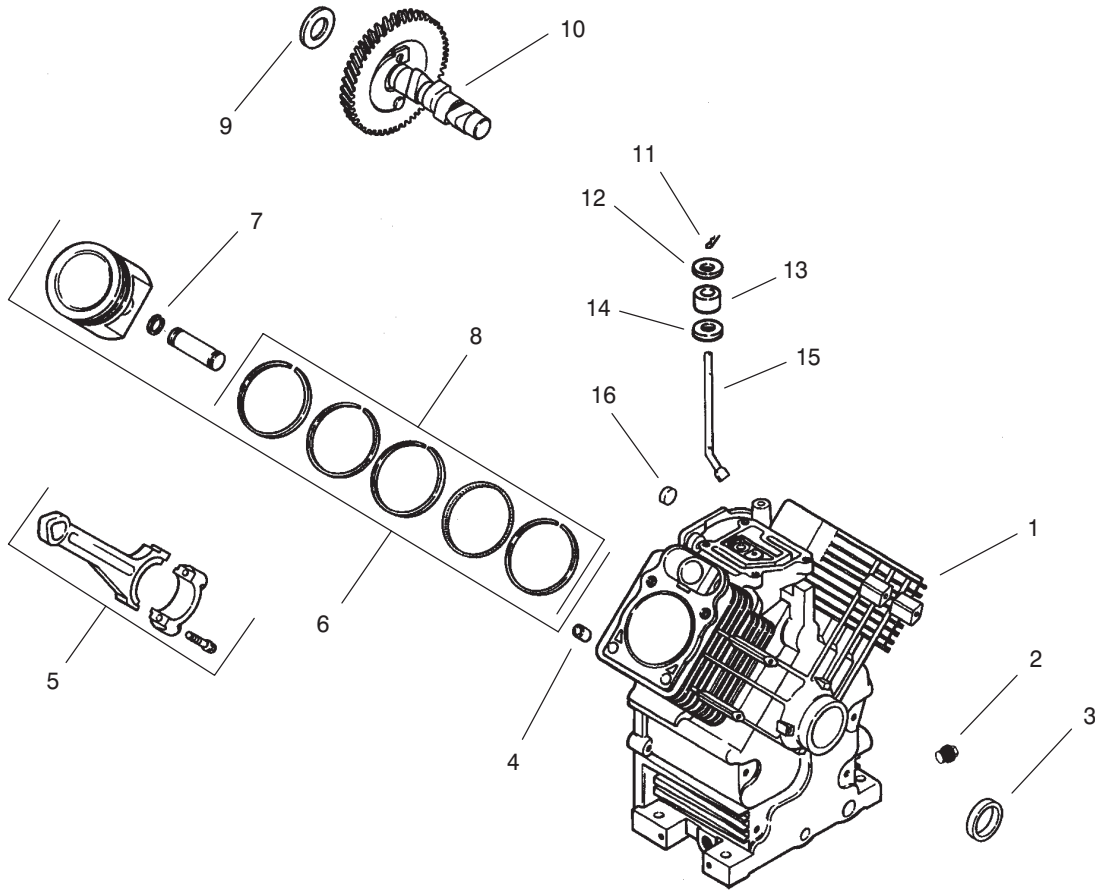


Crankshaft Assembly (Engine: Kohler CH25S PS-68606)

Ref. No.	Part No.	Qty.	Description
1	24 014 06	1	Crankshaft (Incl. Ref.# 2)
2	52 139 09	1	Plug-Cup

Ref. No.	Part No.	Qty.	Description

Obtain parts from Kohler

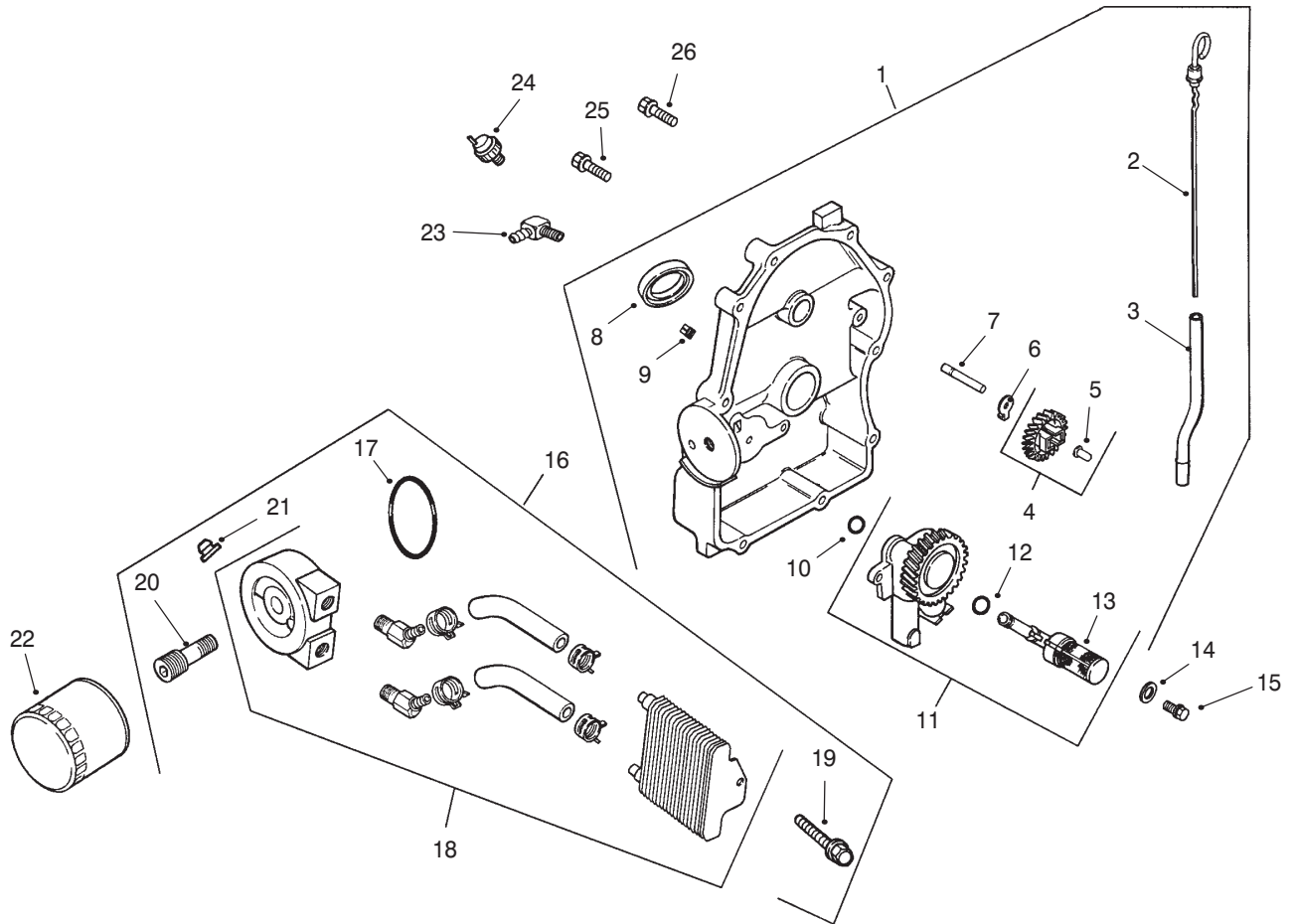


Crankcase Assembly (Engine: Kohler CH25S PS-68606)

Ref. No.	Part No.	Qty.	Description
1	24 561 33	1	Cylinder Block (Incl. Ref.# 2,4,16,17)
2	X-75-10	2	Plug-Drain
3	24 032 01	1	Seal-Oil, Front
4	12 380 17	6	Pin-Dowel, Locating
5	24 067 13	2	Connecting Rod (Std.)
	24 067 14	2	Connecting Rod (.25)
6	24 874 06	2	Piston with Ring Set (Std.)
7	24 018 01	4	Retainer-Pin, Piston
8	24 108 04	2	Ring Set (Std.)
9	12 422 09	A/R	Shim-Camshaft-Red
	12 422 13	A/R	Shim-Camshaft-Black
	12 422 07	A/R	Shim-Camshaft-White
	12 422 08	A/R	Shim-Camshaft-Blue
	12 422 10	A/R	Shim-Camshaft- Yellow
	12 422 11	A/R	Shim-Camshaft-Green
	12 422 12	A/R	Shim-Camshaft-Gray
10	24 012 10	1	Camshaft
11	12 380 04	1	Pin-Hitch
12	M-0631005	1	Washer-Flat
13	12 032 01	1	Seal-cross shaft, Governor

Ref. No.	Part No.	Qty.	Description
14	X-25-102	1	Washer-Plain
15	24 144 01	1	Shaft-Cross, Governor
16	52 139 09	1	Plug-Cup
*	24 113 56	1	Decal-Service

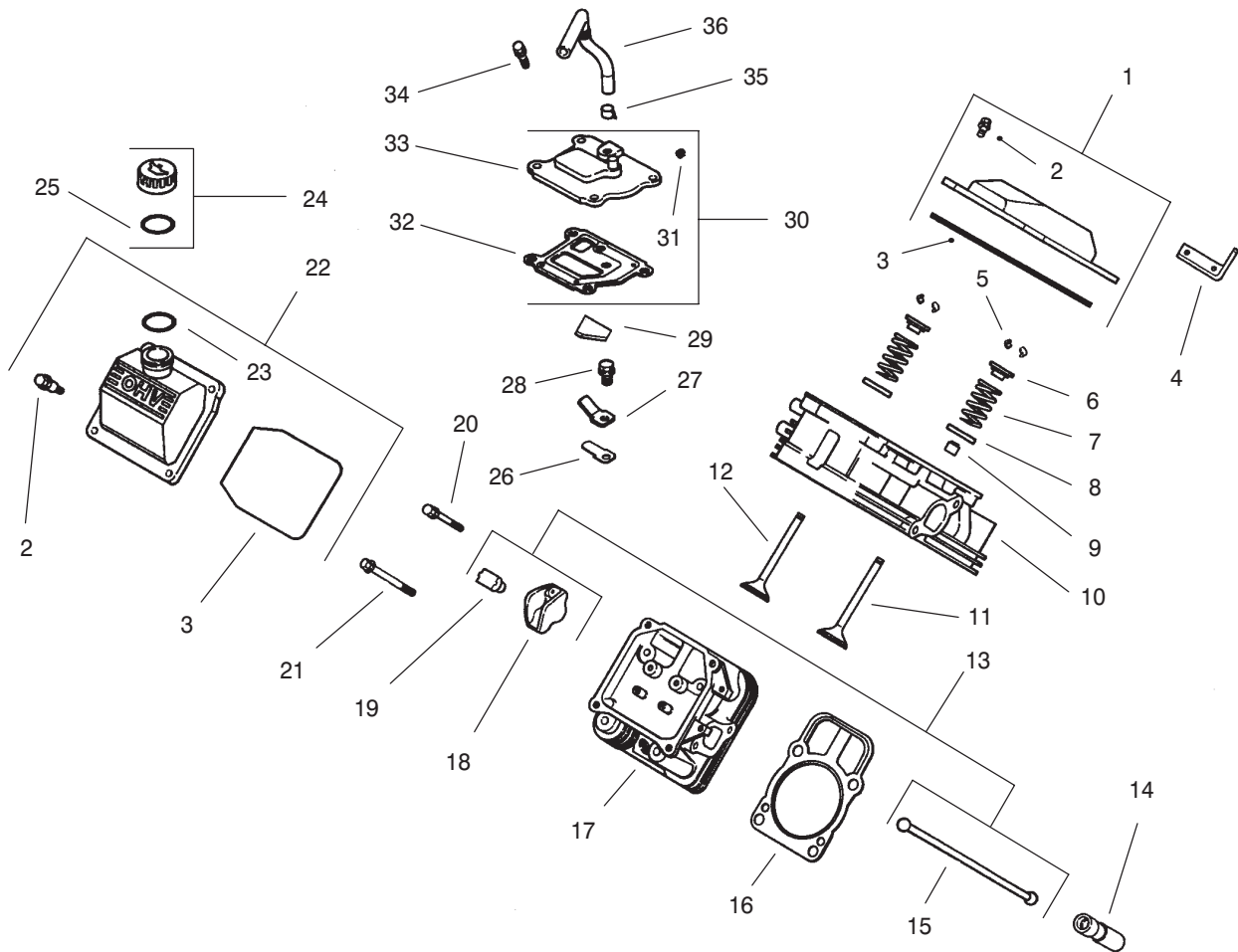
*Not Illustrated
Obtain parts from Kohler



Oil Pan/Lubrication Assembly (Engine: Kohler CH25S PS-68606)

Ref. No.	Part No.	Qty.	Description	Ref. No.	Part No.	Qty.	Description
1	24 009 83	1	Closure Plate ASM (Incl. Ref.# 2-12)	20	24 136 05	1	Nipple-Filter, Oil
2	24 038 06	1	Dipstick	21	24 100 01	2	Nut-Plastic
3	24 123 08	1	Tube-Dipstick	22	52 050 02	1	Filter-Oil
4	24 043 12	1	Kit-Gear, Governor (Incl. Ref.# 5)	23	25 155 02	1	Connector
5	12 380 01	1	Pin-Regulating, Governor	24	24 099 03	1	Switch-Pressure
6	52 448 02	1	Tab-Locking	25	24 086 16	9	Screw-HF
7	12 144 02	1	Shaft-Gear, Governor	26	24 086 17	1	Screw-HF
8	52 032 08	1	Seal-Oil (PTO end)	*	24 113 25	1	Decal-Cooler, Oil
9	X-75-23	2	Plug-Pipe, 1/8"				
10	24 153 08	1	O-Ring				
11	24 393 10	1	Oil Pump ASM (Incl. Ref.# 12,13)				
12	24 153 01	1	O-Ring-pick-up, Oil				
13	24 381 04	1	Pick-up-Oil				
14	M-0631005	2	Washer-Plain, 6mm				
15	M-0645025	2	Screw-HF				
16	54 755 14	1	Kit-Cooler, Oil (Incl. Ref.# 17-21)				
17	24 253 17	1	O-Ring				
18	24 594 15	1	Cooler-Oil				
19	24 086 12	2	Screw-Hex				

*Not Illustrated
Obtain parts from Kohler

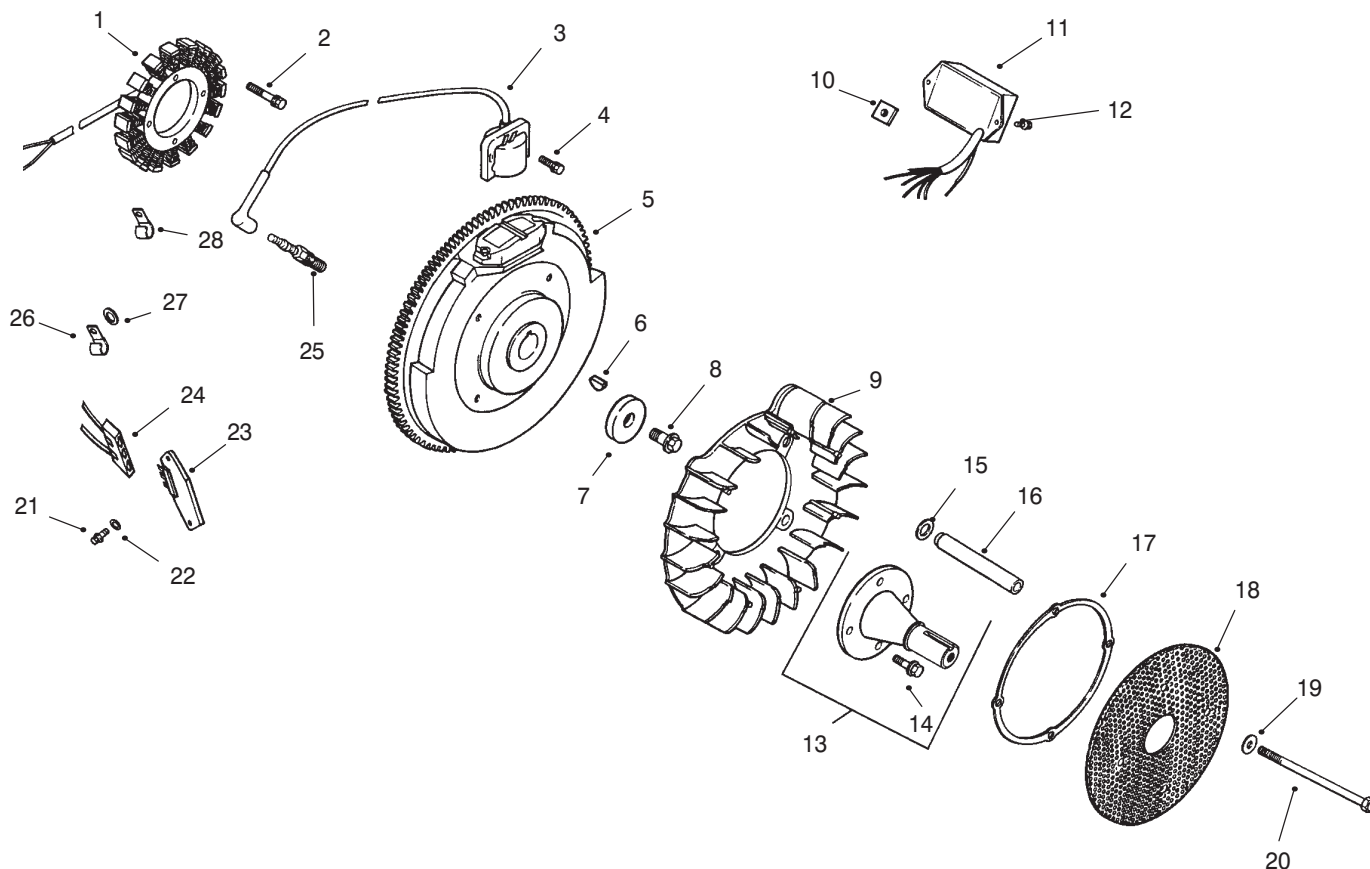


Head/Valve/Breather Assembly (Engine: Kohler CH25S PS-68606)

Ref. No.	Part No.	Qty.	Description
1	24 755 74	1	Kit-Valve Cover, Plain (Incl. Ref.# 2, 3)
2	24 086 32	4	Screw-Shoulder
3	24 153 16	1	O-Ring-Cover, Valve
4	24 445 01	1	Strap-Lifting
5	12 755 03	4	Kit-Retainer
6	12 173 01	4	Cap-Spring, Valve
7	24 089 02	4	Spring-Valve
8	235011	4	Retainer-Spring
9	24 032 05	2	Seal-Stem, Valve
10	24 318 13	1	#1 Cylinder Head ASM
11	24 017 01	2	Valve-Intake (Std.)
	24 017 02	2	Valve-Intake (.25)
12	24 016 01	2	Valve-Exhaust (Std.)
	24 016 02	2	Valve-Exhaust (.25)
13	24 755 66	1	Kit-Train, Valve (Incl. Ref.# 15,18,19)
14	12 351 02	4	Lifter-Valve
15	24 411 05	4	Rod-Push
16	24 041 37	2	Gasket-Head, Cylinder
17	24 318 14	1	#2 Cylinder Head ASM
18	25 186 01	4	Arm-Rocker
19	24 599 01	4	Pivot-Arm, Rocker
20	M-0640034	4	Screw-HF

Ref. No.	Part No.	Qty.	Description
21	24 086 44	8	Screw-HF
22	24 755 75	1	Kit-Valve Cover, Oil Fill (Incl. Ref.# 2, 3, 23)
23	24 153 09	1	O-Ring
24	24 755 46	1	Kit-Cap, Oil Fill (Incl. Ref.# 25)
25	12 153 03	1	O-Ring-Cap, Oil Fill
26	24 402 03	1	Reed-Breather
27	12 018 01	1	Retainer-Reed, Breather
28	M-0545010	1	Screw-HF
29	24 050 01	1	Filter-Breather
30	24 033 01	1	Kit-Bbreather (Incl. Ref.# 31-33)
31	X-75-23	1	Plug-Pipe, Allen Head
32	24 041 23	1	Gasket-Breather
33	24 096 02	1	Cover-Breather
34	M-0645020	4	Screw-HF
35	X-426-9	1	Clamp-Breather
36	24 326 06	1	Hose-Breather

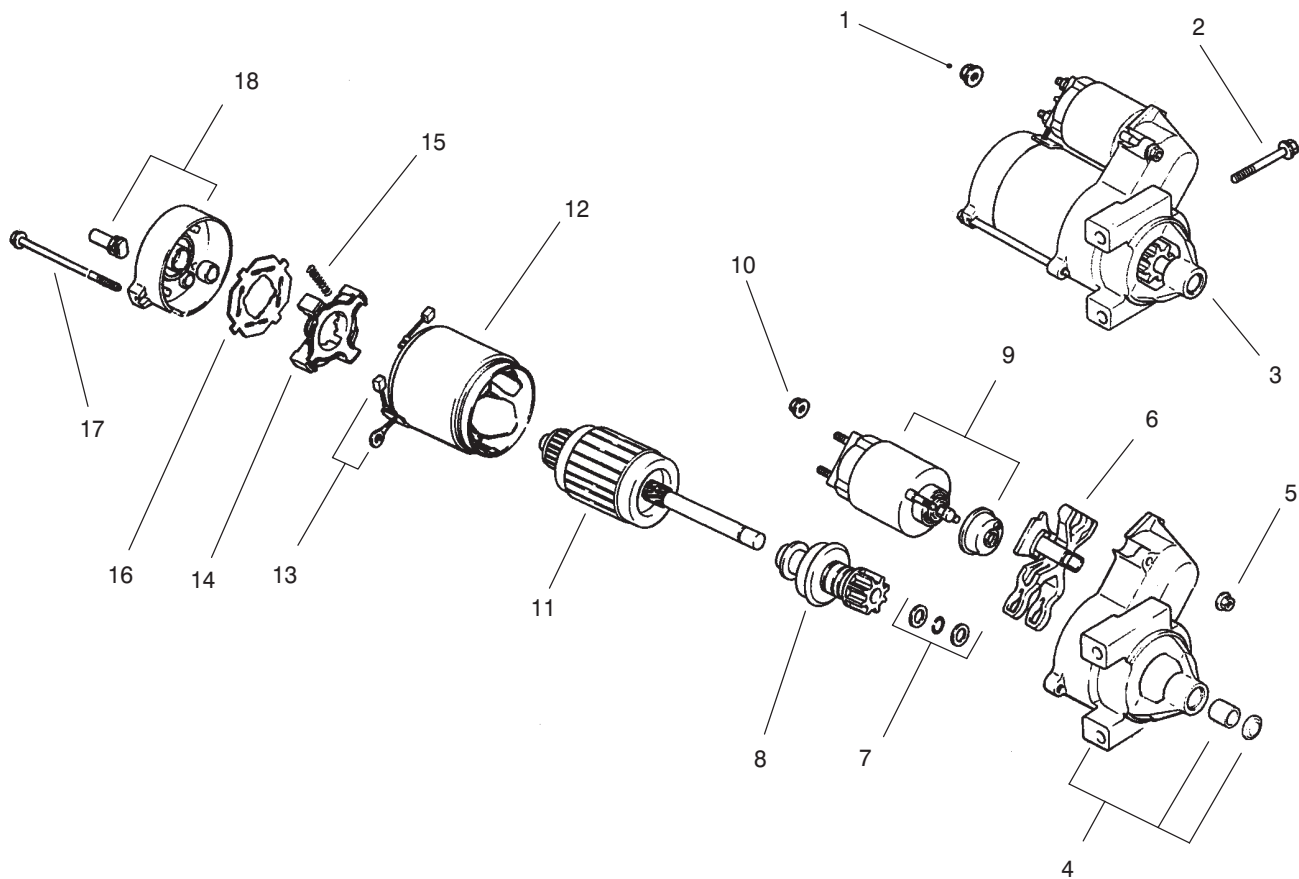
Obtain parts from Kohler



Ignition/Electrical Assembly (Engine: Kohler CH25S PS-68606)

Ref. No.	Part No.	Qty.	Description	Ref. No.	Part No.	Qty.	Description
1	54 755 09	1	Kit-Stator, 15 amp (Incl. Ref.# 24 126 71)	22	X-25-92	2	Washer-Plain, 3/16"
2	M-0548025	2	Screw-Cap, Hex	23	25 403 03	1	Rectifier-Regulator 15amp
3	24 584 11	2	Module-Ignition	24	236602	1	Connector
4	M-0561025	4	Screw-HSH	25	12 132 06	2	Plug-Spark
5	24 025 03	1	Flywheel	26	47 154 01	1	Clip-Cable
6	X-42-15	1	Key	27	X-25-63	1	Washer-Plain, 1/4"
7	12 468 03	1	Washer-Plain, 3/8"	28	48 154 02	1	Clip-Cable
8	12 086 14	1	Screw-HF	*	25 518 28	1	Lead-Black, 4" (18 gauge - insulated grip barrel eyelet terminals)
9	24 157 03	1	Fan	*	24 176 38	1	Harness-Wiring
10	24 100 02	2	Nut-Plastic	*	24 755 56	1	Kit-Wiring (Includes Terminal #25 542 17 & Tie X-468-1)
11	24 584 09	1	Module-Advance, Spark	*	24 126 71	1	Bracket-Wire, Stator
12	24 086 41	2	Screw-Head, Phillips	*	X-22-11	1	Washer-Lock
13	24 755 08	1	Kit-Drive Shaft, Front (Incl. Ref.# 14)				
14	M-0839025	4	Screw-HF				
15	24 468 11	4	Washer-Spring, 10mm				
16	24 112 14	4	Spacer				
17	24 141 06	1	Ring-Support				
18	24 162 22	1	Screen-Grass				
19	X-25-53	4	Washer-Plain, 1/4"				
20	M-0603100	4	Screw-Hex				
21	24 086 18	2	Screw-Head, Phillips				

*Not Illustrated
Obtain parts from Kohler

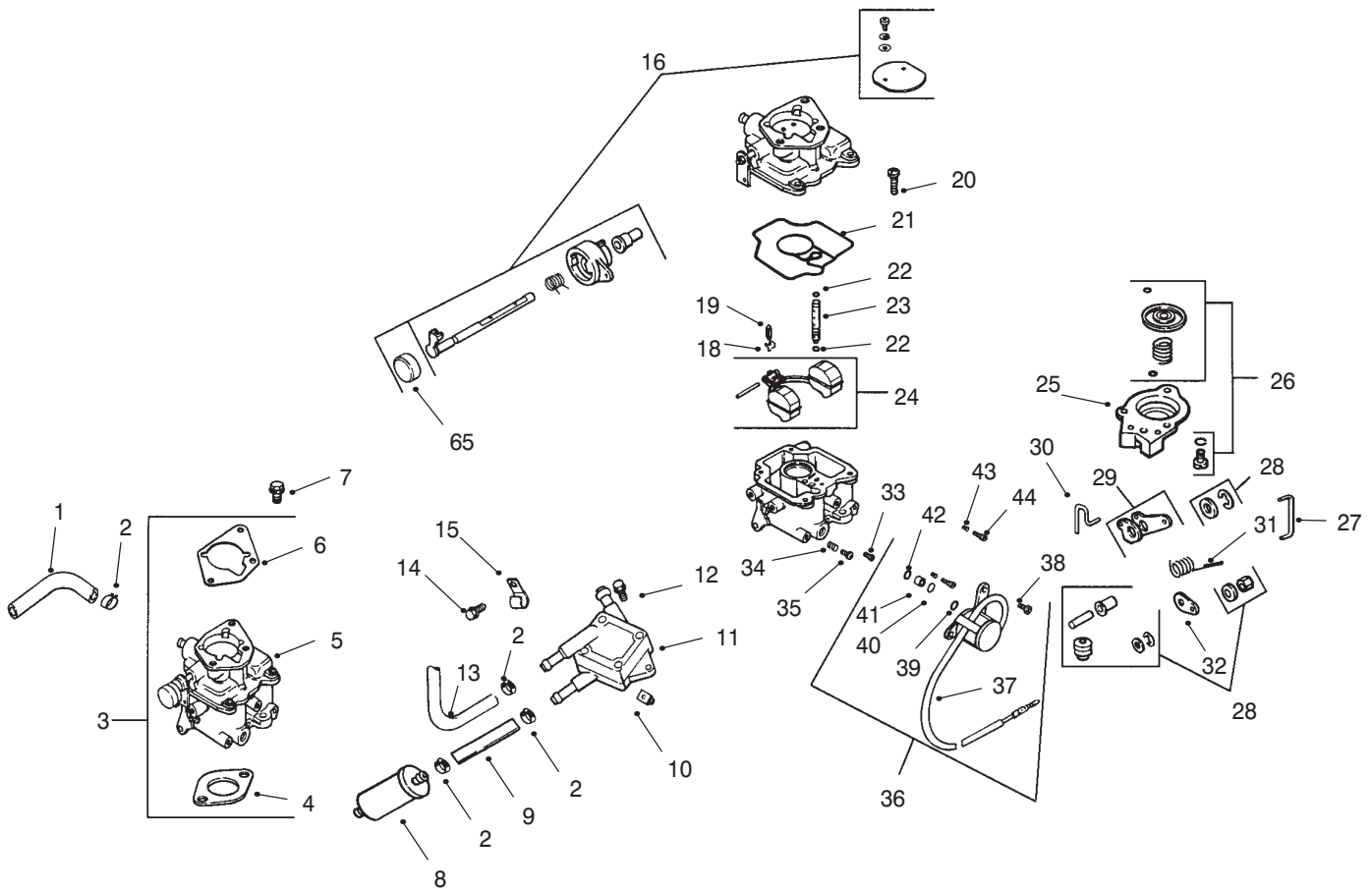


Starting System Assembly (Engine: Kohler CH25S PS-68606)

Ref. No.	Part No.	Qty.	Description
1	M-0841080	1	Nut-HF
2	M-0839080	2	Screw-HF
3	24 098 01	1	Starter Solenoid Shift ASM (Incl. Ref.# 4-18)
4	24 081 04	1	Drive-Cap, End
5	52 100 10	2	Nut-Starter
6	12 090 10	1	Lever-Drive, Starter
7	24 755 84	1	Kit-Repair, Starter
8	12 239 01	1	Drive-Pinion
9	52 435 02	1	Solenoid
10	52 100 09	1	Nut-Starter
11	12 170 04	1	Armature-Starter
12	12 471 01	1	Frame
13	52 221 01	1	Kit-Brush & Spring (Incl. Ref. # 15)
14	52 323 03	1	Holder-Brush
15	52 089 09	4	Spring-Brush
16	52 168 01	1	Insulator
17	52 211 05	2	Bolt-Thru
18	24 301 01	1	Commutator-Cap, End

Ref. No.	Part No.	Qty.	Description

Obtain parts from Kohler

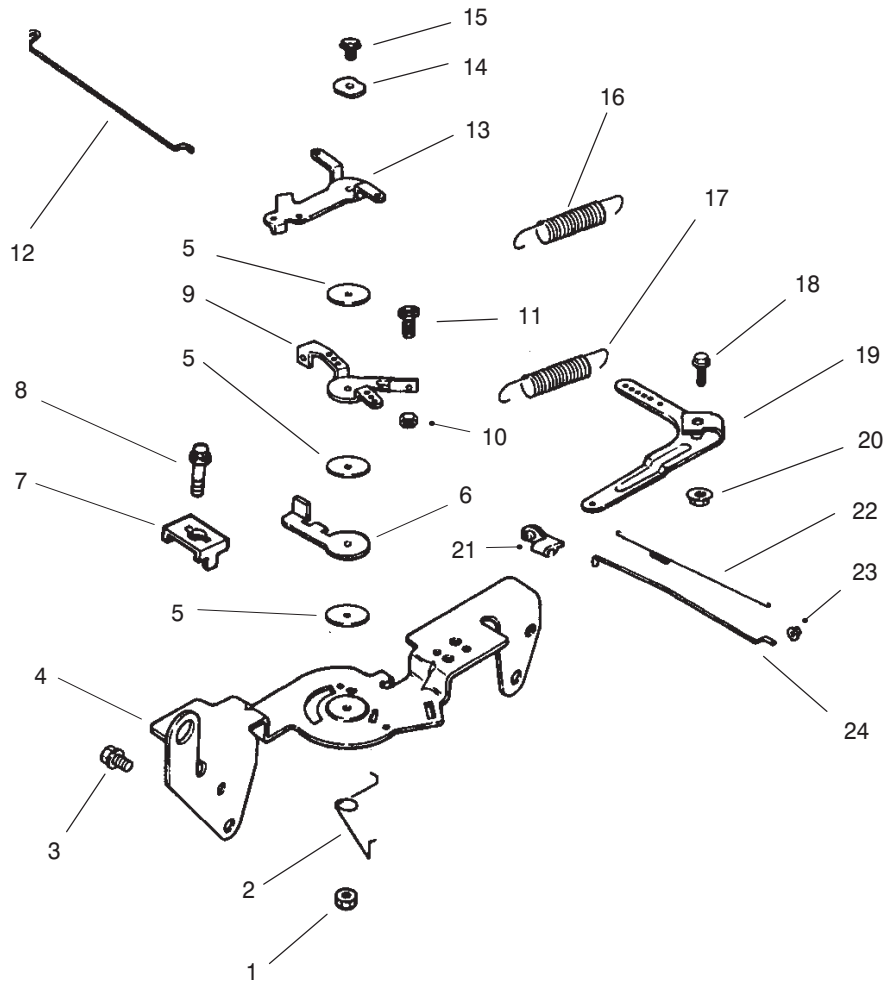


Fuel System Assembly (Engine: Kohler CH25S PS-68606)

Ref. No.	Part No.	Qty.	Description
1	25 353 10	2	Line-Fuel, 9"
2	X-426-9	6	Clamp-Hose
3	24 853 34	1	Kit-Carburetor (Incl. Ref.# 4-6)
4	24 041 06	1	Gasket-Base, Air Cleaner
{5	24 053 34	1	Carburetor ASM
6	24 041 17	1	Gasket-Carburetor
7	M-0651030	2	Screw-HF
8	24 050 02	1	Filter-Fuel
9	25 353 15	1	Line-Fuel
10	24 100 01	2	Nut-Plastic
11	24 393 04	1	Pump-Fuel-Pulse
12	24 086 12	2	Screw-Hex
13	24 353 02	1	Line-Fuel, 15-1/2"
14	M-0650012	1	Screw-HF
15	47 154 01	1	Clip-Cable
18	24 154 01	1	Clip-Needle Valve, Inlet
19	24 462 01	1	Valve-Needle, Inlet
20	24 086 09	4	Screw
21	24 041 09	1	Gasket-Body, Carburetor
22	24 153 02	1	O-Ring-Jet, Slow

Ref. No.	Part No.	Qty.	Description
23	24 337 29	1	Jet-Slow
24	24 757 02	1	Kit-Repair, Float
25	24 081 05	1	Housing-Pump
26	24 757 08	1	Kit-Repair, Accelerator Pump
27	24 079 07	1	Linkage-Rod
28	24 757 09	1	Kit Repair-Diagram, Accelerator Pump
29	24 090 16	1	Lever-Rod
30	24 079 06	1	Linkage-Rod
31	24 089 27	1	Spring-Linkage
32	24 090 15	1	Lever-Linkage
33	24 337 30	1	Jet-Main
34	24 086 10	1	Screw-Adjustment, Idle Speed
35	24 089 10	1	Spring-Adjustment, Idle Speed
36	24 757 01	1	Solenoid ASM Kit (Incl. Ref.# 37-42)
37	24 153 06	1	O-Ring-Solenoid
38	24 521 01	1	Seat-Solenoid
39	24 153 05	1	O-Ring-Solenoid
40	24 153 04	1	O-Ring-Solenoid
41	24 435 01	1	Solenoid

*Not Illustrated
Obtain parts from Kohler



Engine Controls Assembly (Engine: Kohler CH25S PS-68606)

Ref. No.	Part No.	Qty.	Description
1	M-0547050	1	Nut-Lock, Hex
2	24 089 03	1	Spring-Return, Choke
3	M-0645016	4	Screw-HF
4	24 126 56	1	Bracket-Control
5	24 468 01	3	Washer-Plain
6	24 090 07	1	Lever-Actuator, Throttle
7	12 237 01	2	Clamp-Cable
8	M-0545016	2	Screw-HF
9	24 090 03	1	Lever-Control, Throttle
10	M-0446030	1	Nut-Hex
11	M-0401030	1	Screw-Hex, Cap
12	24 079 02	1	Linkage-Choke
13	24 090 05	1	Lever-Choke
14	41 468 03	1	Washer-Spring
15	M-0545020	1	Screw-HF
16	24 089 38	1	Spring-Limiter, Throttle
17	24 089 15	1	Spring-Governor
18	SM-0642025	1	Screw-HF
19	24 090 14	1	Lever-Governor
20	M-0641060	1	Nut-HF
21	25 158 11	1	Bushing-Retaining, Linkage
22	24 089 01	1	Spring-Linkage

Ref. No.	Part No.	Qty.	Description
23	25 158 08	1	Bushing-Retaining, Linkage
24	24 079 01	1	Linkage-Throttle

Obtain parts from Kohler

