



Mid–Size Mower

ProLine Hydro with 52in. Side Discharge Mower

Model No. 30339—21000001 and Up

Parts Catalog

Ordering Replacement Parts

To order replacement parts, please supply: the part number, the quantity, and the description of each part desired.

Understanding Reference Numbers

Each identified part in an illustration has a reference number. The reference number for a part also appears in the parts list, along with other information about the part.

This catalog uses two special reference number formats, one to indicate parts in a service assembly and another to indicate the quantity of a given part in an illustration.

Service Assembly Reference Numbers

Parts in service assemblies have reference numbers in the form **a:b**. The **a** represents the reference number of the entire service assembly and the **b** represents a sequential number unique to each part within the service assembly.

For example, a wheel assembly might be identified by reference number **6**, the tire by **6:1**, the valve by **6:2**, and the wheel by **6:3**. When you order the assembly identified by reference number **6**, you receive all parts identified by reference numbers **6:1**, **6:2**, and **6:3**. However, you may also order any part individually.

Reference numbers of this type appear in illustrations and in part lists.

Reference Numbers Indicating Quantity

In an illustration, if a reference number indicates more than one part, the reference number has the form **nX y**. The **n** represents the quantity of the part, the **X** is the multiplication symbol, and the **y** represents the reference number.

For example, in an illustration, the reference number **2X 37** means that two of the parts identified by reference number **37** are indicated.

Contents

Description	Page	Description	Page
Engine and Clutch Assembly	4	Piston/Crankshaft Assembly	
Clutch Assembly No. 54–3200	5	Kawasaki FH451V–AS08	22
Fuel Tank, Hydraulic Tank, Pump and Filter Assembly	6	Lubrication–Equipment Assembly	
Wheel Motor, Pump Idler and Belt Assembly ..	7	Kawasaki FH451V–AS08	23
Lower Control Assembly	8	Cooling–Equipment Assembly	
Hydraulic Hose Assembly	9	Kawasaki FH451V–AS08	24
Upper Handle Assembly	10	Electric–Equipment Assembly	
Control Panel Assembly	11	Kawasaki FH451V–AS08	26
Deck Assembly	12	Control–Equipment Assembly	
Spindle, Idler Pulley and Belt Assembly	13	Kawasaki FH451V–AS08	28
Spindle Housing Assembly No. 104–6316	14	Carburetor Assembly	
Spindle Housing Assembly No. 104–6314	15	Kawasaki FH451V–AS08	30
Carrier Frame Assembly	16	Air–Filter/Muffler Assembly	
Decal – Kawasaki FH451V–AS08	17	Kawasaki FH451V–AS08	32
Cylinder/Crankcase Assembly		Fuel–Tank/Fuel–Valve Assembly	
Kawasaki FH451V–AS08	18	Kawasaki FH451V–AS08	33
Valve/Camshaft Assembly		Starter–Kawasaki FH451V–AS08	34
Kawasaki FH451V–AS08	20	Electrical Schematic	35

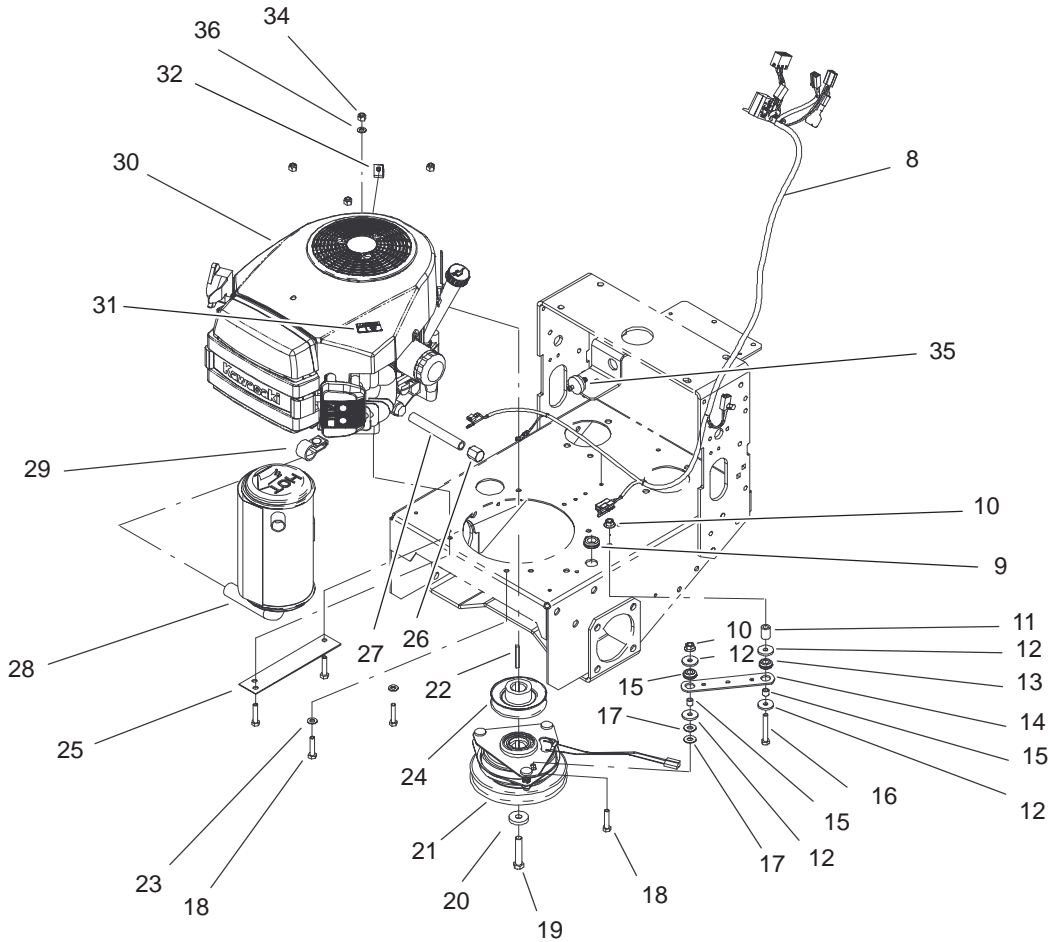
Accessories

Description	Model / Part No.	Description	Model / Part No.
Parking Brake Assembly Kit	105–0898	Recycler Kit	59225
Mid–Size Sulky	30123	Mulching Kit	59227
ProLine Mid–Size Platform Sulky	30110	Blade Assembly–Atomic 18	104–1301
Soft Bagger	30104	Blade	56–2390
Steel Bagger	30107	Blade	92–7961
Striping Kit	30121		

Part Description Abbreviations

Part descriptions in this catalog may include the following abbreviations.

Abbreviation	Meaning	Abbreviation	Meaning
AR	as required	HYD	hydraulic
ASM	assembly	INC	incorporated
CARR	carriage	LH	left hand
DEG	degrees	NI	nylon insert
FH	flat head	PPH	Phillips pan head
GA	gauge	PTH	Phillips truss head
HF	hex flange	PTO	power take off
HH	hex head	RH	right hand
HHF	hex head flange	SFH	slotted fillister head
HLH	hex lag head	SHH	slotted hex head
HJ	hex jam	SQH	square head
HOC	height-of-cut	SHWH	slotted hex washer head
HS	hex socket	SPH	slotted pan head
HSBH	hex socket button head	SRH	slotted round head
HSFH	hex socket flat head	STD	standard
HSH	hex socket head	TAP	self tapping
HWH	hex washer head	TTH	Torx truss head
HWHTF	hex washer head thread forming	WH	wing head



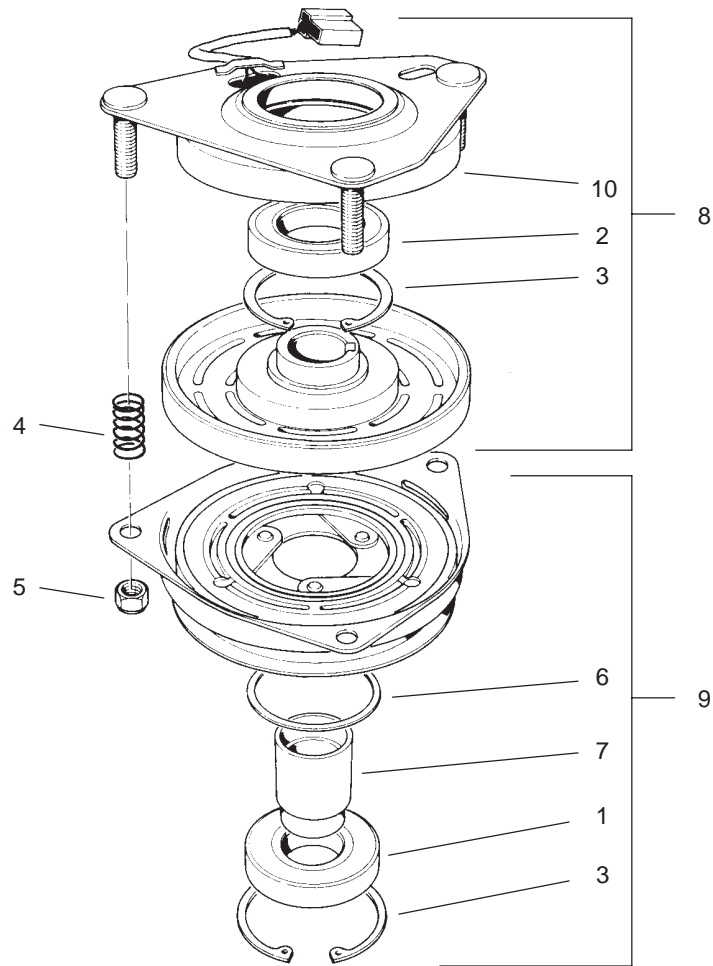
Sheet No.: 3

Engine and Clutch Assembly

Ref. No.	Part No.	Qty.	Description
8	104-9822	1	Harness-Wire
9	237-124	1	Grommet
10	32128-20	2	Nut-HF
11	104-6373	1	Tube - Retainer
12	1-613235	4	Washer
13	1-633630	2	Grommet-Brake
14	1-633543	1	Strap-Clutch/Brake
15	1-633545	2	Spacer-Grommet
16	322-11	1	Screw-HH
17	3256-3	2	Washer-Flat
18	322-7	5	Screw-HH
19	3212-9	1	Screw-HH
20	112843	1	Washer
21	54-3200	1	Clutch/Brake
22	608006	1	Key
23	3256-23	2	Washer-Flat
24	44-5940	1	Pulley
25	94-5847-01	1	Cover - Pulley
26	288-10	1	Cap-Pipe
27	289-19	1	Nipple
28	100-6467	1	Muffler
29	100-6468	1	Clamp-Muffler
☆30		1	Engine-Kawasaki, Fh451v-As08
31	63-8440	1	Decal-Surface, Hot
32	2412-87	1	Clamp-Cable

Ref. No.	Part No.	Qty.	Description
34	3296-29	4	Nut-Lock NI
35	56-6360	1	Filter-Fuel
36	3255-8	1	Washer-Lock/Ext

☆ Not serviced

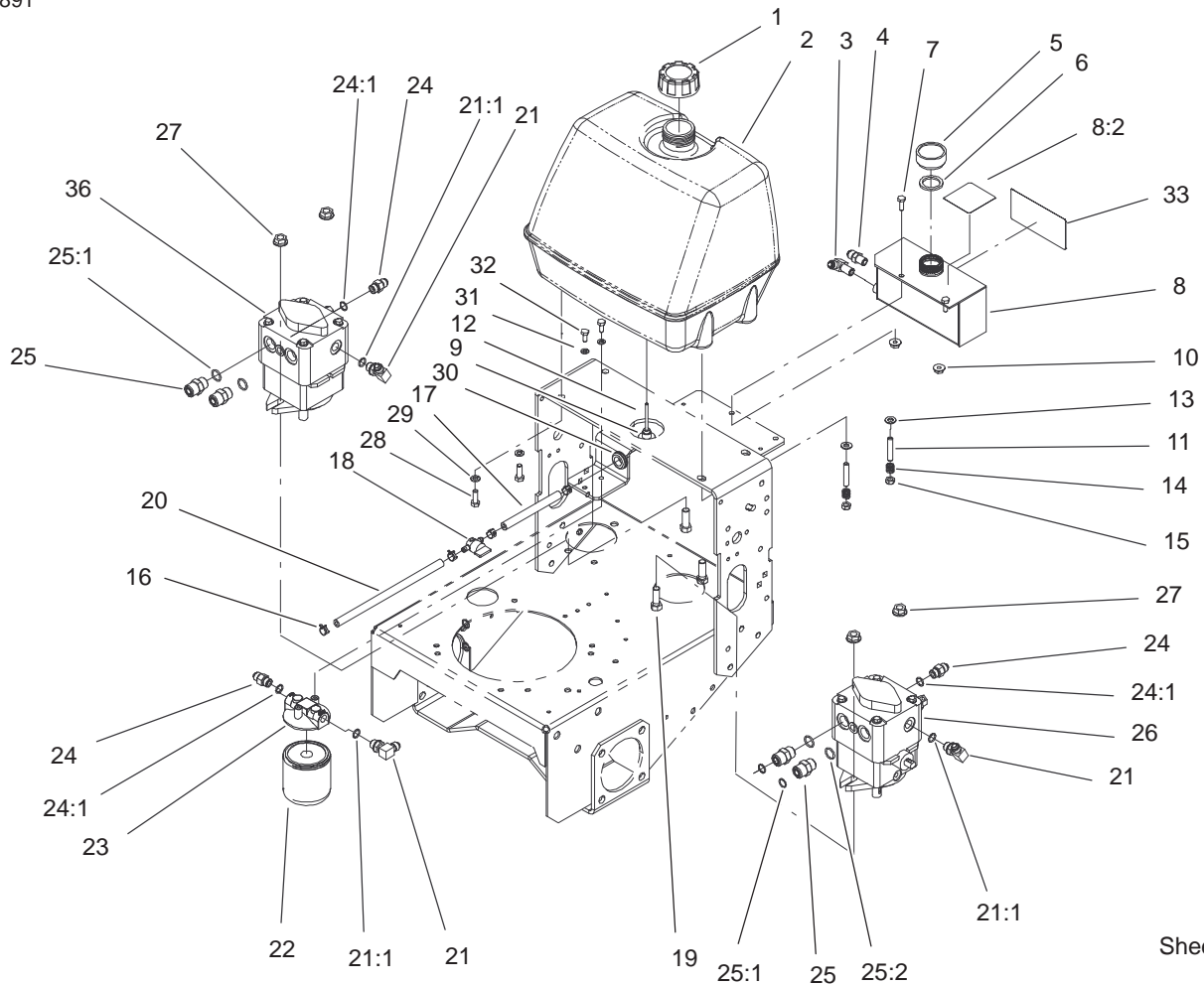


Sheet No.: A1
T-3726

Clutch Assembly No. 54-3200

Ref. No.	Part No.	Qty.	Description
1	251-291	1	Bearing-Pulley
2	251-292	1	Bearing-Field
3	44-8310	2	Ring-Retaining
4	44-8320	3	Spring
5	3296-6	3	Nut-Lock, NI
6	44-8330	1	Spacer-Bearing, Pulley
7	44-8340	1	Collar-Bearing
8	44-8360	1	Field Coil-Rotor / Bearing ASM
9	44-8370	1	Armature / Pulley / Bearing ASM
10	54-0230	1	Field Bearing ASM

Ref. No.	Part No.	Qty.	Description

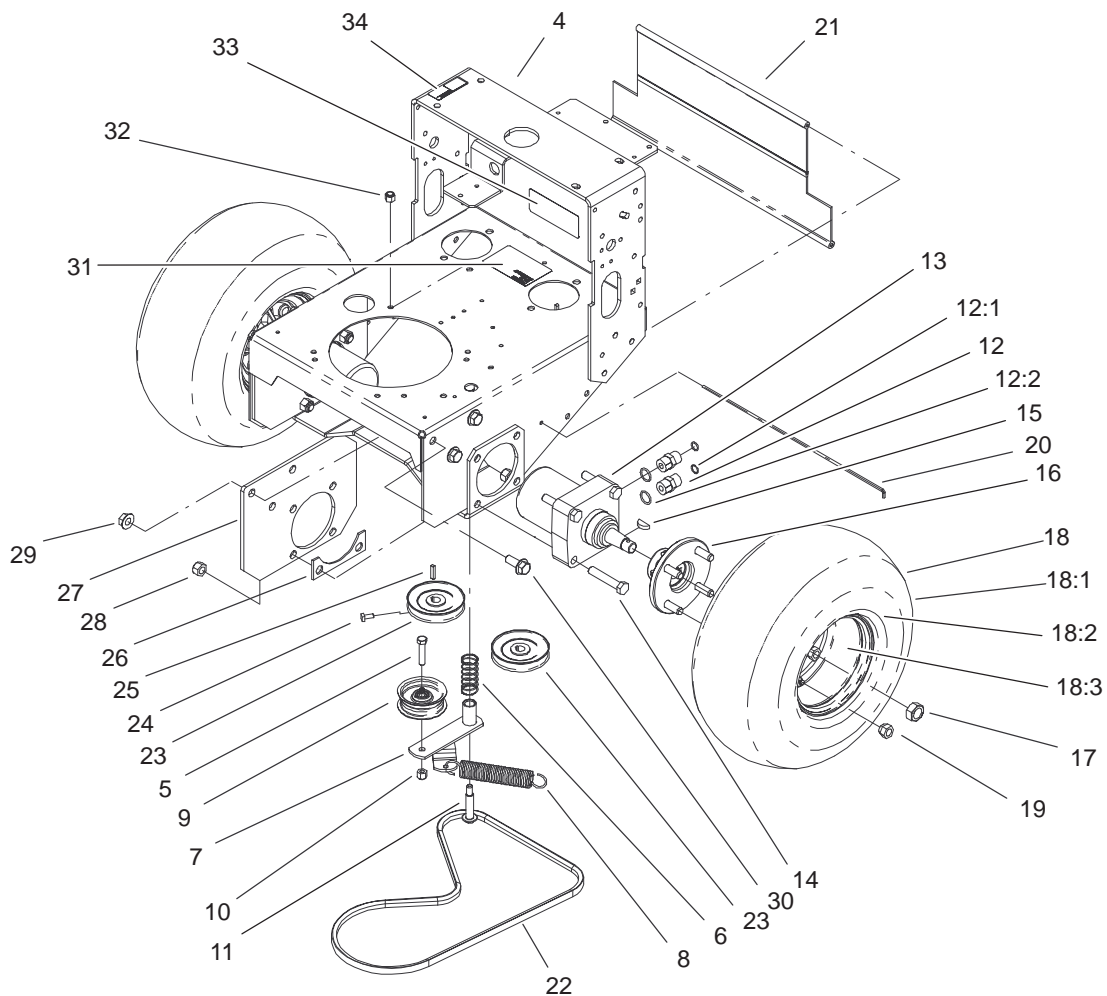


Sheet No.: 4

Fuel Tank, Hydraulic Tank, Pump and Filter Assembly

Ref. No.	Part No.	Qty.	Description
1	55-3570	1	Gas Cap ASM
2	1-323551	1	Tank-Fuel
3	1-603988	1	Fitting-Elbow
4	1-513510	1	Fitting-Straight
5	1-513167	1	Cap
6	1-523103	1	Gasket-Cap, Tank
7	321-4	2	Screw-HH
8	99-4625	1	Hydraulic Tank ASM
8:2	1-523552	1	Decal-Tank, Hydraulic
9	1-513645	1	Bushing-Valve, Fuel
10	32128-33	2	Nut-HF
11	104-8121	2	Stud-Threaded
12	1-543277	1	Elbow-Tank, Fuel
13	3256-23	4	Washer-Flat
14	1-633349	2	Spring-Tank, Fuel
15	3296-47	2	Nut-Lock, NI
16	2412-98	4	Clamp
17	47-2980	1	Hose-Gas
18	1-603770	1	Valve-Fuel
19	324-5	4	Screw-HH
20	47-2982	1	Hose-Gas
21	105-0858	3	Fitting-90°
21:1	237-42	1	O-Ring
22	1-633750	1	Filter-HYD
22	1-633752	1	Filter-HYD, Winter
23	104-7836	1	Head - Filter

Ref. No.	Part No.	Qty.	Description
24	353-384	3	Fitting-Straight
24:1	237-42	1	O-Ring
25	340-4	4	Adapter
25:1	237-30	1	O-Ring
25:2	237-79	1	O-Ring
26	104-1167	1	Pump-Hydraulic
27	32128-42	4	Nut-HF
28	322-4	2	Screw-HH
29	3253-4	2	Washer-Lock
30	237-124	1	Grommet
31	3253-3	2	Washer-Lock
32	321-3	2	Screw-HH
33	104-8172	1	Decal-Mobil 1
36	105-4101	1	Pump-Hydraulic

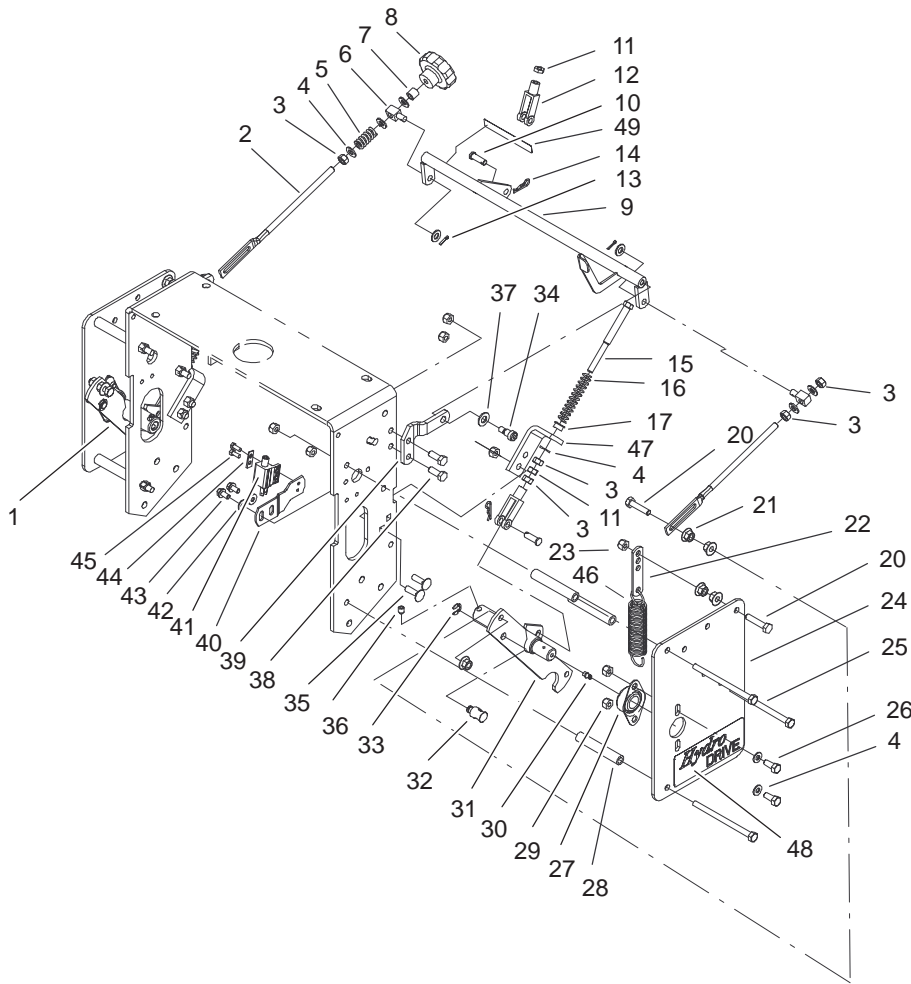


Sheet No.: 5

Wheel Motor, Pump Idler and Belt Assembly

Ref. No.	Part No.	Qty.	Description
4	104-1100-01	1	Frame ASM
5	323-9	1	Screw-HH
6	88-1880	1	Spring-Compression
7	86-4770	1	Idler Lever ASM
8	68-2190	1	Spring
9	62-4540	1	Pulley
10	3296-39	1	Nut-Lock, NI
11	27-6230	1	Bolt-Wheel
12	340-6	4	Fitting-Straight, HYD
12:1	237-30	1	O-Ring
12:2	237-80	1	O-Ring
13	104-1171	2	Motor-Wheel
14	325-11	8	Screw-HH
15	80-6090	2	Key - Pump
16	105-0800	2	Wheel Hub/Stud ASM
17	85-7310	2	Nut-Motor, Wheel
18	104-1198	2	Wheel And Tire ASM
18:1	104-6320	1	Tire
18:2	104-1199	1	Wheel
18:3	232-27	1	Stem-Valve
19	242-50	8	Nut-Lug
20	95-1529	1	Rod-Shield
21	95-1526	1	Shield-Trailing
22	82-4110	1	V-Belt
23	95-1528	2	Pulley - Pump
24	3241-5	4	Screw-Set

Ref. No.	Part No.	Qty.	Description
25	3257-8	2	Key-Woodruff
26	86-4740-01	2	Spacer - Frame
27	104-6326-01	2	Plate-Frame
28	3296-23	8	Nut-Lock, NI
29	32128-23	6	Nut-HF
30	3234-22	2	Screw-HHF
30	3234-32	4	Screw-HHF
31	95-1543	1	Decal-Adjustment, Valve
32	3296-6	1	Nut-Lock, NI
33	98-0776	1	Decal-Caution
34	95-2814	1	Decal-Shut Off, Fuel

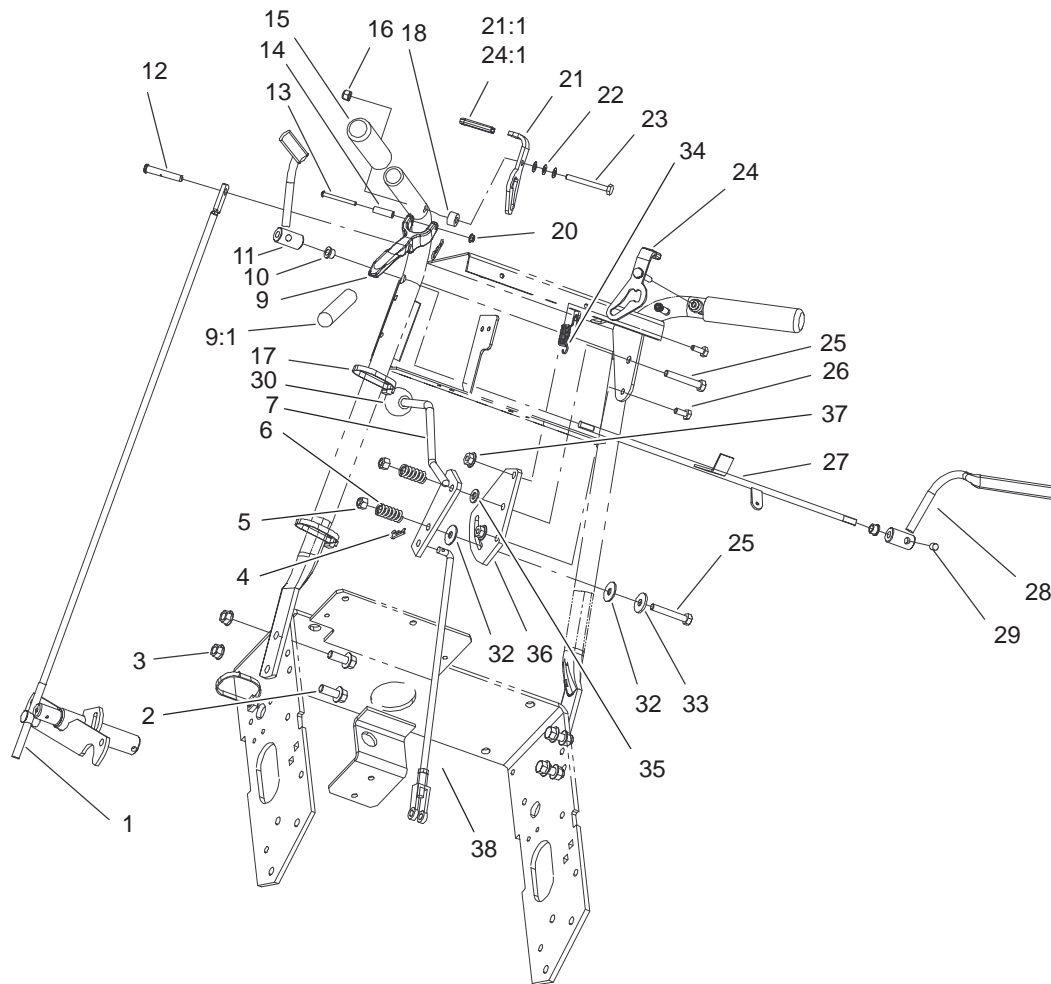


Sheet No.: 6

Lower Control Assembly

Ref. No.	Part No.	Qty.	Description
1	104-9810	1	Shaft Control ASM-RH
2	1-413350	2	Link,Speed Control
3	3219-2	7	Nut-Hex
4	3256-23	13	Washer-Flat
5	1-323245	2	Spring-Compression
6	1-603676	2	Swivel,Short Adjustable
7	1-603903	1	Spacer
8	1-413151	1	Knob,Tracking
9	104-9807-01	1	Crank-Speed Control
10	1-808280	3	Pin-Clevis
11	3220-2	3	Nut
12	1-303105	3	Yoke-Adjustable
13	3272-5	2	Pin-Cotter
14	3290-307	3	Pin-Hair
15	1-603737	2	Bolt-Return, Neutral
16	1-603807	2	Spring-Return, Neutral
17	1-603735	2	Bushing-Flanged
20	1-403180	4	Screw-HH
21	32128-20	10	Nut-HF
22	1-613089	2	Tab, Spring Extension
23	32128-25	2	Nut-Flange
24	104-9817-01	2	Plate-Side, Hydro
25	322-38	6	Screw-HH

Ref. No.	Part No.	Qty.	Description
26	322-3	4	Screw-HH
27	1-633102	2	Bearing-Flange, Side
28	104-9820	6	Spacer-Shield
29	3296-29	18	Nut-Lock NI
30	302-5	2	Fitting-Grease
31	104-9815	1	Shaft Control ASM-LH
32	103-1235	2	Swivel-Drive Lever
33	32151-47	2	Ring-Retaining
34	1-809056	2	Screw
35	3230-2	4	Screw-CARR
36	3246-3	4	Screw-HS
37	3256-24	2	Washer-Flat
38	322-4	4	Screw-HH
39	104-9827-01	1	Crank Support ASM
40	104-9836-01	1	Bracket-Neutral
41	95-1653	1	Switch - Single Pole
42	3256-1	4	Washer-Flat
43	32144-4	4	Screw-HWH
44	82-4570	1	Plate-Switch
45	32144-1	4	Screw-Taptite
46	1-603693	2	Spring,Extension
47	104-9802-01	2	Bracket-Spring Mount
48	82-4600	2	Decal-Hydro
49	105-4109	1	Decal-Tracking

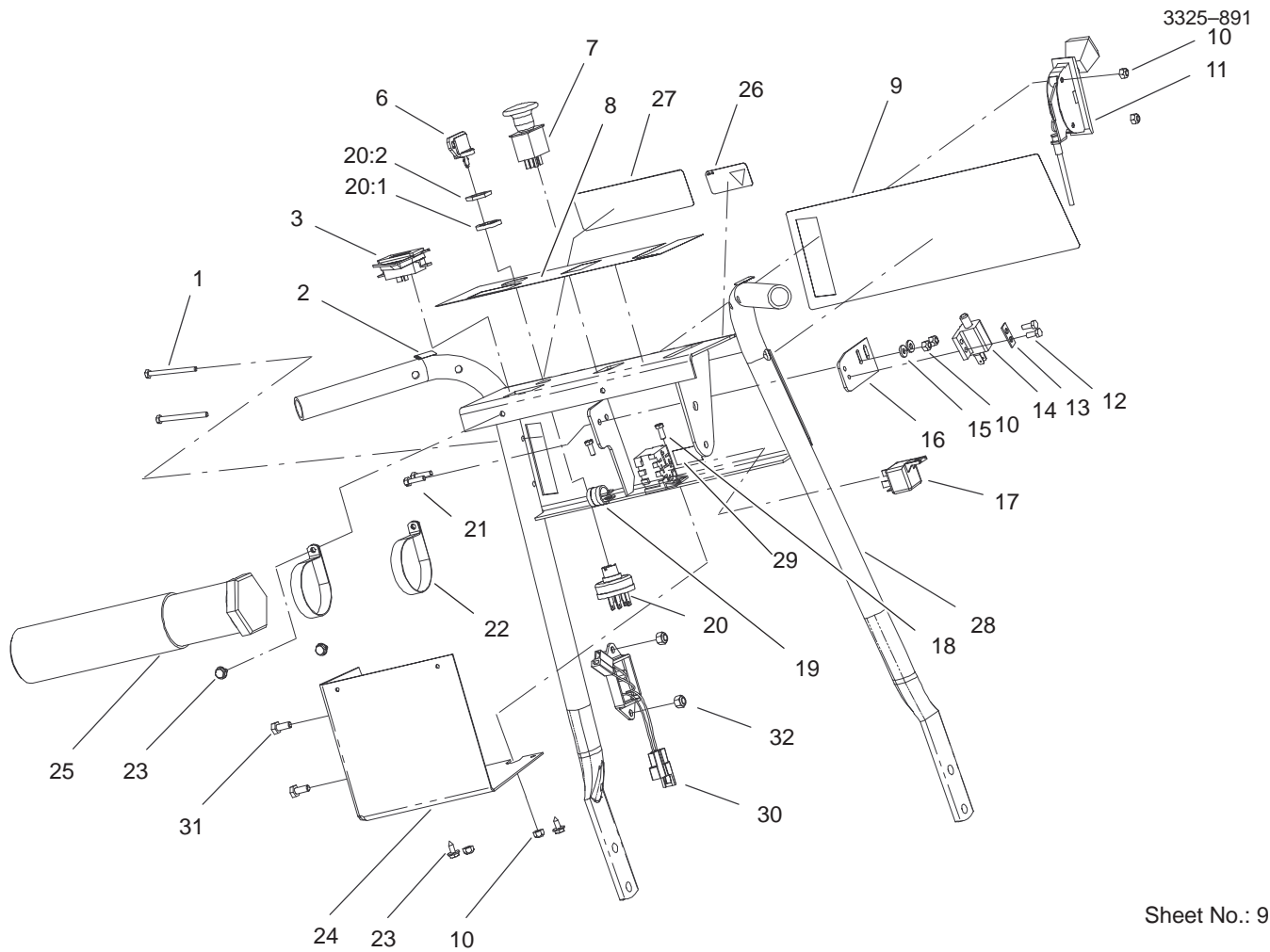


Sheet No.: 8

Upper Handle Assembly

Ref. No.	Part No.	Qty.	Description
1	1-413219	2	Rod-Drive Lever
2	3234-11	4	Screw-HHF
3	32128-21	4	Nut-HF
4	3290-307	3	Pin-Hair
5	3296-29	2	Nut-Lock NI
6	1-323245	2	Spring-Compression
7	1-602733	1	Lever - Shift
9	1-302006	2	Drive Lever ASM
9:1	1-303021	1	Grip-Lever, Drive
10	1-303365	2	Bushing-Nylon
11	1-412183-03	1	Lever-LH
12	1-808286	2	Pin-Clevis
13	1-808250	2	Pin-Clevis
14	1-806340	2	Pin-Roll
15	104-9838	2	Grip-Foam
16	3296-42	4	Nut-Lock, NI
17	3290-378	3	Tie-Cable
18	1-323549	2	Spacer
20	1-803001	2	Nut
21	104-6261	1	Thumb Latch ASM, LH
21:1	1-303019	1	Grip-Latch
22	1-303435	6	Washer-Spring
23	321-18	2	Screw-HH
24	104-6262	1	Thumb Latch ASM, RH
24:1	1-303019	1	Grip-Latch
25	322-11	2	Screw-HH

Ref. No.	Part No.	Qty.	Description
26	321-3	2	Screw-HH
27	104-9803	1	Rod ASM
28	1-412185-03	1	Lever-RH
29	1-803322	2	Screw-Set
30	233-42	1	Knob
32	1-323244	2	Washer-Friction
33	1-603716	1	Washer-Friction
34	1-303363	1	Spring-Extension
35	3256-23	1	Washer-Flat
36	1-603730	1	Plate-Shifter Lever
37	32128-33	2	Nut-HF
38	105-4103	1	Rod-Speed Control

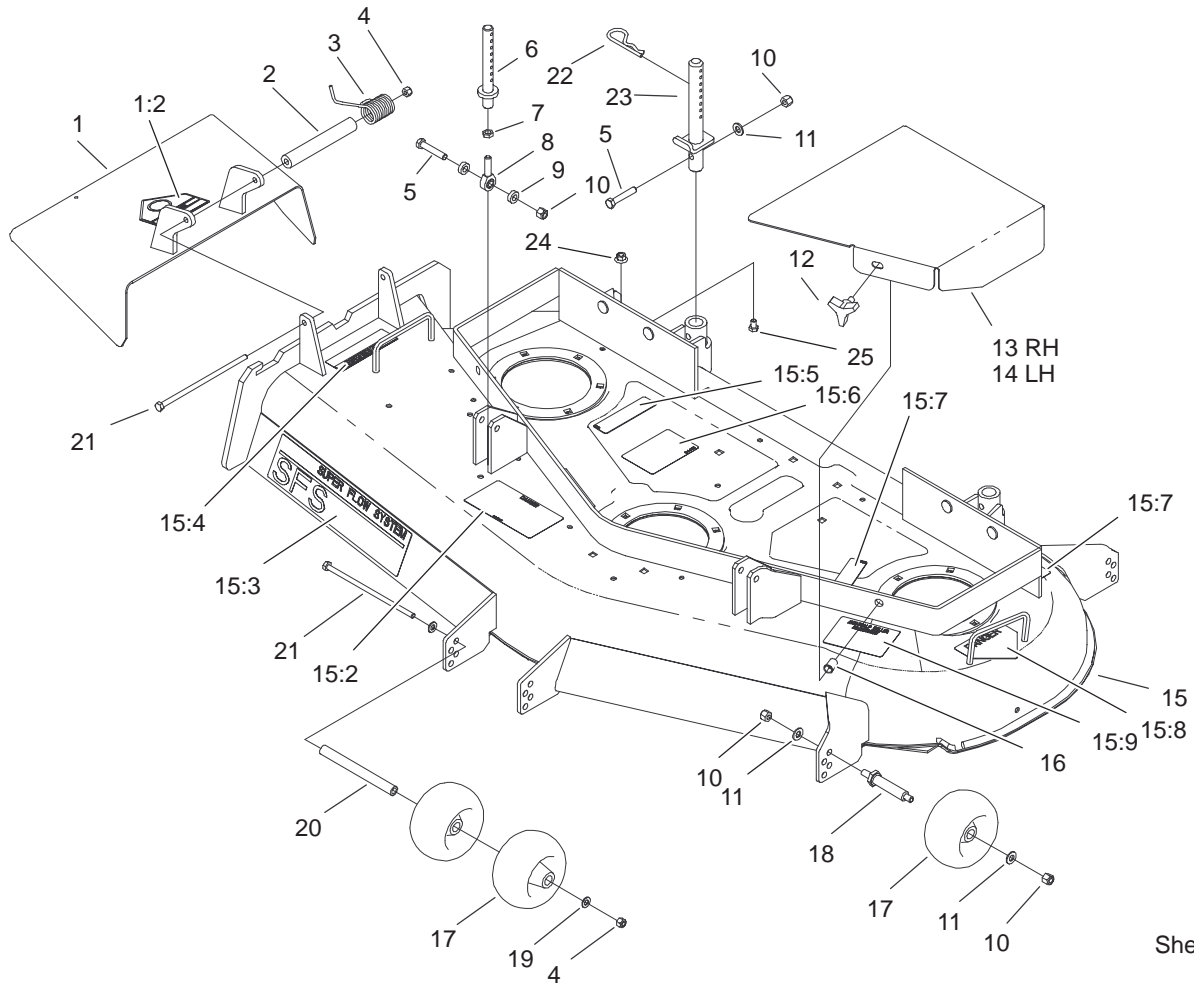


Sheet No.: 9

Control Panel Assembly

Ref. No.	Part No.	Qty.	Description
1	32105-14	2	Screw
2	105-4110	2	Decal-Neutral Lock
3	104-8143	1	Hourmeter
6	63-8360	1	Key-Ignition
7	95-7489	1	Switch - PTO
8	105-4106	1	Decal-Warning
9	105-4108	1	Decal-Proline
10	3296-2	6	Nut-Lock
11	105-4113	1	Control-Throttle
12	32144-1	2	Screw-Taptite
13	82-4570	1	Plate-Switch
14	95-1653	1	Switch - Single Pole
15	3256-14	2	Washer-Flat
16	105-4137-03	1	Plate-Switch Mounting
17	105-4145	1	Relay - S.p.d.t.
18	3290-321	2	Screw-HWH
19	2412-134	1	R-Clamp
20	29-5560	1	Switch-On Off
20:1	218-461	1	Nut-HH
20:2	3254-5	1	Washer-Lock, Internal
21	32105-13	2	Screw-SHH
22	2412-120	2	R-Clamp
23	32104-76	4	Screw
24	105-4112-03	1	Bracket-Cover
25	74-0720	1	Tube-Manual
26	98-4387	1	Decal-Protection, Ear

Ref. No.	Part No.	Qty.	Description
27	82-4590	1	Decal - Warning
28	105-4139	1	Handle ASM
29	105-4146	1	Decal-Relay 24 Volt
30	105-4608	1	Module-Filter
31	321-3	2	Screw-HH
32	3296-42	2	Nut-Lock, NI

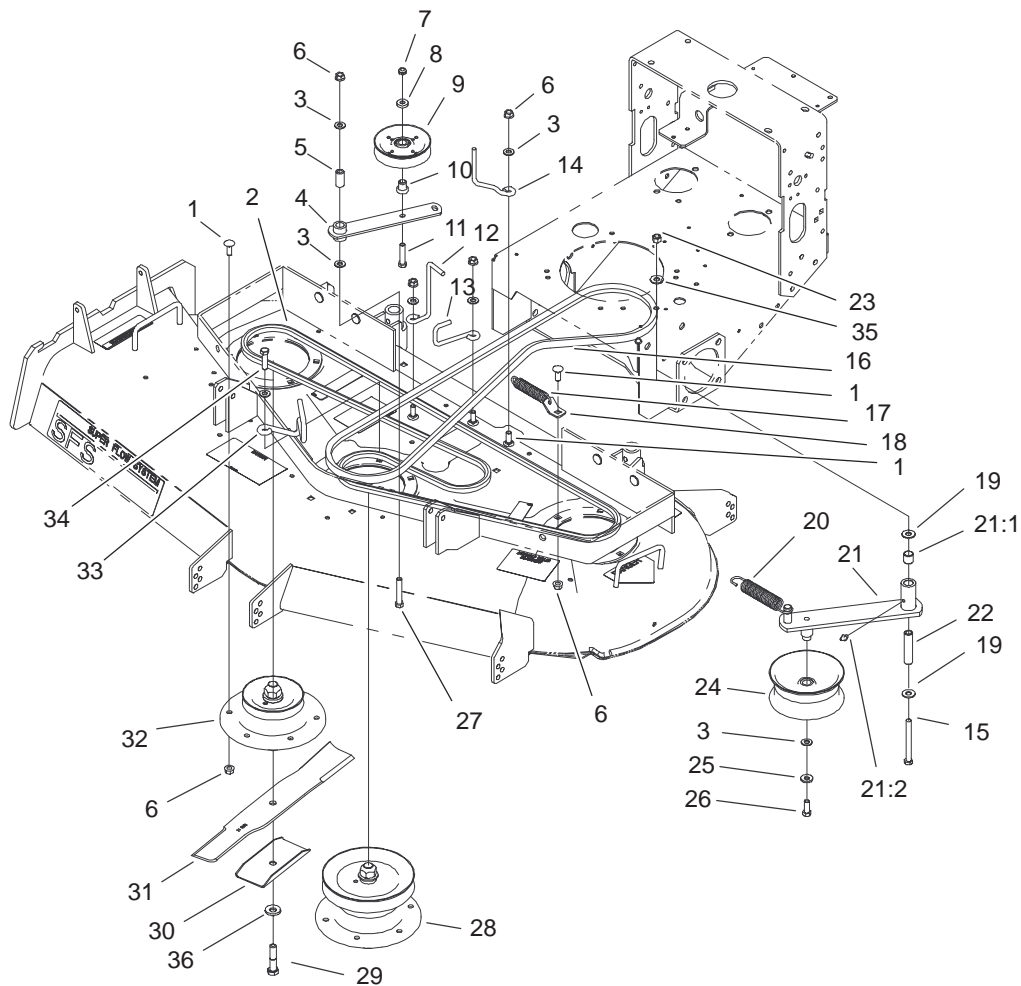


Sheet No.: 2

Deck Assembly

Ref. No.	Part No.	Qty.	Description
1	104-7753	1	Deflector ASM
1:2	54-9220	1	Decal-Danger
2	104-8555	1	Spacer-Mounting, Deflector
3	104-8554	1	Spring-Torsion
4	3296-29	2	Nut-Lock
5	323-10	4	Screw-HH
6	105-0832	2	Link-Support
7	3220-3	2	Nut-Jam
8	1-613204	2	Balljoint
9	104-1156	4	Spacer
10	3296-39	12	Nut-Lock, NI
11	3256-24	10	Washer-Flat
12	104-8587	2	Knob
13	104-8118-01	1	Cover-Belt,Right
14	104-8117-01	1	Cover-Belt,Left
15	104-6394	1	Deck ASM
15:2	66-1340	1	Decal-Danger
15:3	98-5953	1	Decal-Sfs
15:4	104-8569	1	Decal-Deflector Warning
15:5	67-5360	3	Decal-Danger
15:6	104-8186	1	Decal-Belt Routing
15:7	68-8340	1	Decal-Torque
15:8	43-8480	1	Decal-Danger
15:9	105-0840	1	Decal-Anti Scalp

Ref. No.	Part No.	Qty.	Description
16	32148-10	2	Insert-Threaded
17	68-2730	6	Wheel-Gage
18	99-2842	4	Spacer-Wheel
19	3256-23	2	Washer-Flat
20	98-5967	1	Spacer - Wheel
21	322-50	2	Screw-Cap
22	3290-256	6	Pin-Hair
23	105-0831	2	Rod ASM
24	32128-20	7	Nut-HF
25	322-1	7	Screw-HH

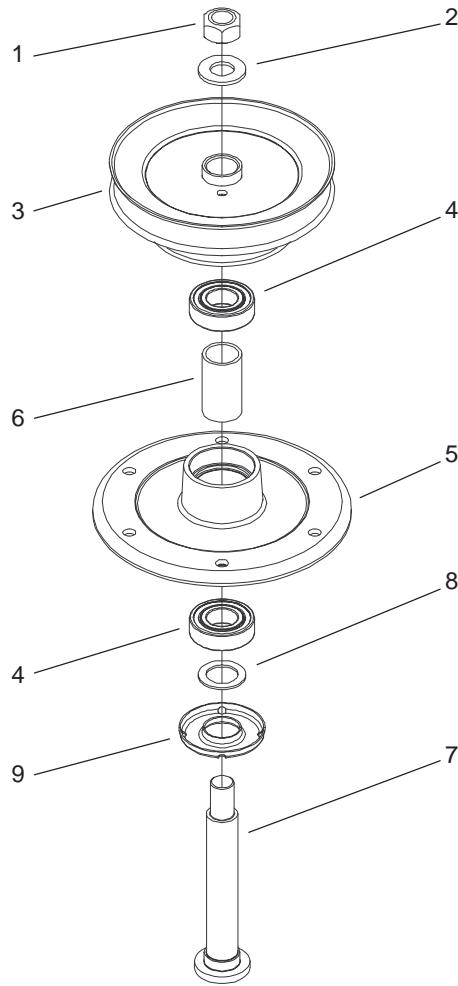


Sheet No.: 3

Spindle, Idler Pulley and Belt Assembly

Ref. No.	Part No.	Qty.	Description
1	3231-22	19	Screw-CARR
2	104-6397	1	V-Belt, Deck
3	3256-24	7	Washer-Flat
4	104-6375	1	Idler Arm ASM
5	51-3640	1	Sleeve-Pivot, Idler
6	32128-21	21	Nut-HF
7	3296-5	1	Nut-Lock NI
8	7-0081	1	Washer-Flat
9	65-5940	1	Pulley-Idler
10	104-6379	1	Bushing-Pulley
11	3211-8	1	Screw-HH
12	98-5980	1	Guide - Belt
13	104-6396	1	Guide-Belt
14	52-4780	1	Rod-Belt
15	323-42	1	Screw-HH
16	104-6398	1	V-Belt, PTO
17	51-3650	1	Spring-Extension
18	104-6374	1	Plate - Spring
19	1-809107	2	Washer-Hardened
20	104-8161	1	Spring-Extension
21	104-6370	1	Idler Arm ASM
21:1	1-513034	2	Sleeve-Bearing
21:2	302-5	1	Fitting-Grease
22	104-6377	1	Tube - Idler
23	3296-39	1	Nut-Lock, NI
24	1-413099	1	Pulley-Idler

Ref. No.	Part No.	Qty.	Description
25	98-5975	1	Washer-Belleville
26	323-6	1	Screw-HH
27	323-11	1	Screw-HH
28	104-6315	1	Spindle Housing ASM
29	44-2200	3	Screw-Blade
30	92-9820	3	Stiffener-Blade
31	27-0990	3	Blade
32	104-6317	2	Spindle Housing ASM
33	105-0850	1	Guide-Belt
34	323-8	1	Screw-HH
35	3256-4	1	Washer-Flat
36	3256-6	3	Washer-Flat

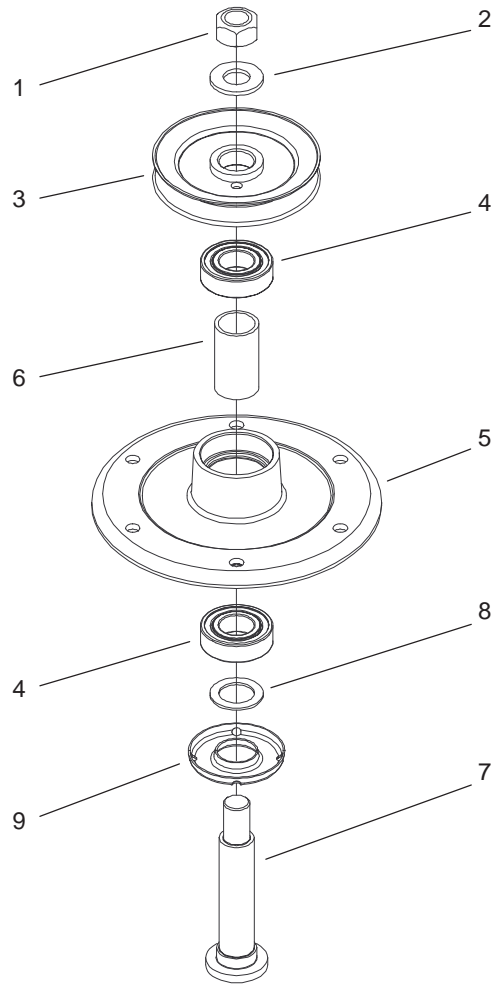


Sheet No.: A1
C-3011

Spindle Housing Assembly No. 104-6315

Ref. No.	Part No.	Qty.	Description
1	3219-7	1	Nut-Hex
2	7-4150	1	Washer-Pinion
3	104-1117	1	Pulley And Hub ASM
4	104-6325	2	Bearing
5	104-6307	1	Spindle Housing
6	104-6313	1	Spacer-Bearing
7	104-6311	1	Shaft-Spindle
8	88-7540	1	Washer-Backup
9	79-1920	1	Shield-Bearing

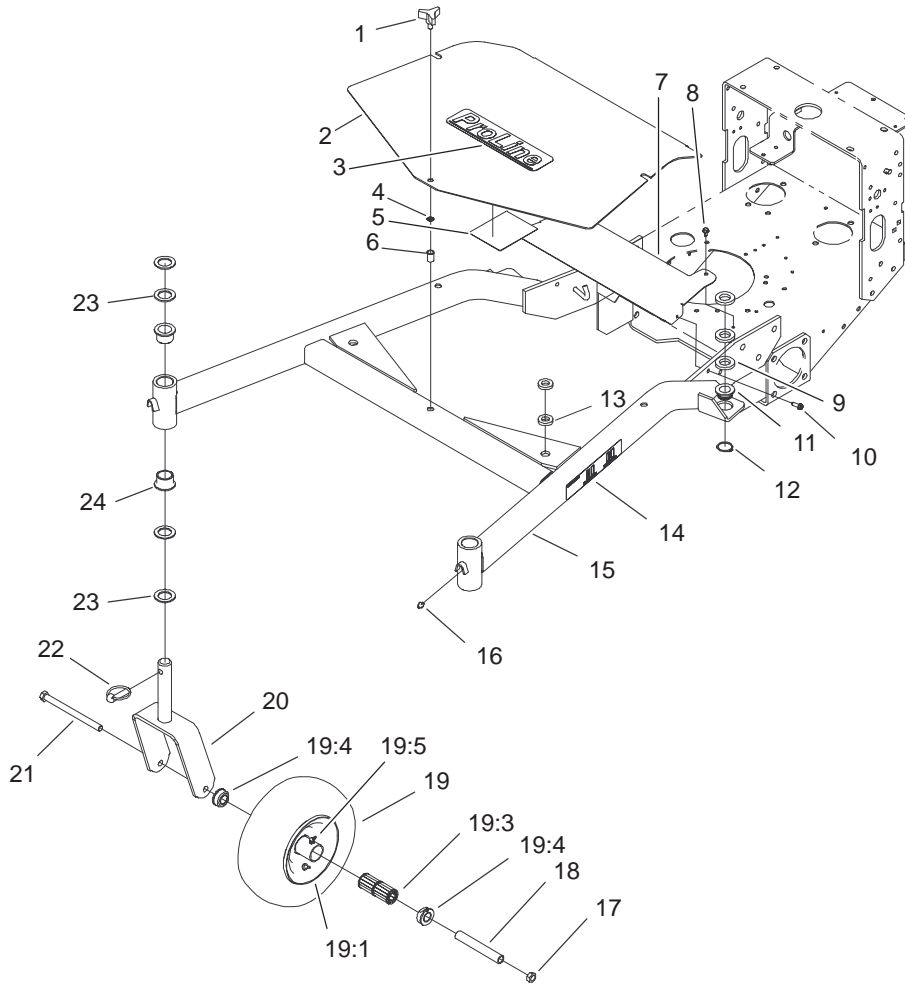
Ref. No.	Part No.	Qty.	Description



Sheet No.: A2
C-3012

Spindle Housing Assembly No. 104-6317

Ref. No.	Part No.	Qty.	Description	Ref. No.	Part No.	Qty.	Description
1	3219-7	1	Nut-Hex				
2	7-4150	1	Washer-Pinion				
3	104-1118	1	Pulley And Hub ASM				
4	104-6325	2	Bearing				
5	104-6307	1	Spindle Housing				
6	104-6313	1	Spacer-Bearing				
7	104-6310	1	Shaft-Spindle				
8	88-7540	1	Washer-Backup				
9	79-1920	1	Shield-Bearing				



Sheet No.: 4

Carrier Frame Assembly

Ref. No.	Part No.	Qty.	Description
1	104-8587	3	Knob
2	104-8153-01	1	Cover-Carrier Frame
3	74-2080	1	Decal-Proline
4	32151-72	1	Ring-Retaining
5	105-4144	1	Decal-Service
6	32148-9	3	Nut-Insert
7	105-0845-01	1	Shield-Heat
8	12-3270	2	Screw
9	104-1105	6	Spacer-Deck Support
10	49-2040	2	Screw-Tapping
11	1-513336	2	Bushing - Deck
12	32120-33	2	Ring-Retaining
13	105-0842	4	Spacer
14	104-8171	2	Decal-HOC
15	104-1109-01	1	Carrier Frame ASM
16	302-5	2	Fitting-Grease
17	32153-5	2	Nut-Lock
18	104-1189	2	Bushing-Spanner
19	104-1170	2	Castor Wheel ASM
19:1	104-1169	1	Tire And Tube ASM
19:3	62-5570	2	Bearing-Roller
19:4	62-5580	2	Bearing-Outside
19:5	302-11	1	Fitting-Lube 45°
20	104-1183-01	2	Castor Fork ASM
21	325-33	2	Screw-HH
22	283-71	2	Pin-Lynch

Ref. No.	Part No.	Qty.	Description
23	3-6781	8	Washer-Thrust
24	94-1291	4	Bushing-Special

56080A



56033



56080

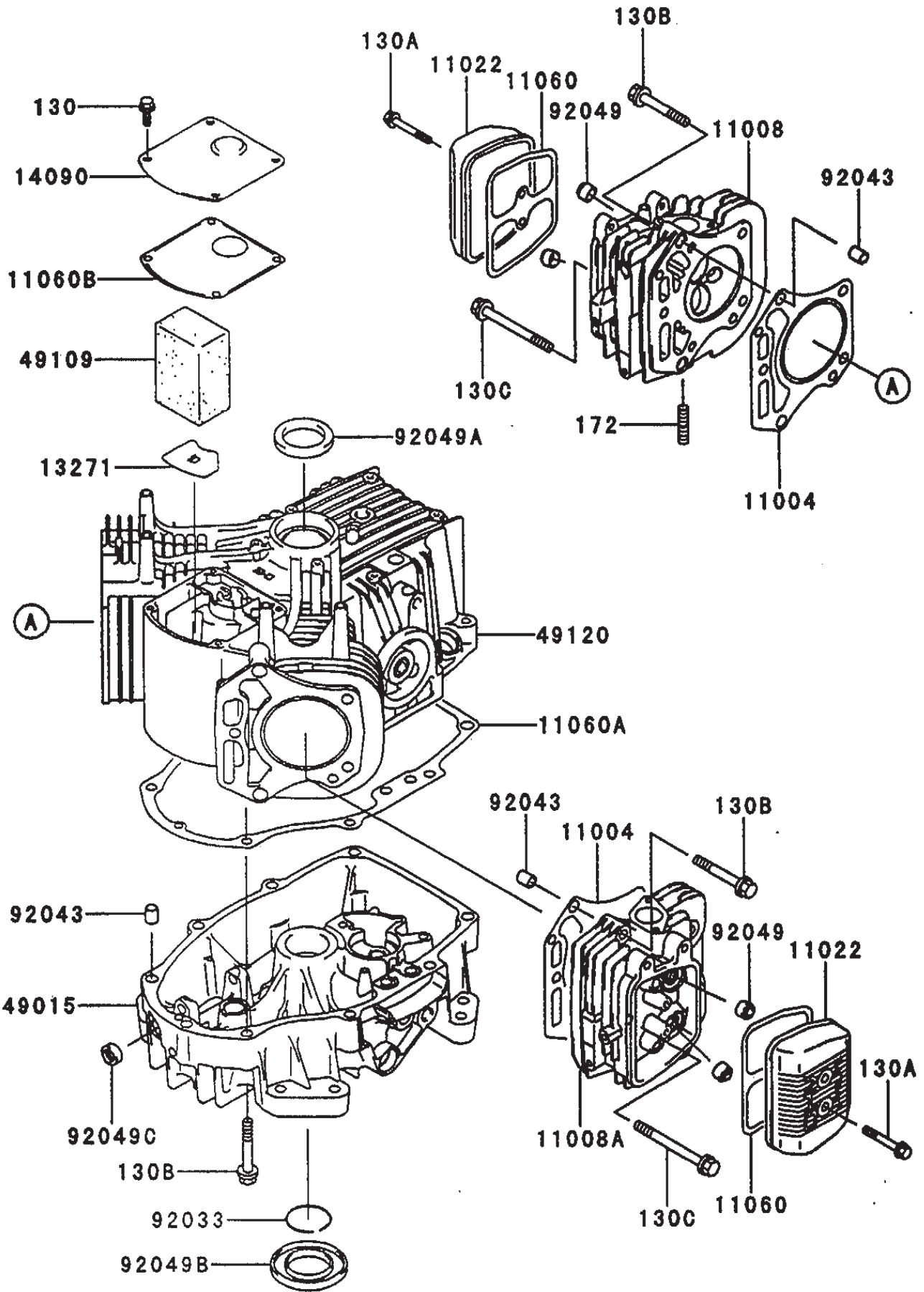


Decal – Kawasaki FH451V-AS08

Ref. No.	Part No.	Qty.	Description
56033	56033-7001	1	Label-Manual
56080	56080-2077	1	Label-Brand
56080A	56080-7010	1	Label-Brand

Ref. No.	Part No.	Qty.	Description

Cylinder/Crankcase Assembly Kawasaki FH451V-AS08

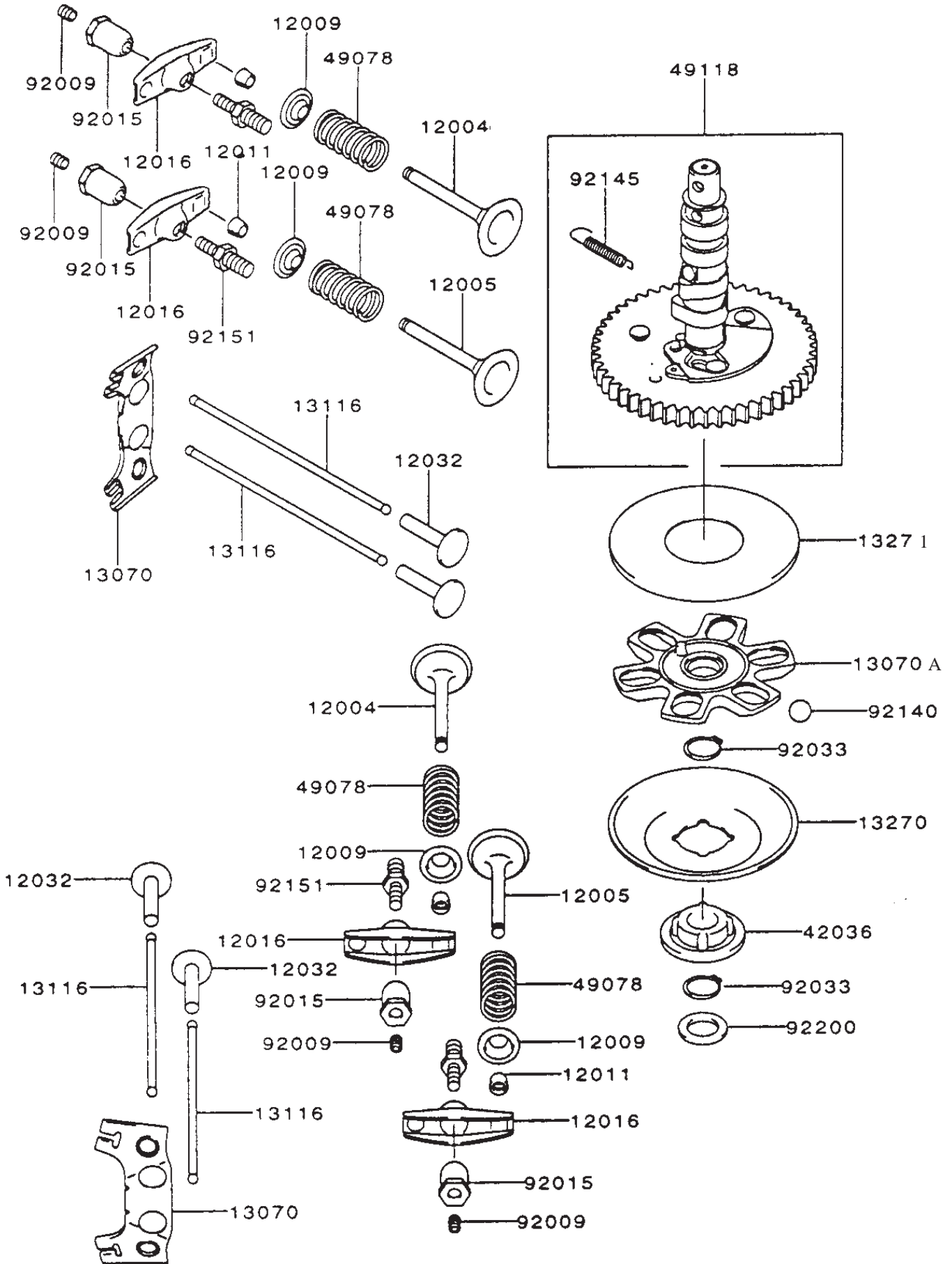


Cylinder/Crankcase Assembly Kawasaki FH451V-AS08

Ref. No.	Part No.	Qty.	Description
11004	11004-7005	2	Gasket-Head
11008	11008-7005	1	Head-Comp-Cylinder No. 1
11008A	11008-7006	1	Head-Comp-Cylinder No. 2
11022	11022-7003	2	Case-Rocker
11060	11060-7001	2	Gasket, Rocker Case
11060A	11060-7008	1	Gasket, Crankcase Cover
11060B	11060-7015	1	Gasket, Breather
14090	14090-7001	1	Cover, Breather
49015	49015-6223	1	Cover-Crankcase
49109	49109-7002	1	Element-Breather
49120	49120-6119	1	Crankcase-Comp
92033	92033-7003	1	Ring-Snap
92043	92043-7001	6	Pin
92049	92049-7001	4	Seal-Oil
92049A	92049-7002	1	Seal-Oil
92049B	92049-7004	1	Seal-Oil
92049C	92049-7005	1	Seal-Oil
130	130B0612	4	Bolt-Flanged
130A	130B0640	4	Bolt-Flanged
130B	130T0850	17	Bolt-Flanged
130C	130T0875	2	Bolt-Flanged
172	172G0818	4	Bolt-Stud
13271	13271-7016	1	Plate

Ref. No.	Part No.	Qty.	Description

Valve/Camshaft Assembly Kawasaki FH451V-AS08

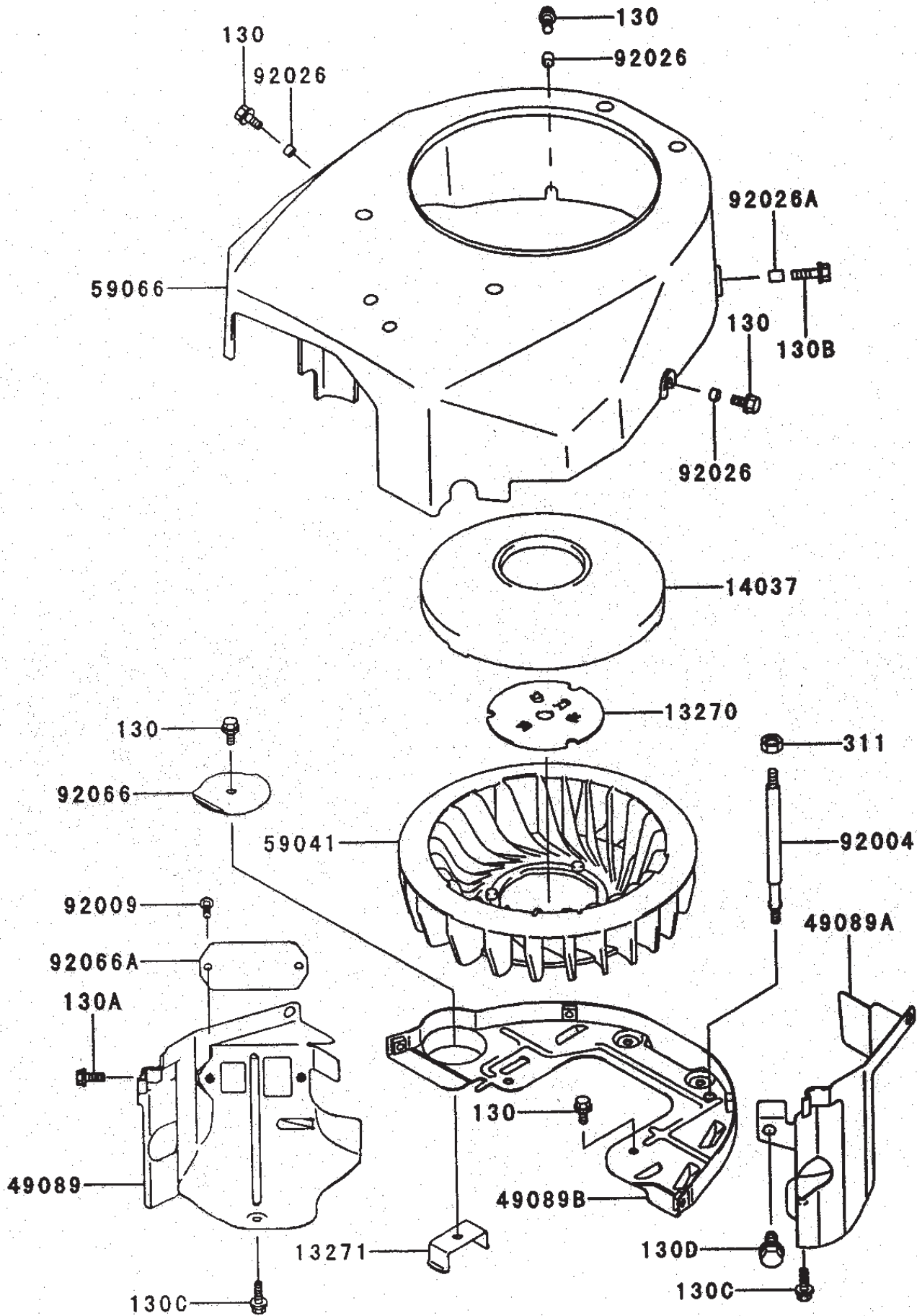


Valve/Camshaft Assembly Kawasaki FH451V-AS08

Ref. No.	Part No.	Qty.	Description
12004	12004-7001	2	Valve-Intake
12005	12005-7001	2	Valve-Exhaust
12009	12009-7001	4	Retainer-Valve Spring
12011	12011-2056	8	Collet
12016	12016-7001	4	Arm-Rocker
12032	12032-7001	4	Tappet
13070	13070-7001	2	Guide
13070A	13070-7004	1	Guide
13116	13116-2057	4	Rod-Push
13270	13270-7002	1	Plate
13271	13271-7007	1	Plate
42036	42036-7001	1	Sleeve
49078	49078-7001	4	Spring-Engine Valve
49118	49118-7002	1	Camshaft-Comp
92009	92009-2341	4	Screw
92015	92015-2253	4	Nut
92033	92033-7001	2	Ring-Snap
92140	92140-7002	6	Ball
92145	92145-7001	1	Spring
92151	92151-7001	4	Bolt
92200	92200-7001	1	Washer

Ref. No.	Part No.	Qty.	Description

Cooling-Equipment Assembly Kawasaki FH451V-AS08

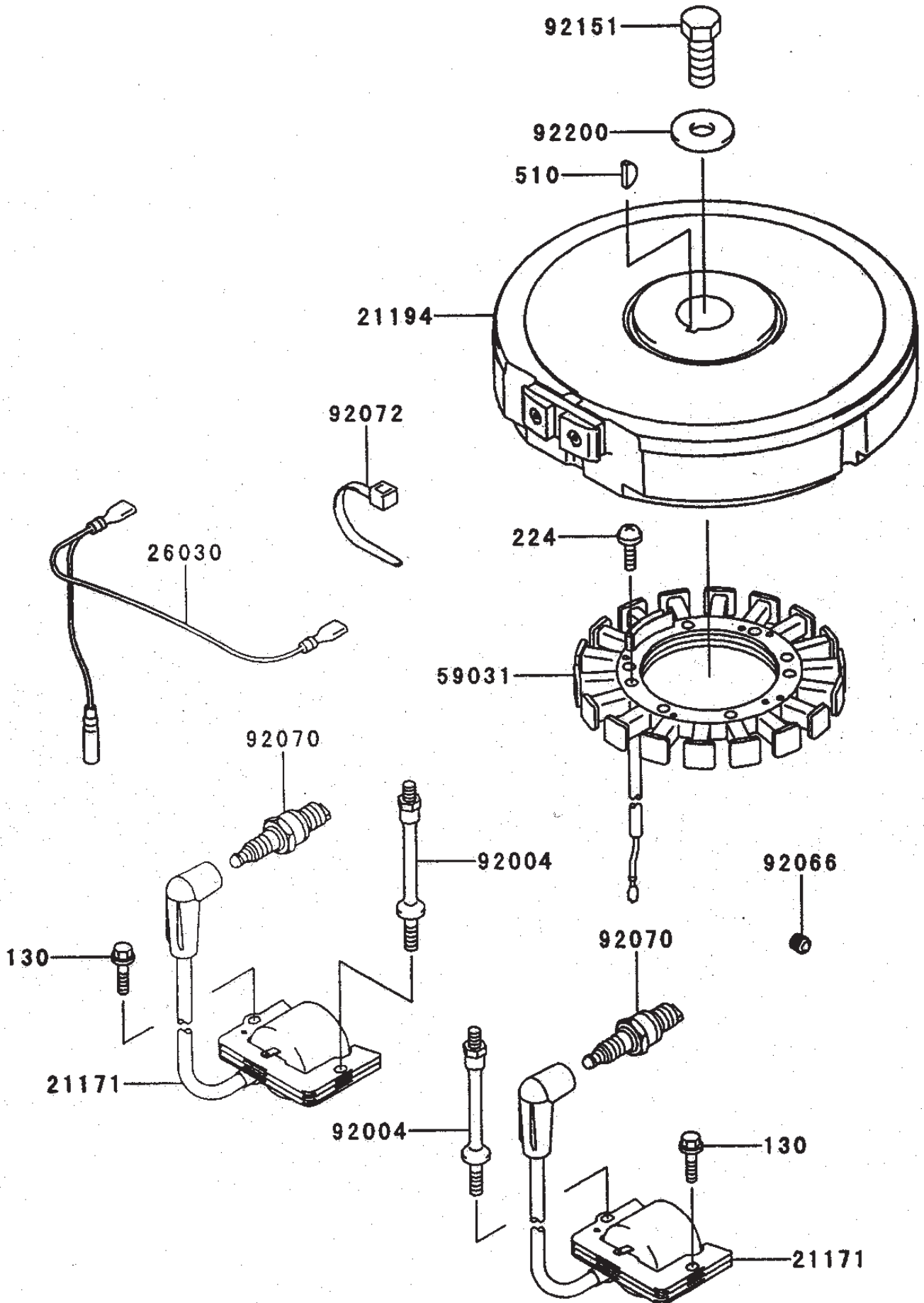


Cooling-Equipment Assembly Kawasaki FH451V-AS08

Ref. No.	Part No.	Qty.	Description
130	130B0612	6	Bolt-Flanged
130A	130B0616	2	Bolt-Flanged
130B	130B0620	1	Bolt-Flanged
130C	130B0625	2	Bolt-Flanged
130D	130B0816	1	Bolt-Flanged
13270	13270-7007	1	Plate
13271	13271-7002	1	Plate
14037	14037-7006-9H	1	Screen
311	311B0600	2	Nut-Hex
49089	49089-7001	1	Shroud-Engine
49089A	49089-7002	1	Shroud-Engine
49089B	49089-7003	1	Shroud-Engine
59041	59041-7001	1	Fan
59066	59066-7002	1	Housing-Fan
92004	92004-7006	2	Stud
92009	92009-2308	2	Screw
92026	92026-7001	3	Spacer, 6.2x7.9x5
92026A	92026-7003	1	Spacer, 6.5x7.9x10.5
92066	92066-7004	1	Plug
92066A	92066-7005	1	Plug

Ref. No.	Part No.	Qty.	Description

Electric-Equipment Assembly Kawasaki FH451V-AS08

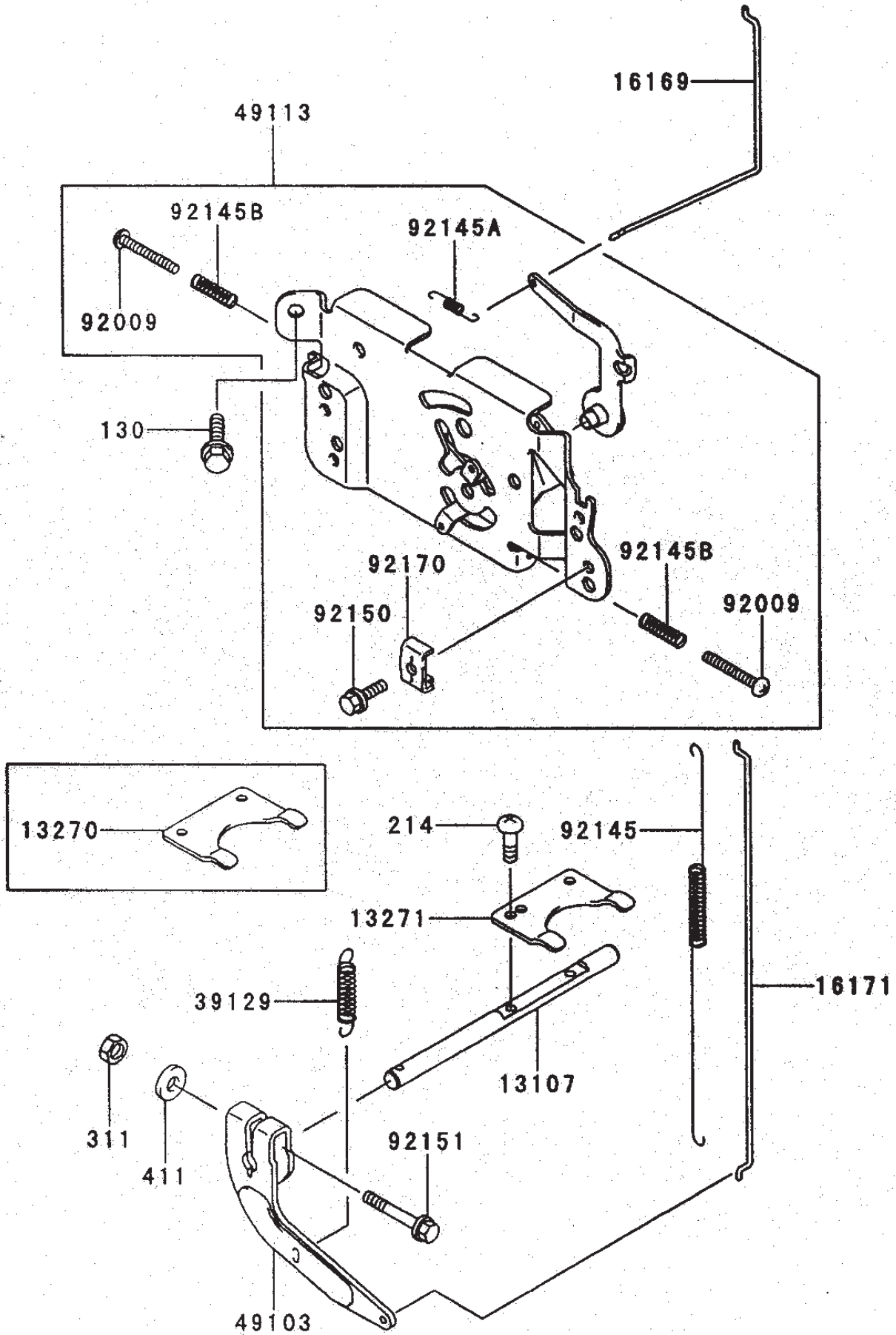


Electric-Equipment Assembly Kawasaki FH451V-AS08

Ref. No.	Part No.	Qty.	Description
21171	21171-7001	2	Coil-Assy-Ignition
21194	21194-7001	1	Flywheel-Comp
26030	26030-7001	1	Harness
59031	59031-7002	1	Coil-Charging
92004	92004-2147	2	Stud
92066	92066-7002	1	Plug
92070	92070-7003	2	Plug-Spark (RCJ8Y)
92072	92072-7003	2	Band
92151	92151-2097	1	Bolt, 12x30
92220	92220-7002	1	Washer
130	130B0620	2	Bolt-Flanged
224	224B0520	4	Screw-Pan-WP-Cros
510	510A5100	1	Key-Woodruff

Ref. No.	Part No.	Qty.	Description

Control-Equipment Assembly Kawasaki FH451V-AS08

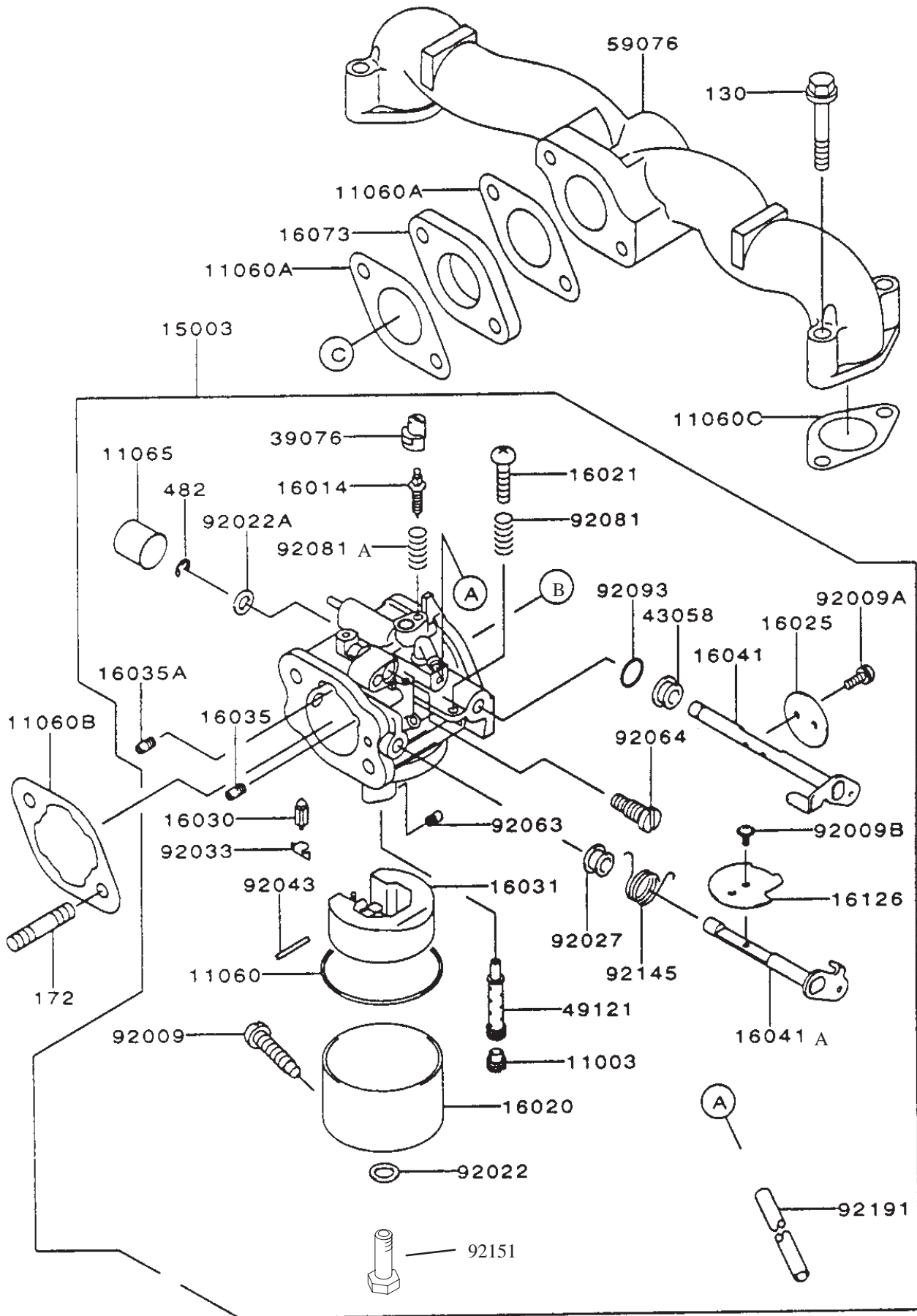


Control-Equipment Assembly Kawasaki FH451V-AS08

Ref. No.	Part No.	Qty.	Description
13107	13107-7002	1	Shaft
13270	13270-7006	1	Plate
13271	13271-7018	1	Plate
16169	16169-7001	1	Link-Choke
16171	16171-7001	1	Link
39129	39129-7003	1	Spring-Governor
49103	49103-7002	1	Arm-Governor
49113	49113-7005	1	Panel-Comp-Control
92009	92009-7002	2	Screw, 4x30
92145	92145-7003	1	Spring
92145A	92145-7004	1	Spring
92145B	92145-7005	1	Spring
92150	92150-2182	1	Bolt, 5x18
92151	92151-7006	1	Bolt, 6x30
92170	92170-7001	1	Clamp
130	130B0612	2	Bolt-Flanged
214	214B0408	2	Screw-Pan
311	311B0600	1	Nut-Hex
411	411B0600	1	Washer-Plain

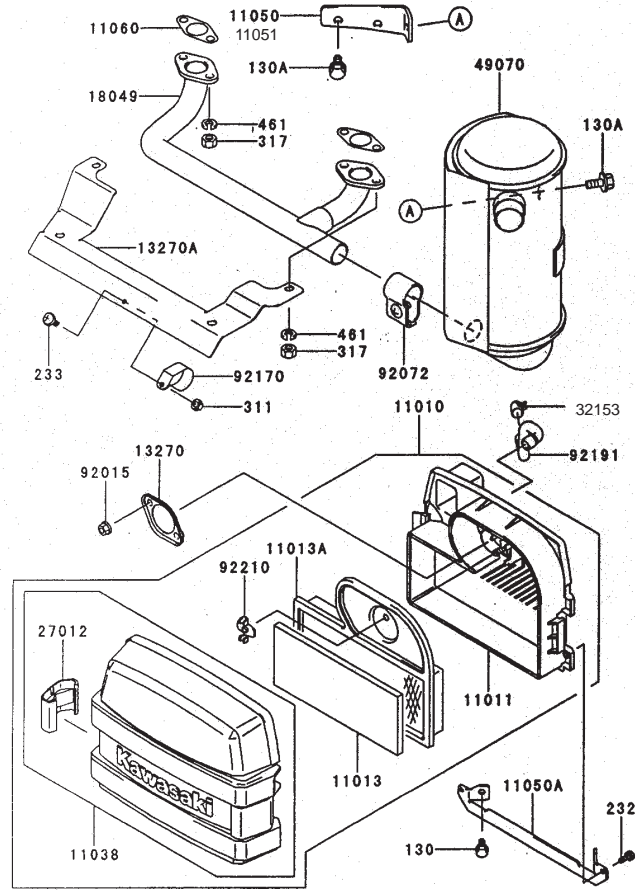
Ref. No.	Part No.	Qty.	Description

Carburetor Assembly Kawasaki FH451V-AS08



Carburetor Assembly Kawasaki FH451V-AS08

Ref. No.	Part No.	Qty.	Description	Ref. No.	Part No.	Qty.	Description
11003	11003-2105	1	Seat-Valve				
11060	11060-2406	1	Gasket				
11060A	11060-7003	2	Gasket, Insulator				
11060B	11060-7004	1	Gasket, Air Filter				
11060C	11060-7005	2	Gasket				
11065	11065-2061	1	Cap				
15003	15003-7017	1	Carburetor-Assy				
16014	16014-2080	1	Screw-Pilot Air				
16020	16020-2141	1	Chamber-Float				
16021	16021-2060	1	Screw-Throttlestop				
16025	16025-2193	1	Valve-Throttle, #130				
16030	16030-2067	1	Valve-Float				
16031	16031-2066	1	Float				
16035	16035-2060	1	Jet-Air, #1.7				
16035A	16035-2061	1	Jet-Air, #1.2				
16041	16041-7005	1	Shaft-Carburetor, Choke				
16041A	16041-7006	1	Shaft-Carburetor Throttle				
16073	16073-7001	1	Insulator				
16126	16126-7007	1	Valve				
39076	39076-2053	1	Limiter				
43058	43058-3716	1	Ring				
49121	49121-2222	1	Nozzle-Main				
59076	59076-7001	1	Manifold-Intake				
92009	92009-2015	1	Screw				
92009A	92009-2024	2	Screw				
92009B	92009-2081	2	Screw				
92022	92022-2231	1	Washer				
92022A	92022-2239	1	Washer				
92027	92027-2025	1	Collar				
92033	92033-2067	1	Ring-Snap				
92043	92043-2226	1	Pin				
92063	92063-2358	1	Jet-Main				
92064	92064-2125	1	Jet-Pilot				
92081	92081-2009	1	Spring				
92081A	92081-2256	1	Spring				
92093	92093-2002	1	Seal				
92145	92145-2061	1	Spring				
92151	92151-2092	1	Bolt				
92191	92191-7008	1	Tube				
130	130B0635	4	Bolt-Flanged				
172	172G0685	2	Bolt-Stud				
482	482L4000	1	Circlip-Type-E				

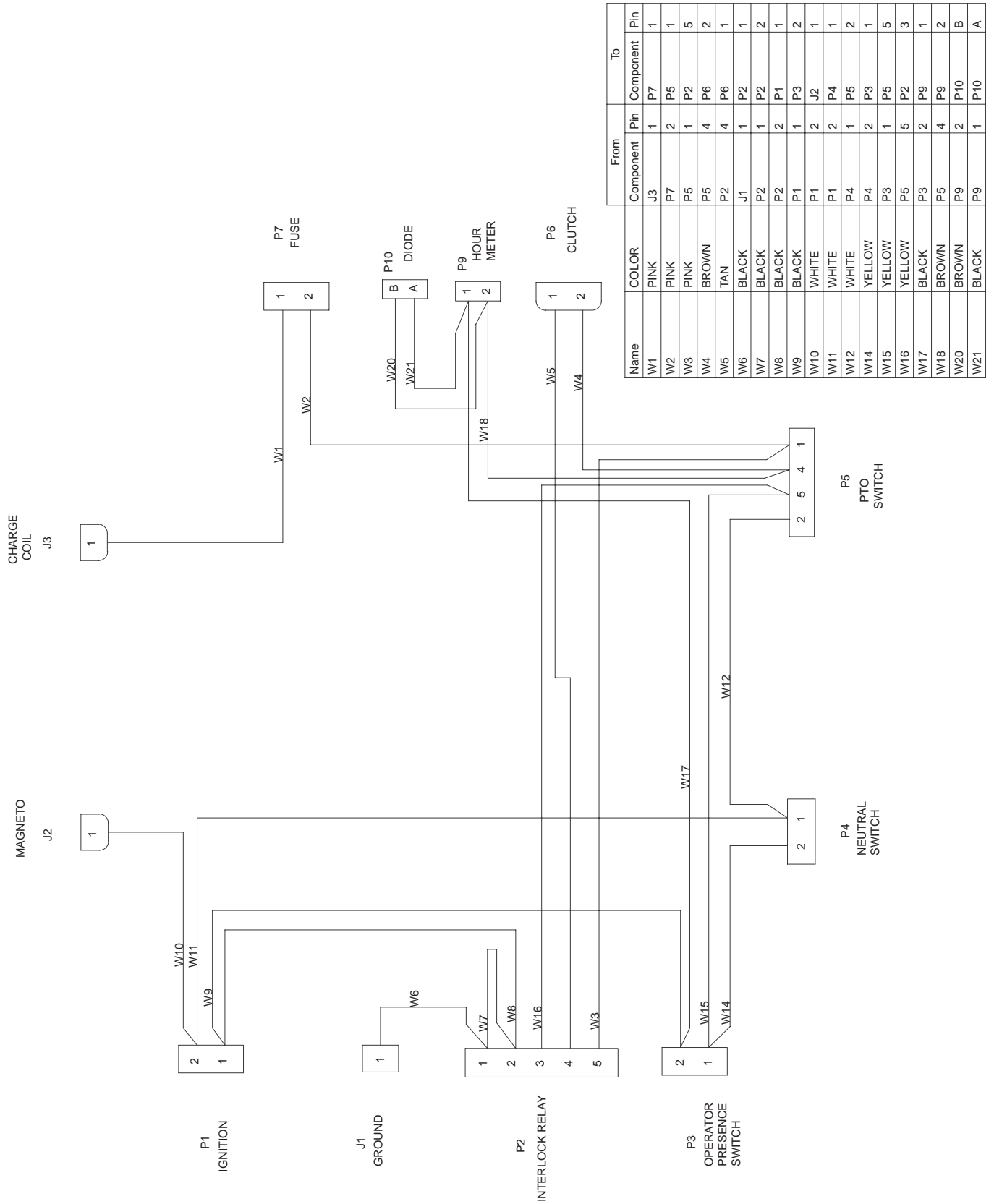


Air-Filter/Muffler Assembly Kawasaki FH451V-AS08

Ref. No.	Part No.	Qty.	Description
11010	11010-7001	1	Filter-Assy-Air
11011	11011-7001	1	Case-Air Filter
11013	11013-7001	1	Element-Air Filter
11013A	11013-7002	1	Element-Air Filter
11038	11038-7001	1	Case-Assy-Air Filter
11050	11050-7004	1	Bracket
11050A	11050-7006	1	Bracket
11051	11051-7005-9H	1	Bracket
11060	11060-7021	2	Gasket, Muffler
13270	13270-7001	1	Plate
13270A	13270-7008	1	Plate
18049	18049-7001	1	Pipe-Exhaust
27012	27012-7001	2	Hook, Air Filter
32153	32153-7001	1	Pipe
49070	49070-7002	1	Muffler-Comp
92072	92072-7002	1	Band
92015	92015-1193	2	Nut
92170	92170-7002	1	Clamp
92191	92191-7001	1	Tube
92210	92210-7004	1	Nut
130	130B0612	2	Bolt-Flanged
130A	130B0816	2	Bolt-Flanged
232	232B0514	2	Screw-Pan-WS
233	233B0416	1	Screw-Pan WP
311	311B0400	1	Nut-Hex
317	317R0800	4	Nut-Hex-Small

Ref. No.	Part No.	Qty.	Description
461	461F0800	4	Washer-Spring

Electrical Schematic



Name	COLOR	From Component	Pin	To Component	Pin
W1	PINK	J3	1	P7	1
W2	PINK	P7	2	P5	1
W3	PINK	P5	1	P2	5
W4	BROWN	P5	4	P6	2
W5	TAN	P5	4	P6	1
W6	BLACK	J1	1	P2	1
W7	BLACK	P2	1	P2	2
W8	BLACK	P2	2	P1	1
W9	BLACK	P1	1	P3	2
W10	WHITE	P1	2	J2	1
W11	WHITE	P1	2	P4	1
W12	WHITE	P4	1	P5	2
W14	YELLOW	P4	2	P3	1
W15	YELLOW	P3	1	P5	5
W16	YELLOW	P5	5	P2	3
W17	BLACK	P3	2	P9	1
W18	BROWN	P5	4	P9	2
W20	BROWN	P9	2	P10	B
W21	BLACK	P9	1	P10	A

